

**DIAMOND**  
PRODUCTS

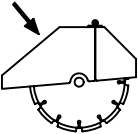
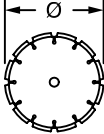
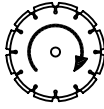
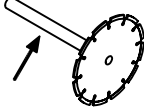

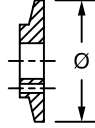
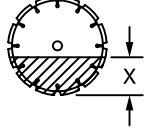
CONCRETE SAW  
PARTS LIST

**MODEL**  
**CC6560XLT**

February 2009

Part #1800838

**⚠ WARNING: NEVER EXCEED THE MAXIMUM RPM STAMPED ON BLADE!**  
 Excessive speed can cause blade breakage resulting in serious personal injury or death!

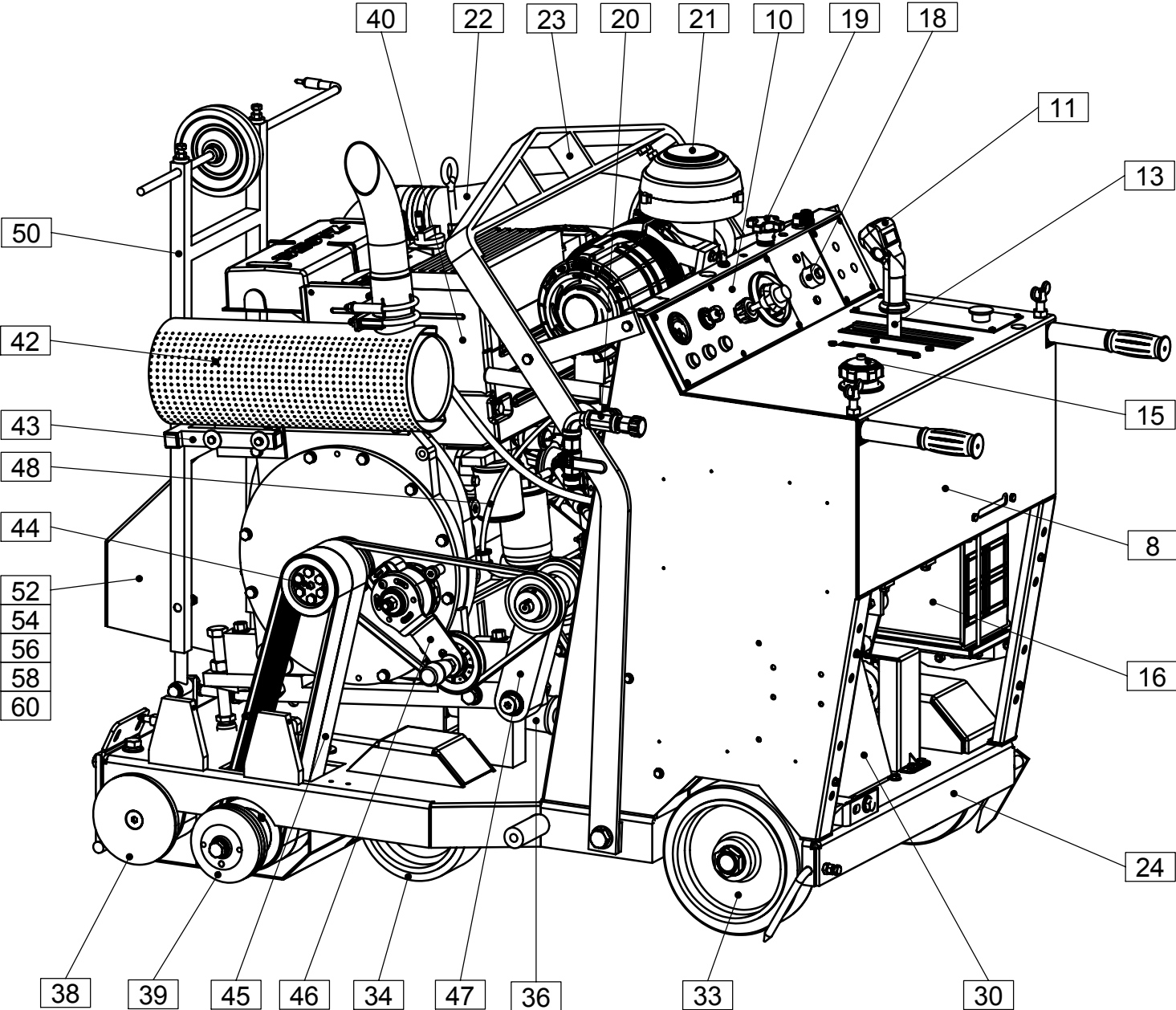
CC6560XLT RPM CHART							
GUARD SIZE	BLADE SIZE	RECOMMENDED BLADE RPM	BLADE SHAFT	ENGINE RPM	FLANGE SIZE	DEPTH OF CUT	
14"	14"	2,525	REAR	3,000	5"	4-1/4"	
20"	16"	2,525		3,000		5"	5-1/4"
	18"						6-1/4"
	20"						7-1/4"
26"	22"	2,400		2,850		6"	8-1/4"
	24"	2,200		2,600			9-1/4"
	26"	2,100	2,500	10-1/4"			
30"	26"	1,750	FRONT	3,000	6"	9-3/4"	
	28"					10-3/4"	
	30"					11-3/4"	
36"	32"	1,650		2,850		12-3/4"	
	34"	1,550		2,675		13-3/4"	
	36"	1,450		2,500		14-3/4"	
42"	38"	1,375	2,375	15-3/4"			
	40"	1,300	2,250	16-3/4"			
	42"	1,250	2,150	17-3/4"			
							

**⚠ WARNING ⚠**  
 The engine exhaust from this product contains chemicals known to the State of California to cause cancer, birth defects or other reproductive harm.

## Table of Contents

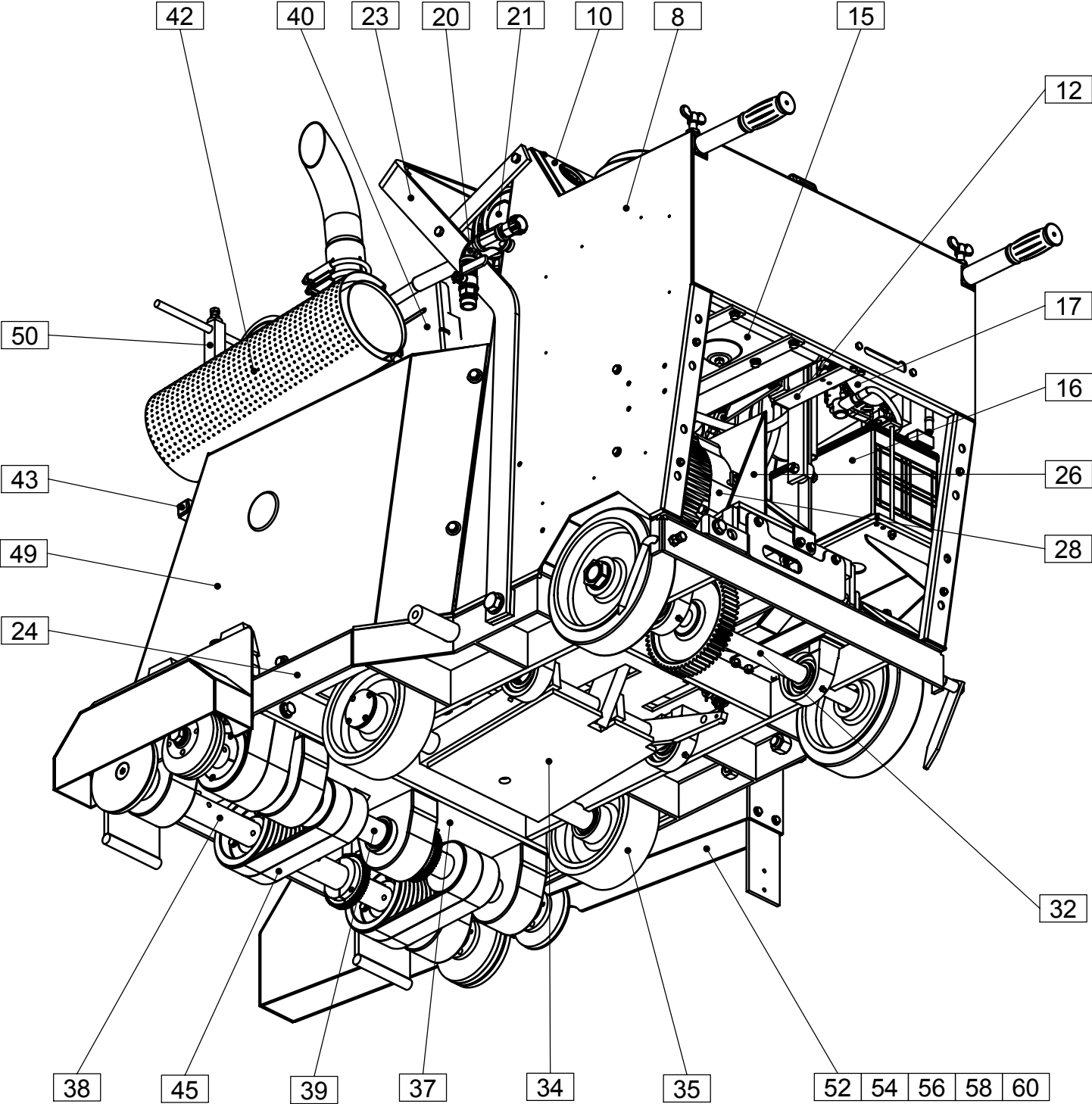
Pictorial Index.....	4,5	Blade Shaft Assembly (Front).....	38
Controls Legend.....	6	Blade Shaft Assembly (Rear).....	39
Quick Reference Service Filters / Belts.....	7	Engine Assembly.....	40,41
Frame Upright Assembly.....	8,9	Muffler Assembly.....	42
Instrument Panel Assembly.....	10	Pointer Stop Assembly.....	43
Control Grip Assembly.....	11	4” PTO Assembly .....	44
Control Lever Assembly (Eaton).....	12	Belt Drive Assembly.....	45
Control Lever Assembly (Sundstrand).....	13	Rotary Tensioner Assembly.....	46
Fuel Supply Assembly.....	14	Transmission Jackshaft Assembly.....	47
Fuel Tank Assembly.....	15	Throttle Cable Assembly.....	48
Battery Assembly.....	16	Belt Guard Assembly.....	49
Hydraulic Pump Assembly.....	17	Front Pointer Assembly.....	50
Depth Indicator Assembly.....	18	Notes.....	51
Depth Stop Assembly.....	19	20” Blade Guard Assembly.....	52,53
Water Supply Assembly.....	20	26” Blade Guard Assembly.....	54,55
Air Cleaner Assembly.....	21	30” Blade Guard Assembly.....	56,57
Air Intake Assembly.....	22	36” Blade Guard Assembly.....	58,59
Frame Lift Assembly.....	23	42” Blade Guard Assembly.....	60,61
Frame Base Assembly.....	24,25	Optional Water Pump Assembly.....	62
Rear Drive Assembly (Eaton).....	26,27	Optional Water Safety Switch Assembly.....	63
Eaton Transmission Assembly.....	28	Optional Spot Light Assembly.....	64
Linkage Assembly.....	29	Optional Magnetic Spot Light Assembly.....	65
Rear Drive Assembly (Sundstrand).....	30,31	Optional Glow Plug Assembly.....	66
Rear Axle Assembly (Eaton / Gear).....	32	Optional Speed Metering Valve Assembly.....	67
Rear Axle Assembly (Sundstrand / Chain)..	33	Optional Free Wheeling Clutch Assembly.....	68,69
Front Axle Assembly.....	34	Optional Parking Brake Assembly.....	70,71
Front Wheel Assembly.....	35	Wiring Diagram.....	72,73
Hydraulic Cylinder Assembly.....	36	Options Wiring Diagram.....	74
Belt Tensioner Assembly.....	37	Decal Group.....	75
		Warranty.....	76

Pictorial Page Index



**Shown with Sundstrand Transmission**

**Pictorial Page Index**



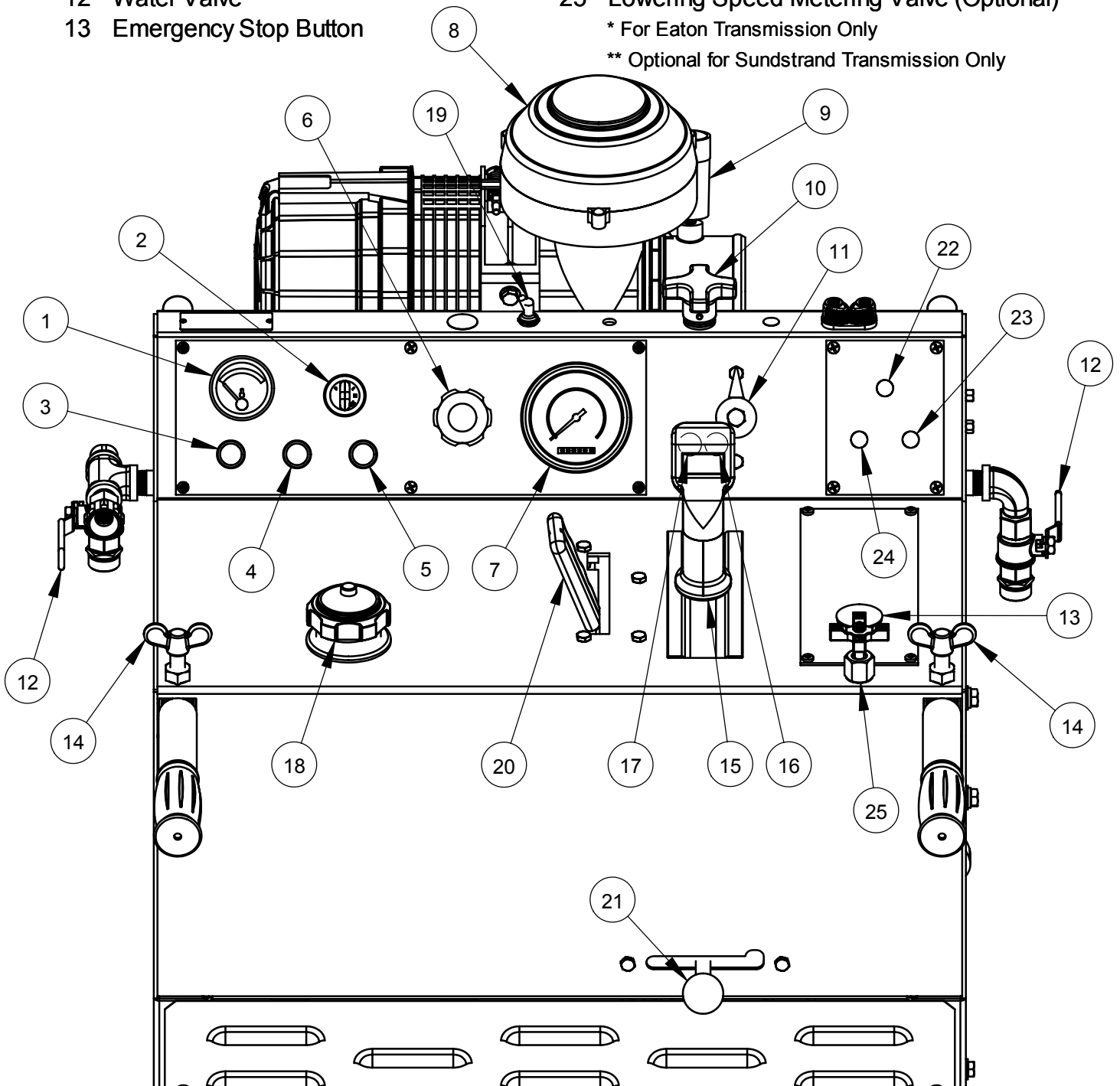
**Shown with Eaton Transmission**

## Controls Legend

- |                                     |   |
|-------------------------------------|---|
| 1 Engine Temperature Gauge          | 14 Handle Lock Knobs                        |
| 2 Ignition Switch                   | 15 Speed Control Lever                      |
| 3 Alternator Light                  | 16 Lower Pushbutton                         |
| 4 Oil Temperature Light             | 17 Raise Pushbutton                         |
| 5 Oil Pressure Light                | 18 Fuel Tank Cap                            |
| 6 Vernier Throttle Control          | 19 Blade Speed Switch                       |
| 7 Blade Tachometer / Hour Meter     | 20 Transmission Engagement Lever *          |
| 8 Pre-Cleaner                       | 21 Transmission Engagement Lever **         |
| 9 Air Cleaner Restriction Indicator | 22 Water Safety Switch (Optional)           |
| 10 Depth Stop Knob                  | 23 Spotlight Switch (Optional)              |
| 11 Cutting Depth Indicator          | 24 Water Pump Switch (Optional)             |
| 12 Water Valve                      | 25 Lowering Speed Metering Valve (Optional) |
| 13 Emergency Stop Button            |   |

\* For Eaton Transmission Only

\*\* Optional for Sundstrand Transmission Only



## Quick Reference Service Filters / Belts

<b>DP Part No.</b>	<b>Description</b>	<b>Manufacturer's Part No.</b>
2701775	Engine Oil Filter	(Deutz #1174416)
2701339	Engine Fuel Filter	(Deutz #1174482)
2501785	In-Line Fuel Tank Filter	(Wix #33007)
2501386	Outer Primary Air Filter	(Donaldson #P827653)
2501387	Inner Safety Air Filter	(Donaldson #P829332)
2501896	Blade Shaft to Blade Shaft Belt (4)	(Gates #5/3VX280)
2500268	Engine to Blade Shaft Belt (2)	(Gates #5/3VX500)
2501779	Sundstrand Transmission Belt	(Gates #AX29)
2501946	Eaton Transmission Belt	(Gates #AX39)
2501781	Engine to Jackshaft Belt	(Gates #AX42)



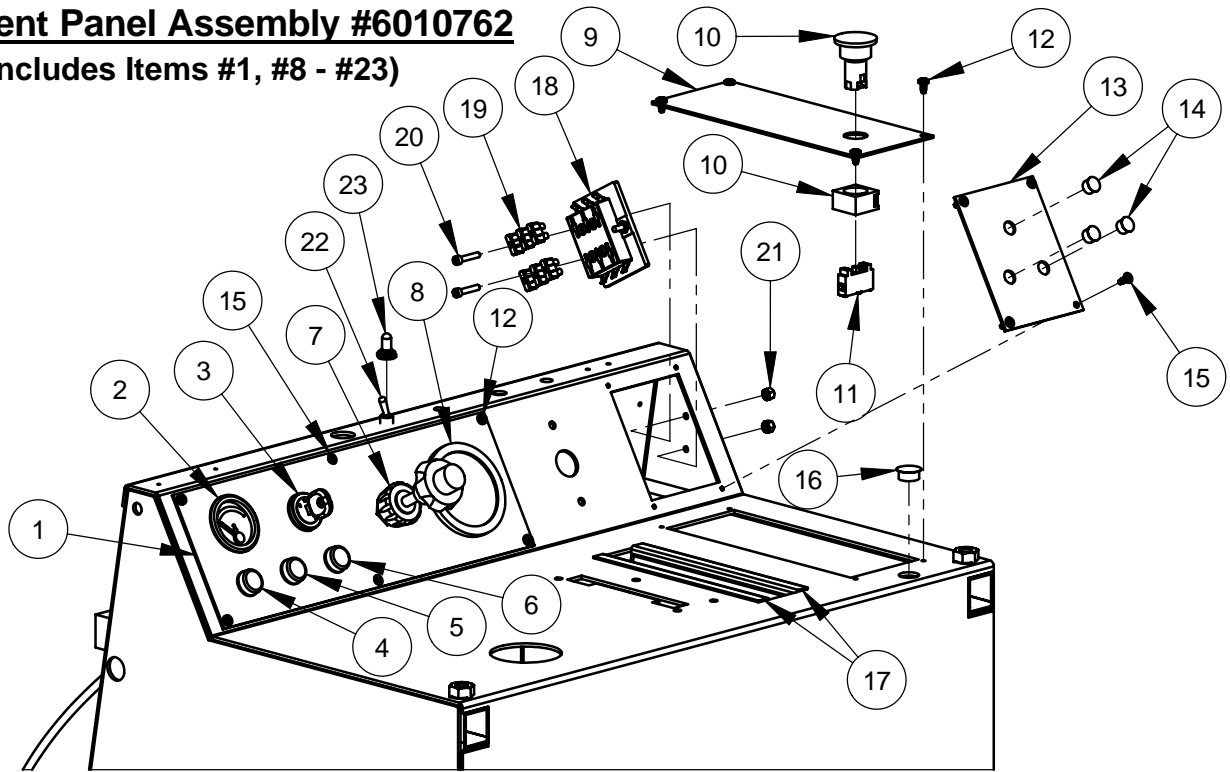


## Frame Upright Assembly #6010745

ITEM	PART NO.	QTY.	DESCRIPTION
1	6010687	1	Frame Upright Weldment
2	2900013	2	Cap Screw, Hex Hd., 3/8-16 x 1-1/4"
3	2900014	14	Flat Washer, 3/8" SAE
4	2900018	2	Lock Nut, 3/8-16 Nylon
5	2900499	4	Cap Screw, Hex Hd., 1/2-13 x 1-1/2"
6	2900058	4	Flat Washer, 1/2" SAE
7	2900026	4	Lock Nut, 1/2-13 Nylon
8	6010014	2	Handle Bar, 36" Long
9	2500636	2	Handle Grip
10	2501955	2	Handle Stop Grip
11	2900430	2	Hand Lock Knob, 1/2-13 x 1-1/2"
12	2503704	1	Wrench, 15/16" Combination
13	2501923	1	L-Key, 3/8" Hex
14	2500203	2	Grommet, 3/4" I.D.
15	2500549	1	Plug, 7/8" Hole
16	2501287	5	Plug, 7/16" Hole
17	1800169	1	Serial Number Plate, US
18	2900096	2	Rivet, 3/32" Dia.
19	1800377	1	Serial Number Plate, CE
20	2900287	2	Rivet, 1/8" Dia.
21	2501427	1	Cable Cleat
22	2900483	2	Tap Screw, Flat Hd., #10-24 x 1"
23	6010166	1	Gate Cover Bar
24	2900144	2	Cap Screw, Hex Hd., 1/4-20 x 3/4"
25	2900010	2	Lock Nut, 1/4-20 Nylon
26	6013042	1	Saw Weight, 57 Pound
27	2900521	4	Tap Bolt, Hex Hd., 3/8-16 x 2-1/2"
28	2900006	8	Lock Washer, 3/8" Split
29	2900033	8	Hex Nut, 3/8-16

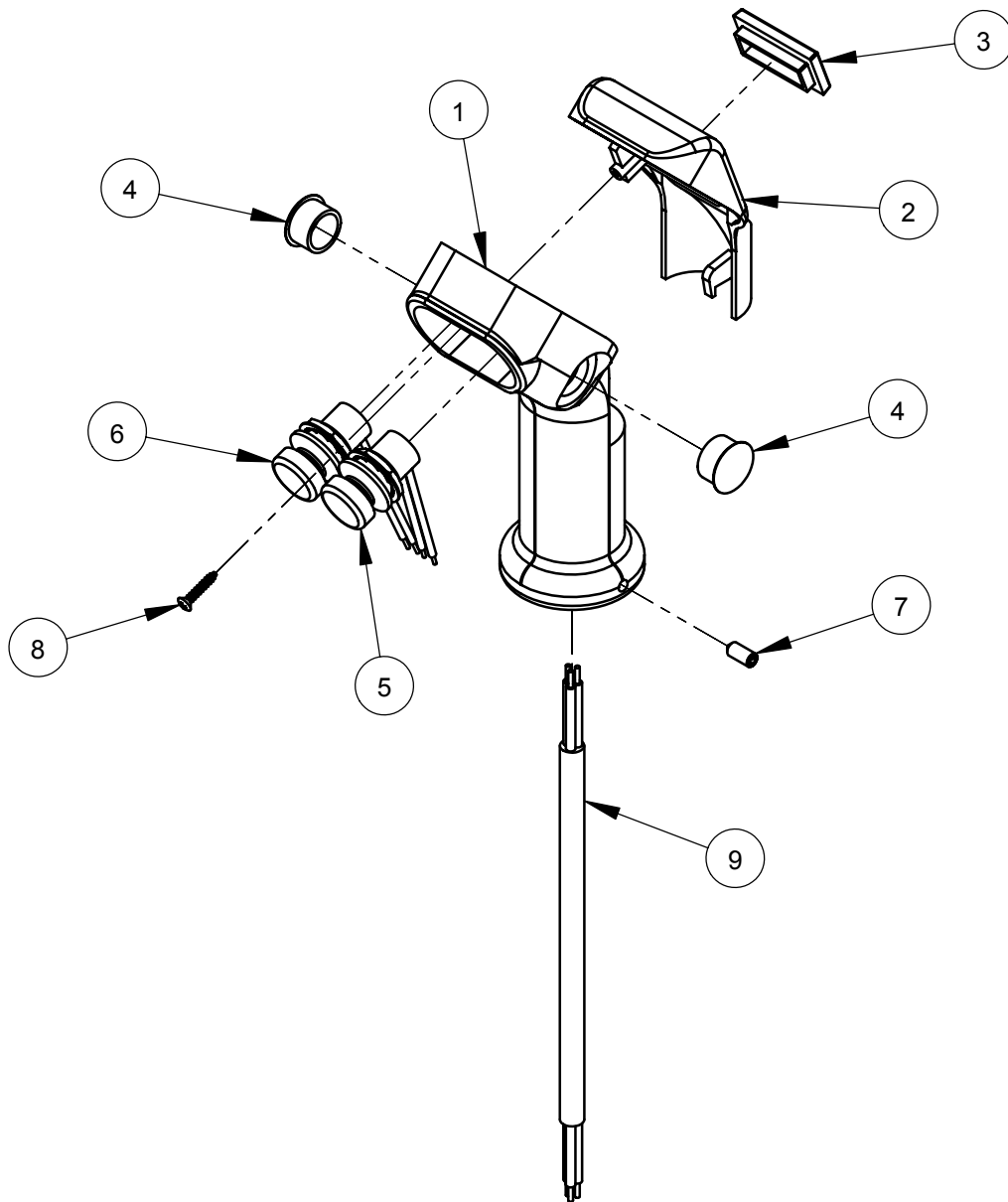
# Instrument Panel Assembly #6010762

(Includes Items #1, #8 - #23)



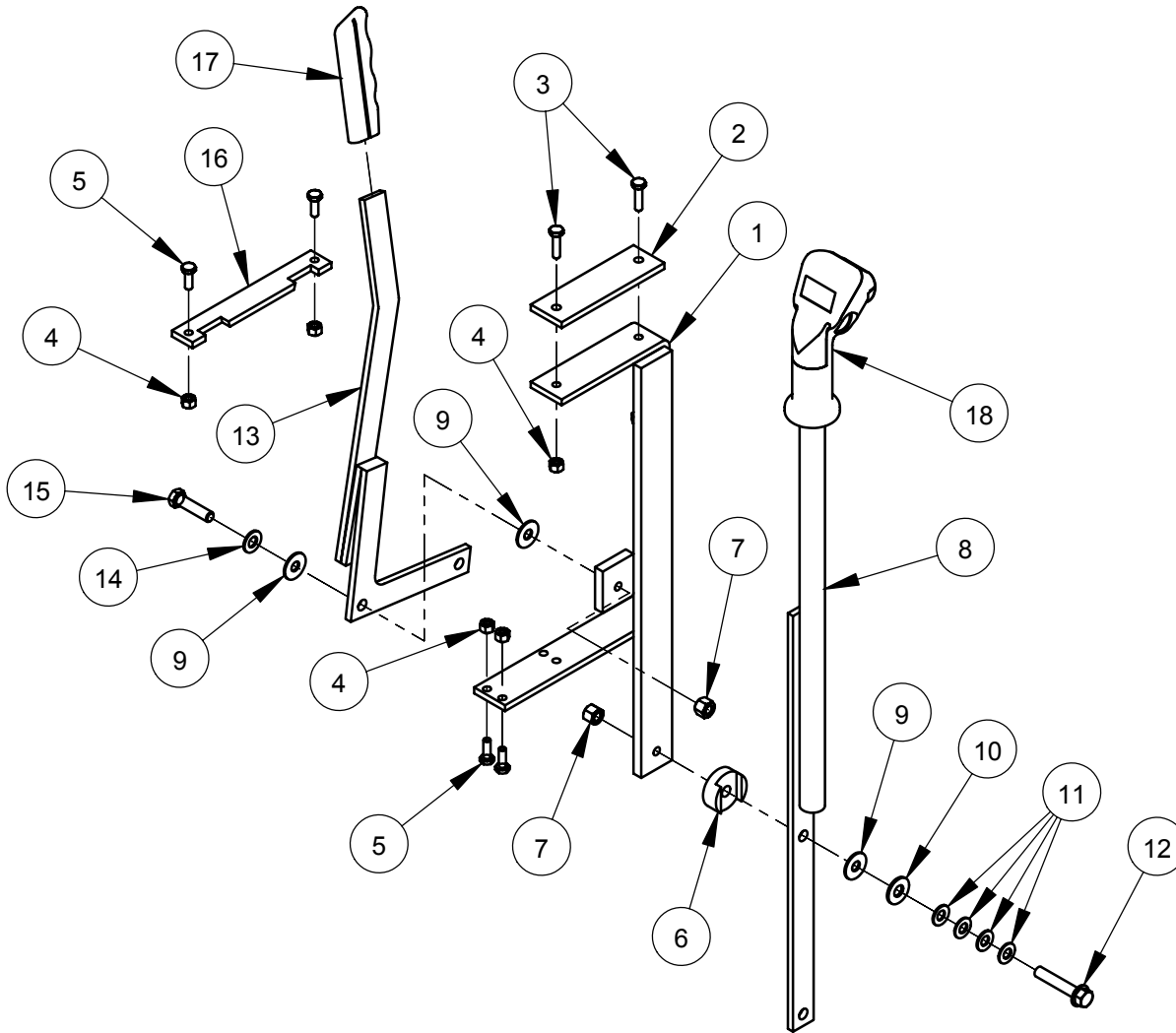
ITEM	PART NO.	QTY.	DESCRIPTION
1	6013093	1	Gauge Panel
2	2703192	1	Temperature Gauge, Pricol
3	2703194	1	Ignition Switch & Key
	2703195	1	Ignition Key Only, Double Cut
4	2700785	1	Alternator Light
5	2700787	1	Oil Temperature Light
6	2700786	1	Oil Pressure Light
7	2500376	1	Vernier Throttle Cable
8	6010416	1	Tach/Hour Meter (VDO) Calibrated
	2800611	2	Light Socket
	2800612	2	Light Bulb, Wedge Base
9	6010019	1	Hydraulic Pump Cover Plate
10	2800461	1	Emergency Stop Button
11	2800462	1	Contact Block, N.C.
12	2900021	8	Tap Screw, Pan Hd., #10-24 x 3/8"
13	6010098	1	Switch Plate
14	2500204	3	Plug, 1/2" Hole
15	2900445	6	Tap Screw, Flat Hd., #10-24 x 1/2"
16	2500463	1	Plug, 3/4" Hole
17	6010101	2	Edge Trim
18	2800388	1	Fuse Panel, 6 Circuit
19	2800389	6	Fuse, 10 Amp Red ATO/ATC
20	2900913	2	Cap Screw, Soc. Hd., #10-24 x 1"
21	2900017	2	Lock Nut, #10-24 Nylon
22	2800308	1	Toggle Switch On/On
23	2800063	1	Switch Boot

## Control Grip Assembly #6010319



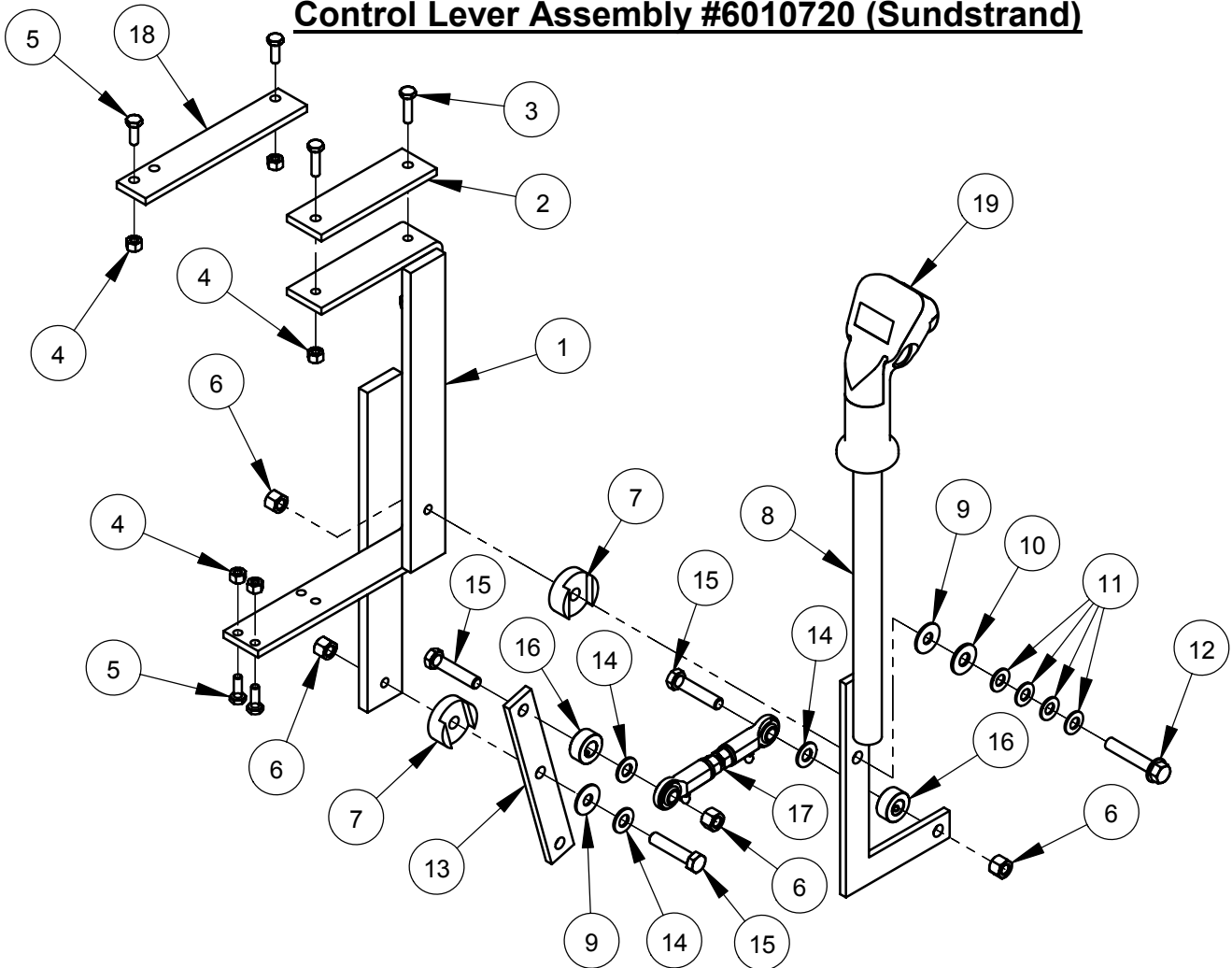
ITEM	PART NO.	QTY.	DESCRIPTION
1	2501280	1	Control Grip Body
2	2501281	1	Control Grip Cover
3	2500644	1	Plug, Rectangular
4	2500694	2	Plug, 5/8" Hole
5	2800372	1	Pushbutton Switch, Raise
6	2800373	1	Pushbutton Switch, Lower
7	2900453	1	Set Screw, Soc. Hd., M5 x 12mm
8	2900452	1	Machine Screw, Oval Hd., #4 x 5/8"
9	2800393	1	Harness, Hydraulic Pump

## Control Lever Assembly #6010719 (Eaton)



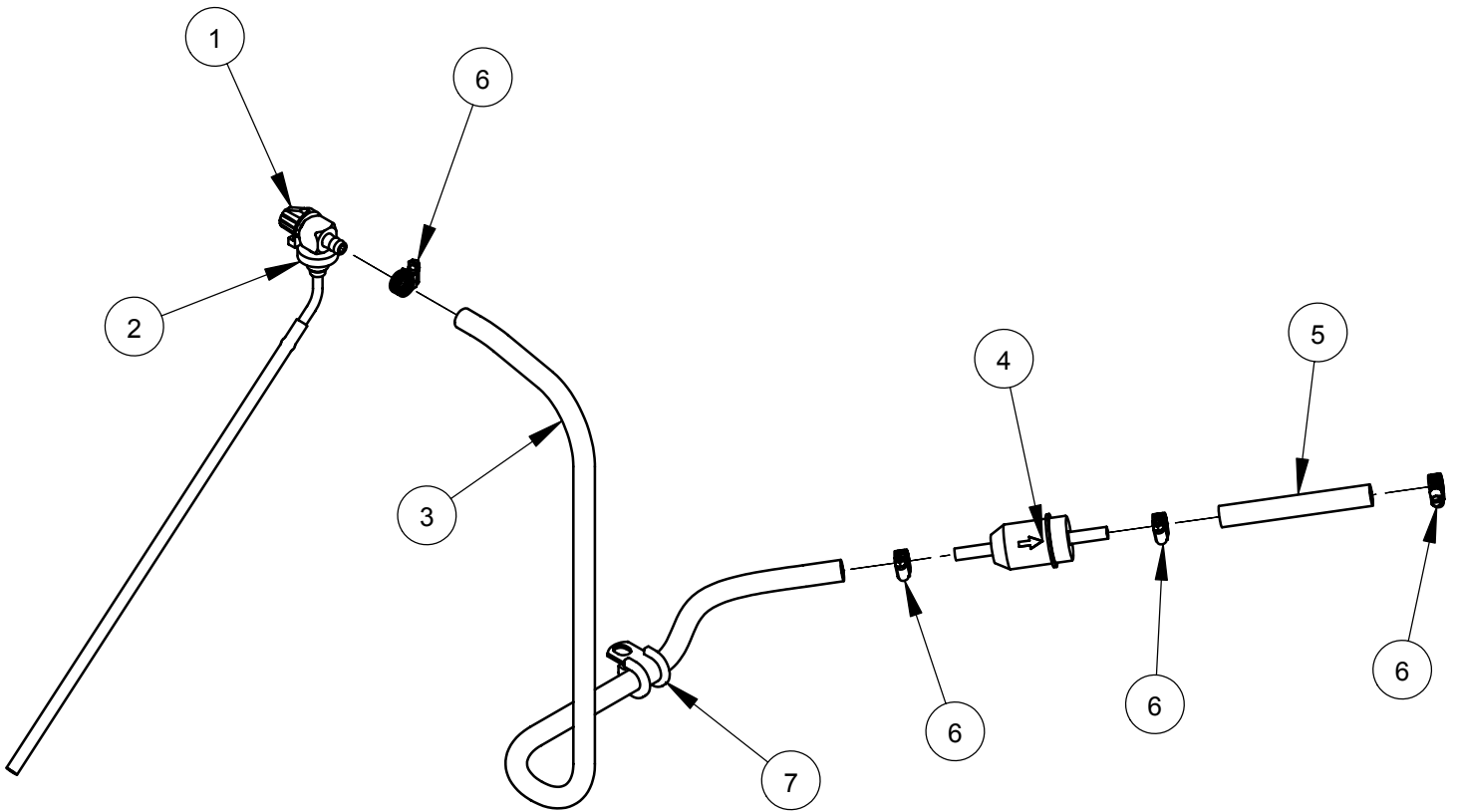
ITEM	PART NO.	QTY.	DESCRIPTION
1	6010056	1	Lever Support Weldment
2	2501339	1	Rubber Support Mount
3	2900008	2	Cap Screw, Hex Hd., 1/4-20 x 1"
4	2900010	6	Lock Nut, 1/4-20 Nylon
5	2900144	4	Cap Screw, Hex Hd., 1/4-20 x 3/4"
6	6010055	1	Friction Spacer
7	2900018	2	Lock Nut, 3/8-16 Nylon
8	6010314	1	Speed Control Lever
9	2900153	3	Friction Washer, 3/8"
10	2900473	1	Flat Washer, 3/8" USS
11	2900474	4	Belleville Washer, 3/8"
12	2900472	1	Cap Screw, Hex Flange Hd., 3/8-16 x 2"
13	6010057	1	Engagement Lever Weldment
14	2900014	1	Flat Washer, 3/8" SAE
15	2900029	1	Cap Screw, Hex Hd., 3/8-16 x 1-1/2"
16	6010058	1	Gate Plate
17	2500002	1	Lever Grip
18	6010319	1	Control Grip Assembly

## Control Lever Assembly #6010720 (Sundstrand)



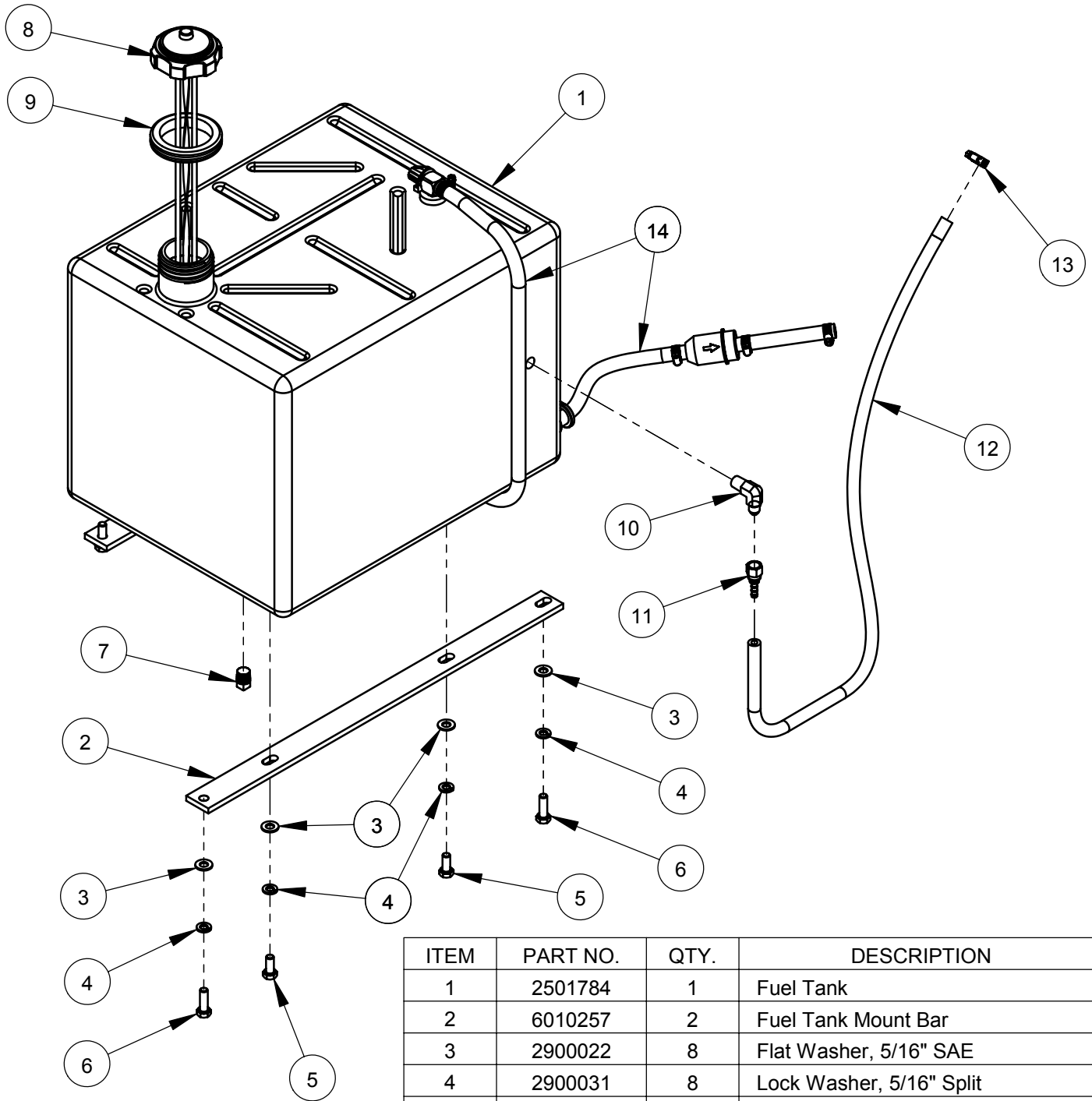
ITEM	PART NO.	QTY.	DESCRIPTION
1	6010122	1	Lever Support Weldment
2	2501339	1	Rubber Support Mount
3	2900008	2	Cap Screw, Hex Hd., 1/4-20 x 1"
4	2900010	6	Lock Nut, 1/4-20 Nylon
5	2900144	4	Cap Screw, Hex Hd., 1/4-20 x 3/4"
6	2900018	4	Lock Nut, 3/8-16 Nylon
7	6010055	2	Friction Spacer
8	6010315	1	Speed Control Lever
9	2900153	2	Friction Washer, 3/8"
10	2900473	1	Flat Washer, 3/8" USS
11	2900474	4	Belleville Washer, 3/8"
12	2900472	1	Cap Screw, Hex Flange Hd., 3/8-16 x 2"
13	6010123	1	Linkage Lever
14	2900014	3	Flat Washer, 3/8" SAE
15	2900047	3	Cap Screw, Hex Hd., 3/8-16 x 1-3/4"
16	2500007	2	Set Collar, 1/2" with Set Screw
17	6010702	1	Linkage Assembly 4-1/4"
18	6010166	1	Gate Cover Bar
19	6010319	1	Control Grip Assembly

## Fuel Supply Assembly #6010699



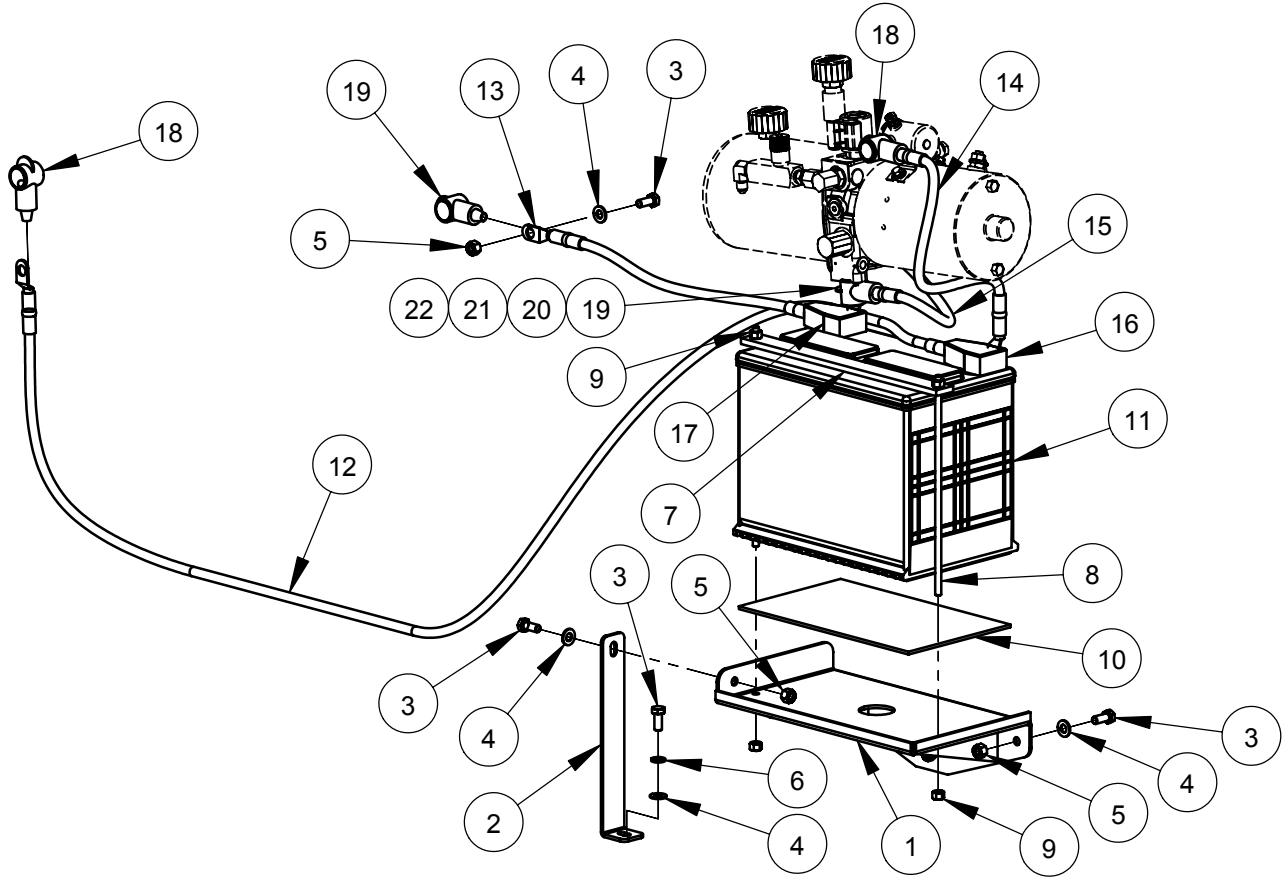
ITEM	PART NO.	QTY.	DESCRIPTION
1	2501777	1	Fuel Valve w/Pick-Up
2	2501215	1	Bushing, Rubber, Tank
3	6010693	1	Fuel Supply Hose, 5/16" I.D. x 30"
4	2501785	1	Filter, Diesel Fuel
5	6013095	1	Fuel Line Hose, 5/16" I.D. x 4"
6	3200062	4	Hose Clamp #4
7	2501434	1	Hose Clamp, 1/2" x 3/4" Wide

## Fuel Tank Assembly #6010700



ITEM	PART NO.	QTY.	DESCRIPTION
1	2501784	1	Fuel Tank
2	6010257	2	Fuel Tank Mount Bar
3	2900022	8	Flat Washer, 5/16" SAE
4	2900031	8	Lock Washer, 5/16" Split
5	2900019	4	Cap Screw, Hex Hd., 5/16-18 x 3/4"
6	2900138	4	Cap Screw, Hex Hd., 5/16-18 x 1"
7	3200206	1	Pipe Plug, 1/4" NPT
8	2500649	1	Fuel Tank Cap
9	2500205	1	Fuel Tank Grommet
10	3200057	1	Elbow, 1/4" M. Pipe to 1/4" M. JIC
11	3200091	1	Fitting, 1/4" F. JIC to 1/4" Push Lock
12	6010103	1	Fuel Return Hose, 1/4" I.D. x 32"
13	3200062	1	Hose Clamp #4
14	6010699	1	Fuel Supply Assembly

## Battery Assembly #6010721

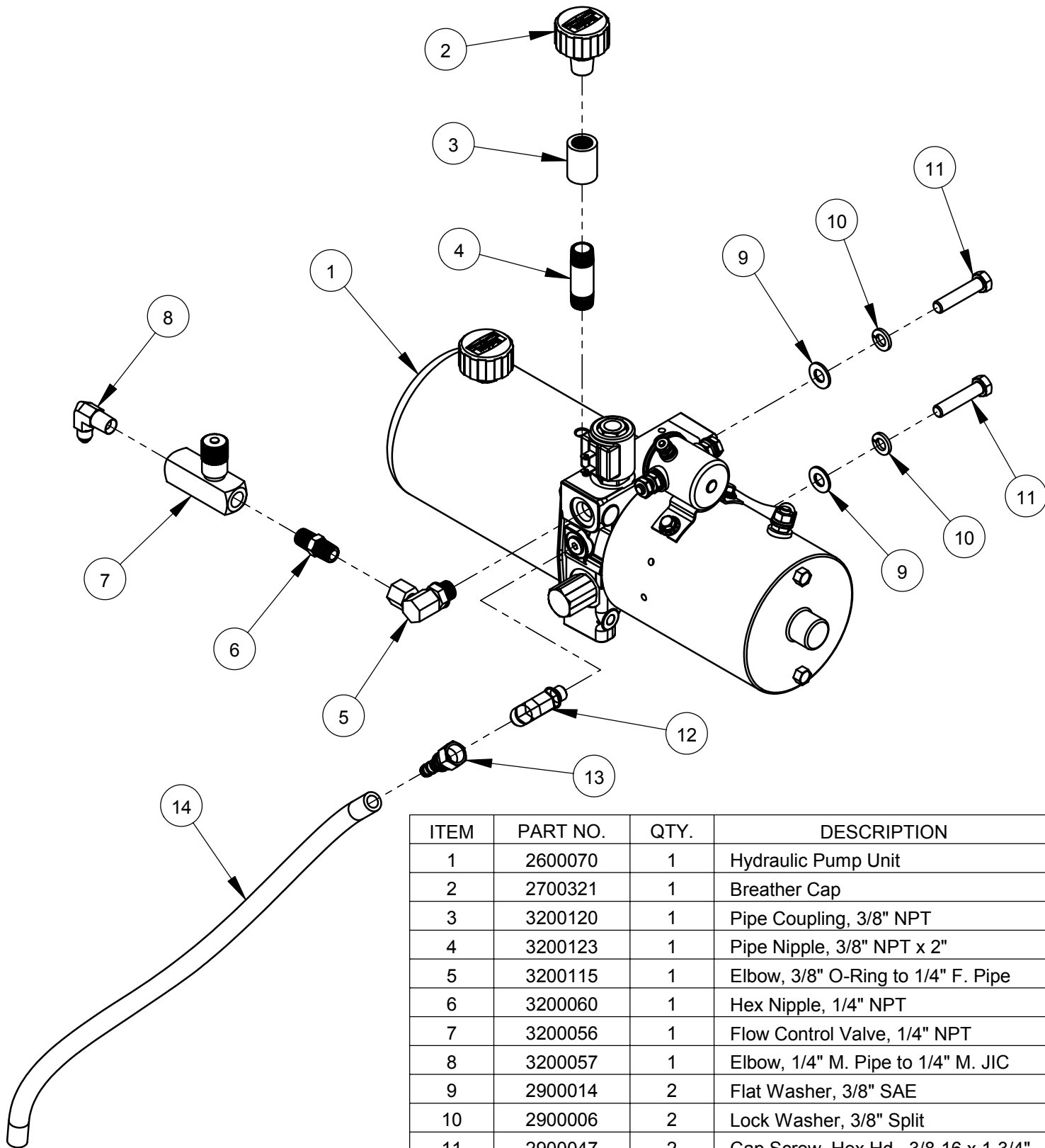


ITEM	PART NO.	QTY.	DESCRIPTION
1	6010670	1	Battery Platform
2	6010554	1	Battery Support Brace
3	2900019	6	Cap Screw, Hex Hd., 5/16-18 x 3/4"
4	2900022	6	Flat Washer, 5/16" SAE
5	2900039	5	Lock Nut, 5/16-18 Nylon
6	2900031	1	Lock Washer, 5/16" Split
7	6010017	1	Battery Top Brace
8	6010344	2	Rod, 1/4-20 x 9-1/2"
9	2900010	4	Lock Nut, 1/4-20 Nylon
10	6010016	1	Battery Pad
11	2800465	1	Battery, 12 Volt Group Size 24
12	2800073	1	Battery Cable, Positive (Red)
13	2800072	1	Battery Cable, Negative (Black)
14	2800095	1	Battery Cable, 14" Positive (Red)
15	2800182	1	Battery Cable, 14" Negative (Black)
16	2800256	1	Battery Boot, Large (Red)
17	2800257	1	Battery Boot, Large (Black)
18	2800197	2	Battery Boot, Small (Red)
19	2800198	2	Battery Boot, Small (Black)
20	2900014	1	Flat Washer, 3/8" SAE
21	2900006	1	Lock Washer, 3/8" Split
22	2900196	1	Cap Screw, Hex Hd., 3/8-16 x 3/4"



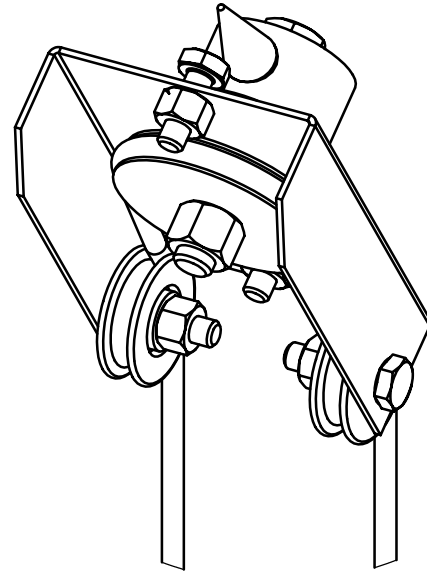
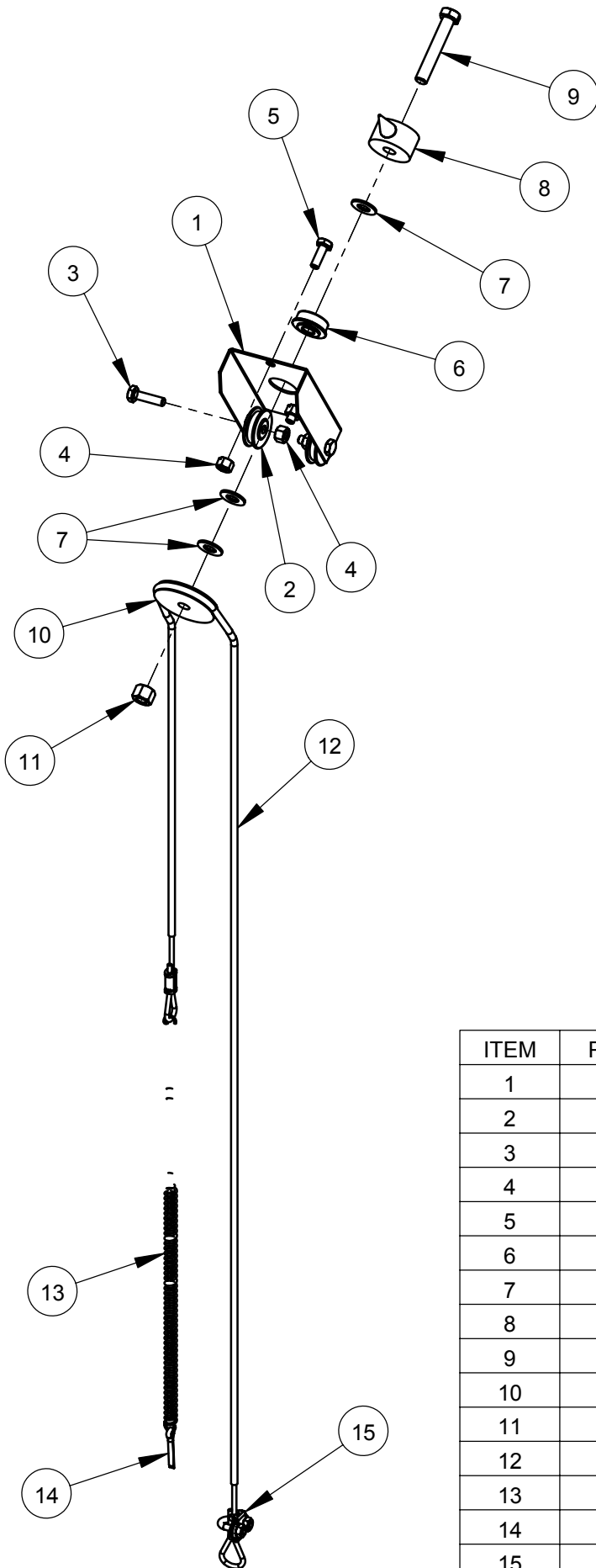
## Hydraulic Pump Assembly #6010213

(Includes Items #1 - #11)



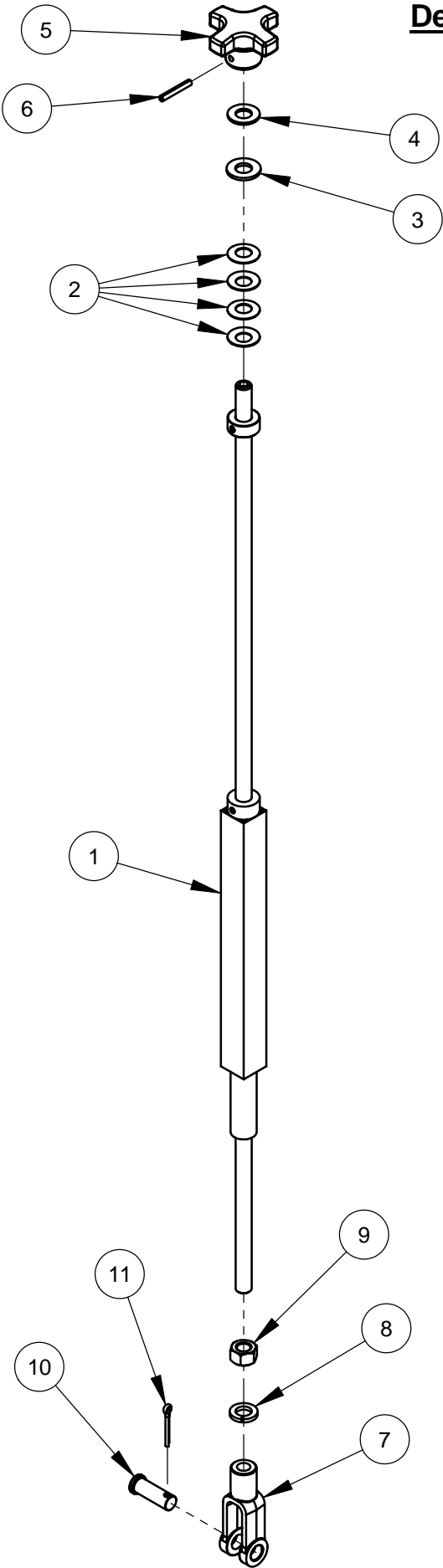
ITEM	PART NO.	QTY.	DESCRIPTION
1	2600070	1	Hydraulic Pump Unit
2	2700321	1	Breather Cap
3	3200120	1	Pipe Coupling, 3/8" NPT
4	3200123	1	Pipe Nipple, 3/8" NPT x 2"
5	3200115	1	Elbow, 3/8" O-Ring to 1/4" F. Pipe
6	3200060	1	Hex Nipple, 1/4" NPT
7	3200056	1	Flow Control Valve, 1/4" NPT
8	3200057	1	Elbow, 1/4" M. Pipe to 1/4" M. JIC
9	2900014	2	Flat Washer, 3/8" SAE
10	2900006	2	Lock Washer, 3/8" Split
11	2900047	2	Cap Screw, Hex Hd., 3/8-16 x 1-3/4"
12	3200116	1	Elbow, 1/4" O-Ring to 3/8" M. JIC
13	3200046	1	Fitting, 3/8" F. JIC to 3/8" Push Lock
14	6010059	1	Clear Hose, 3/8" I.D. x 19"

## Depth Indicator Assembly #6010214



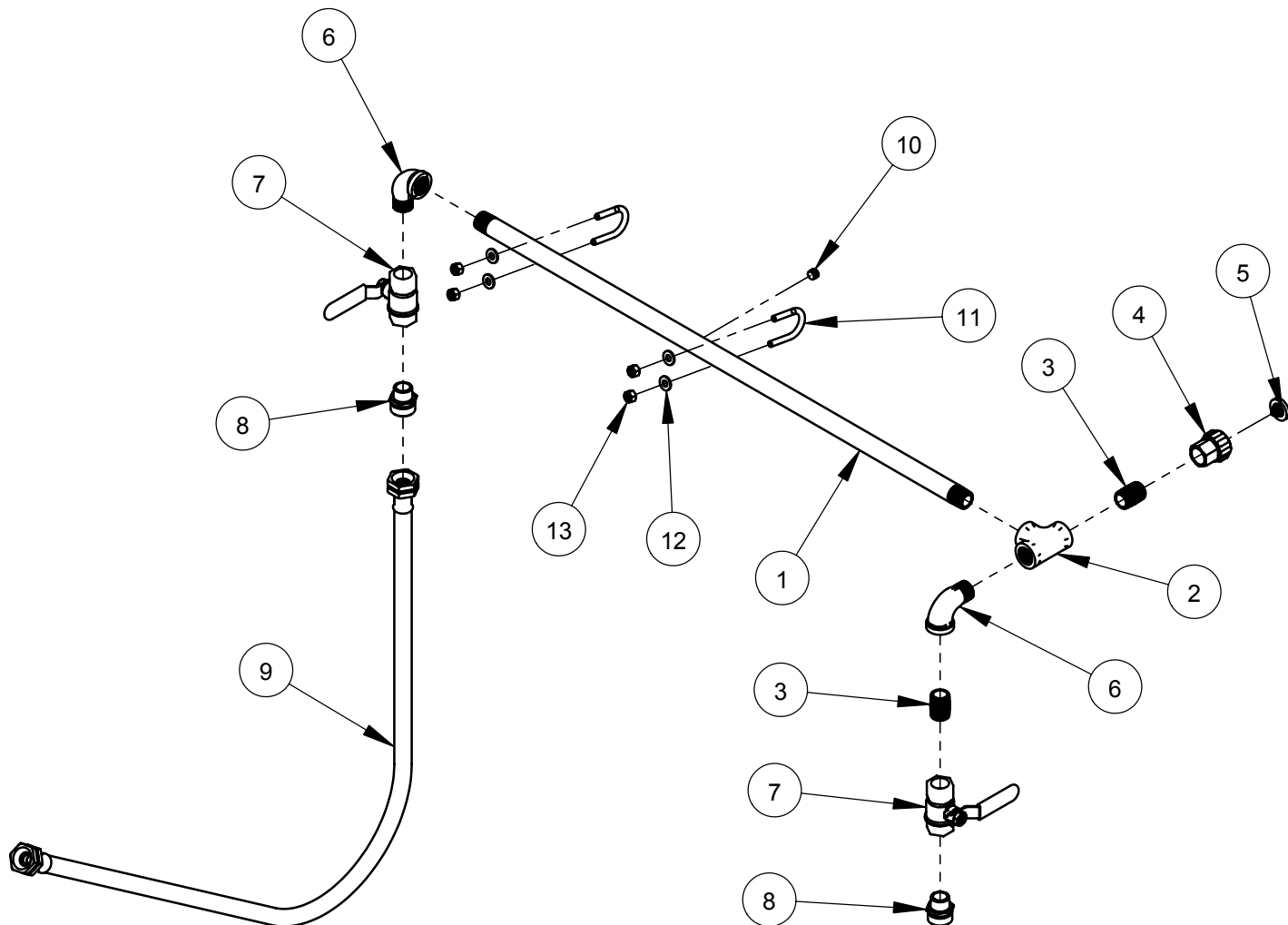
ITEM	PART NO.	QTY.	DESCRIPTION
1	6010092	1	Depth Indicator Mount Bracket
2	2500155	2	Cable Pulley, 1-1/4"
3	2900008	2	Cap Screw, Hex Hd., 1/4-20 x 1"
4	2900010	4	Lock Nut, 1/4-20 Nylon
5	2900144	2	Cap Screw, Hex Hd., 1/4-20 x 3/4"
6	2500145	1	Flange Bearing, 3/8"
7	2900014	3	Flat Washer, 3/8" SAE
8	6010091	1	Depth Indicator Pointer
9	2900079	1	Cap Screw, Hex Hd., 3/8-16 x 2-1/4"
10	6010093	1	Cable Pulley, 2"
11	2900018	1	Lock Nut, 3/8-16 Nylon
12	6010094	1	Depth Indicator Cable with Crimp, 48"
13	2500196	1	Spring, 3/8" x 15"
14	2900055	1	Cotter Pin, 3/16" x 1"
15	2500214	1	Cable Clamp

**Depth Stop Assembly #6010215**



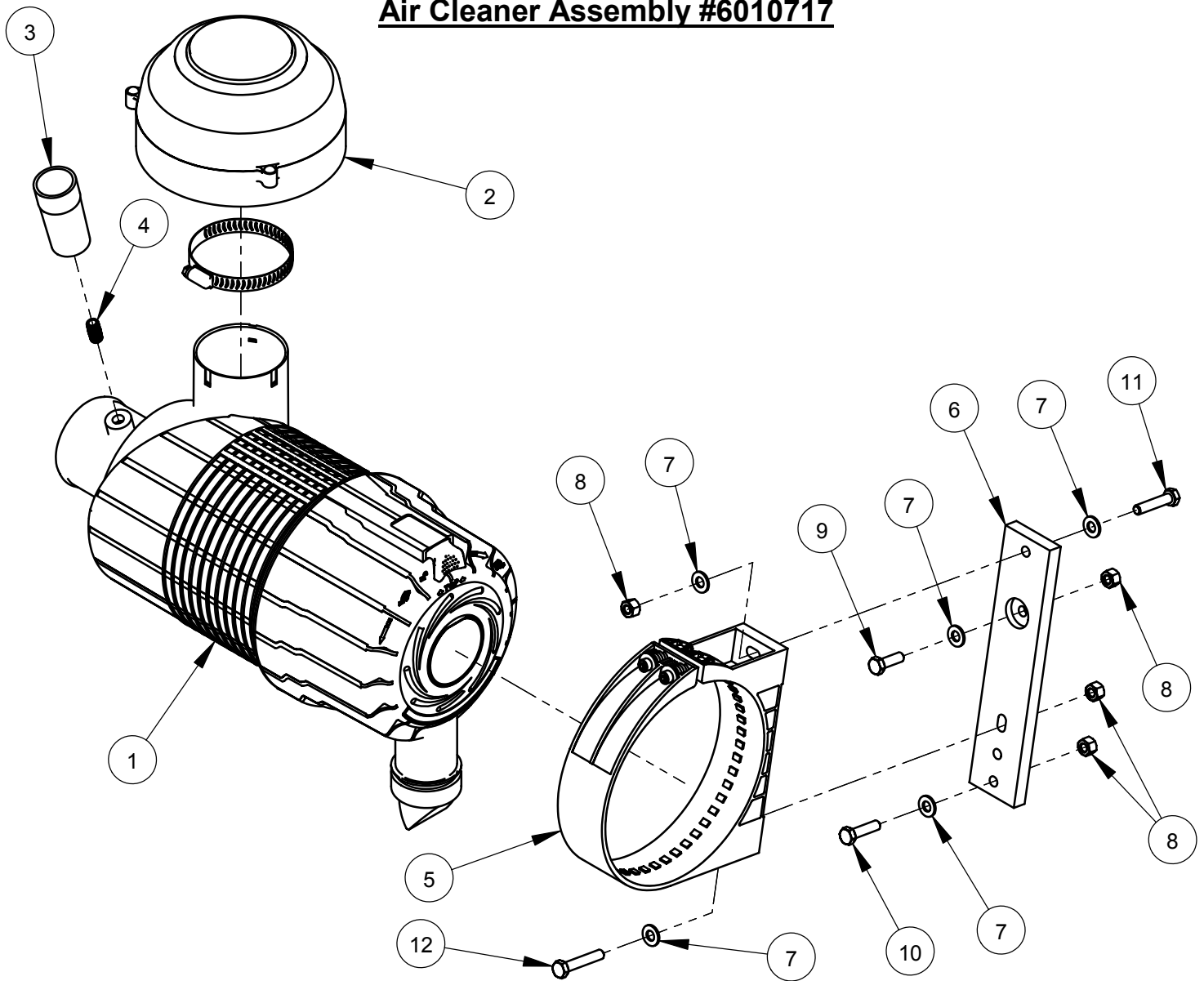
ITEM	PART NO.	QTY.	DESCRIPTION
1	6010097	1	Depth Stop Weldment
2	2900665	4	Belleville Washer, 1/2"
3	2900058	1	Flat Washer, 1/2" SAE
4	2900239	1	Friction Washer, 1/2"
5	6010095	1	Depth Stop Knob
6	2900132	1	Roll Pin, 3/16" x 1-1/4"
7	2900158	1	Yoke, 1/2-13
8	2900084	1	Lock Washer, 1/2" Split
9	2900037	1	Hex Nut, 1/2-13
10	2900007	1	Clevis Pin, 1/2" Dia. x 1-3/8"
11	2900004	1	Cotter Pin, 1/8" x 1"

## Water Supply Assembly #6010718



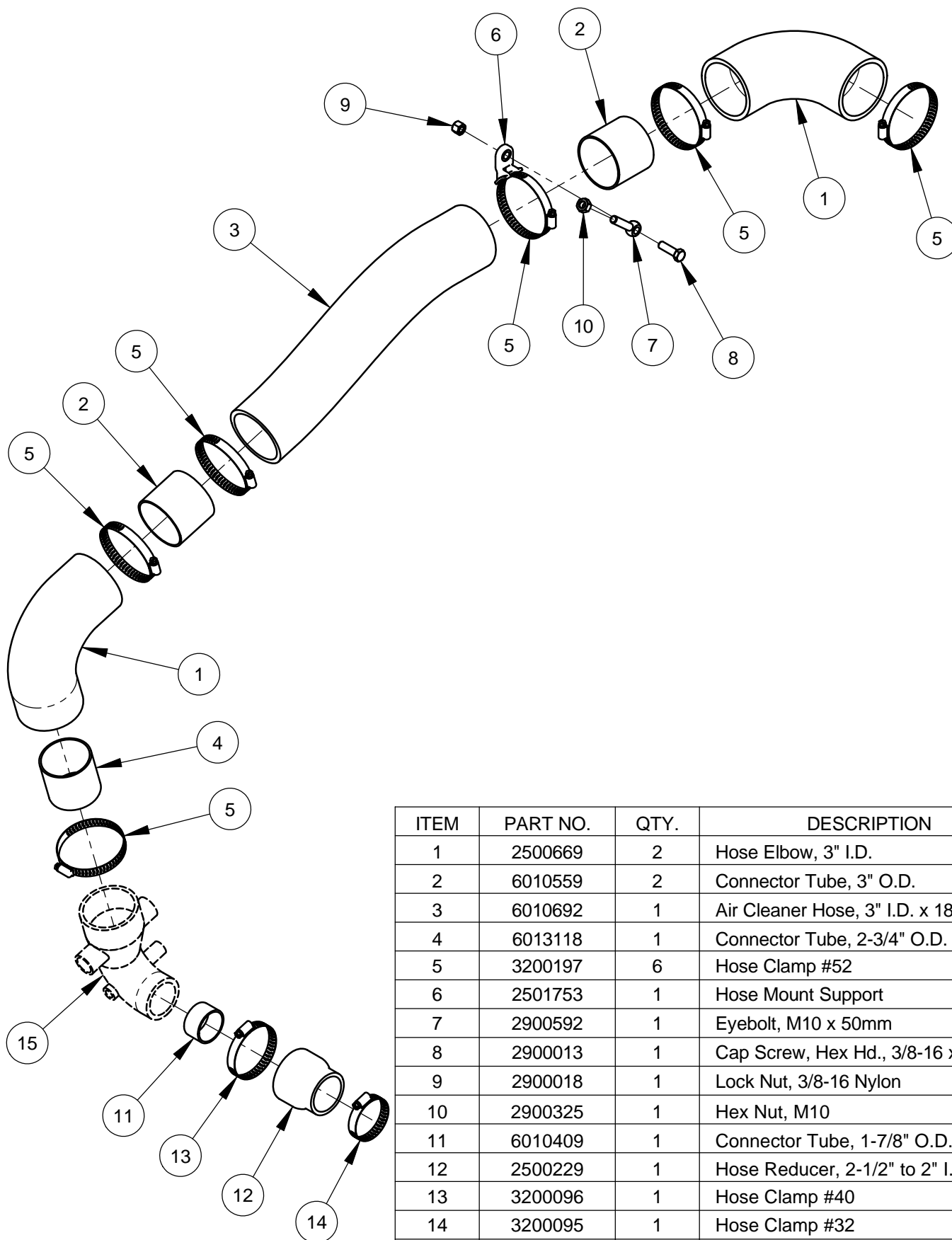
ITEM	PART NO.	QTY.	DESCRIPTION
1	6090069	1	Water Supply Tube
2	3200045	1	Pipe Tee, 1/2" NPT
3	3200008	2	Close Nipple, 1/2" NPT
4	3200022	1	Fitting, 1/2" F. Pipe to 3/4" F. Garden
5	3200025	1	Hose Filter Washer
6	3200013	2	Street Elbow, 1/2" NPT
7	3200027	2	Water Valve
8	3200155	2	Fitting, 1/2" M. Pipe to 3/4" M. Garden
9	6010021	1	Water Hose Assembly, 42" Long
10	3200001	1	Plug, 1/8" NPT
11	2900241	2	U-Bolt, 1/2" Pipe
12	2900009	4	Flat Washer, 1/4" SAE
13	2900010	4	Lock Nut, 1/4-20 Nylon

## Air Cleaner Assembly #6010717



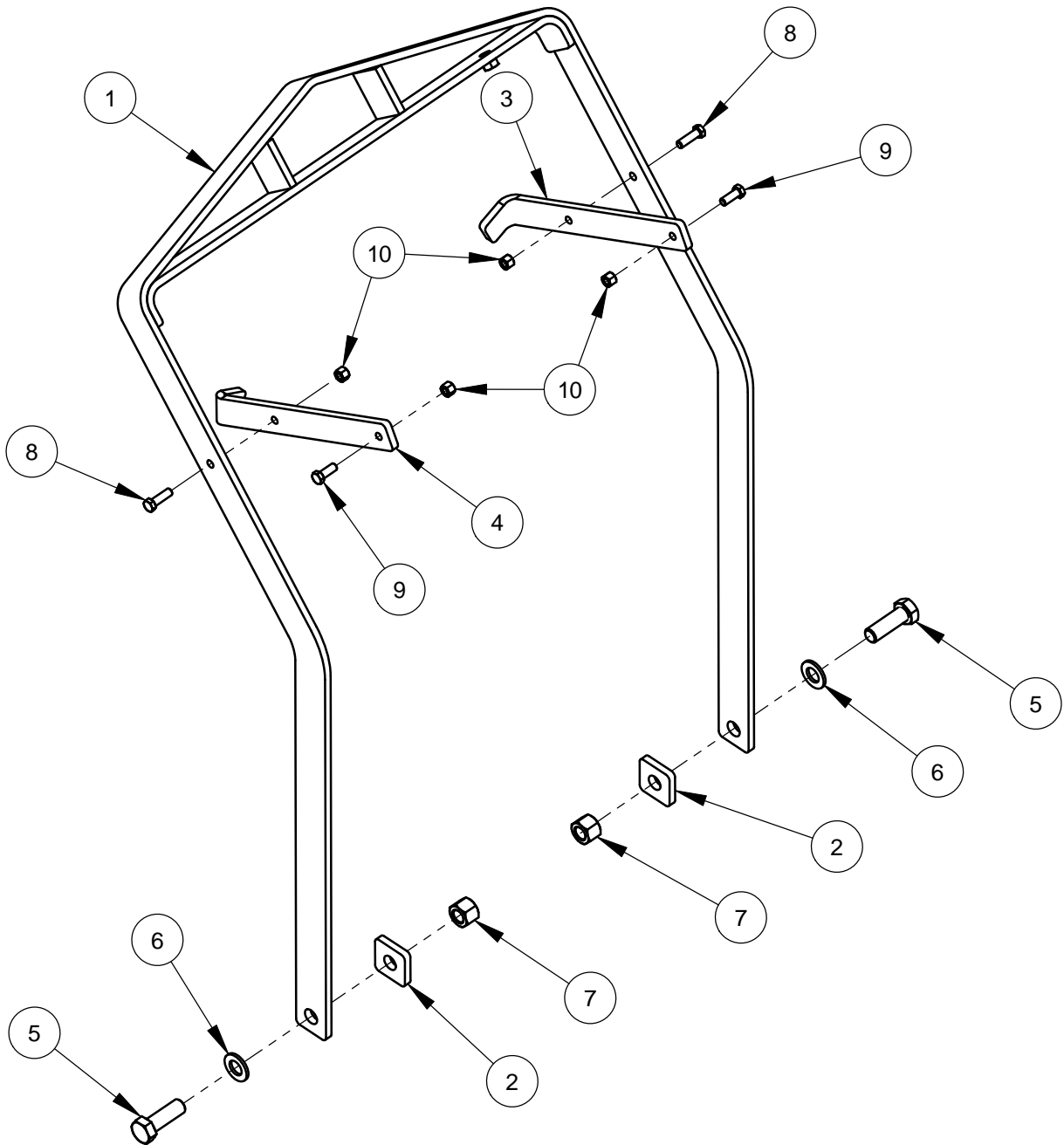
ITEM	PART NO.	QTY.	DESCRIPTION
1	2501384	1	Air Cleaner Complete
	2501386	1	Outer Primary Filter
	2501387	1	Inner Safety Filter
	2500239	1	Rubber Dust Ejector Boot
2	2501388	1	Pre-Cleaner with Clamp
3	2500423	1	Restriction Indicator
4	3200117	1	Close Nipple, 1/8" NPT
5	2501385	1	Mounting Band, Polymer
6	6010325	1	Air Cleaner Mount Spacer
7	2900022	5	Flat Washer, 5/16" SAE
8	2900039	4	Lock Nut, 5/16-18 Nylon
9	2900138	1	Cap Screw, Hex Hd., 5/16-18 x 1"
10	2900217	1	Cap Screw, Hex Hd., 5/16-18 x 1-1/4"
11	2900508	1	Cap Screw, Hex Hd., 5/16-18 x 1-1/2"
12	2900538	1	Cap Screw, Hex Hd., 5/16-18 x 1-3/4"

**Air Intake Assembly #6010730**  
**(Includes Items #1 - #14)**



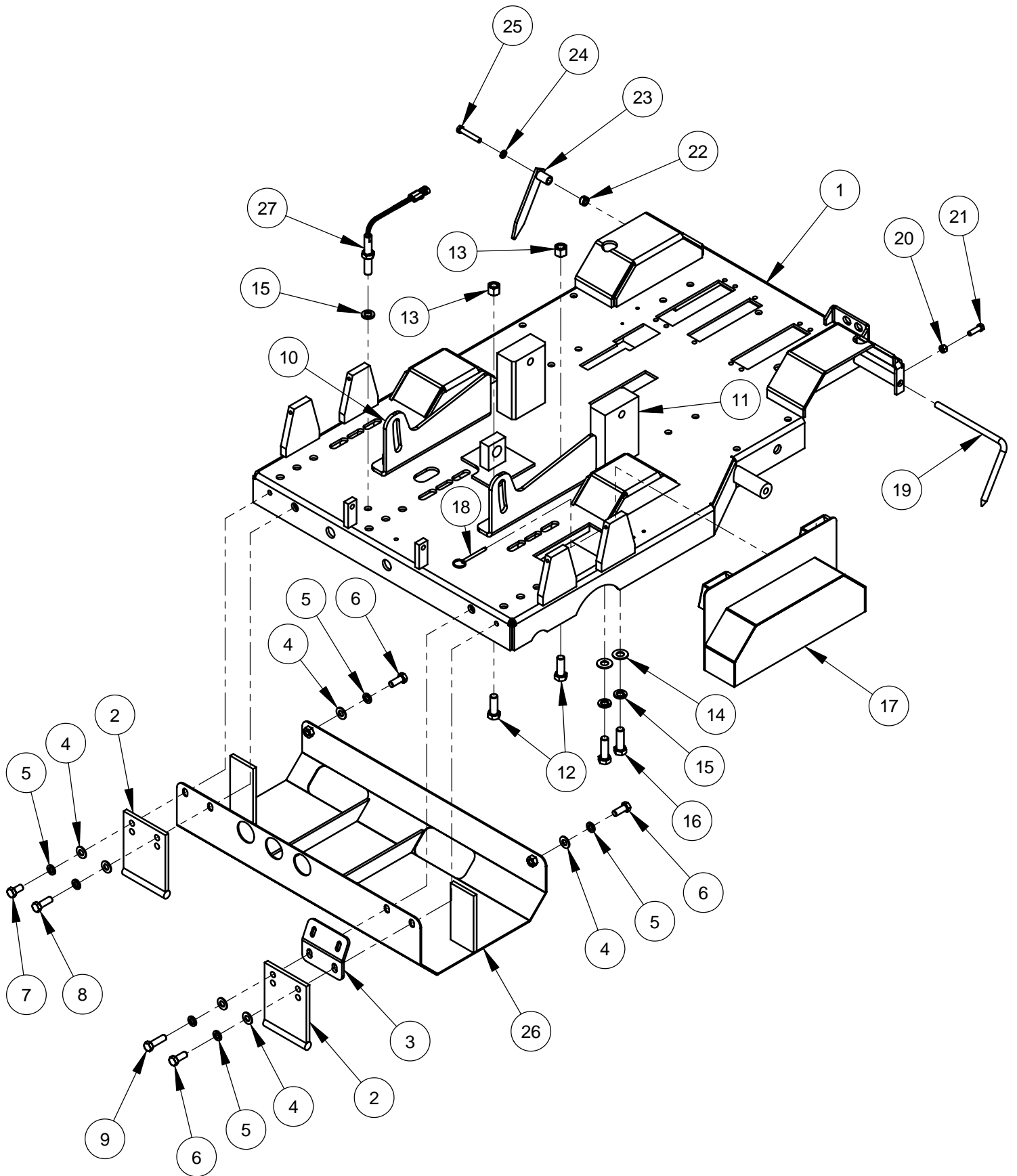
ITEM	PART NO.	QTY.	DESCRIPTION
1	2500669	2	Hose Elbow, 3" I.D.
2	6010559	2	Connector Tube, 3" O.D.
3	6010692	1	Air Cleaner Hose, 3" I.D. x 18"
4	6013118	1	Connector Tube, 2-3/4" O.D.
5	3200197	6	Hose Clamp #52
6	2501753	1	Hose Mount Support
7	2900592	1	Eyebolt, M10 x 50mm
8	2900013	1	Cap Screw, Hex Hd., 3/8-16 x 1-1/4"
9	2900018	1	Lock Nut, 3/8-16 Nylon
10	2900325	1	Hex Nut, M10
11	6010409	1	Connector Tube, 1-7/8" O.D.
12	2500229	1	Hose Reducer, 2-1/2" to 2" I.D.
13	3200096	1	Hose Clamp #40
14	3200095	1	Hose Clamp #32
15	2702207	1	Hose Elbow, Turbo Inlet

## Frame Lift Assembly #6010784



ITEM	PART NO.	QTY.	DESCRIPTION
1	6013051	1	Frame Lift
2	6013053	2	Frame Lift Spacer
3	6010776A	1	Frame Lift Stop Brace
4	6010776B	1	Frame Lift Stop Brace
5	2900465	2	Cap Screw, Hex Hd., 3/4-10 x 2-1/4"
6	2900003	2	Flat Washer, 3/4" SAE
7	2900467	2	Lock Nut, 3/4-10 Nylon
8	2900013	2	Cap Screw, Hex Hd., 3/8-16 x 1-1/4"
9	2900005	2	Cap Screw, Hex Hd., 3/8-16 x 1"
10	2900018	4	Lock Nut, 3/8-16 Nylon

# Frame Base Assembly #6010761

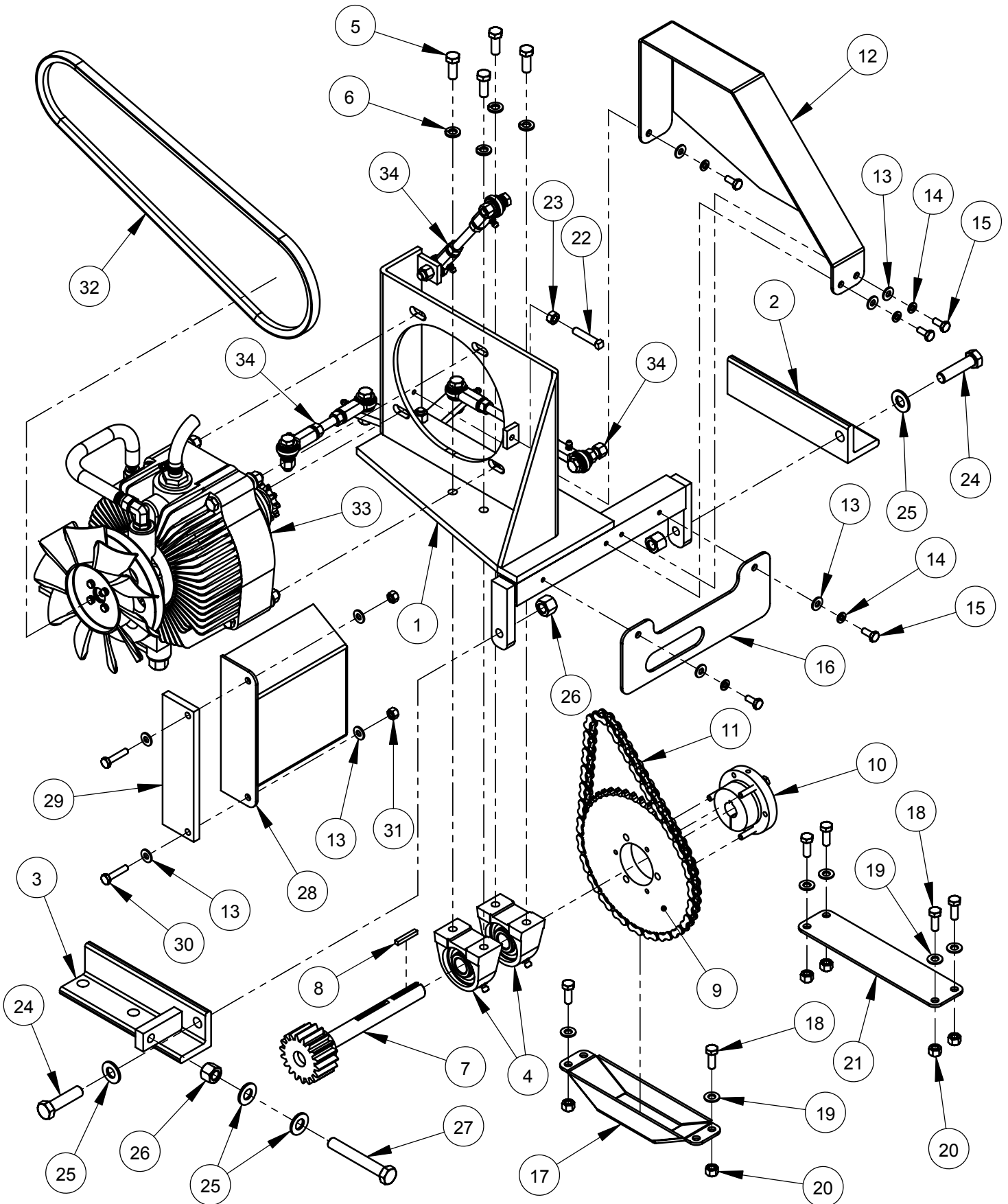




## Frame Base Assembly #6010761

ITEM	PART NO.	QTY.	DESCRIPTION
1	6010752A	1	Frame Base
2	6010681	2	Skid Plate
3	6010680	1	Guard Attachment Plate (25 degree)
4	2900058	6	Flat Washer, 1/2" SAE
5	2900084	6	Lock Washer, 1/2" Split
6	2900025	3	Cap Screw, Hex Hd., 1/2-13 x 1-1/4"
7	2900086	1	Cap Screw, Hex Hd., 1/2-13 x 1"
8	2900499	1	Cap Screw, Hex Hd., 1/2-13 x 1-1/2"
9	2900139	1	Cap Screw, Hex Hd., 1/2-13 x 1-3/4"
10	6010660	2	Forward Engine Mount
11	6010661	2	Rear Engine Mount
12	2900147	4	Cap Screw, Hex Hd., 5/8-11 x 1-3/4"
13	2900135	4	Lock Nut, 5/8-11 Nylon
14	2900002	4	Flat Washer, 5/8" SAE
15	2900113	5	Lock Washer, 5/8" Split
16	2900136	4	Cap Screw, Hex Hd., 5/8-11 x 2"
17	6010748	1	Shaft/Flange Guard (Wide)
18	2900156	1	Lock Pin with Ring
19	6010683	1	Rear Pointer Rod
20	2900033	1	Hex Nut, 3/8-16
21	2900013	1	Cap Screw, Hex Hd., 3/8-16 x 1-1/4"
22	2501603	1	Set Collar, 3/8" with Set Screw
23	6010022	1	Rear Pointer
24	2900006	1	Lock Washer, 3/8" Split
25	2900079	1	Cap Screw, Hex Hd., 3/8-16 x 2-1/4"
26	6010753	1	Sheave Guard
27	2800170	1	Magnetic Sensor w/Jam Nut

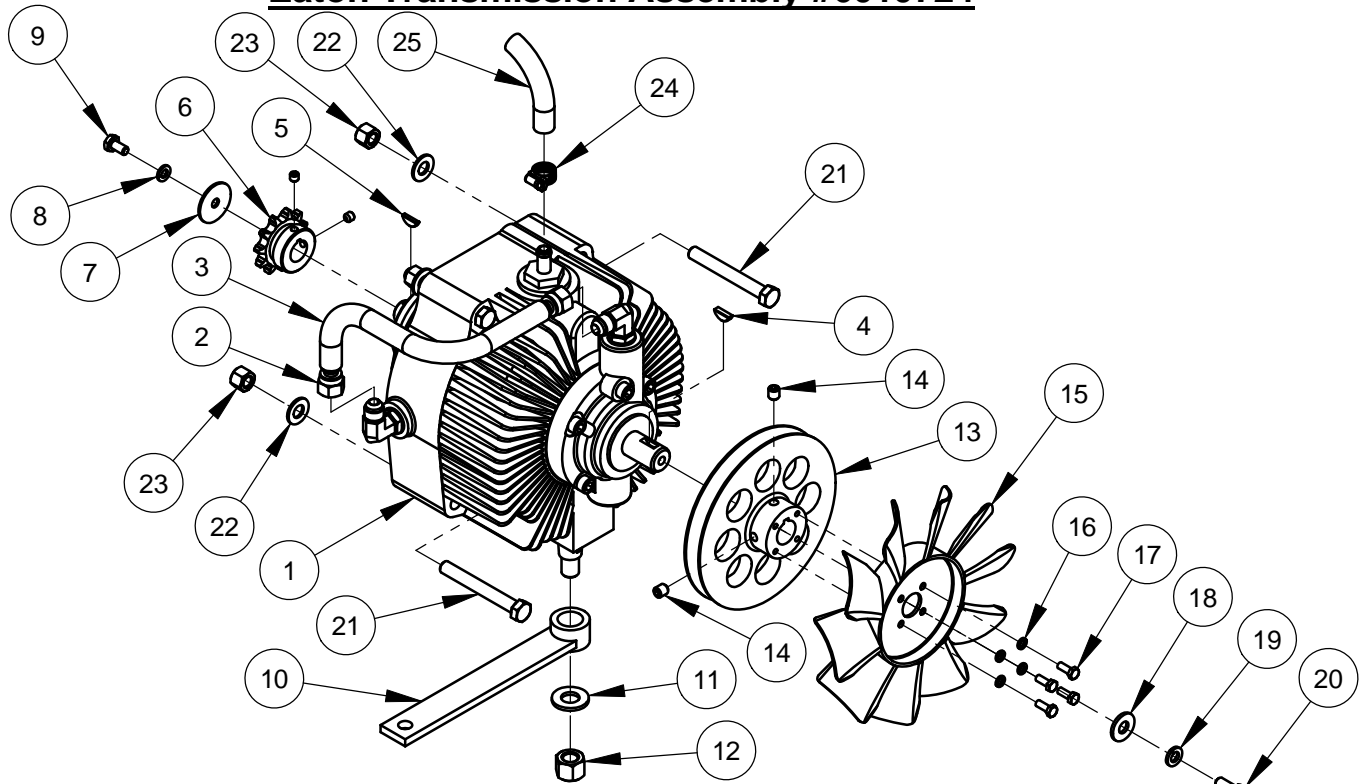
# Rear Drive Assembly #6010723 (Eaton)



## Rear Drive Assembly #6010723 (Eaton)

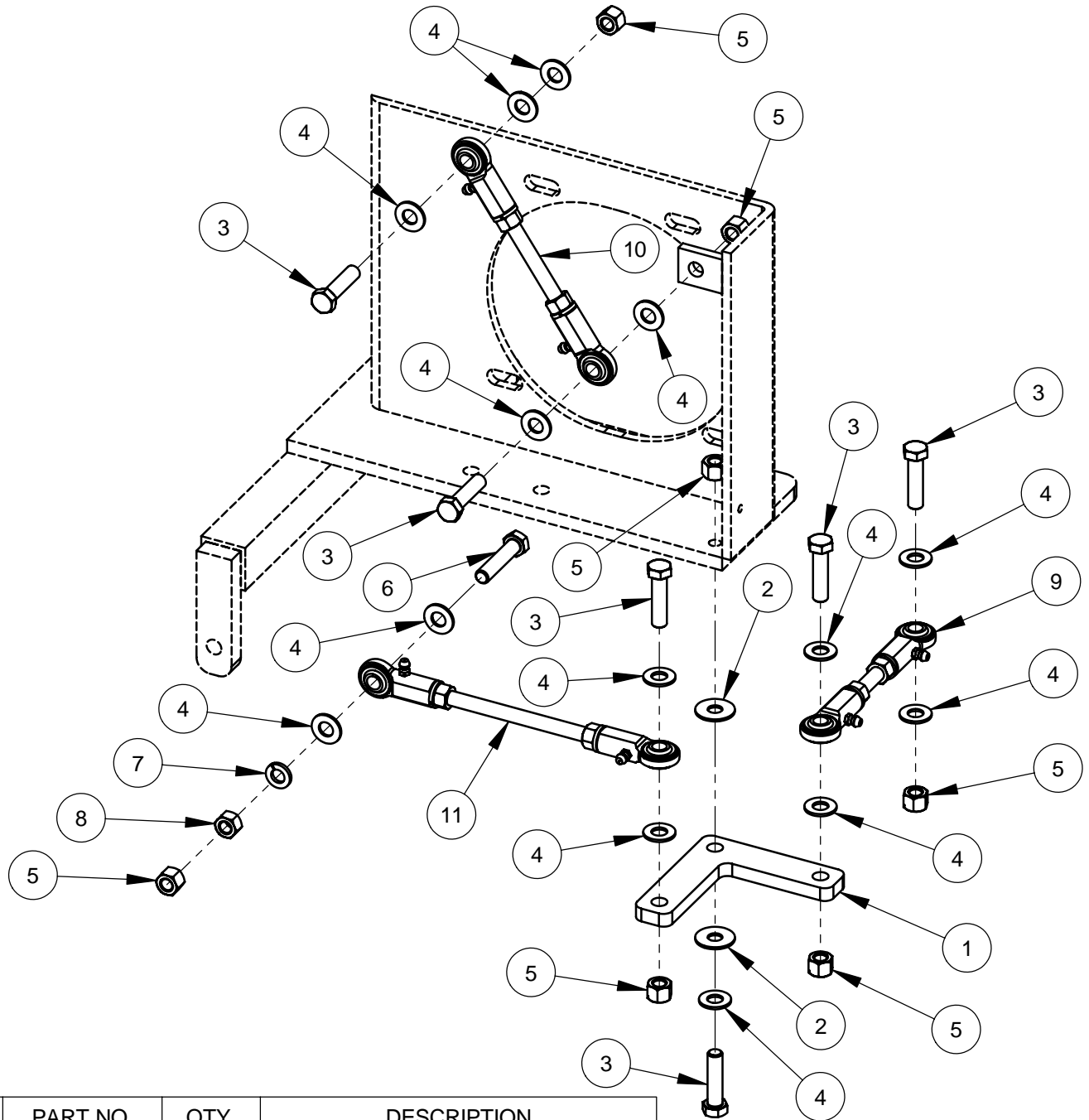
ITEM	PART NO.	QTY.	DESCRIPTION
1	6010068	1	Transmission Platform Weldment
2	6010027	1	Mount Foot, Right Hand
3	6010028	1	Mount Foot, Left Hand
4	2500159	2	Pillow Block Bearing, 3/4"
5	2900005	4	Cap Screw, Hex Hd., 3/8-16 x 1"
6	2900006	4	Lock Washer, 3/8" Split
7	6010664	1	Transmission Jackshaft, 18 Tooth
8	6048229	1	Key, 3/16" Sq. x 1-1/4"
9	2500148	1	Sprocket, #40 x 45 Tooth
10	2500149	1	QD Bushing, SDS x 3/4" w/Fasteners
11	6010069	1	Chain, #40 x 56 Pitch
12	6010671	1	Chain Guard
13	2900009	9	Flat Washer, 1/4" SAE
14	2900024	5	Lock Washer, 1/4" Split
15	2900023	5	Cap Screw, Hex Hd., 1/4-20 x 5/8"
16	6010679	1	Gear Guard
17	6010674	1	Sprocket Guard
18	2900668	6	Cap Screw, Hex Hd., 5/16-18 x 7/8"
19	2900022	6	Flat Washer, 5/16" SAE
20	2900039	6	Lock Nut, 5/16-18 Nylon
21	6010678	1	Cover Plate (Wide)
22	2900140	1	Set Screw, Sq. Hd., 5/16-18 x 1-1/2"
23	2900141	1	Hex Nut, 5/16-18
24	2900106	2	Cap Screw, Hex Hd., 1/2-13 x 2"
25	2900058	4	Flat Washer, 1/2" SAE
26	2900026	3	Lock Nut, 1/2-13 Nylon
27	2900542	1	Tap Bolt, Hex Hd., 1/2-13 x 3-1/2"
28	6010673	1	Fan Guard
29	6010735	1	Spacer, Fan Guard
30	2900052	2	Cap Screw, Hex Hd., 1/4-20 x 1-1/4"
31	2900010	2	Lock Nut, 1/4-20 Nylon
32	2501946	1	V-Belt, AX39
33	6010724	1	Eaton Transmission Assembly
34	6010725	1	Linkage Assembly

## Eaton Transmission Assembly #6010724



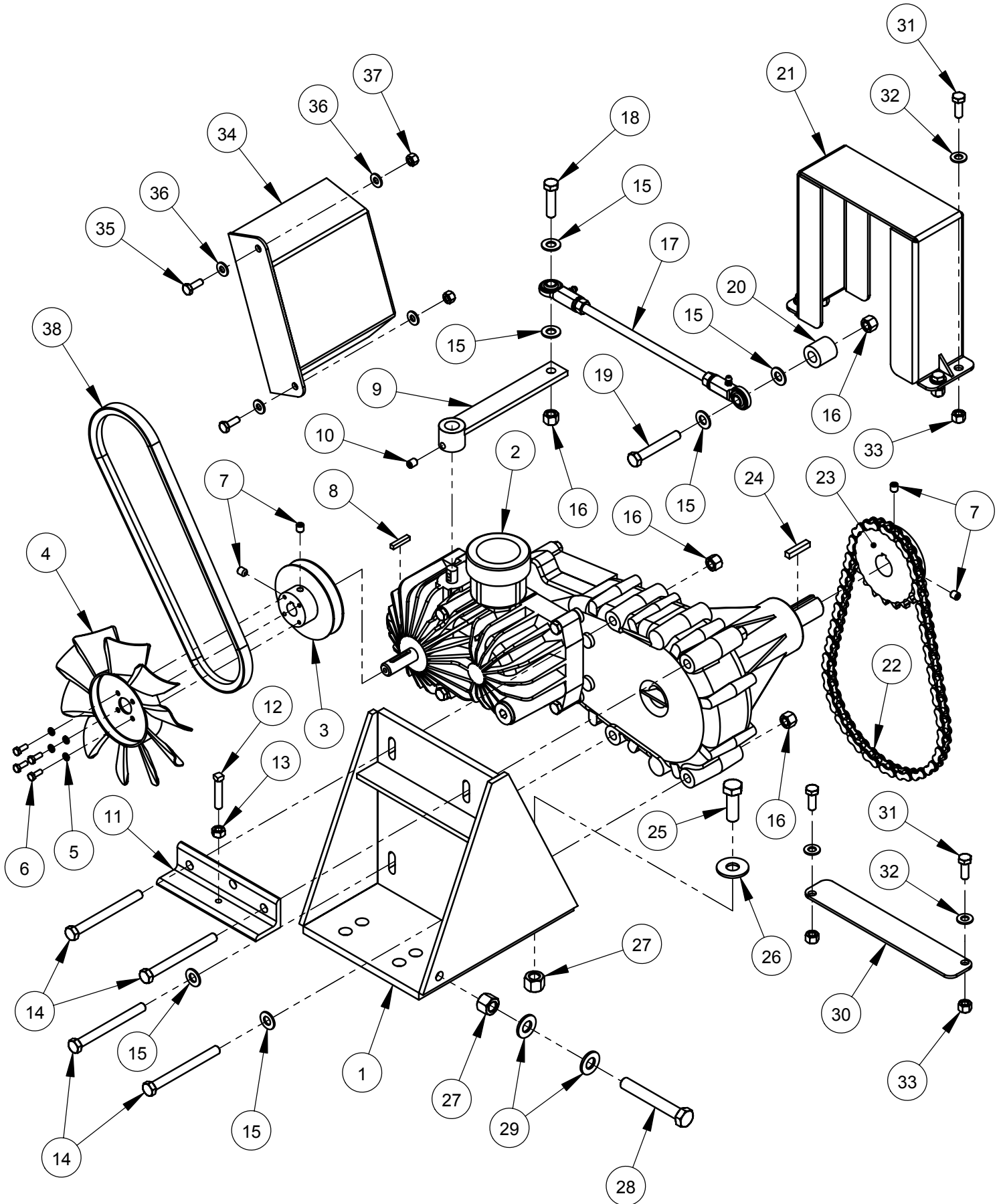
ITEM	PART NO.	QTY.	DESCRIPTION
1	2600068	1	Eaton Hydrostatic Transmission
2	3200046	2	Fitting, 3/8" F. JIC to 3/8" Push Lock
3	6010060	1	Oil Recirculation Hose, 3/8" I.D. x 9"
4	2900143	1	Woodruff Key #61, 3/16" x 5/8"
5	2900063	1	Woodruff Key #405, 1/8" x 5/8"
6	2500150	1	Sprocket, #40 x 11 Tooth w/Setscrews
7	2900083	1	Fender Washer, 1/4" x 1-1/4"
8	2900024	1	Lock Washer, 1/4" Split
9	2900082	1	Cap Screw, Hex Hd., 1/4-20 x 1/2"
10	6010064	1	Shift Lever
11	2900058	1	Flat Washer, 1/2" SAE
12	2900026	1	Lock Nut, 1/2-13 Nylon
13	6010682	1	Transmission Pulley 5.5"
14	2900142	2	Set Screw, Soc. Hd., 5/16-18 x 3/8"
15	2500519	1	Cooling Fan, 7"
16	2900038	4	Lock Washer, #10 Split
17	2900448	4	Machine Screw, Hex Hd., #10-32 x 1/2"
18	2900567	1	Flat Washer, 5/16" USS
19	2900031	1	Lock Washer, 5/16" Split
20	2900019	1	Cap Screw, Hex Hd., 5/16-18 x 3/4"
21	2900035	4	Cap Screw, Hex Hd., 3/8-16 x 3"
22	2900014	4	Flat Washer, 3/8" SAE
23	2900018	4	Lock Nut, 3/8-16 Nylon
24	3200062	1	Hose Clamp #4
25	6010059	1	Clear Hose, 3/8" I.D. x 19"

## Linkage Assembly #6010725



ITEM	PART NO.	QTY.	DESCRIPTION
1	6010067	1	Bell Crank
2	2900153	2	Friction Washer, 3/8"
3	2900029	6	Cap Screw, Hex Hd., 3/8-16 x 1-1/2"
4	2900014	14	Flat Washer, 3/8" SAE
5	2900018	7	Lock Nut, 3/8-16 Nylon
6	2900047	1	Cap Screw, Hex Hd., 3/8-16 x 1-3/4"
7	2900006	1	Lock Washer, 3/8" Split
8	2900033	1	Hex Nut, 3/8-16
9	6010704	1	Linkage Assembly 5-1/8"
10	6010705	1	Linkage Assembly 6-1/4"
11	6010706	1	Linkage Assembly 8"

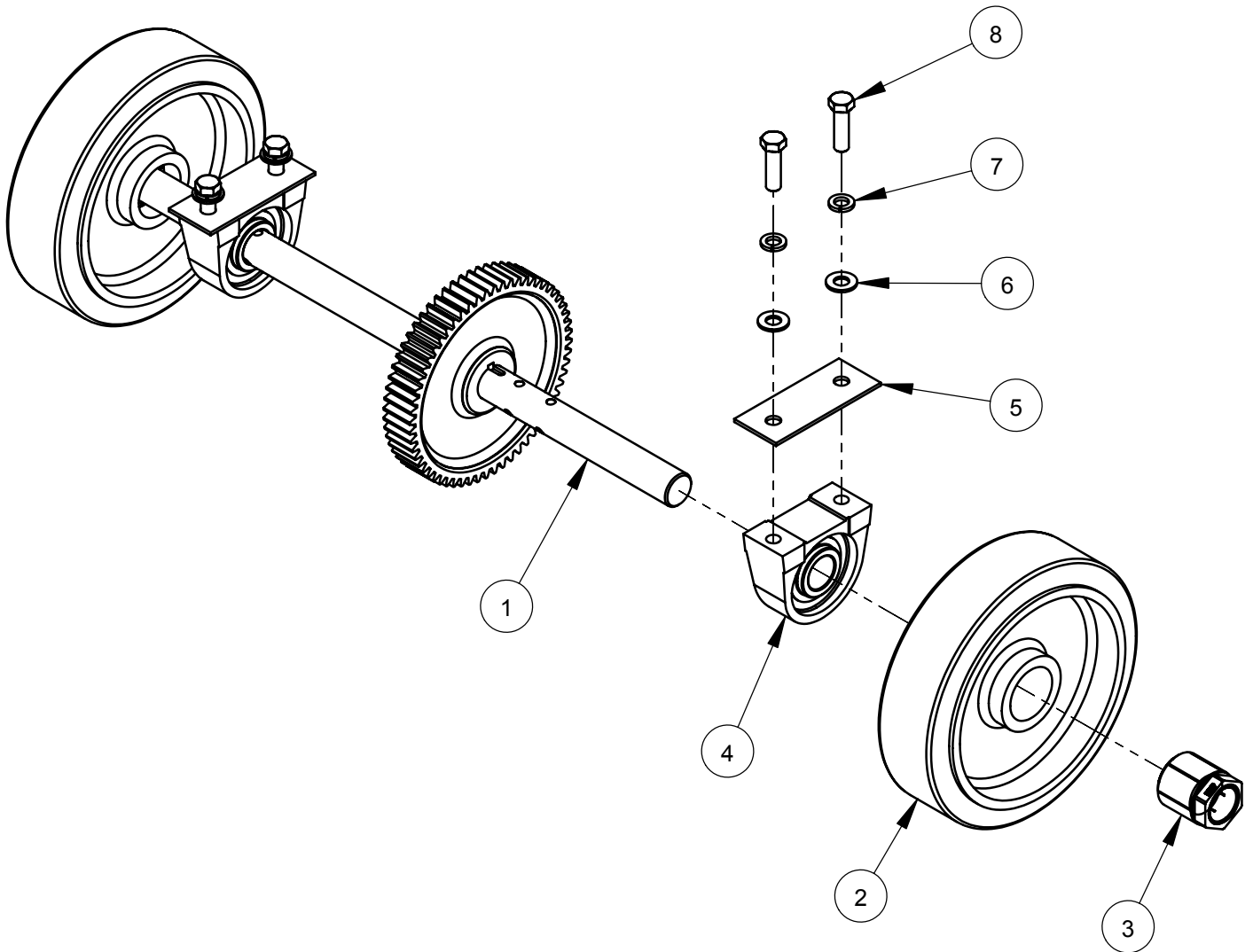
# Rear Drive Assembly #6010726 (Sundstrand)



## Rear Drive Assembly #6010726 (Sundstrand)

ITEM	PART NO.	QTY.	DESCRIPTION
1	6010118	1	Transmission Platform
2	2600021	1	Hydrostatic Transaxle Assembly
3	6011037	1	Transmission Pulley 3.5"
4	2500519	1	Cooling Fan, 7"
5	2900038	4	Lock Washer, #10 Split
6	2900448	4	Machine Screw, Hex Hd., #10-32 x 1/2"
7	2900142	4	Set Screw, Soc. Hd., 5/16-18 x 3/8"
8	6010170	1	Key, 3/16" Sq. x 1"
9	6010129	1	Shift Lever
10	2900429	1	Set Screw, Soc. Hd., 5/16-24 x 1/2"
11	6010120	1	Chain Tensioning Bracket
12	2900140	1	Set Screw, Sq. Hd., 5/16-18 x 1-1/2"
13	2900141	1	Hex Nut, 5/16-18
14	2900160	4	Cap Screw, Hex Hd., 3/8-16 x 4"
15	2900014	6	Flat Washer, 3/8" SAE
16	2900018	6	Lock Nut, 3/8-16 Nylon
17	6010703	1	Linkage Assembly 11-1/2"
18	2900029	1	Cap Screw, Hex Hd., 3/8-16 x 1-1/2"
19	2900596	1	Cap Screw, Hex Hd., 3/8-16 x 2-1/2"
20	6030126	1	Spacer, 1"
21	6010672A	1	Chain Guard
22	6010130	1	Chain, #50 x 50 pitch
23	6010127	1	Transmission Sprocket, #50 x 19 Tooth
24	6010169	1	Key, 1/4" Sq. x 1-1/4"
25	2900499	1	Cap Screw, Hex Hd., 1/2-13 x 1-1/2"
26	2900127	1	Flat Washer, 1/2" USS
27	2900026	2	Lock Nut, 1/2-13 Nylon
28	2900542	1	Tap Bolt, Hex Hd., 1/2-13 x 3-1/2"
29	2900058	2	Flat Washer, 1/2" SAE
30	6010677	1	Cover Plate (Narrow)
31	2900668	6	Cap Screw, Hex Hd., 5/16-18 x 7/8"
32	2900022	6	Flat Washer, 5/16" SAE
33	2900039	6	Lock Nut, 5/16-18 Nylon
34	6010673	1	Fan Guard
35	2900144	2	Cap Screw, Hex Hd., 1/4-20 x 3/4"
36	2900009	4	Flat Washer, 1/4" SAE
37	2900010	2	Lock Nut, 1/4-20 Nylon
38	2501779	1	V-Belt, AX29

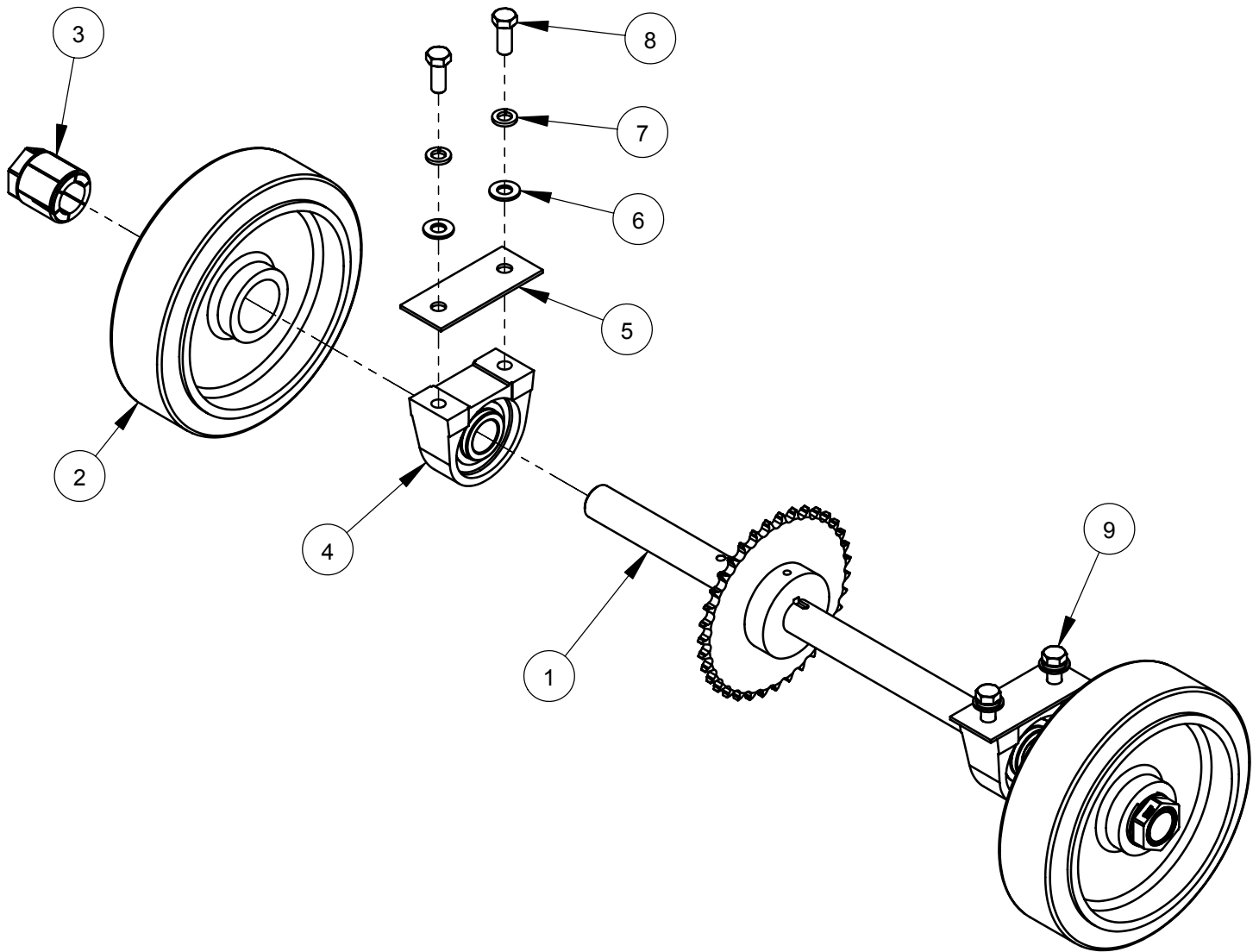
## Rear Axle Assembly #6010743 (Eaton / Gear)



ITEM	PART NO.	QTY.	DESCRIPTION
1	6010686	1	Rear Axle Weldment w/60 Tooth Gear
2	2500873	2	Wheel, 10" Rear with 2" Bore
3	2500874	2	Trantorque Bushing, 1-1/4"
4	2500158	2	Pillow Block Bearing 1-1/4"
5	6010024	2	Rear Axle Bearing Spacer, 1/8"
6	2900058	4	Flat Washer, 1/2" SAE
7	2900084	4	Lock Washer, 1/2" Split
8	2900139	4	Cap Screw, Hex Hd., 1/2-13 x 1-3/4"

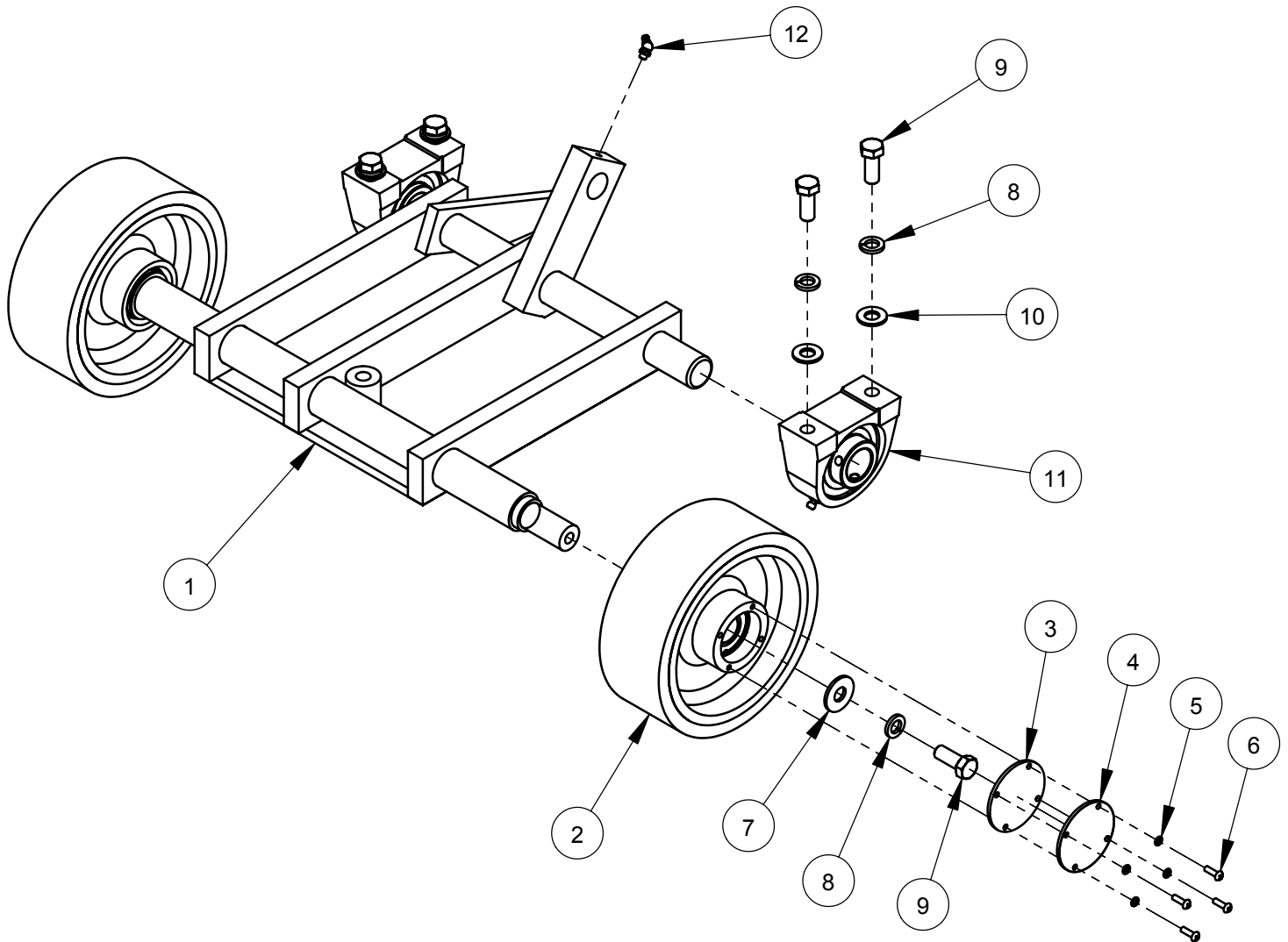


## Rear Axle Assembly #6010744 (Sundstrand / Chain)



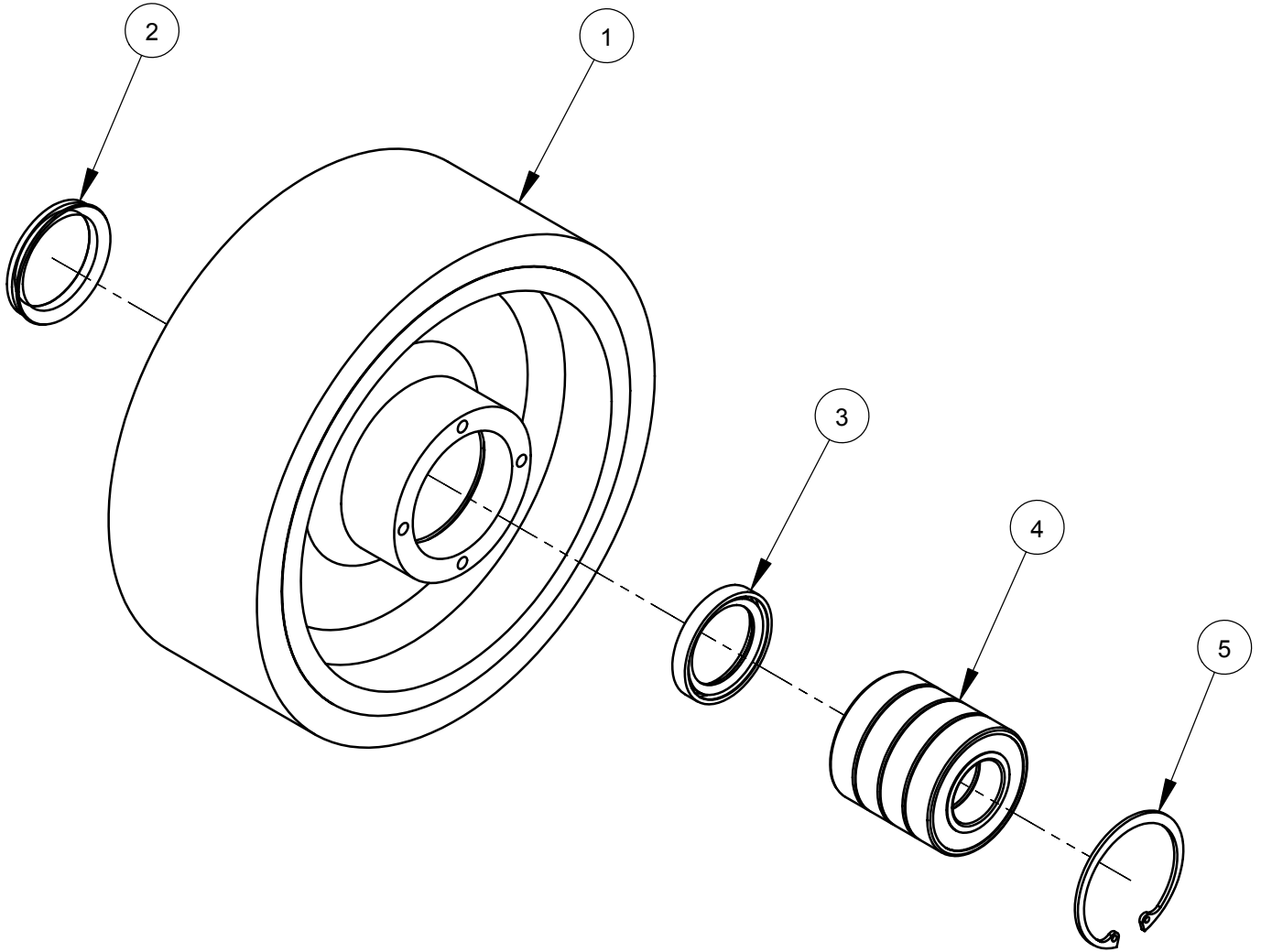
ITEM	PART NO.	QTY.	DESCRIPTION
1	6010281	1	Rear Axle Weldment w/35 Tooth Sprocket
2	2500873	2	Wheel, 10" Rear with 2" Bore
3	2500874	2	Trantorque Bushing, 1-1/4"
4	2500158	2	Pillow Block Bearing 1-1/4"
5	6010024	2	Rear Axle Bearing Spacer, 1/8"
6	2900058	4	Flat Washer, 1/2" SAE
7	2900084	4	Lock Washer, 1/2" Split
8	2900025	2	Cap Screw, Hex Hd., 1/2-13 x 1-1/4"
9	2900139	2	Cap Screw, Hex Hd., 1/2-13 x 1-3/4"

## Front Axle Assembly #6010746



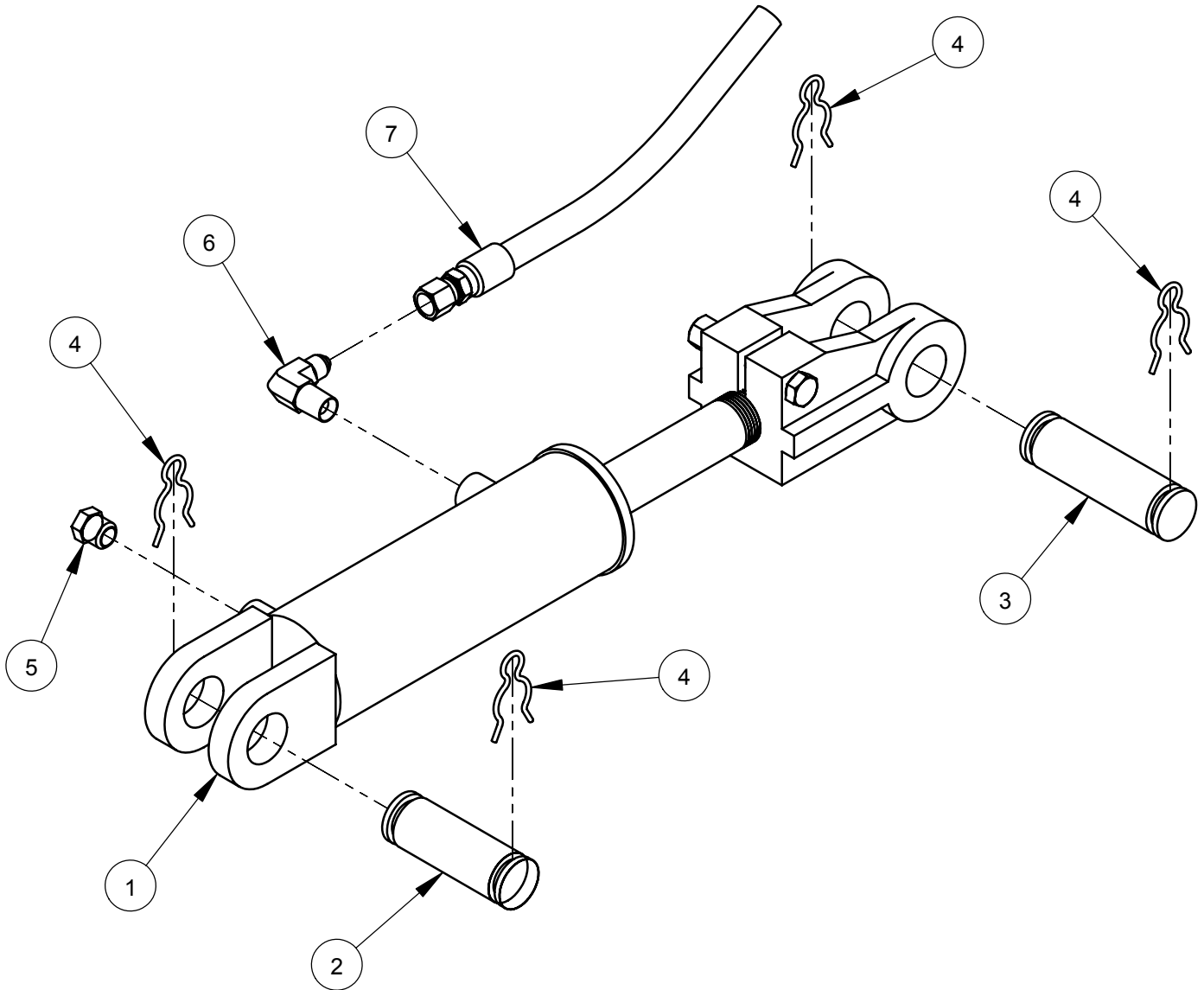
ITEM	PART NO.	QTY.	DESCRIPTION
1	6010747	1	Front Axle Weldment
2	6010581	2	Wheel Assembly, 8" Front
3	2501393	2	Wheel Cover Gasket
4	6010536	2	Wheel Cover
5	2900038	8	Lock Washer, #10 Split
6	2900159	8	Machine Screw, Rd. Hd., #10-24 x 5/8"
7	2900127	2	Flat Washer, 1/2" USS
8	2900084	6	Lock Washer, 1/2" Split
9	2900025	6	Cap Screw, Hex Hd., 1/2-13 x 1-1/4"
10	2900058	4	Flat Washer, 1/2" SAE
11	2500158	2	Pillow Block Bearing 1-1/4"
12	2900184	1	Grease Fitting, 1/8" NPT x 45 degree

## Front Wheel Assembly #6010581



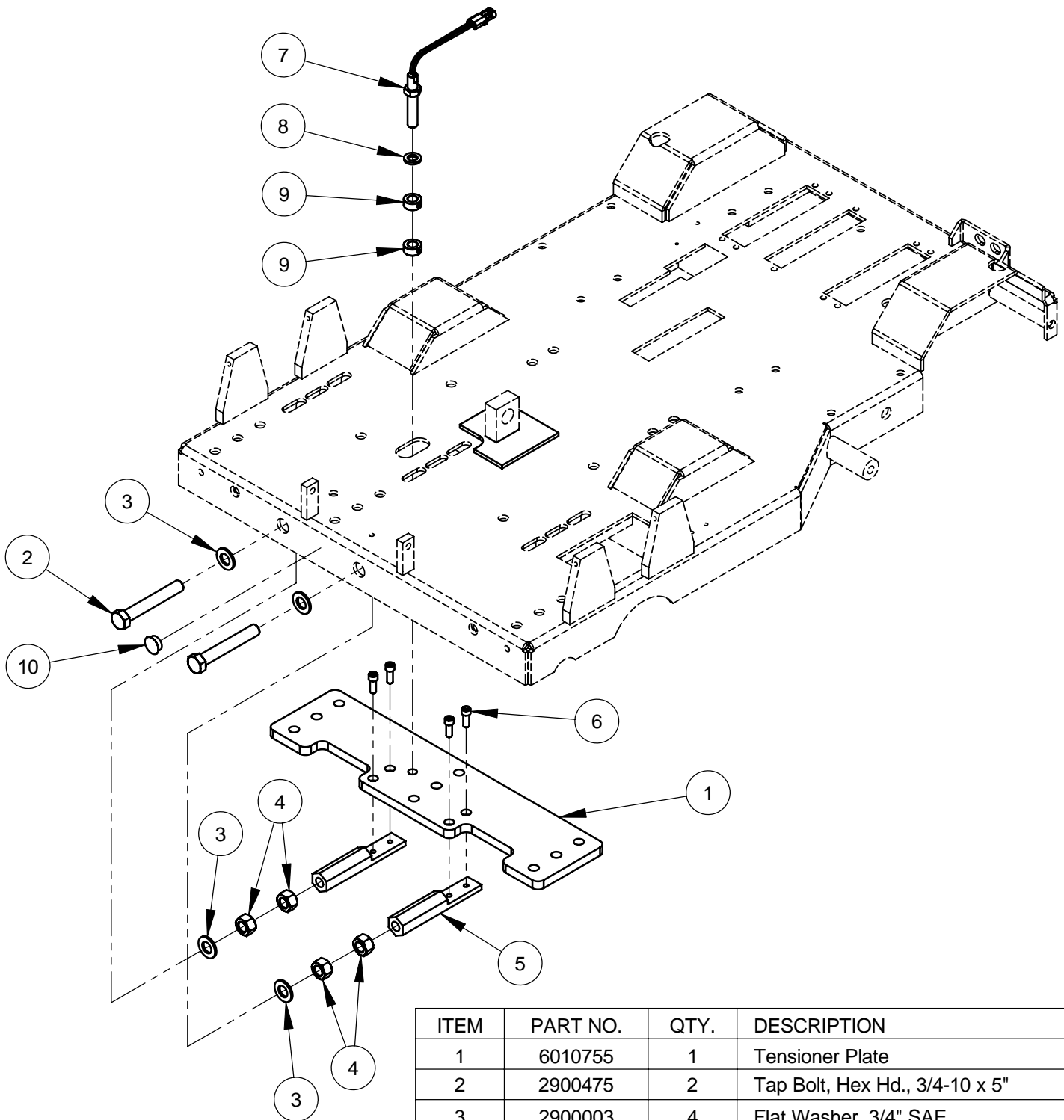
ITEM	PART NO.	QTY.	DESCRIPTION
1	2501390	1	Wheel, 8" Front
2	2501428	1	Seal, 1-1/2" V-Ring
3	2501391	1	Seal, 1-1/4" x 1-3/4" x 1/4"
4	2501418	4	Ball Bearing, 1" x 2" x 1/2"
5	2501392	1	Retaining Ring, 2" Internal

## Hydraulic Cylinder Assembly #6010714



ITEM	PART NO.	QTY.	DESCRIPTION
1	2500177	1	Hydraulic Cylinder
2	6010031	1	Cylinder Pin, 3"
3	6010119	1	Cylinder Pin, 3-1/2"
4	2900064	4	Hair Pin Cotter, 3/4"
5	3200067	1	Cylinder Breather, 1/4" NPT
6	3200057	1	Elbow, 1/4" M. Pipe to 1/4" M. JIC
7	3200054	1	Hose Assembly, 32" Long

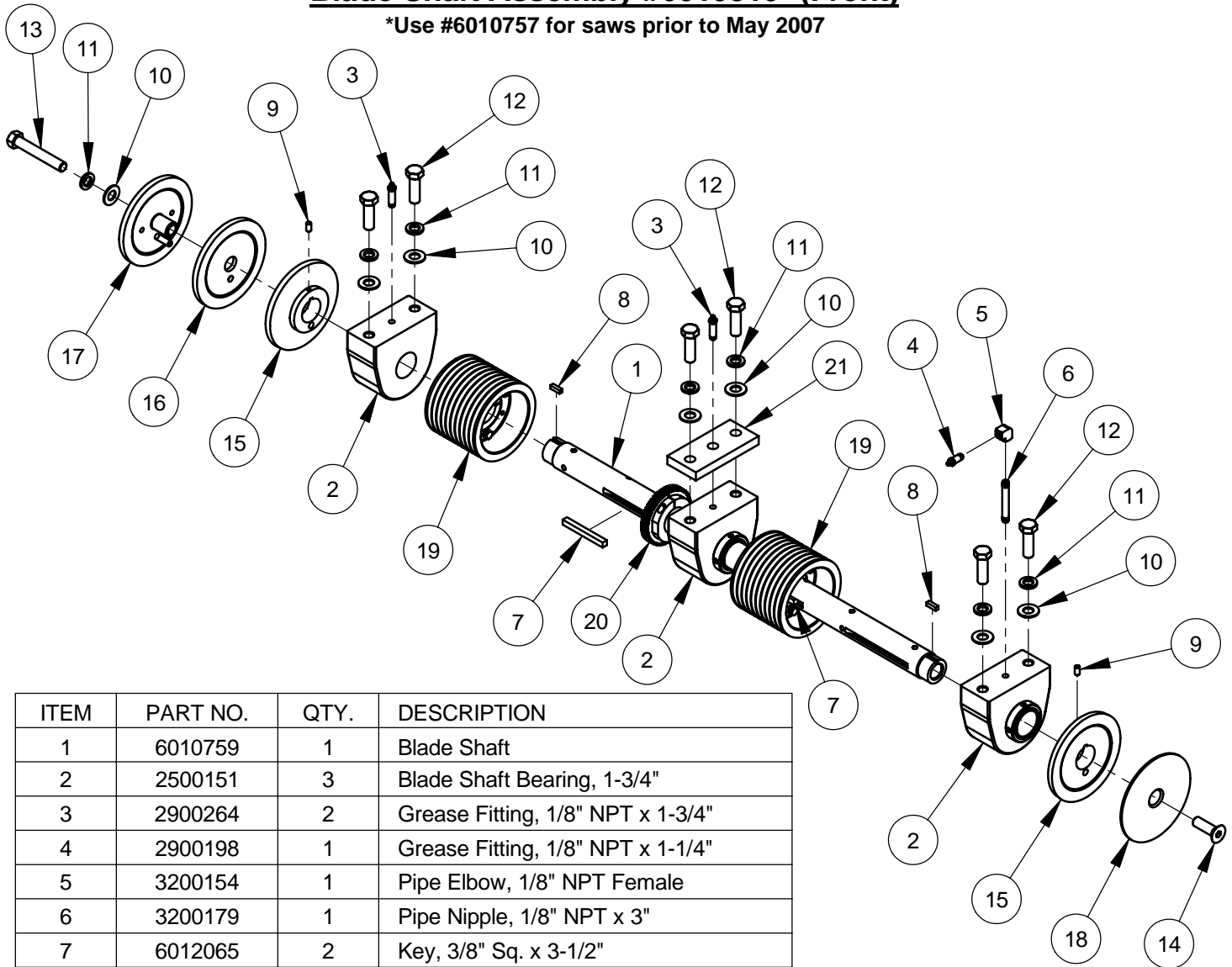
## Belt Tensioner Assembly #6010754



ITEM	PART NO.	QTY.	DESCRIPTION
1	6010755	1	Tensioner Plate
2	2900475	2	Tap Bolt, Hex Hd., 3/4-10 x 5"
3	2900003	4	Flat Washer, 3/4" SAE
4	2900041	4	Hex Nut, 3/4-10
5	6010756	2	Tensioner Coupling Nut
6	2900175	4	Cap Screw, Soc. Hd., 3/8-16 x 1"
7	2800170	1	Magnetic Sensor w/Jam Nut
8	2900113	1	Lock Washer, 5/8" Split
9	2500008	2	Set Collar, 5/8" with Set Screw
10	2500489	1	Plug, 1" Hole

## Blade Shaft Assembly #6010810\* (Front)

\*Use #6010757 for saws prior to May 2007



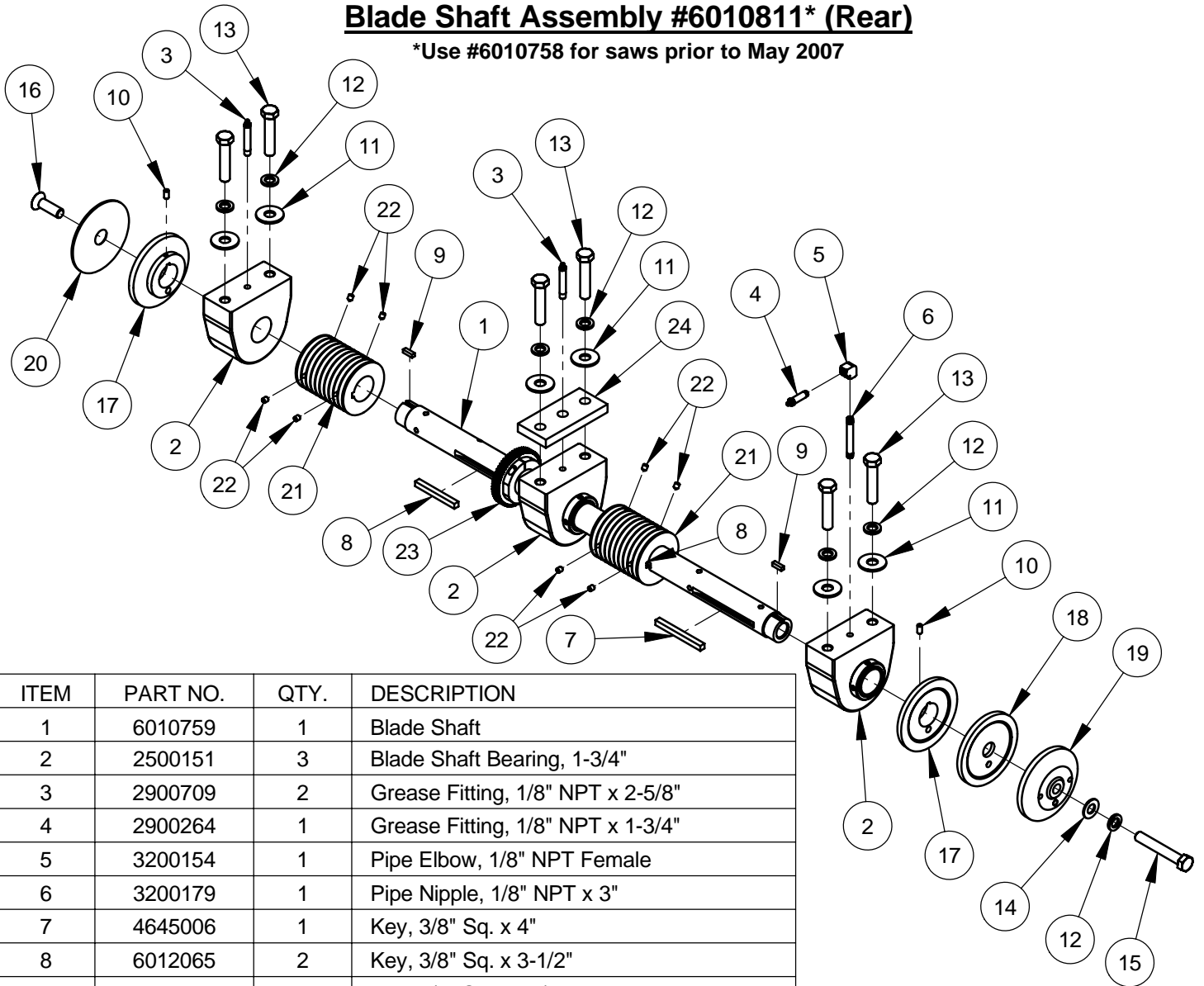
ITEM	PART NO.	QTY.	DESCRIPTION
1	6010759	1	Blade Shaft
2	2500151	3	Blade Shaft Bearing, 1-3/4"
3	2900264	2	Grease Fitting, 1/8" NPT x 1-3/4"
4	2900198	1	Grease Fitting, 1/8" NPT x 1-1/4"
5	3200154	1	Pipe Elbow, 1/8" NPT Female
6	3200179	1	Pipe Nipple, 1/8" NPT x 3"
7	6012065	2	Key, 3/8" Sq. x 3-1/2"
8	6010040	2	Key, 1/4" Sq. x 13/16"
9	2900418	2	Set Screw, Soc. Hd., 5/16-18 x 5/8"
10	2900002	7	Flat Washer, 5/8" SAE
11	2900113	7	Lock Washer, 5/8" Split
12	2900136	6	Cap Screw, Hex Hd., 5/8-11 x 2"
13	2900130	1	Cap Screw, Hex Hd., 5/8-11 x 4" LH
14	2900711	1	Cap Screw, Flat Hd., 5/8-11 x 2"
15	6010038	2	Inner Flange 6"
16	6010760C	1	Blade Spacer, 6" O.D.
17	6010039	1	Outer Flange 6" with Pin
	2900197	1	Dowel Pin, 3/8" Dia. x 2"
18	6010765C	1	Flange Cover, 6" O.D.
19	6010813	2	Sheave, 5.3" x 10 Groove w/Bushing
	2500516	1	Sheave, 5.3" x 10 Groove QD Style
	2500176	1	QD Bushing, SK x 1-3/4" w/Fasteners
20	6010230	1	Shaft Tach Gear, Split
21	6010035	1	Blade Shaft Bearing Spacer 5/8"

← #6012053 for saws prior to May 2007

← #2500390 for saws prior to May 2007

## Blade Shaft Assembly #6010811\* (Rear)

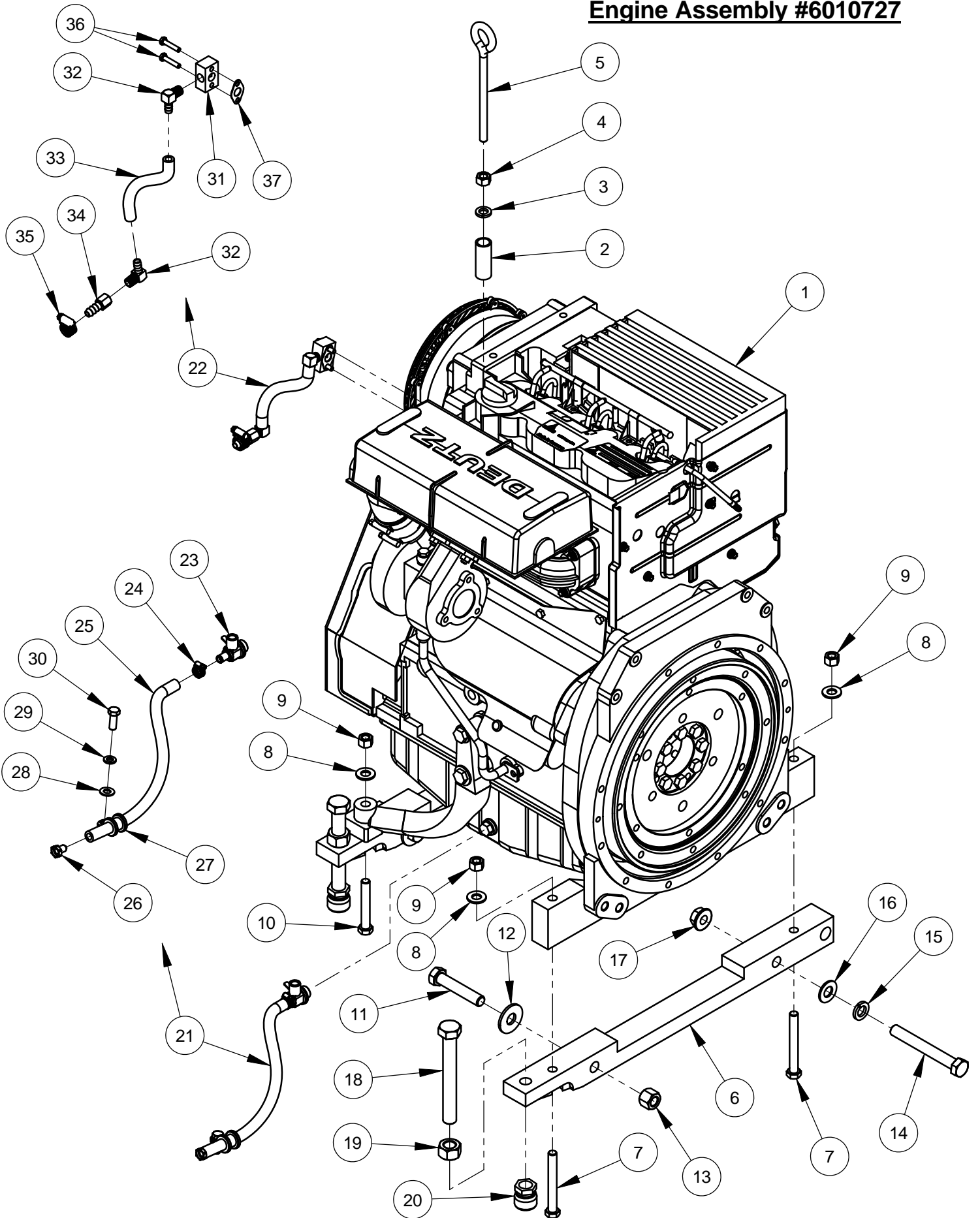
\*Use #6010758 for saws prior to May 2007



ITEM	PART NO.	QTY.	DESCRIPTION
1	6010759	1	Blade Shaft
2	2500151	3	Blade Shaft Bearing, 1-3/4"
3	2900709	2	Grease Fitting, 1/8" NPT x 2-5/8"
4	2900264	1	Grease Fitting, 1/8" NPT x 1-3/4"
5	3200154	1	Pipe Elbow, 1/8" NPT Female
6	3200179	1	Pipe Nipple, 1/8" NPT x 3"
7	4645006	1	Key, 3/8" Sq. x 4"
8	6012065	2	Key, 3/8" Sq. x 3-1/2"
9	6010040	2	Key, 1/4" Sq. x 13/16"
10	2900418	2	Set Screw, Soc. Hd., 5/16-18 x 5/8"
11	2900721	6	Flat Washer, 5/8" USS Hardened
12	2900113	7	Lock Washer, 5/8" Split
13	2900195	6	Cap Screw, Hex Hd., 5/8-11 x 3"
14	2900002	1	Flat Washer, 5/8" SAE
15	2900146	1	Cap Screw, Hex Hd., 5/8-11 x 4"
16	2900712	1	Cap Screw, Flat Hd., 5/8-11 x 2" LH
17	6010255	2	Inner Flange 5"
18	6010760B	1	Blade Spacer, 5" O.D.
19	6047907	1	Outer Flange 5" with Pin
	2900197	1	Dowel Pin, 3/8" Dia. x 2"
20	6010765B	1	Flange Cover, 5" O.D.
21	6010814	2	Sheave, 3.65" x 10 Groove x 1-3/4" Bore
22	2900142	8	Set Screw, Soc. Hd., 5/16-18 x 3/8"
23	6010230	1	Shaft Tach Gear, Split
24	6010035	1	Blade Shaft Bearing Spacer 5/8"

→ #6011139 for saws prior to May 2007

# Engine Assembly #6010727





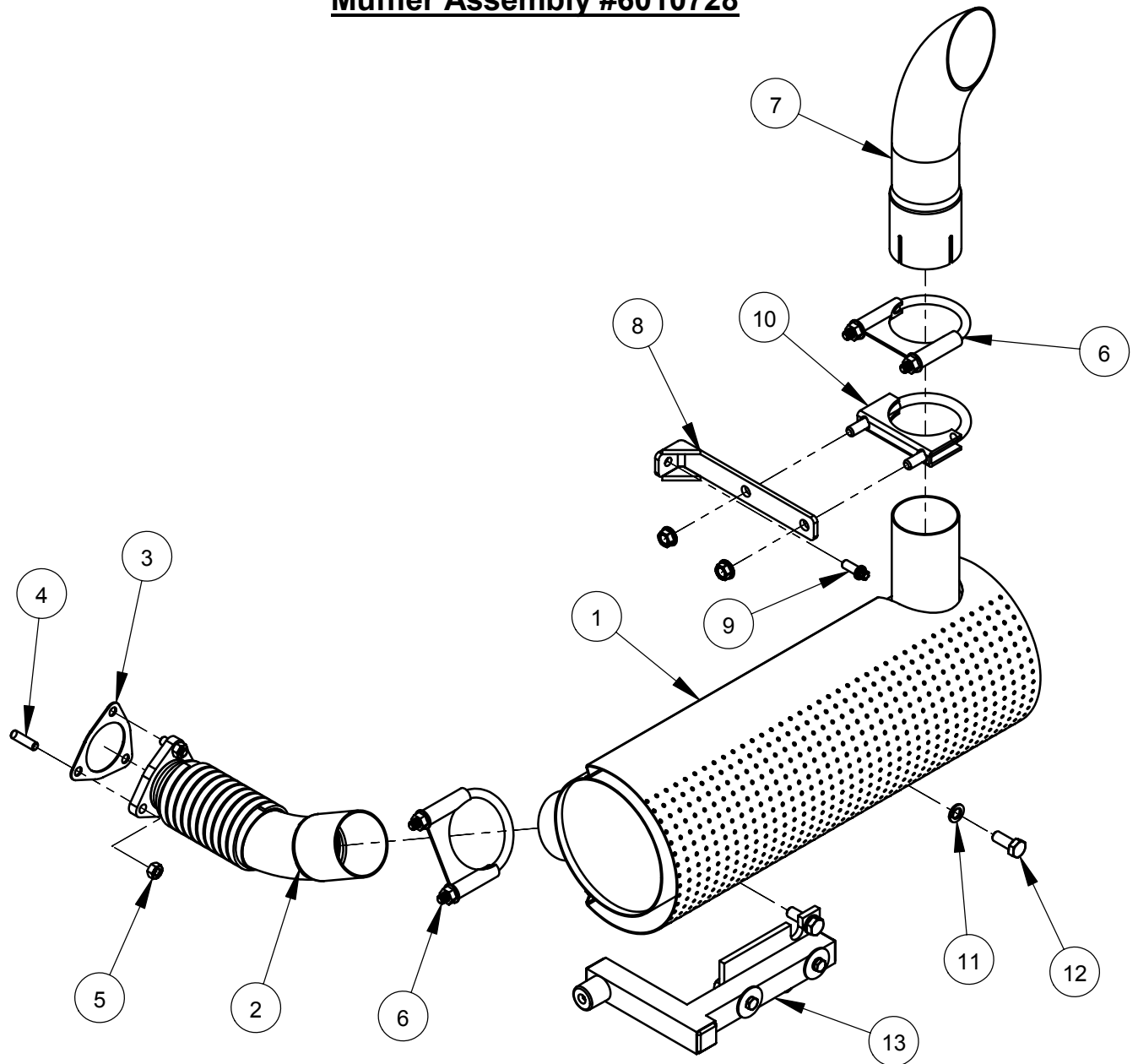
## Engine Assembly #6010727

ITEM	PART NO.	QTY.	DESCRIPTION
1	2600326	1	Engine, Deutz Model BF3L2011
2	6090417	1	Spacer, 2-1/4" Long
3	2900084	1	Lock Washer, 1/2" Split
4	2900482	1	Hex Nut, M12
5	2900481	1	Eyebolt, M12 x 6"
6	6010659	2	Engine Support Leg
7	2900347	2	Cap Screw, Hex Hd., M12 x 100mm
8	2900058	4	Flat Washer, 1/2" SAE
9	2900327	4	Lock Nut, M12 Nylon
10	2900346	2	Cap Screw, Hex Hd., M12 x 80mm
11	2900137	2	Cap Screw, Hex Hd., 5/8-11 x 3-1/4"
12	2900721	2	Flat Washer, 5/8" USS Hardened
13	2900135	2	Lock Nut, 5/8-11 Nylon
14	2900502	2	Cap Screw, Hex Hd., 5/8-11 x 5"
15	2900113	2	Lock Washer, 5/8" Split
16	2900002	2	Flat Washer, 5/8" SAE
17	2900491	2	Lock Nut, 5/8-11 Flanged
18	2900480	2	Tap Bolt, Hex Hd., 3/4-10 x 6"
19	2900041	2	Hex Nut, 3/4-10
20	2900476	2	Swivel Pad Nut, 3/4-10
21	6010698	1	Oil Drain Valve Assembly
22	6010712	1	Crankcase Breather Assembly

ITEM	PART NO.	QTY.	DESCRIPTION
23	3200814	1	Oil Drain Valve, M18x1.5
24	3200062	1	Hose Clamp #4
25	6010364	1	Oil Drain Hose, 3/8" I.D. x 14"
26	3200741	1	Hose Plug
27	2501434	1	Hose Clamp, 5/8" x 3/4" Wide
28	2900014	1	Flat Washer, 3/8" SAE
29	2900006	1	Lock Washer, 3/8" Split
30	2900005	1	Cap Screw, Hex Hd., 3/8-16 x 1"

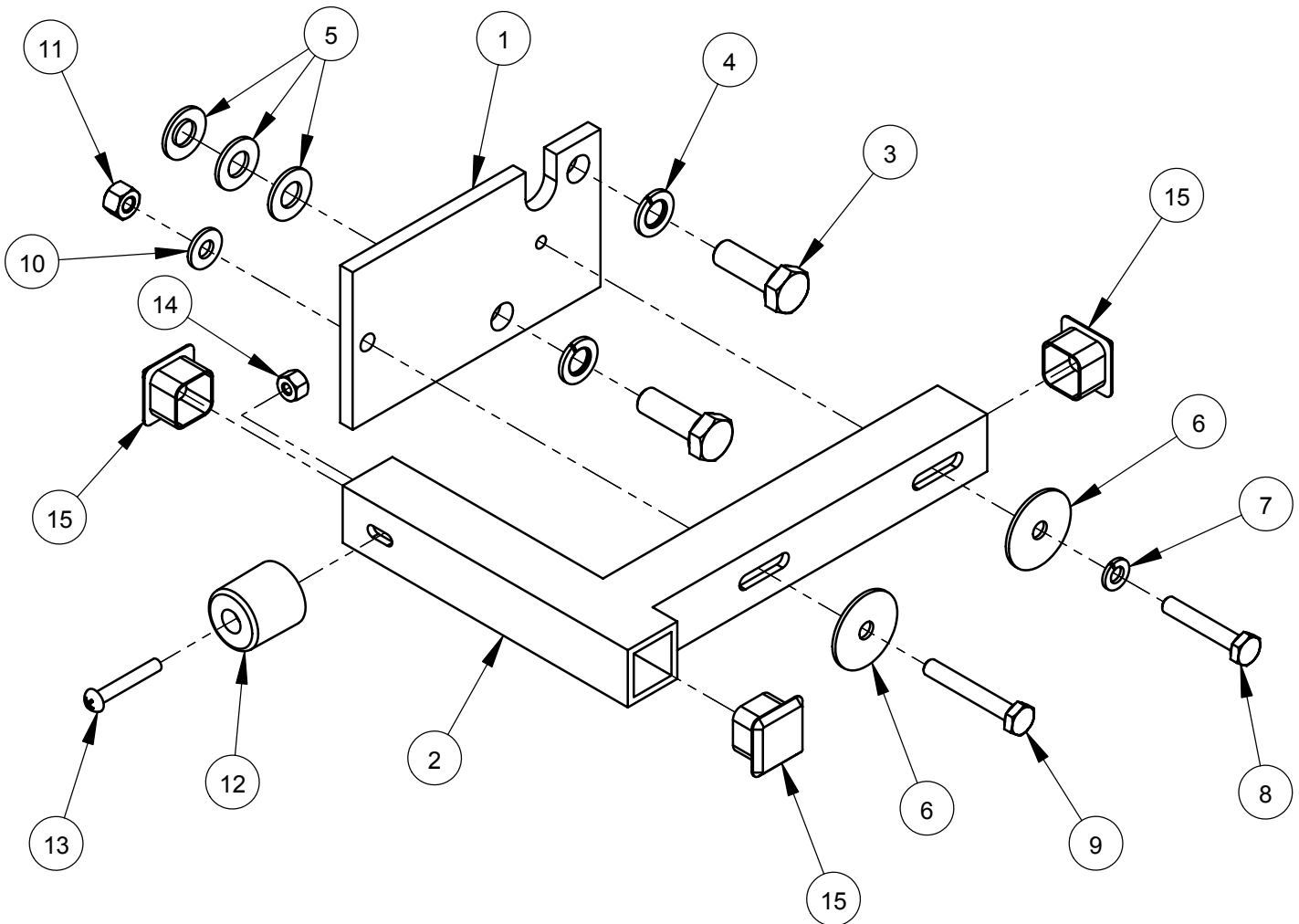
ITEM	PART NO.	QTY.	DESCRIPTION
31	6010710	1	Breather Block
32	3200475	2	Elbow, 1/4" M. Pipe to 3/8" Hose Barb
33	6010711	1	Breather Hose, 3/8" I.D. x 5"
34	3200031	1	Fitting, 1/4" F. Pipe to 3/8" Hose Barb
35	3200016	1	Hose Clamp #8
36	2900342	2	Cap Screw, Hex Hd., M6 x 30mm
37	2702620	1	Gasket, Crankcase Breather

## Muffler Assembly #6010728



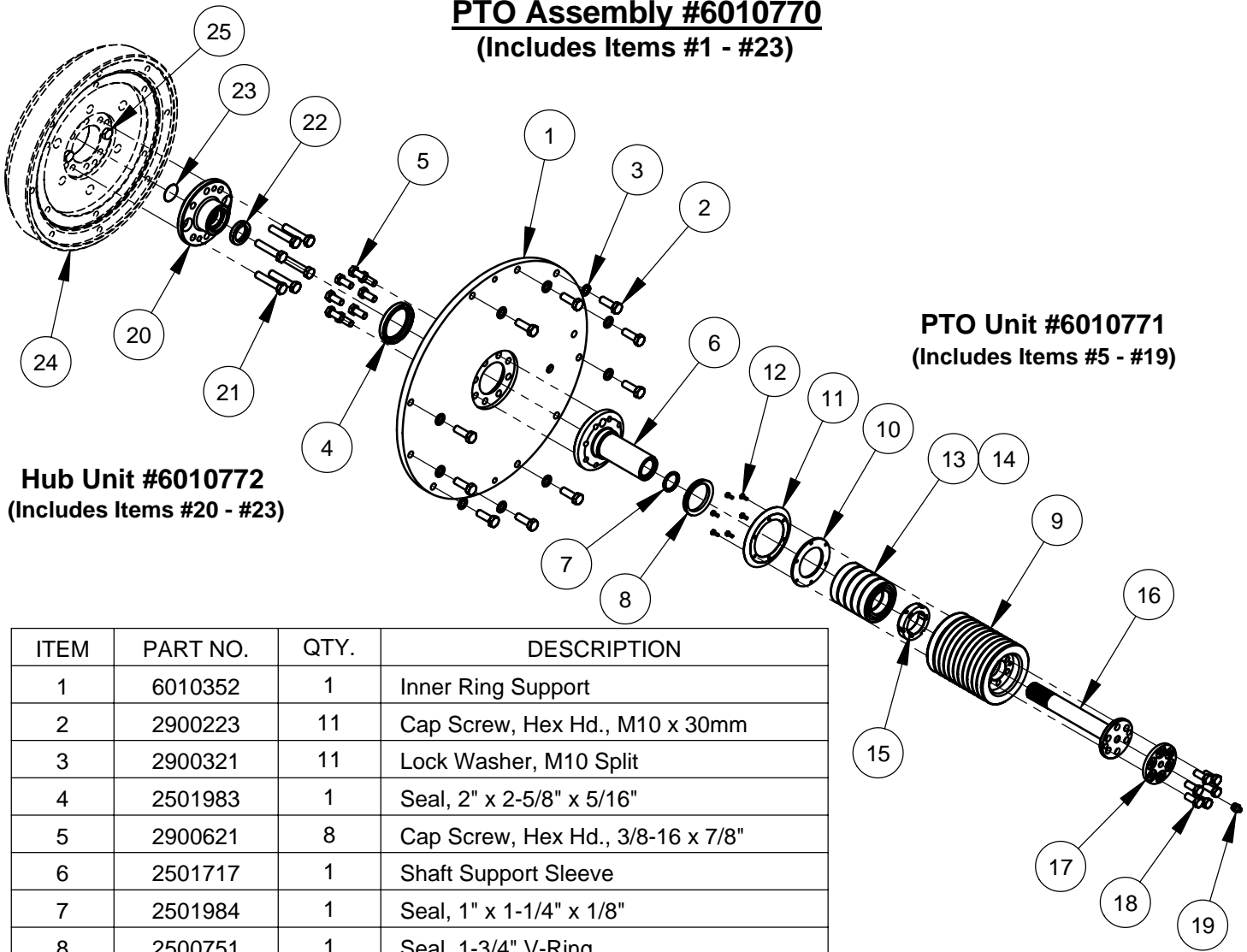
ITEM	PART NO.	QTY.	DESCRIPTION
1	2702785	1	Muffler
2	2702786	1	Exhaust Pipe
3	2701618	1	Gasket, Turbo Outlet
4	2702549	3	Stud, M8 x 30mm
5	2900343	3	Hex Nut, M8
6	2700609	2	Muffler Clamp 2-1/2"
7	2501775	1	Tail Pipe, 2-1/2" I.D. x 12"
8	6010691	1	Muffler Stabilizer Bar
9	2702619	1	Screw, Torx Head, M8 x 20mm
10	2501786	1	Muffler Clamp, 2-1/2"
11	2900321	1	Lock Washer, M10 Split
12	2900333	1	Cap Screw, Hex Hd., M10 x 25mm
13	6010696	1	Pointer Stop Assembly

## Pointer Stop Assembly #6010696



ITEM	PART NO.	QTY.	DESCRIPTION
1	6010688	1	Adapter Plate
2	6010583	1	Pointer Stop
3	2900223	2	Cap Screw, Hex Hd., M10 x 30mm
4	2900321	2	Lock Washer, M10 Split
5	2900014	3	Flat Washer, 3/8" SAE
6	2900083	2	Fender Washer, 1/4" x 1-1/4"
7	2900024	1	Lock Washer, 1/4" Split
8	2900048	1	Cap Screw, Hex Hd., 1/4-20 x 1-1/2"
9	2900392	1	Cap Screw, Hex Hd., 1/4-20 x 1-3/4"
10	2900009	1	Flat Washer, 1/4" SAE
11	2900010	1	Lock Nut, 1/4-20 Nylon
12	2501093	1	Bumper, 1"
13	2900172	1	Machine Screw, Rd. Hd., #10-24 x 1-1/4"
14	2900017	1	Lock Nut, #10-24 Nylon
15	2500573	3	Plug, 1" Square Tube

**PTO Assembly #6010770**  
(Includes Items #1 - #23)



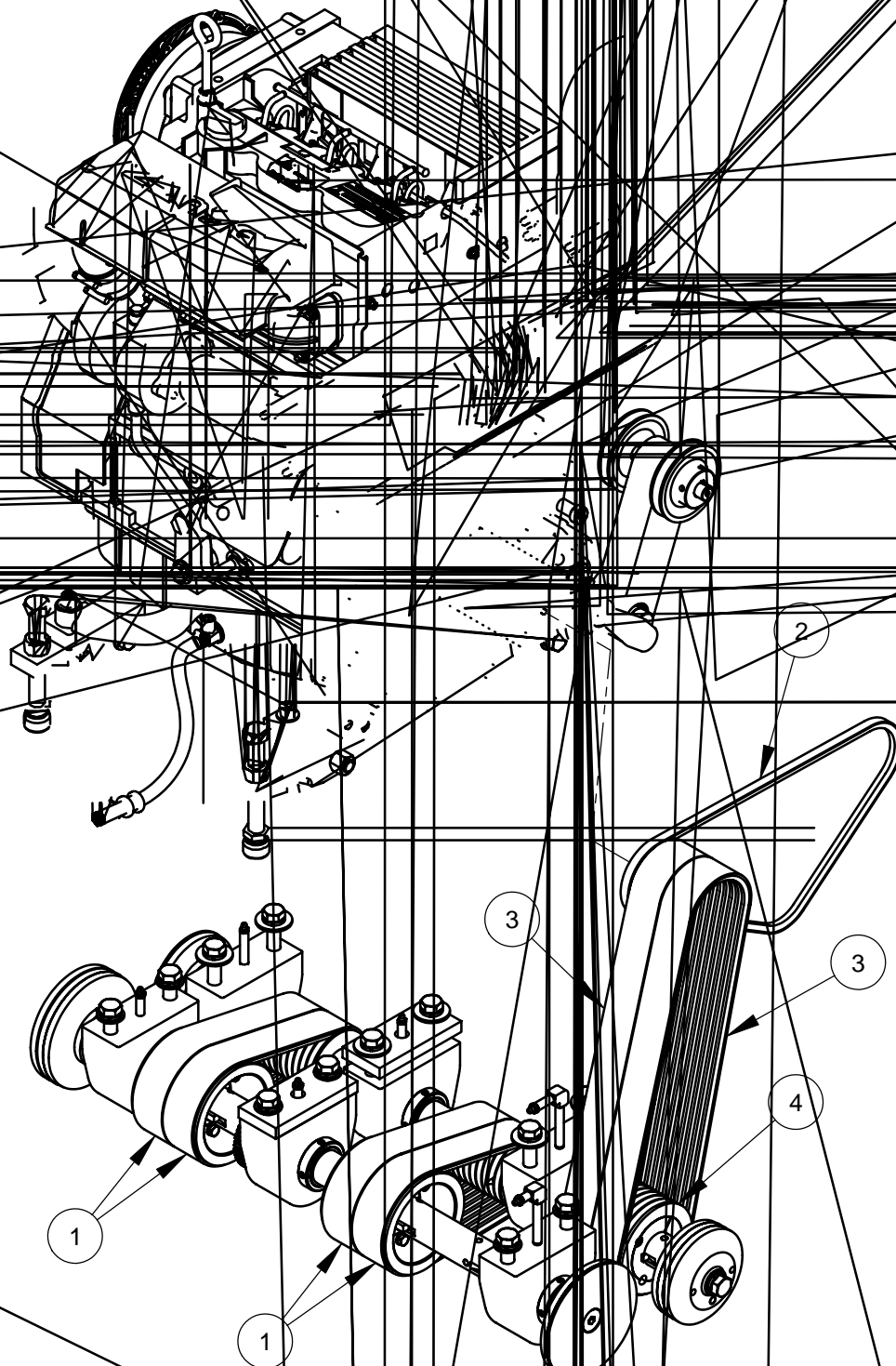
**Hub Unit #6010772**  
(Includes Items #20 - #23)

**PTO Unit #6010771**  
(Includes Items #5 - #19)

ITEM	PART NO.	QTY.	DESCRIPTION
1	6010352	1	Inner Ring Support
2	2900223	11	Cap Screw, Hex Hd., M10 x 30mm
3	2900321	11	Lock Washer, M10 Split
4	2501983	1	Seal, 2" x 2-5/8" x 5/16"
5	2900621	8	Cap Screw, Hex Hd., 3/8-16 x 7/8"
6	2501717	1	Shaft Support Sleeve
7	2501984	1	Seal, 1" x 1-1/4" x 1/8"
8	2500751	1	Seal, 1-3/4" V-Ring
9	2501722	1	Sheave, 4" x 11 Groove
10	2501719	1	Bearing Retainer Plate
11	2501998	1	Grease Slinger Disc
12	2900624	6	Machine Screw, Hex Hd., #6-32 x 3/8"
13	2501986	5	Ball Bearing, 40mm x 68mm x 15mm
14	2501747	4	Shim, 40mm x 50mm x 0.1mm
15	2900654	1	Bearing Lock Nut, 1-9/16"-18
16	2501720	1	Splined Drive Shaft
17	2501985	1	Grease Disc
18	2900954	6	Cap Screw, Hex Hd., 3/8-24 x 7/8"
19	2900062	1	Grease Fitting, 1/8" NPT
20	2501721	1	Coupling Hub
21	2900633	6	Cap Screw, Hex Hd., M10x1.0 x 50mm
22	2501714	1	Seal, 1" x 1-1/2" x 1/4"
23	2501670	1	Hubbard Plug, 1-1/8"
24	2701276	1	Flywheel, Deutz Engine
25	2702756	2	Cap Screw, Hex Hd., M10x1.0 x 40mm

# Belt Drive Assembly #6010812

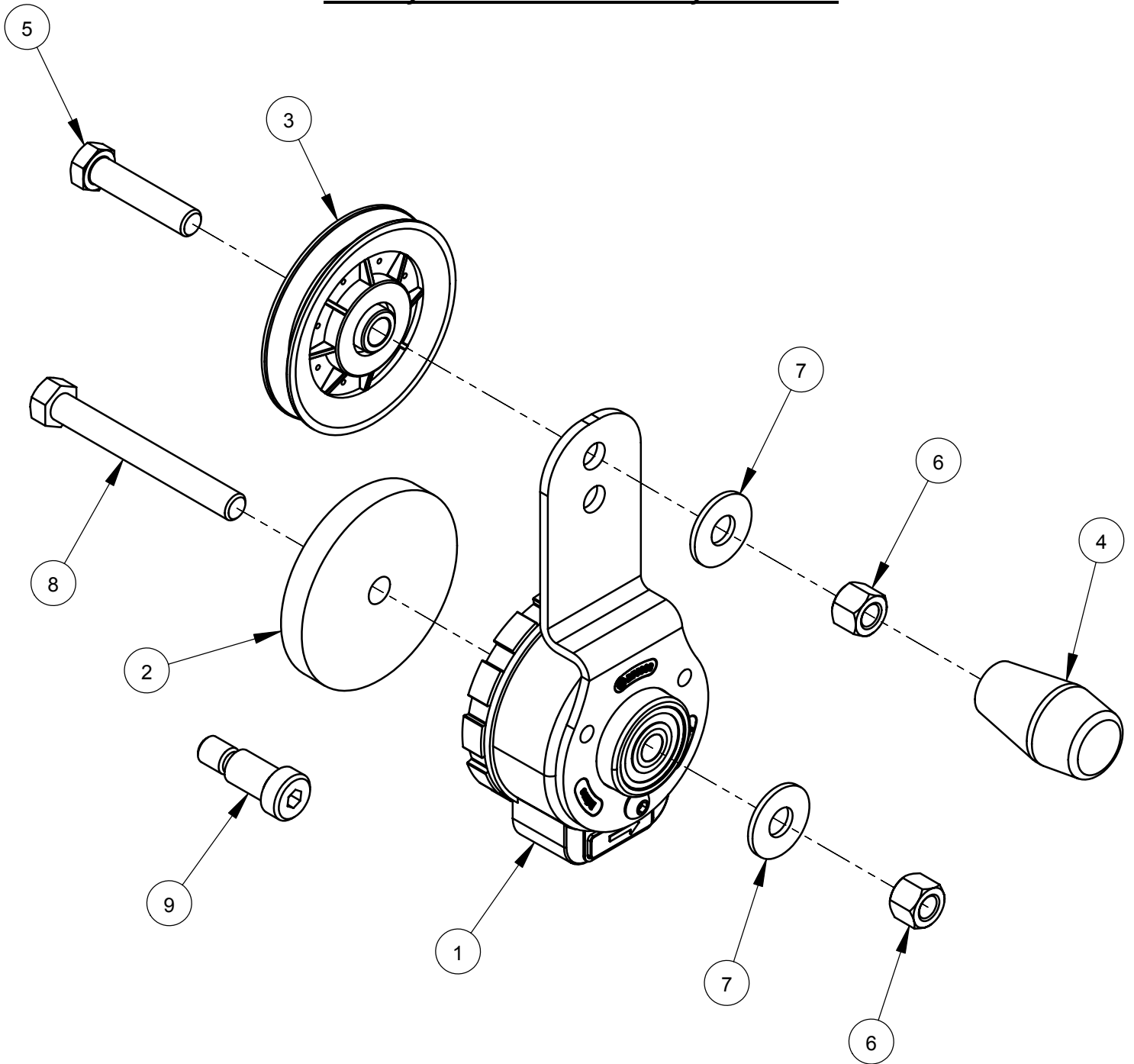
(Use #6010763 for saws prior to May 2007)



ITEM	PART NO.	QTY.	DESCRIPTION
1	2501896	4	Banded Belt, 5/31" X 280 - 5 Strand
2	2501781	1	V-Belt, AX42
3	2500268	2	Banded Belt, 5/31" X 500 - 5 Strand
4	6014016	1	Sheave, 4.75" x 10 Groove w/Bushing
	2500633	1	Sheave, 4.75" x 10 Groove Taper Style
	2500454	1	Taper Bushing, 1-3/4" w/Setscrews

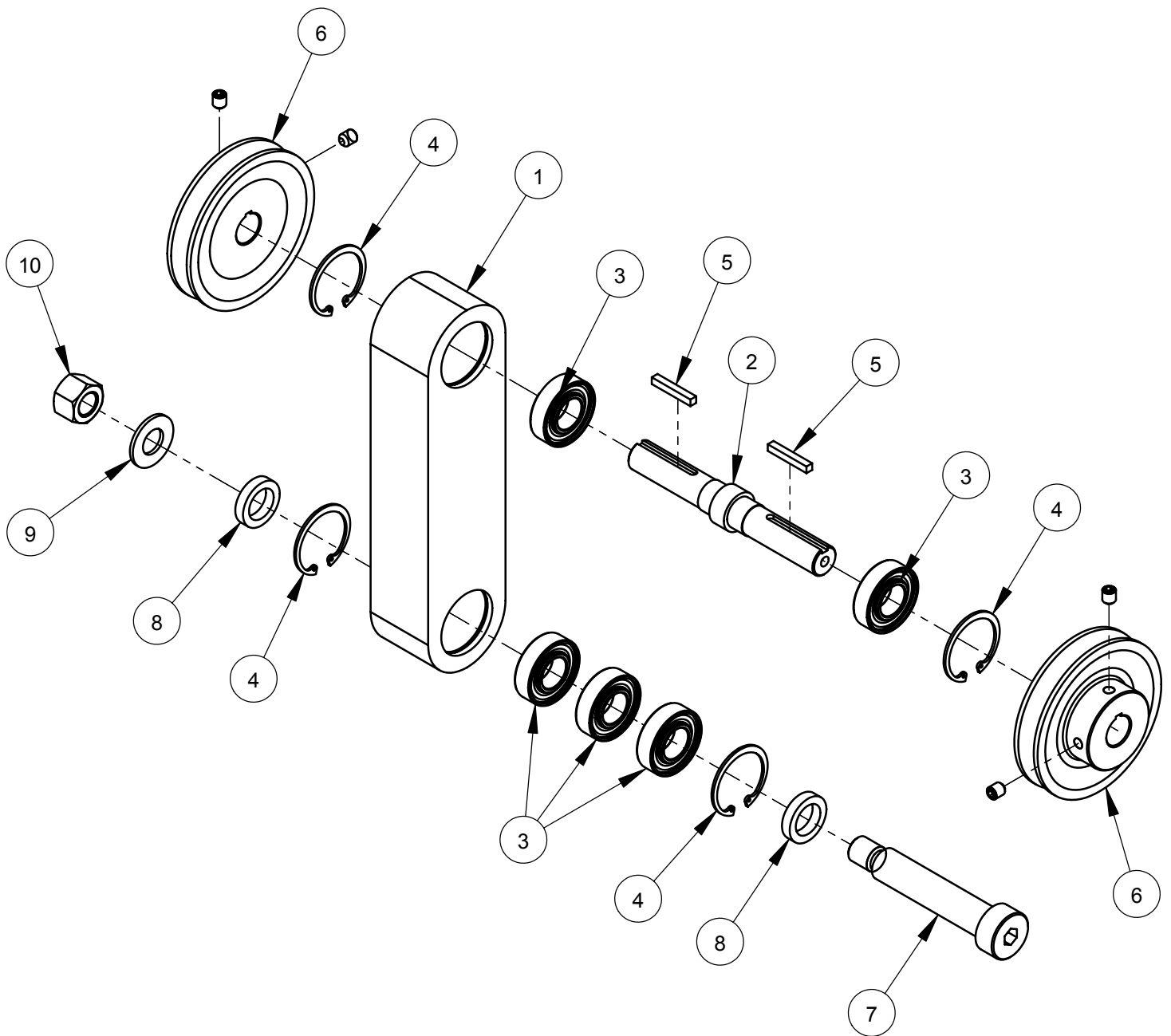
For saws prior to May 2007:  
Use #2501911

## Rotary Tensioner Assembly #6010694



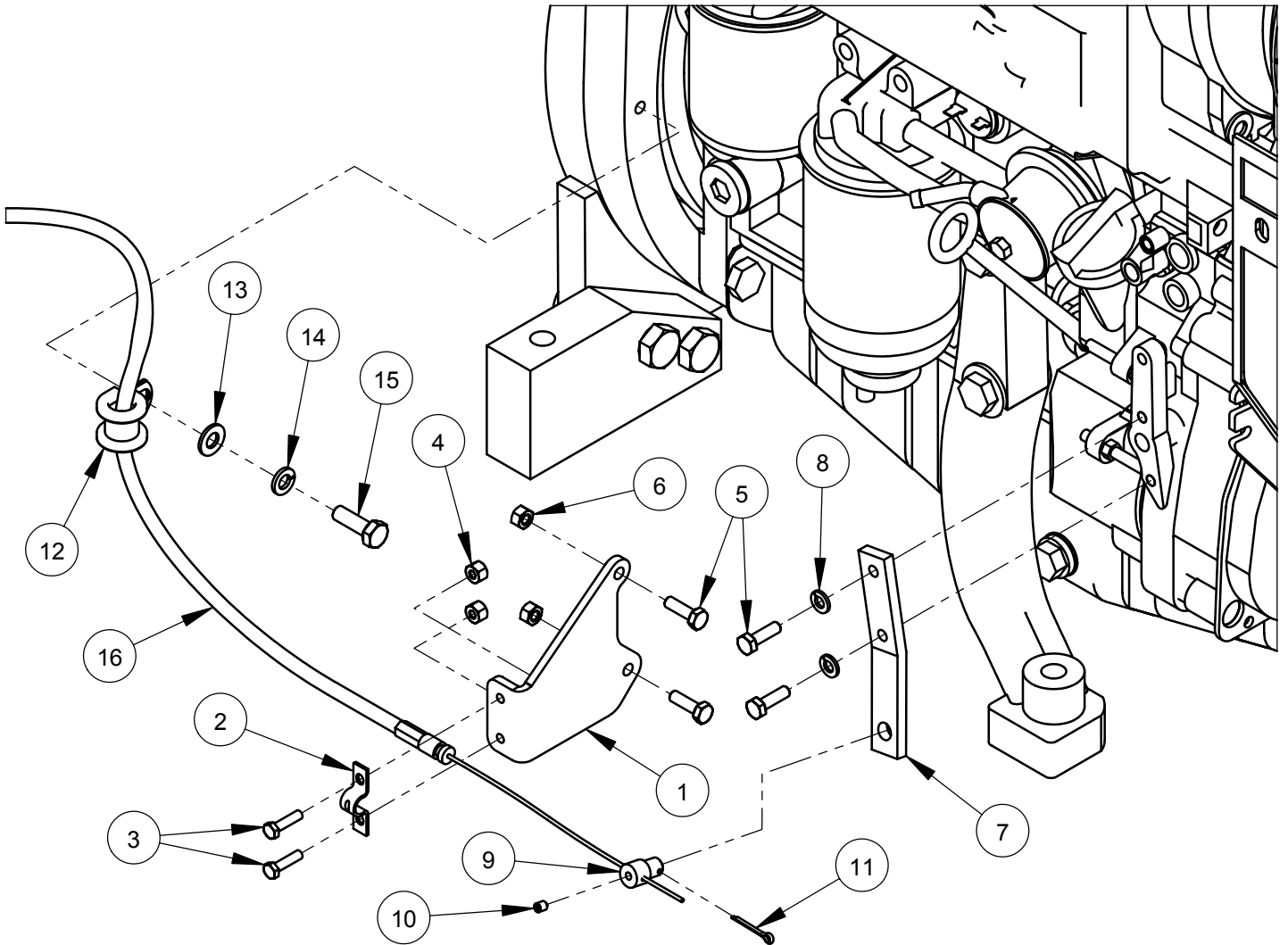
ITEM	PART NO.	QTY.	DESCRIPTION
1	2501750	1	Rotary Tensioner
2	6010684	1	Rotary Tensioner Spacer 1/2"
3	2501751	1	Idler Pulley 4"
4	2501754	1	Knob, 1/2-13 Tapered
5	2900192	1	Cap Screw, Hex Hd., 1/2-13 x 2-1/4"
6	2900026	2	Lock Nut, 1/2-13 Nylon
7	2900127	2	Flat Washer, 1/2" USS
8	2900414	1	Cap Screw, Hex Hd., 1/2-13 x 4-1/4"
9	2900477	1	Shoulder Screw, 5/8" x 1" (1/2-13)

## Transmission Jackshaft Assembly #6010695



ITEM	PART NO.	QTY.	DESCRIPTION
1	6010667	1	Jackshaft Pivot Housing
2	6010666	1	Transmission Jackshaft
3	2501743	5	Ball Bearing, 20mm x 42mm x 12mm
4	2501748	4	Retaining Ring, 42mm Internal
5	6048229	2	Key, 3/16" Sq. x 1-1/4"
6	2500455	2	Pulley, 4" Single Groove w/Setscrews
7	2900669	1	Shoulder Bolt, 20mm x 90mm (M16)
8	6010685	2	Bearing Spacer, 1/4"
9	2900002	1	Flat Washer, 5/8" SAE
10	2900670	1	Lock Nut, M16 Nylon

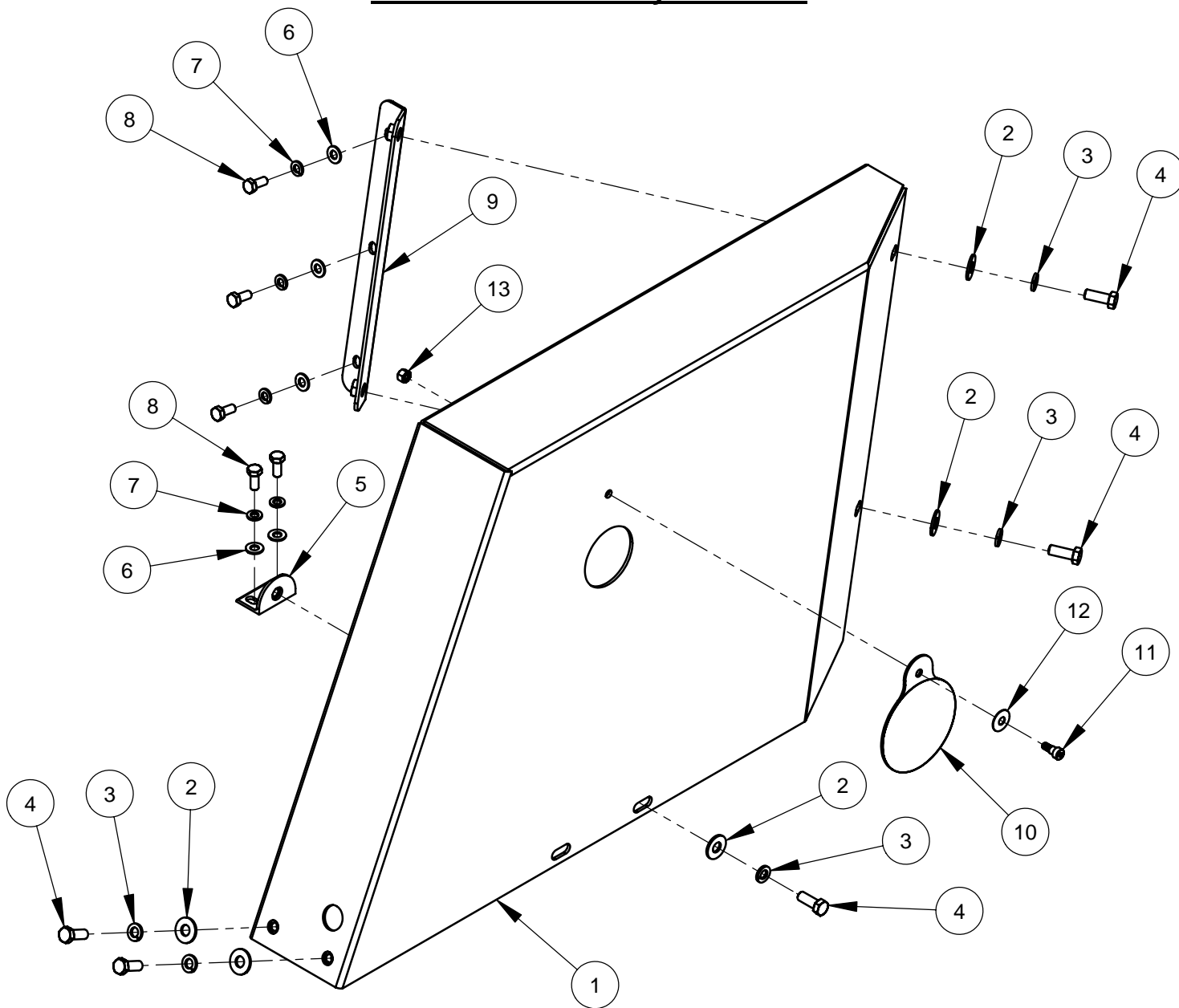
## Throttle Cable Assembly #6010729



ITEM	PART NO.	QTY.	DESCRIPTION
1	6010523	1	Throttle Bracket
2	2500940	1	Throttle Cable Clamp
3	2900015	2	Machine Screw, Hex Hd., #10-24 x 3/4"
4	2900017	2	Lock Nut, #10-24 Nylon
5	2900310	4	Cap Screw, Hex Hd., M6 x 20mm
6	2900302	2	Lock Nut, M6 Nylon
7	6013029	1	Throttle Arm
8	2900024	2	Lock Washer, 1/4" Split
9	6048212	1	Pivot Pin
10	2900059	1	Set Screw, Soc. Hd., #10-32 x 1/4"
11	2900034	1	Cotter Pin, 3/32" x 3/4"
12	2501434	1	Hose Clamp, 1/2" x 3/4" Wide
13	2900022	1	Flat Washer, 5/16" SAE
14	2900031	1	Lock Washer, 5/16" Split
15	2900360	1	Cap Screw, Hex Hd., M8 x 25mm
16	2500376	1	Vernier Throttle Cable

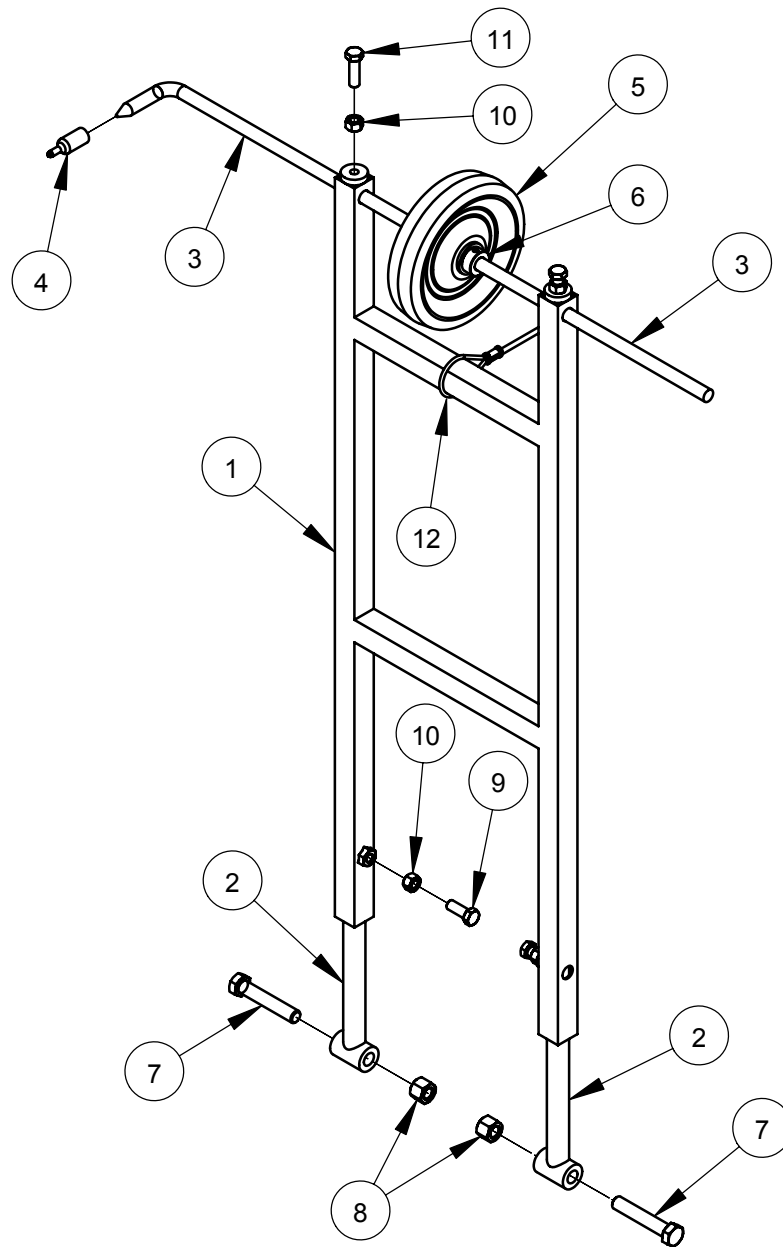


## Belt Guard Assembly #6010732



ITEM	PART NO.	QTY.	DESCRIPTION
1	6010690	1	Belt Guard
2	2900473	5	Flat Washer, 3/8" USS
3	2900006	5	Lock Washer, 3/8" Split
4	2900005	5	Cap Screw, Hex Hd., 3/8-16 x 1"
5	6010558	1	Guard Mounting Tab, 3/8-16
6	2900022	5	Flat Washer, 5/16" SAE
7	2900031	5	Lock Washer, 5/16" Split
8	2900019	5	Cap Screw, Hex Hd., 5/16-18 x 3/4"
9	6010556	1	Belt Guard Mount Bracket
10	6010768	1	Swing Cover Plate with Label
11	2900246	1	Shoulder Screw, 5/16" x 1/4" (1/4-20)
12	2900252	1	Belleville Washer, 5/16"
13	2900010	1	Lock Nut, 1/4-20 Nylon

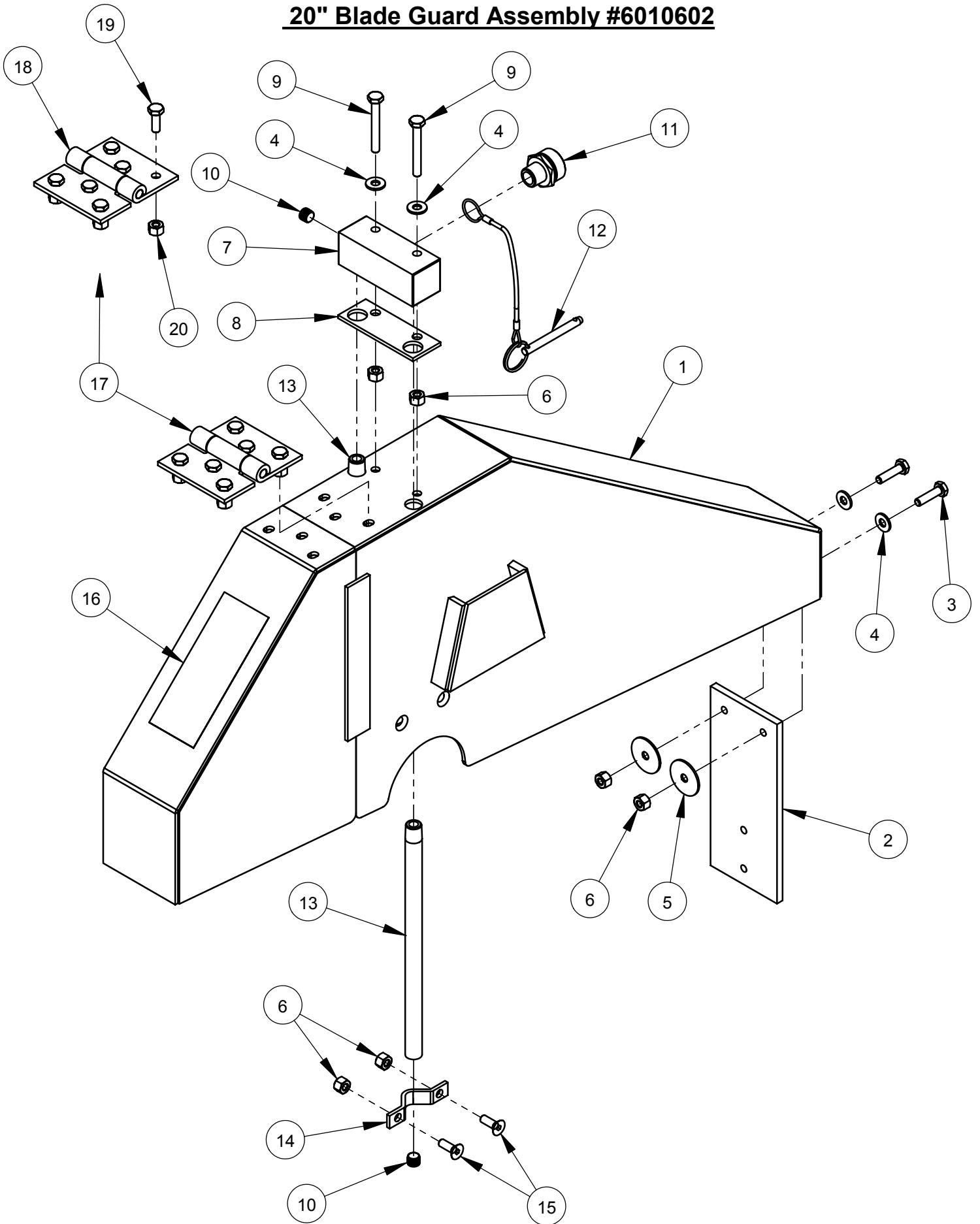
## Front Pointer Assembly #6010540



ITEM	PART NO.	QTY.	DESCRIPTION
1	6010541	1	Front Pointer Frame
2	6011152	2	Front Pointer Arm
3	6013025	1	Front Pointer Rod
4	2500740	1	Pointer Cap
5	2501409	1	Wheel, 6"
6	2500007	2	Set Collar, 1/2" with Set Screw
7	2900105	2	Cap Screw, Hex Hd., 1/2-13 x 2-3/4"
8	2900026	2	Lock Nut, 1/2-13 Nylon
9	2900005	2	Cap Screw, Hex Hd., 3/8-16 x 1"
10	2900033	4	Hex Nut, 3/8-16
11	2900013	2	Cap Screw, Hex Hd., 3/8-16 x 1-1/4"
12	6013159	1	Pointer Lanyard



**20" Blade Guard Assembly #6010602**

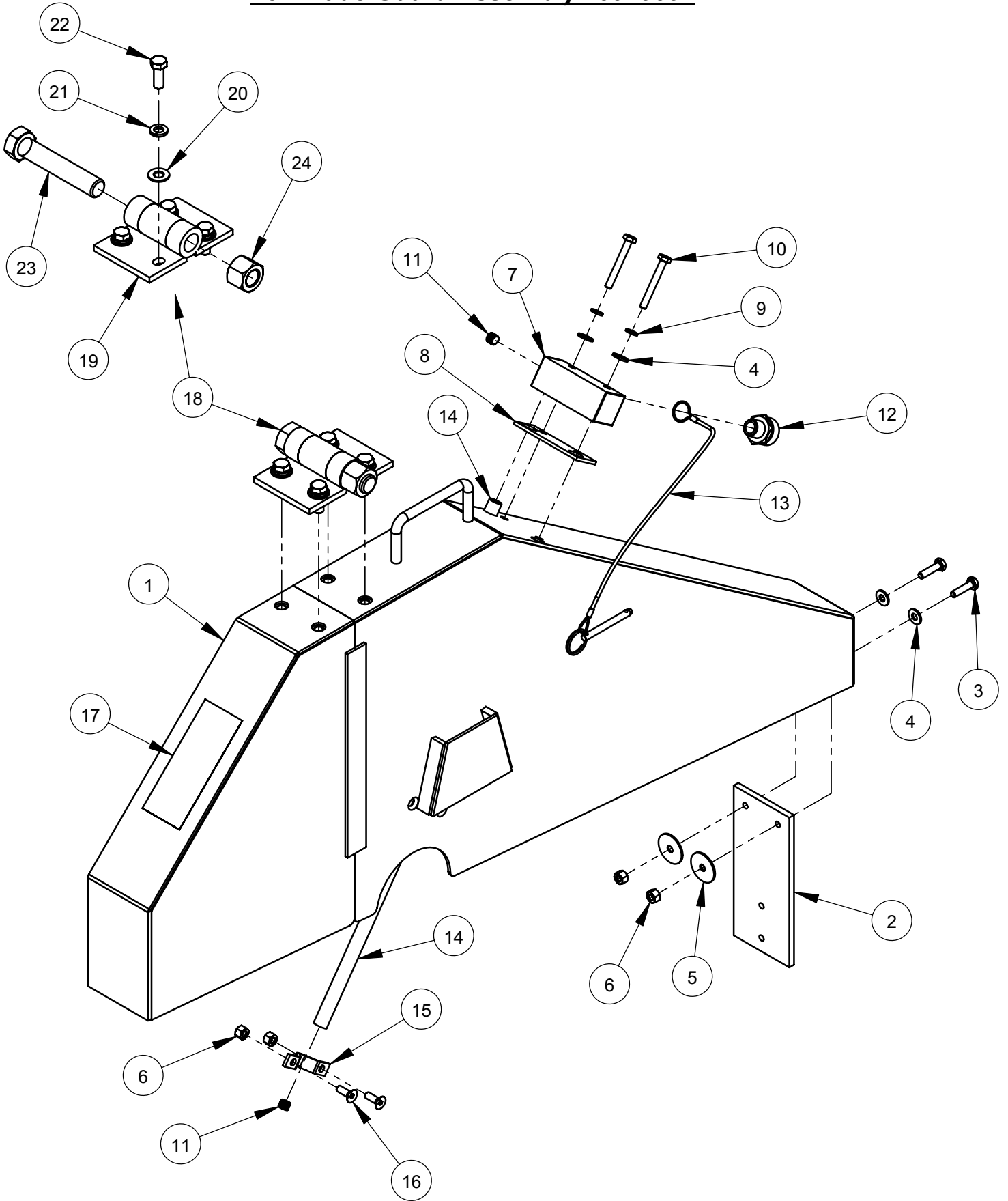


## 20" Blade Guard Assembly #6010602

ITEM	PART NO.	QTY.	DESCRIPTION
1	6010603	1	20" Blade Guard Front & Rear Only
2	6010081	1	Splash Flap
3	2900008	2	Cap Screw, Hex Hd., 1/4-20 x 1"
4	2900009	4	Flat Washer, 1/4" SAE
5	2900083	2	Fender Washer, 1/4" x 1-1/4"
6	2900010	8	Lock Nut, 1/4-20 Nylon
7	6010261	1	Water Manifold
8	2500830	1	Water Manifold Gasket
9	2900294	2	Cap Screw, Hex Hd., 1/4-20 x 2"
10	3200001	3	Plug, 1/8" NPT
11	3200002	1	Fitting, 3/8" M. Pipe to 3/4" M. Garden
12	2900278	1	Lanyard with Lock Pin
13	6010085	2	Water Tube for 20" Guard
14	6048155	2	Water Tube Clamp
15	2900020	4	Cap Screw, Flat Hd., 1/4-20 x 3/4"
16	1800001	1	Warning Label
17	6010251	1	Hinge Assembly for 20" Guard

ITEM	PART NO.	QTY.	DESCRIPTION
18	2500270	1	Blade Guard Hinge
19	2900144	6	Cap Screw, Hex Hd., 1/4-20 x 3/4"
20	2900010	6	Lock Nut, 1/4-20 Nylon

**26" Blade Guard Assembly #6010604**

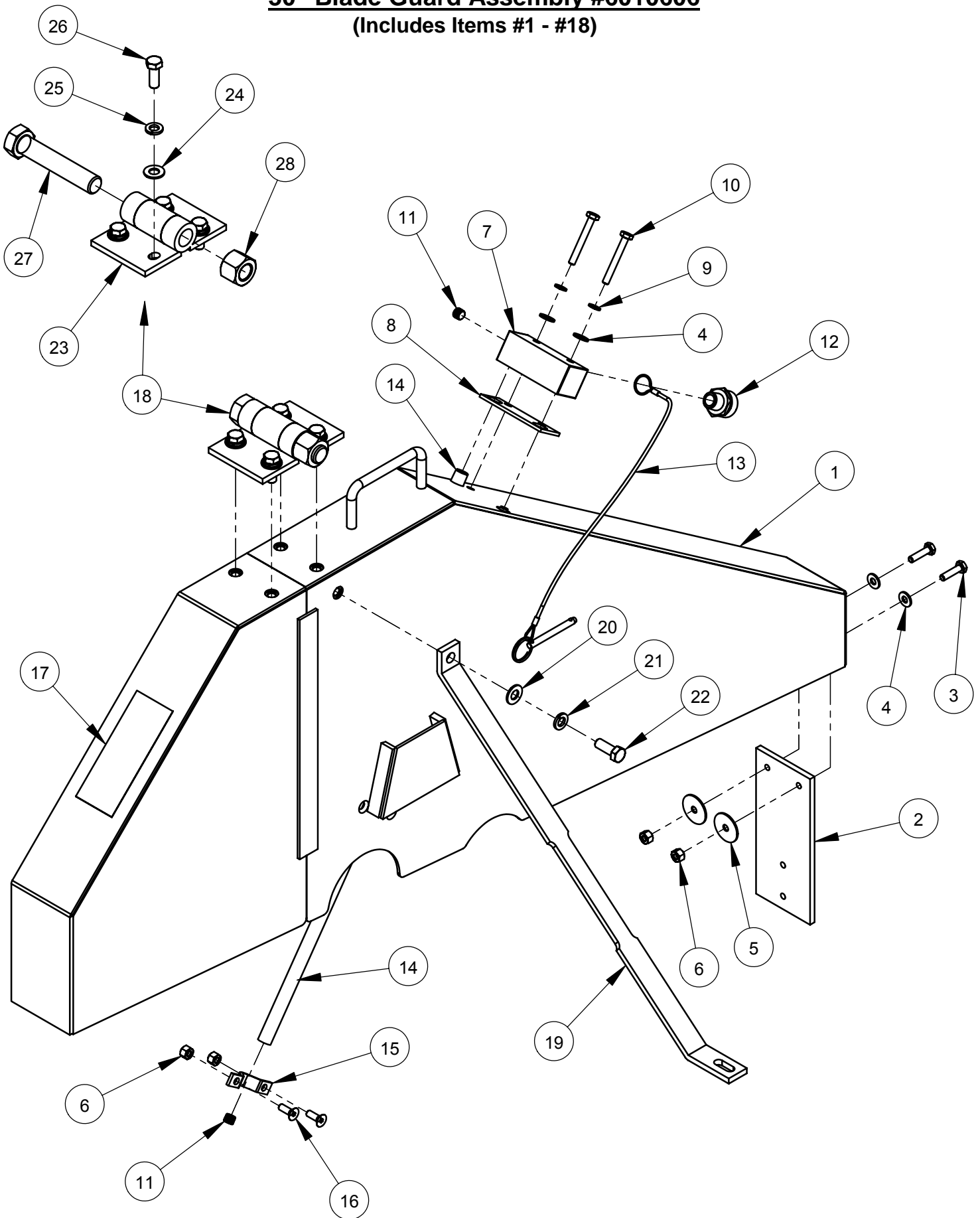


## 26" Blade Guard Assembly #6010604

ITEM	PART NO.	QTY.	DESCRIPTION
1	6010605	1	26" Blade Guard Front & Rear Only
2	6010081	1	Splash Flap
3	2900008	2	Cap Screw, Hex Hd., 1/4-20 x 1"
4	2900009	4	Flat Washer, 1/4" SAE
5	2900083	2	Fender Washer, 1/4" x 1-1/4"
6	2900010	6	Lock Nut, 1/4-20 Nylon
7	6010261	1	Water Manifold
8	2500830	1	Water Manifold Gasket
9	2900024	2	Lock Washer, 1/4" Split
10	2900294	2	Cap Screw, Hex Hd., 1/4-20 x 2"
11	3200001	3	Plug, 1/8" NPT
12	3200002	1	Fitting, 3/8" M. Pipe to 3/4" M. Garden
13	2900279	1	Lanyard with Lock Pin
14	6010086	2	Water Tube for 26" Guard
15	6048155	2	Water Tube Clamp
16	2900020	4	Cap Screw, Flat Hd., 1/4-20 x 3/4"
17	1800001	1	Warning Label
18	6010560	1	Blade Guard Hinge Assembly

ITEM	PART NO.	QTY.	DESCRIPTION
19	6010549	1	Blade Guard Hinge
20	2900014	4	Flat Washer, 3/8" SAE
21	2900006	4	Lock Washer, 3/8" Split
22	2900005	4	Cap Screw, Hex Hd., 3/8-16 x 1"
23	2900479	1	Cap Screw, Hex Hd., 3/4-10 x 4"
24	2900467	1	Lock Nut, 3/4-10 Nylon

**30" Blade Guard Assembly #6010606**  
(Includes Items #1 - #18)



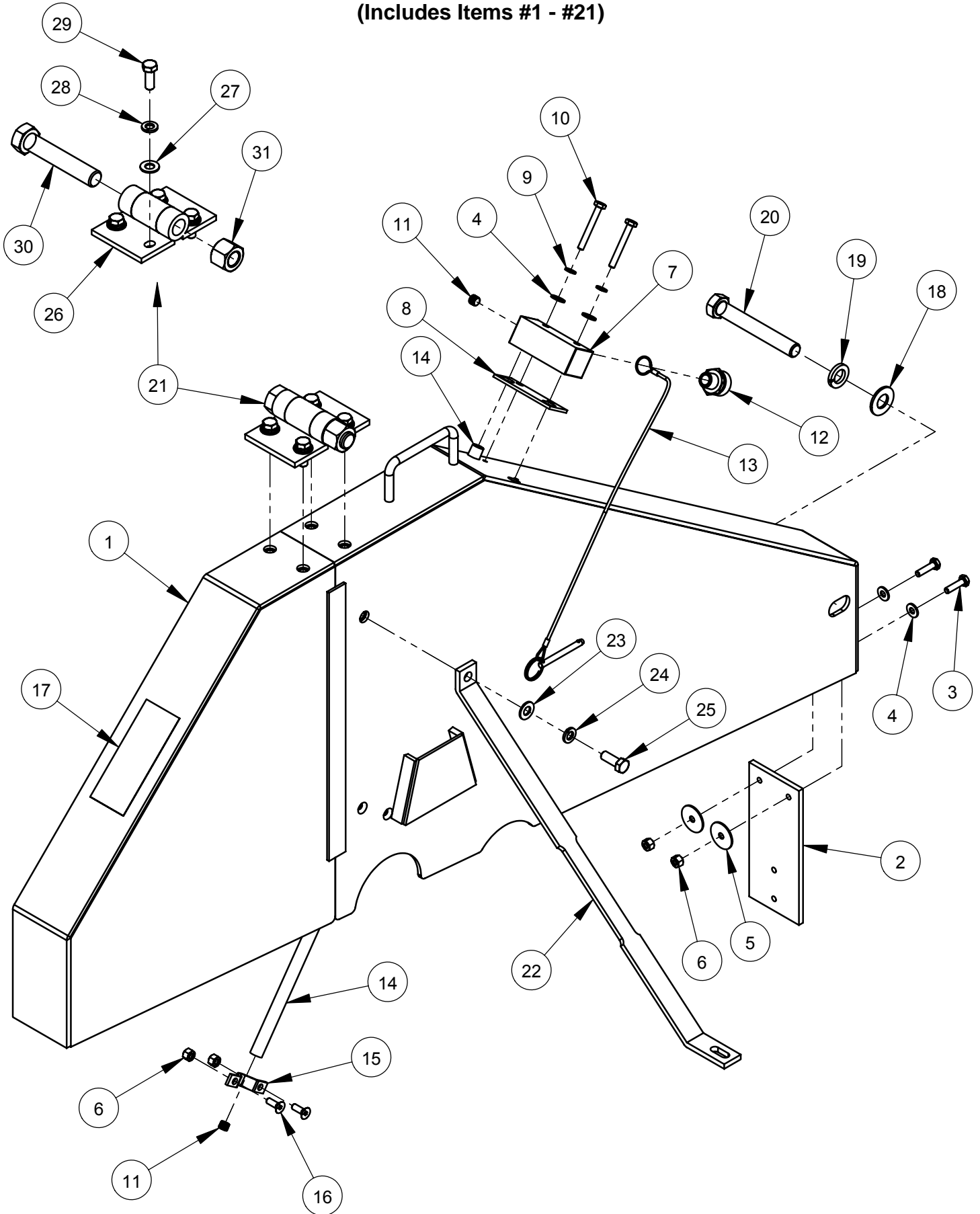


**30" Blade Guard Assembly #6010606**  
**(Includes Items #1 - #18)**

ITEM	PART NO.	QTY.	DESCRIPTION
1	6010607	1	30" Blade Guard Front & Rear Only
2	6010081	1	Splash Flap
3	2900008	2	Cap Screw, Hex Hd., 1/4-20 x 1"
4	2900009	4	Flat Washer, 1/4" SAE
5	2900083	2	Fender Washer, 1/4" x 1-1/4"
6	2900010	6	Lock Nut, 1/4-20 Nylon
7	6010261	1	Water Manifold
8	2500830	1	Water Manifold Gasket
9	2900024	2	Lock Washer, 1/4" Split
10	2900294	2	Cap Screw, Hex Hd., 1/4-20 x 2"
11	3200001	3	Plug, 1/8" NPT
12	3200002	1	Fitting, 3/8" M. Pipe to 3/4" M. Garden
13	2900279	1	Lanyard with Lock Pin
14	6010087	2	Water Tube for 30" Guard
15	6048155	2	Water Tube Clamp
16	2900020	4	Cap Screw, Flat Hd., 1/4-20 x 3/4"
17	1800001	1	Warning Label
18	6010560	1	Blade Guard Hinge Assembly
19	6010511	1	Blade Guard Brace
20	2900014	1	Flat Washer, 3/8" SAE
21	2900006	1	Lock Washer, 3/8" Split
22	2900005	1	Cap Screw, Hex Hd., 3/8-16 x 1"

ITEM	PART NO.	QTY.	DESCRIPTION
23	6010549	1	Blade Guard Hinge
24	2900014	4	Flat Washer, 3/8" SAE
25	2900006	4	Lock Washer, 3/8" Split
26	2900005	4	Cap Screw, Hex Hd., 3/8-16 x 1"
27	2900479	1	Cap Screw, Hex Hd., 3/4-10 x 4"
28	2900467	1	Lock Nut, 3/4-10 Nylon

**36" Blade Guard Assembly #6010608**  
(Includes Items #1 - #21)



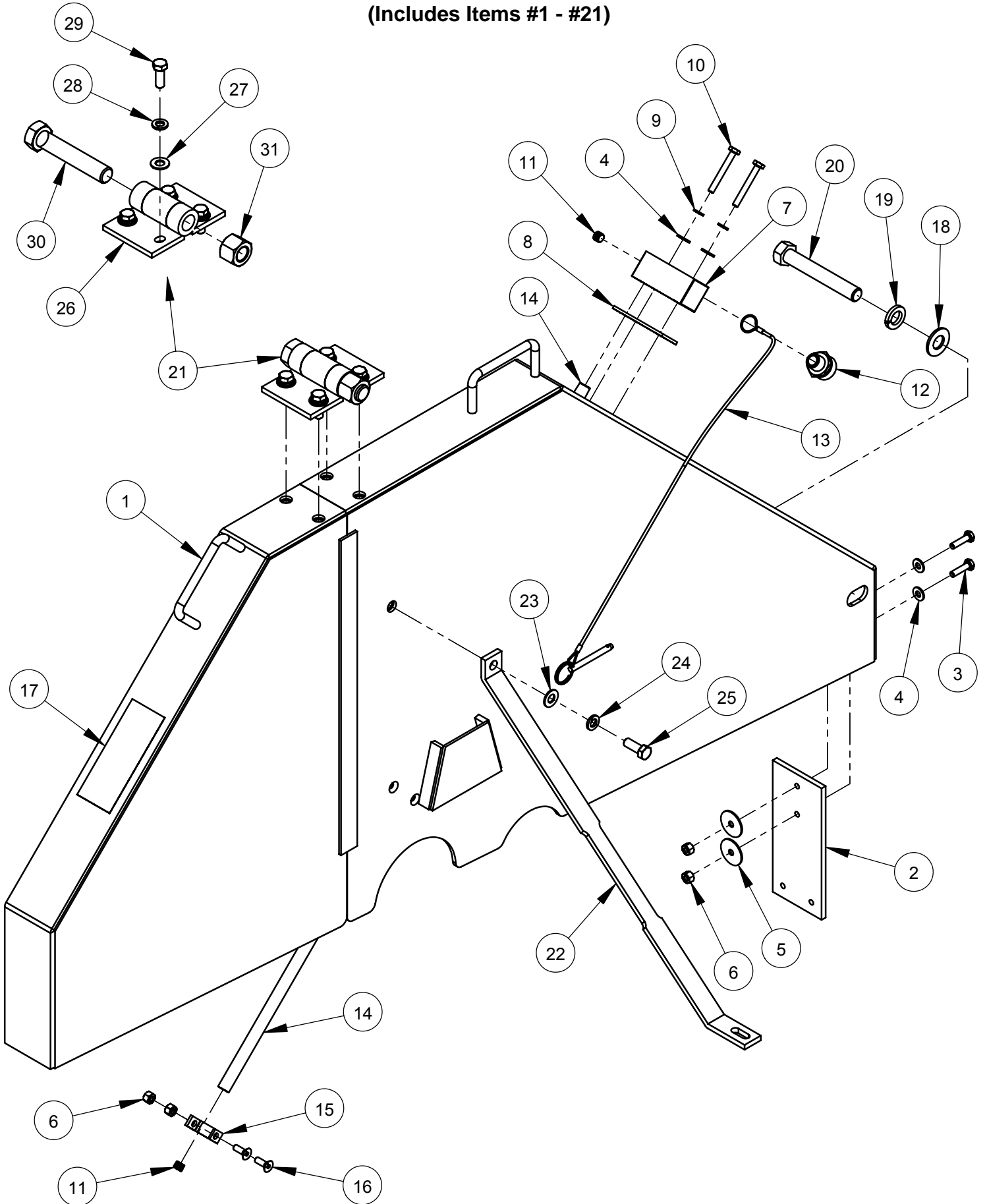
**36" Blade Guard Assembly #6010608**  
**(Includes Items #1 - #21)**

ITEM	PART NO.	QTY.	DESCRIPTION
1	6010609	1	36" Blade Guard Front & Rear Only
2	6010081	1	Splash Flap
3	2900008	2	Cap Screw, Hex Hd., 1/4-20 x 1"
4	2900009	4	Flat Washer, 1/4" SAE
5	2900083	2	Fender Washer, 1/4" x 1-1/4"
6	2900010	6	Lock Nut, 1/4-20 Nylon
7	6010264	1	Water Manifold for 36" Guard
8	2500830	1	Water Manifold Gasket
9	2900024	2	Lock Washer, 1/4" Split
10	2900294	2	Cap Screw, Hex Hd., 1/4-20 x 2"
11	3200001	3	Plug, 1/8" NPT
12	3200002	1	Fitting, 3/8" M. Pipe to 3/4" M. Garden
13	2900280	1	Lanyard with Lock Pin
14	6010088	2	Water Tube for 36" Guard
15	6048155	2	Water Tube Clamp
16	2900020	4	Cap Screw, Flat Hd., 1/4-20 x 3/4"
17	1800001	1	Warning Label
18	2900002	1	Flat Washer, 5/8" SAE
19	2900113	1	Lock Washer, 5/8" Split
20	2900585	1	Cap Screw, Hex Hd., 5/8-11 x 4-1/2"
21	6010560	1	Blade Guard Hinge Assembly
22	6010511	1	Blade Guard Brace
23	2900014	1	Flat Washer, 3/8" SAE
24	2900006	1	Lock Washer, 3/8" Split
25	2900005	1	Cap Screw, Hex Hd., 3/8-16 x 1"

ITEM	PART NO.	QTY.	DESCRIPTION
26	6010549	1	Blade Guard Hinge
27	2900014	4	Flat Washer, 3/8" SAE
28	2900006	4	Lock Washer, 3/8" Split
29	2900005	4	Cap Screw, Hex Hd., 3/8-16 x 1"
30	2900479	1	Cap Screw, Hex Hd., 3/4-10 x 4"
31	2900467	1	Lock Nut, 3/4-10 Nylon

# 42" Blade Guard Assembly #6010610

(Includes Items #1 - #21)

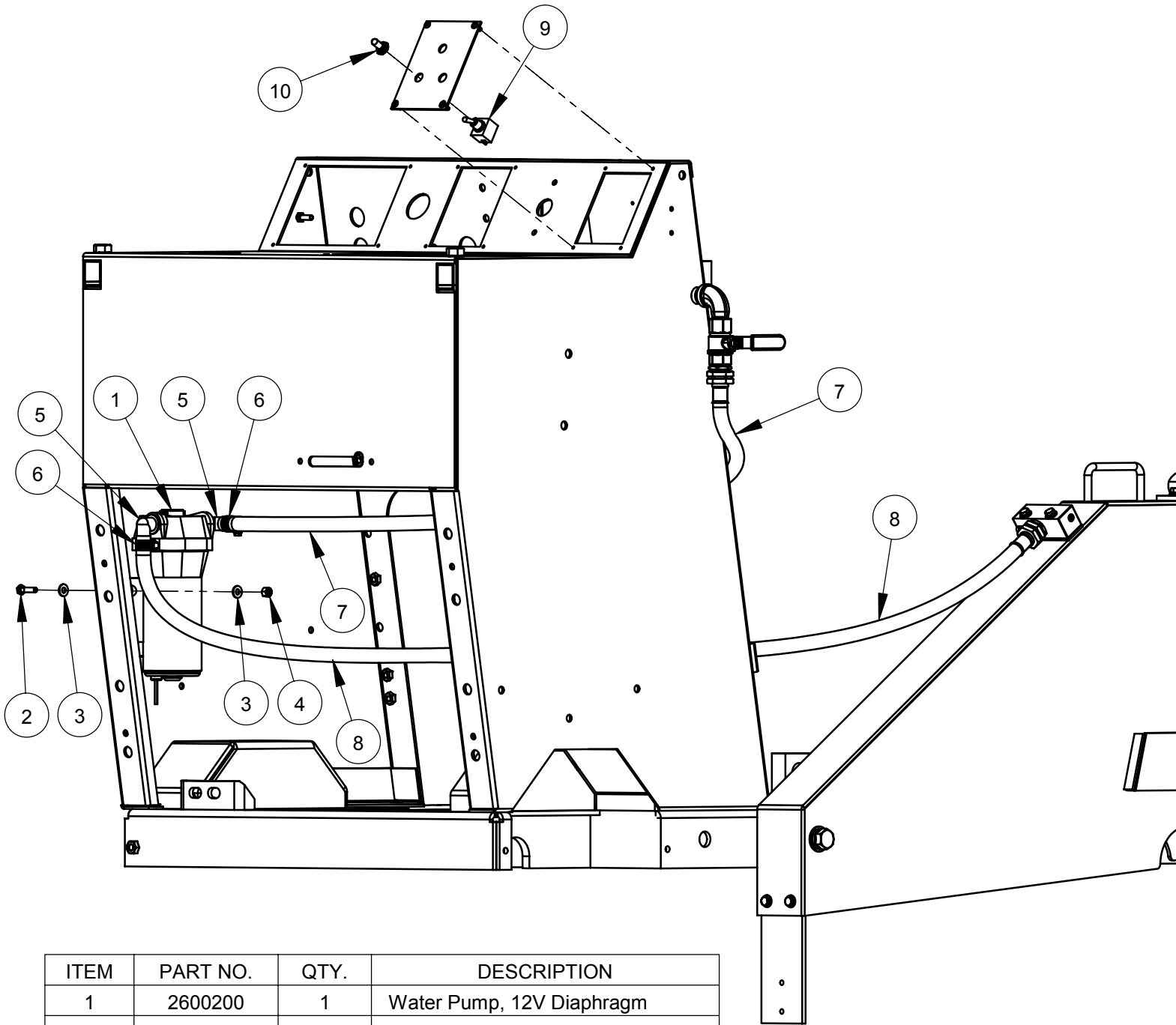


**42" Blade Guard Assembly #6010610**  
**(Includes Items #1 - #21)**

ITEM	PART NO.	QTY.	DESCRIPTION
1	6010611	1	42" Blade Guard Front & Rear Only
2	6010081	1	Splash Flap
3	2900008	2	Cap Screw, Hex Hd., 1/4-20 x 1"
4	2900009	4	Flat Washer, 1/4" SAE
5	2900083	2	Fender Washer, 1/4" x 1-1/4"
6	2900010	6	Lock Nut, 1/4-20 Nylon
7	6010273	1	Water Manifold
8	2500859	1	Water Manifold Gasket
9	2900024	2	Lock Washer, 1/4" Split
10	2900294	2	Cap Screw, Hex Hd., 1/4-20 x 2"
11	3200001	3	Plug, 1/8" NPT
12	3200002	1	Fitting, 3/8" M. Pipe to 3/4" M. Garden
13	2900280	1	Lanyard with Lock Pin
14	6010114	2	Water Tube for 42" Guard
15	6048155	2	Water Tube Clamp
16	2900020	4	Cap Screw, Flat Hd., 1/4-20 x 3/4"
17	1800001	1	Warning Label
18	2900002	1	Flat Washer, 5/8" SAE
19	2900113	1	Lock Washer, 5/8" Split
20	2900601	1	Cap Screw, Hex Hd., 5/8-11 x 4-1/4"
21	6010560	1	Blade Guard Hinge Assembly
22	6010511	1	Blade Guard Brace
23	2900014	1	Flat Washer, 3/8" SAE
24	2900006	1	Lock Washer, 3/8" Split
25	2900005	1	Cap Screw, Hex Hd., 3/8-16 x 1"

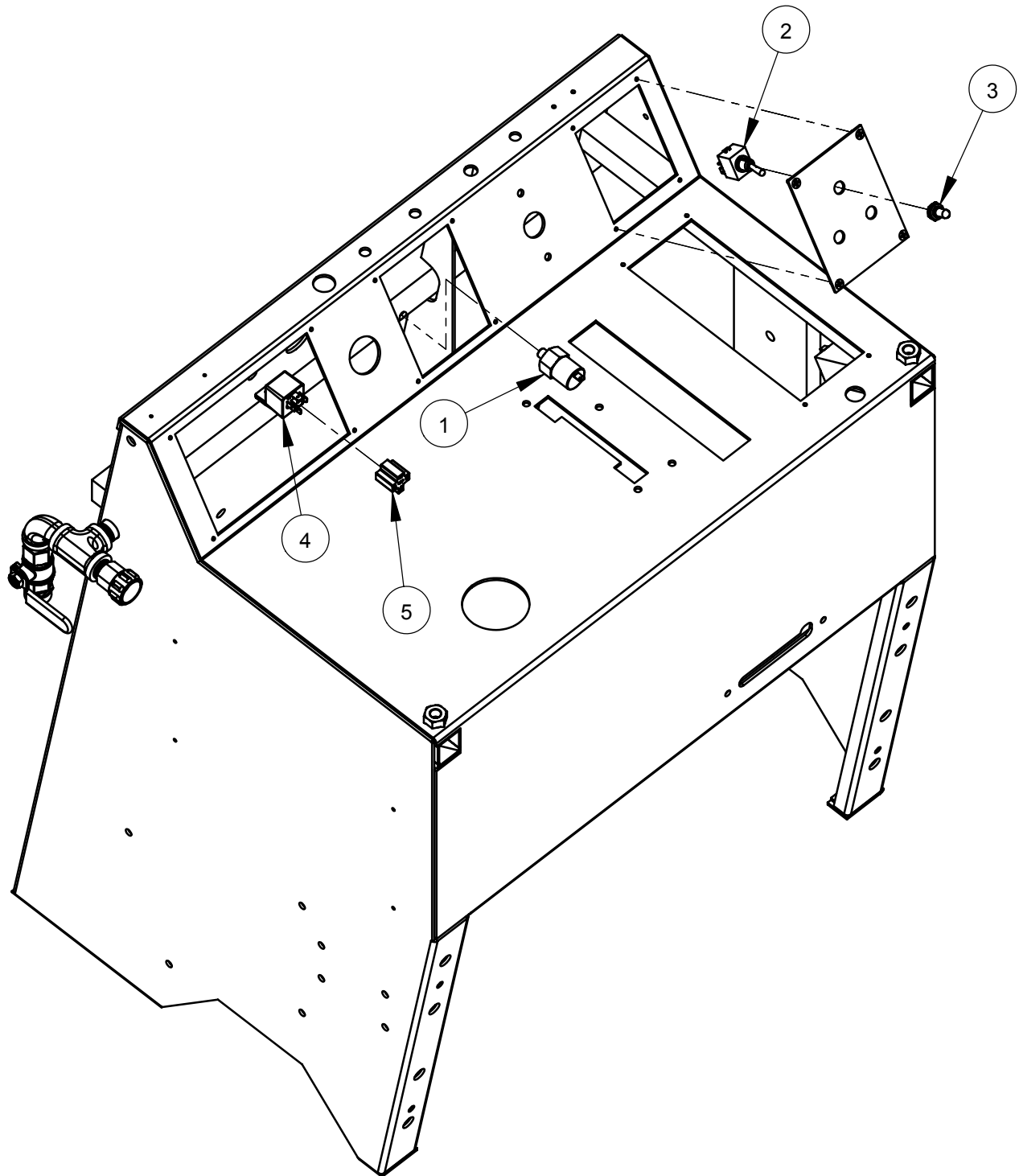
ITEM	PART NO.	QTY.	DESCRIPTION
26	6010549	1	Blade Guard Hinge
27	2900014	4	Flat Washer, 3/8" SAE
28	2900006	4	Lock Washer, 3/8" Split
29	2900005	4	Cap Screw, Hex Hd., 3/8-16 x 1"
30	2900479	1	Cap Screw, Hex Hd., 3/4-10 x 4"
31	2900467	1	Lock Nut, 3/4-10 Nylon

## Optional Water Pump Assembly #6011032



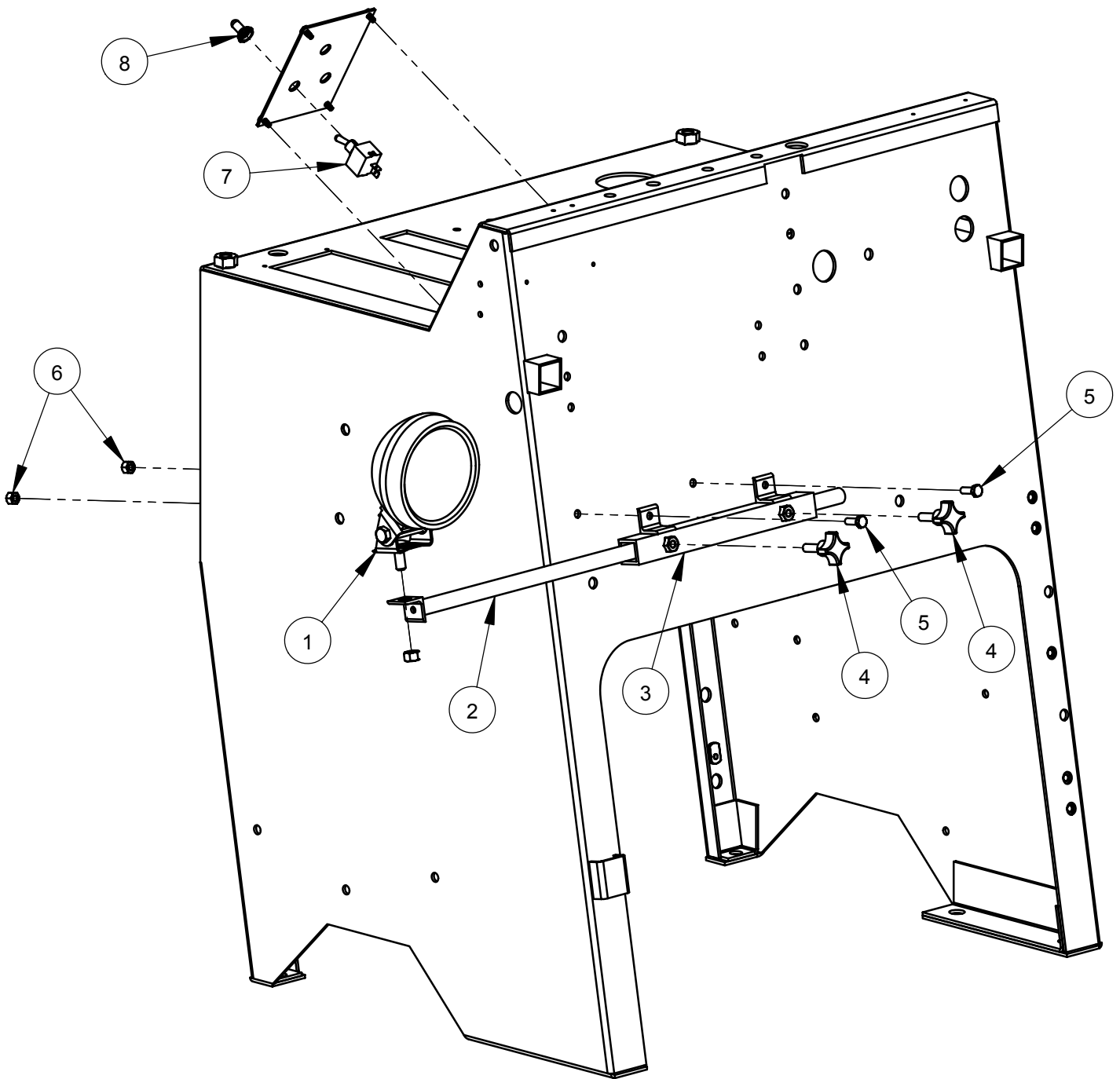
ITEM	PART NO.	QTY.	DESCRIPTION
1	2600200	1	Water Pump, 12V Diaphragm
2	2900008	4	Cap Screw, Hex Hd., 1/4-20 x 1"
3	2900009	8	Flat Washer, 1/4" SAE
4	2900010	4	Lock Nut, 1/4-20 Nylon
5	2701694	2	Port Fitting, 1/2" Barb x 90 Degree
6	3200016	2	Hose Clamp #8
7	6010302	1	Hose Assembly, 4 Foot
8	6010303	1	Hose Assembly, 5 Foot
9	2800062	1	Toggle Switch
10	2800063	1	Switch Boot

## Optional Water Safety Switch Assembly #6010522



ITEM	PART NO.	QTY.	DESCRIPTION
1	2800060	1	Water Pressure Safety Switch
2	2800062	1	Toggle Switch
3	2800063	1	Switch Boot
4	2800144	1	Relay
5	2800263	1	Relay Connector

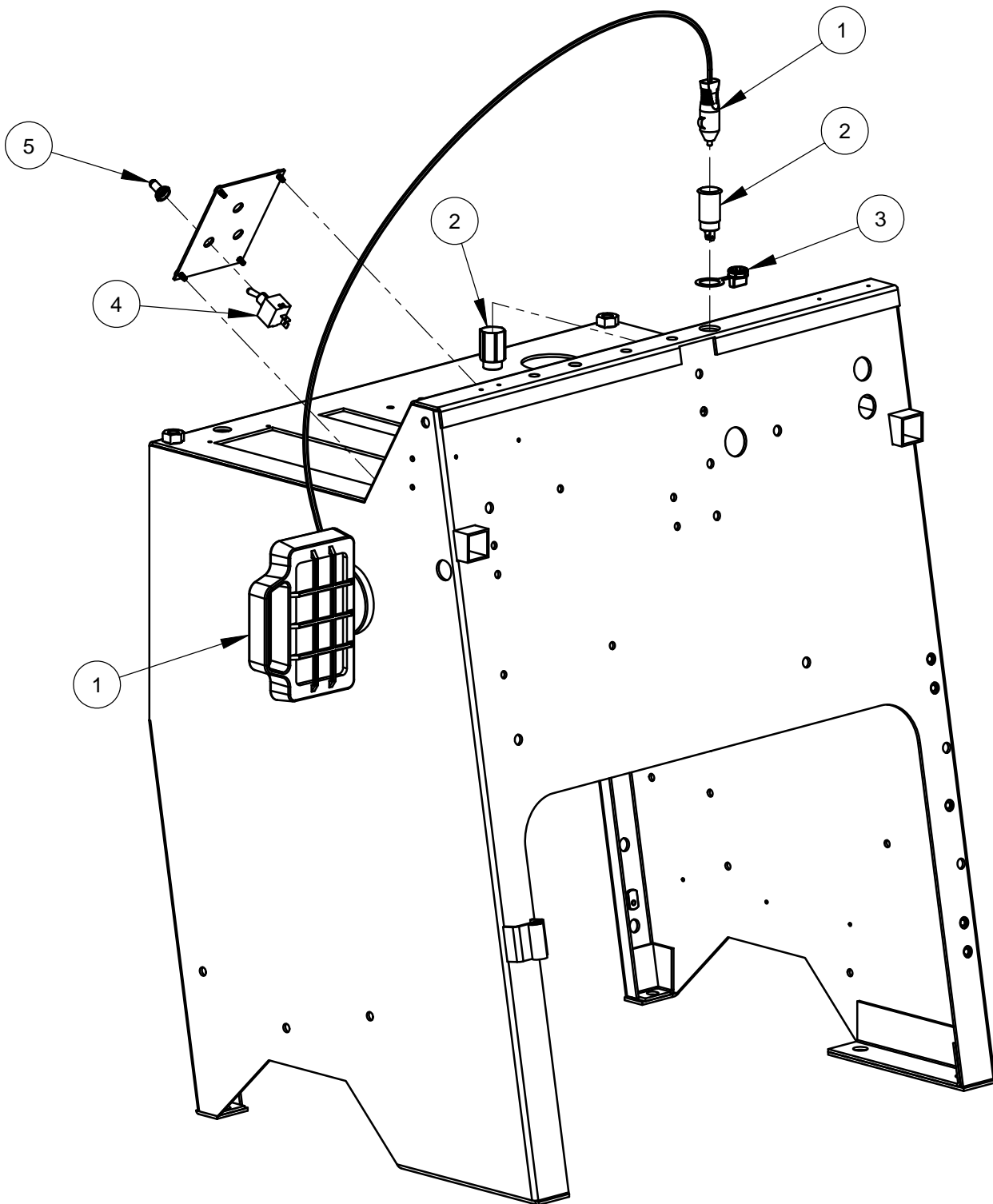
## Optional Spot Light Assembly #6010112



ITEM	PART NO.	QTY.	DESCRIPTION
1	2500194	1	Spot Light, 12 Volt
2	6010106	1	Light Bar
3	6010107	1	Light Bar Mount Bracket
4	2400157	2	Hand Lock Knob, 5/16-18 x 1"
5	2900144	2	Cap Screw, Hex Hd., 1/4-20 x 3/4"
6	2900010	2	Lock Nut, 1/4-20 Nylon
7	2800062	1	Toggle Switch
8	2800063	1	Switch Boot

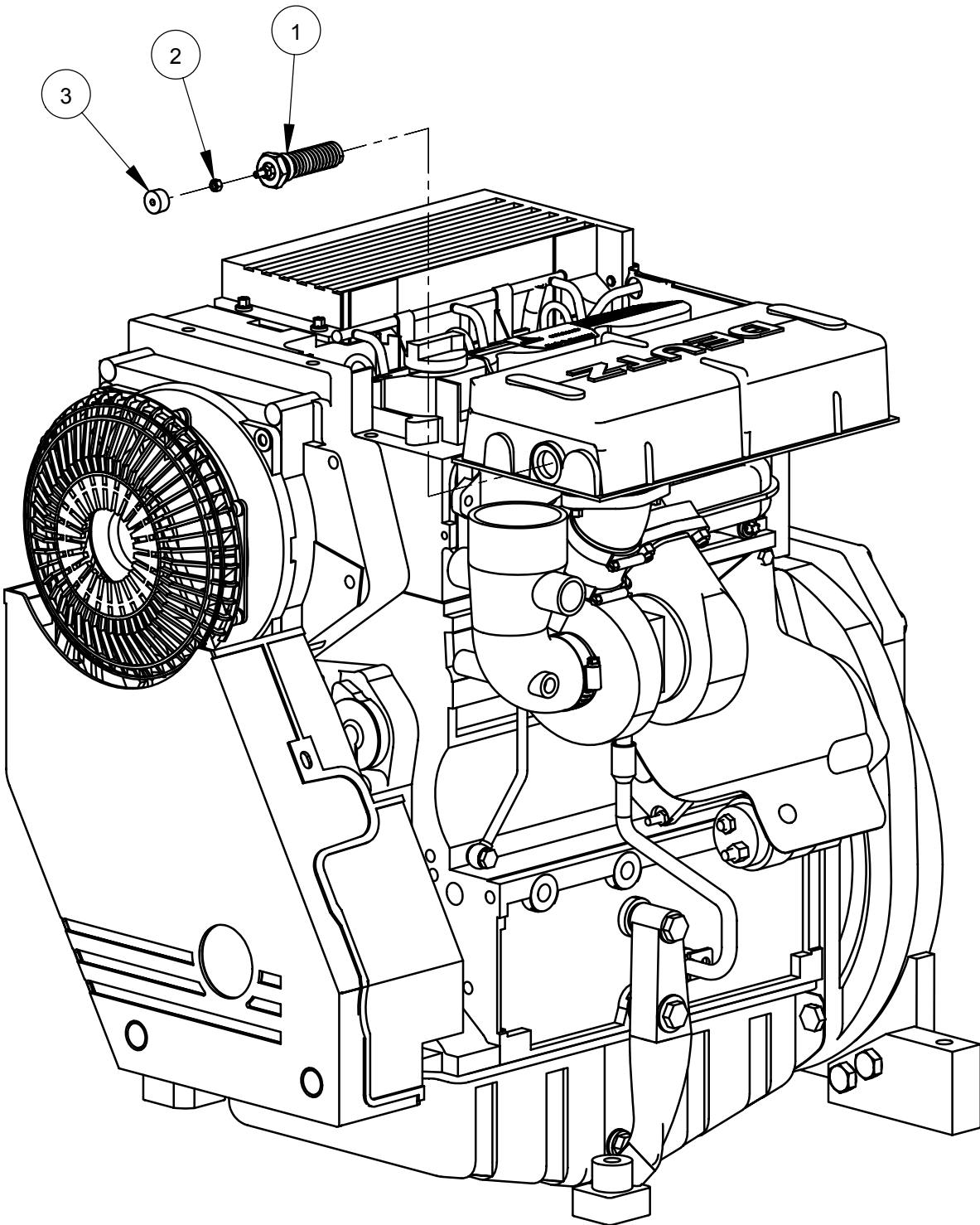


## Optional Magnetic Spot Light Assembly #6011170



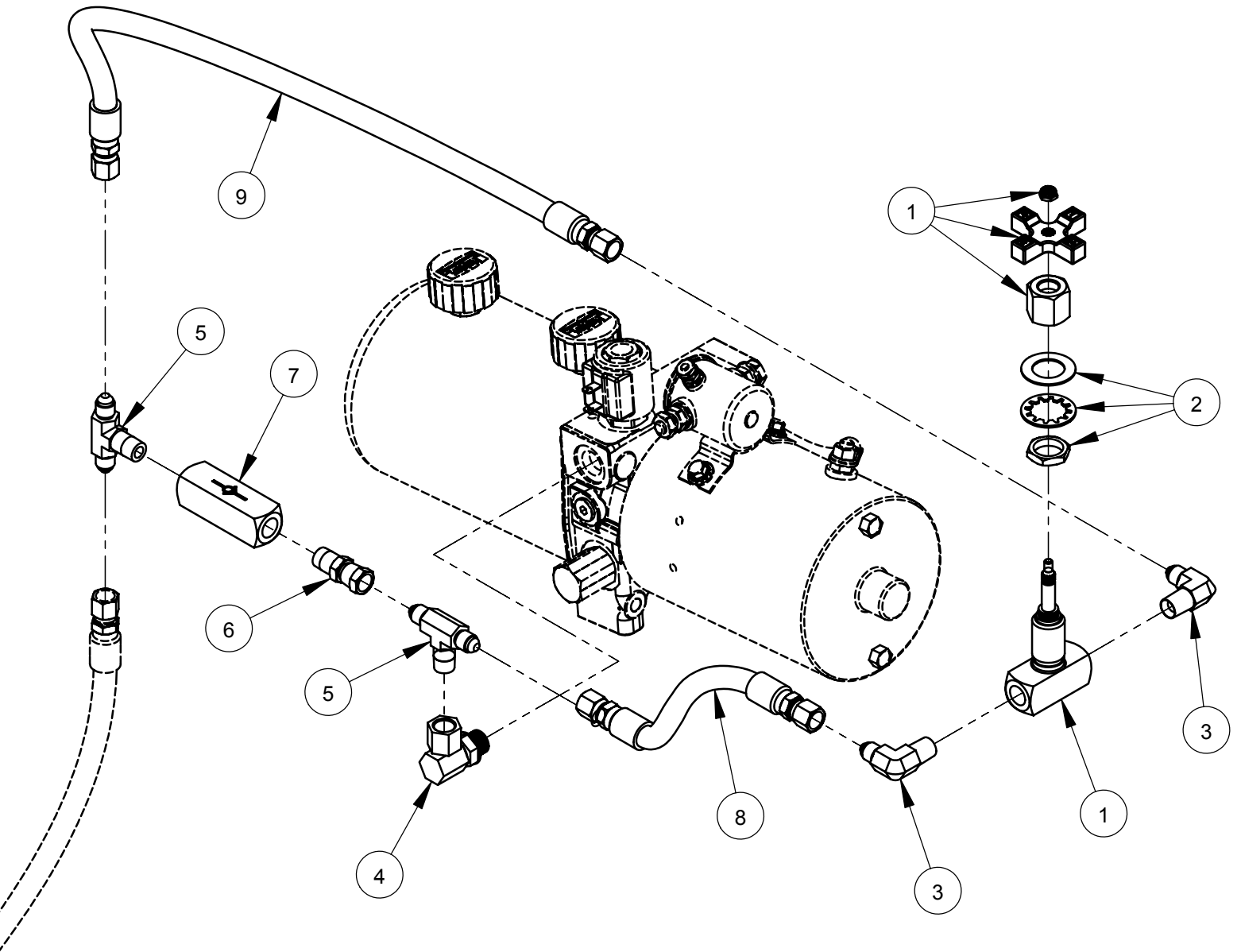
ITEM	PART NO.	QTY.	DESCRIPTION
1	2501087	1	Light, 12V Magnetic Base
2	2800374	1	Outlet, 12 Volt Power
3	2800375	1	Cap, 12 Volt Power Outlet
4	2800062	1	Toggle Switch On/Off
5	2800063	1	Switch Boot

## Optional Glow Plug Assembly #6010596



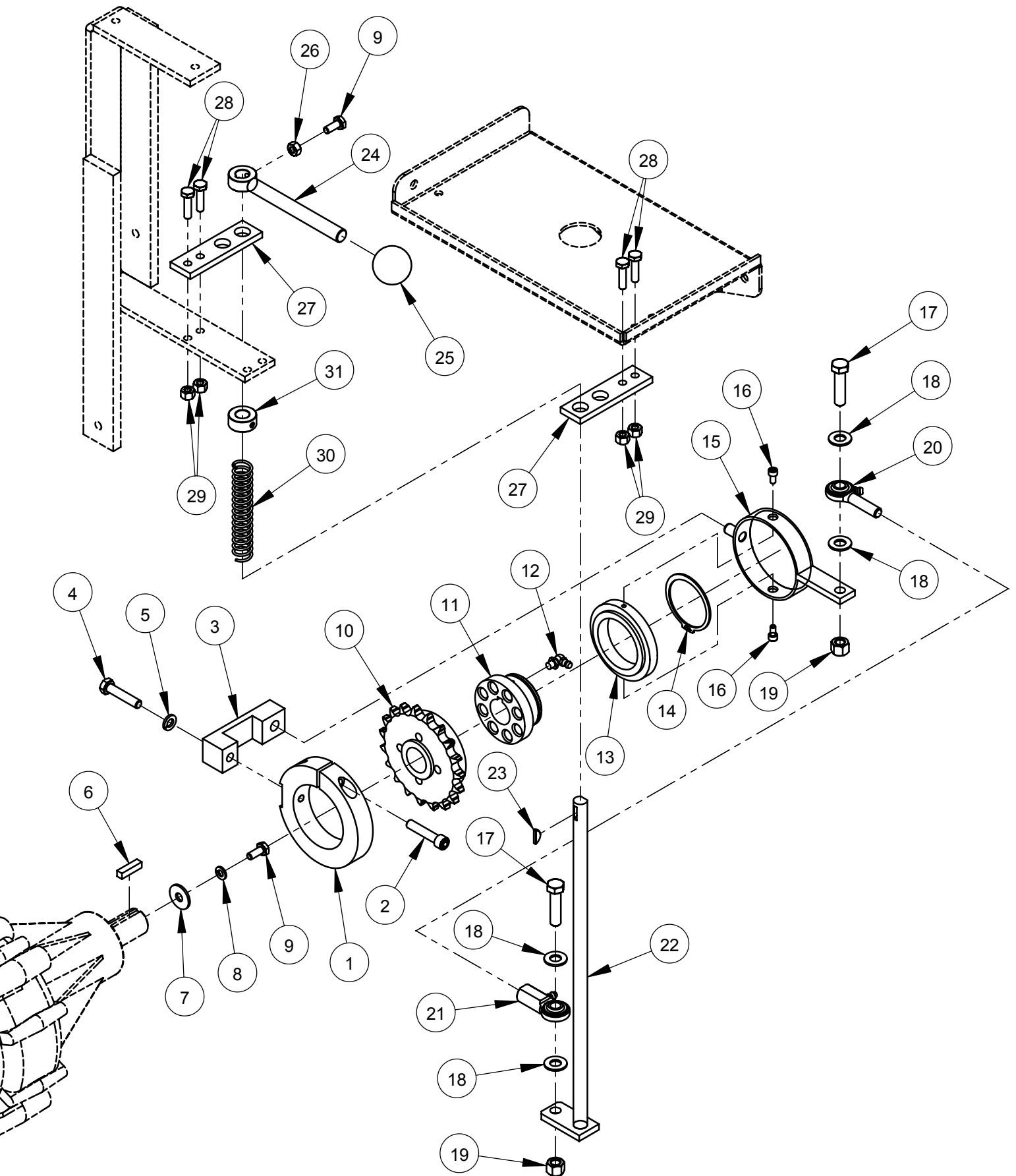
ITEM	PART NO.	QTY.	DESCRIPTION
1	2701698	1	Glow Plug
2	2900301	1	Lock Nut, M5 Nylon
3	2501792	1	Bumper, Recessed Rubber

## Optional Lowering Speed Metering Valve Assembly #6010227



ITEM	PART NO.	QTY.	DESCRIPTION
1	3200211	1	Valve, 1/4" Metering
2	3200212	1	Panel Mounting Kit
3	3200057	2	Elbow, 1/4" M. Pipe to 1/4" M. JIC
4	3200115	1	Elbow, 3/8" O-Ring to 1/4" F. Pipe
5	3200213	2	Tee, 1/4" M. JIC to 1/4" M. Pipe
6	3200219	1	Adapter, 1/4" M. Pipe to 1/4" F. JIC
7	3200218	1	Check Valve
8	6010247	1	Hose Assembly, 8" Long
9	6010248	1	Hose Assembly, 20" Long

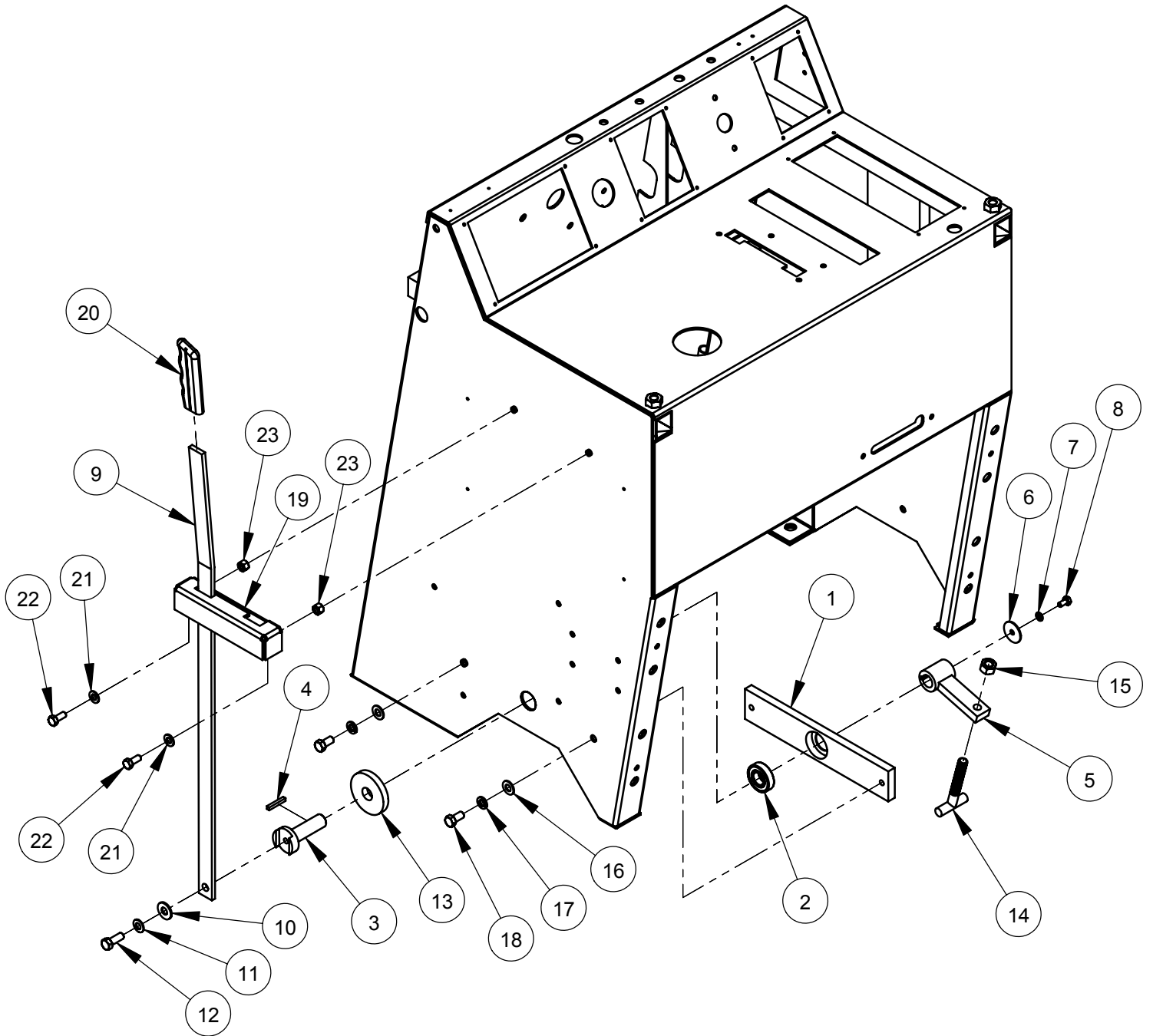
# Optional Free Wheeling Clutch Assembly #6010179 (Sundstrand)



## Optional Free Wheeling Clutch Assembly #6010179 (Sundstrand)

ITEM	PART NO.	QTY.	DESCRIPTION
1	6011043	1	Clutch Clamp
2	2900233	1	Cap Screw, Soc. Hd., 5/16-18 x 1-1/2"
3	6011044	1	Clutch Brace
4	2900508	1	Cap Screw, Hex Hd., 5/16-18 x 1-1/2"
5	2900031	1	Lock Washer, 5/16" Split
6	6011089	1	Key, 1/4" Sq. x 1" Long
7	2900383	1	Fender Washer, M8
8	2900024	1	Lock Washer, 1/4" Split
9	2900023	2	Cap Screw, Hex Hd., 1/4-20 x 5/8"
10	6012055	1	Clutch Sprocket Assembly, 19 Tooth
11	6011088	1	Clutch Hub
12	2900061	1	Grease Fitting, 1/4-28 x 90 Degree
13	6011041	1	Clutch Ring with Bearing
14	2500374	1	Retaining Ring, 2" External
15	6011042	1	Clutch Yoke
16	2900117	2	Cap Screw, Soc. Hd., #10-24 x 3/8"
17	2900029	2	Cap Screw, Hex Hd., 3/8-16 x 1-1/2"
18	2900014	4	Flat Washer, 3/8" SAE
19	2900018	2	Lock Nut, 3/8-16 Nylon
20	2500886	1	Rod End, 3/8-24 Male
21	2500152	1	Rod End, 3/8-24 Female
22	6011050	1	Engagement Lever
23	2900063	1	Woodruff Key #405, 1/8" x 5/8"
24	6011051	1	Engagement Handle
25	2400007	1	Knob, 1/2-20 x 1-3/8" Dia.
26	2900125	1	Hex Nut, 1/4-20
27	6011099	2	Lever Guide
28	2900008	4	Cap Screw, Hex Hd., 1/4-20 x 1"
29	2900010	4	Lock Nut, 1/4-20 Nylon
30	2500375	1	Compression Spring
31	2500007	1	Set Collar, 1/2" with Set Screw

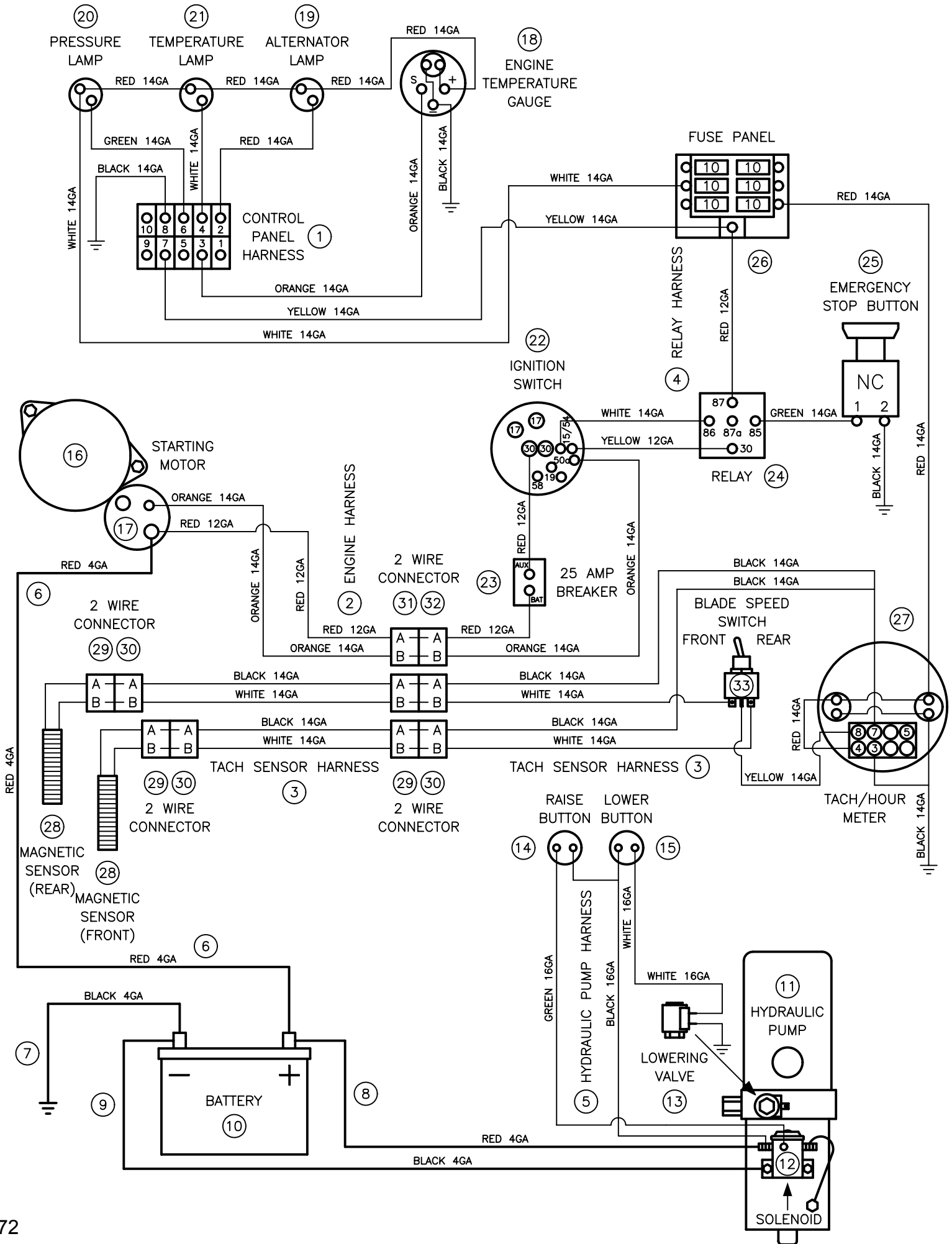
# Optional Parking Brake Assembly #6011228



## Optional Parking Brake Assembly #6011228

ITEM	PART NO.	QTY.	DESCRIPTION
1	6011229	1	Bearing Housing Bar
2	2501664	1	Ball Bearing, 3/4" x 1-5/8" x 7/16"
3	6011230	1	Pivot Pin
4	6048229	1	Key, 3/16" Sq. x 1-1/4"
5	6011231	1	Pivot Arm
6	2900083	1	Fender Washer, 1/4" x 1-1/4"
7	2900024	1	Lock Washer, 1/4" Split
8	2900082	1	Cap Screw, Hex Hd., 1/4-20 x 1/2"
9	6011232	1	Brake Lever
10	2900473	1	Flat Washer, 3/8" USS
11	2900474	1	Belleville Washer, 3/8"
12	2900005	1	Cap Screw, Hex Hd., 3/8-16 x 1"
13	6011234	1	Friction Washer, 3/4" x 2-1/2" x 3/8"
14	2900632	1	T-Bolt, 1/2-13
15	2900037	1	Hex Nut, 1/2-13
16	2900014	2	Flat Washer, 3/8" SAE
17	2900006	2	Lock Washer, 3/8" Split
18	2900196	2	Cap Screw, Hex Hd., 3/8-16 x 3/4"
19	6011233	1	Lever Gate
20	2500002	1	Lever Grip
21	2900022	2	Flat Washer, 5/16" SAE
22	2900019	2	Cap Screw, Hex Hd., 5/16-18 x 3/4"
23	2900039	2	Lock Nut, 5/16-18 Nylon

# Wiring Diagram

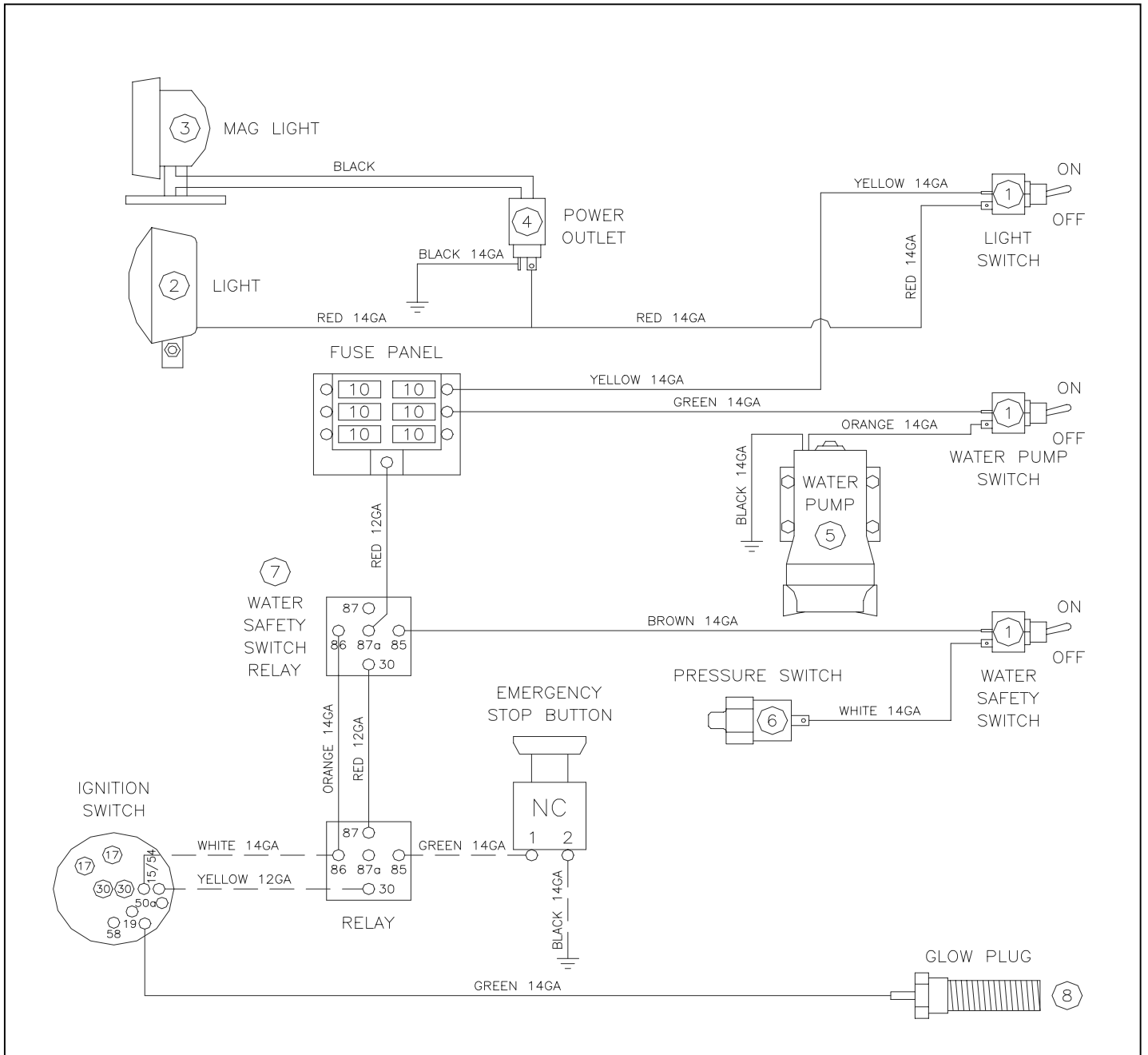




## Wiring Diagram

Item	Part No.	Qty.	Description	Item	Part No.	Qty.	Description
1	2800396	1	Control Panel Harness	24	2800144	1	Relay
2	2800429	1	Engine Harness (Includes #31 & #32)		2800263	1	Relay Connector
3	2800397	2	Tach Sensor Harness (Includes #29 & #30)		2800264	4	Wire Terminal, 1/4" Push-on
4	2800392	1	Relay Harness	25	2800461	1	Emergency Stop Button
5	2800393	1	Hydraulic Pump Harness		2800462	1	Contact Block N.C.
6	2800073	1	Battery Cable, Positive (Red)	26	2800388	1	Fuse Panel, 6 Circuit
7	2800072	1	Battery Cable, Negative (Black)		2800389	6	Fuse, 10 Amp Red ATO/ATC
8	2800095	1	Solenoid Cable, Positive (Red)	27	6010416	1	Tach/Hour Meter (VDO) Calibrated
9	2800182	1	Ground Cable, Negative (Black)		2800611	2	(Light Socket)
10	2800465	1	Battery, 12 Volt Group Size 24		2800612	2	(Light Bulb, Wedge Base)
11	2600070	1	Hydraulic Pump Unit (Includes #12 & #13)	28	2800170	2	Magnetic Sensor (Includes #29)
12	2700169	1	Solenoid, Motor	29	2800145	4	Connector, 2 Wire Shroud
13	2700243	1	Valve Coil		2800114	8	Male Terminal, 14/16 Gage Wire
	2700244	1	Valve Stem		2800174	8	Cable Seal, Gray
14	2800372	1	Pushbutton Switch, Raise	30	2800146	4	Connector, 2 Wire Tower
15	2800373	1	Pushbutton Switch, Lower		2800115	8	Female Terminal, 14/16 Gage Wire
16	2702274	1	Starting Motor (Includes #17)		2800174	8	Cable Seal, Gray
17	2701823	1	Solenoid Switch	31	2800145	1	Connector, 2 Wire Shroud
18	2703192	1	Temperature Gauge, Pricol		2800114	1	Male Terminal, 14/16 Gage Wire
19	2700785	1	Alternator Light		2800112	1	Male Terminal, 12 Gage Wire
	2700923	1	(Bulb Only)		2800174	1	Cable Seal, Gray
20	2700786	1	Oil Pressure Light		2800175	1	Cable Seal, Blue
	2700923	1	(Bulb Only)	32	2800146	1	Connector, 2 Wire Tower
21	2700787	1	Oil Temperature Light		2800115	1	Female Terminal, 14/16 Gage Wire
	2700923	1	(Bulb Only)		2800113	1	Female Terminal, 12 Gage Wire
22	2703194	1	Ignition Switch & Key		2800174	1	Cable Seal, Gray
	2703195	1	(Ignition Key Only)		2800175	1	Cable Seal, Blue
23	2800387	1	Circuit Breaker, 25 Amp	33	2800308	1	Toggle Switch On/On
	2800364	1	Circuit Breaker Boot, Red		2800063	1	Switch Boot

# Options Wiring Diagram

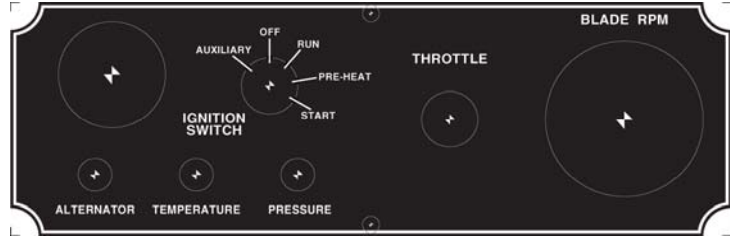


Item	Part No.	Qty.	Description	Item	Part No.	Qty.	Description
1	2800062	3	Toggle Switch	5	2600200	1	Water Pump, 12V Diaphragm
	2800063	3	Switch Boot	6	2800060	1	Water Pressure Safety Switch
2	2500194	1	Spot Light, 12 Volt	7	2800144	1	Relay
3	2501087	1	Magnetic Base Light, 12 Volt		2800263	1	Relay Connector
4	2800374	1	Power Outlet, 12 Volt		2800264	4	Wire Terminal, 1/4" Push-on
	2800375	1	Outlet Cap	8	2701698	1	Glow Plug

# Decal Group



CORE CUT DECAL  
#1800837 (Qty. 3)



INSTRUMENT PANEL DECAL  
#1800348

**DIAMOND PRODUCTS CORE CUT**  
383 PROSPECT STREET  
ELYRIA, OHIO 44028 USA  
PHONE 1-800-221-0399  
www.diamondproducts.com

**CC6560XLT RPM CHART**

GUARD SIZE	BLADE SIZE	RECOMMENDED BLADE RPM	BLADE SHAFT	ENGINE RPM	FLANGE SIZE	DEPTH OF CUT
14"	14"	2,525	REAR	3,000	5"	4-1/4"
20"	18"	2,525		3,000		5-1/4"
24"	22"	2,400		2,850		6-1/4"
26"	24"	2,400		2,850		7-1/4"
30"	26"	2,100	FRONT	3,000	6"	8-1/4"
36"	30"	1,750		2,850		9-1/4"
42"	36"	1,550		2,850		10-3/4"
	42"	1,550		2,850		11-3/4"

WARNING! NEVER EXCEED THE MAXIMUM RPM STAMPED ON BLADE!  
EXCESSIVE SPEED CAN CAUSE BLADE BREAKAGE RESULTING IN SERIOUS PERSONAL INJURY OR DEATH.

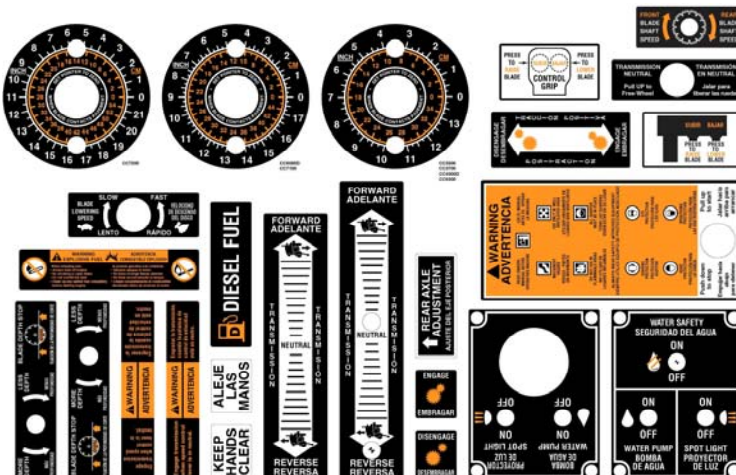
**WARNING**  
Always check the stamped RPM before mounting blades.  
Only use blades with a rated speed higher than the maximum speed.  
Never exceed the maximum RPM stamped on blades. Exceeding the blade rpm can cause blade breakage and serious personal injury.  
When changing blade sets, always adjust blade RPM according to the speed chart to match recommended blade RPM.  
Do not use a blade longer than another blade indicated by each blade.  
Never operate saw without the blade guard in place or allow rotating blade exposure to the ground or operator.  
Never stand in line with the blade path when starting or operating.  
Never use damaged blades or equipment.  
Refer to operator's manual for additional information about safety, operation and maintenance.

**ADVERTENCIA**  
Siempre cheque el RPM estampado en las hojas antes de montarlas.  
Solo use hojas con una velocidad nominal mayor que la velocidad máxima.  
Nunca exceda el RPM máximo estampado en las hojas. Exceder el RPM de la hoja puede causar rotura de la hoja e lesiones personales graves.  
Al cambiar los conjuntos de hojas, siempre ajuste el RPM de acuerdo con el gráfico de velocidad para coincidir con el RPM recomendado de la hoja.  
No use una hoja más larga que otra hoja indicada por cada hoja.  
Nunca opere la sierra sin el guardablanco en su lugar o permita la exposición de la hoja giratoria al suelo u operador.  
Nunca se quede en línea con el camino de la hoja al arrancar o operar.  
Nunca use hojas dañadas o equipo.  
Consulte el manual del operador para obtener información adicional sobre seguridad, operación y mantenimiento.

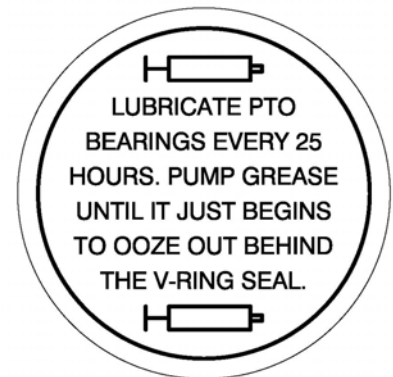
RPM CHART DECAL  
#1800583B



WARNING DECAL  
#1800001



SAW LABELS SHEET  
#1800351



GREASE DECAL  
#1800897

## EQUIPMENT AND PARTS WARRANTY

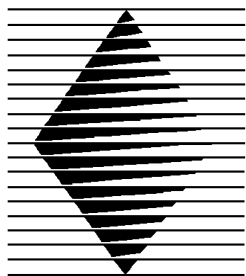
Diamond Products warrants all equipment manufactured by it against defects in workmanship or materials for a period of one (1) year from the date of shipment to Customer.

The responsibility of Diamond Products under this Warranty is limited to replacement or repair of defective parts at Diamond Products' Elyria, Ohio factory, or at a point designated by it, of such parts as shall appear to us upon inspection at such parts, to have been defective in material or workmanship, with expense for transportation and labor borne by Customer.

In no event shall Diamond Products be liable for consequential or incidental damages arising out of the failure of any Product to operate properly.

Integral units such as engines, electric motors, batteries, transmissions, etc., are excluded from this Warranty and are subject to the prime manufacturer's warranty.

**THIS WARRANTY IS IN LIEU OF ALL OTHER WARRANTIES, EXPRESSED OR IMPLIED, AND ALL SUCH OTHER WARRANTIES ARE HEREBY DISCLAIMED.**



# DIAMOND PRODUCTS

333 Prospect Street, Elyria, Ohio 44035  
(440) 323-4616 • (800) 321-5336 • Fax (440) 323-8689  
[www.diamondproducts.com](http://www.diamondproducts.com)