



CONCRETE SAW PARTS LIST

**MODEL
CC6561**

January 2019

Part #1802551



CORE CUT

Large Walk Behind Saw

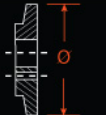
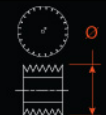
Diamond Products Limited
800-321-5336 - www.diamondproducts.com



Made in the U.S.A.

SINGLE SPEED RPM CHART

BLADE SIZE	BLADE RPM	BLADESHAFT SHEAVE	ENGINE SHEAVE	ENGINE RPM	BELT SIZE	FLANGE SIZE	MAX DEPTH OF CUT
14"	2,700	4"	4"	2,700	3VX570	4-1/2"	4-1/2"
20"	2,400	4-1/2"	4"	2,700	3VX580	4-1/2"	7-1/2"
26"	1,950	4-1/2"	4"	2,200	3VX580	4-1/2"	10-1/2"
30"	1,700	6"	4"	2,550	3VX600	6"	11-3/4"
36"	1,400	6"	4"	2,100	3VX600	6"	14-3/4"
42"	1,200	6"	4"	1,800	3VX600	6"	17-3/4"



**WARNING! NEVER EXCEED THE MAXIMUM RPM STAMPED ON BLADE!
EXCESSIVE SPEED CAN CAUSE BLADE BREAKAGE RESULTING IN SERIOUS PERSONAL INJURY OR DEATH.**

1802600A



WARNING

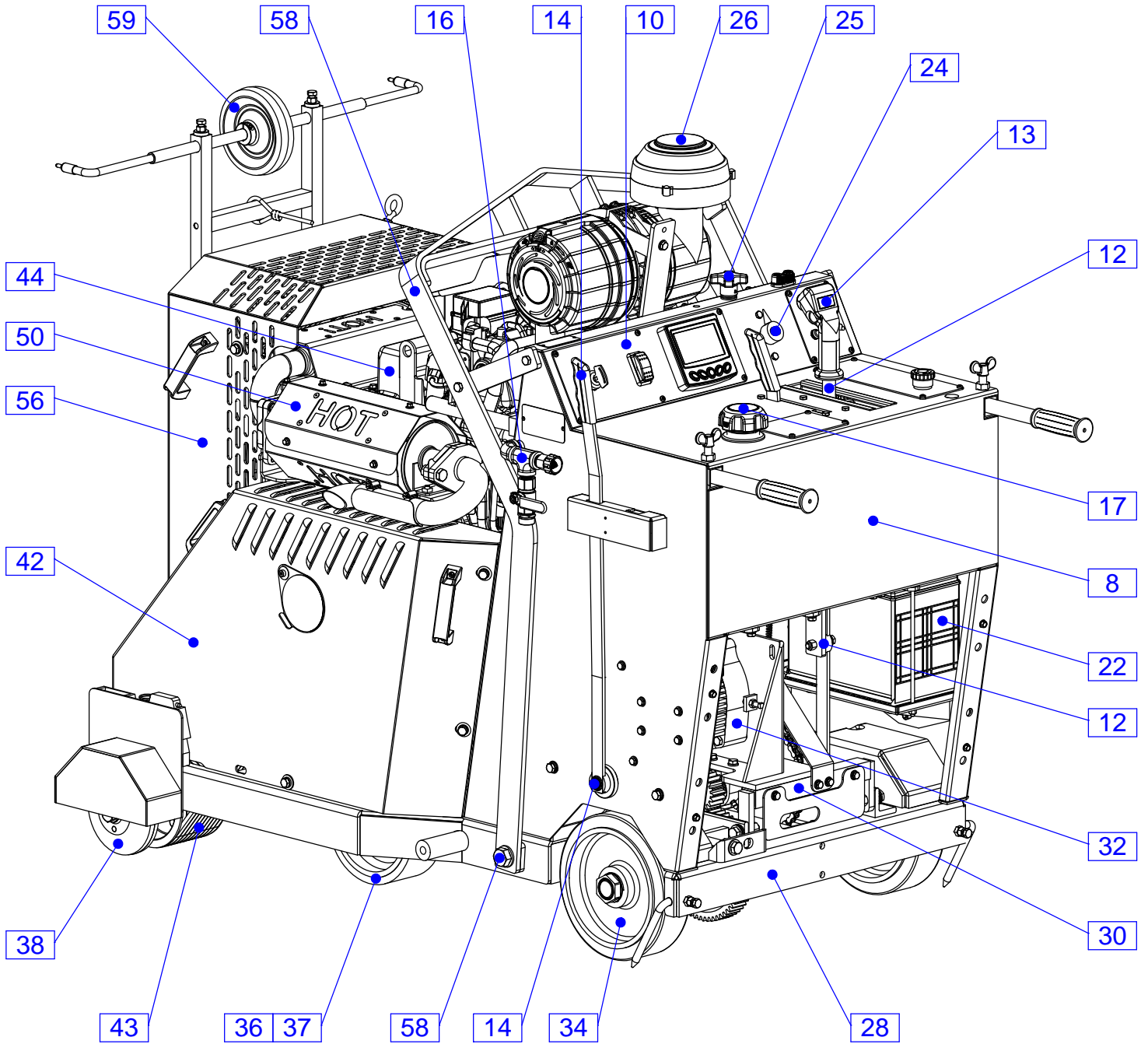


The engine exhaust from this product contains chemicals known to the State of California to cause cancer, birth defects or other reproductive harm.

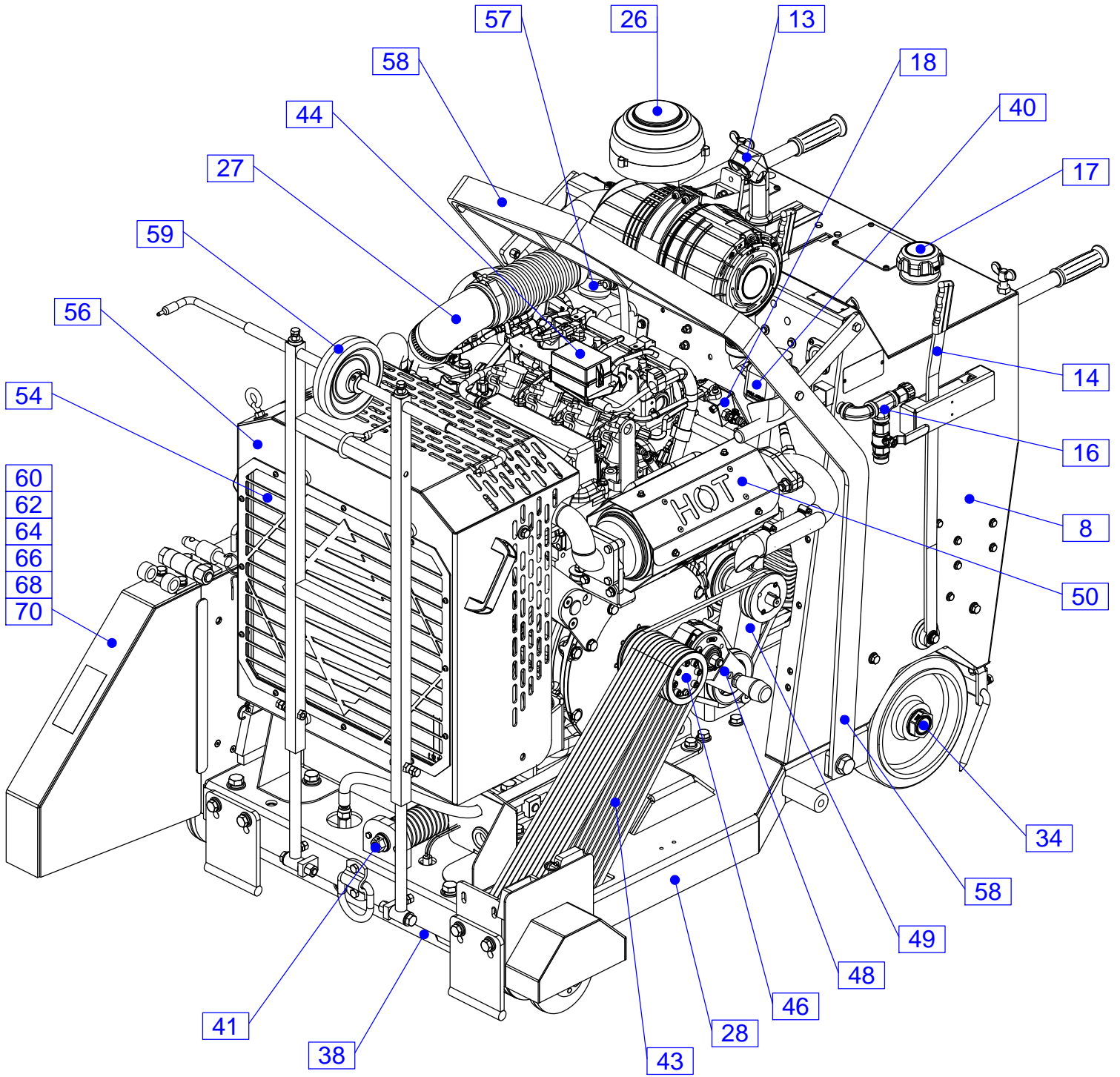
Table of Contents

Pictorial Index.....	4,5	Belt Guard Assembly.....	42
Controls Legend.....	6	Belt Drive Assembly.....	43
Quick Reference Service Filters / Belts.....	7	Engine Assembly.....	44,45
Frame Upright Assembly.....	8,9	PTO Assembly.....	46,47
Instrument Panel Assembly.....	10,11	Rotary Tensioner Assembly.....	48
Control Lever Assembly.....	12	Transmission Jackshaft Assembly.....	49
Control Grip Assembly.....	13	Exhaust System Assembly.....	50,51
Parking Brake Assembly.....	14,15	Fan Drive Assembly.....	52,53
Water Supply Assembly.....	16	Radiator Assembly.....	54,55
Fuel Tank Assembly.....	17	Radiator Shroud Assembly.....	56
Fuel Supply Assembly.....	18,19	Coolant Tank Assembly.....	57
Fuel Cooler Assembly.....	20	Frame Lift Assembly.....	58
Hydraulic Pump Assembly.....	21	Dual Front Pointer Assembly.....	59
Battery Assembly.....	22,23	14" Blade Guard Assembly.....	60,61
Depth Indicator Assembly.....	24	20" Blade Guard Assembly.....	62,63
Depth Stop Assembly.....	25	26" Blade Guard Assembly.....	64,65
Air Cleaner Assembly.....	26	30" Blade Guard Assembly.....	66,67
Air Intake Assembly.....	27	36" Blade Guard Assembly.....	68,69
Frame Base Assembly.....	28,29	42" Blade Guard Assembly.....	70,71
Rear Drive Assembly.....	30,31	Optional Water Pump Assembly.....	72
Eaton Transmission Assembly.....	32	Optional Water Safety Switch Assembly.....	73
Linkage Assembly.....	33	Optional Spot Light Assembly.....	74
Rear Axle Assembly.....	34	Optional Speed Metering Valve Assembly.....	75
Hydraulic Cylinder Assembly.....	35	Optional Blade Stacking Assembly.....	76,77
Front Axle Assembly.....	36	Optional Blade Spacing Assembly.....	78,79
Front Wheel Assembly.....	37	Optional Blade Spacing Assembly.....	80,81
Blade Shaft Assembly.....	38,39	Decal Group.....	82
Expansion Tank Assembly.....	40	Blade Speed Conversion Charts.....	83
Belt Tensioner Assembly.....	41	Warranty.....	84

Pictorial Page Index



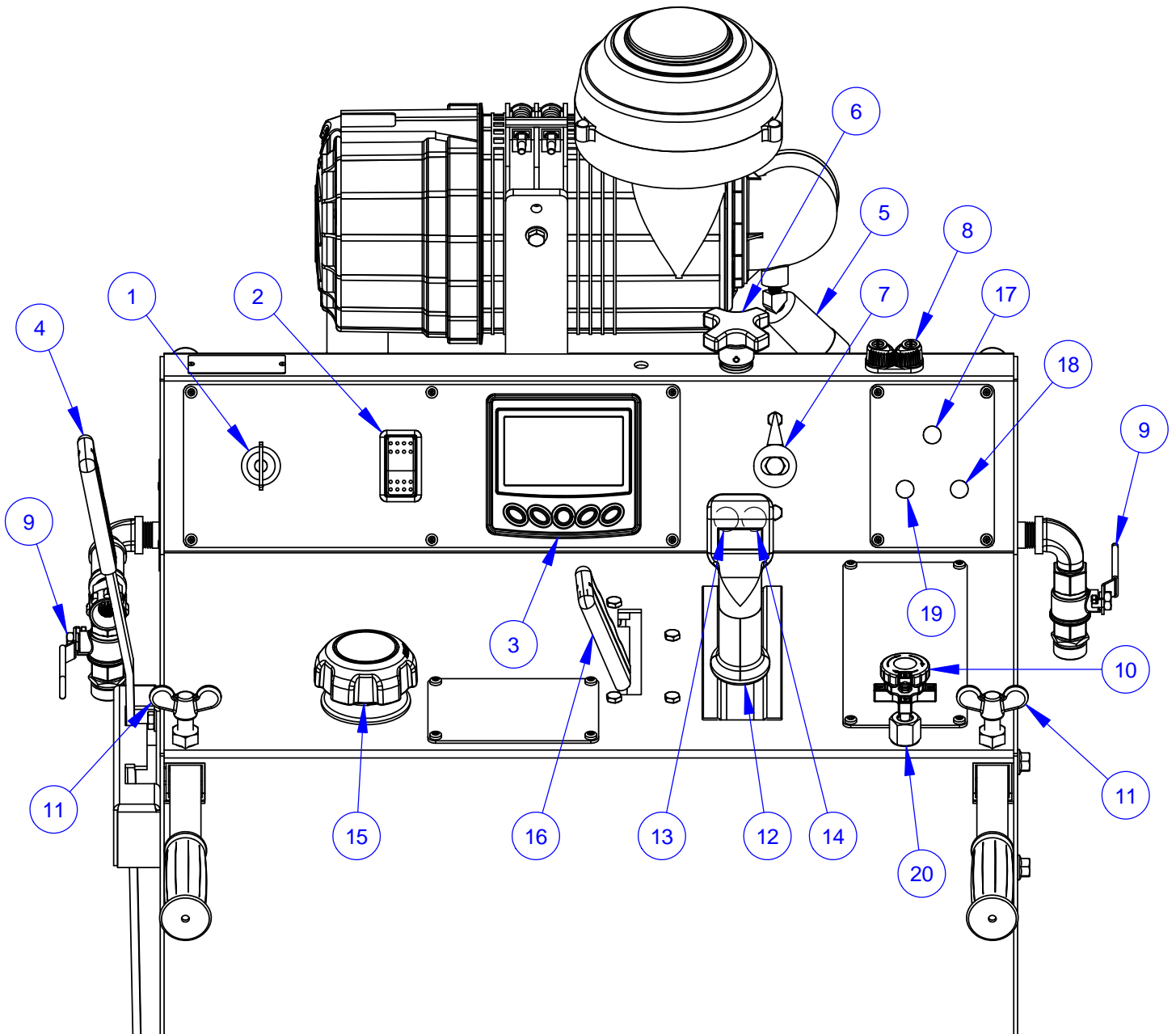
Pictorial Page Index



Controls Legend

1	Ignition Switch
2	Engine Throttle Rocker Switch
3	Engine Display Panel
4	Parking Brake Lever
5	Air Cleaner Restriction Indicator
6	Depth Stop Knob
7	Cutting Depth Indicator
8	Pointer Rope Cleat
9	Water Valve
10	Emergency Stop Button

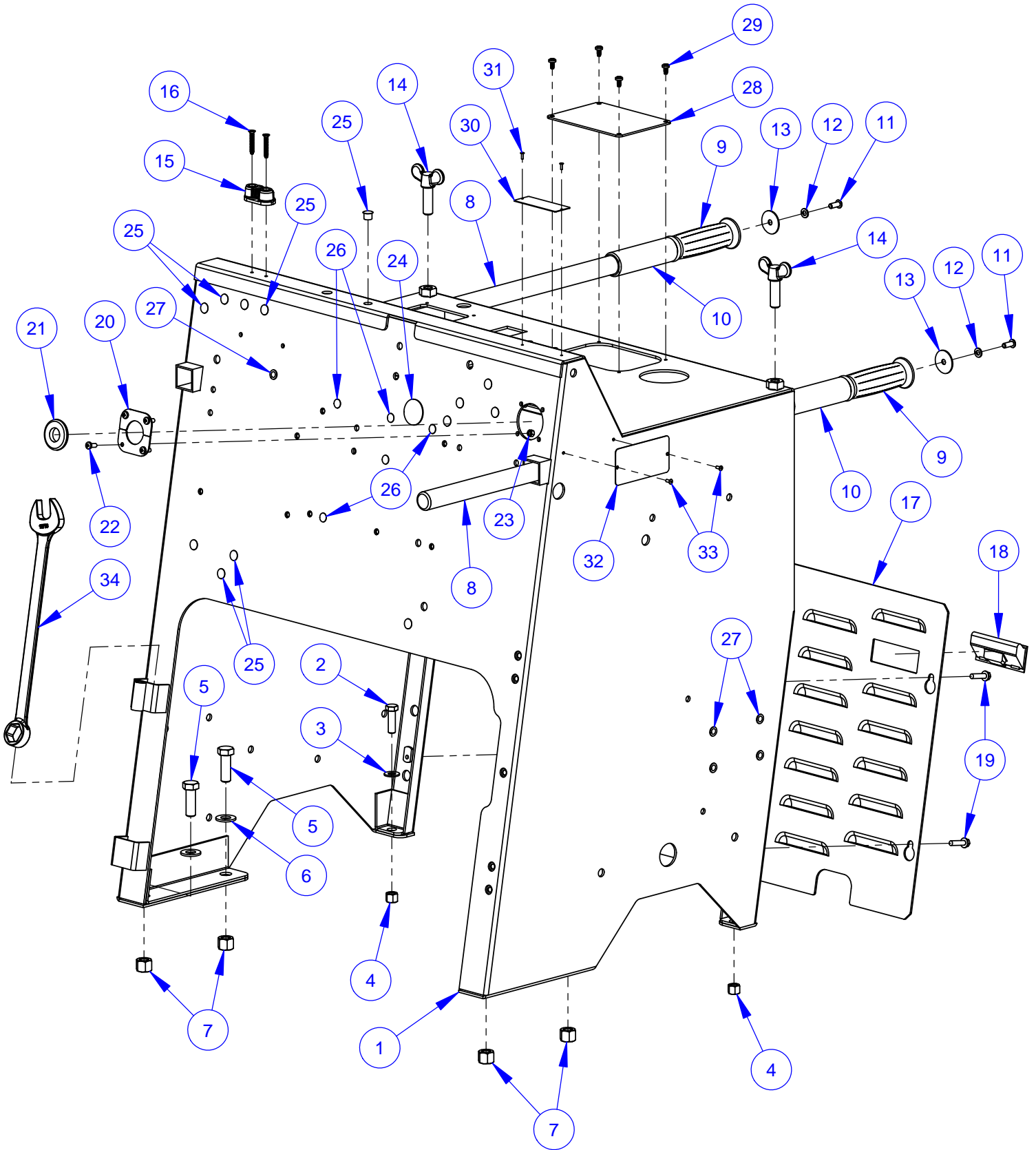
11	Handle Bar Lock Knobs
12	Travel Speed Control Lever
13	Saw Raise Push Button
14	Saw Lower Push Button
15	Fuel Filler Cap
16	Transmission Engagement Lever
17	Water Safety Switch (Optional)
18	Spot Light Switch (Optional)
19	Water Pump Switch (Optional)
20	Lowering Speed Valve (Optional)



Quick Reference Service Filters / Belts / Fluids

DP Part No.	Description	Manufacturer's Part No.
2705216	Engine Oil Filter	Kubota #HH164-32430
2705227	Engine Fuel Filter	Kubota #12581-43012
2501386	Outer Primary Air Filter	Donaldson #P827653
2501387	Inner Safety Air Filter	Donaldson #P829332
2503849	Blade Shaft Belt	Gates #3VX570
2503683	Blade Shaft Belt	Gates #3VX580
2503684	Blade Shaft Belt	Gates #3VX600
2500792	Engine to Jackshaft Belt	Gates #3VX400
2501968	Eaton Transmission Belt	Gates #AX36
2500103	Engine Oil (10 Quarts)	SAE 10W-30
2503719	Engine Coolant (3 Gallons)	Antifreeze (Pre-mixed)
2500219	Blade Shaft Fluid (2.5 Quarts)	Automatic Transmission Fluid (ATF)
2500219	Lift Pump Fluid (1.5 Quarts)	Automatic Transmission Fluid (ATF)

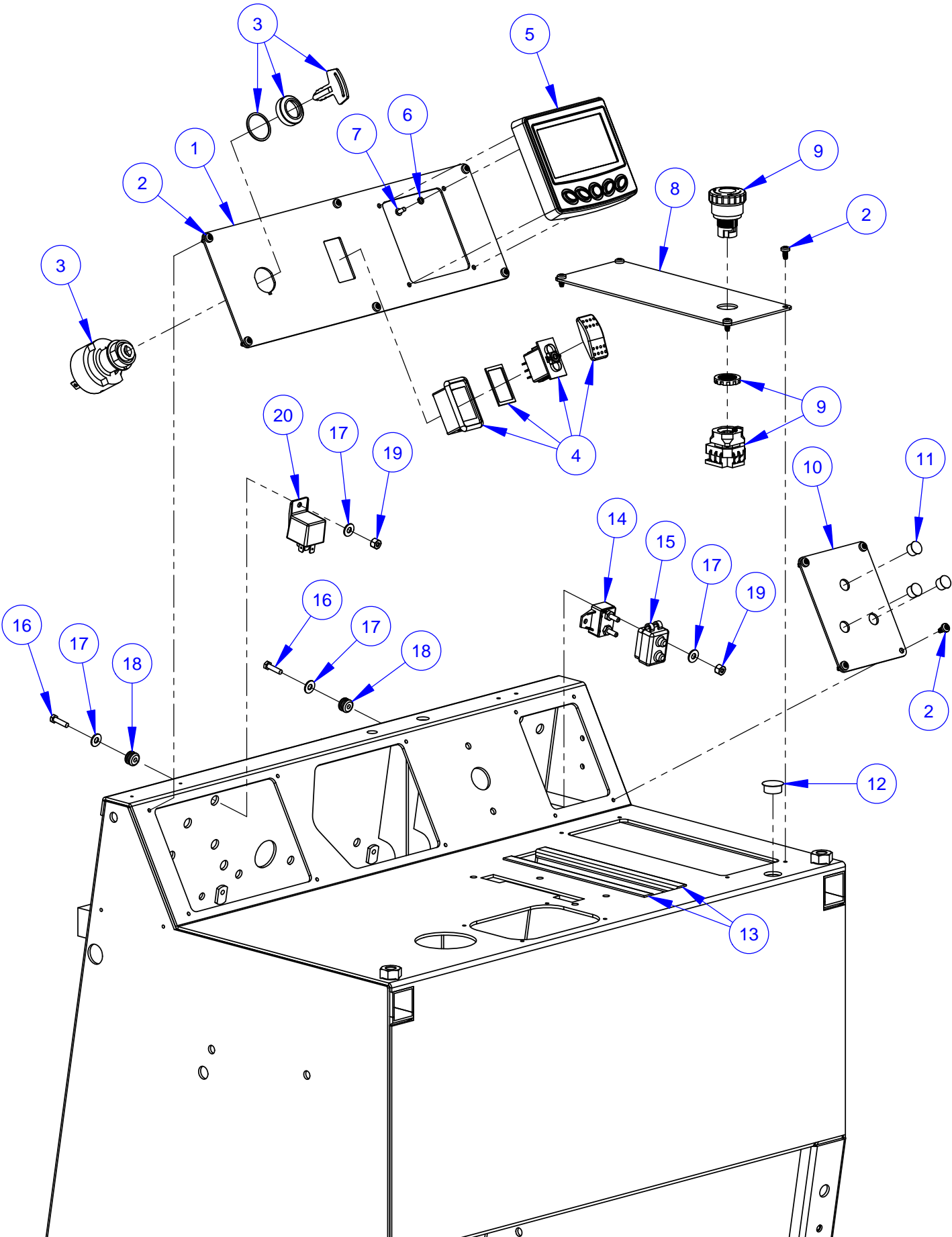
Frame Upright Assembly #6019322A



Frame Upright Assembly #6019322A

ITEM	PART NO.	QTY.	DESCRIPTION
1	6010687	1	Frame Upright Weldment
2	2900013	2	Cap Screw, Hex Hd., 3/8-16 x 1-1/4"
3	2900014	2	Flat Washer, 3/8" SAE
4	2900018	2	Locknut, 3/8-16, Nylon
5	2900499	4	Cap Screw, Hex Hd., 1/2-13 x 1-1/2"
6	2900058	4	Flat Washer, 1/2" SAE
7	2900026	4	Lock Nut, 1/2-13 Nylon
8	6010014	2	Handle Bar, 36" Long
9	2500636	2	Handle Grip
10	2501955	2	Handle Stop Grip
11	2900863	2	Cap Screw, Button Hd., 1/4-20 x 5/8"
12	2900024	2	Lock Washer, 1/4" Split
13	2900083	2	Fender Washer, 1/4" x 1-1/4"
14	2900430	2	Hand Lock Knob, 1/2-13 x 1-1/2"
15	2501427	1	Rope Cleat
16	2900483	2	Tap Screw, Flat Hd., #10-24 x 1-1/4"
17	6010015	1	Rear Cover Screen
18	2503687	2	Pocket Pull Handle
19	2900180	4	Cap Screw, Hex Flange Hd., 1/4-20 x 1"
20	6019271	2	Split Grommet Plate
21	2506042	1	Grommet, 3/4" I.D.
22	2900794	4	Machine Screw, Pan Hd., M5-0.8 x 12mm
23	2900301	4	Lock Nut, M5-0.8 Nylon Insert
24	2501146	1	Plug, 1-1/4" Hole
25	2501287	13	Plug, 7/16" Hole
26	2500462	5	Plug, 3/8" Hole
27	2503749	5	Plug, 5/16" Hole (Tapered)
28	6019282	1	Cover Plate
29	2900021	4	Tap Screw, Pan Hd., #10-24 x 3/8"
30	1800169	1	Serial Number Plate, US
31	2900096	2	Rivet, 3/32" Dia.
32	1800377	1	Serial Number Plate, CE
33	2900287	2	Rivet, 1/8" Dia.
34	2503704	1	Wrench, 15/16" Combination

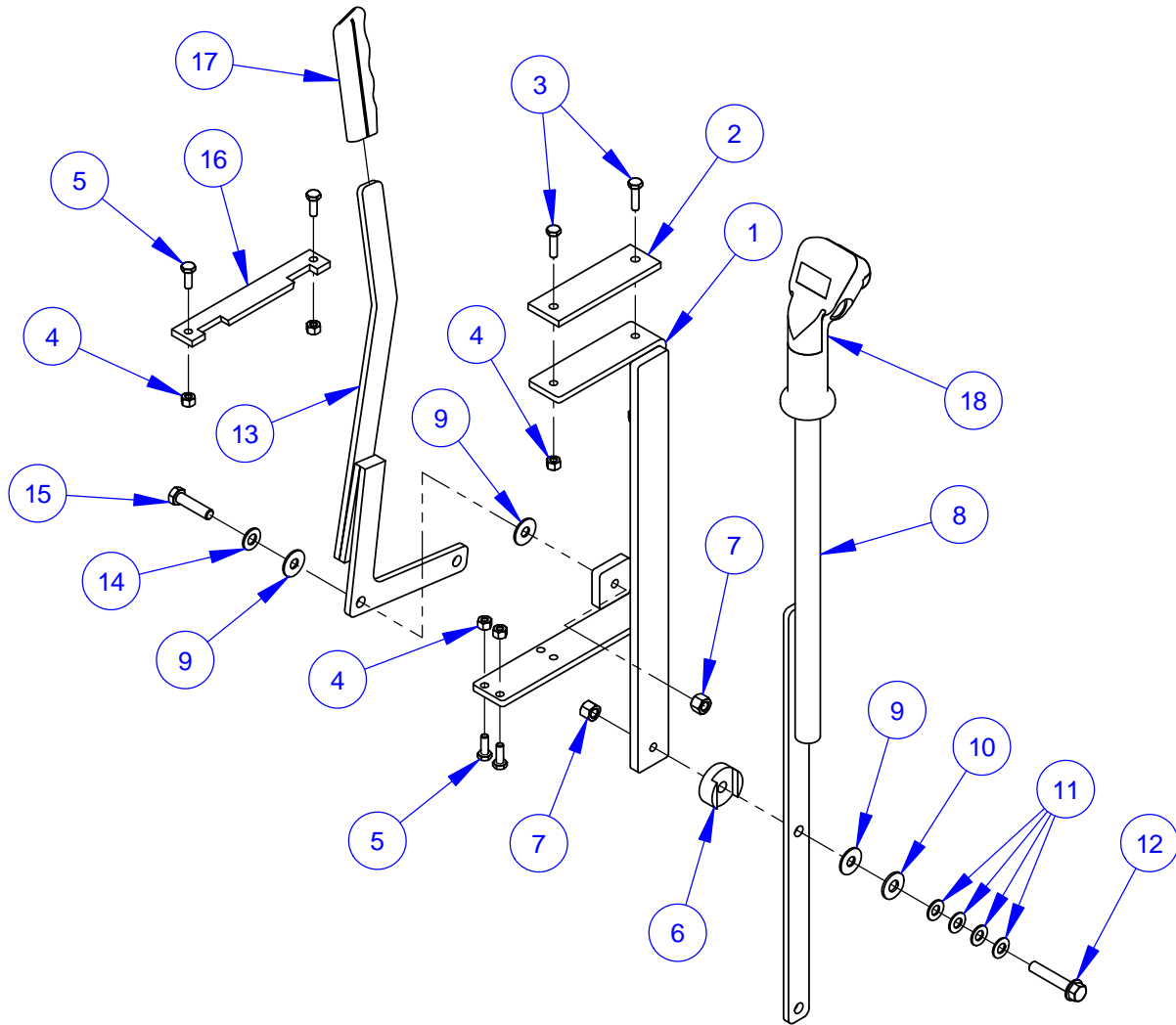
Instrument Panel Assembly #6019323



Instrument Panel Assembly #6019323

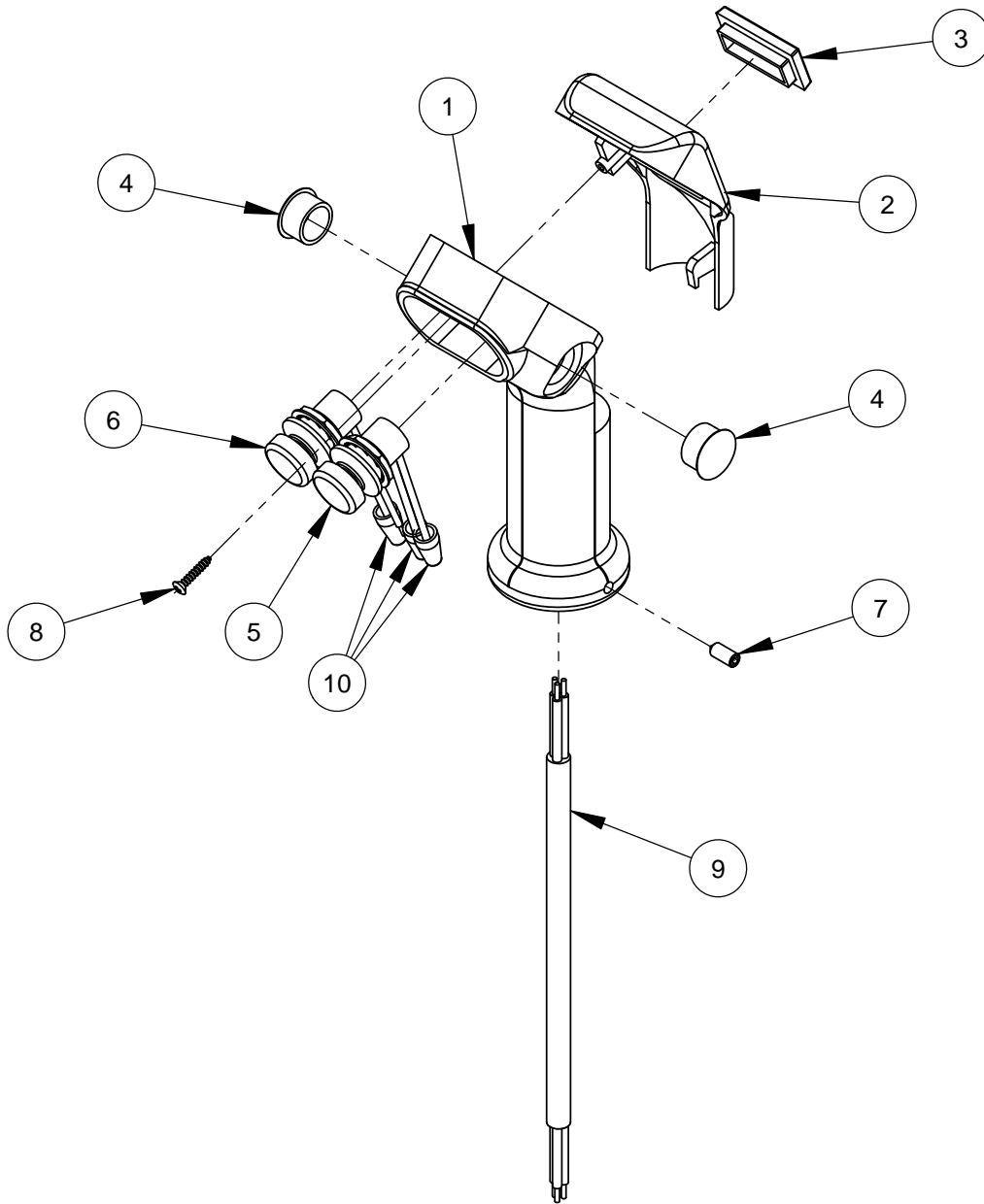
ITEM	PART NO.	QTY.	DESCRIPTION
1	6019244	1	Instrument Panel
2	2900021	14	Tap Screw, Pan Hd., #10-24 x 3/8"
3	2705001	1	Ignition Switch & Keys
	2705000	1	Ignition Keys Only (Pair)
4	6019158	1	Rocker Switch Assembly
	2800258	1	Rocker Switch Body
	2800259	1	Rocker Switch Actuator
	2800260	1	Rocker Mount Panel
	2800261	1	Rocker Panel Gasket
5	2801040	1	Murphy Display
6	2900677	4	Lock Washer, #8 Split
7	2900114	4	Machine Screw, Rd. Hd., #8-32 x 3/8"
8	6010019	1	Hydraulic Pump Cover Plate
9	2801367	1	E-Stop Switch
10	6010098	1	Switch Plate
11	2500204	3	Plug, 1/2" Hole
12	2500463	1	Plug, 3/4" Hole
13	6010101	2	Edge Trim 8-1/2"
14	2801276	1	Circuit Breaker, 50 Amp
15	2800364	1	Circuit Breaker Boot
16	2900015	2	Machine Screw, Hex Hd., #10-24 x 3/4"
17	2900016	4	Flat Washer, #10 USS
18	2506028	2	Grommet, 3/16" I.D.
19	2900017	2	Lock Nut, #10-24 Nylon
20	2800144	1	Relay, 50 Amp, 12V, SPDT

Control Lever Assembly #6010719



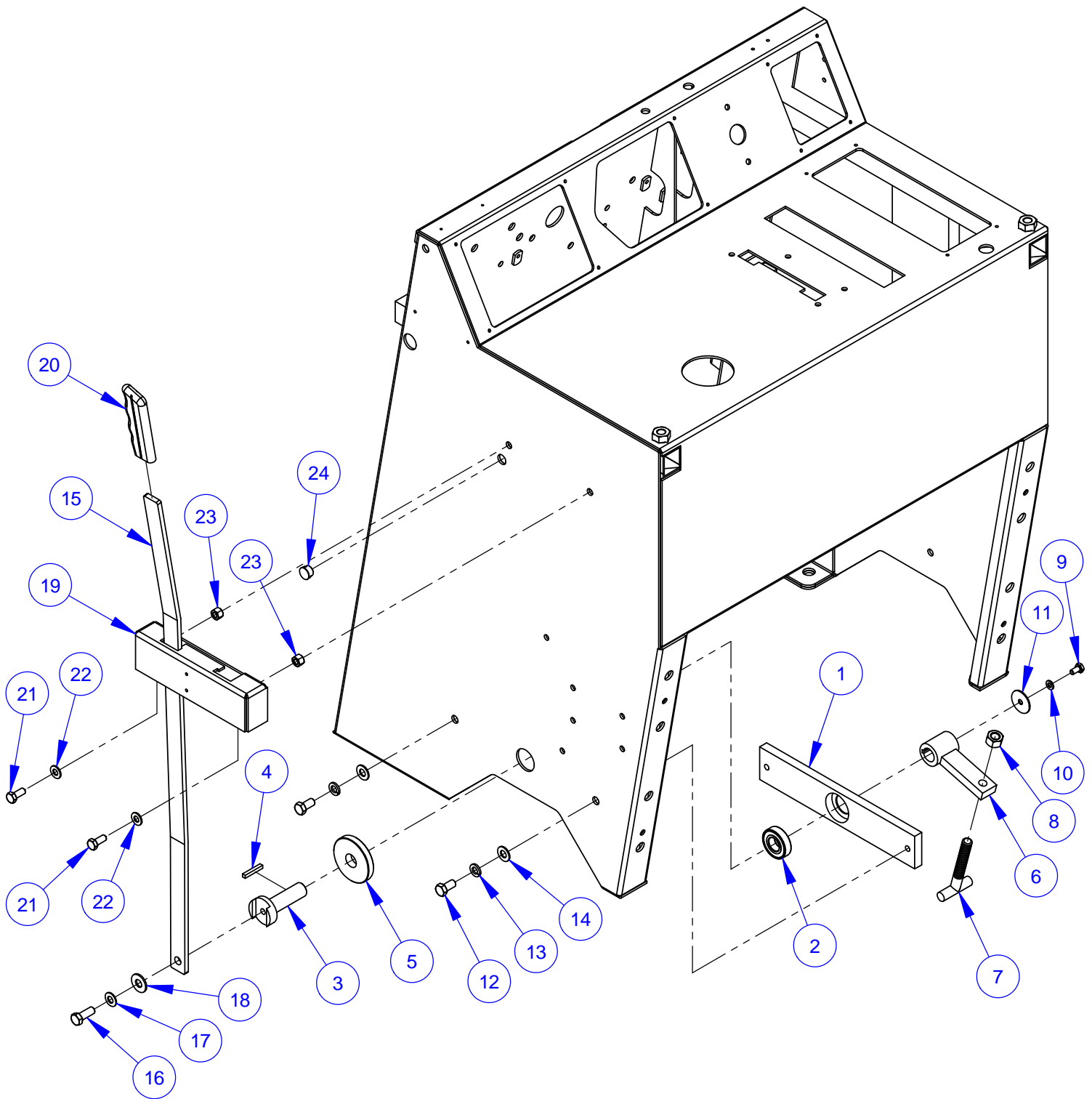
ITEM	PART NO.	QTY.	DESCRIPTION
1	6010056	1	Lever Support Weldment
2	2501339	1	Rubber Support Mount
3	2900008	2	Cap Screw, Hex Hd., 1/4-20 x 1"
4	2900010	6	Lock Nut, 1/4-20 Nylon
5	2900144	4	Cap Screw, Hex Hd., 1/4-20 x 3/4"
6	6010055	1	Friction Spacer
7	2900018	2	Locknut, 3/8-16, Nylon
8	6010314	1	Speed Control Lever
9	2900153	3	Friction Washer, 3/8"
10	2900473	1	Flat Washer, 3/8" USS
11	2900474	4	Belleville Washer, 3/8"
12	2900472	1	Cap Screw, Hex Flange Hd., 3/8-16 x 2"
13	6010057	1	Engagement Lever Weldment
14	2900014	1	Flat Washer, 3/8" SAE
15	2900029	1	Cap Screw, Hex Hd., 3/8-16 x 1-1/2"
16	6010058	1	Gate Plate
17	2500002	1	Lever Grip
18	6010319	1	Control Grip Assembly

Control Grip Assembly #6010319



ITEM	PART NO.	QTY.	DESCRIPTION
1	2501280	1	Control Grip Body
2	2501281	1	Control Grip Cover
3	2500644	1	Plug, Rectangular
4	2500694	2	Plug, 5/8" Hole
5	2800372	1	Pushbutton Switch (B&G)
6	2800373	1	Pushbutton Switch (B&W)
7	2900453	1	Set Screw, Soc. Hd., M5-0.8 x 12mm
8	2900452	1	Machine Screw, Oval Hd., #4 x 5/8"
9	2800393	1	Harness, Hydraulic Pump
10	2800002	3	Wire Nut, 22-16 Gage

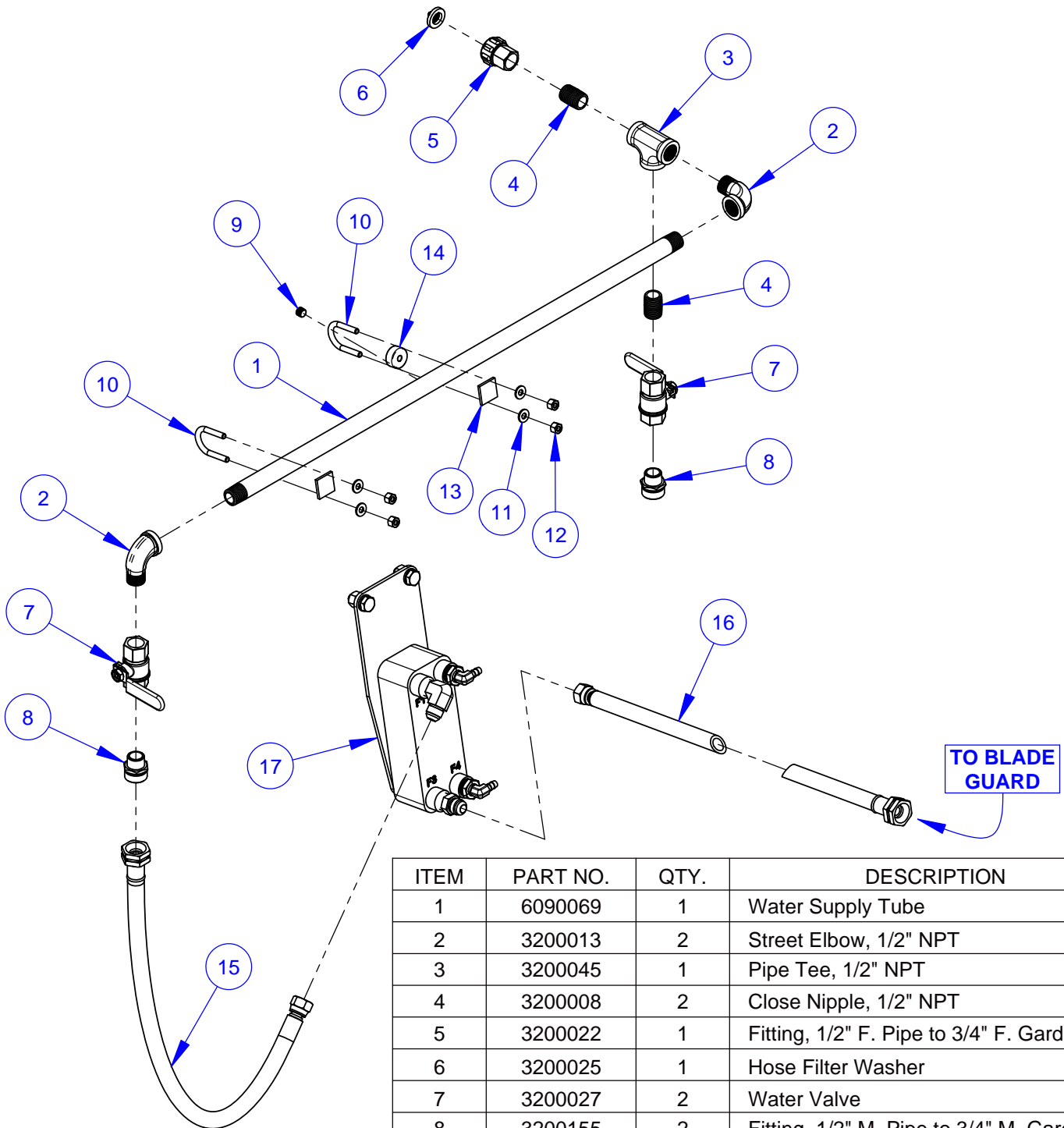
Parking Brake Assembly #6011228



Parking Brake Assembly #6011228

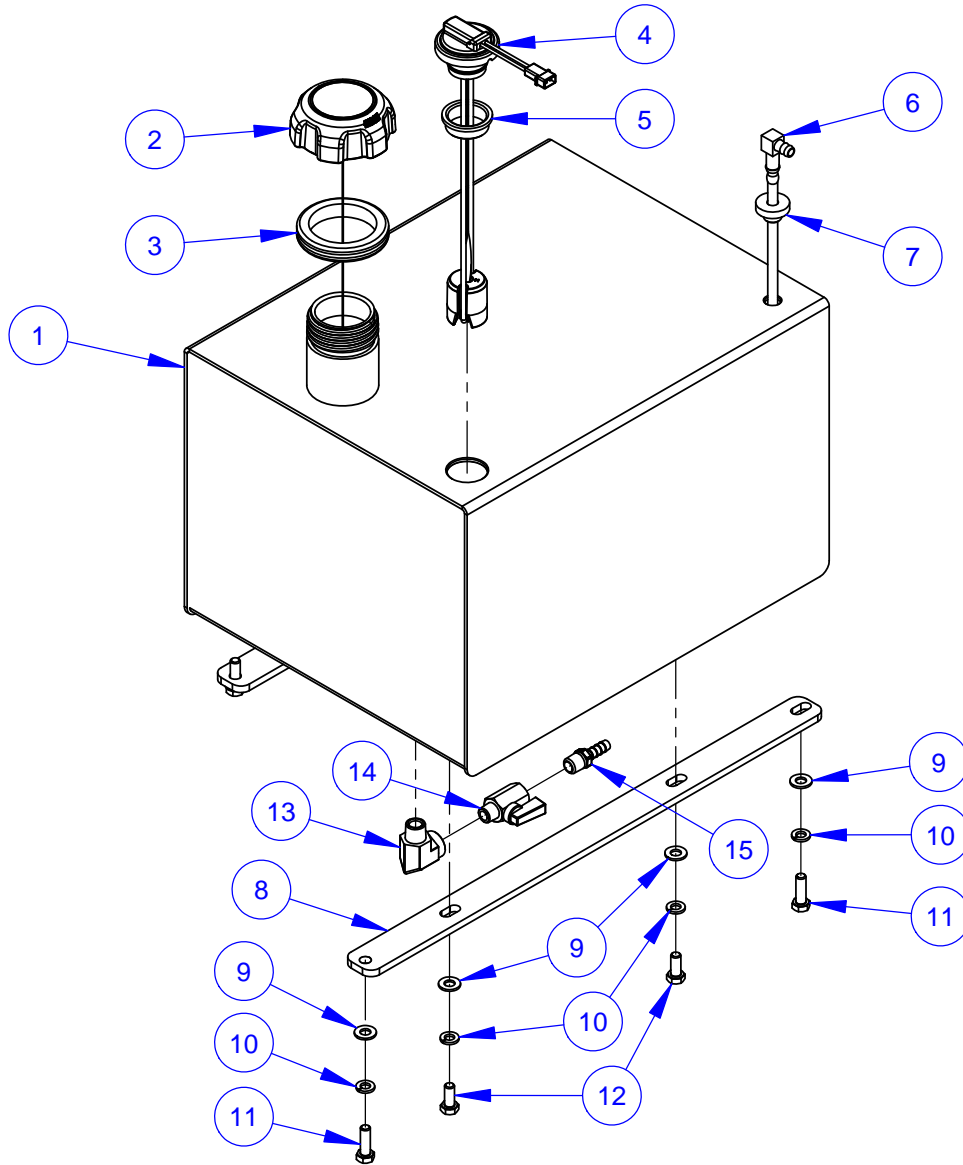
ITEM	PART NO.	QTY.	DESCRIPTION
1	6011229	1	Bearing Housing Bar
2	2501664	1	Ball Bearing, 3/4" x 1-5/8" x 7/16"
3	6011230	1	Pivot Pin
4	6048229	1	Key, 3/16" Sq. x 1-1/4"
5	6011234	1	Friction Disc, 3/4" x 2-1/2" x 3/8"
6	6011231	1	Pivot Arm
7	2900632	1	T-Bolt, 1/2-13
8	2900037	1	Hex Nut, 1/2-13
9	2900082	1	Cap Screw, Hex Hd., 1/4-20 x 1/2"
10	2900024	1	Lock Washer, 1/4" Split
11	2900083	1	Fender Washer, 1/4" x 1-1/4"
12	2900196	2	Cap Screw, Hex Hd., 3/8-16 x 3/4"
13	2900006	2	Lock Washer, 3/8" Split
14	2900014	2	Flat Washer, 3/8" SAE
15	6011232	1	Brake Lever
16	2900005	1	Cap Screw, Hex Hd., 3/8-16 x 1"
17	2900474	1	Belleville Washer, 3/8"
18	2900473	1	Flat Washer, 3/8" USS
19	6011233	1	Lever Gate
20	2500002	1	Lever Grip
21	2900019	2	Cap Screw, Hex Hd., 5/16-18 x 3/4"
22	2900022	2	Flat Washer, 5/16" SAE
23	2900039	2	Lock Nut, 5/16-18 Nylon
24	2503783	1	Plug, 9/16" Hole

Water Supply Assembly #6019405



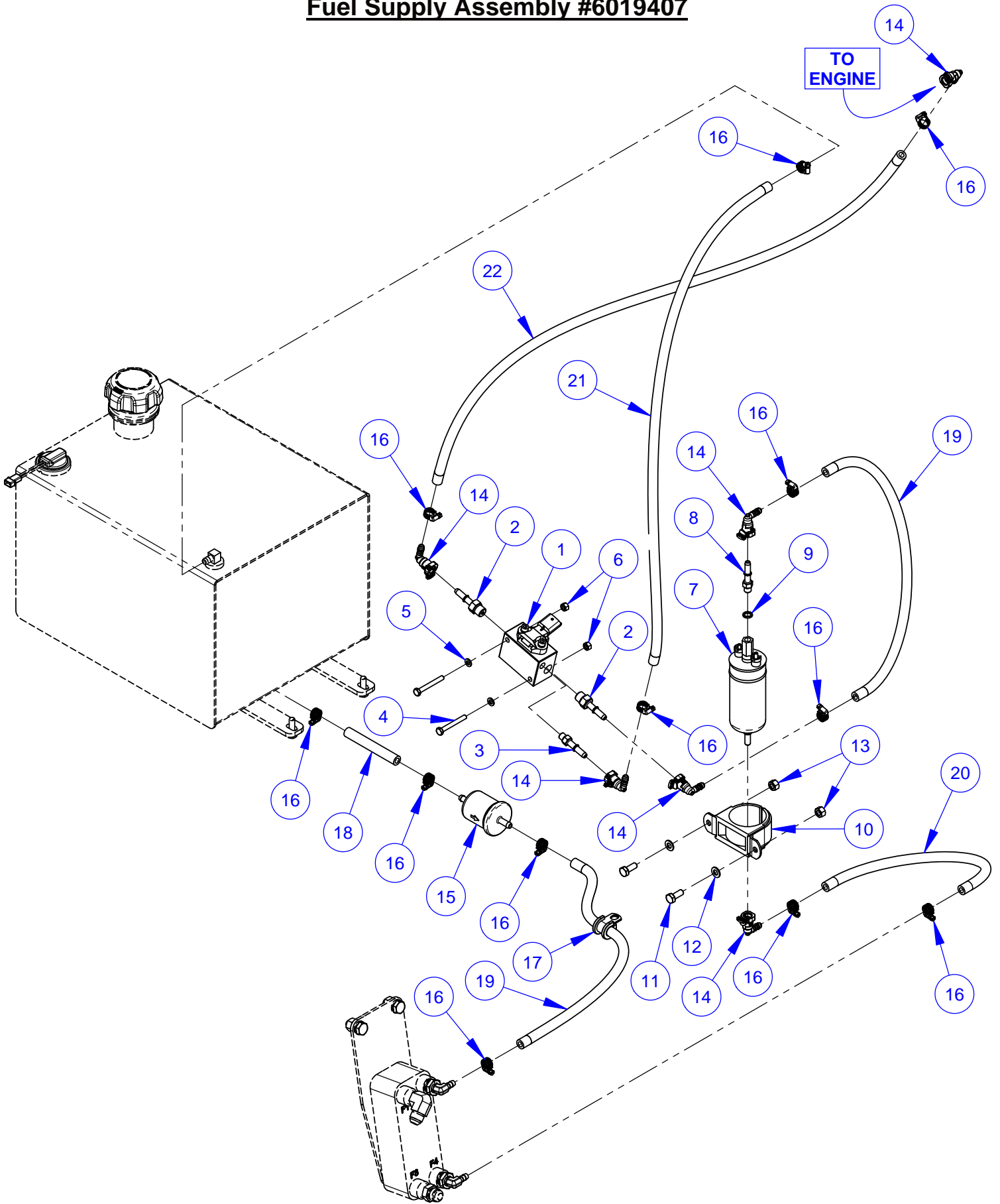
ITEM	PART NO.	QTY.	DESCRIPTION
1	6090069	1	Water Supply Tube
2	3200013	2	Street Elbow, 1/2" NPT
3	3200045	1	Pipe Tee, 1/2" NPT
4	3200008	2	Close Nipple, 1/2" NPT
5	3200022	1	Fitting, 1/2" F. Pipe to 3/4" F. Garden
6	3200025	1	Hose Filter Washer
7	3200027	2	Water Valve
8	3200155	2	Fitting, 1/2" M. Pipe to 3/4" M. Garden
9	3200001	1	Plug, 1/8" NPT
10	2900241	2	U-Bolt, 1/2" Pipe
11	2900009	4	Flat Washer, 1/4" SAE
12	2900010	4	Lock Nut, 1/4-20 Nylon
13	6011547	2	Rubber Cushion
14	2400169	1	Knob Gasket
15	6019281	1	Water Hose Assembly 48"
16	6017446	1	Water Hose Assembly 72"
17	6019408	1	Fuel Cooler Assembly

Fuel Tank Assembly #6019284



ITEM	PART NO.	QTY.	DESCRIPTION
1	6045544	1	Fuel Tank, 9 Gallon
2	2506032	1	Fuel Tank Cap, Unleaded
3	2500205	1	Fuel Tank Grommet
4	2506033	1	Fuel Level Sender
5	2503963	1	Grommet, Fuel Sender
6	2503708	1	Tank Elbow with Tube
7	2501215	1	Bushing, Tank (Rubber)
8	6010257	2	Fuel Tank Mount Bar
9	2900022	8	Flat Washer, 5/16" SAE
10	2900031	8	Lock Washer, 5/16" Split
11	2900138	4	Cap Screw, Hex Hd., 5/16-18 x 1"
12	2900019	4	Cap Screw, Hex Hd., 5/16-18 x 3/4"
13	3205586	1	Street Elbow, 3/8" M. to 1/4" F. Pipe
14	3200108	1	Ball Valve, 1/4" NPT
15	3201304	1	Fitting, 1/4" M. Pipe to 5/16" Hose Barb

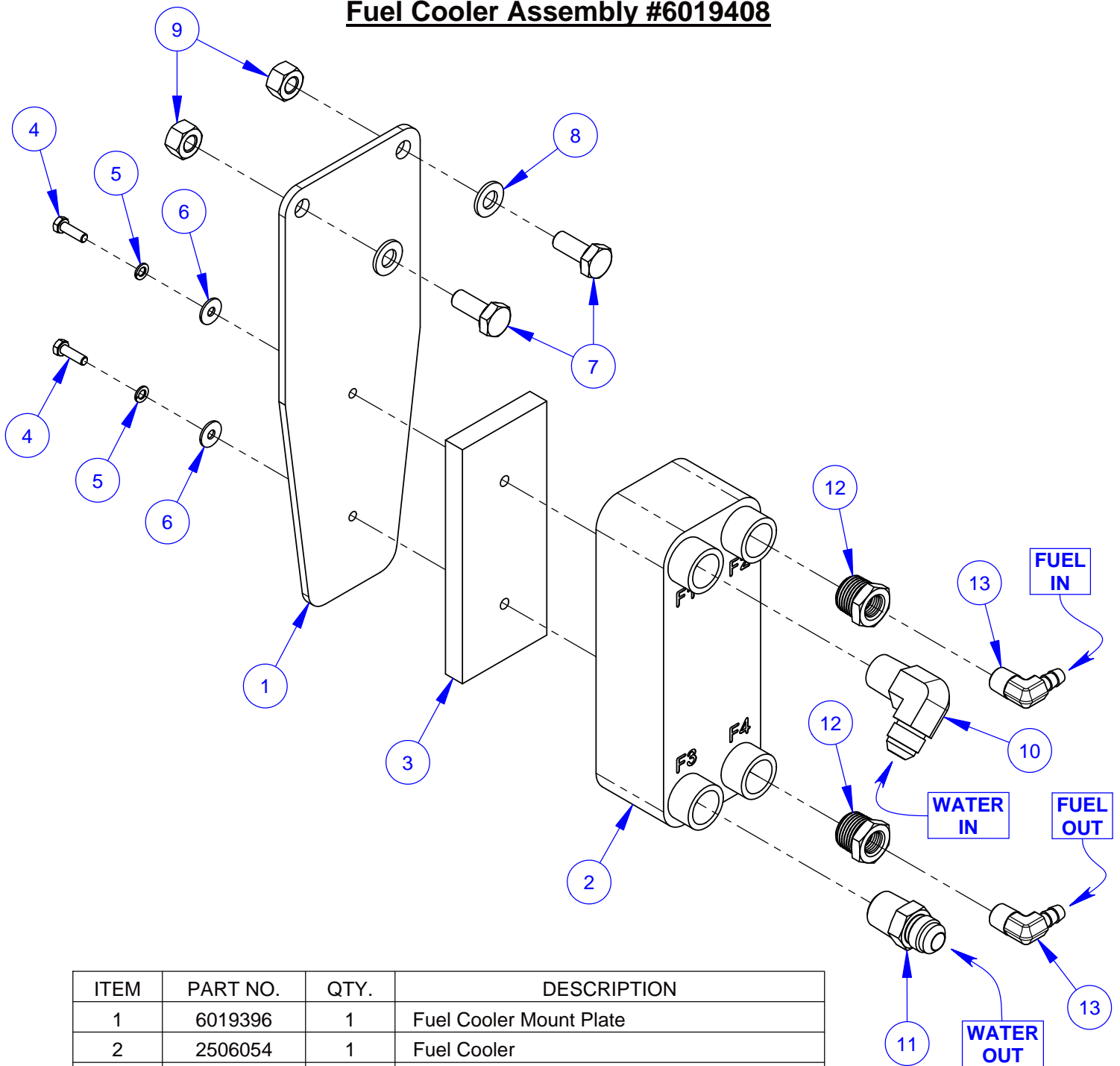
Fuel Supply Assembly #6019407



Fuel Supply Assembly #6019407

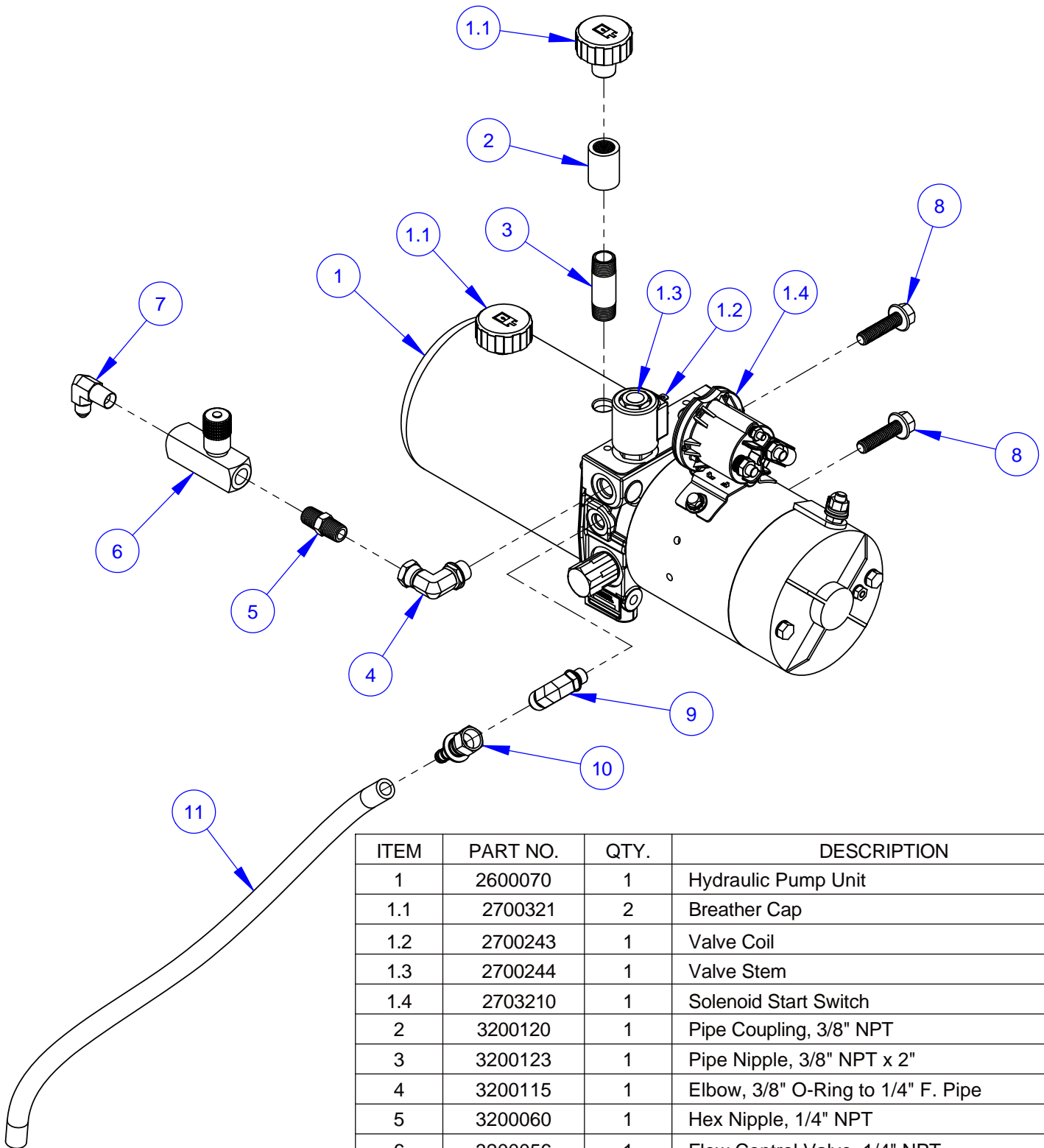
ITEM	PART NO.	QTY.	DESCRIPTION
1	2705225	1	Fuel Pressure Manifold
2	3202103	2	Fitting, 5/16" QC Stem to 3/8" O-Ring
3	3202104	1	Fitting, 5/16" QC Stem to 3/16" O-Ring
4	2901355	2	Cap Screw, Hex Hd., M6-1.0 x 50mm
5	2901494	2	Flat Washer, M6
6	2900302	2	Lock Nut, M6-1.0 Nylon Insert
7	2705226	1	Fuel Pump
8	3202105	1	Adapter, 5/16" QC Stem to M10x1
9	2705229	1	Copper Washer M10
10	3202101	1	Clamp, 2-1/8" Cushion
11	2900329	2	Capscrew, Hex Hd., M8 x 1.25 x 20mm
12	2901336	2	Flat Washer, M8
13	2900303	2	Lock Nut, M8-1.25 Nylon Insert
14	3202106	6	Elbow, 5/16" QC to 5/16" Hose Barb
15	2705227	1	Fuel Filter
16	3200062	12	Hose Clamp #4
17	2501434	1	Hose Clamp, 5/8" x 3/4" Wide
18	6013095	1	Fuel Hose, 5/16" I.D. x 4"
19	6017044	2	Fuel Hose, 5/16" I.D. x 20"
20	6017297	1	Fuel Hose, 5/16" I.D. x 14"
21	6019272	1	Fuel Hose, 5/16" I.D. x 36"
22	6019279	1	Fuel Hose, 5/16" I.D. x 40"

Fuel Cooler Assembly #6019408



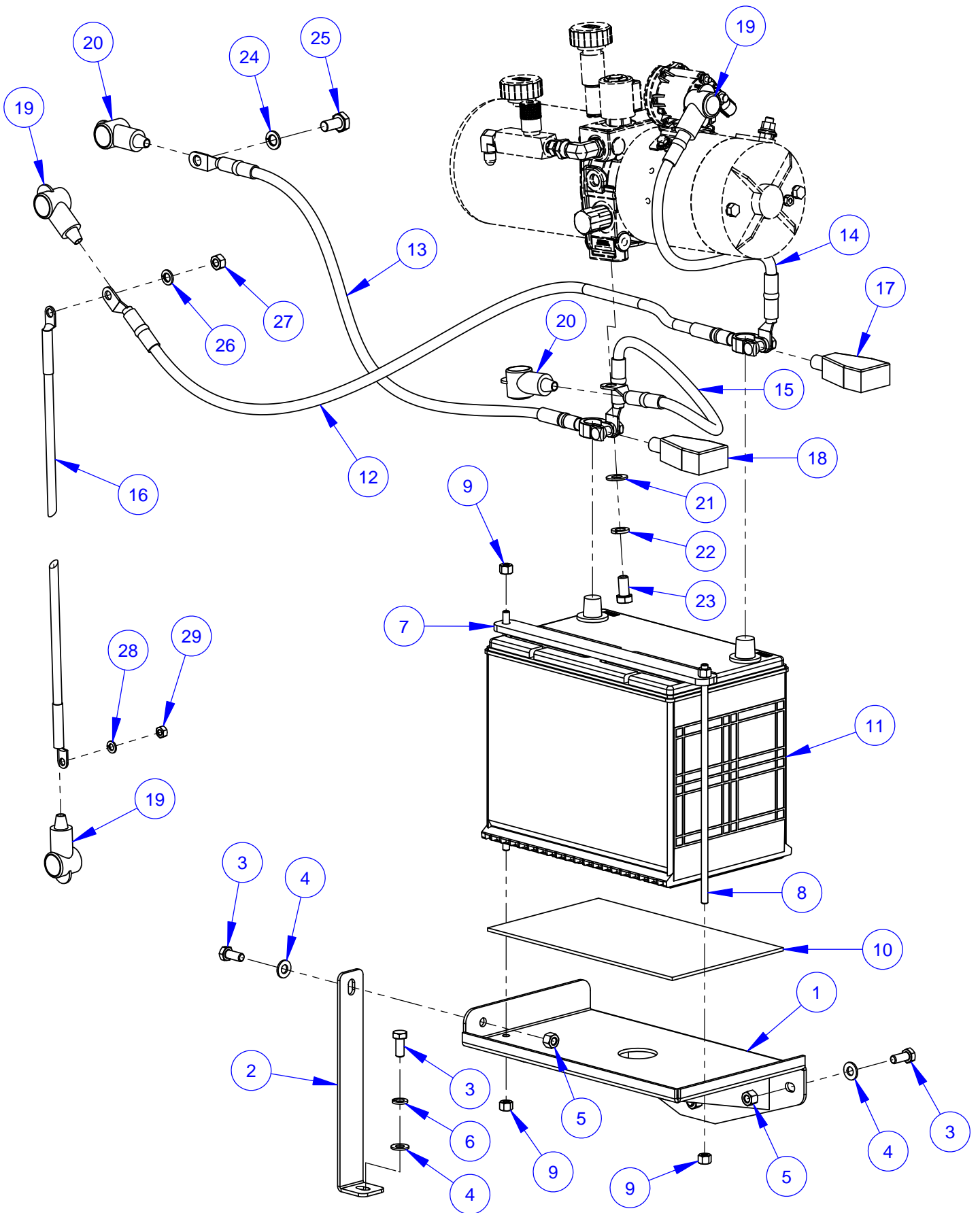
ITEM	PART NO.	QTY.	DESCRIPTION
1	6019396	1	Fuel Cooler Mount Plate
2	2506054	1	Fuel Cooler
3	6019280	1	Cooler Cushion
4	2902006	2	Cap Screw, Hex Hd., M5-0.8 x 16mm
5	2900767	2	Lock Washer, M5 Split
6	2900770	2	Fender Washer, M5
7	2900333	2	Cap Screw, Hex Hd., M10-1.5 x 25mm
8	2901356	2	Flat Washer, M10
9	2900304	2	Lock Nut, M10-1.5 Nylon Insert
10	3201461	1	Elbow, 1/2" M. JIC to 1/2" M. Pipe
11	3200283	1	Adapter, 1/2" M. Pipe x 1/2" M. JIC
12	3200229	2	Reducer, 1/2" M. to 1/4" F. Pipe
13	3200599	2	Elbow, 1/4" M. Pipe to 5/16" Hose Barb

Hydraulic Pump Assembly #6010213 (Includes Items #1 - #8)



ITEM	PART NO.	QTY.	DESCRIPTION
1	2600070	1	Hydraulic Pump Unit
1.1	2700321	2	Breather Cap
1.2	2700243	1	Valve Coil
1.3	2700244	1	Valve Stem
1.4	2703210	1	Solenoid Start Switch
2	3200120	1	Pipe Coupling, 3/8" NPT
3	3200123	1	Pipe Nipple, 3/8" NPT x 2"
4	3200115	1	Elbow, 3/8" O-Ring to 1/4" F. Pipe
5	3200060	1	Hex Nipple, 1/4" NPT
6	3200056	1	Flow Control Valve, 1/4" NPT
7	3200057	1	Elbow, 1/4" M. Pipe to 1/4" M. JIC
8	2901595	2	Cap Screw, Hex Flange Hd., 3/8-16 x 1-1/2"
9	3200116	1	Elbow, 1/4" O-Ring to 3/8" M. JIC
10	3200046	1	Fitting, 3/8" F. JIC to 3/8" Push Lock
11	6010059	1	Clear Hose, 3/8" I.D. x 19"

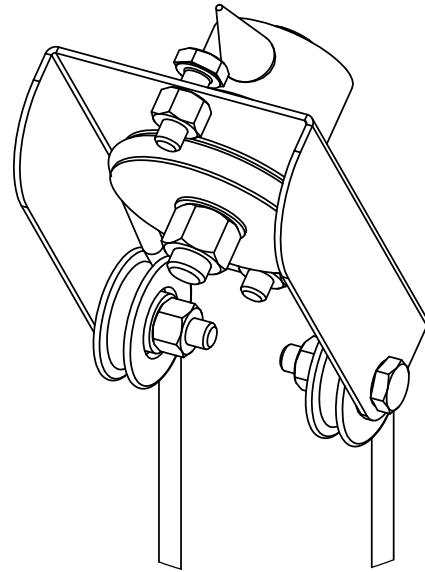
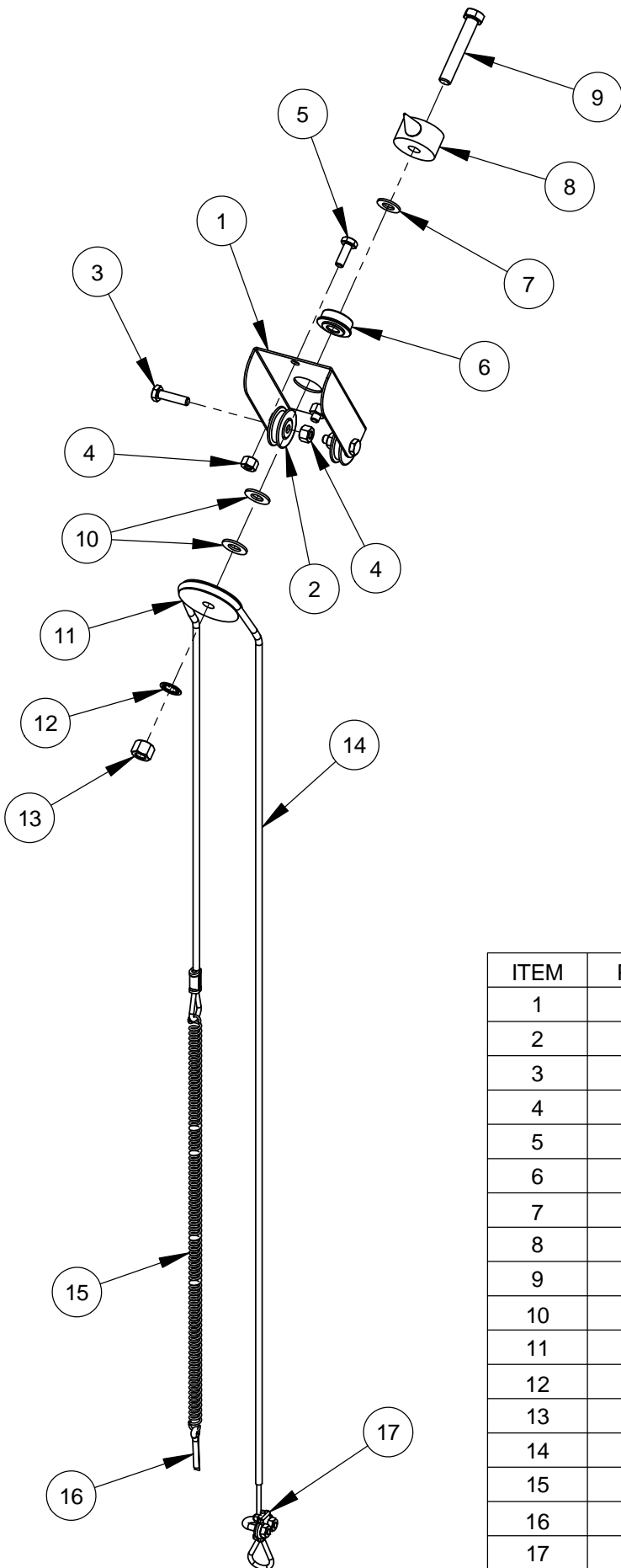
Battery Assembly #6019318



Battery Assembly #6019318

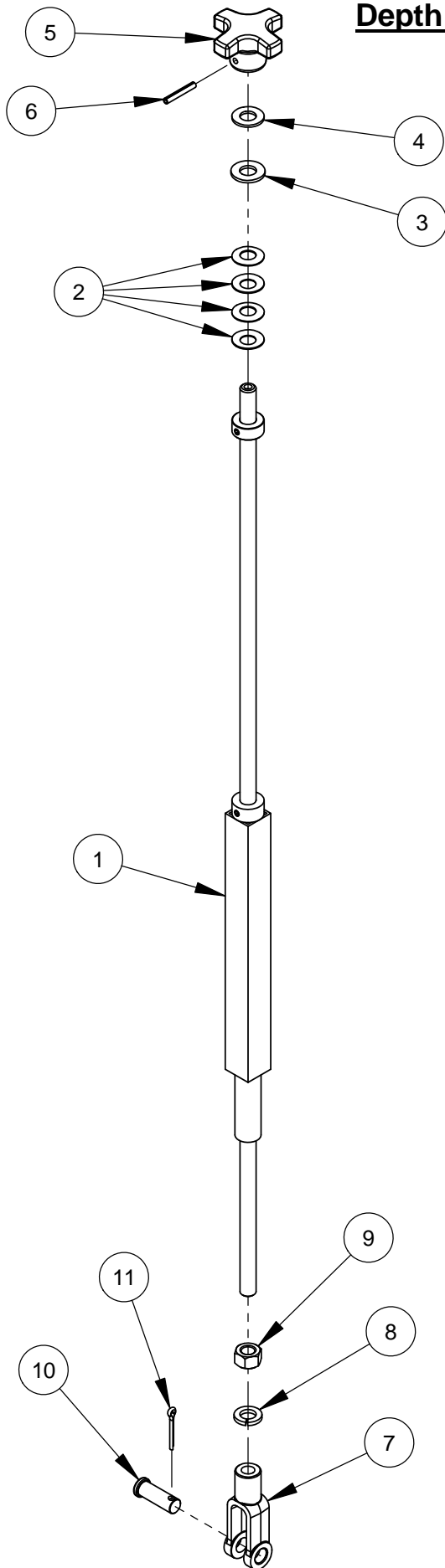
ITEM	PART NO.	QTY.	DESCRIPTION
1	6010670	1	Battery Platform
2	6010554	1	Battery Support Brace
3	2900019	5	Cap Screw, Hex Hd., 5/16-18 x 3/4"
4	2900022	5	Flat Washer, 5/16" SAE
5	2900039	4	Lock Nut, 5/16-18 Nylon
6	2900031	1	Lock Washer, 5/16" Split
7	6010017	1	Battery Top Brace
8	6010344	2	Rod, 1/4-20 x 9-1/2"
9	2900010	4	Lock Nut, 1/4-20 Nylon
10	6010016	1	Battery Pad
11	2800465	1	Battery, 12 Volt Group Size 24
12	2800082	1	Battery Cable, 48" Positive (Red)
13	2800072	1	Battery Cable, 30" Negative (Black)
14	2800095	1	Solenoid Cable, 14" Positive (Red)
15	2800182	1	Ground Cable, 14" Negative (Black)
16	2802007	1	Cable 57" (Red)
17	2800256	1	Battery Boot, Large (Red)
18	2800257	1	Battery Boot, Large (Black)
19	2800197	3	Battery Boot, Small (Red)
20	2800198	2	Battery Boot, Small (Black)
21	2900014	1	Flat Washer, 3/8" SAE
22	2900006	1	Lock Washer, 3/8" Split
23	2900196	1	Cap Screw, Hex Hd., 3/8-16 x 3/4"
24	2900321	1	Lock Washer, M10 Split
25	2901021	1	Cap Screw, Hex Hd., M10-1.25 x 20mm
26	2900763	1	Lock Washer, M8 Split
27	2900343	1	Hex Nut, M8-1.25
28	2900765	1	Lock Washer, M6 Split
29	2900305	1	Hex Nut, M6-1.0

Depth Indicator Assembly #6010214



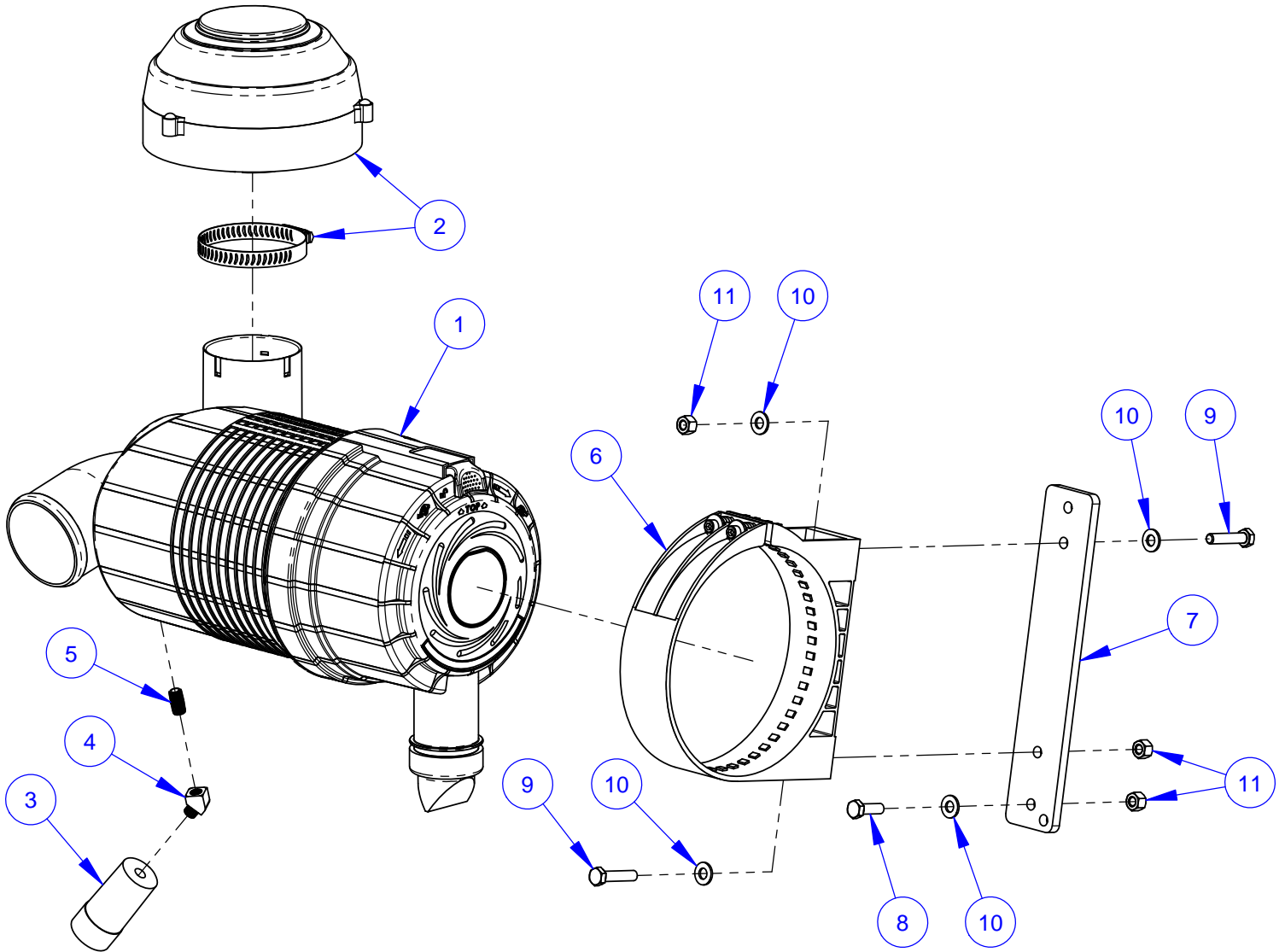
ITEM	PART NO.	QTY.	DESCRIPTION
1	6010092	1	Depth Indicator Mount Bracket
2	2500155	2	Cable Pulley, 1-1/4"
3	2900008	2	Cap Screw, Hex Hd., 1/4-20 x 1"
4	2900010	4	Lock Nut, 1/4-20 Nylon
5	2900144	2	Cap Screw, Hex Hd., 1/4-20 x 3/4"
6	2500145	1	Flange Bearing, 3/8"
7	2901383	1	Friction Washer, 3/8"
8	6010091	1	Depth Indicator Pointer
9	2900079	1	Cap Screw, Hex Hd., 3/8-16 x 2-1/4"
10	2900014	2	Flat Washer, 3/8" SAE
11	6010093	1	Cable Pulley, 2"
12	2900254	1	Lock Washer, 3/8" Internal Tooth
13	2900018	1	Lock Nut, 3/8-16 Nylon
14	6010094	1	Depth Indicator Cable with Crimp, 48"
15	2500196	1	Spring, 3/8" x 15"
16	2900055	1	Cotter Pin, 3/16" x 1"
17	2500214	1	Cable Clamp

Depth Stop Assembly #6010215



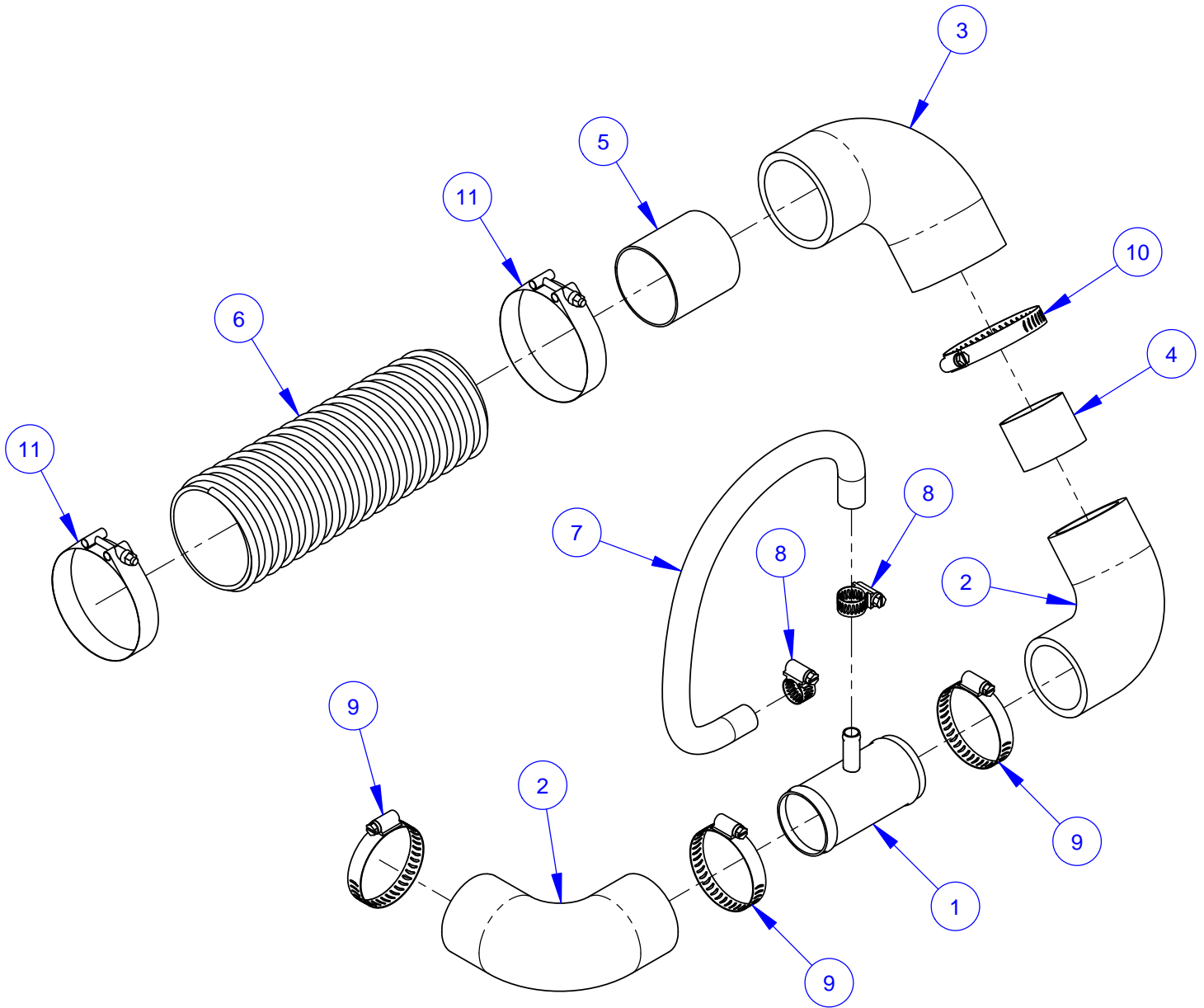
ITEM	PART NO.	QTY.	DESCRIPTION
1	6010097	1	Depth Stop Weldment
2	2900665	4	Belleville Washer, 1/2"
3	2900058	1	Flat Washer, 1/2" SAE
4	2900239	1	Friction Washer, 1/2"
5	6010095	1	Depth Stop Knob
6	2900132	1	Roll Pin, 3/16" x 1-1/4"
7	2900158	1	Yoke, 1/2-13
8	2900084	1	Lock Washer, 1/2" Split
9	2900037	1	Hex Nut, 1/2-13
10	2900007	1	Clevis Pin, 1/2" Dia. x 1-3/8"
11	2900004	1	Cotter Pin, 1/8" x 1"

Air Cleaner Assembly #6019306



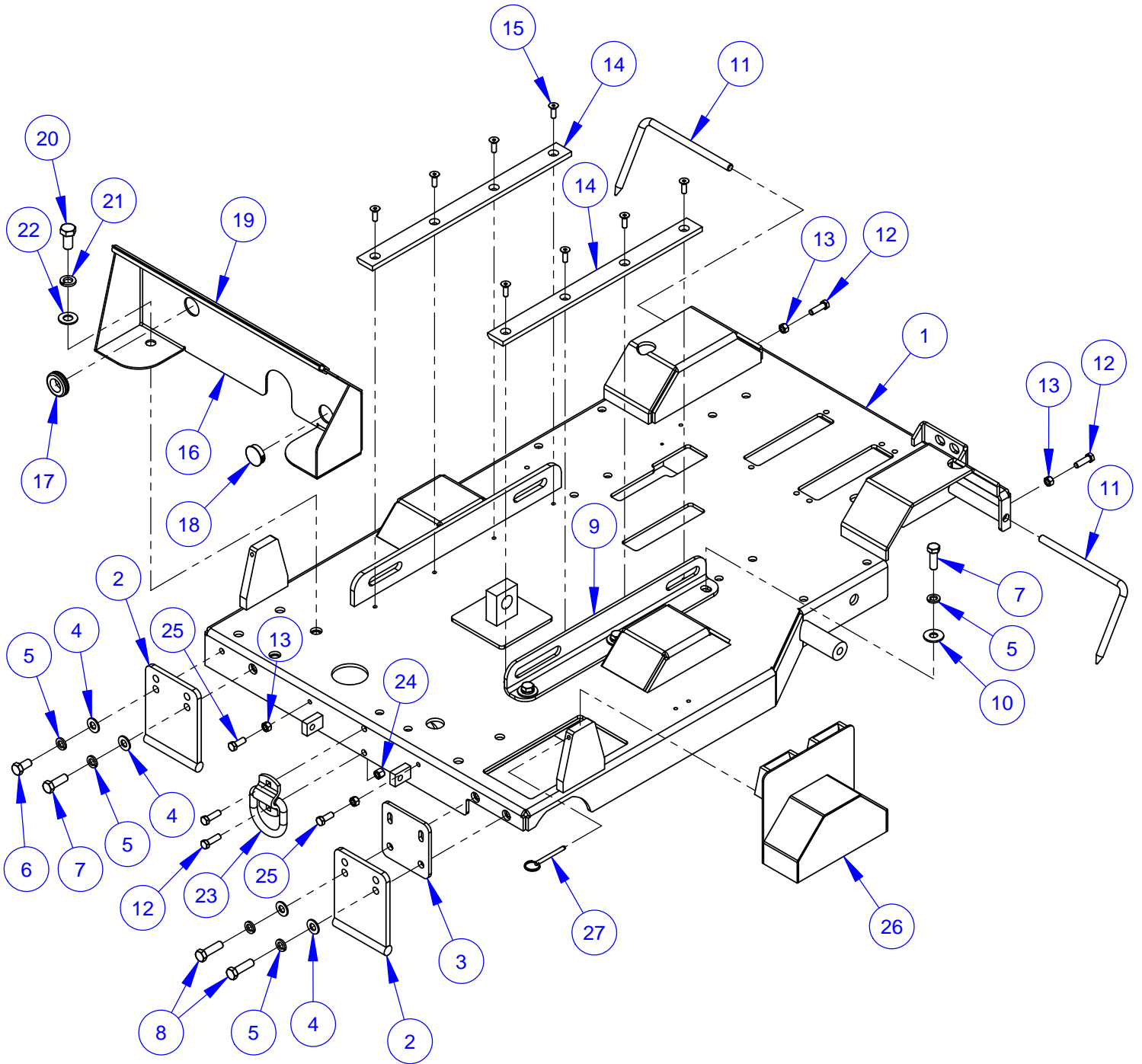
ITEM	PART NO.	QTY.	DESCRIPTION
1	2503852	1	Air Cleaner Complete
	2501386	1	Outer Primary Filter
	2501387	1	Inner Safety Filter
	2500239	1	Rubber Dust Ejector Boot
2	2501388	1	Pre-Cleaner with Clamp
	3200197	1	Hose Clamp #52
3	2500423	1	Restriction Indicator
4	3200099	1	Street Elbow, 1/8" NPT x 45 Deg.
5	3200117	1	Close Nipple, 1/8" NPT
6	2501385	1	Mounting Band, Polymer
7	6017387	1	Air Filter Mount Plate
8	2900138	1	Cap Screw, Hex Hd., 5/16-18 x 1"
9	2900508	2	Cap Screw, Hex Hd., 5/16-18 x 1-1/2"
10	2900022	4	Flat Washer, 5/16" SAE
11	2900039	3	Lock Nut, 5/16-18 Nylon

Air Intake Assembly #6019307



ITEM	PART NO.	QTY.	DESCRIPTION
1	2705218	1	Air Intake Pipe
2	2500171	2	Hose Elbow, 2" I.D.
3	2500232	1	Hose Elbow, 2-1/2" I.D.
4	6010051	1	Connector Tube, 2" O.D.
5	6010052	1	Connector Tube, 2-1/2" O.D.
6	6019347	1	Flex Hose, 3" I.D. x 12"
7	6019348	1	Hose, 1/2" ID x 18"
8	3200016	2	Hose Clamp #8
9	3200095	3	Hose Clamp #32
10	3200096	1	Hose Clamp #40
11	3202098	2	T-Bolt Clamp, 3-1/2"

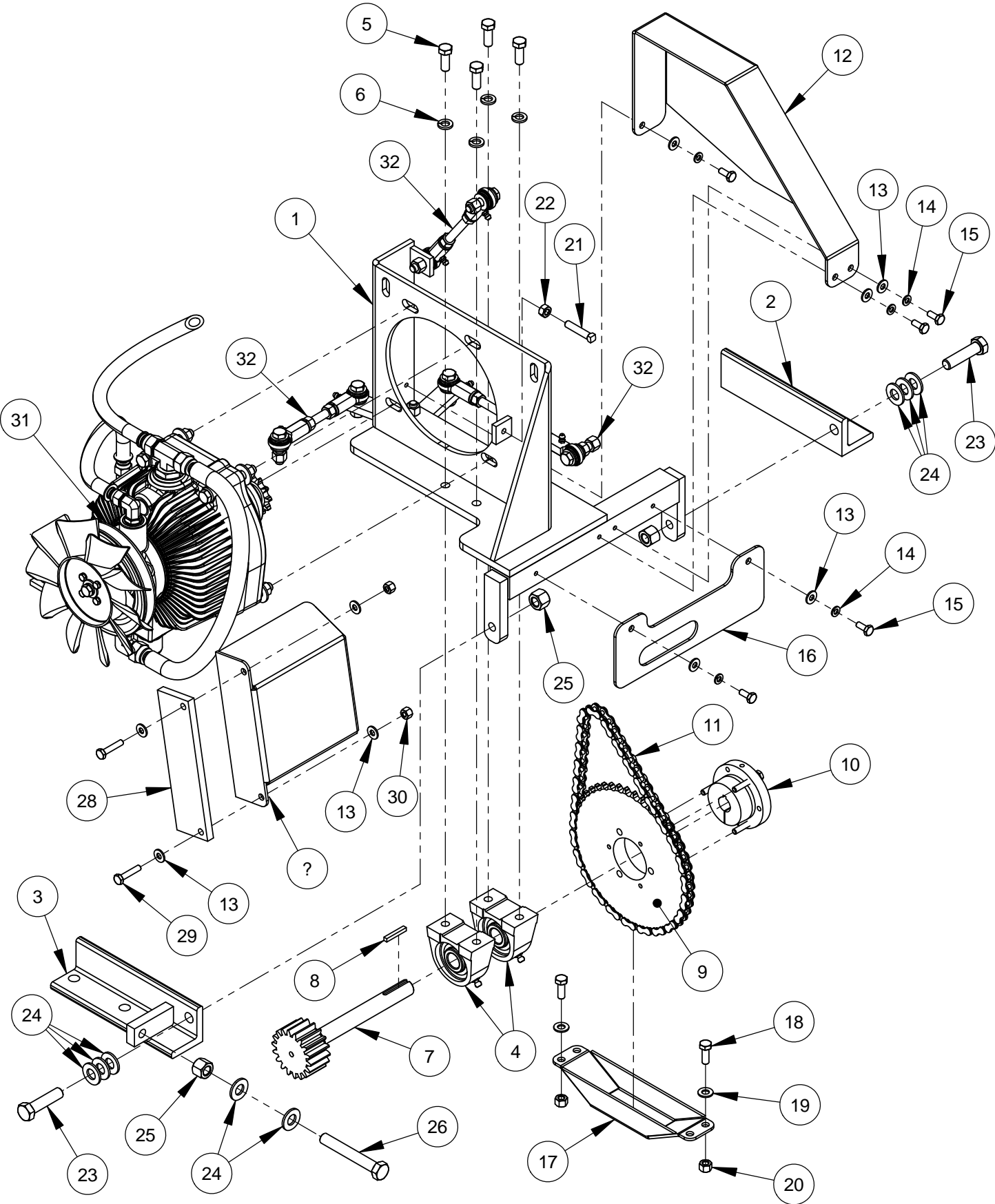
Frame Base Assembly #6019000



Frame Base Assembly #6019000

ITEM	PART NO.	QTY.	DESCRIPTION
1	6019020	1	Frame Base
2	6010681	2	Skid Plate
3	6010973	1	Guard Attachment Plate
4	2900058	4	Flat Washer, 1/2" SAE
5	2900084	7	Lock Washer, 1/2" Split
6	2900086	1	Cap Screw, Hex Hd., 1/2-13 x 1"
7	2900499	4	Cap Screw, Hex Hd., 1/2-13 x 1-1/2"
8	2900139	2	Cap Screw, Hex Hd., 1/2-13 x 1-3/4"
9	6019021	1	Engine Guide
10	2900127	3	Flat Washer, 1/2" USS
11	6010683	2	Rear Pointer Rod
12	2900013	4	Cap Screw, Hex Hd., 3/8-16 x 1-1/4"
13	2900033	4	Hex Nut, 3/8-16
14	6019022	2	Engine Slide Bar
15	2900174	8	Cap Screw, Flat Hd., 5/16-18 x 1"
16	6019099	1	Air Shield
17	2504455	1	Grommet, 1" I.D.
18	2506087	1	Plug, 1-3/8" Hole
19	6019115	1	Edge Trim Seal 20"
20	2900512	1	Cap Screw, Hex Hd., 5/8-11 x 1-1/4"
21	2900113	1	Lock Washer, 5/8" Split
22	2900002	1	Flat Washer, 5/8" SAE
23	2504368	1	Tie Down
24	2900018	2	Locknut, 3/8-16, Nylon
25	2900005	2	Cap Screw, Hex Hd., 3/8-16 x 1"
26	6010645	1	Shaft/Flange Guard (Wide)
27	2900156	1	Lock Pin with Ring

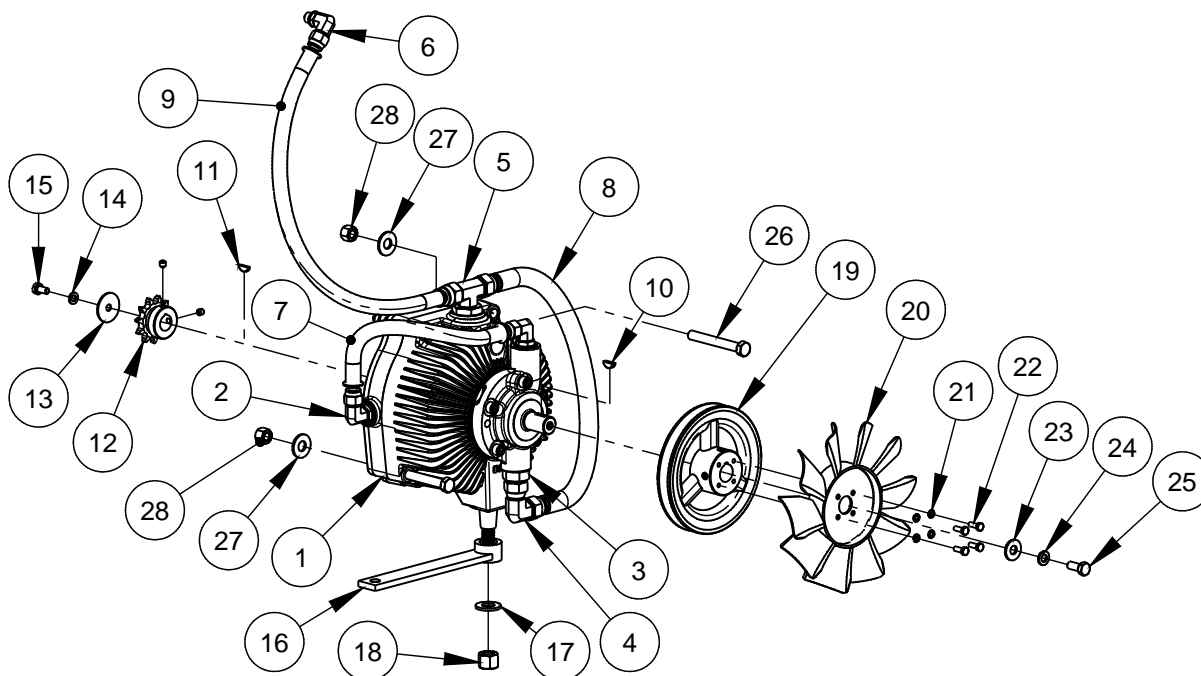
Rear Drive Assembly #6013178



Rear Drive Assembly #6013178

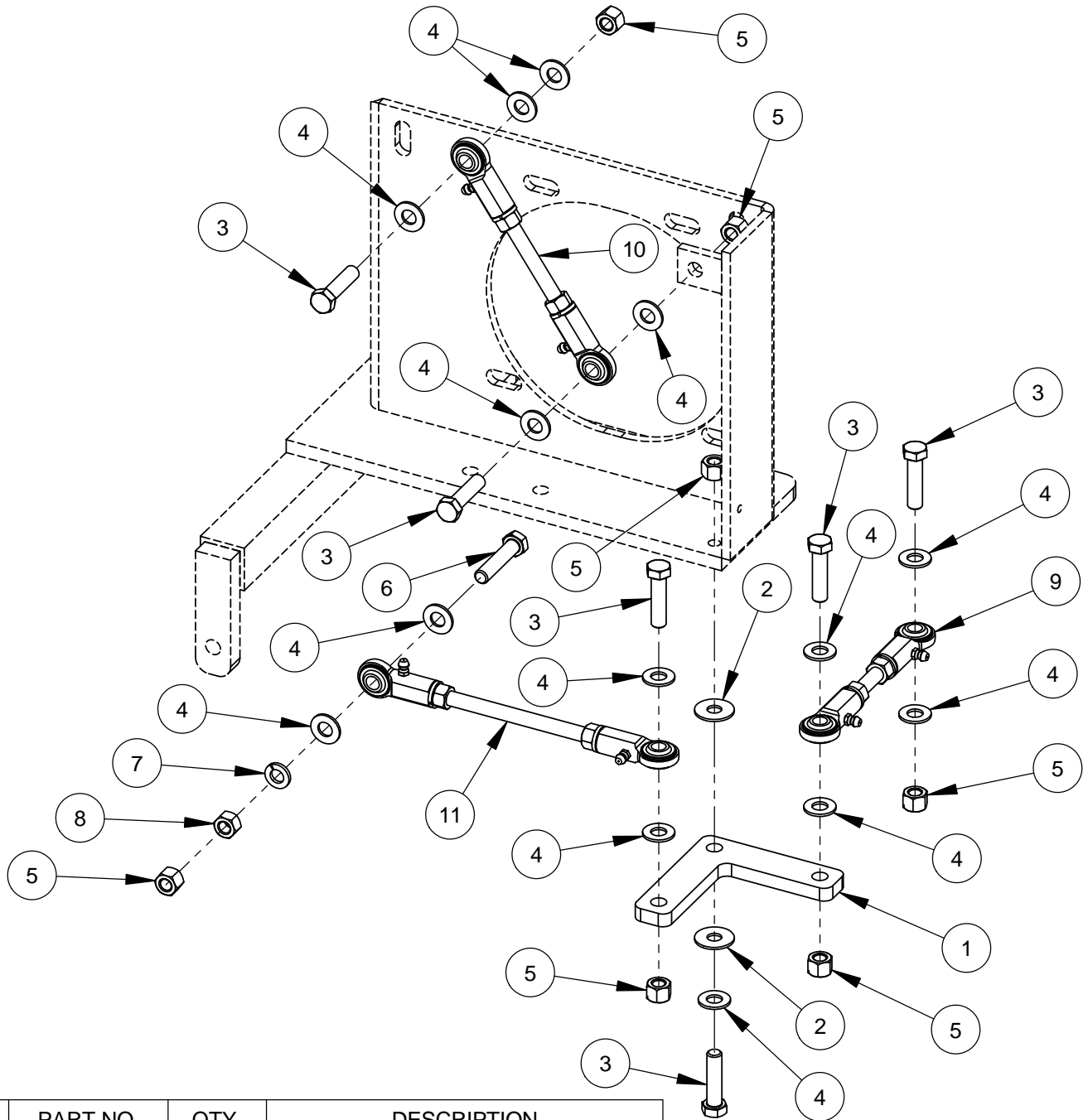
ITEM	PART NO.	QTY.	DESCRIPTION
1	6010068	1	Transmission Platform Weldment
2	6010027	1	Mount Foot, Right Hand
3	6010028	1	Mount Foot, Adjustable
4	2500159	2	Pillow Block Bearing, 3/4"
5	2900005	4	Cap Screw, Hex Hd., 3/8-16 x 1"
6	2900006	4	Lock Washer, 3/8" Split
7	6010664	1	Transmission Jackshaft 18T
8	6048229	1	Key, 3/16" Sq. x 1-1/4"
9	2500148	1	Sprocket, #40 x 45 Tooth
10	2500149	1	QD Bushing, SDS x 3/4" w/Fasteners
11	6010069	1	Chain, #40 x 56 Pitch
12	6010671	1	Chain Guard
13	2900009	9	Flat Washer, 1/4" SAE
14	2900024	5	Lock Washer, 1/4" Split
15	2900023	5	Cap Screw, Hex Hd., 1/4-20 x 5/8"
16	6010679	1	Gear Guard
17	6010674	1	Sprocket Guard
18	2900668	2	Cap Screw, Hex Hd., 5/16-18 x 7/8"
19	2900022	2	Flat Washer, 5/16" SAE
20	2900039	2	Lock Nut, 5/16-18 Nylon
21	2900140	1	Set Screw, Sq. Hd., 5/16-18 x 1-1/2"
22	2900141	1	Hex Nut, 5/16-18
23	2900106	2	Cap Screw, Hex Hd., 1/2-13 x 2"
24	2900058	8	Flat Washer, 1/2" SAE
25	2900026	3	Lock Nut, 1/2-13 Nylon
26	2900542	1	Tap Bolt, Hex Hd., 1/2-13 x 3-1/2"
27	6010673	1	Fan Guard
28	6010735	1	Spacer, Fan Guard
29	2900052	2	Cap Screw, Hex Hd., 1/4-20 x 1-1/4"
30	2900010	2	Lock Nut, 1/4-20 Nylon
31	6011678	1	Eaton 11 Transmission Assembly
32	6010725	1	Linkage Assembly

Eaton Transmission Assembly #6011678



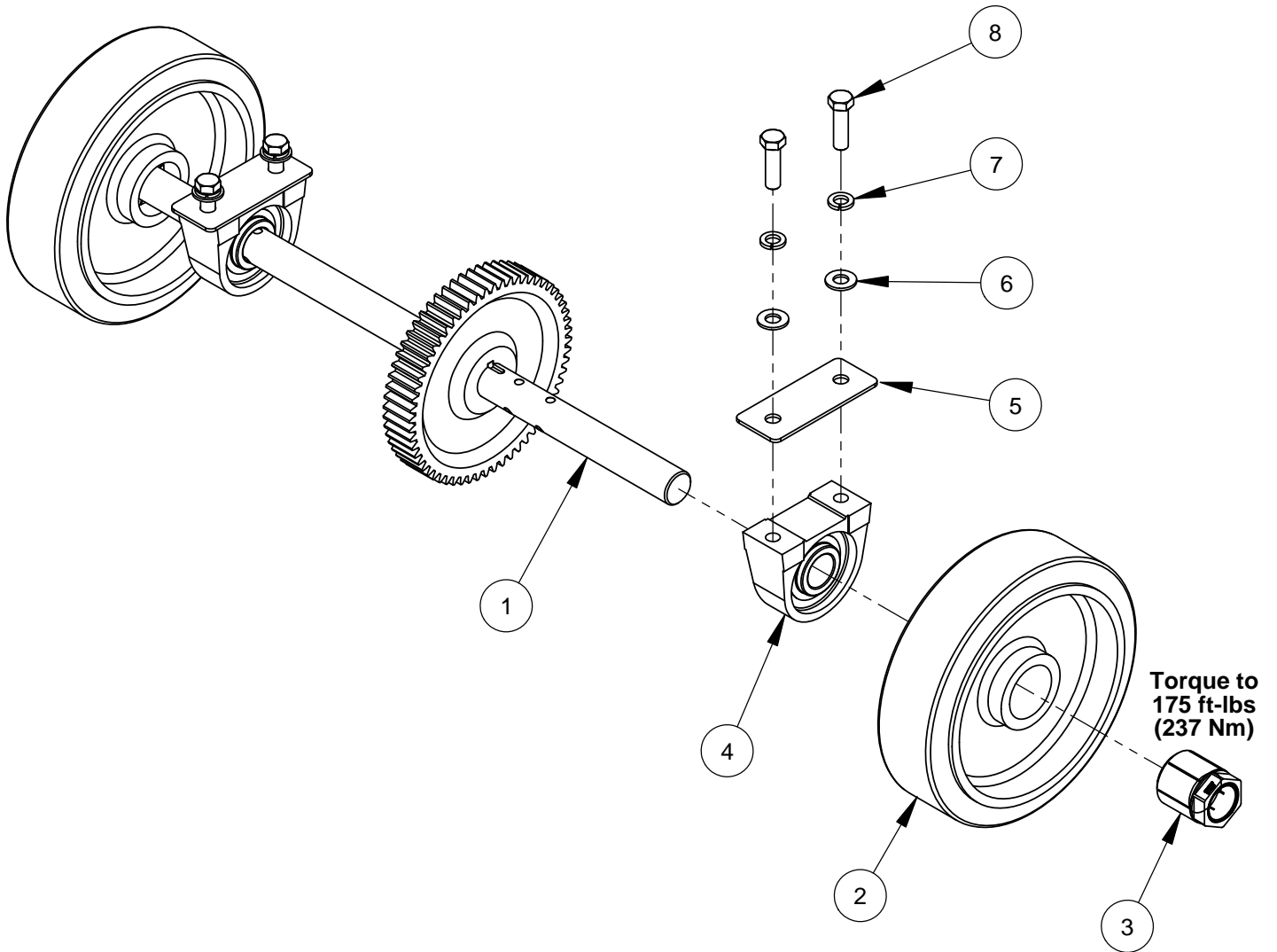
ITEM	PART NO.	QTY.	DESCRIPTION
1	2600720	1	Eaton Model 11 Transmission
2	3200271	2	Elbow, 3/8" O-Ring to 3/8" M. JIC
3	3200287	1	Adapter, 5/8" O-Ring to 1/2" M. JIC
4	3200304	1	Elbow, 1/2" M. JIC to 1/2" F. JIC
5	3201878	1	Tee, 1/2" M. JIC to 5/8" O-Ring
6	3200116	1	Elbow, 1/4" O-Ring to 3/8" M. JIC
7	6012250	1	Hose Assembly 3/8" x 10"
8	6012251	1	Hose Assembly 1/2" x 16"
9	6012252	1	Hose Assembly 3/8" x 26"
10	2900143	1	Woodruff Key #61, 3/16" x 5/8"
11	2900063	1	Woodruff Key #405, 1/8" x 5/8"
12	2500150	1	Sprocket, #40 x 11 Tooth w/Setscrews
13	2900083	1	Fender Washer, 1/4" x 1-1/4"
14	2900024	1	Lock Washer, 1/4" Split
15	2900082	1	Cap Screw, Hex Hd., 1/4-20 x 1/2"
16	6010064	1	Shift Lever
17	2900058	1	Flat Washer, 1/2" SAE
18	2900026	1	Lock Nut, 1/2-13 Nylon
19	6010682	1	Transmission Pulley 5.5"
20	2500519	1	Cooling Fan, 7"
21	2900038	4	Lock Washer, #10 Split
22	2900448	4	Machine Screw, Hex Hd., #10-32 x 1/2"
23	2900567	1	Flat Washer, 5/16" USS
24	2900031	1	Lock Washer, 5/16" Split
25	2900019	1	Cap Screw, Hex Hd., 5/16-18 x 3/4"
26	2900035	4	Cap Screw, Hex Hd., 3/8-16 x 3"
27	2900473	4	Flat Washer, 3/8" USS
28	2900018	4	Locknut, 3/8-16, Nylon

Linkage Assembly #6010725



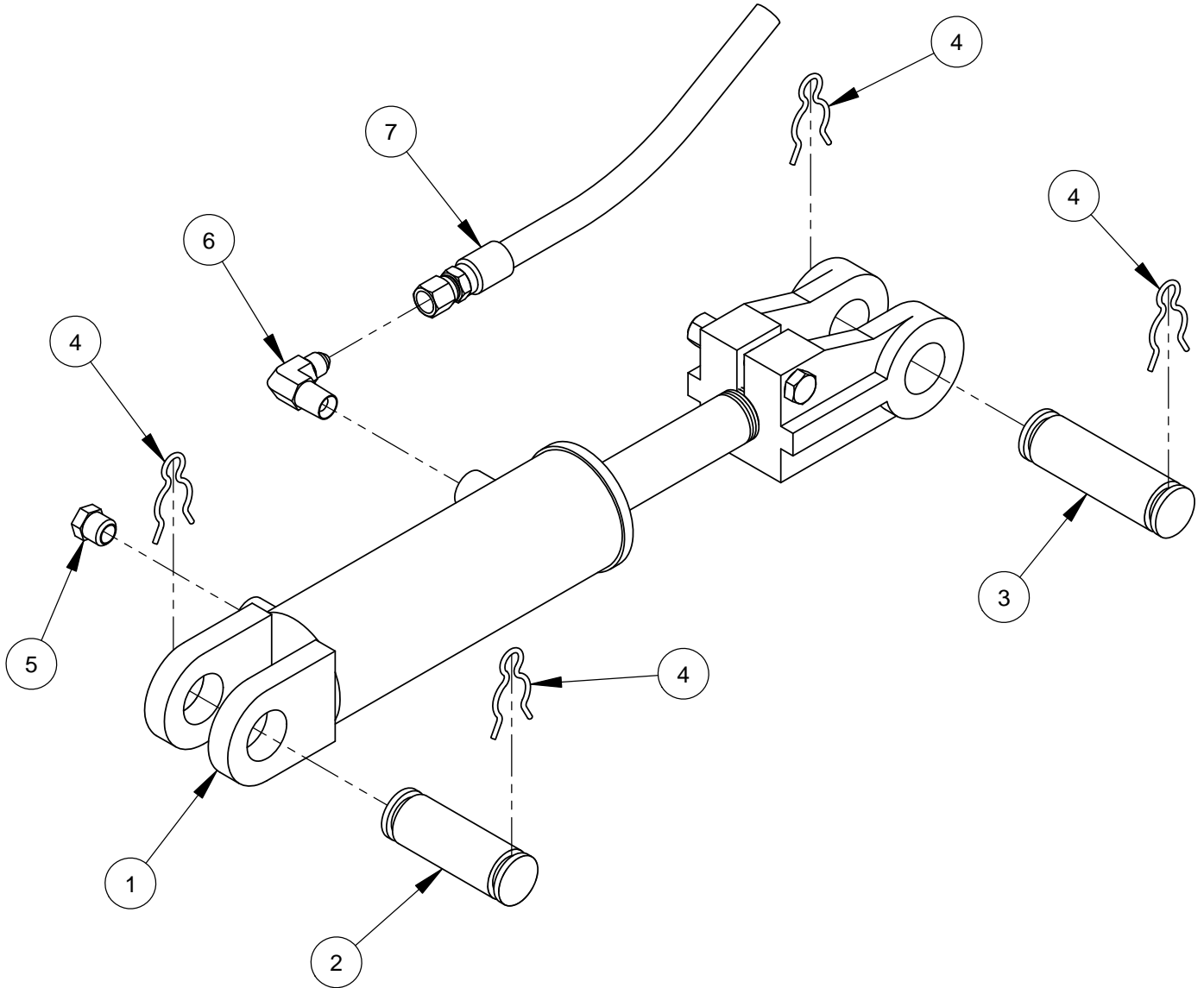
ITEM	PART NO.	QTY.	DESCRIPTION
1	6010067	1	Bell Crank
2	2900153	2	Friction Washer, 3/8"
3	2900029	6	Cap Screw, Hex Hd., 3/8-16 x 1-1/2"
4	2900014	14	Flat Washer, 3/8" SAE
5	2900018	7	Lock Nut, 3/8-16 Nylon
6	2900047	1	Cap Screw, Hex Hd., 3/8-16 x 1-3/4"
7	2900006	1	Lock Washer, 3/8" Split
8	2900033	1	Hex Nut, 3/8-16
9	6010704	1	Linkage Assembly 5-1/8"
10	6010705	1	Linkage Assembly 6-1/4"
11	6010706	1	Linkage Assembly 8"

Rear Axle Assembly #6010743



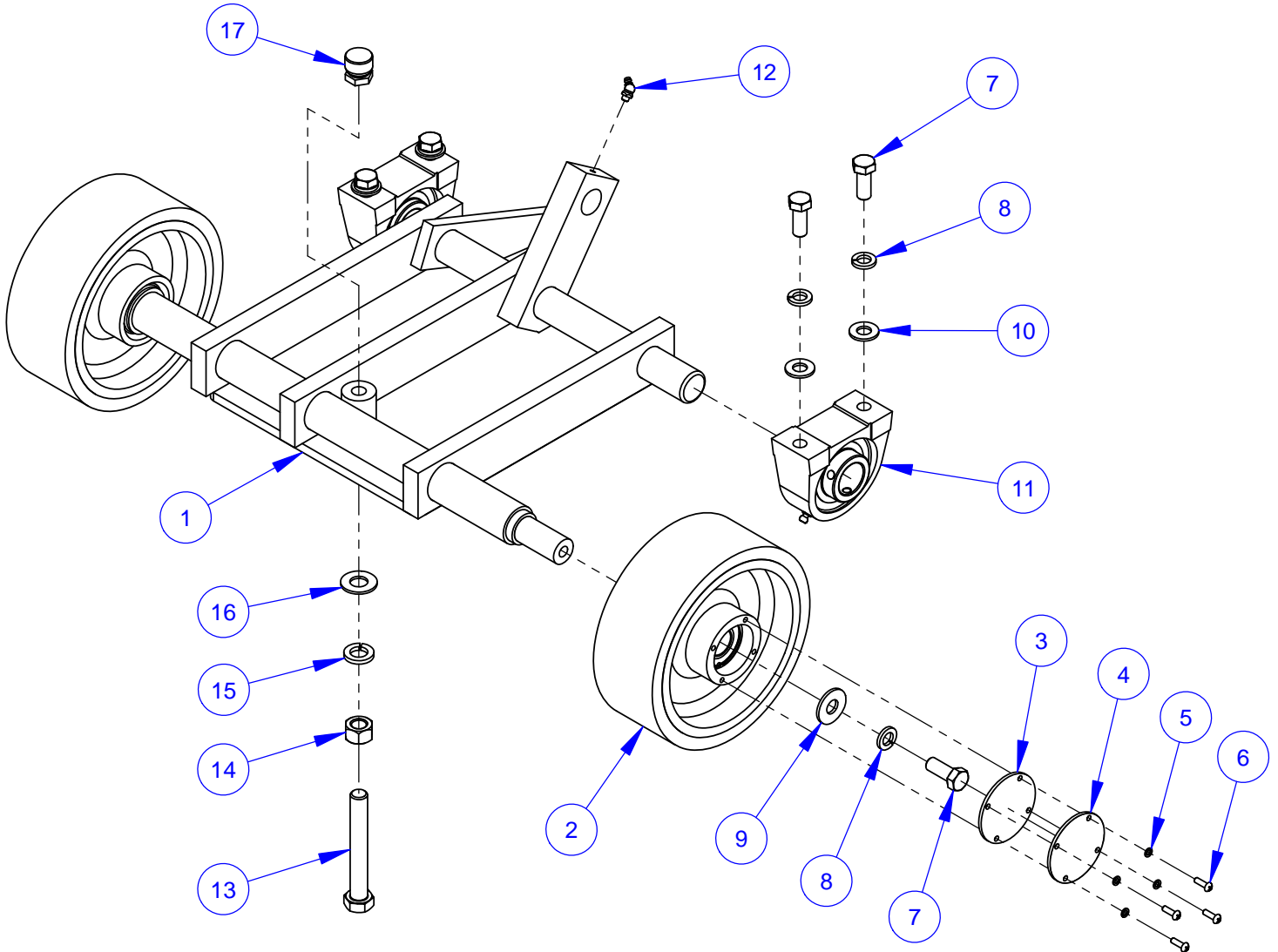
ITEM	PART NO.	QTY.	DESCRIPTION
1	6010686	1	Rear Axle Weldment w/60 Tooth Gear
2	2500873	2	Wheel, 10" Rear with 2" Bore
3	2500874	2	Trantorque Bushing, 1-1/4"
4	2500158	2	Pillow Block Bearing 1-1/4"
5	6010024	2	Rear Axle Bearing Spacer, 1/8"
6	2900058	4	Flat Washer, 1/2" SAE
7	2900084	4	Lock Washer, 1/2" Split
8	2900139	4	Cap Screw, Hex Hd., 1/2-13 x 1-3/4"

Hydraulic Cylinder Assembly #6010714



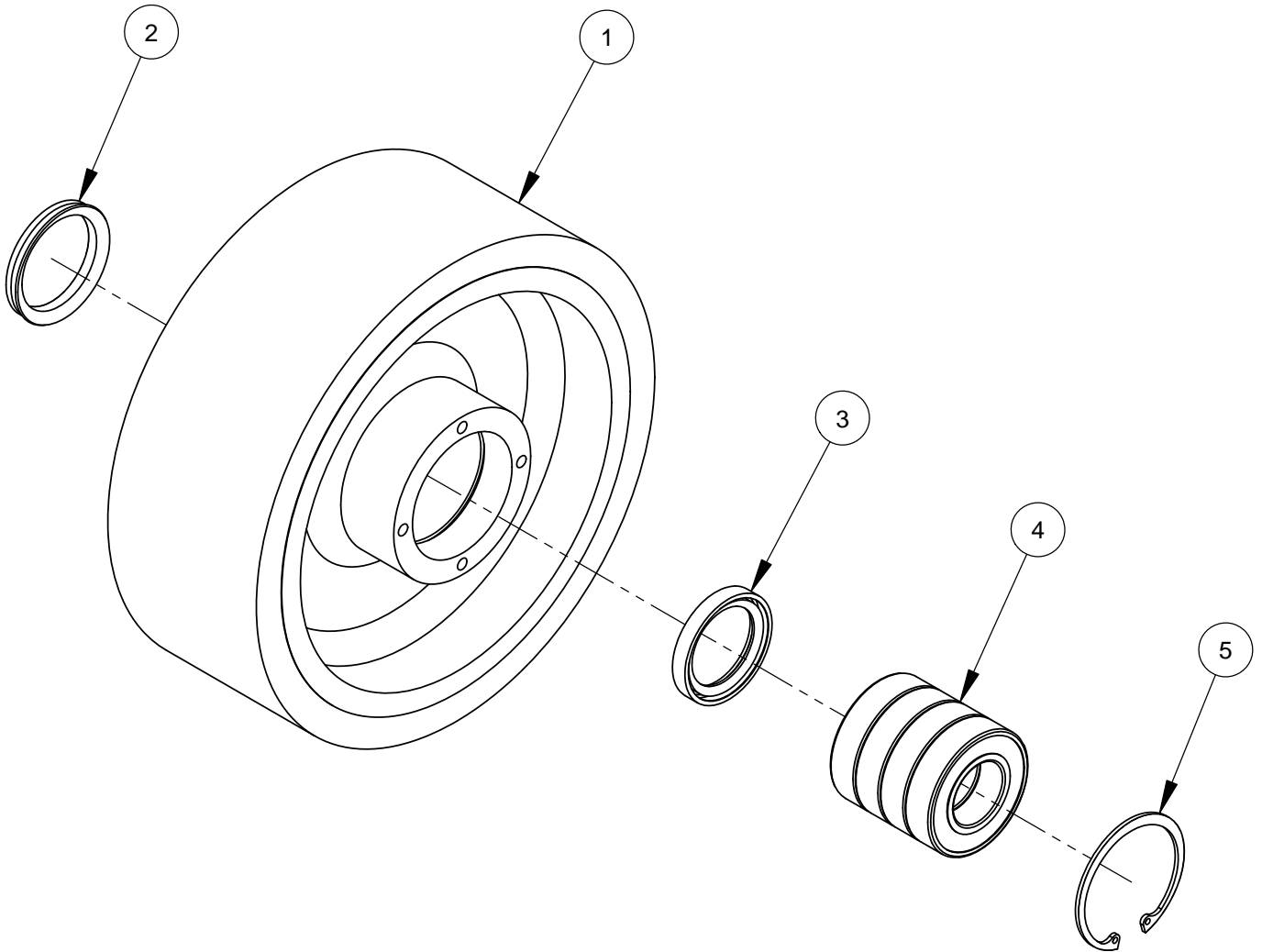
ITEM	PART NO.	QTY.	DESCRIPTION
1	2500177	1	Hydraulic Cylinder
2	6010031	1	Cylinder Pin, 1" Dia. x 3" Long
3	6010119	1	Cylinder Pin, 1" Dia. x 3-1/2" Long
4	2900064	4	Hair Pin Cotter, 3/4"
5	3200067	1	Breather Vent, 1/4" NPT
6	3200057	1	Elbow, 1/4" M. Pipe to 1/4" M. JIC
7	3200054	1	Hose Assembly, 32" Long

Front Axle Assembly #6010746



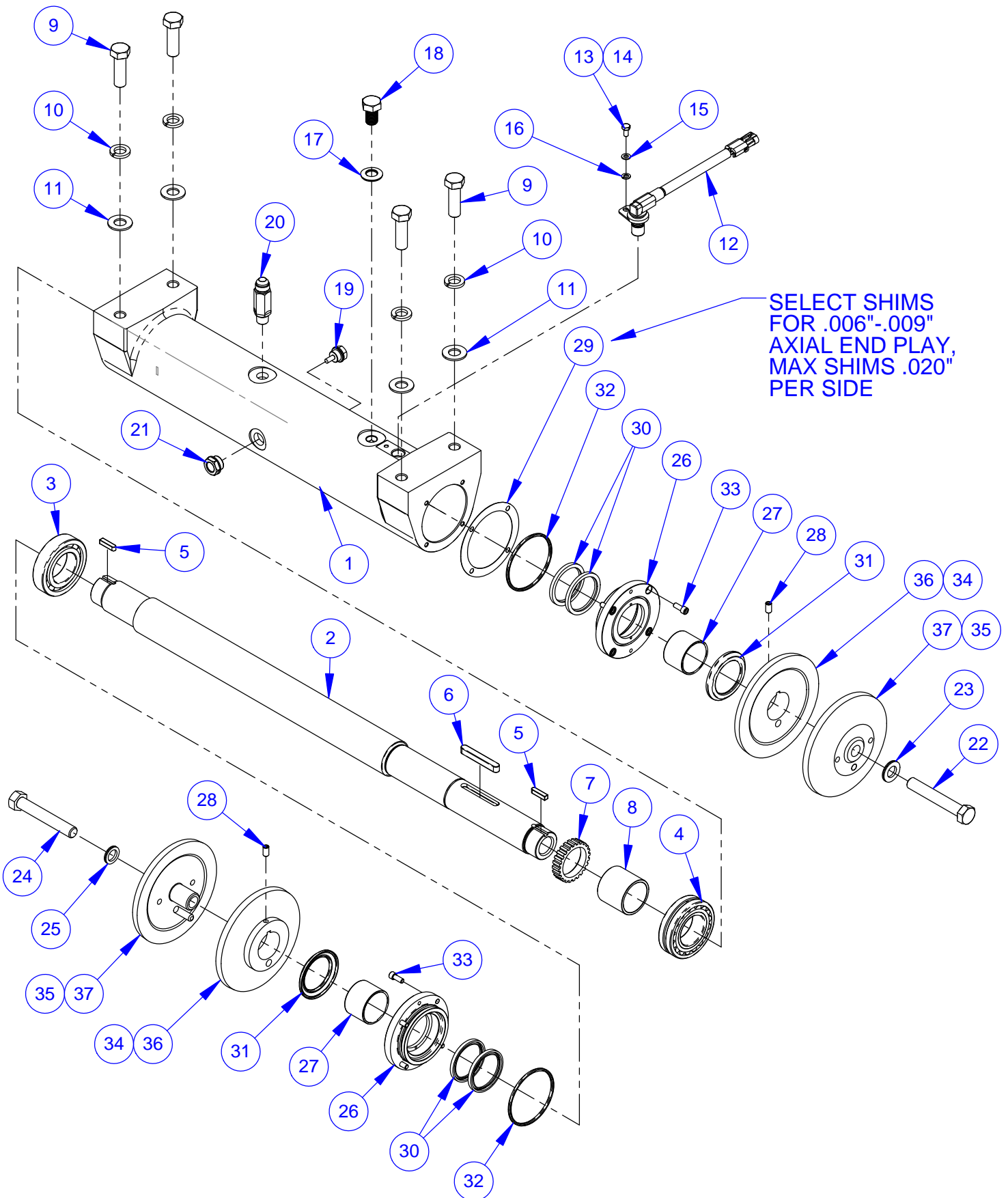
ITEM	PART NO.	QTY.	DESCRIPTION
1	6010747	1	Front Axle Weldment
2	6010581	2	Wheel Assembly, 8" Front
3	2501393	2	Wheel Cover Gasket
4	6010536	2	Wheel Cover
5	2900038	8	Lock Washer, #10 Split
6	2900159	8	Machine Screw, Rd. Hd., #10-24 x 5/8"
7	2900025	6	Cap Screw, Hex Hd., 1/2-13 x 1-1/4"
8	2900084	6	Lock Washer, 1/2" Split
9	2900127	2	Flat Washer, 1/2" USS
10	2900058	4	Flat Washer, 1/2" SAE
11	2500158	2	Pillow Block Bearing 1-1/4"
12	2900184	1	Grease Fitting, 1/4" NPT x 45 degree
13	2900514	1	Tap Bolt, Hex Hd., 5/8-11 x 4-1/2"
14	2900112	1	Hex Nut, 5/8-11
15	2900113	1	Lock Washer, 5/8" Split
16	2900002	1	Flat Washer, 5/8" SAE
17	2900446	1	Swivel Pad Nut, 5/8-11

Front Wheel Assembly #6010581



ITEM	PART NO.	QTY.	DESCRIPTION
1	2501390	1	Wheel, 8" Front
2	2501428	1	Seal, 1-1/2" V-Ring
3	2501391	1	Seal, 1-1/4" x 1-3/4" x 1/4"
4	2501418	4	Ball Bearing, 1" x 2" x 1/2"
5	2501392	1	Retaining Ring, 2" Internal

Blade Shaft Assembly #6019192



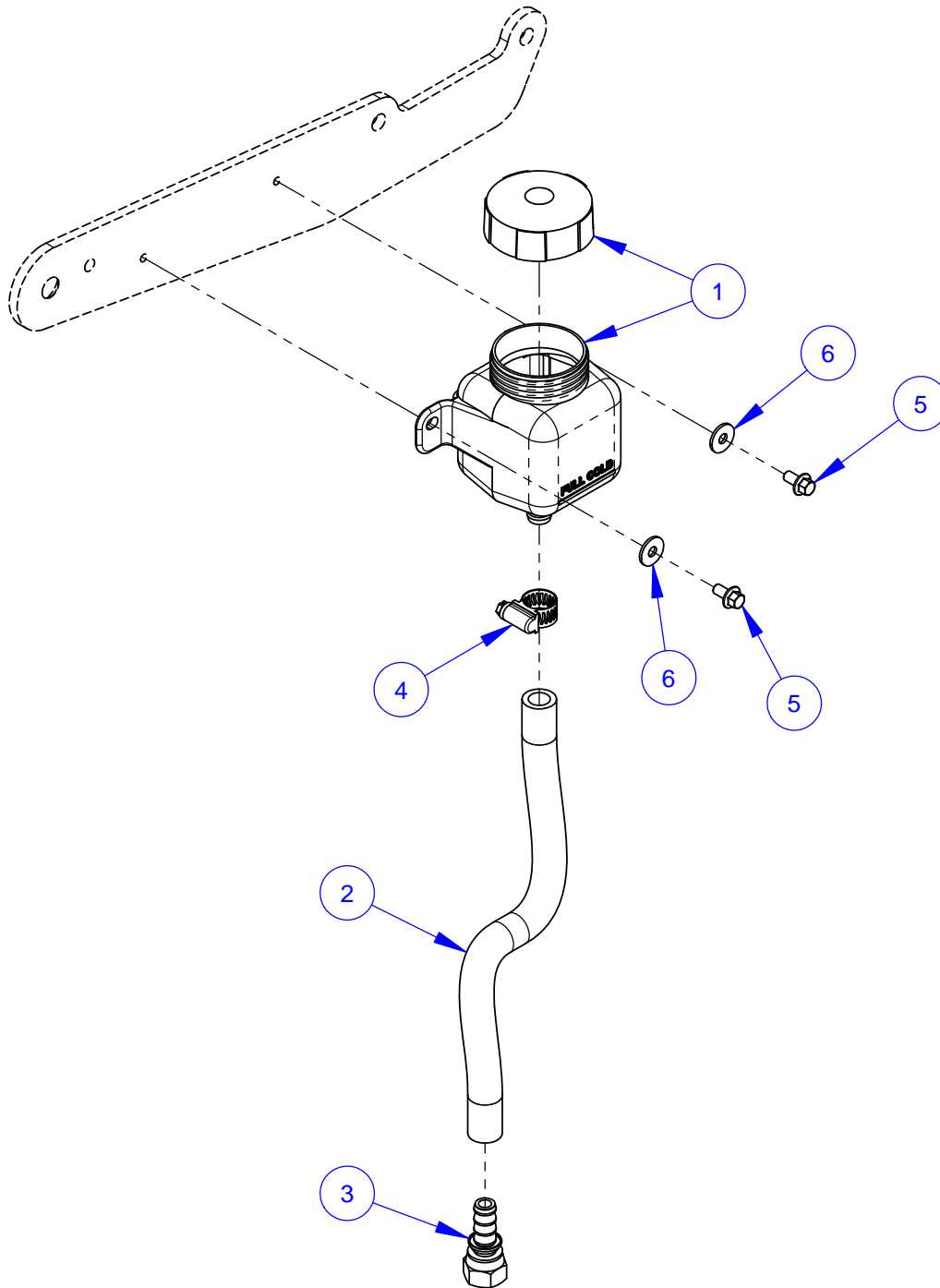
Blade Shaft Assembly #6019192

#6019192A for 14" - 26" Blades

#6019192C for 30" - 42" Blades

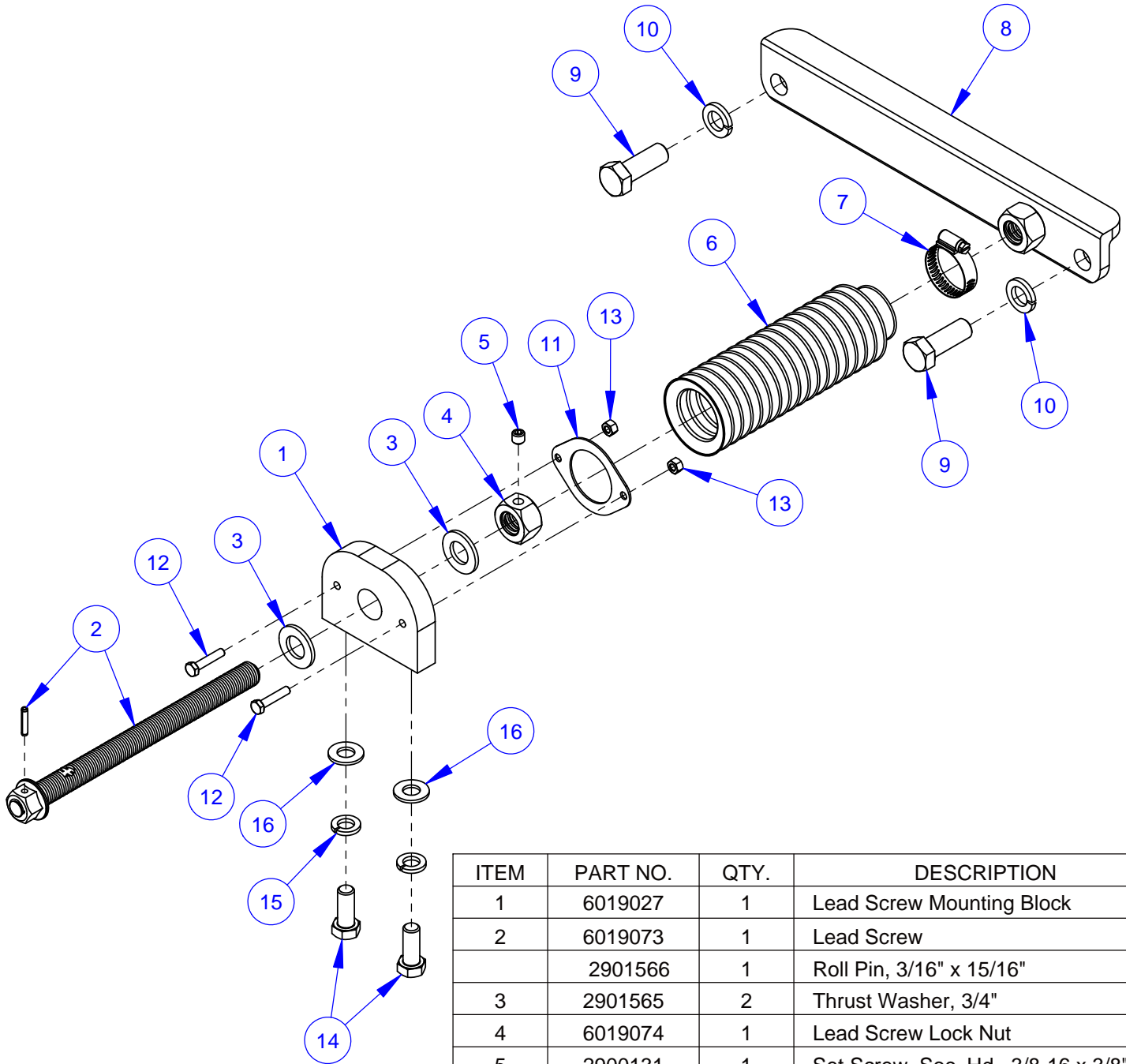
ITEM	PART NO.	6019192A/ QTY.	6019192C/ QTY.	DESCRIPTION
1	6011660	1	1	Blade Shaft Housing
2	6011662	1	1	Blade Shaft
3	2502197	1	1	Ball Bearing, 45mm x 85mm x 19mm
4	2504847	1	1	Spherical Roller Bearing 22209 - C3
5	6011677	2	2	Key, 1/4" Sq. x 1.06
6	6011665	1	1	Key, 3/8" sq X 2.75"
7	6011666	1	1	24 Tooth Sensor Wheel
8	6011664	1	1	Spacer, 45mm X 1.839
9	2900136	4	4	Cap Screw, Hex Hd., 5/8-11 x 2"
10	2900113	4	4	Lock Washer, 5/8" Split
11	2900002	4	4	Flat Washer, 5/8" SAE
12	2801657	1	1	Sensor Assembly
13	2900544	1	1	Cap Screw, Hex Hd., M6-1.0 x 12mm
14	2100180	1	1	Loctite 577 thread sealant
15	2901494	1	1	Flat Washer, M6
16	2900765	1	1	Lock Washer, M6 Split
17	2900805	1	1	Sealing Washer, 5/8"
18	2902129	1	1	Cap Screw, Hex Hd., 5/8-18 x 1"
19	2502037	1	1	Magnetic Oil Drain Plug
20	3202093	1	1	Adapter, 3/8" M. Pipe to 1/2" M. JIC Long
21	2503872	1	1	Sight Glass, Oil Level
22	2900146	1	1	Cap Screw, Hex Hd., 5/8-11 x 4"
23	2900412	1	1	Wedge Lock Washer Pair, 5/8"
24	2900130	1	1	Cap Screw, Hex Hd., 5/8-11 x 4" LH
25	2901569	1	1	Wedge Lock Washer Pair, 5/8" LH
26	6011654	2	2	Blade Shaft End Cap
27	2504836	2	2	Seal Sleeve
28	2900418	2	2	Set Screw, Soc. Hd., 5/16-18 x 5/8"
29	6011656	1	1	Shim Pack
30	2504749	4	4	Seal 50X62X5
31	2504835	2	2	Axial Face Seal
32	2504978	2	2	Quad Ring -234
33	2901173	8	8	Cap Screw, Soc. Hd., 1/4-20 x 5/8"
34	6010036	2	-	Inner Flange 4-1/2"
35	6010037	2	-	Outer Flange 4-1/2" with Pin
36	6010038	-	2	Inner Flange 6"
37	6010039	-	2	Outer Flange 6" with Pin

Expansion Tank Assembly #6019324



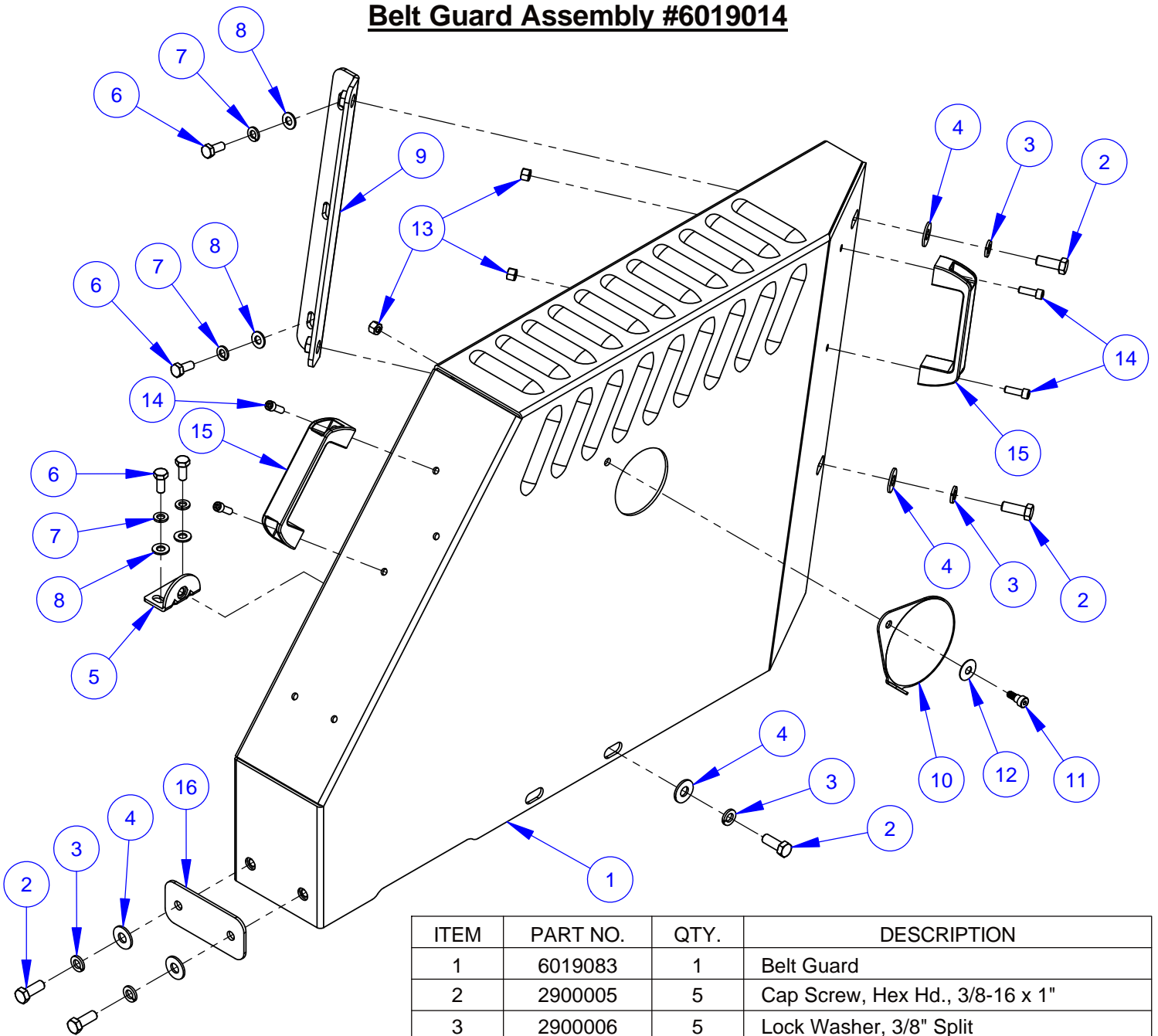
ITEM	PART NO.	QTY.	DESCRIPTION
1	2502039	1	Expansion Tank & Cap
2	6017347	1	Hose, 1/2" I.D. x 15"
3	3200181	1	Fitting, 1/2" F. JIC to 1/2" Pushlok
4	3200016	1	Hose Clamp #8
5	2901370	2	Cap Screw, Hex Flange, M6-1.0 x 12mm
6	2901359	2	Fender Washer, M6

Belt Tensioner Assembly #6019011



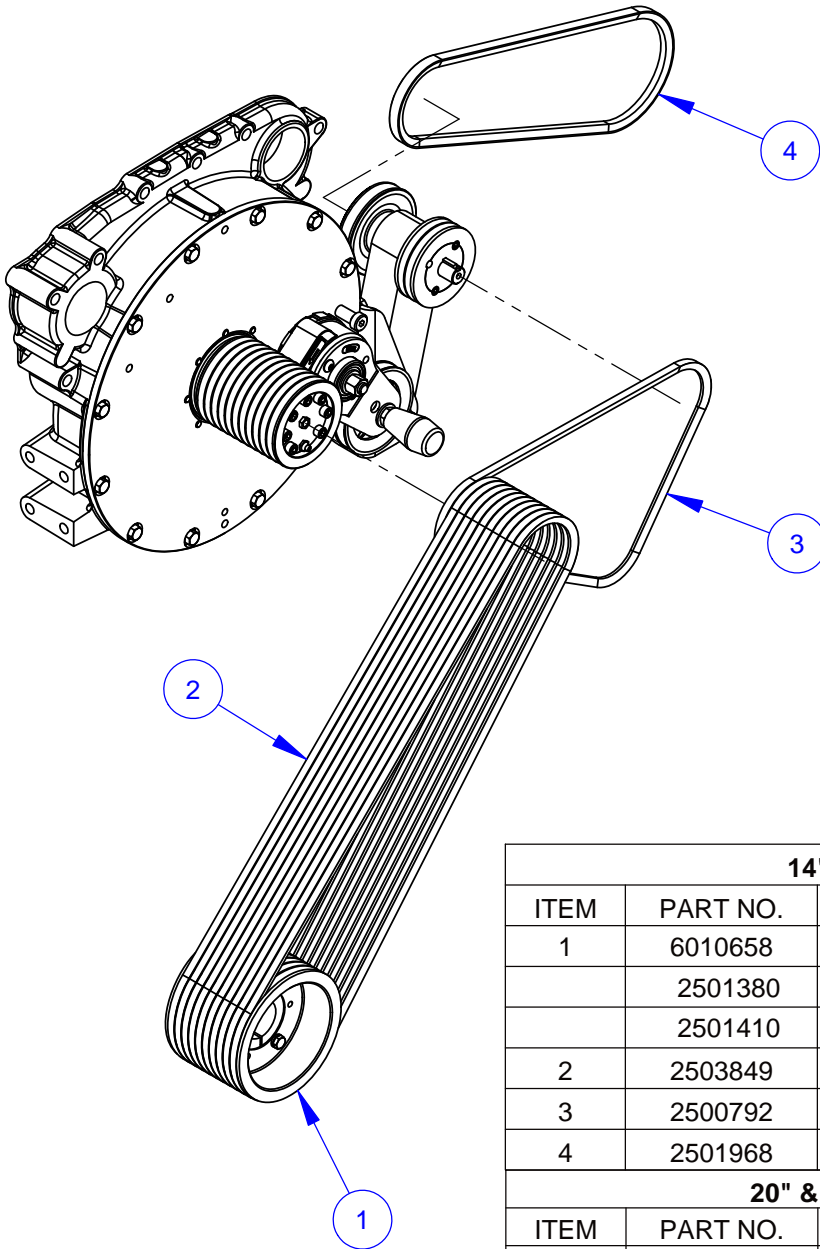
ITEM	PART NO.	QTY.	DESCRIPTION
1	6019027	1	Lead Screw Mounting Block
2	6019073	1	Lead Screw
	2901566	1	Roll Pin, 3/16" x 15/16"
3	2901565	2	Thrust Washer, 3/4"
4	6019074	1	Lead Screw Lock Nut
5	2900131	1	Set Screw, Soc. Hd., 3/8-16 x 3/8"
6	6048036	1	Bellows
7	3202142	1	Hose Clamp #24
8	6019026	1	Lead Screw Adjustment Bar
9	2900147	2	Cap Screw, Hex Hd., 5/8-11 x 1-3/4"
10	2900113	2	Lock Washer, 5/8" Split
11	6019028	1	Bellows Mount Flange
12	2900342	2	Cap Screw, Hex Hd., M6-1.0 x 30mm
13	2900302	2	Lock Nut, M6-1.0 Nylon Insert
14	2900025	2	Cap Screw, Hex Hd., 1/2-13 x 1-1/4"
15	2900084	2	Lock Washer, 1/2" Split
16	2900058	2	Flat Washer, 1/2" SAE

Belt Guard Assembly #6019014



ITEM	PART NO.	QTY.	DESCRIPTION
1	6019083	1	Belt Guard
2	2900005	5	Cap Screw, Hex Hd., 3/8-16 x 1"
3	2900006	5	Lock Washer, 3/8" Split
4	2900473	5	Flat Washer, 3/8" USS
5	6010558	1	Guard Mounting Tab, 3/8-16
6	2900019	4	Cap Screw, Hex Hd., 5/16-18 x 3/4"
7	2900031	4	Lock Washer, 5/16" Split
8	2900022	4	Flat Washer, 5/16" SAE
9	6010556	1	Belt Guard Mount Bracket
10	6010768	1	Swing Cover Plate with Label
11	2900246	1	Shoulder Screw, 5/16" x 1/4" (1/4-20)
12	2900252	1	Belleville Washer, 5/16"
13	2900010	5	Lock Nut, 1/4-20 Nylon
14	2900247	4	Cap Screw, Soc. Hd., 1/4-20 x 3/4"
15	2400145	2	Handle
16	6019147	1	Belt Guard Shim

Belt Drive Assembly #6019013



14" BLADE DRIVE #6019013A

ITEM	PART NO.	QTY.	DESCRIPTION
1	6010658	1	Sheave, 4" x 10 Groove w/Bushing
	2501380	1	Sheave, 4" x 10 Groove Taper Style
	2501410	1	Taper Bushing, 1-3/4" w/Setscrews
2	2503849	10	V-Belt, 3VX570
3	2500792	1	V-Belt, 3VX400
4	2501968	1	V-Belt, AX36

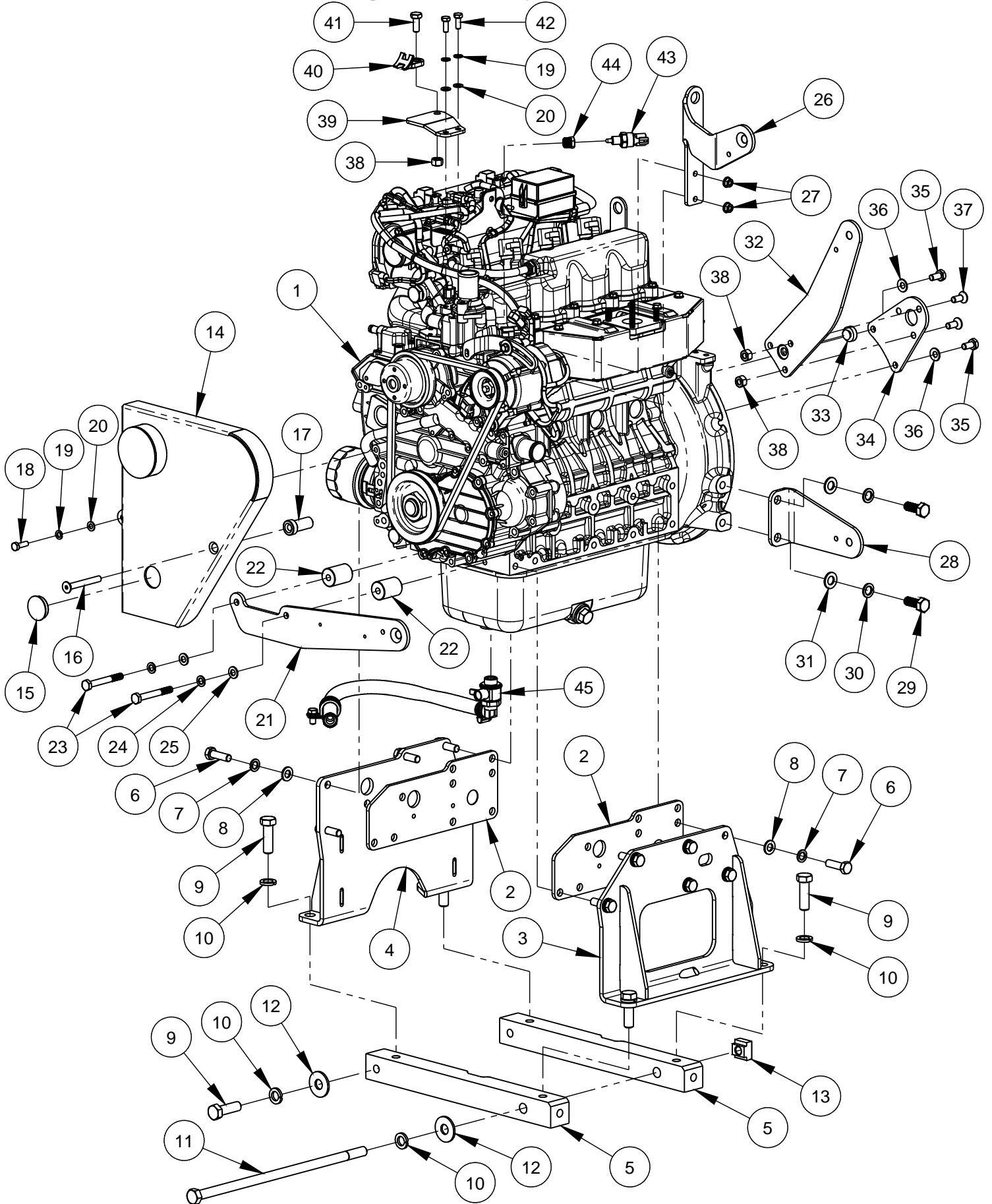
20" & 26" BLADE DRIVE #6019013B

ITEM	PART NO.	QTY.	DESCRIPTION
1	6010545	1	Sheave, 4.5" x 10 Groove w/Bushing
	2501381	1	Sheave, 4.5" x 10 Groove Taper Style
	2501410	1	Taper Bushing, 1-3/4" w/Setscrews
2	2503683	10	V-Belt, 3VX580
3	2500792	1	V-Belt, 3VX400
4	2501968	1	V-Belt, AX36

30" TO 42" BLADE DRIVE #6019013C

ITEM	PART NO.	QTY.	DESCRIPTION
1	6013046	1	Sheave, 6" x 10 Groove w/Bushing
	2500439	1	Sheave, 6" x 10 Groove QD Style
	2500176	1	QD Bushing, SK x 1-3/4" w/Fasteners
2	2503684	10	V-Belt, 3VX600
3	2500792	1	V-Belt, 3VX400
4	2501968	1	V-Belt, AX36

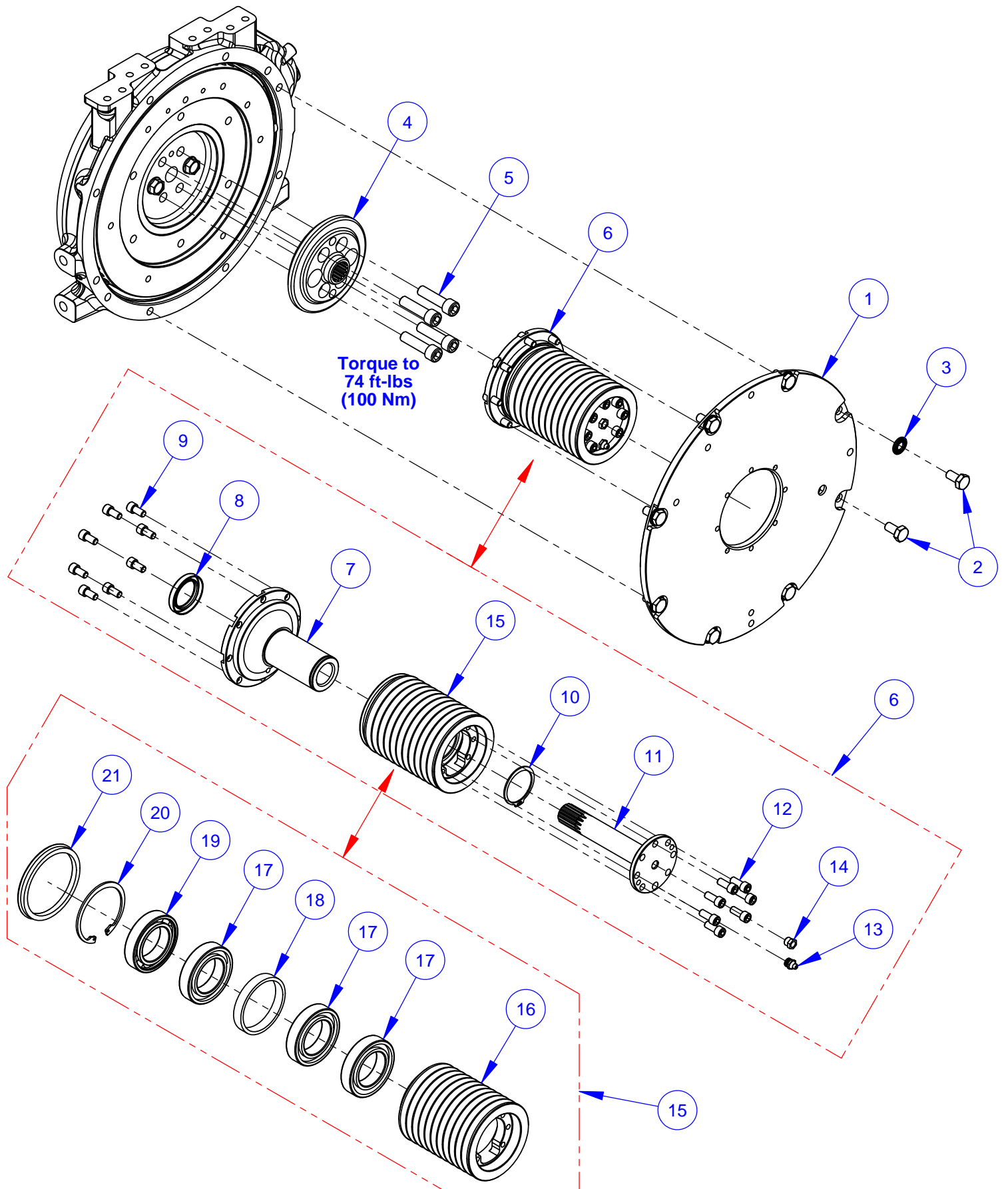
Engine Assembly #6019300



Engine Assembly #6019300

ITEM	PART NO.	QTY.	DESCRIPTION
1	2600799	1	Engine, Kubota Model WG2503
2	6019330	2	Engine Block Spacer Plate
3	6019331	1	Engine Support, Front
4	6019332	1	Engine Support, Rear
5	6019025	2	Engine Rail
6	2901598	12	Cap Screw, Hex Hd., M12-1.25 x 40mm
7	2900699	12	Lock Washer, M12 Split
8	2901357	12	Flat Washer, M12
9	2900136	5	Cap Screw, Hex Hd., 5/8-11 x 2"
10	2900113	6	Lock Washer, 5/8" Split
11	2901562	1	Bolt, Hex Head, 5/8-11 x 16"
12	2900721	2	Flat Washer, 5/8" USS Hardened
13	2901563	1	T-Nut, 5/8-11
14	6019342	1	Belt Guard, Engine
15	2500554	1	Plug, 1-1/2" Hole
16	2900908	1	Cap Screw, Flat Hd., M10-1.5 x 80mm
17	6019326	1	Guard Post
18	2900360	1	Cap Screw, Hex Hd., M8-1.25 x 25mm
19	2900763	3	Lock Washer, M8 Split
20	2901336	3	Flat Washer, M8
21	6019328	1	Radiator Arm, Lower
22	6019329	2	Arm Spacer
23	2901022	2	Cap Screw, Hex Hd., M10 x 1.25 x 80mm
24	2900321	2	Lock Washer, M10 Split
25	2901356	2	Flat Washer, M10
26	6019354	1	Radiator Arm Lift
27	2902012	2	Hex Flange Nut, M8-1.25
28	6019337	1	Radiator Arm, Lower Brace
29	2900874	2	Cap Screw, Hex Hd., M14-1.5 x 35mm
30	2900875	2	Lock Washer, M14 Split
31	2900326	2	Flat Washer, M14
32	6019252	1	Radiator Arm, Upper Offset
33	2502389	1	Button Bumper
34	6019340	1	Radiator Arm Link
35	2900314	2	Cap Screw, Hex Hd., M10-1.5 x 20mm
36	2900474	2	Belleville Washer
37	2900744	2	Cap Screw, Flat Hd., M10-1.5 x 25mm
38	2900304	3	Lock Nut, M10-1.5 Nylon Insert
39	6019349	1	Hose Support Plate
40	2501753	1	Hose Mount Support
41	2900333	1	Cap Screw, Hex Hd., M10-1.5 x 25mm
42	2900329	2	Cap Screw, Hex Hd., M8-1.25 x 20mm
43	2801290	1	Low Coolant Level Sender
44	3200079	1	Reducer, 3/8" M. to 1/4" F. Pipe
45	6019301	1	Oil Drain Valve Assembly

PTO Assembly #6019302



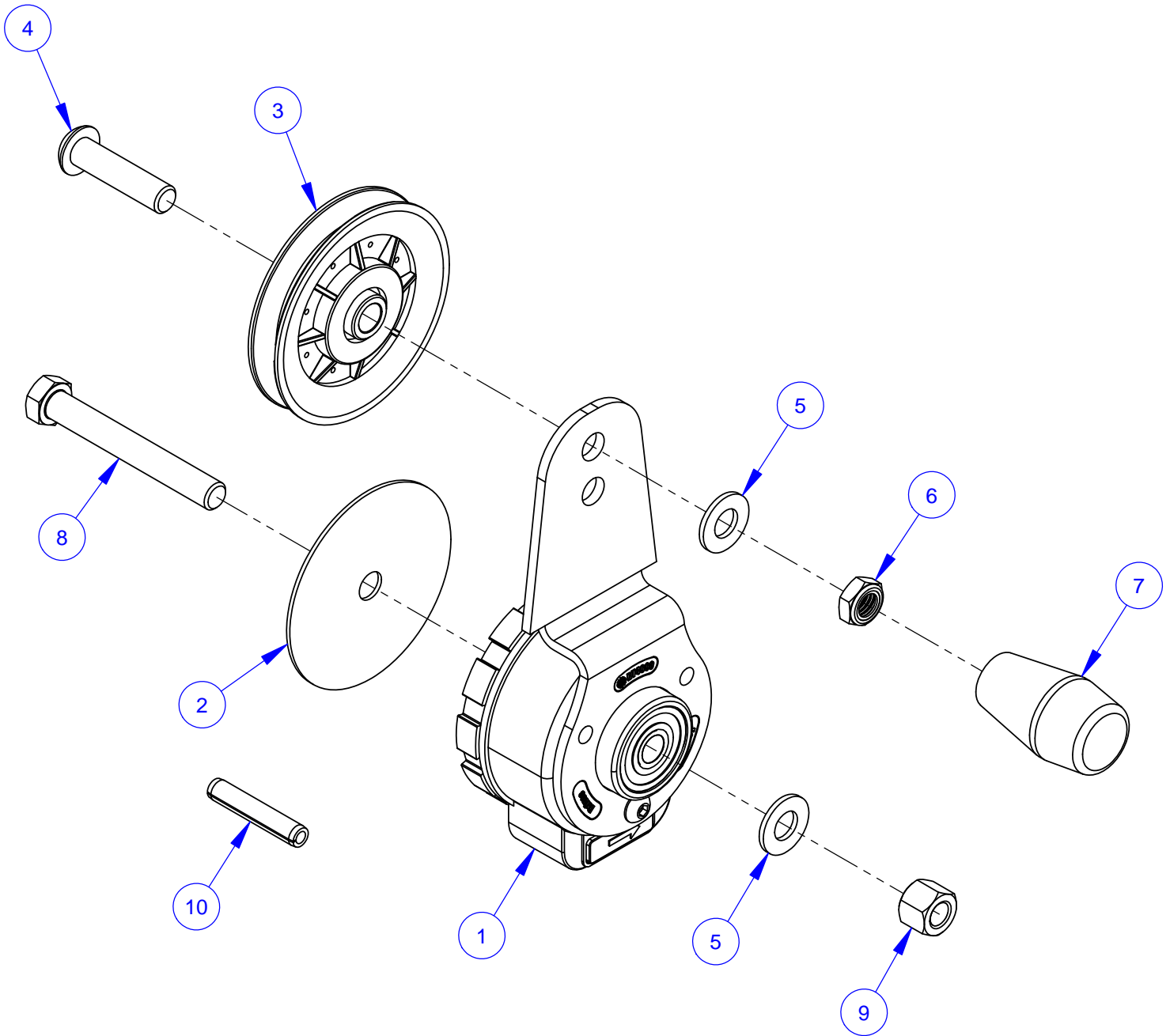
PTO Assembly #6019302

ITEM	PART NO.	QTY.	DESCRIPTION
1	6019350	1	Inner Ring Support
2	2900314	8	Cap Screw, Hex Hd., M10-1.5 x 20mm
3	2900474	7	Belleville Washer
4	6019351	1	Coupling Hub
5	2901799	4	Cap Screw, Soc. Hd., M12-1.25 x 45mm
6	6019019	1	PTO Unit

ITEM	PART NO.	QTY.	DESCRIPTION
7	6019062	1	Shaft Support Sleeve
8	2503666	1	Seal, 1-3/8" x 2" x 5/16"
9	2900898	8	Cap Screw, Soc. Hd., 5/16-18 x 5/8"
10	2503758	1	Retaining Ring, 45mm External
11	6019064	1	Splined Drive Shaft
12	2900912	7	Cap Screw, Soc. Hd., 5/16-18 x 3/4"
13	2900062	1	Grease Fitting, 1/8" NPT
14	3201998	1	Breather Vent, 1/8" NPT
15	6019090	1	Sheave Assembly

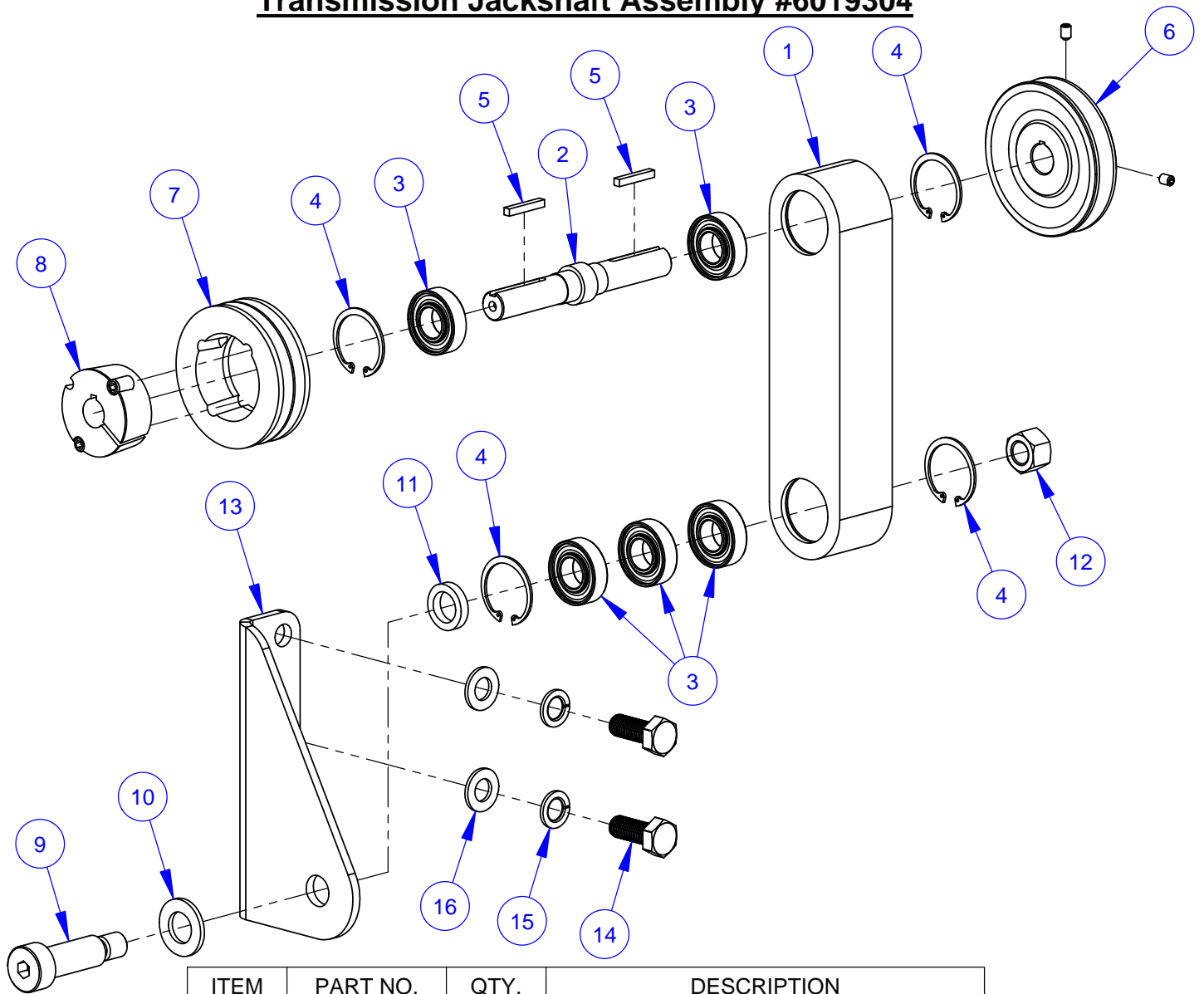
ITEM	PART NO.	QTY.	DESCRIPTION
16	6019063	1	Sheave, 4" x 11 Groove
17	2503760	3	Ball Bearing, 45 x 75 x 16 open
18	6019066	1	Bearing Spacer, 75 x 12
19	2503759	1	Ball Bearing, 45 x 75 x 16 w/seal
20	2503757	1	Retaining Ring, 75mm Internal
21	2503756	1	Seal, 80mm V-Ring

Rotary Tensioner Assembly #6019303



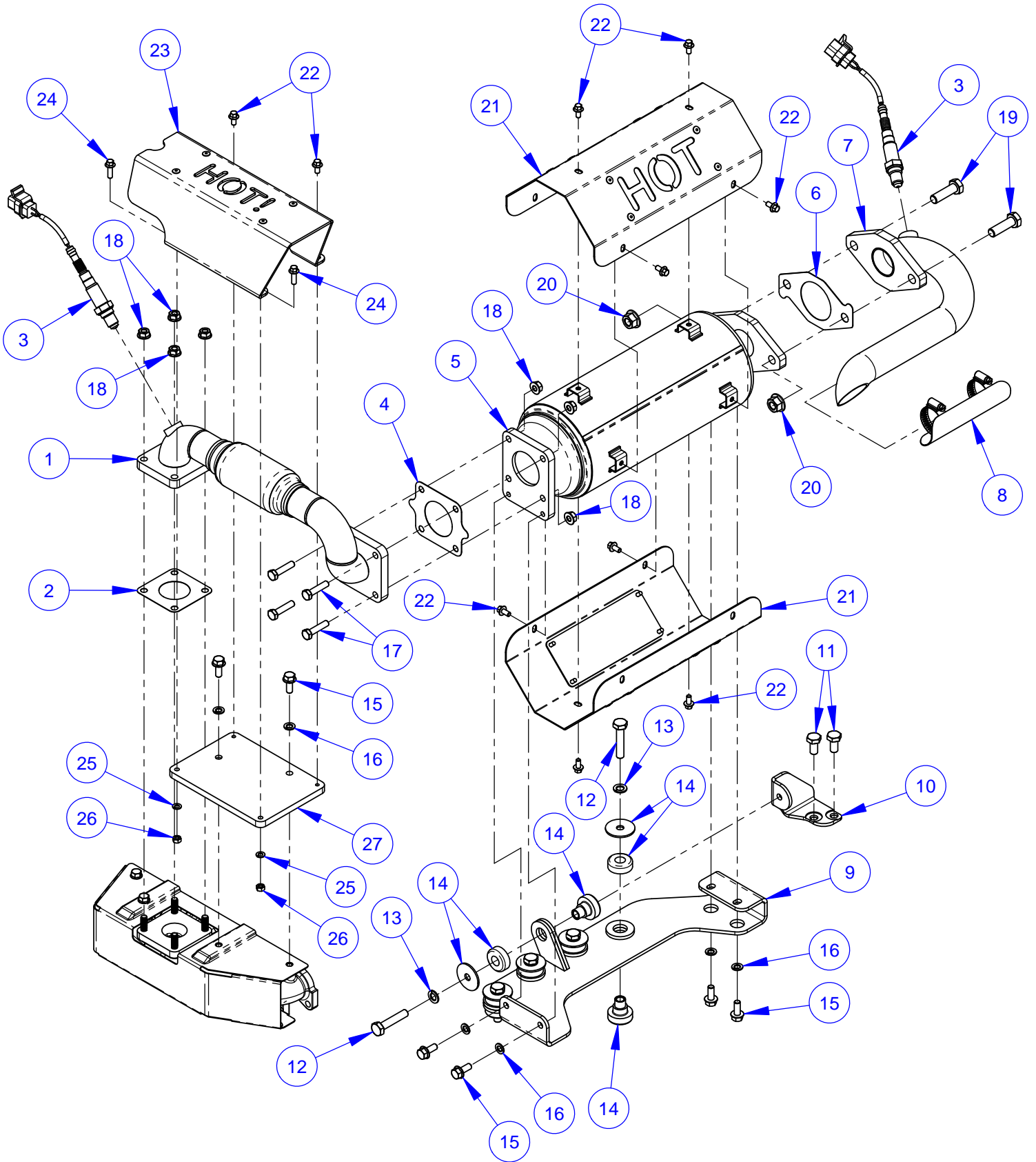
ITEM	PART NO.	QTY.	DESCRIPTION
1	2501750	1	Rotary Tensioner
2	6019067	1	Rotary Tensioner Shim
3	2501751	1	Idler Pulley 4"
4	2900288	1	Cap Screw, Button Hd., 1/2-13 x 2"
5	2900058	2	Flat Washer, 1/2" SAE
6	2900543	1	Jam Lock Nut, 1/2-13
7	2501754	1	Knob, 1/2-13 Tapered
8	2900400	1	Cap Screw, Hex Hd., 1/2-13 x 3-3/4"
9	2900026	1	Lock Nut, 1/2-13 Nylon
10	2901295	1	Roll Pin, 3/8" x 2"

Transmission Jackshaft Assembly #6019304



ITEM	PART NO.	QTY.	DESCRIPTION
1	6010667	1	Jackshaft Pivot Housing
2	6010666	1	Idler Jackshaft
3	2501743	5	Ball Bearing, 20mm x 42mm x 12mm
4	2501748	4	Retaining Ring, 42mm Internal
5	6048229	2	Key, 3/16" Sq. x 1-1/4"
6	2500455	1	Pulley, 4" with Setscrews
7	2504693	1	Sheave, 3.65-2 Groove
8	2501191	1	Taper Bushing, 3/4" w/Setscrews
9	2901372	1	Shoulder Bolt, 20mm x 50mm (M16-2.0)
10	2900003	1	Flat Washer, 3/4" SAE
11	6010685	1	Bearing Spacer, 1/4"
12	2900670	1	Lock Nut, M16-2.0 Nylon Insert
13	6019341	1	Jackshaft Mount
14	2900874	2	Cap Screw, Hex Hd., M14-1.5 x 35mm
15	2900875	2	Lock Washer, M14 Split
16	2900326	2	Flat Washer, M14

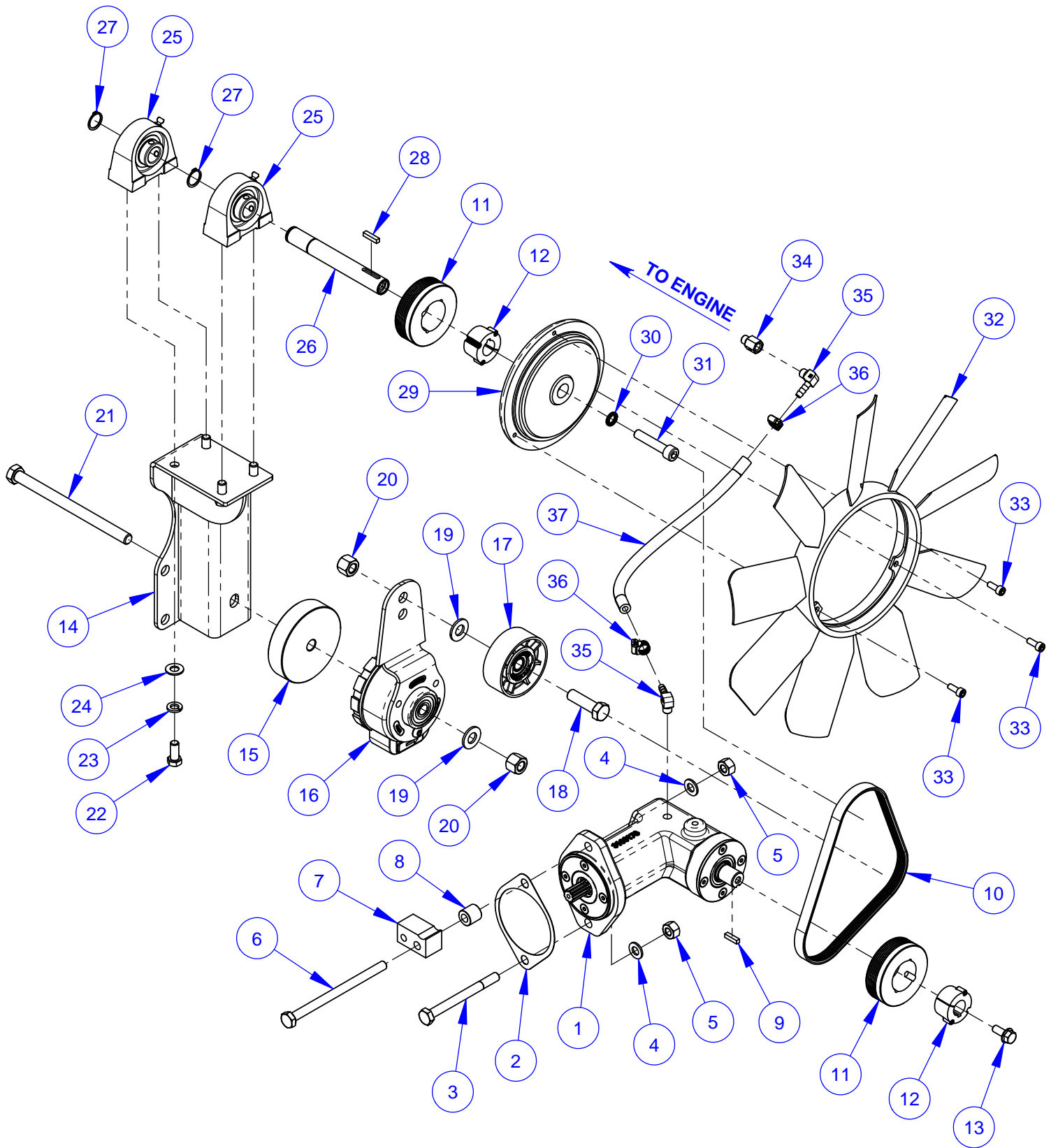
Exhaust System Assembly #6019305



Exhaust System Assembly #6019305

ITEM	PART NO.	QTY.	DESCRIPTION
1	6019375	1	Exhaust Flex Pipe
2	2705219	1	Exhaust Manifold Gasket
3	2705223	2	Oxygen Sensor
4	2705224	1	Catalyst Inlet Gasket
5	2705217	1	Catalytic Muffler
6	2705222	1	Catalyst Outlet Gasket
7	6019376	1	Exhaust Tail Pipe
8	2506066	1	Tail Pipe Shield with Clamps
9	6019377	1	Muffler Platform
10	6019389	1	Isolator Bracket
11	2901021	2	Cap Screw, Hex Hd., M10-1.25 x 20mm
12	2902013	5	Cap Screw, Hex Hd., M10-1.25 x 50mm
13	2900321	5	Lock Washer, M10 Split
14	2505500	5	Vibration Isolator
15	2900634	6	Cap Screw, Hex Flange, M8-1.25 x 20mm
16	2900763	6	Lock Washer, M8 Split
17	2900760	4	Cap Screw, Hex Hd., M8-1.25 x 35mm
18	2902012	8	Hex Flange Nut, M8-1.25
19	2900331	2	Cap Screw, Hex Hd., M12-1.75 x 40mm
20	2901976	2	Hex Flange Nut, M12-1.75
21	6019380	2	Muffler Heat Shield
22	2901370	10	Cap Screw, Hex Flange, M6-1.0 x 12mm
23	6019382	1	Exhaust Pipe Shield
24	2900328	2	Cap Screw, Hex Flange, M6-1.0 x 20mm
25	2900765	2	Lock Washer, M6 Split
26	2900305	2	Hex Nut, M6-1.0
27	6019381	1	Shield Platform

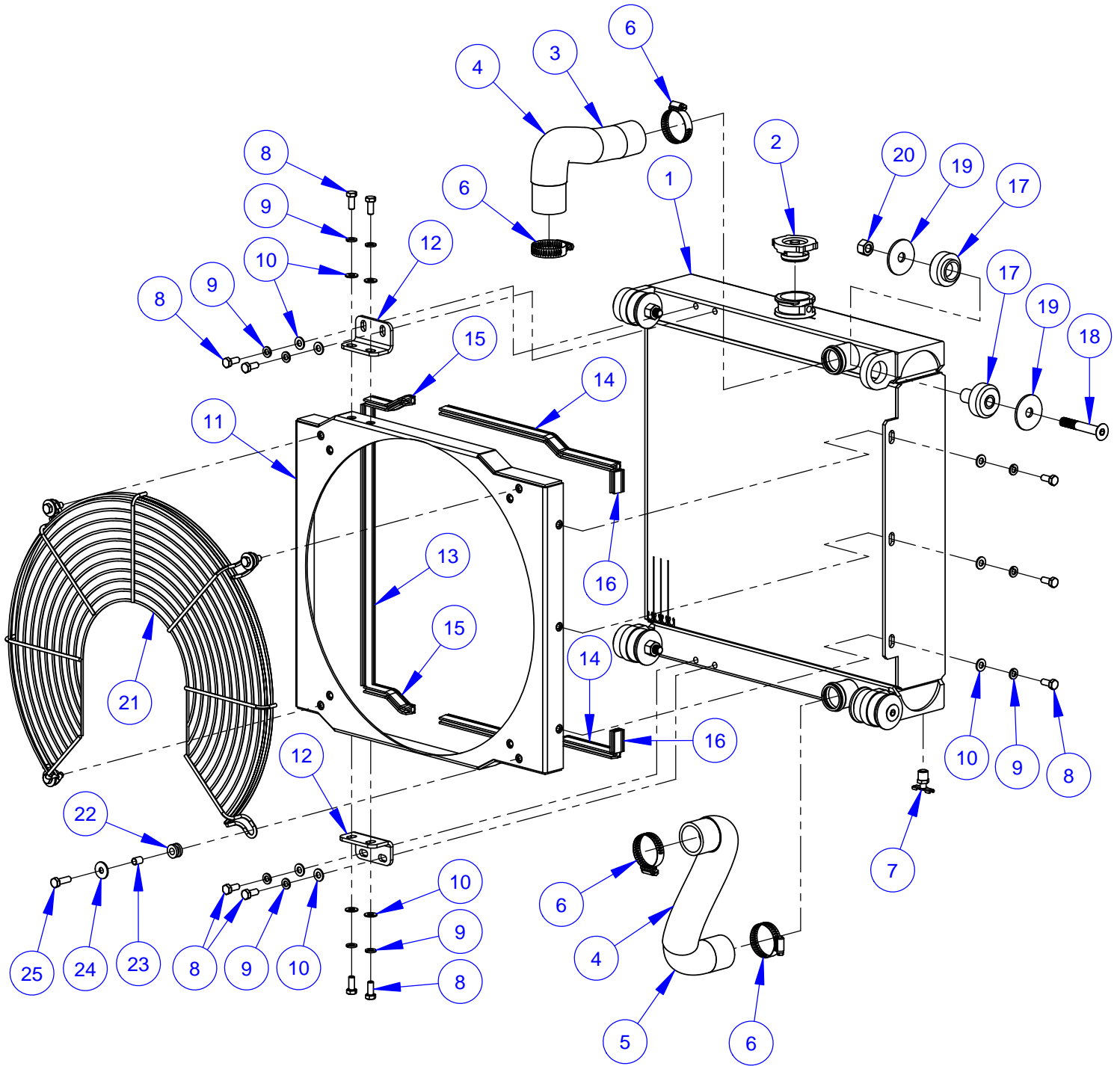
Fan Drive Assembly #6019308A



Fan Drive Assembly #6019308A

ITEM	PART NO.	QTY.	DESCRIPTION
1	6019006	1	Right Angle Drive Assembly
2	3200816	1	Gasket, SAE-A Flange
3	2900772	1	Cap Screw, Hex Hd., M10-1.5 x 110mm
4	2901356	2	Flat Washer, M10
5	2900304	2	Lock Nut, M10-1.5 Nylon Insert
6	2900487	1	Cap Screw, Hex Hd., M10-1.5 x 150mm
7	6019325	1	Offset Link Block
8	6019327	1	Spacer, 18mm long
9	6048018	1	Key, 3/16" Sq. x 3/4"
10	2506063	1	Belt, 230J6 Poly-V
11	2506061	2	Sheave, 3" Poly-V
12	2506062	2	Taper Bushing, 3/4" w/Setscrews
13	2900634	1	Cap Screw, Hex Flange, M8-1.25 x 20mm
14	6019386	1	Fan Mount Bracket
15	6019387	1	Rotary Tensioner Spacer
16	2501750	1	Rotary Tensioner
17	2506064	1	Idler Pulley 3"
18	2900139	1	Cap Screw, Hex Hd., 1/2-13 x 1-3/4"
19	2900058	2	Flat Washer, 1/2" SAE
20	2900026	2	Lock Nut, 1/2-13 Nylon
21	2900376	1	Cap Screw, Hex Hd., 1/2-13 x 7"
22	2900621	4	Cap Screw, Hex Hd., 3/8-16 x 7/8"
23	2900006	4	Lock Washer, 3/8" Split
24	2900014	4	Flat Washer, 3/8" SAE
25	2500159	2	Pillow Block Bearing, 3/4"
26	6019372	1	Fan Drive Shaft
27	2501186	2	Retaining Ring, External 3/4"
28	6047978	1	Key, 3/16" Sq. x 27/32"
29	2504750	1	Fan Clutch
30	2901575	1	Wedge Lock Washer Pair, M10
31	2901506	1	Cap Screw, Soc. Hd., M10-1.5 x 50mm
32	2504751	1	Cooling Fan, 17"
33	2900553	3	Cap Screw, Soc. Hd., M6-1.0 x 16mm
34	3202099	1	Adapter, 1/8" M. BSPT to 1/8" F. Pipe
35	3200363	2	Elbow, 1/8" M. Pipe to 1/4" Hose Barb
36	3200062	2	Hose Clamp #4
37	6047711	1	Hose, 1/4" I.D. x 10" Long

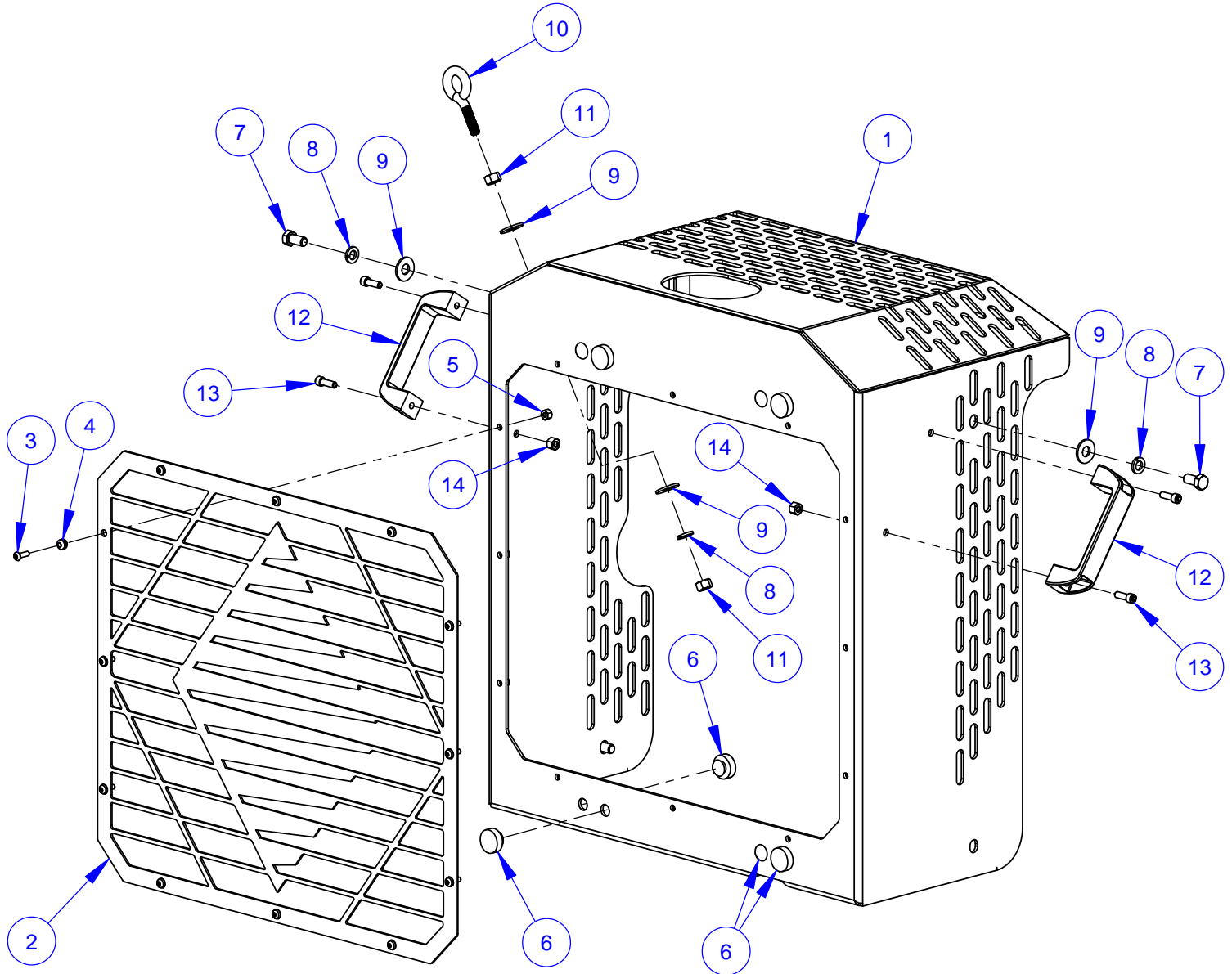
Radiator Assembly #6019312



Radiator Assembly #6019312

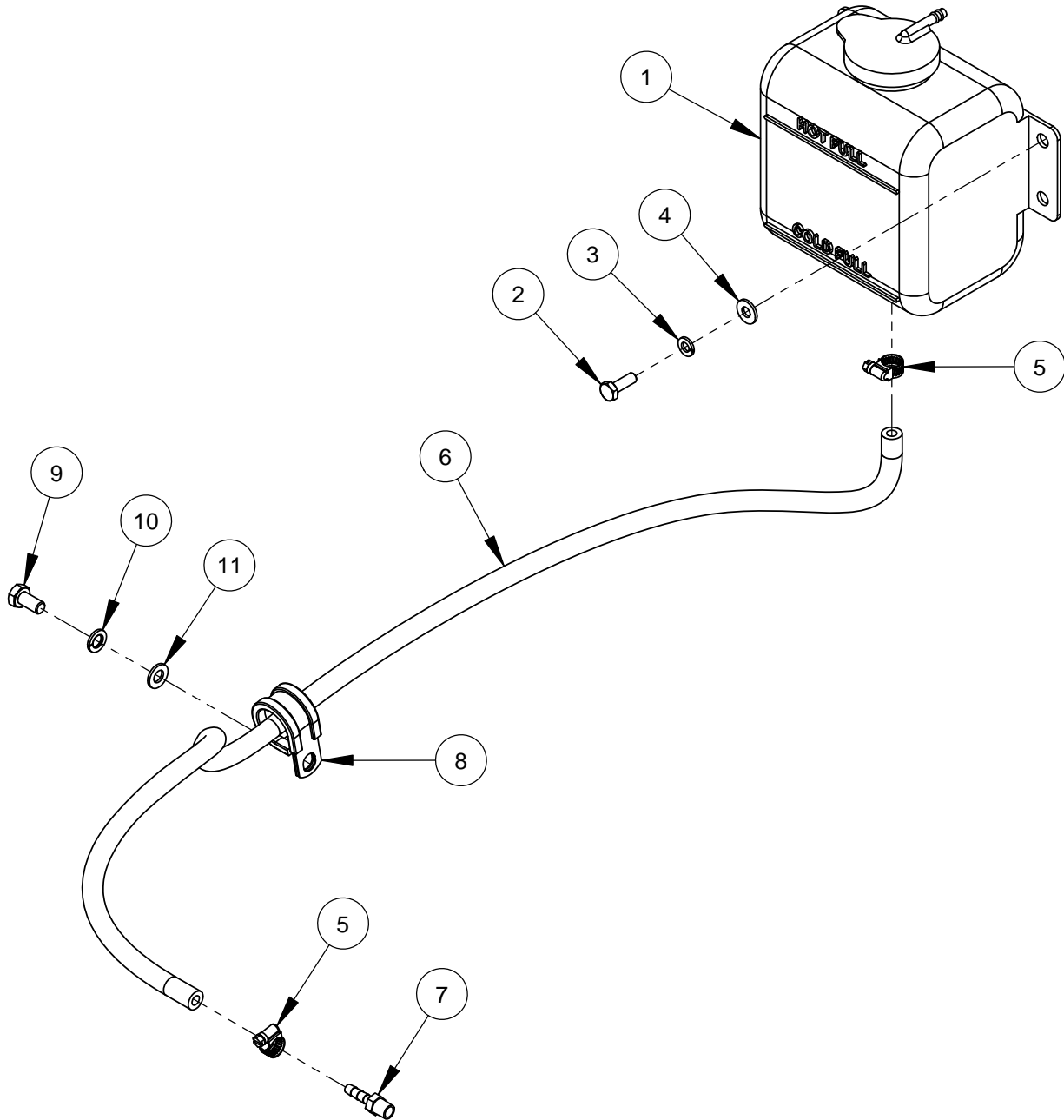
ITEM	PART NO.	QTY.	DESCRIPTION
1	2503664	1	Radiator
2	2502381	1	Radiator Cap
3	3202088	1	Radiator Hose, Upper
4	6019264	2	Hose Sleeving, 8" Long
5	3202089	1	Radiator Hose, Lower
6	3202142	4	Hose Clamp #24
7	3200035	1	Petcock, 1/4" NPT
8	2900019	11	Cap Screw, Hex Hd., 5/16-18 x 3/4"
9	2900031	11	Lock Washer, 5/16" Split
10	2900022	11	Flat Washer, 5/16" SAE
11	6019140	1	Fan Shroud
12	6019139	2	Retainer Bracket
13	6019111	1	Edge Trim Seal 16-1/4"
14	6019112	2	Edge Trim Seal 13-3/4"
15	6019113	2	Edge Trim Seal 3-1/2"
16	6019114	2	Edge Trim Seal 1-1/4"
17	2503669	4	Vibration Isolator
18	2901391	4	Cap Screw, Flat Hd., M12-1.75 x 80mm
19	2900854	6	Fender Washer, 1/2" x 2"
20	2900327	4	Lock Nut, M12-1.75 Nylon Insert
21	2503705	1	Fan Guard
22	2503711	4	Grommet, 3/8" I.D.
23	2503676	4	Sleeve, 1/2" Long
24	2900383	4	Fender Washer, M8
25	2900138	4	Cap Screw, Hex Hd., 5/16-18 x 1"

Radiator Shroud Assembly #6019313A



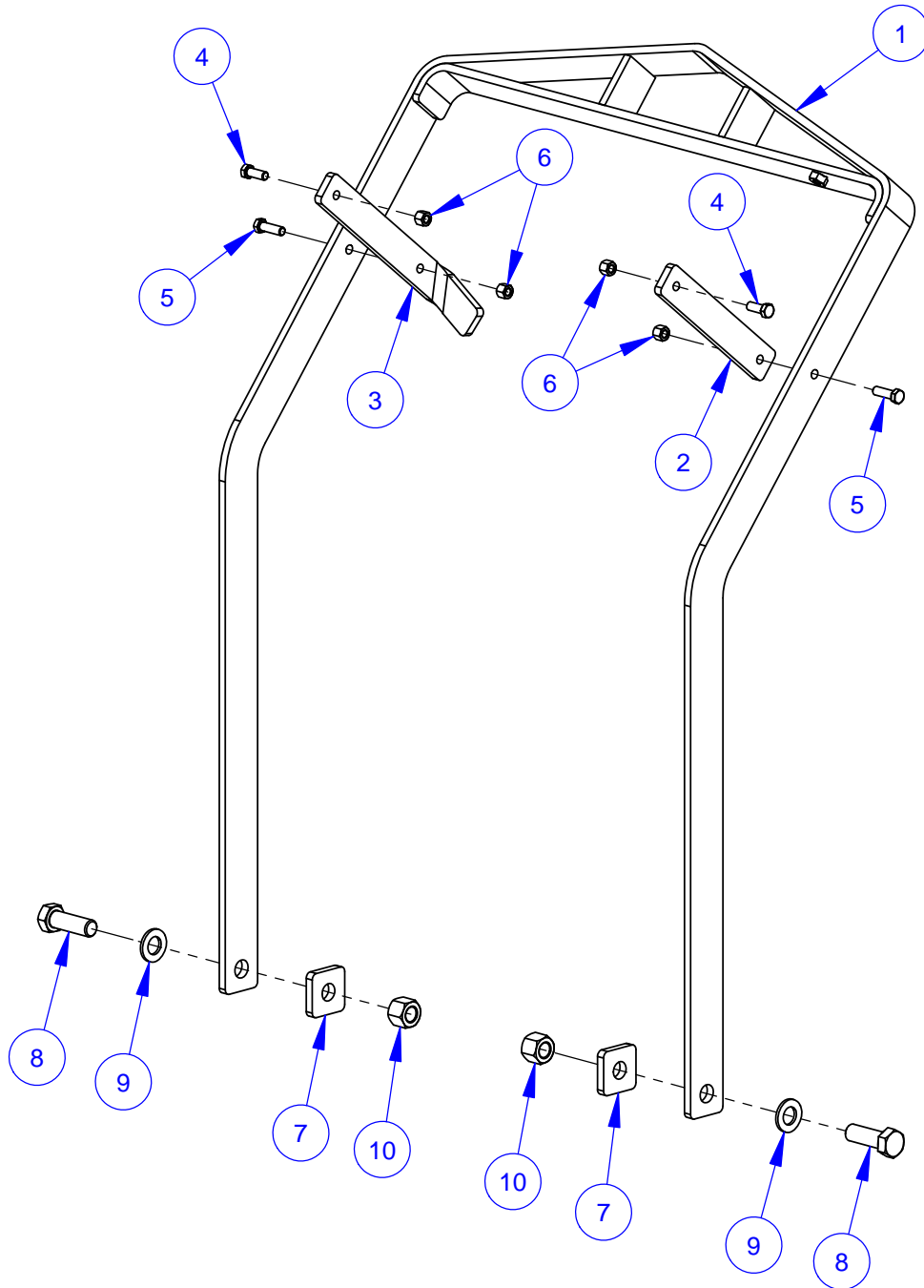
ITEM	PART NO.	QTY.	DESCRIPTION
1	6019384	1	Radiator Shroud
2	6019076	1	Logo Grille
3	2901230	12	Cap Screw, Button Hd., #10-24 x 5/8"
4	2500962	12	Grommet, 3/16" I.D.
5	2900017	12	Lock Nut, #10-24 Nylon
6	2502389	8	Button Bumper
7	2900196	3	Cap Screw, Hex Hd., 3/8-16 x 3/4"
8	2900006	4	Lock Washer, 3/8" Split
9	2900473	5	Flat Washer, 3/8" USS
10	2900892	1	Eyebolt, 3/8-16 x 1-1/2"
11	2900033	2	Hex Nut, 3/8-16
12	2400145	2	Handle
13	2900247	4	Cap Screw, Soc. Hd., 1/4-20 x 3/4"
14	2900010	4	Lock Nut, 1/4-20 Nylon

Coolant Tank Assembly #6019009



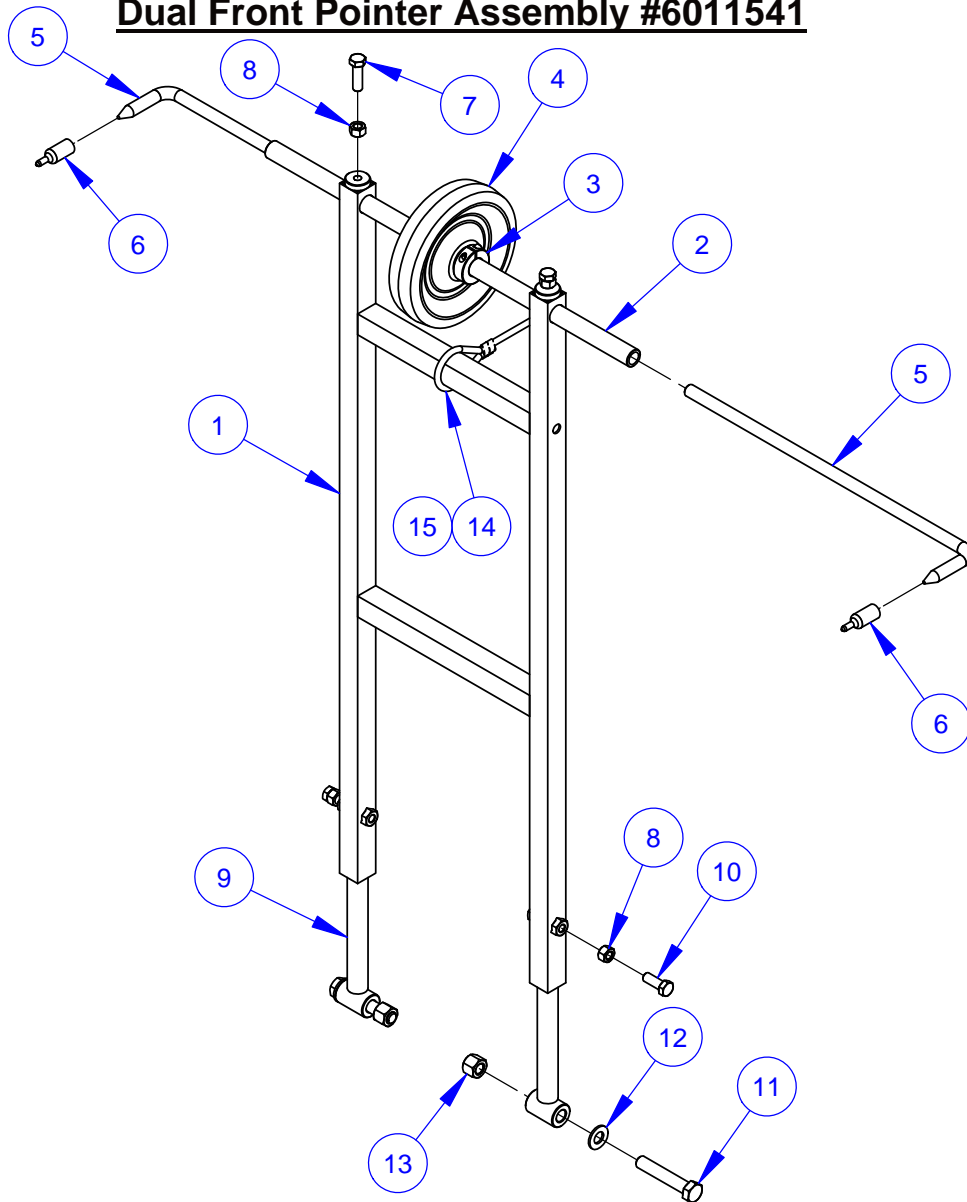
ITEM	PART NO.	QTY.	DESCRIPTION
1	2503716	1	Coolant Recovery Tank & Cap
2	2900144	1	Cap Screw, Hex Hd., 1/4-20 x 3/4"
3	2900024	1	Lock Washer, 1/4" Split
4	2900009	1	Flat Washer, 1/4" SAE
5	3200062	2	Hose Clamp #4
6	6019095	1	Hose, 1/4" I.D. x 42" Long
7	3200018	1	Fitting, 1/8" M. Pipe to 1/4" Hose Barb
8	3201729	1	Hose Clamp, 1" x 3/4" Wide
9	2900868	1	Cap Screw, Hex Hd., M8-1.25 x 16mm
10	2900763	1	Lock Washer, M8 Split
11	2901336	1	Flat Washer, M8

Frame Lift Assembly #6019314



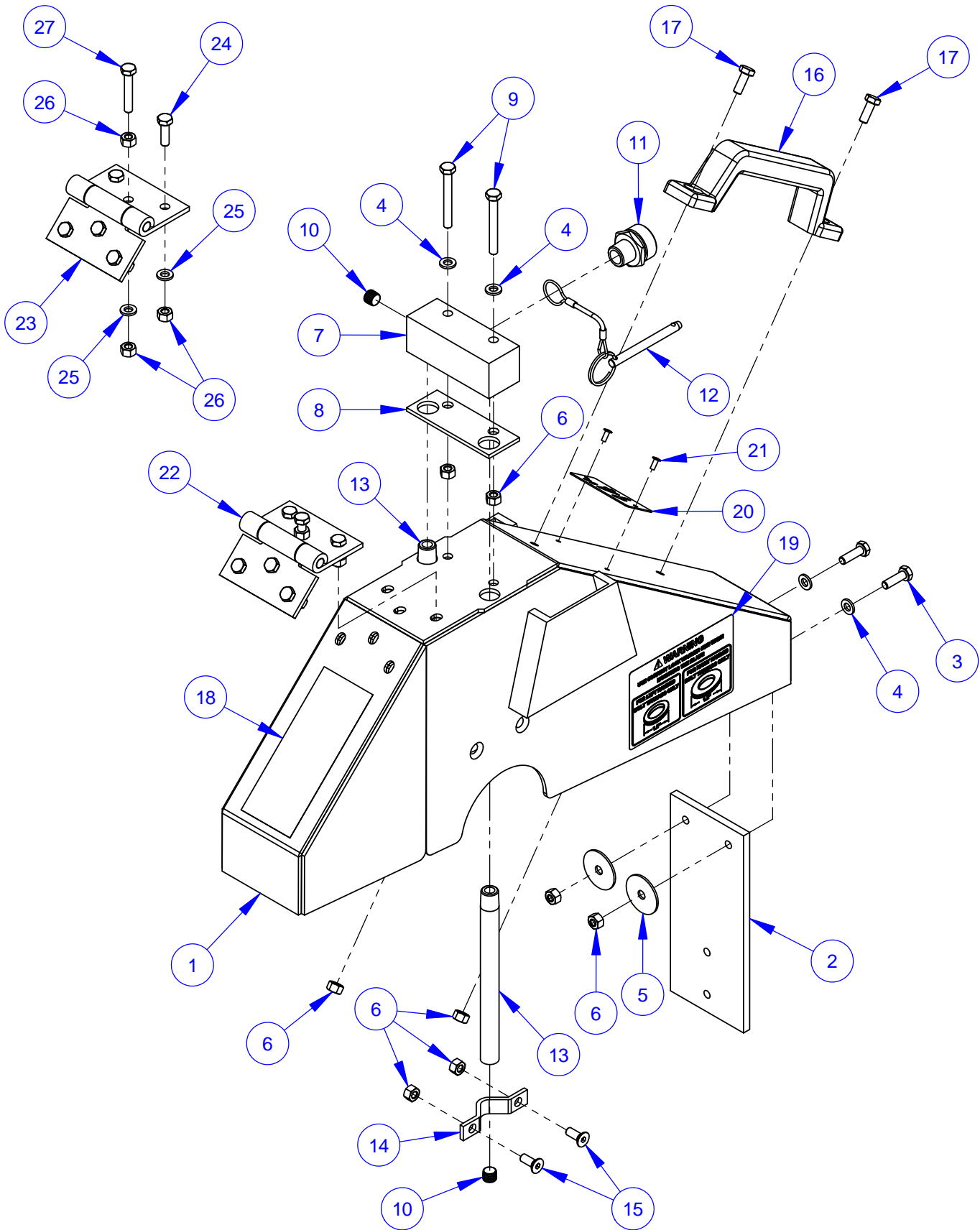
ITEM	PART NO.	QTY.	DESCRIPTION
1	6013051	1	Frame Lift
2	6013156	1	Frame Lift Brace
3	6019242	1	Frame Lift Stop Brace
4	2900005	2	Cap Screw, Hex Hd., 3/8-16 x 1"
5	2900013	2	Cap Screw, Hex Hd., 3/8-16 x 1-1/4"
6	2900018	4	Locknut, 3/8-16, Nylon
7	6013053	2	Frame Lift Spacer
8	2900465	2	Cap Screw, Hex Hd., 3/4-10 x 2-1/4"
9	2900003	2	Flat Washer, 3/4" SAE
10	2900467	2	Lock Nut, 3/4-10 Nylon

Dual Front Pointer Assembly #6011541



ITEM	PART NO.	QTY.	DESCRIPTION
1	6011537	1	Front Pointer Frame
2	6011539	1	Pointer Tube, 20"
3	2504577	2	Shaft Collar, 3/4" Split
4	2504581	1	Wheel, 6"
5	6011536	2	Front Pointer Rod, 16"
6	2500740	2	Pointer Cap
7	2900013	2	Cap Screw, Hex Hd., 3/8-16 x 1-1/4"
8	2900033	4	Hex Nut, 3/8-16
9	6011152	2	Front Pointer Arm
10	2900005	2	Cap Screw, Hex Hd., 3/8-16 x 1"
11	2900105	2	Cap Screw, Hex Hd., 1/2-13 x 2-3/4"
12	2900239	2	Friction Washer, 1/2"
13	2900026	2	Lock Nut, 1/2-13 Nylon
14	6017241	1	Pointer Rope 11 Foot
15	3200221	2	Pinch Clamp, Two Ear

14" Blade Guard Assembly #6010950

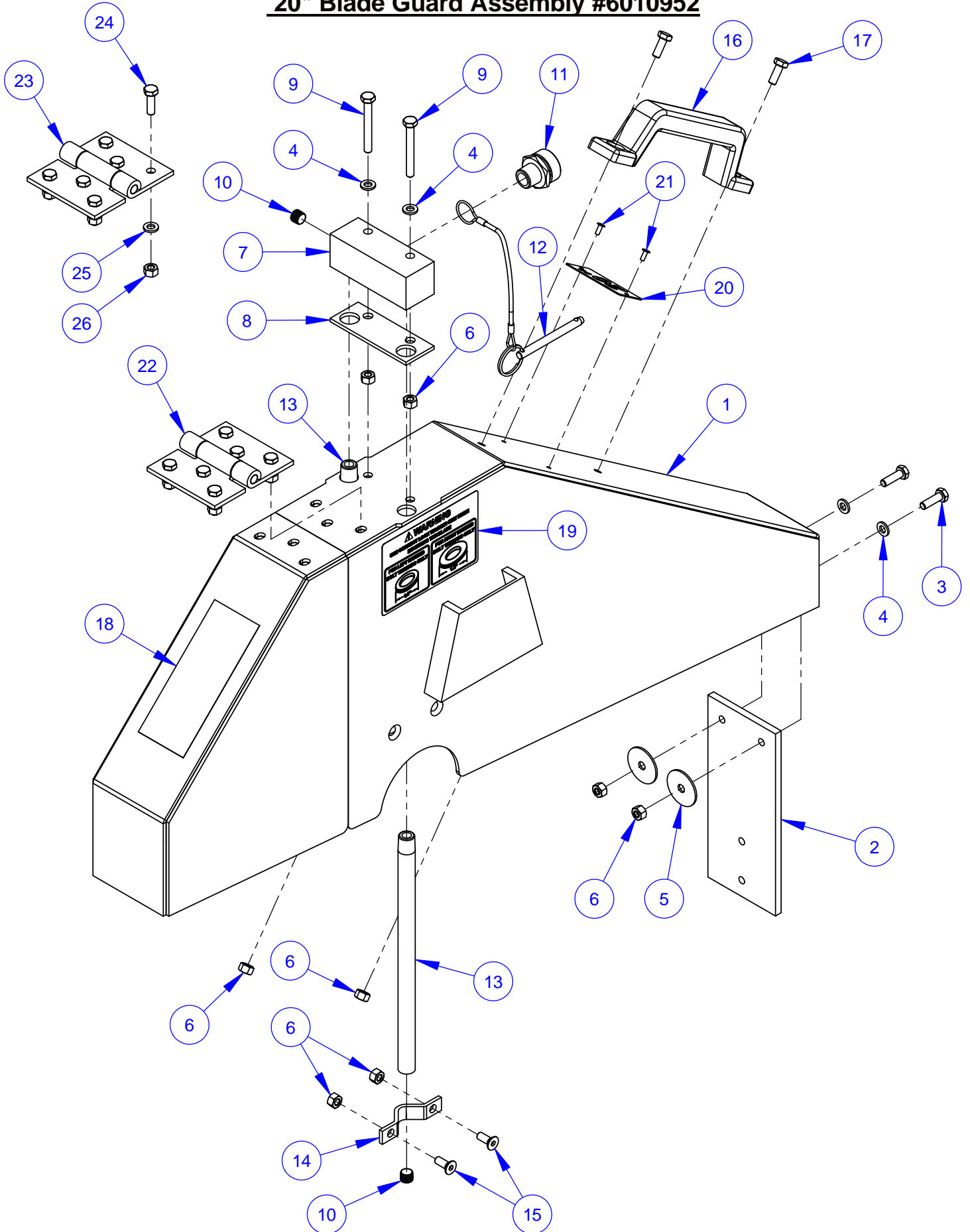


14" Blade Guard Assembly #6010950

ITEM	PART NO.	QTY.	DESCRIPTION
1	6010601	1	14" Blade Guard Front & Rear Only
2	6010081	1	Splash Flap
3	2900310	2	Cap Screw, Hex Hd., M6-1.0 x 20mm
4	2901494	4	Flat Washer, M6
5	2900083	2	Fender Washer, 1/4" x 1-1/4"
6	2900302	10	Lock Nut, M6-1.0 Nylon Insert
7	6010261	1	Water Manifold
8	2500830	1	Water Manifold Gasket
9	2901355	2	Cap Screw, Hex Hd., M6-1.0 x 50mm
10	3200001	3	Plug, 1/8" NPT
11	3200002	1	Fitting, 3/8" M. Pipe to 3/4" M. Garden
12	2900278	1	Lanyard with Lock Pin
13	6048283	2	Water Tube for 14" Guard
14	6048155	2	Water Tube Clamp
15	2900308	4	Cap Screw, Flat Hd., M6-1.0 x 16mm
16	2506125	1	Grab Handle
17	2900341	2	Cap Screw, Hex Hd., M6-1.0 x 16mm
18	1800001	1	Warning Label
19	1802090	2	Label, Wedge Locking Washer
20	1801369A	1	Blade Guard Size Tag
21	2900287	2	Rivet, 1/8" Dia.
22	6048026	1	Hinge Assembly

ITEM	PART NO.	QTY.	DESCRIPTION
23	2500270	1	Blade Guard Hinge
24	2900310	5	Cap Screw, Hex Hd., M6-1.0 x 20mm
25	2901494	6	Flat Washer, M6
26	2900302	7	Lock Nut, M6-1.0 Nylon Insert
27	2900312	1	Cap Screw, Hex Hd., M6-1.0 x 35mm

20" Blade Guard Assembly #6010952

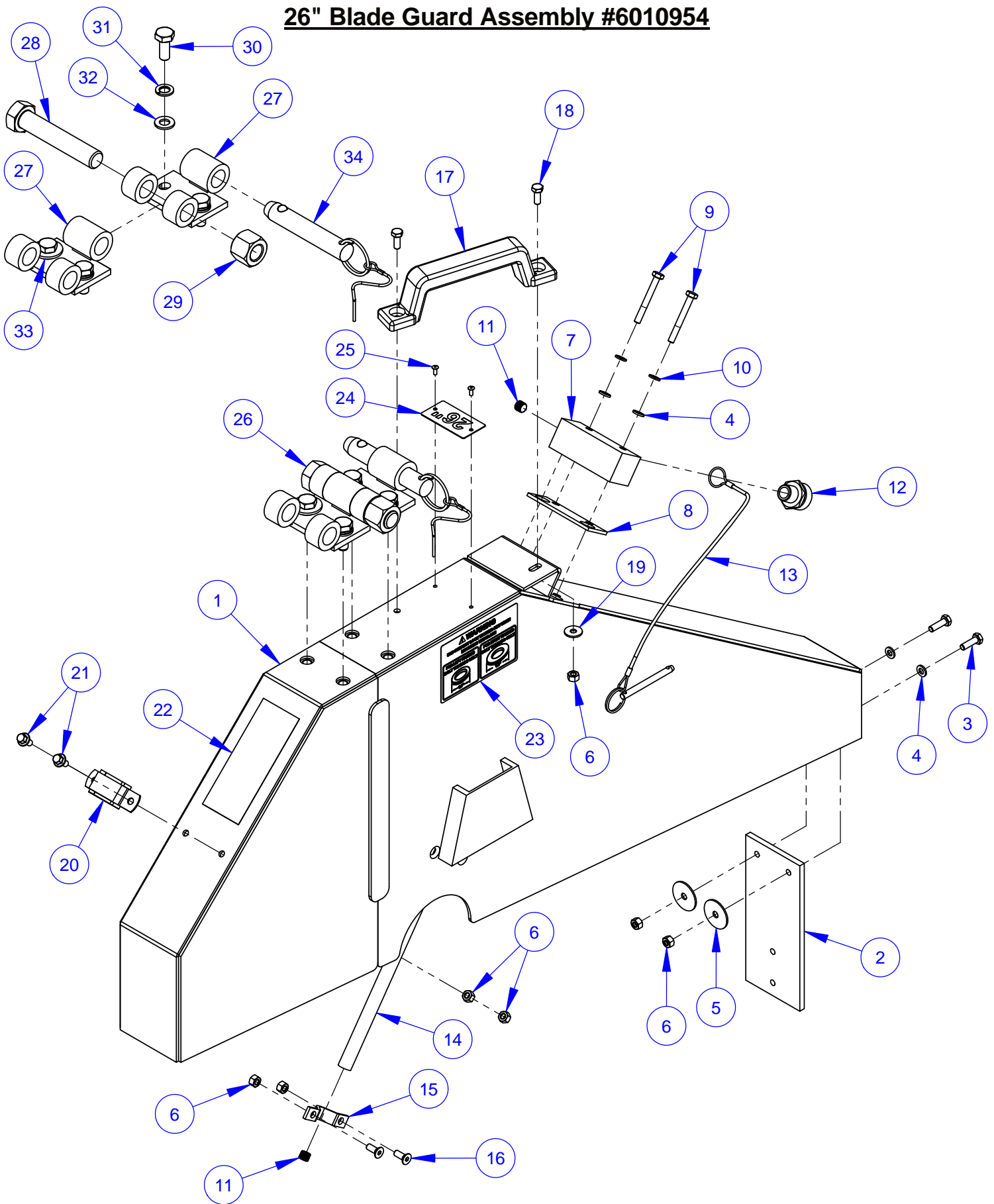


20" Blade Guard Assembly #6010952

ITEM	PART NO.	QTY.	DESCRIPTION
1	6010603	1	20" Blade Guard Front & Rear Only
2	6010081	1	Splash Flap
3	2900310	2	Cap Screw, Hex Hd., M6-1.0 x 20mm
4	2901494	4	Flat Washer, M6
5	2900083	2	Fender Washer, 1/4" x 1-1/4"
6	2900302	10	Lock Nut, M6-1.0 Nylon Insert
7	6010261	1	Water Manifold
8	2500830	1	Water Manifold Gasket
9	2901355	2	Cap Screw, Hex Hd., M6-1.0 x 50mm
10	3200001	3	Plug, 1/8" NPT
11	3200002	1	Fitting, 3/8" M. Pipe to 3/4" M. Garden
12	2900278	1	Lanyard with Lock Pin
13	6010085	2	Water Tube for 20" Guard
14	6048155	2	Water Tube Clamp
15	2900308	4	Cap Screw, Flat Hd., M6-1.0 x 16mm
16	2506125	1	Grab Handle
17	2900341	2	Cap Screw, Hex Hd., M6-1.0 x 16mm
18	1800001	1	Warning Label
19	1802090	2	Label, Wedge Locking Washer
20	1801369D	1	Blade Guard Size Tag
21	2900287	2	Rivet, 1/8" Dia.
22	6048027	1	Hinge Assembly

ITEM	PART NO.	QTY.	DESCRIPTION
23	2500270	1	Blade Guard Hinge
24	2900310	6	Cap Screw, Hex Hd., M6-1.0 x 20mm
25	2901494	6	Flat Washer, M6
26	2900302	6	Lock Nut, M6-1.0 Nylon Insert

26" Blade Guard Assembly #6010954

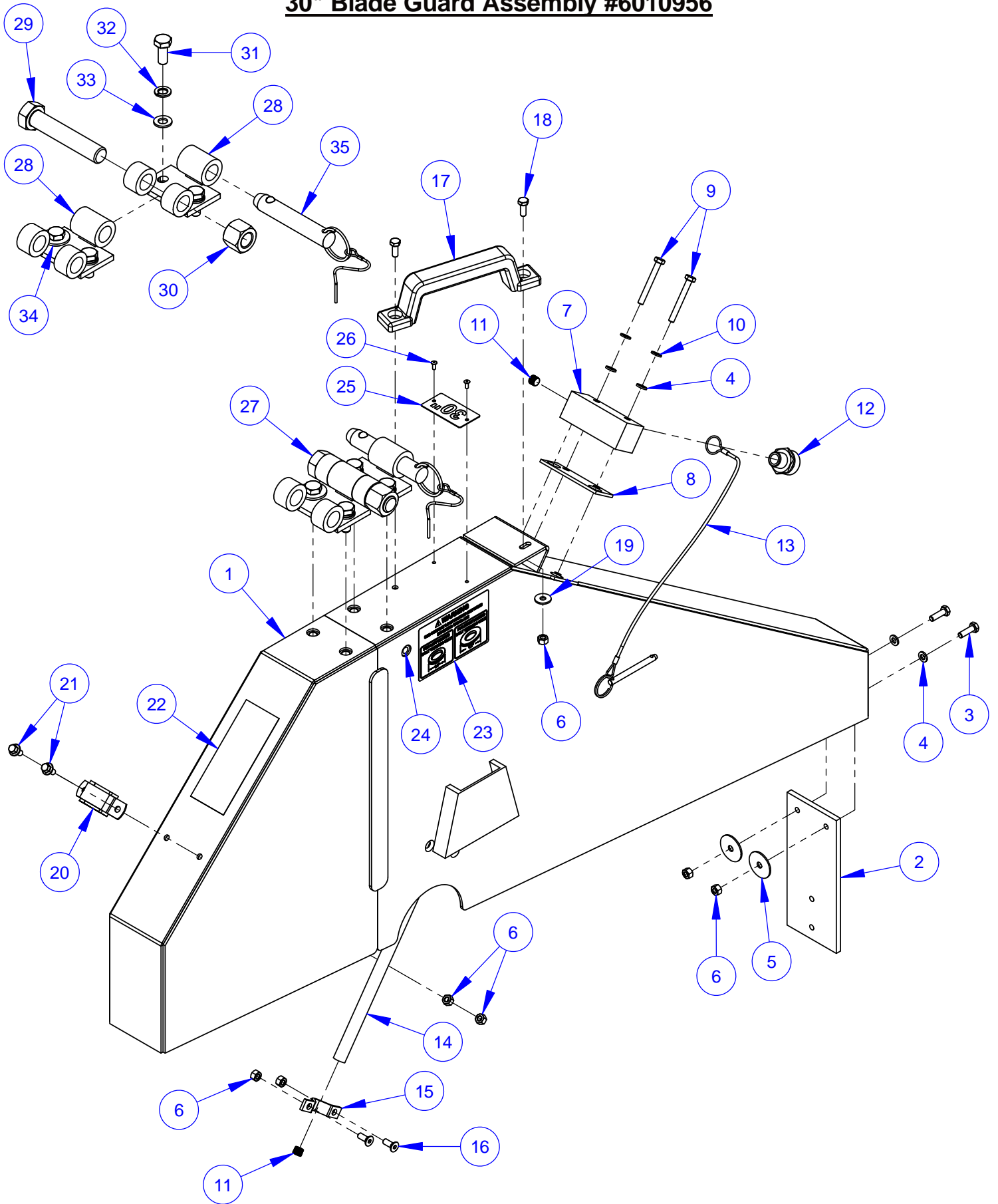


26" Blade Guard Assembly #6010954

ITEM	PART NO.	QTY.	DESCRIPTION
1	6010955	1	26" Blade Guard Front & Rear Only
2	6010081	1	Splash Flap
3	2900310	2	Cap Screw, Hex Hd., M6-1.0 x 20mm
4	2901494	4	Flat Washer, M6
5	2900083	2	Fender Washer, 1/4" x 1-1/4"
6	2900302	10	Lock Nut, M6-1.0 Nylon Insert
7	6010261	1	Water Manifold
8	2500830	1	Water Manifold Gasket
9	2901355	2	Cap Screw, Hex Hd., M6-1.0 x 50mm
10	2900765	2	Lock Washer, M6 Split
11	3200001	3	Plug, 1/8" NPT
12	3200002	1	Fitting, 3/8" M. Pipe to 3/4" M. Garden
13	2900279	1	Lanyard with Lock Pin
14	6010086	2	Water Tube for 26" Guard
15	6048155	2	Water Tube Clamp
16	2900308	4	Cap Screw, Flat Hd., M6-1.0 x 16mm
17	2506125	1	Grab Handle
18	2900341	2	Cap Screw, Hex Hd., M6-1.0 x 16mm
19	2901359	1	Fender Washer, M6
20	3202935	1	Cushion Clamp
21	2901370	2	Cap Screw, Hex Flange, M6-1.0 x 12mm
22	1800001	1	Warning Label
23	1802090	2	Label, Wedge Locking Washer
24	1801369F	1	Blade Guard Size Tag
25	2900287	2	Rivet, 1/8" Dia.
26	6010873	1	Universal Hinge Assembly

ITEM	PART NO.	QTY	DESCRIPTION
27	6010871	2	Hinge Weldment, Universal
28	2900479	1	Cap Screw, Hex Hd., 3/4-10 x 4"
29	2900467	1	Lock Nut, 3/4-10 Nylon
30	2900333	4	Cap Screw, Hex Hd., M10-1.5 x 25mm
31	2900321	4	Lock Washer, M10 Split
32	2901356	4	Flat Washer, M10
33	2901360	1	Fender Washer, M10
34	2503824	1	Detent Pin with Lanyard

30" Blade Guard Assembly #6010956

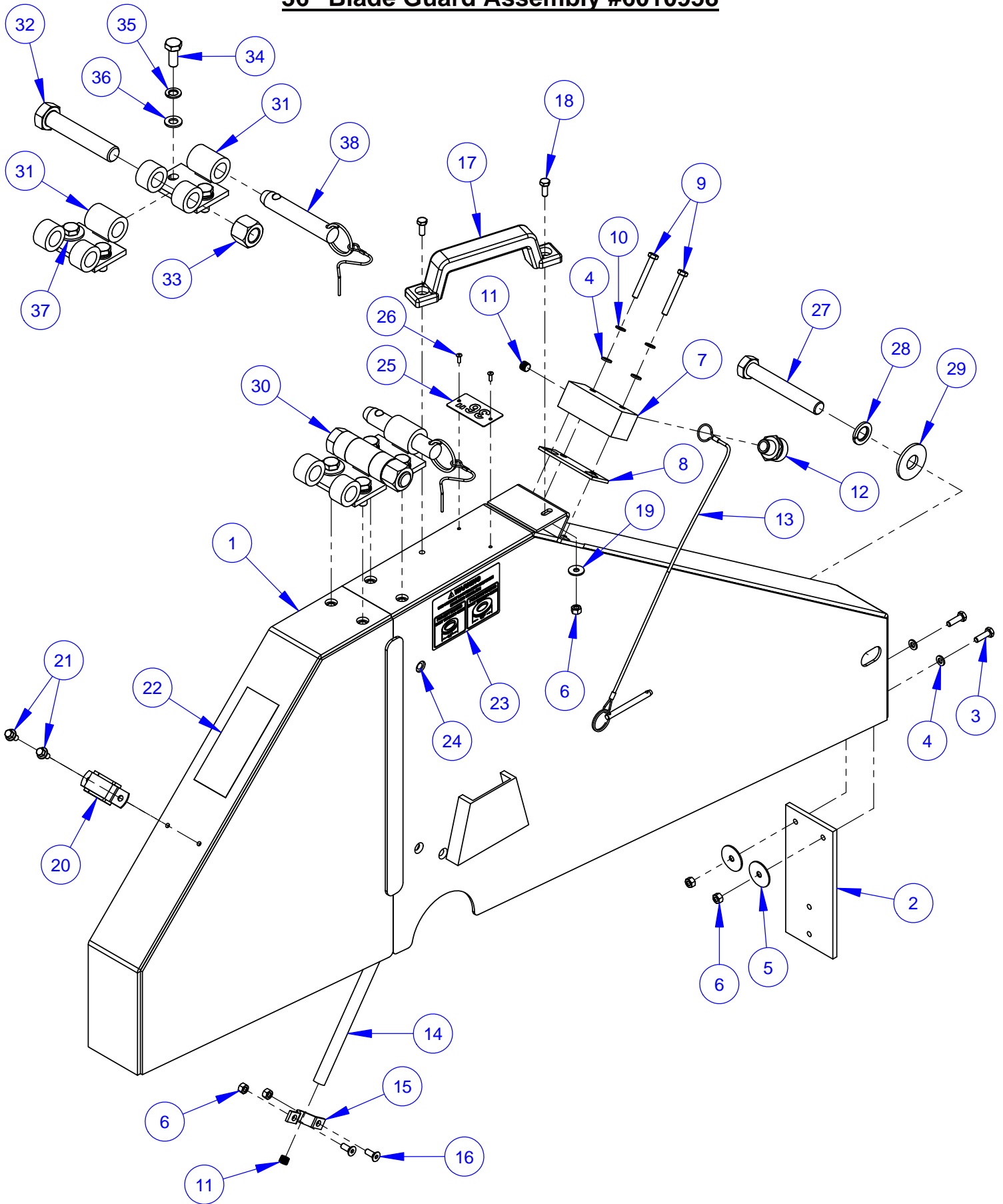


30" Blade Guard Assembly #6010956

ITEM	PART NO.	QTY.	DESCRIPTION
1	6010957	1	30" Blade Guard Front & Rear Only
2	6010081	1	Splash Flap
3	2900310	2	Cap Screw, Hex Hd., M6-1.0 x 20mm
4	2901494	4	Flat Washer, M6
5	2900083	2	Fender Washer, 1/4" x 1-1/4"
6	2900302	10	Lock Nut, M6-1.0 Nylon Insert
7	6010261	1	Water Manifold
8	2500830	1	Water Manifold Gasket
9	2901355	2	Cap Screw, Hex Hd., M6-1.0 x 50mm
10	2900765	2	Lock Washer, M6 Split
11	3200001	3	Plug, 1/8" NPT
12	3200002	1	Fitting, 3/8" M. Pipe to 3/4" M. Garden
13	2900279	1	Lanyard with Lock Pin
14	6010087	2	Water Tube for 30" Guard
15	6048155	2	Water Tube Clamp
16	2900308	4	Cap Screw, Flat Hd., M6-1.0 x 16mm
17	2506125	1	Grab Handle
18	2900341	2	Cap Screw, Hex Hd., M6-1.0 x 16mm
19	2901359	1	Fender Washer, M6
20	3202935	1	Cushion Clamp
21	2901370	2	Cap Screw, Hex Flange, M6-1.0 x 12mm
22	1800001	1	Warning Label
23	1802090	2	Label, Wedge Locking Washer
24	2503749	2	Plug, 5/16" Hole (Tapered)
25	1801369G	1	Blade Guard Size Tag
26	2900287	2	Rivet, 1/8" Dia.
27	6010873	1	Universal Hinge Assembly

ITEM	PART NO.	QTY	DESCRIPTION
28	6010871	2	Hinge Weldment, Universal
29	2900479	1	Cap Screw, Hex Hd., 3/4-10 x 4"
30	2900467	1	Lock Nut, 3/4-10 Nylon
31	2900333	4	Cap Screw, Hex Hd., M10-1.5 x 25mm
32	2900321	4	Lock Washer, M10 Split
33	2901356	4	Flat Washer, M10
34	2901360	1	Fender Washer, M10
35	2503824	1	Detent Pin with Lanyard

36" Blade Guard Assembly #6010958

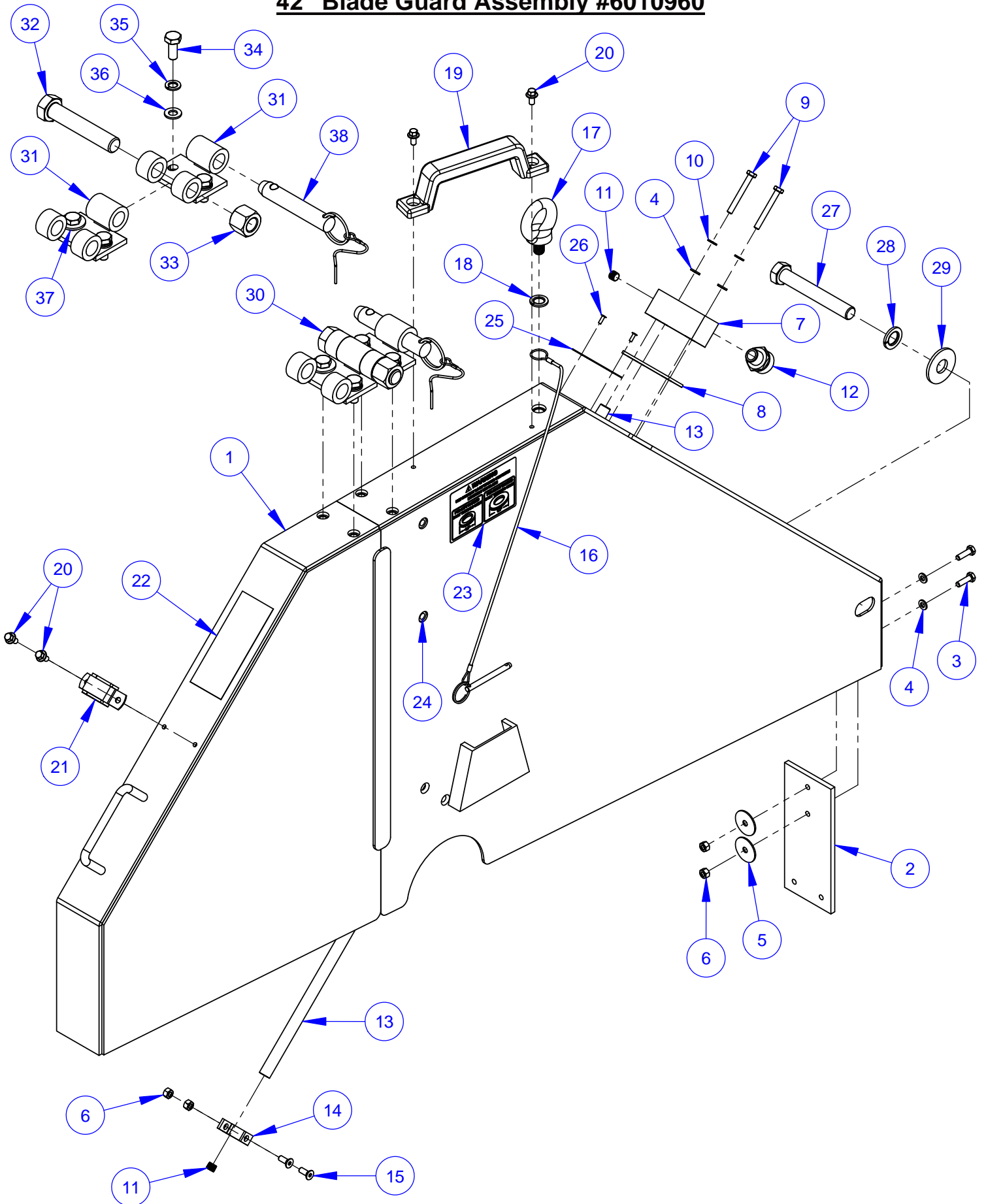


36" Blade Guard Assembly #6010958

ITEM	PART NO.	QTY.	DESCRIPTION
1	6010959	1	36" Blade Guard Front & Rear Only
2	6010081	1	Splash Flap
3	2900310	2	Cap Screw, Hex Hd., M6-1.0 x 20mm
4	2901494	4	Flat Washer, M6
5	2900083	2	Fender Washer, 1/4" x 1-1/4"
6	2900302	8	Lock Nut, M6-1.0 Nylon Insert
7	6010261	1	Water Manifold
8	2500830	1	Water Manifold Gasket
9	2901355	2	Cap Screw, Hex Hd., M6-1.0 x 50mm
10	2900765	2	Lock Washer, M6 Split
11	3200001	3	Plug, 1/8" NPT
12	3200002	1	Fitting, 3/8" M. Pipe to 3/4" M. Garden
13	2900280	1	Lanyard with Lock Pin
14	6010088	2	Water Tube for 36" Guard
15	6048155	2	Water Tube Clamp
16	2900308	4	Cap Screw, Flat Hd., M6-1.0 x 16mm
17	2506125	1	Grab Handle
18	2900341	2	Cap Screw, Hex Hd., M6-1.0 x 16mm
19	2901359	1	Fender Washer, M6
20	3202935	1	Cushion Clamp
21	2901370	2	Cap Screw, Hex Flange, M6-1.0 x 12mm
22	1800001	1	Warning Label
23	1802090	2	Label, Wedge Locking Washer
24	2503749	2	Plug, 5/16" Hole (Tapered)
25	1801369H	1	Blade Guard Size Tag
26	2900639	2	Rivet, 1/8" Dia.
27	2901349	1	Cap Screw, Hex Hd., M16-2.0 x 110mm
28	2900716	1	Lock Washer, M16 Split
29	2900128	1	Flat Washer, 5/8" USS
30	6010873	1	Universal Hinge Assembly

ITEM	PART NO.	QTY	DESCRIPTION
31	6010871	2	Hinge Weldment, Universal
32	2900479	1	Cap Screw, Hex Hd., 3/4-10 x 4"
33	2900467	1	Lock Nut, 3/4-10 Nylon
34	2900333	4	Cap Screw, Hex Hd., M10-1.5 x 25mm
35	2900321	4	Lock Washer, M10 Split
36	2901356	4	Flat Washer, M10
37	2901360	1	Fender Washer, M10
38	2503824	1	Detent Pin with Lanyard

42" Blade Guard Assembly #6010960

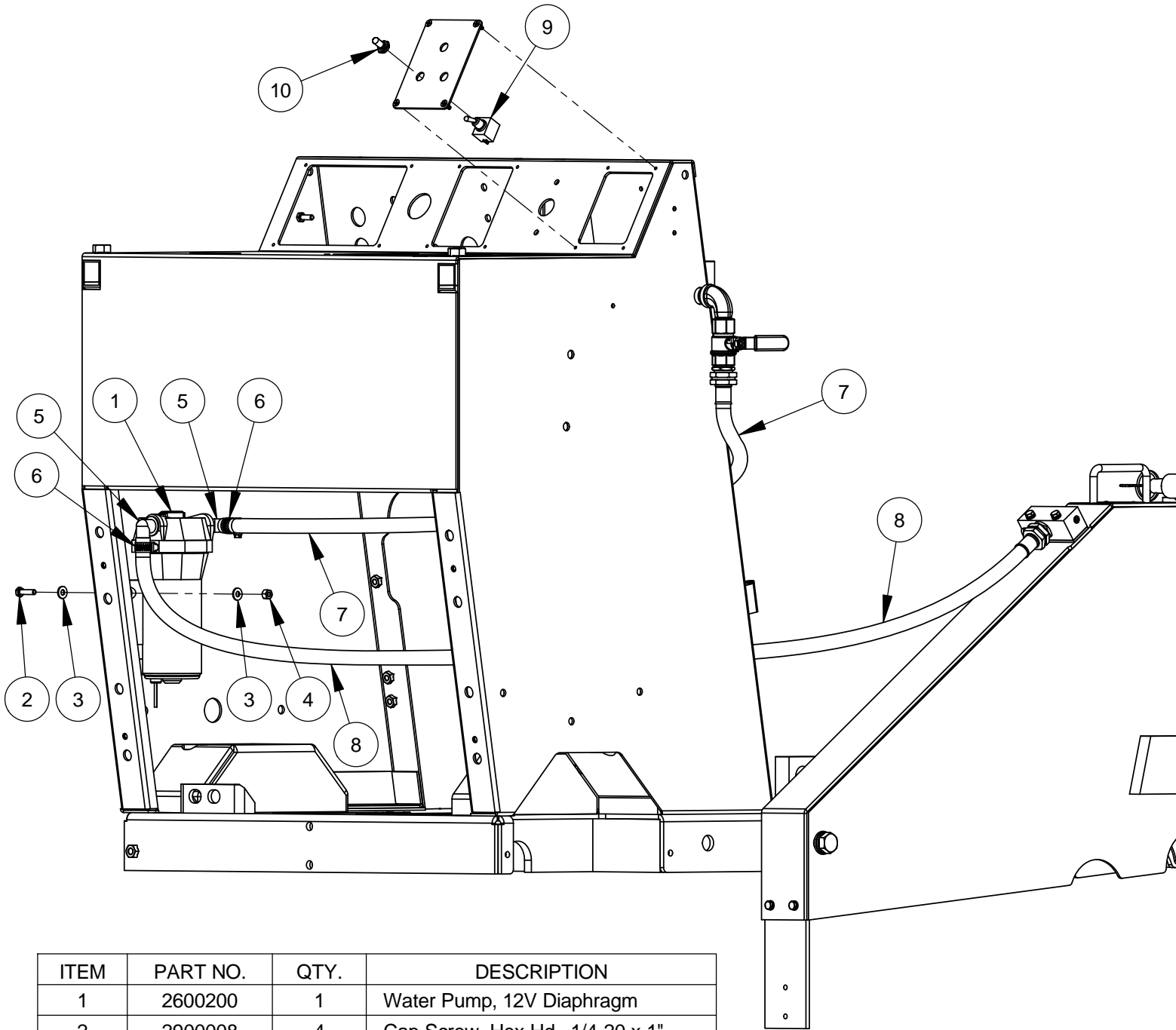


42" Blade Guard Assembly #6010960

ITEM	PART NO.	QTY	DESCRIPTION
1	6010961	1	42" Blade Guard Front & Rear Only
2	6010081	1	Splash Flap
3	2900310	2	Cap Screw, Hex Hd., M6-1.0 x 20mm
4	2901494	4	Flat Washer, M6
5	2900083	2	Fender Washer, 1/4" x 1-1/4"
6	2900302	6	Lock Nut, M6-1.0 Nylon Insert
7	6048123	1	Water Manifold
8	2500829	1	Water Manifold Gasket
9	2901355	2	Cap Screw, Hex Hd., M6-1.0 x 50mm
10	2900765	2	Lock Washer, M6 Split
11	3200001	3	Plug, 1/8" NPT
12	3200002	1	Fitting, 3/8" M. Pipe to 3/4" M. Garden
13	6010114	2	Water Tube for 42" Guard
14	6048155	2	Water Tube Clamp
15	2900308	4	Cap Screw, Flat Hd., M6-1.0 x 16mm
16	2900280	1	Lanyard with Lock Pin
17	2902138	1	Eye Bolt, M12-1.75
18	2900699	1	Lock Washer, M12 Split
19	2506125	1	Grab Handle
20	2901370	4	Cap Screw, Hex Flange, M6-1.0 x 12mm
21	3202935	1	Cushion Clamp
22	1800001	1	Warning Label
23	1802090	2	Label, Wedge Locking Washer
24	2503749	4	Plug, 5/16" Hole (Tapered)
25	1801369I	1	Blade Guard Size Tag
26	2900639	2	Rivet, 1/8" Dia.
27	2901349	1	Cap Screw, Hex Hd., M16-2.0 x 110mm
28	2900716	1	Lock Washer, M16 Split
29	2900128	1	Flat Washer, 5/8" USS
30	6010873	1	Universal Hinge Assembly

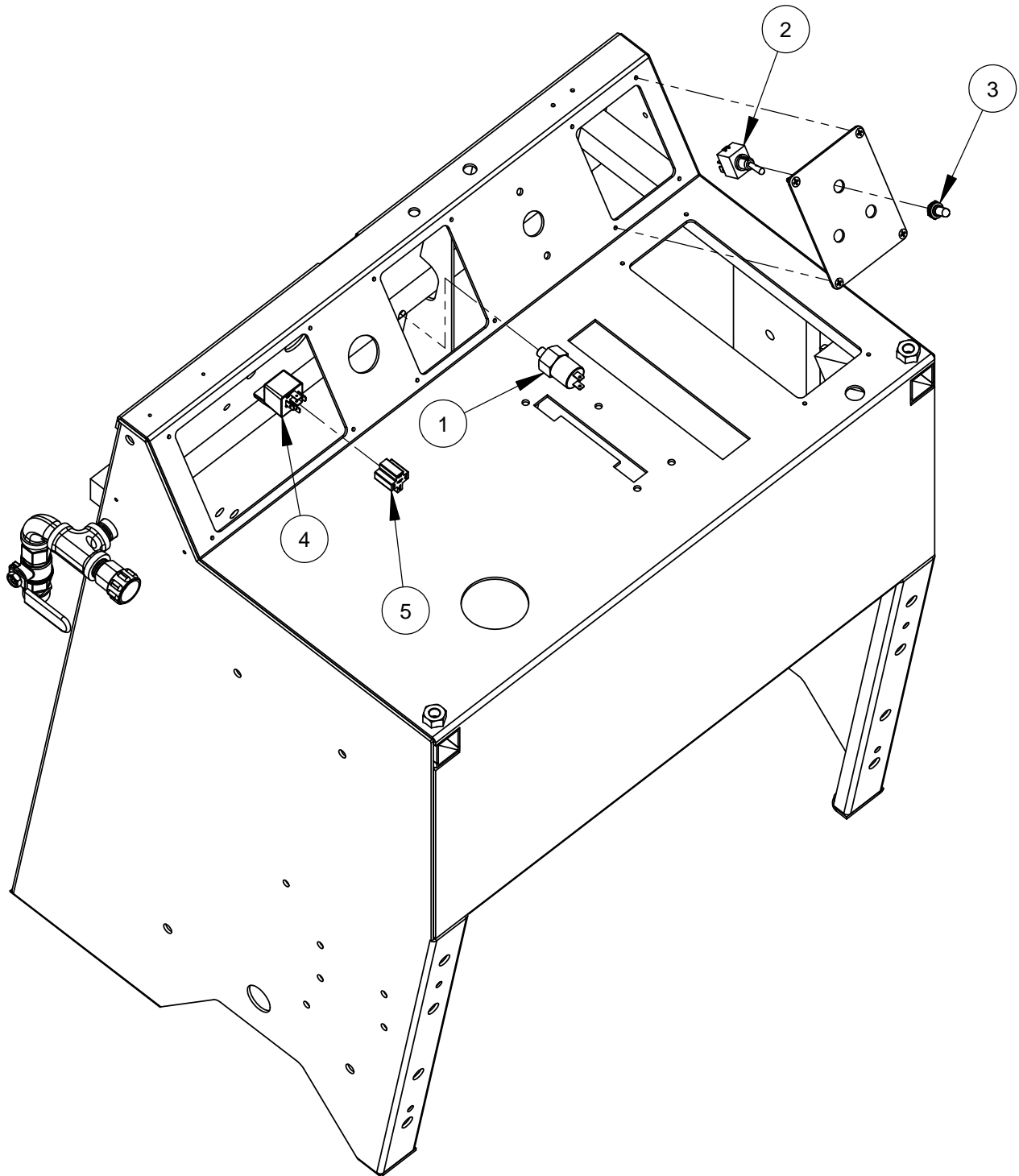
ITEM	PART NO.	QTY	DESCRIPTION
31	6010871	2	Hinge Weldment, Universal
32	2900479	1	Cap Screw, Hex Hd., 3/4-10 x 4"
33	2900467	1	Lock Nut, 3/4-10 Nylon
34	2900333	4	Cap Screw, Hex Hd., M10-1.5 x 25mm
35	2900321	4	Lock Washer, M10 Split
36	2901356	4	Flat Washer, M10
37	2901360	1	Fender Washer, M10
38	2503824	1	Detent Pin with Lanyard

Optional Water Pump Assembly #6011032



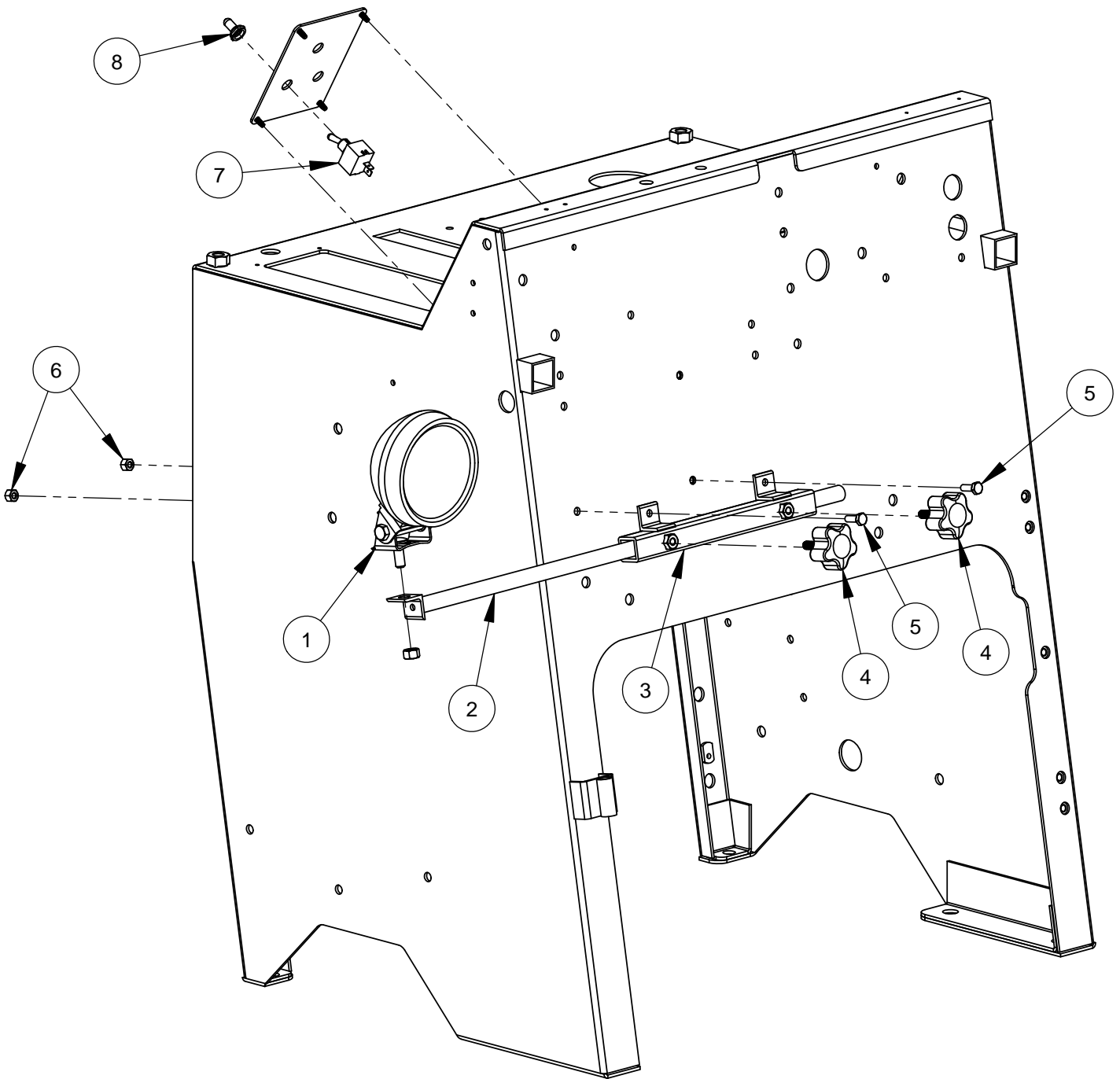
ITEM	PART NO.	QTY.	DESCRIPTION
1	2600200	1	Water Pump, 12V Diaphragm
2	2900008	4	Cap Screw, Hex Hd., 1/4-20 x 1"
3	2900009	8	Flat Washer, 1/4" SAE
4	2900010	4	Lock Nut, 1/4-20 Nylon
5	2701694	2	Port Fitting, 1/2" Barb x 90 Degree
6	3200016	2	Hose Clamp #8
7	6010302	1	Water Hose Assembly 48"
8	6010303	1	Water Hose Assembly 60"
9	2800062	1	Toggle Switch On/Off
10	2800063	1	Toggle Switch Boot

Optional Water Safety Switch Assembly #6010522



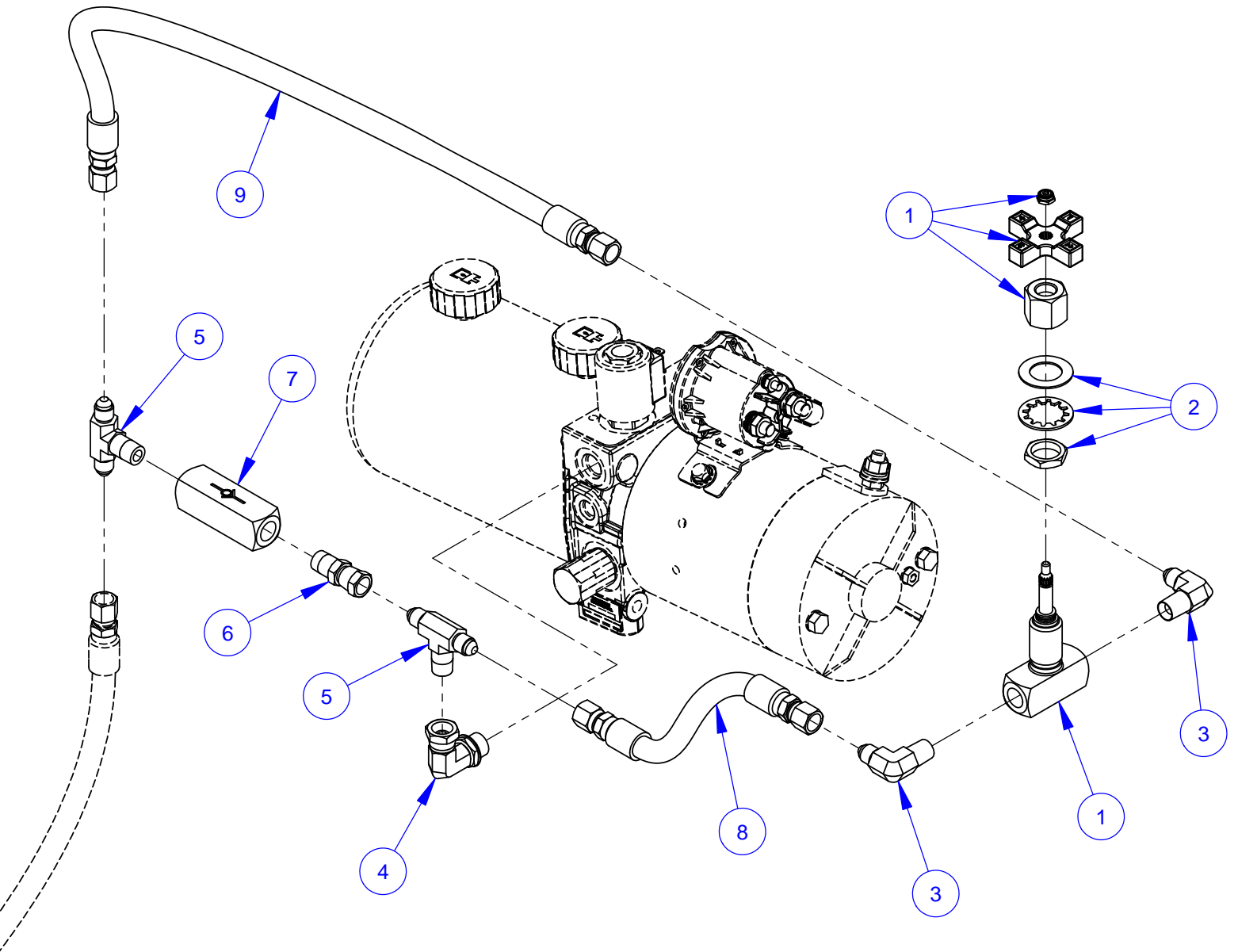
ITEM	PART NO.	QTY.	DESCRIPTION
1	2800060	1	Water Pressure Safety Switch
2	2800062	1	Toggle Switch On/Off
3	2800063	1	Toggle Switch Boot
4	2800144	1	Relay, 50 Amp, 12V, SPDT
5	2800263	1	Relay Connector (5 Wire)

Optional Spot Light Assembly #6010112



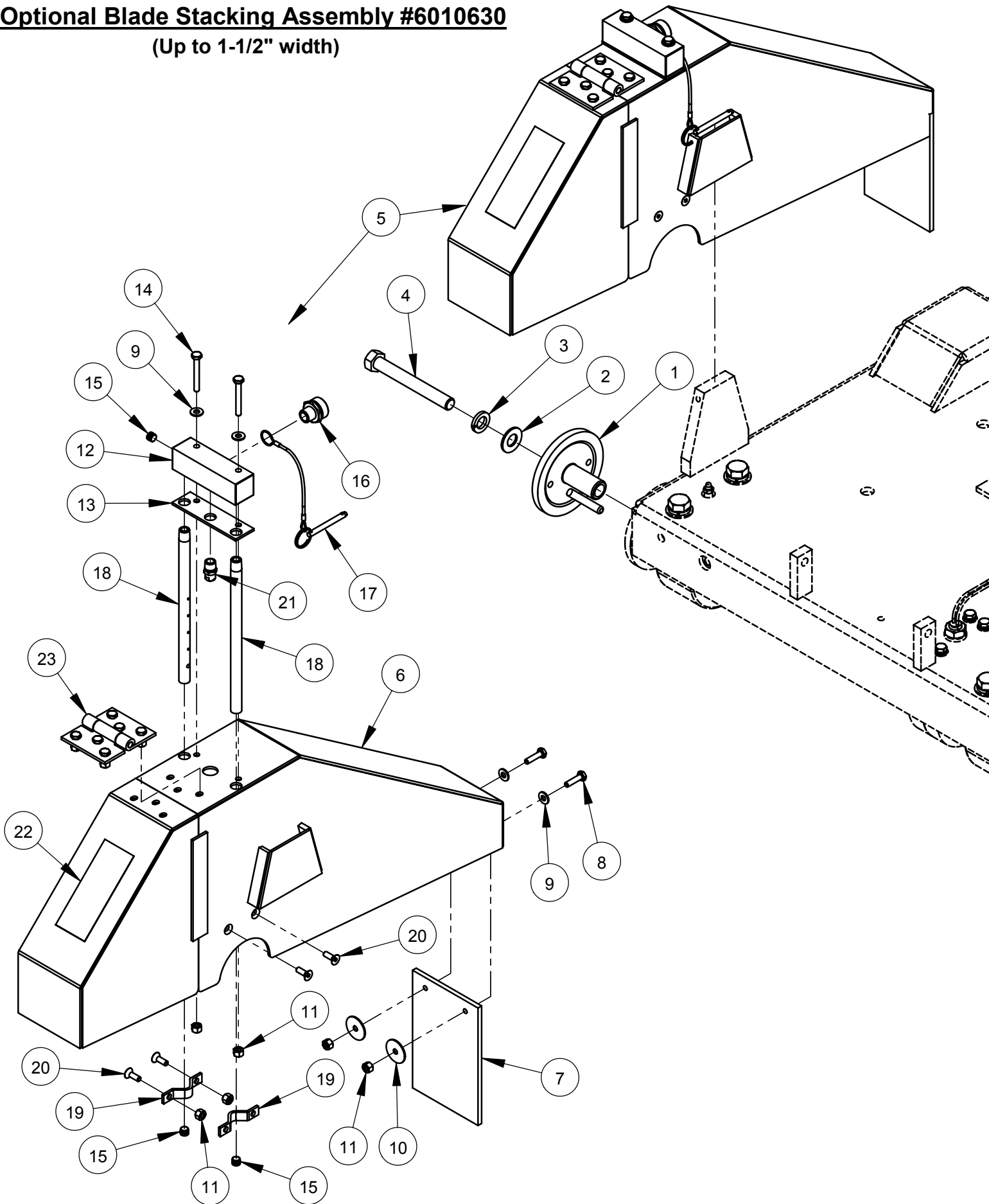
ITEM	PART NO.	QTY.	DESCRIPTION
1	2500194	1	Spot Light, 12 Volt
2	6010106	1	Light Bar
3	6010107	1	Light Bar Mount Bracket
4	2400157	2	Hand Lock Knob, 5/16-18 x 1"
5	2900144	2	Cap Screw, Hex Hd., 1/4-20 x 3/4"
6	2900010	2	Lock Nut, 1/4-20 Nylon
7	2800062	1	Toggle Switch On/Off
8	2800063	1	Toggle Switch Boot

Optional Lowering Speed Metering Valve Assembly #6010227



ITEM	PART NO.	QTY.	DESCRIPTION
1	3200211	1	Valve, 1/4" Metering
2	3200212	1	Panel Mounting Kit
3	3200057	2	Elbow, 1/4" M. Pipe to 1/4" M. JIC
4	3200115	1	Elbow, 3/8" O-Ring to 1/4" F. Pipe
5	3200213	2	Tee, 1/4" M. JIC to 1/4" M. Pipe
6	3200219	1	Adapter, 1/4" M. Pipe to 1/4" F. JIC
7	3200218	1	Check Valve
8	6010247	1	Hose Assembly, 8" Long
9	6010248	1	Hose Assembly, 20" Long

Optional Blade Stacking Assembly #6010630
(Up to 1-1/2" width)

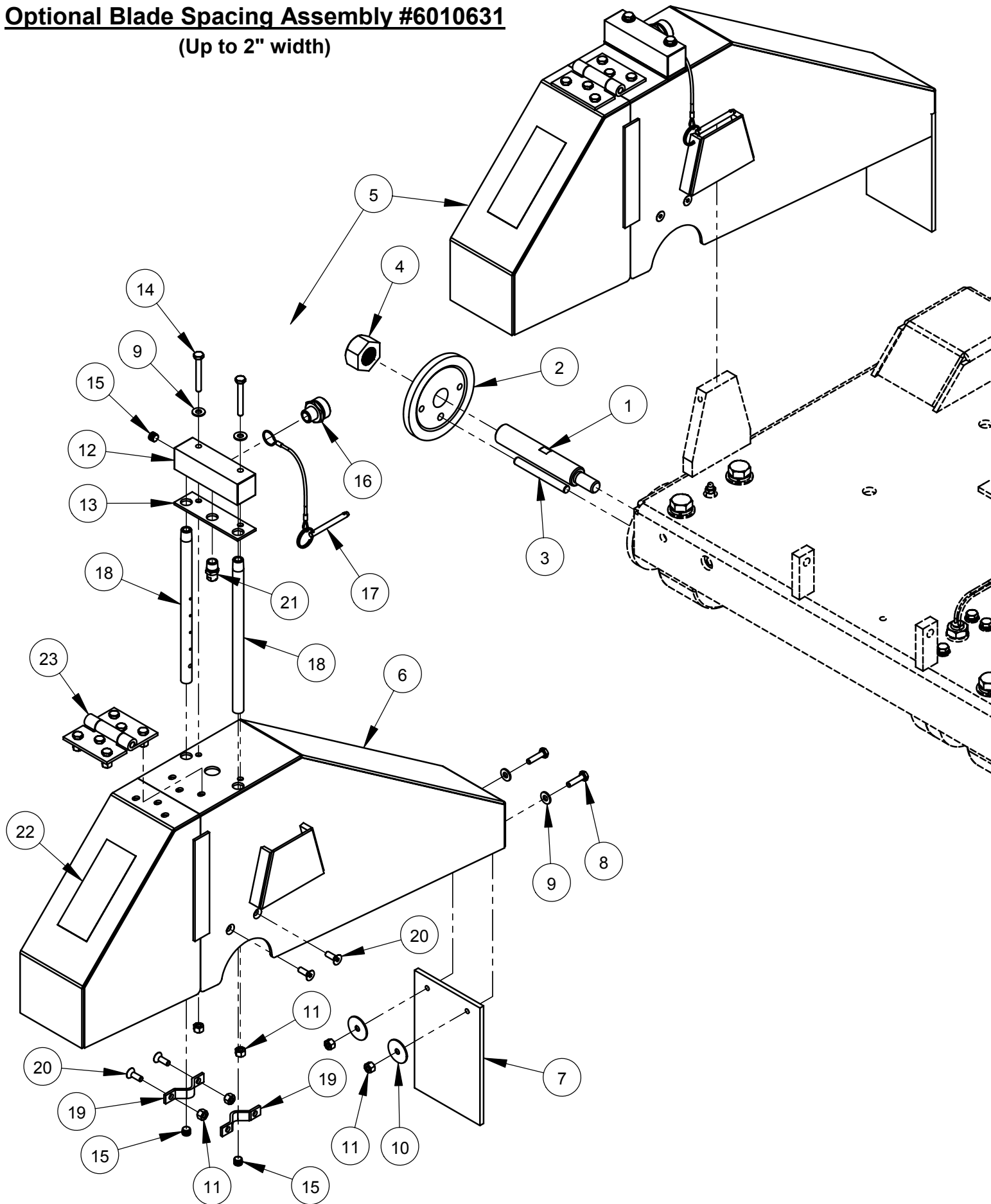


Optional Blade Stacking Assembly #6010630
(Up to 1-1/2" width)

ITEM	PART NO.	QTY.	DESCRIPTION
1	6010159	1	Outer Flange 4-1/2" with Pin
2	2900002	1	Flat Washer, 5/8" SAE
3	2900113	1	Lock Washer, 5/8" Split
4	2900210	1	Cap Screw, Hex Hd., 5/8"-11 x 5" LH
5	6010620	1	20" Wide Blade Guard Assembly

ITEM	PART NO.	QTY.	DESCRIPTION
6	6010621	1	20" Wide Blade Guard Front & Rear Only
7	6010296	1	Splash Flap
8	2900008	2	Cap Screw, Hex Hd., 1/4-20 x 1"
9	2900009	4	Flat Washer, 1/4" SAE
10	2900083	2	Fender Washer, 1/4" x 1-1/4"
11	2900010	8	Lock Nut, 1/4-20 Nylon
12	6010288	1	Water Manifold
13	2500988	1	Water Manifold Gasket
14	2900294	2	Cap Screw, Hex Hd., 1/4-20 x 2"
15	3200001	3	Plug, 1/8" NPT
16	3200002	1	Fitting, 3/8" M. Pipe to 3/4" M. Garden
17	2900278	1	Lanyard with Lock Pin
18	6010085	2	Water Tube for 20" Guard
19	6048155	2	Water Tube Clamp
20	2900020	4	Cap Screw, Flat Hd., 1/4-20 x 3/4"
21	3200208	1	Nozzle, 1/4" NPT
22	1800001	1	Warning Label
23	6010251	1	Hinge Assembly for 20" Guard

Optional Blade Spacing Assembly #6010631
(Up to 2" width)

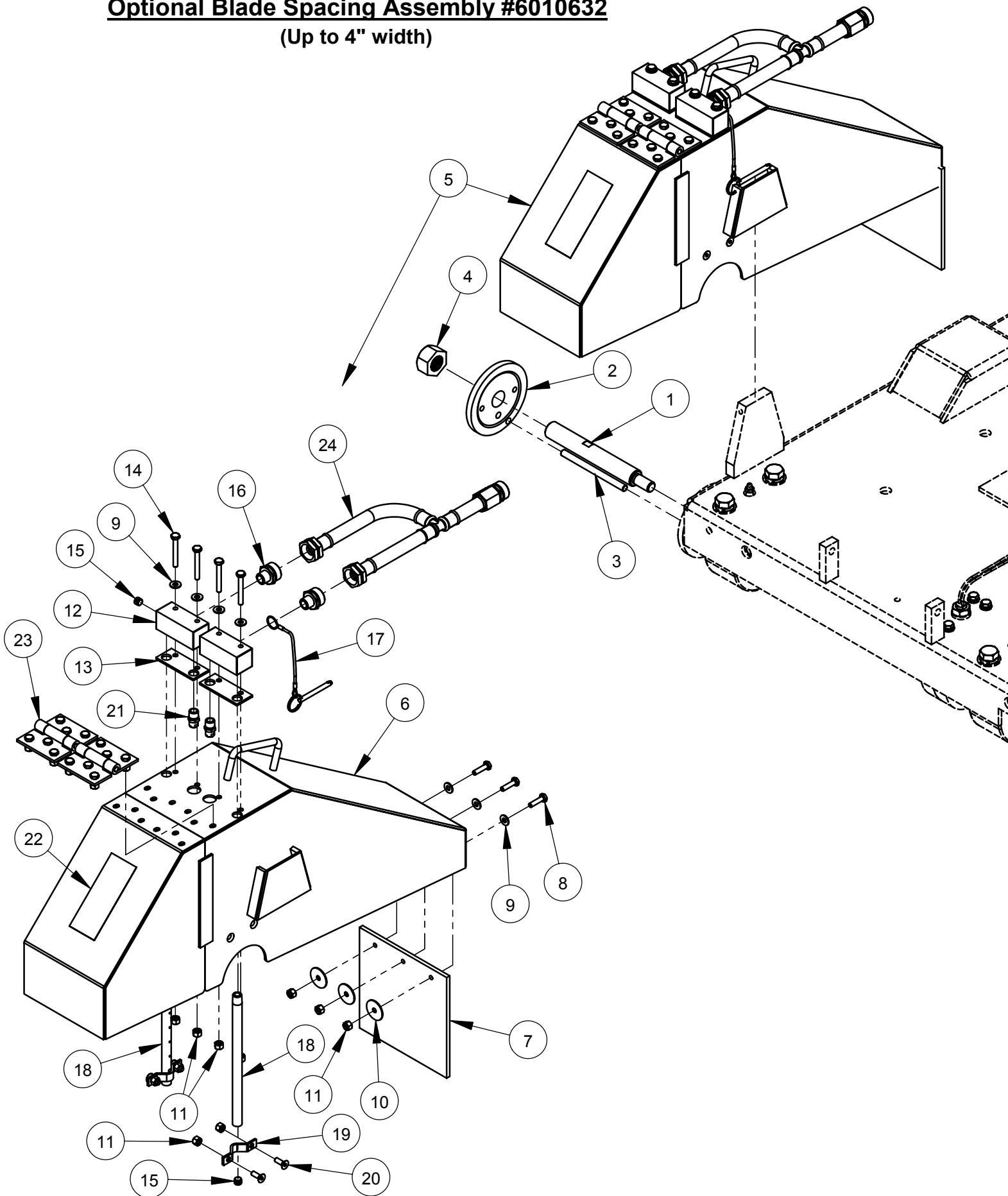


Optional Blade Spacing Assembly #6010631
(Up to 2" width)

ITEM	PART NO.	QTY.	DESCRIPTION
1	6010186	1	Blade Shaft Extension, Left Hand Thread
2	6010187	1	Outer Flange 4-1/2"
3	2900218	1	Dowel Pin, 3/8" Dia. x 3-1/2"
4	2900212	1	Hex Nut, 1"-14 Left Hand
5	6010620	1	20" Wide Blade Guard Assembly

ITEM	PART NO.	QTY.	DESCRIPTION
6	6010621	1	20" Wide Blade Guard Front & Rear Only
7	6010296	1	Splash Flap
8	2900008	2	Cap Screw, Hex Hd., 1/4-20 x 1"
9	2900009	4	Flat Washer, 1/4" SAE
10	2900083	2	Fender Washer, 1/4" x 1-1/4"
11	2900010	8	Lock Nut, 1/4-20 Nylon
12	6010288	1	Water Manifold
13	2500988	1	Water Manifold Gasket
14	2900294	2	Cap Screw, Hex Hd., 1/4-20 x 2"
15	3200001	3	Plug, 1/8" NPT
16	3200002	1	Fitting, 3/8" M. Pipe to 3/4" M. Garden
17	2900278	1	Lanyard with Lock Pin
18	6010085	2	Water Tube for 20" Guard
19	6048155	2	Water Tube Clamp
20	2900020	4	Cap Screw, Flat Hd., 1/4-20 x 3/4"
21	3200208	1	Nozzle, 1/4" NPT
22	1800001	1	Warning Label
23	6010251	1	Hinge Assembly for 20" Guard

Optional Blade Spacing Assembly #6010632
(Up to 4" width)



Optional Blade Spacing Assembly #6010632
(Up to 4" width)

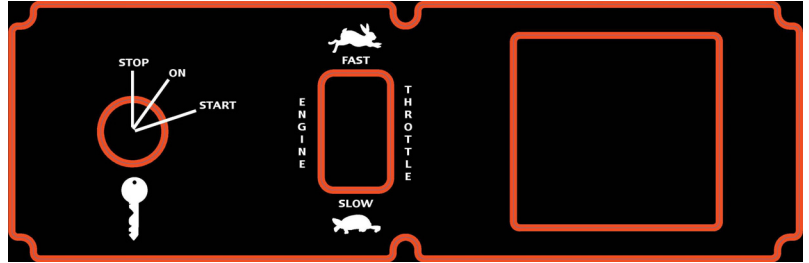
ITEM	PART NO.	QTY.	DESCRIPTION
1	6010309	1	Blade Shaft Extension, Left Hand Thread
2	6010187	1	Outer Flange 4-1/2"
3	6010359	1	Drive Pin, 3/8" Dia. x 5"
4	2900212	1	Hex Nut, 1"-14 Left Hand
5	6010622	1	20" Wide Blade Guard Assembly

ITEM	PART NO.	QTY.	DESCRIPTION
6	6010623	1	20" Wide Blade Guard Front & Rear Only
7	6010366	1	Splash Flap
8	2900008	3	Cap Screw, Hex Hd., 1/4-20 x 1"
9	2900009	7	Flat Washer, 1/4" SAE
10	2900083	3	Fender Washer, 1/4" x 1-1/4"
11	2900010	11	Lock Nut, 1/4-20 Nylon
12	6048123	2	Water Manifold
13	2500829	2	Water Manifold Gasket
14	2900294	4	Cap Screw, Hex Hd., 1/4-20 x 2"
15	3200001	4	Plug, 1/8" NPT
16	3200002	2	Fitting, 3/8" M. Pipe to 3/4" M. Garden
17	2900278	1	Lanyard with Lock Pin
18	6010085	2	Water Tube for 20" Guard
19	6048155	2	Water Tube Clamp
20	2900020	4	Cap Screw, Flat Hd., 1/4-20 x 3/4"
21	3200208	2	Nozzle, 1/4" NPT
22	1800001	1	Warning Label
23	6010251	2	Hinge Assembly for 20" Guard
24	6010588	1	Hose Assembly, Dual Inlet

Decal Group



#1802598 (QTY. 2)



#1802410

DIAMOND PRODUCTS CORE CUT Large Walk Behind Saw

Diamond Products Limited
800-321-5336 • www.diamondproducts.com

Made in the U.S.A.

SINGLE SPEED RPM CHART

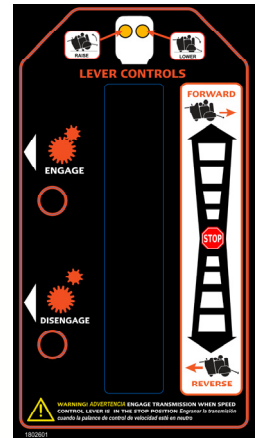
BLADE SIZE	BLADE RPM	BLADESHAFT SHEAVE	ENGINE SHEAVE	ENGINE RPM	BELT SIZE	FLANGE SIZE	MAX DEPTH OF CUT
14"	2,700	4"	4"	2,700	3VX570	4-1/2"	4-1/2"
20"	2,400	4-1/2"	4"	2,700	3VX580	4-1/2"	7-1/2"
26"	1,950	4-1/2"	4"	2,200	3VX580	4-1/2"	10-1/2"
30"	1,700	6"	4"	2,550	3VX600	6"	11-3/4"
36"	1,400	6"	4"	2,100	3VX600	6"	14-3/4"
42"	1,200	6"	4"	1,800	3VX600	6"	17-3/4"

WARNING! NEVER EXCEED THE MAXIMUM RPM STAMPED ON BLADE!
EXCESSIVE SPEED CAN CAUSE BLADE BREAKAGE RESULTING IN SERIOUS PERSONAL INJURY OR DEATH.

#1802600



#1802620



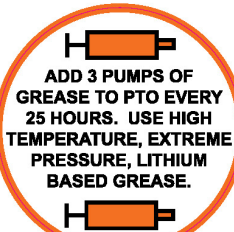
#1802601



1802111



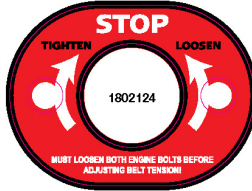
1802121



1800897



1802421



1802124



1802123



1802123



1802422



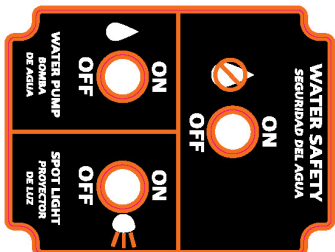
1802125



1802603



1802114



1802111



1802113



1802602



1802604



1802112

Blade Speed Conversion Charts

WARNING: Do not exceed blade speed (RPM) shown for each blade size.
Excessive blade speed could result in blade breakage and serious personal injury!

Blade Size	Blade Shaft		Engine		Max. Depth of Cut
	RPM	Sheave Size	RPM	Sheave Size	
14"	2,700	4"	2,700	4"	4-1/2"
20"	2,400	4.5"	2,700	4"	7-1/2"
26"	1,950	4.5"	2,200	4"	10-1/2"
30"	1,700	6"	2,550	4"	11-3/4"
36"	1,400	6"	2,100	4"	14-3/4"
42"	1,200	6"	1,800	4"	17-3/4"

WARNING: When changing blade size, use chart shown below for selecting items that must be changed.

Model CC6561	14"	20"	26"	30"	36"	42"
Blade Guard Assembly	6010950	6010952	6010954	6010956	6010958	9010960
Blade Shaft Sheave (Sheave Size)	6010658 (4")	6010545 (4.5")	6010545 (4.5")	6013046 (6")	6013046 (6")	6013046 (6")
Drive Belts (10) (Belt Size)	2503849 (3VX570)	2503683 (3VX580)	2503683 (3VX580)	2503684 (3VX600)	2503684 (3VX600)	2503684 (3VX600)
Inner Flanges (2) (Flange Size)	6010036 (4.5")	6010036 (4.5")	6010036 (4.5")	6010038 (6")	6010038 (6")	6010038 (6")
Outer Flanges (2) (Flange Size)	6010037 (4.5")	6010037 (4.5")	6010037 (4.5")	6010039 (6")	6010039 (6")	6010039 (6")
Skid Plate Mounting Holes	Bottom Set	Bottom Set	Bottom Set	Top Set	Top Set	Top Set

EQUIPMENT AND PARTS WARRANTY

Diamond Products warrants all equipment manufactured by it against defects in workmanship or materials for a period of one (1) year from the date of shipment to Customer.

The responsibility of Diamond Products under this Warranty is limited to replacement or repair of defective parts at Diamond Products' Elyria, Ohio factory, or at a point designated by it, of such parts as shall appear to us upon inspection at such parts, to have been defective in material or workmanship, with expense for transportation and labor borne by Customer.

In no event shall Diamond Products be liable for consequential or incidental damages arising out of the failure of any Product to operate properly.

Integral units such as engines, electric motors, batteries, transmissions, etc., are excluded from this Warranty and are subject to the prime manufacturer's warranty.

THIS WARRANTY IS IN LIEU OF ALL OTHER WARRANTIES, EXPRESSED OR IMPLIED, AND ALL SUCH OTHER WARRANTIES ARE HEREBY DISCLAIMED.



333 Prospect Street, Elyria, Ohio 44035
(440) 323-4616 • (800) 321-5336 • Fax (440) 323-8689
www.diamondproducts.com