








# CONCRETE SAW PARTS LIST

**MODEL  
CC6571-3**

October 2015

Part #1801999

CC6571-3 SPEED RPM CHART				
BLADE SIZE	BLADE RPM	GEAR POSITION	ENGINE RPM	MAX CUT DEPTH
14"	2,700	H (High)	2,700	3-3/4"
20"	2,550	H (High)	2,550	6-3/4"
26"	1,775	M (Medium)	2,700	9-3/4"
30"	1,675	M (Medium)	2,550	11-3/4"
36"	1,175	L (Low)	2,700	14-3/4"
42"	1,100	L (Low)	2,550	17-3/4"
				

**WARNING! NEVER EXCEED THE MAXIMUM RPM STAMPED ON BLADE!**  
EXCESSIVE SPEED CAN CAUSE BLADE BREAKAGE RESULTING IN SERIOUS PERSONAL INJURY OR DEATH.

**⚠ WARNING**

- Always check the bladeshaft RPM before mounting blade.
- Only use blades with a rated speed higher than the bladeshaft speed.
- Never exceed the maximum RPM stamped on blade. Overspeeding the blade can cause blade breakage and serious personal injury.
- When changing blade size, always adjust bladeshaft RPM according to the speed chart to match recommended blade RPM.
- Do not use a blade flange size smaller than indicated for each blade.
- Never operate saw without the blade guard in place or allow rotating blade exposure to exceed 180 degrees.
- Never stand in line with the blade path when starting or operating saw.
- Never use damaged blades or equipment.
- Refer to operator's manual for additional information about safety, operation and maintenance.

**⚠ ADVERTENCIA**

- Asegúrese de verificar la velocidad en RPM del eje de la hoja de sierra antes de montar la hoja.
- Use solamente hojas de sierras cuyas velocidades de operación fueron establecidas para velocidades superiores a las velocidades del eje de hoja.
- Nunca exceda la velocidad de operación máxima en RPM estampada en la hoja de sierra. Operar la hoja a una velocidad superior a la establecida puede causar la rotura de la hoja y serias lesiones corporales.
- Cuando cambie el tamaño de la hoja de sierra, asegúrese de ajustar la velocidad en RPM del eje de hoja de acuerdo con la velocidad mencionada en la tabla para que concuerde con la velocidad en RPM establecida para la hoja de sierra.
- No utilice un tamaño más pequeño de pestillos de hoja de sierra que el indicado en cada hoja de sierra.
- Nunca opere la sierra sin haber colocado los protectores en sus lugares correspondientes ni permita que la parte expuesta de la hoja de sierra en rotación exceda los 180 grados.
- No se coloque en la misma dirección que va la hoja de la sierra al arrancar la sierra o cuando esté operando la sierra.
- Nunca use equipos ni hojas de sierras que están dañados.
- Para obtener más información sobre la seguridad de operación, funcionamiento y mantenimiento del equipo, lea el manual del operador.

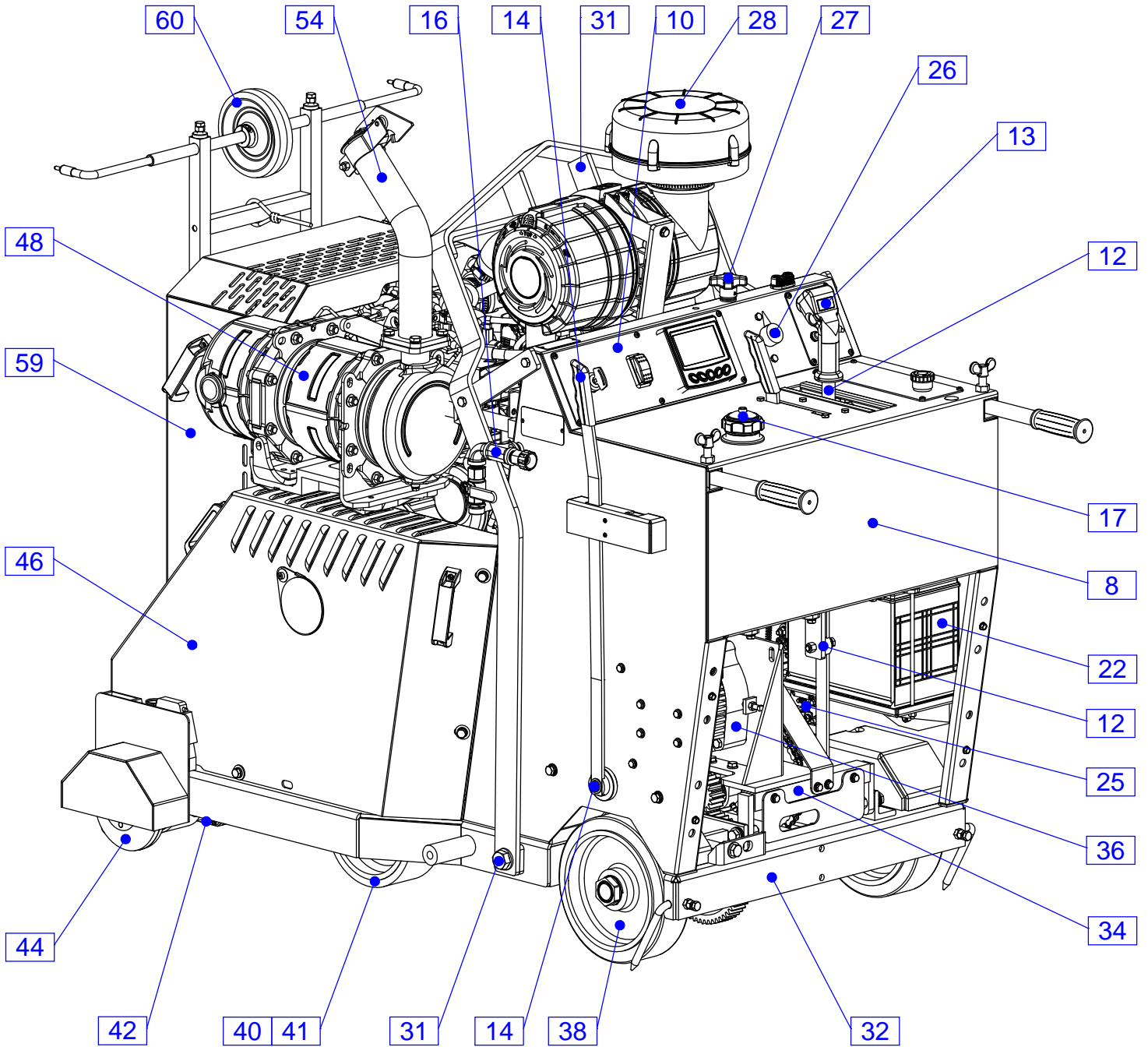
**⚠ WARNING ⚠**

**The engine exhaust from this product contains chemicals known to the State of California to cause cancer, birth defects or other reproductive harm.**

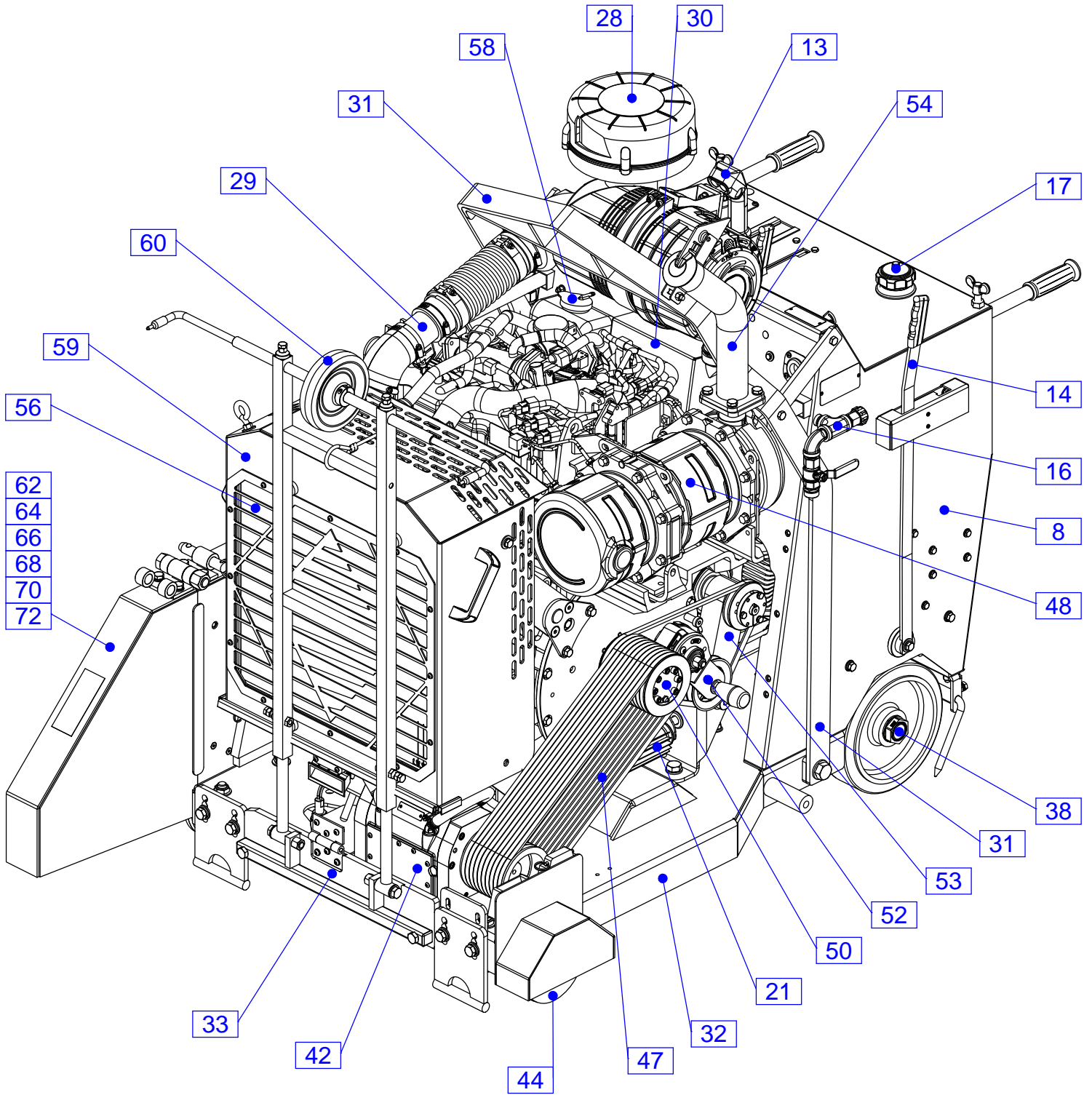
## Table of Contents

Pictorial Index.....	4,5	3 Speed Transmission Assembly.....	42,43
Controls Legend.....	6	3 Speed Blade Shaft Assembly.....	44
Quick Reference Service Filters / Belts.....	7	Belt Tensioner Assembly.....	45
Frame Upright Assembly.....	8,9	Belt Guard Assembly.....	46
Instrument Panel Assembly.....	10,11	Belt Drive Assembly.....	47
Control Lever Assembly.....	12	Engine Assembly.....	48,49
Control Grip Assembly.....	13	PTO Assembly.....	50,51
Parking Brake Assembly.....	14,15	Rotary Tensioner Assembly.....	52
Water Supply Assembly.....	16,17	Transmission Jackshaft Assembly.....	53
Fuel Supply Assembly.....	18,19	Exhaust Pipe Assembly.....	54
Fuel Tank Assembly.....	20	Clutch Fan Drive Assembly.....	55
Fuel Cooler Assembly.....	21	Radiator Assembly.....	56,57
Battery Assembly.....	22,23	Coolant Tank Assembly.....	58
Hydraulic Pump Assembly.....	24	Radiator Shroud Assembly.....	59
Breaker Panel Assembly.....	25	Dual Front Pointer Assembly.....	60
Depth Indicator Assembly.....	26	14" Blade Guard Assembly.....	62,63
Depth Stop Assembly.....	27	20" Blade Guard Assembly.....	64,65
Air Cleaner Assembly.....	28	26" Blade Guard Assembly.....	66,67
Air Intake Assembly.....	29	30" Blade Guard Assembly.....	68,69
ECU Assembly.....	30	36" Blade Guard Assembly.....	70,71
Frame Lift Assembly.....	31	42" Blade Guard Assembly.....	72,73
Frame Base Assembly.....	32	Optional Water Pump Assembly.....	74
Access Door Assembly.....	33	Optional Water Safety Switch Assembly.....	75
Rear Drive Assembly.....	34,35	Optional Spot Light Assembly.....	76
Eaton Transmission Assembly.....	36	Optional Speed Metering Valve Assembly.....	77
Linkage Assembly.....	37	Optional Blade Stacking Assembly.....	78,79
Rear Axle Assembly.....	38	Optional Blade Spacing Assembly.....	80,81
Hydraulic Cylinder Assembly.....	39	Optional Blade Spacing Assembly.....	82,83
Front Axle Assembly.....	40	Notes.....	84-86
Front Wheel Assembly.....	41	Decal Group.....	87
		Warranty.....	88

# Pictorial Page Index



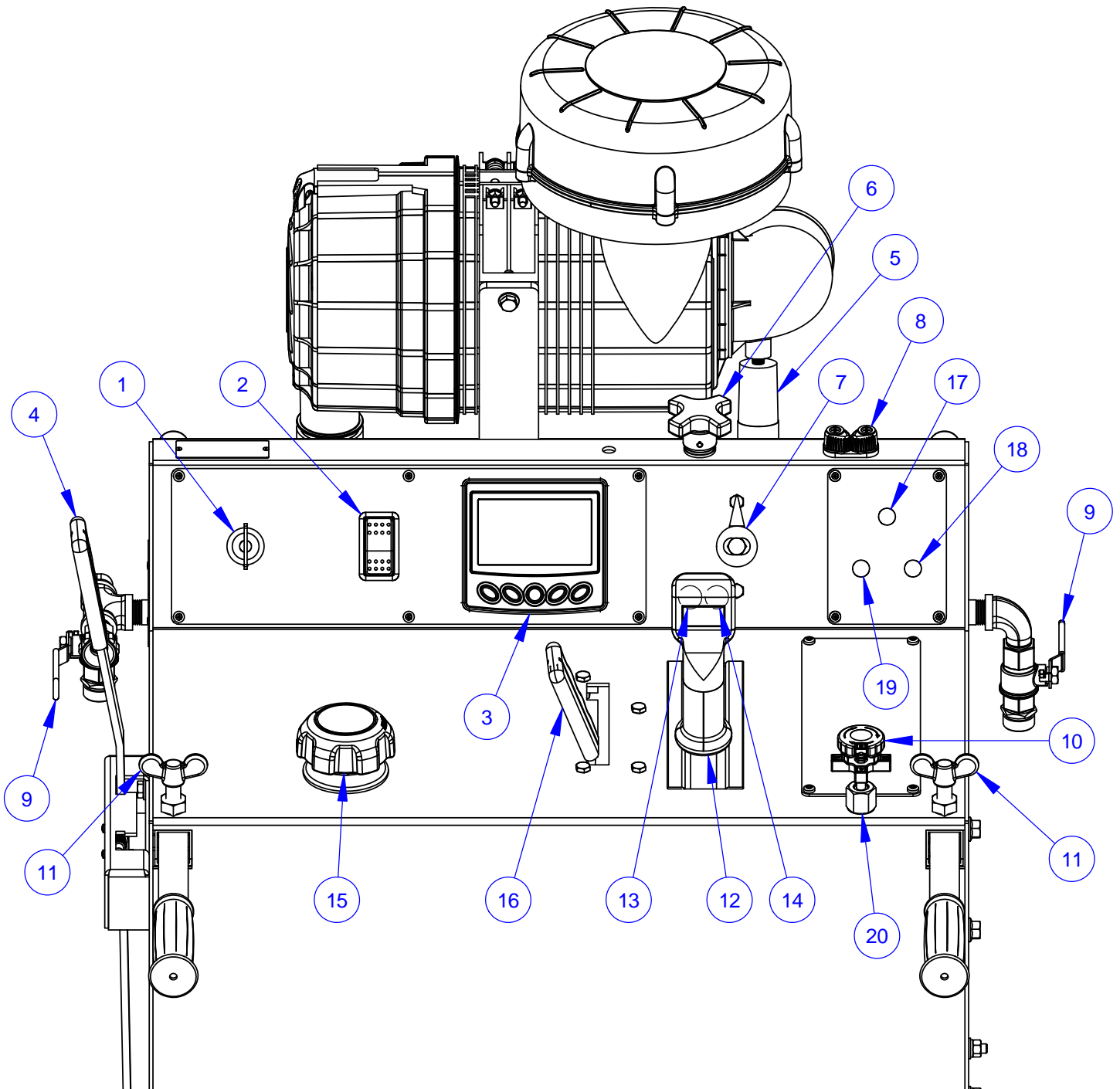
# Pictorial Page Index



## Controls Legend

1	Ignition Switch
2	Engine Throttle Rocker Switch
3	Engine Display Panel
4	Parking Brake Lever
5	Air Cleaner Restriction Indicator
6	Depth Stop Knob
7	Cutting Depth Indicator
8	Pointer Rope Cleat
9	Water Valve
10	Emergency Stop Button

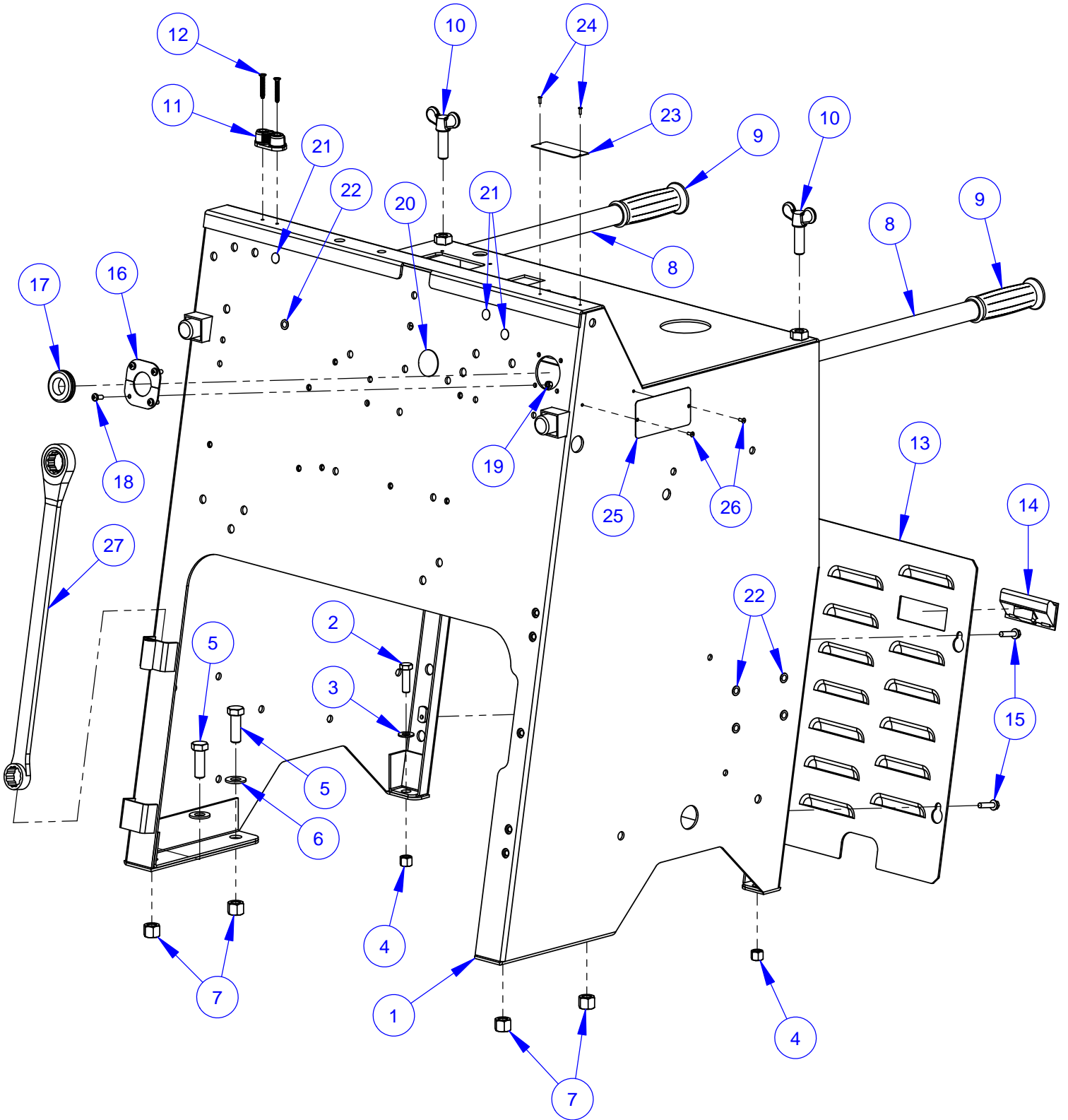
11	Handle Bar Lock Knobs
12	Travel Speed Control Lever
13	Saw Raise Push Button
14	Saw Lower Push Button
15	Fuel Filler / Gauge Cap
16	Transmission Engagement Lever
17	Water Safety Switch (Optional)
18	Spot Light Switch (Optional)
19	Water Pump Switch (Optional)
20	Lowering Speed Valve (Optional)



## Quick Reference Service Filters / Belts / Fluids

<b>DP Part No.</b>	<b>Description</b>	<b>Manufacturer's Part No.</b>
2705216	Engine Oil Filter	Kubota #HH164-32430
2705215	Engine Fuel Filter	Kubota #1G390-43170
2705214	Water Separator Filter	Kubota #1J430-43060
2501352	Outer Primary Air Filter	Donaldson #P828889
2501353	Inner Safety Air Filter	Donaldson #P829333
2503849	Blade Shaft Belt	Gates #3VX570
2503683	Blade Shaft Belt	Gates #3VX580
2503684	Blade Shaft Belt	Gates #3VX600
2500792	Engine to Jackshaft Belt	Gates #3VX400
2503679	Eaton Transmission Belt	Gates #AX37
2500468	Engine Oil (10 Quarts)	SAE 15W-40 (API CJ-4)
2503719	Engine Coolant (3 Gallons)	Antifreeze (Pre-mixed)
2500219	Blade Shaft Fluid (2.5 Quarts)	Automatic Transmission Fluid (ATF)
2500219	Lift Pump Fluid (1.5 Quarts)	Automatic Transmission Fluid (ATF)

# Frame Upright Assembly #6019200B

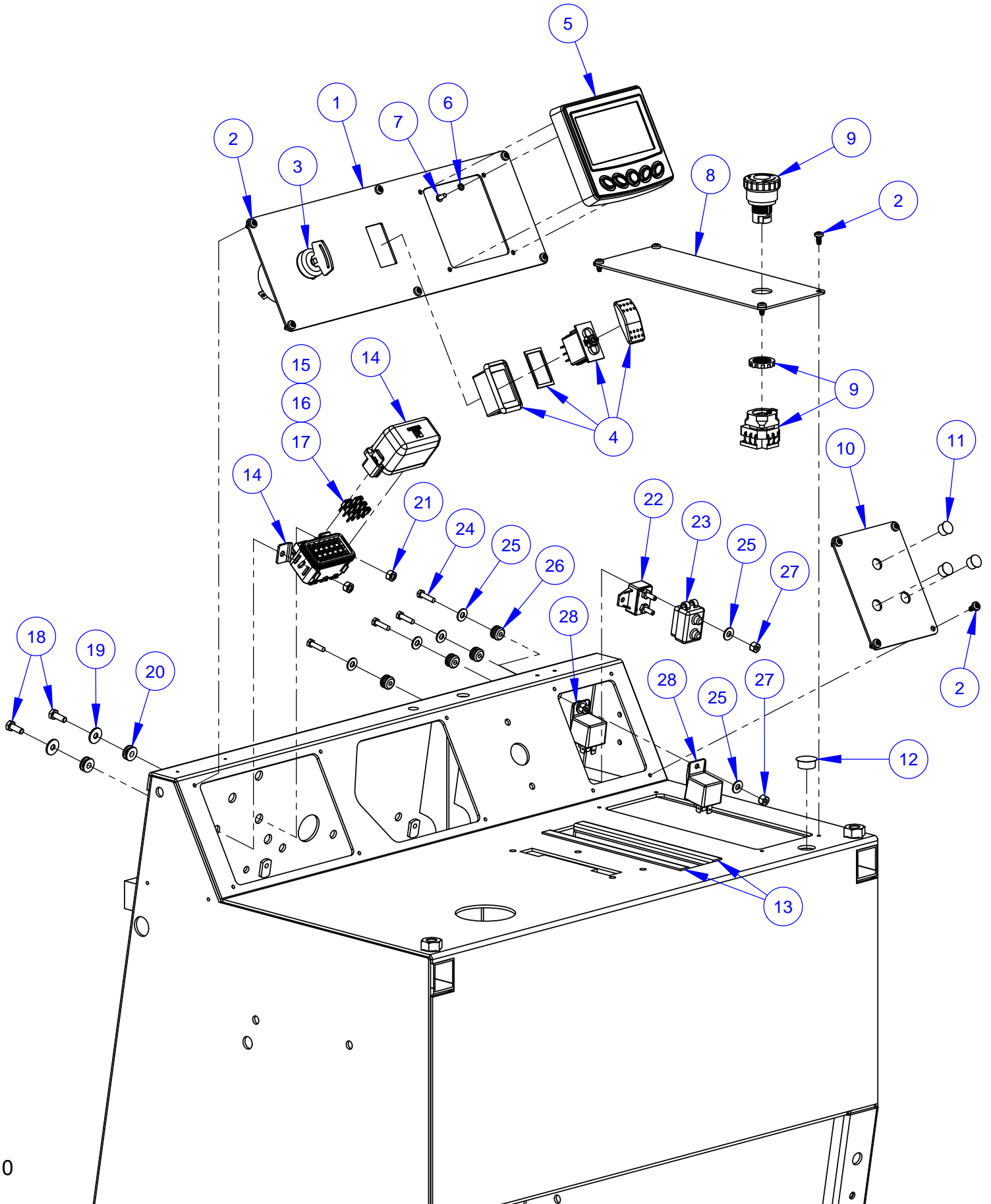




## Frame Upright Assembly #6019200B

ITEM	PART NO.	QTY.	DESCRIPTION
1	6010687	1	Frame Upright Weldment
2	2900013	2	Cap Screw, Hex Hd., 3/8-16 x 1-1/4"
3	2900014	2	Flat Washer, 3/8" SAE
4	2900018	2	Locknut, 3/8-16, Nylon
5	2900499	4	Cap Screw, Hex Hd., 1/2-13 x 1-1/2"
6	2900058	4	Flat Washer, 1/2" SAE
7	2900026	4	Lock Nut, 1/2-13 Nylon
8	6010014	2	Handle Bar, 36" Long
9	2500636	2	Handle Grip
10	2900430	2	Hand Lock Knob, 1/2-13 x 1-1/2"
11	2501427	1	Rope Cleat
12	2900483	2	Tap Screw, Flat Hd., #10-24 x 1-1/4"
13	6010015	1	Rear Cover Screen
14	2503687	2	Pocket Pull Handle
15	2900180	4	Cap Screw, Hex Flange Hd., 1/4-20 x 1"
16	6019271	2	Split Grommet Plate
17	2506039	1	Grommet, 7/8" I.D.
18	2900794	4	Machine Screw, Pan Hd., M5-0.8 x 12mm
19	2900301	4	Lock Nut, M5-0.8 Nylon Insert
20	2501146	1	Plug, 1-1/4" Hole
21	2501287	3	Plug, 7/16" Hole
22	2503749	5	Plug, 5/16" Hole (Tapered)
23	1800169	1	Serial Number Plate, US
24	2900096	2	Rivet, 3/32" Dia.
25	1800377	1	Serial Number Plate, CE
26	2900287	2	Rivet, 1/8" Dia.
27	2503972	1	Wrench, Ratcheting 15/16" XL

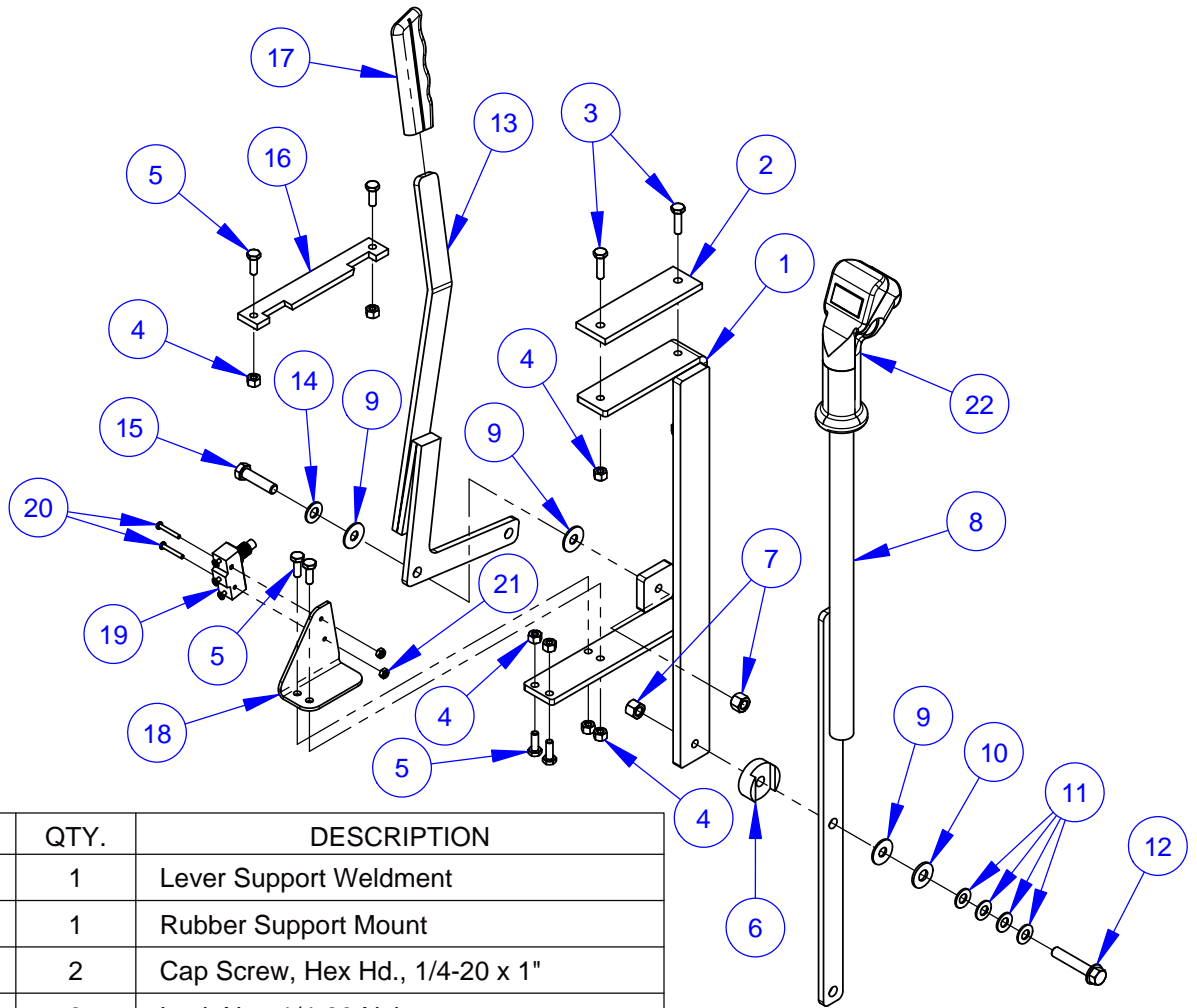
# Instrument Panel Assembly #6019201



## **Instrument Panel Assembly #6019201**

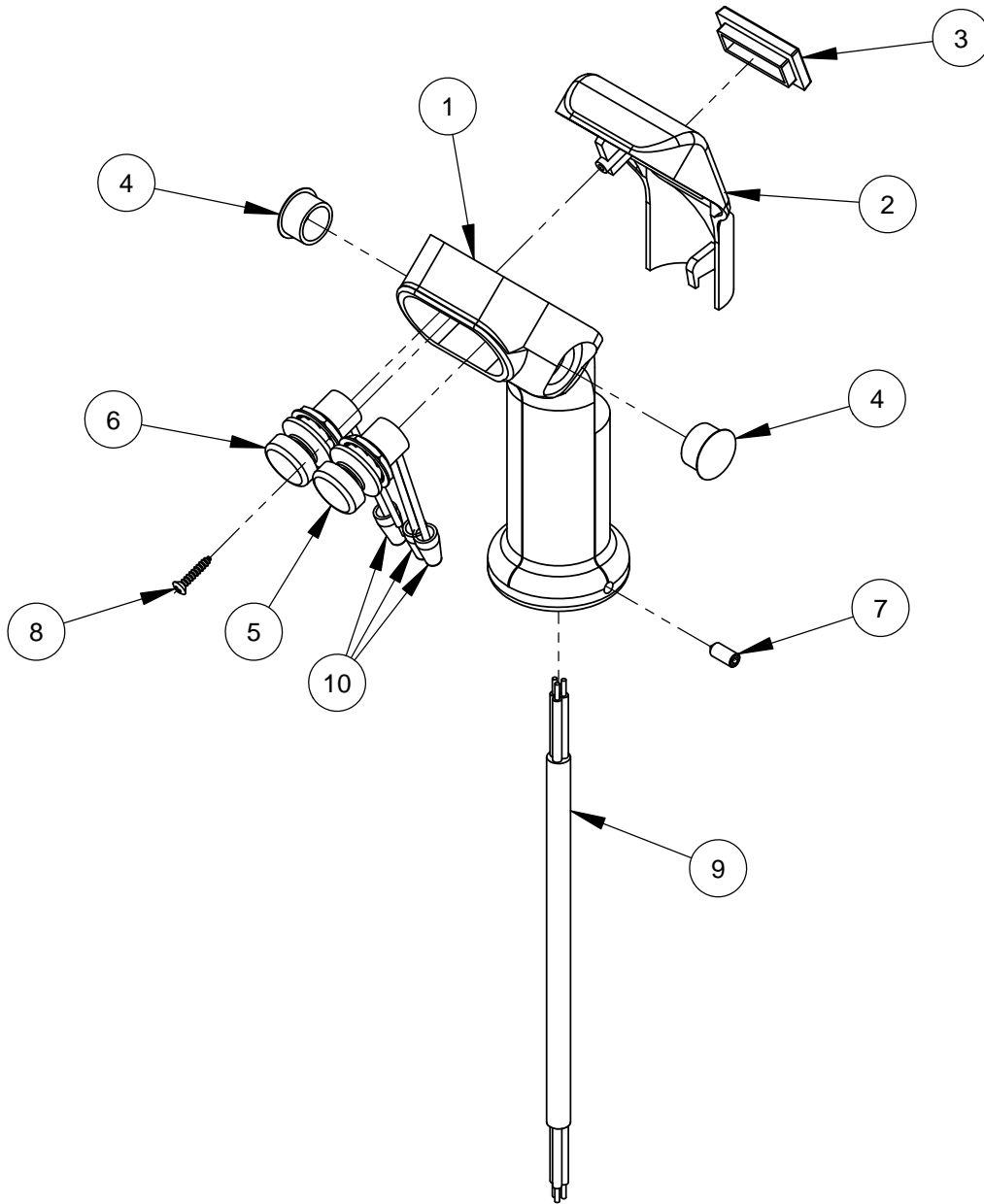
ITEM	PART NO.	QTY.	DESCRIPTION
1	6019244	1	Instrument Panel
2	2900021	14	Tap Screw, Pan Hd., #10-24 x 3/8"
3	2705001	1	Ignition Switch & Keys
	2705000	1	Ignition Keys Only (Pair)
4	6019158	1	Rocker Switch Assembly
	2800258	1	Rocker Switch Body
	2800259	1	Rocker Switch Actuator
	2800260	1	Rocker Mount Panel
	2800261	1	Rocker Panel Gasket
5	2801040	1	Murphy Display
6	2900677	4	Lock Washer, #8 Split
7	2900114	4	Machine Screw, Rd. Hd., #8-32 x 3/8"
8	6010019	1	Hydraulic Pump Cover Plate
9	2801367	1	E-Stop Switch
10	6010098	1	Switch Plate
11	2500204	3	Plug, 1/2" Hole
12	2500463	1	Plug, 3/4" Hole
13	6010101	2	Edge Trim 8-1/2"
14	6019159	1	Fuse Block Assembly
	2801271	1	Fuse Block Base
	2801272	1	Fuse Block Cover
	2801273	1	Fuse Block Seal
	2801274	3	Fuse Block TPA
	2801275	1	Fuse Block Bracket
15	2801489	4	Fuse, 5 Amp Mini (Tan)
16	2801590	1	Fuse, 20 Amp Mini (Yellow)
17	2801597	1	Fuse, 30 Amp Mini (Green)
18	2900341	2	Cap Screw, Hex Hd., M6-1.0 x 16mm
19	2901359	2	Fender Washer, M6
20	3201925	2	Grommet, 1/4" I.D.
21	2900302	2	Lock Nut, M6-1.0 Nylon Insert
22	2801276	1	Circuit Breaker, 50 Amp
23	2800364	1	Circuit Breaker Boot
24	2900015	4	Machine Screw, Hex Hd., #10-24 x 3/4"
25	2900016	8	Flat Washer, #10 USS
26	2506028	4	Grommet, 3/16" I.D.
27	2900017	4	Lock Nut, #10-24 Nylon
28	2800144	3	Relay, 50 Amp, 12V, SPDT

## Control Lever Assembly #6010719B



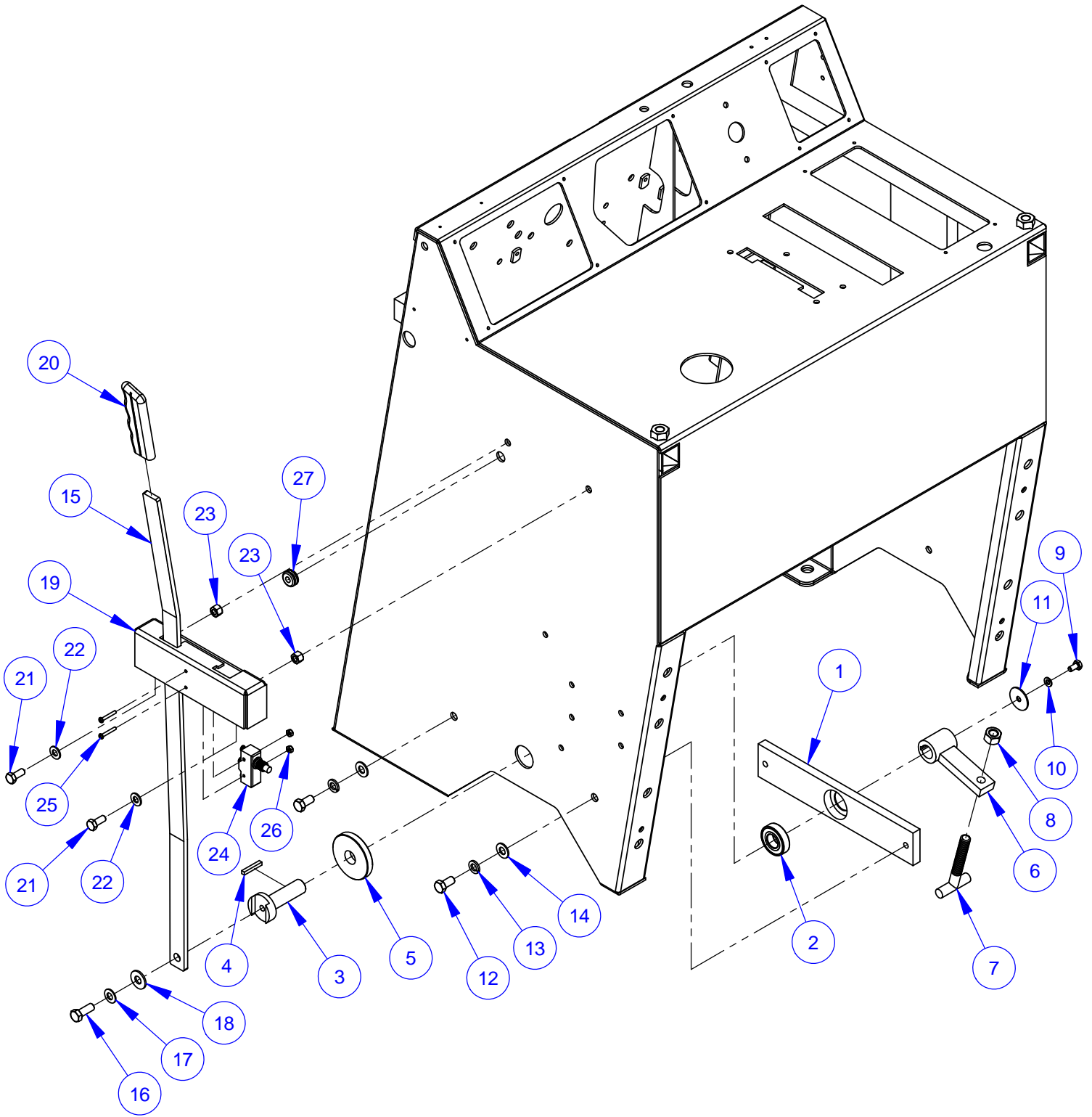
ITEM	PART NO.	QTY.	DESCRIPTION
1	6010056	1	Lever Support Weldment
2	2501339	1	Rubber Support Mount
3	2900008	2	Cap Screw, Hex Hd., 1/4-20 x 1"
4	2900010	8	Lock Nut, 1/4-20 Nylon
5	2900144	6	Cap Screw, Hex Hd., 1/4-20 x 3/4"
6	6010055	1	Friction Spacer
7	2900018	2	Locknut, 3/8-16, Nylon
8	6010314	1	Speed Control Lever
9	2900153	3	Friction Washer, 3/8"
10	2900473	1	Flat Washer, 3/8" USS
11	2900474	4	Belleville Washer, 3/8"
12	2900472	1	Cap Screw, Hex Flange Hd., 3/8-16 x 2"
13	6010057	1	Engagement Lever Weldment
14	2900014	1	Flat Washer, 3/8" SAE
15	2900029	1	Cap Screw, Hex Hd., 3/8-16 x 1-1/2"
16	6010058	1	Gate Plate
17	2500002	1	Lever Grip
18	6019256	1	Switch Bracket
19	2800926	1	Door Interlock Switch
20	2900532	2	Machine Screw, Pan Hd., #6-32 x 1"
21	2901325	2	Lock Nut, #6-32 Nylon
22	6010319	1	Control Grip Assembly

## Control Grip Assembly #6010319



ITEM	PART NO.	QTY.	DESCRIPTION
1	2501280	1	Control Grip Body
2	2501281	1	Control Grip Cover
3	2500644	1	Plug, Rectangular
4	2500694	2	Plug, 5/8" Hole
5	2800372	1	Pushbutton Switch (B&G)
6	2800373	1	Pushbutton Switch (B&W)
7	2900453	1	Set Screw, Soc. Hd., M5-0.8 x 12mm
8	2900452	1	Machine Screw, Oval Hd., #4 x 5/8"
9	2800393	1	Harness, Hydraulic Pump
10	2800002	3	Wire Nut, 22-16 Gage

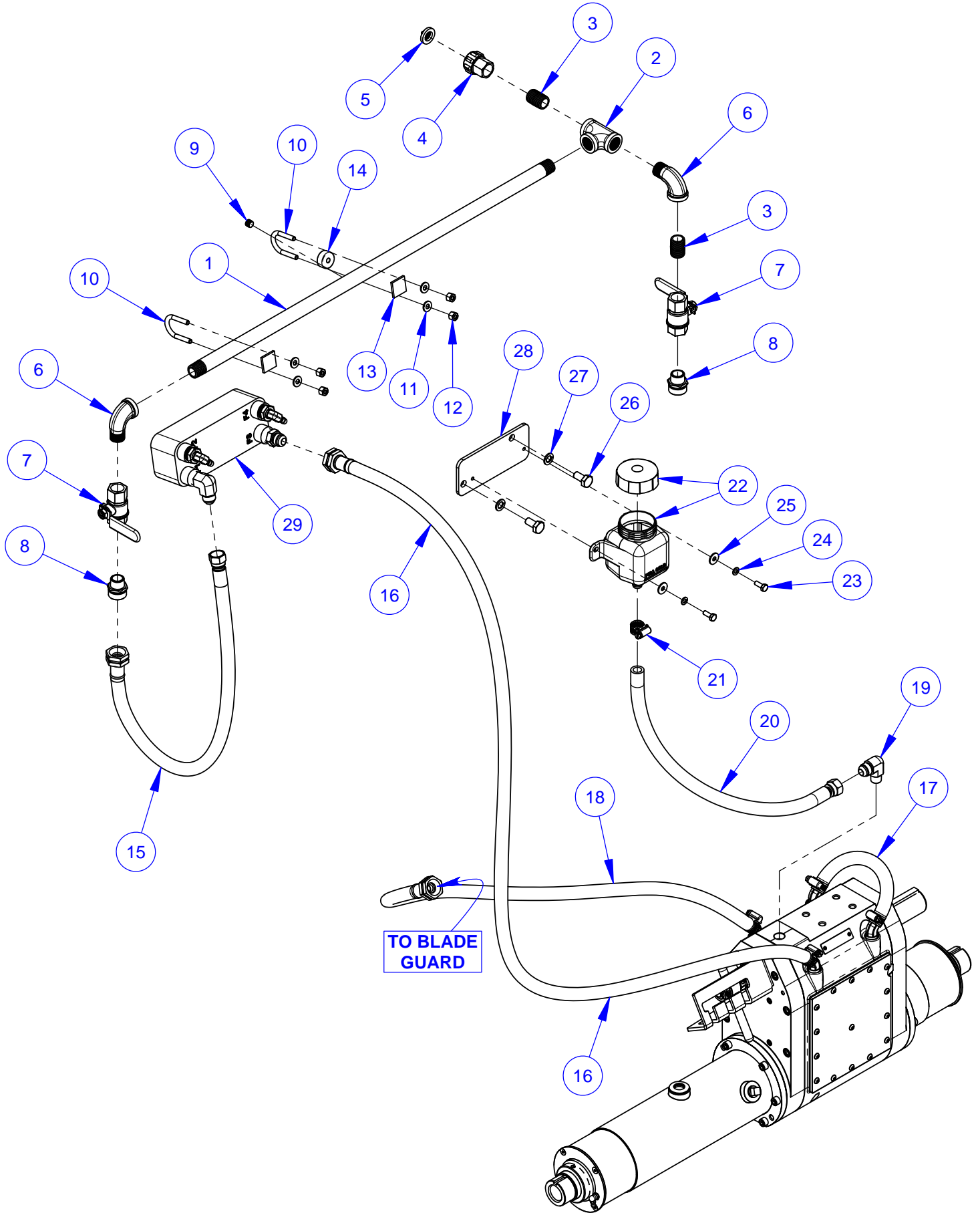
# Parking Brake Assembly #6011228B



## **Parking Brake Assembly #6011228B**

ITEM	PART NO.	QTY.	DESCRIPTION
1	6011229	1	Bearing Housing Bar
2	2501664	1	Ball Bearing, 3/4" x 1-5/8" x 7/16"
3	6011230	1	Pivot Pin
4	6048229	1	Key, 3/16" Sq. x 1-1/4"
5	6011234	1	Friction Disc, 3/4" x 2-1/2" x 3/8"
6	6011231	1	Pivot Arm
7	2900632	1	T-Bolt, 1/2-13
8	2900037	1	Hex Nut, 1/2-13
9	2900082	1	Cap Screw, Hex Hd., 1/4-20 x 1/2"
10	2900024	1	Lock Washer, 1/4" Split
11	2900083	1	Fender Washer, 1/4" x 1-1/4"
12	2900196	2	Cap Screw, Hex Hd., 3/8-16 x 3/4"
13	2900006	2	Lock Washer, 3/8" Split
14	2900014	2	Flat Washer, 3/8" SAE
15	6011232	1	Brake Lever
16	2900005	1	Cap Screw, Hex Hd., 3/8-16 x 1"
17	2900474	1	Belleville Washer, 3/8"
18	2900473	1	Flat Washer, 3/8" USS
19	6011233	1	Lever Gate
20	2500002	1	Lever Grip
21	2900019	2	Cap Screw, Hex Hd., 5/16-18 x 3/4"
22	2900022	2	Flat Washer, 5/16" SAE
23	2900039	2	Lock Nut, 5/16-18 Nylon
24	2800926	1	Door Interlock Switch
25	2900532	2	Machine Screw, Pan Hd., #6-32 x 1"
26	2901325	2	Lock Nut, #6-32 Nylon
27	2506011	1	Grommet, 5/16" I.D.

# Water Supply Assembly #6019223

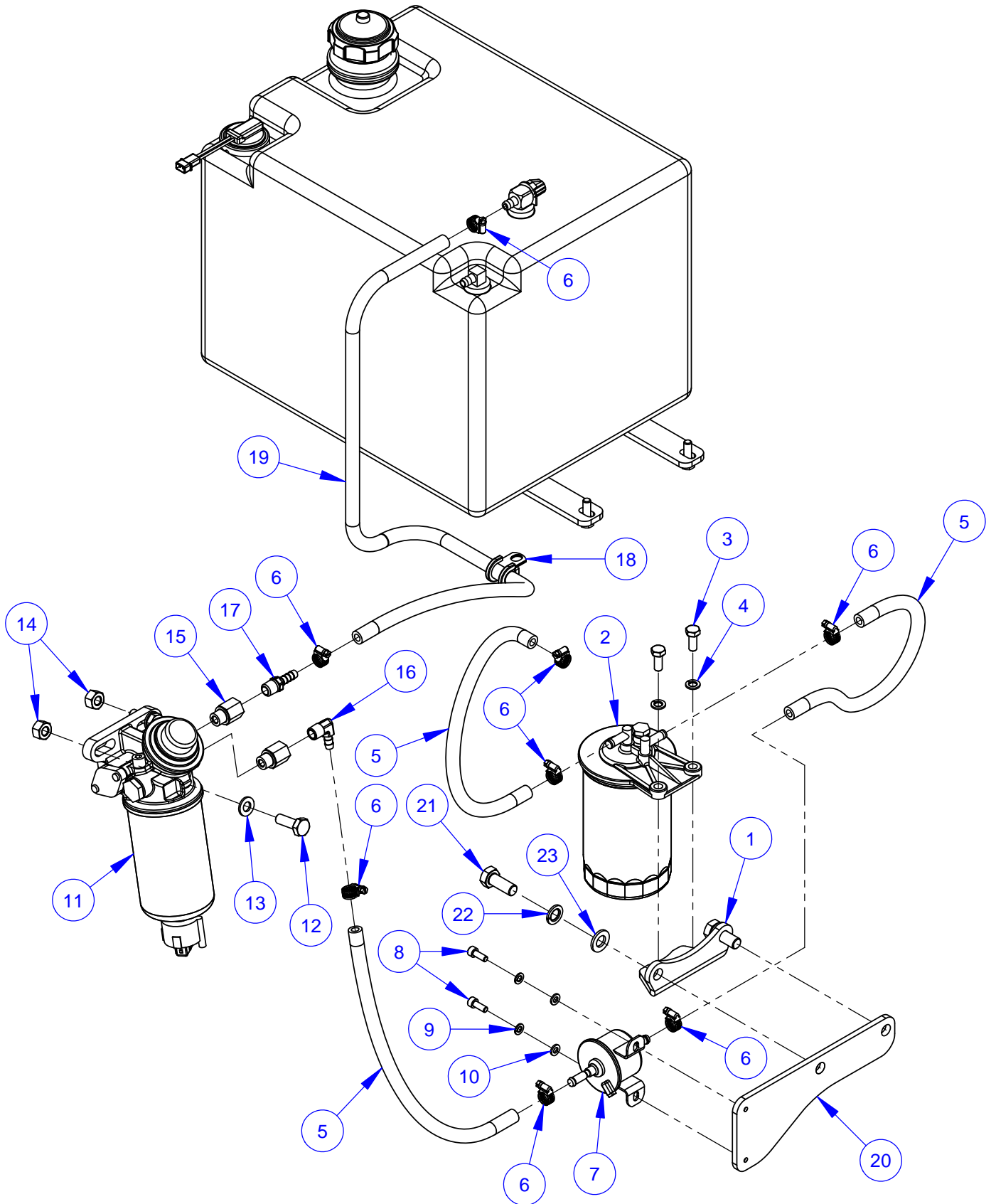




## Water Supply Assembly #6019223

ITEM	PART NO.	QTY.	DESCRIPTION
1	6090069	1	Water Supply Tube
2	3200045	1	Pipe Tee, 1/2" NPT
3	3200008	2	Close Nipple, 1/2" NPT
4	3200022	1	Fitting, 1/2" F. Pipe to 3/4" F. Garden
5	3200025	1	Hose Filter Washer
6	3200013	2	Street Elbow, 1/2" NPT
7	3200027	2	Water Valve
8	3200155	2	Fitting, 1/2" M. Pipe to 3/4" M. Garden
9	3200001	1	Plug, 1/8" NPT
10	2900241	2	U-Bolt, 1/2" Pipe
11	2900009	4	Flat Washer, 1/4" SAE
12	2900010	4	Lock Nut, 1/4-20 Nylon
13	6011547	2	Rubber Cushion
14	2400169	1	Knob Gasket
15	6019281	1	Water Hose Assembly 48"
16	6019134	1	Water Hose Assembly, 72" Long
17	6019135	1	Water Hose Assembly, 10" Long
18	6019136	1	Water Hose Assembly, 84" Long
19	3201886	1	Elbow, 1/2" M. JIC to 3/8" M. Pipe
20	6019145	1	Vent Hose Assembly, 20" Long
21	3200016	1	Hose Clamp #8
22	2502039	1	Expansion Tank & Cap
23	2900341	2	Cap Screw, Hex Hd., M6-1.0 x 16mm
24	2900765	2	Lock Washer, M6 Split
25	2901359	2	Fender Washer, M6
26	2901021	2	Cap Screw, Hex Hd., M10-1.25 x 20mm
27	2900321	2	Lock Washer, M10 Split
28	6019144	1	Tank Mount Plate
29	6019222	1	Fuel Cooler Assembly

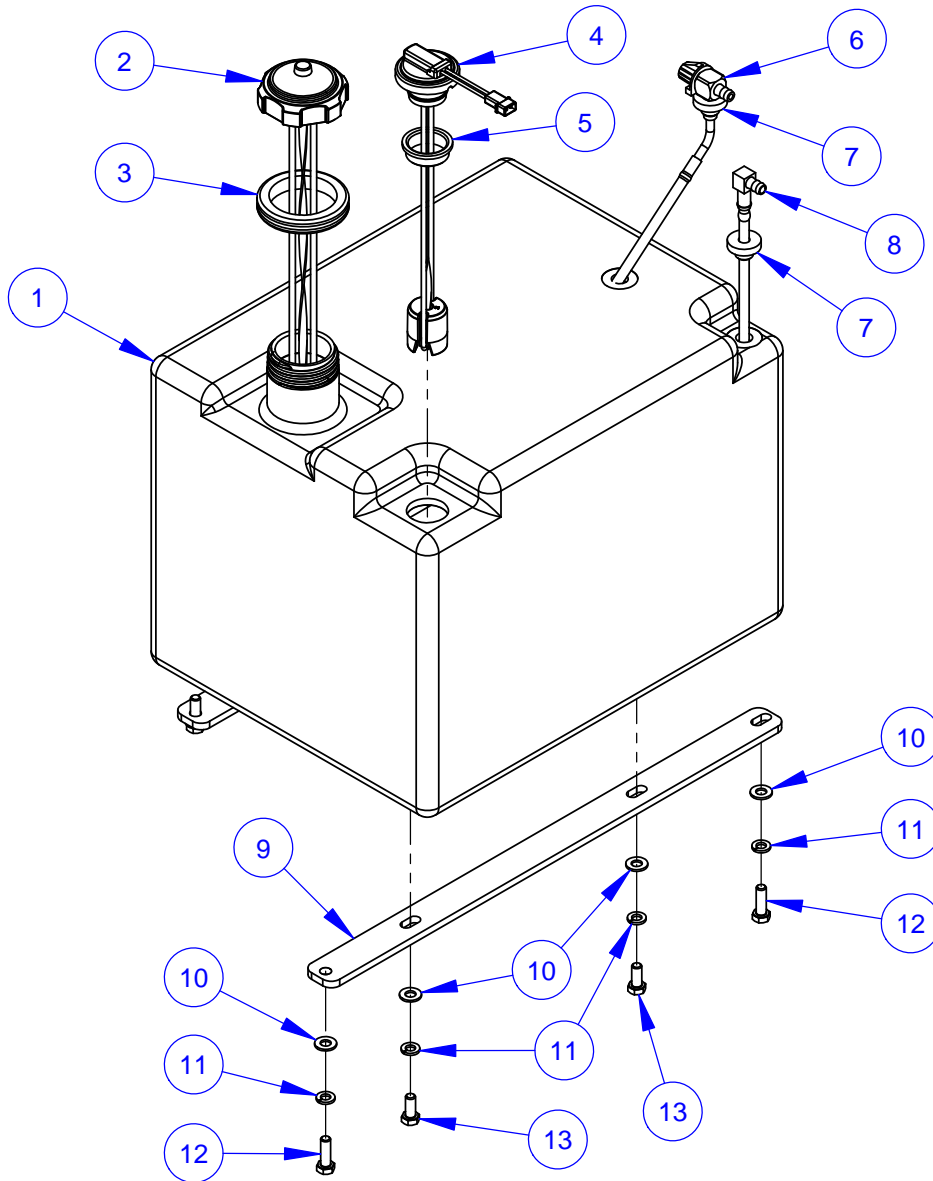
# Fuel Supply Assembly #6019203B



## Fuel Supply Assembly #6019203B

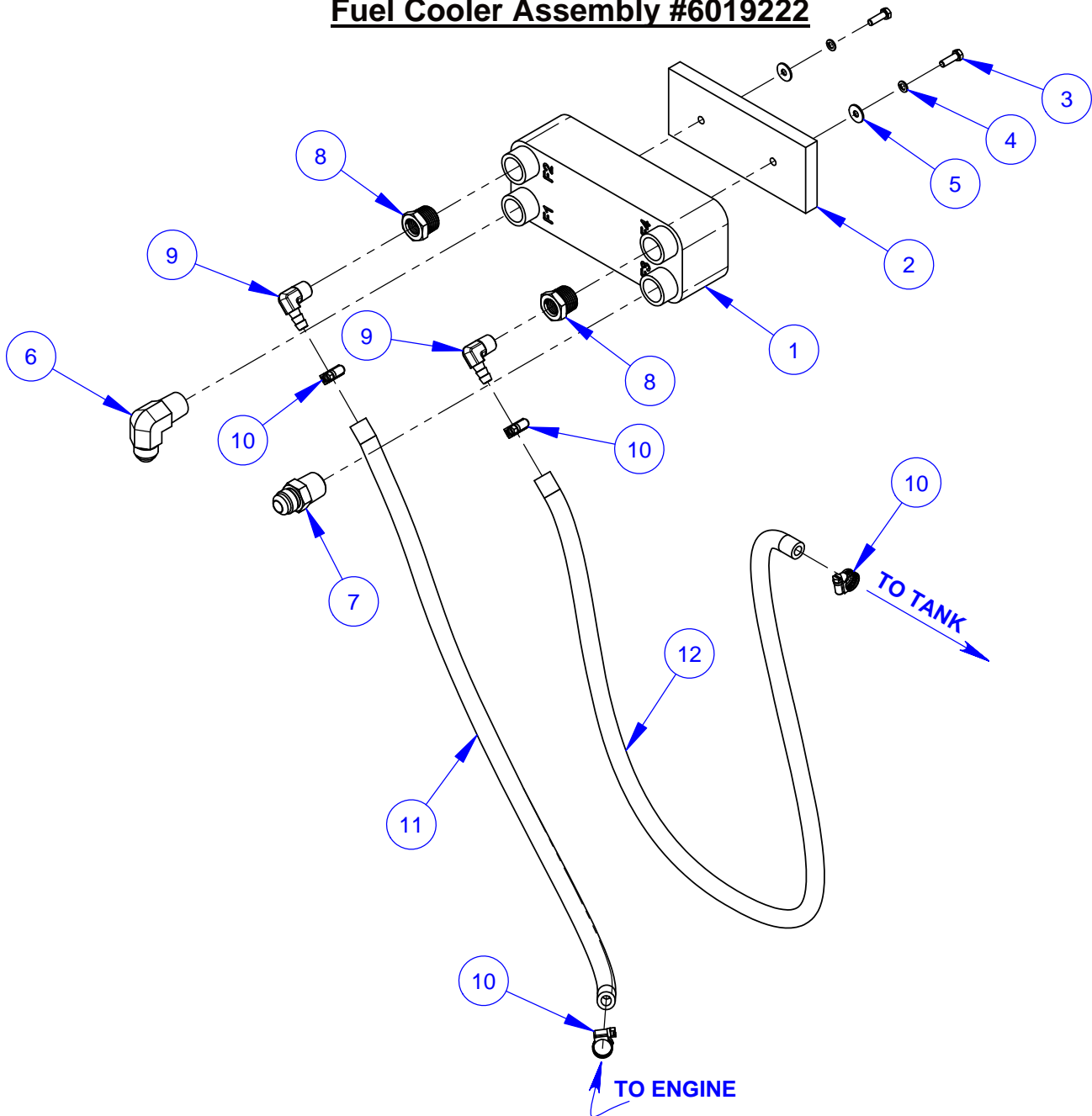
ITEM	PART NO.	QTY.	DESCRIPTION
1	6019238	1	Fuel Filter Mount Bracket
2	2705153	1	Fuel Filter Assembly
	2705215	1	Fuel Filter Cartridge
3	2900329	2	Cap Screw, Hex Hd., M8-1.25 x 20mm
4	2900763	2	Lock Washer, M8 Split
5	6017297	3	Fuel Hose, 5/16" I.D. x 14"
6	3200062	8	Hose Clamp #4
7	2705151	1	Fuel Pump, Electric
8	2900553	2	Cap Screw, Soc. Hd., M6-1.0 x 16mm
9	2900765	2	Lock Washer, M6 Split
10	2901494	2	Flat Washer, M6
11	2705152	1	Water Separator Assembly
	2705214	1	Water Separator Cartridge
12	2900223	2	Cap Screw, Hex Hd., M10-1.5 x 30mm
13	2901356	2	Flat Washer, M10
14	2900304	2	Lock Nut, M10-1.5 Nylon Insert
15	3201269	2	Adapter, M14x1.5 M. to 1/4" F. Pipe
16	3200599	1	Elbow, 1/4" M. Pipe to 5/16" Hose Barb
17	3201304	1	Fitting, 1/4" M. Pipe to 5/16" Hose Barb
18	2501434	1	Hose Clamp, 5/8" x 3/4" Wide
19	6019272	1	Fuel Hose, 5/16" I.D. x 36"
20	6019237	1	Fuel Pump Mount Plate
21	2900746	2	Cap Screw, Hex Hd., M12-1.25 x 30mm
22	2900699	2	Lock Washer, M12 Split
23	2901357	2	Flat Washer, M12

## Fuel Tank Assembly #6019202A



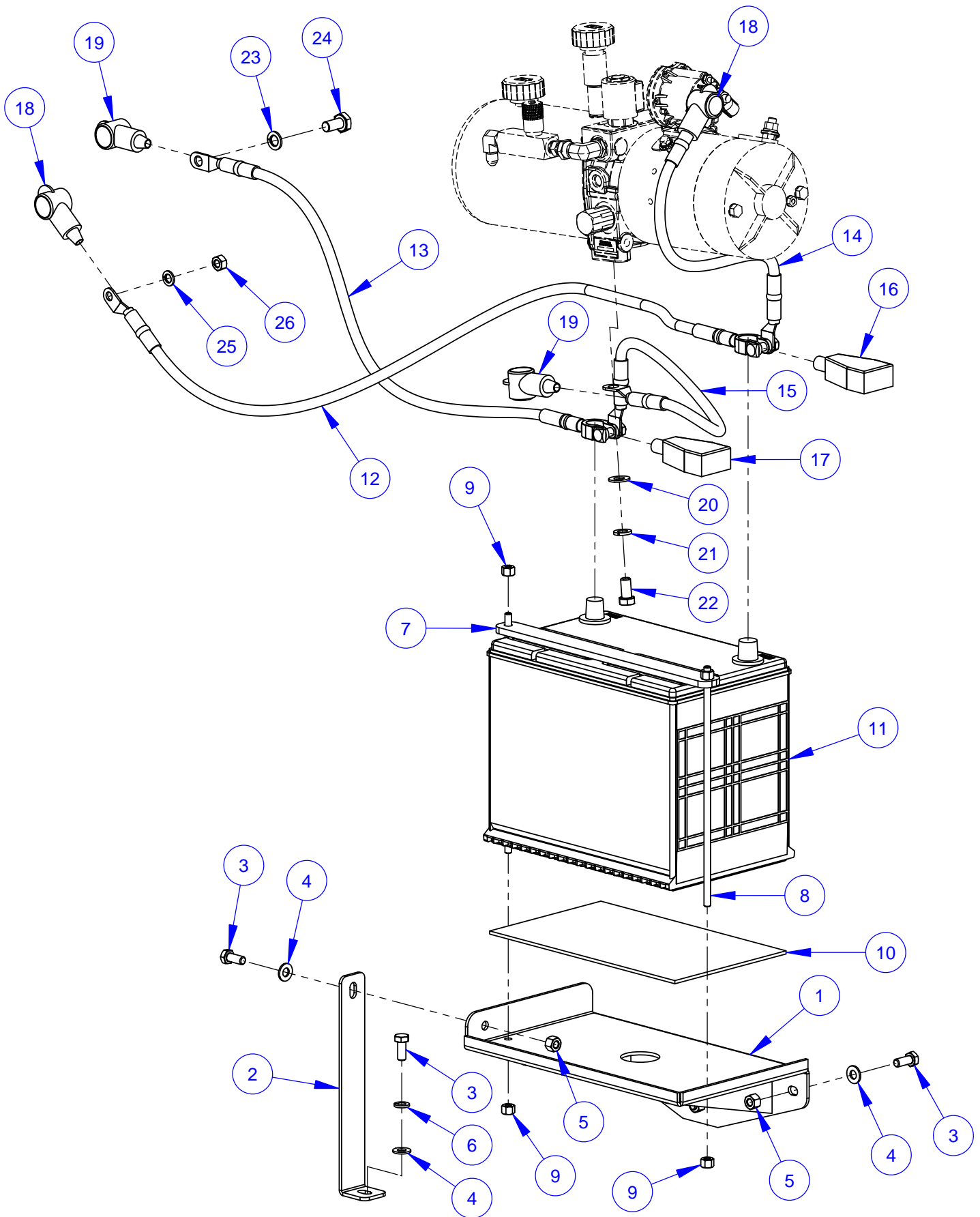
ITEM	PART NO.	QTY.	DESCRIPTION
1	6019160	1	Fuel Tank
2	2504786	1	Fuel Tank Cap & Gauge
3	2500205	1	Fuel Tank Grommet
4	2506033	1	Fuel Level Sender
5	2503963	1	Grommet, Fuel Sender
6	2501777	1	Fuel Valve w/Pick-Up Tube
7	2501215	2	Bushing, Tank (Rubber)
8	2503708	1	Tank Elbow with Tube
9	6010257	2	Fuel Tank Mount Bar
10	2900022	8	Flat Washer, 5/16" SAE
11	2900031	8	Lock Washer, 5/16" Split
12	2900138	4	Cap Screw, Hex Hd., 5/16-18 x 1"
13	2900019	4	Cap Screw, Hex Hd., 5/16-18 x 3/4"

## Fuel Cooler Assembly #6019222



ITEM	PART NO.	QTY.	DESCRIPTION
1	2506054	1	Fuel Cooler
2	6019280	1	Cooler Cushion
3	2902006	2	Cap Screw, Hex Hd., M5-0.8 x 16mm
4	2900767	2	Lock Washer, M5 Split
5	2900770	2	Fender Washer, M5
6	3201461	1	Elbow, 1/2" M. JIC to 1/2" M. Pipe
7	3200283	1	Adapter, 1/2" M. Pipe x 1/2" M. JIC
8	3200229	2	Reducer, 1/2" M. to 1/4" F. Pipe
9	3200599	2	Elbow, 1/4" M. Pipe to 5/16" Hose Barb
10	3200062	4	Hose Clamp #4
11	6017348	1	Fuel Hose, 5/16" I.D. x 24"
12	6019272	1	Fuel Hose, 5/16" I.D. x 36"

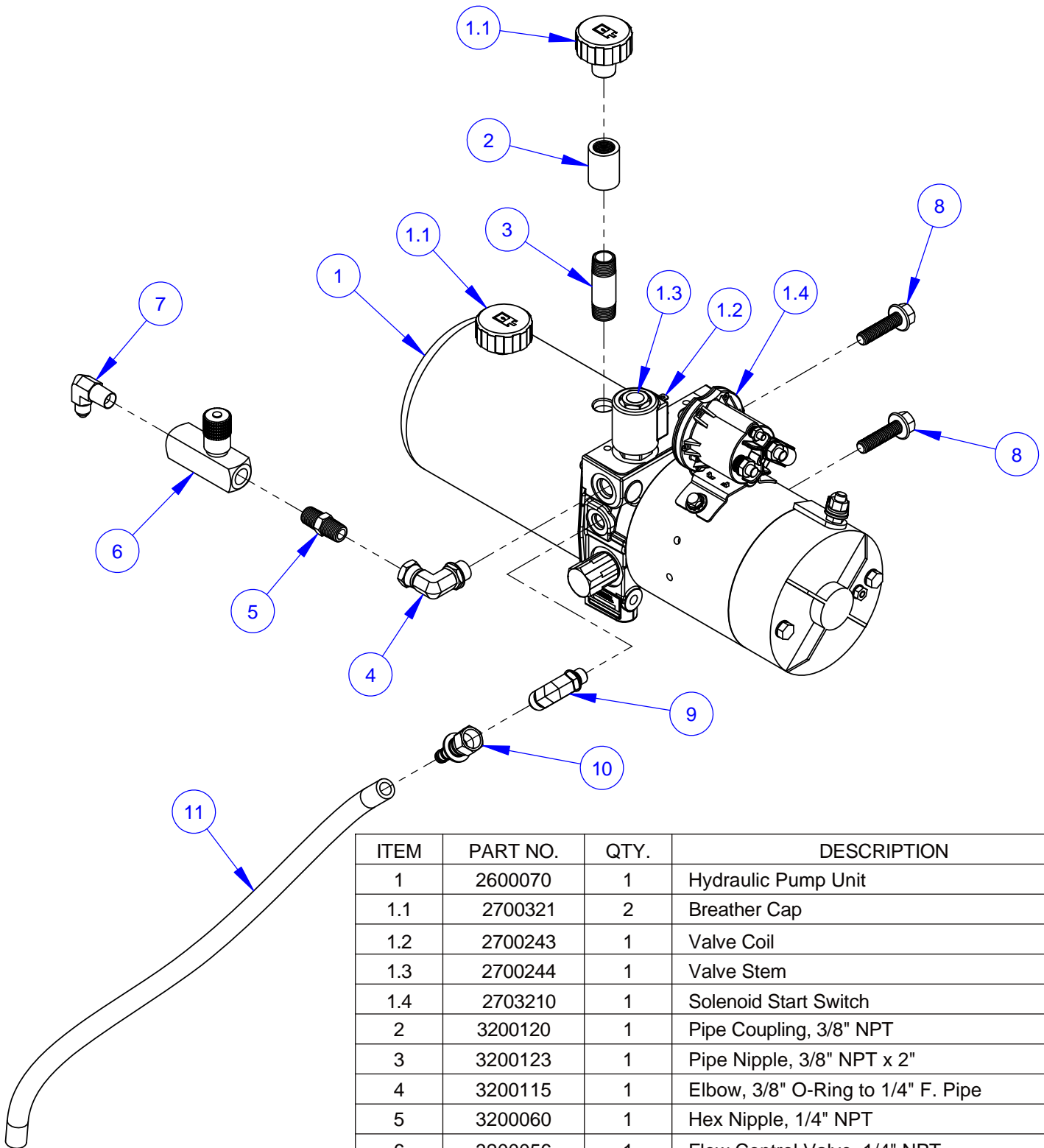
# Battery Assembly #6019102



## Battery Assembly #6019102

ITEM	PART NO.	QTY.	DESCRIPTION
1	6010670	1	Battery Platform
2	6010554	1	Battery Support Brace
3	2900019	5	Cap Screw, Hex Hd., 5/16-18 x 3/4"
4	2900022	5	Flat Washer, 5/16" SAE
5	2900039	4	Lock Nut, 5/16-18 Nylon
6	2900031	1	Lock Washer, 5/16" Split
7	6010017	1	Battery Top Brace
8	6010344	2	Rod, 1/4-20 x 9-1/2"
9	2900010	4	Lock Nut, 1/4-20 Nylon
10	6010016	1	Battery Pad
11	2800465	1	Battery, 12 Volt Group Size 24
12	2800082	1	Battery Cable, 48" Positive (Red)
13	2800072	1	Battery Cable, 30" Negative (Black)
14	2800095	1	Solenoid Cable, 14" Positive (Red)
15	2800182	1	Ground Cable, 14" Negative (Black)
16	2800256	1	Battery Boot, Large (Red)
17	2800257	1	Battery Boot, Large (Black)
18	2800197	2	Battery Boot, Small (Red)
19	2800198	2	Battery Boot, Small (Black)
20	2900014	1	Flat Washer, 3/8" SAE
21	2900006	1	Lock Washer, 3/8" Split
22	2900196	1	Cap Screw, Hex Hd., 3/8-16 x 3/4"
23	2900321	1	Lock Washer, M10 Split
24	2901021	1	Cap Screw, Hex Hd., M10-1.25 x 20mm
25	2900763	1	Lock Washer, M8 Split
26	2900343	1	Hex Nut, M8-1.25

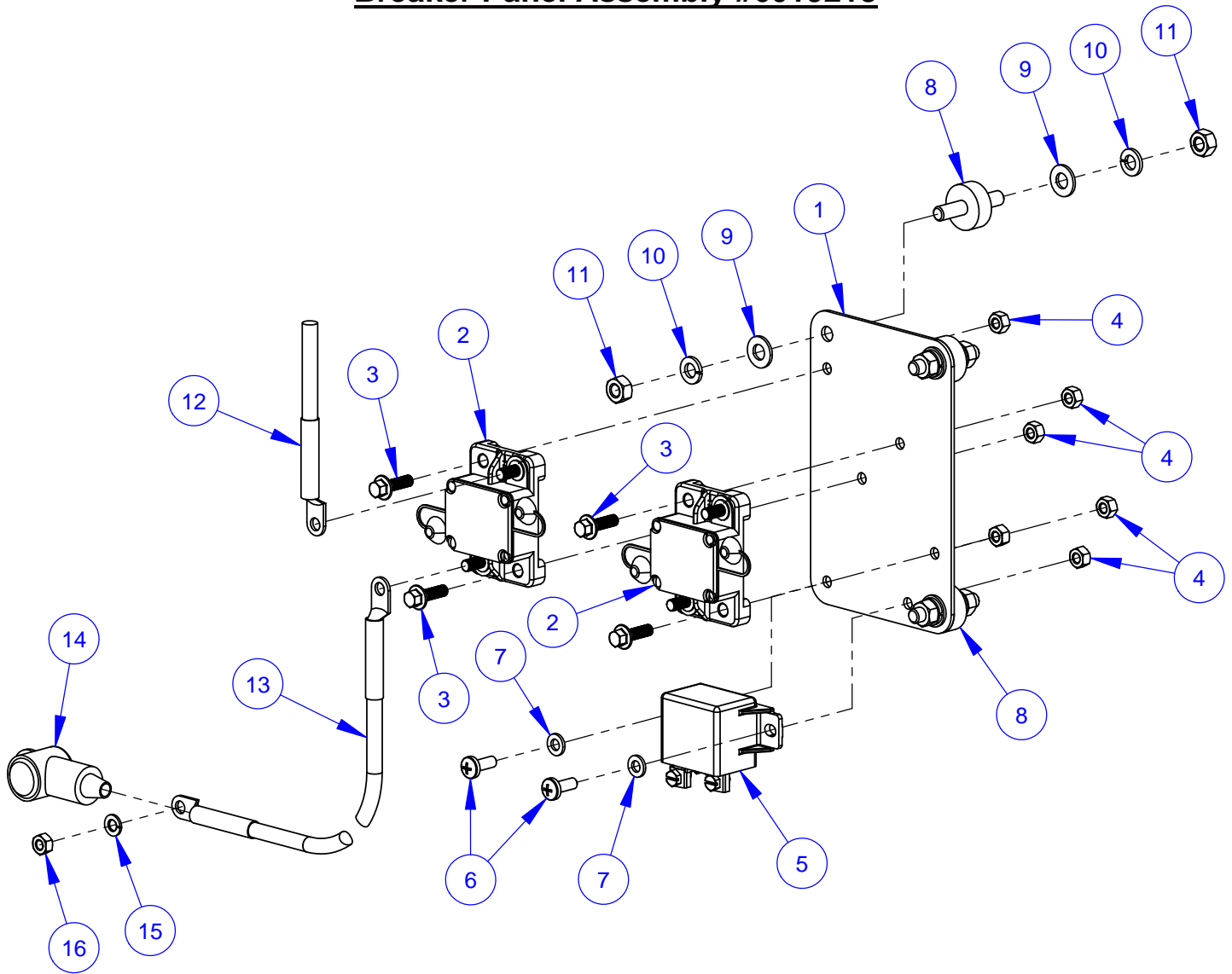
## Hydraulic Pump Assembly #6010213 (Includes Items #1 - #8)



ITEM	PART NO.	QTY.	DESCRIPTION
1	2600070	1	Hydraulic Pump Unit
1.1	2700321	2	Breather Cap
1.2	2700243	1	Valve Coil
1.3	2700244	1	Valve Stem
1.4	2703210	1	Solenoid Start Switch
2	3200120	1	Pipe Coupling, 3/8" NPT
3	3200123	1	Pipe Nipple, 3/8" NPT x 2"
4	3200115	1	Elbow, 3/8" O-Ring to 1/4" F. Pipe
5	3200060	1	Hex Nipple, 1/4" NPT
6	3200056	1	Flow Control Valve, 1/4" NPT
7	3200057	1	Elbow, 1/4" M. Pipe to 1/4" M. JIC
8	2901595	2	Cap Screw, Hex Flange Hd., 3/8-16 x 1-1/2"
9	3200116	1	Elbow, 1/4" O-Ring to 3/8" M. JIC
10	3200046	1	Fitting, 3/8" F. JIC to 3/8" Push Lock
11	6010059	1	Clear Hose, 3/8" I.D. x 19"

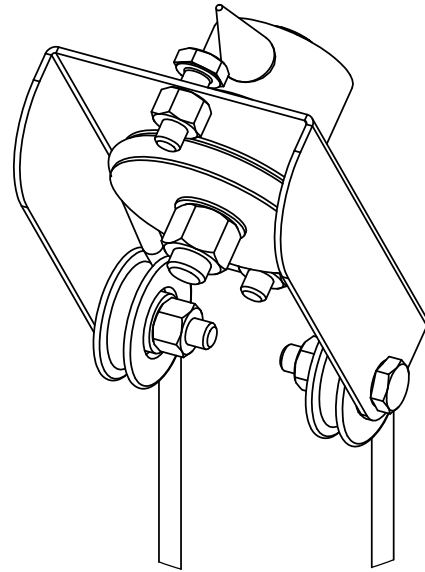
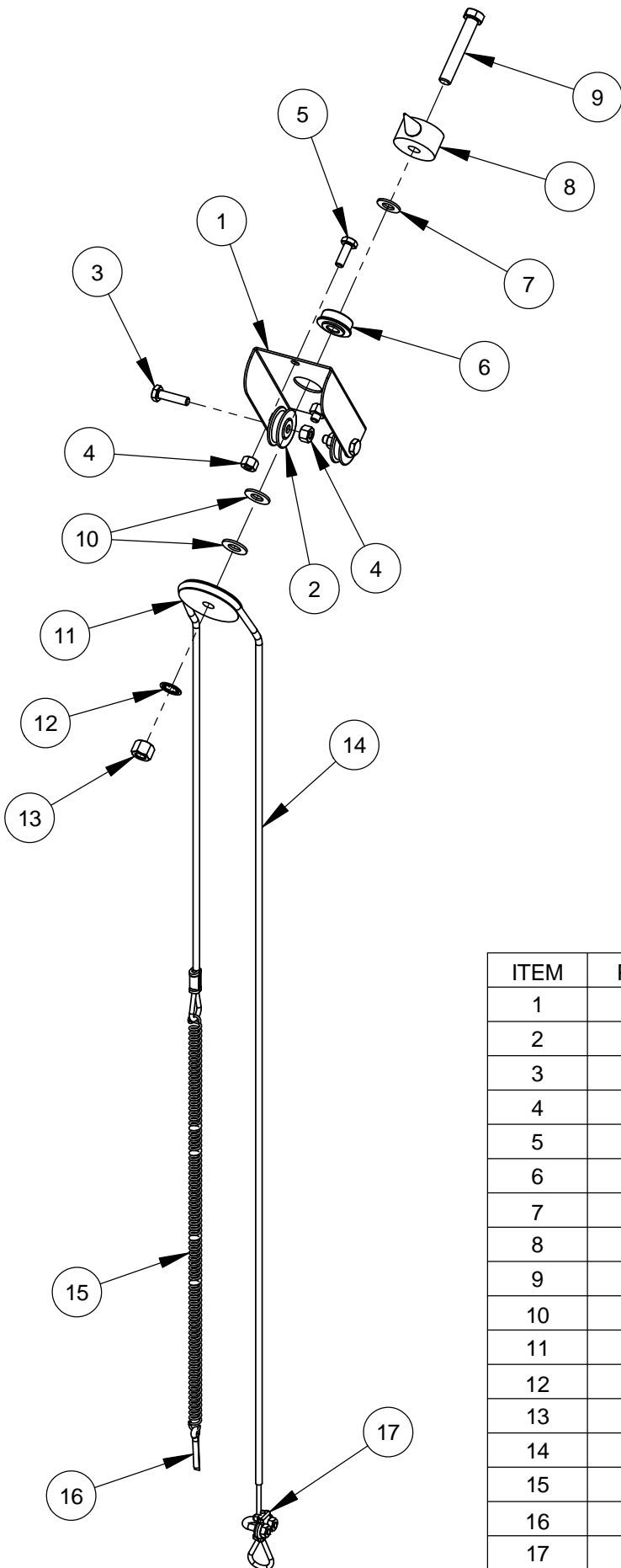


## Breaker Panel Assembly #6019218



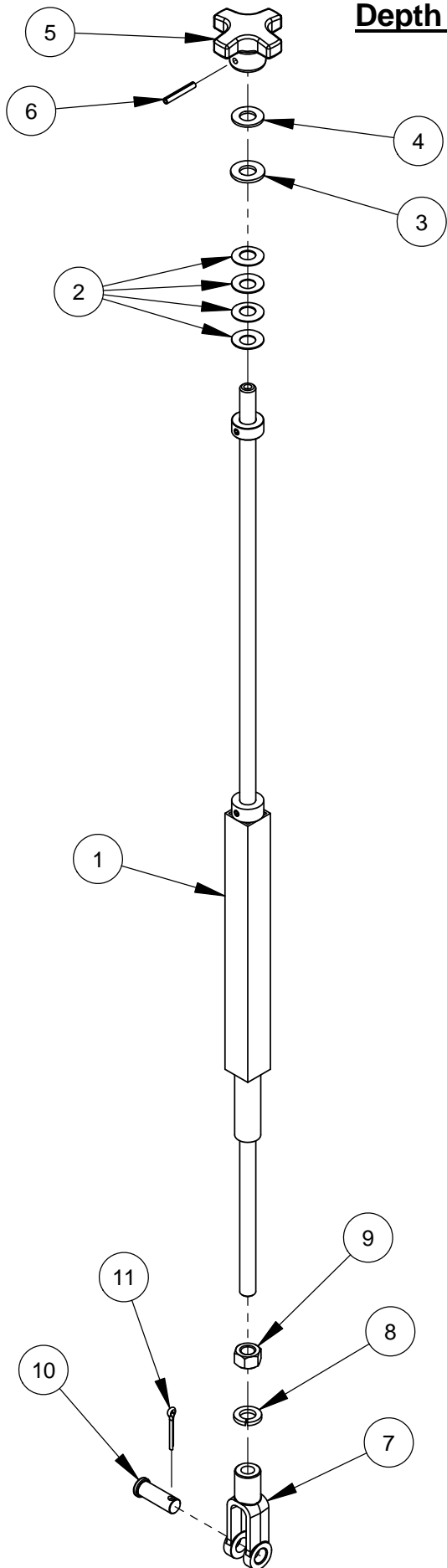
ITEM	PART NO.	QTY.	DESCRIPTION
1	6019255	1	Breaker Panel
2	2801277	2	Circuit Breaker, 100 Amp
3	2900328	4	Flange Bolt, M6 x 20mm
4	2900302	6	Lock Nut, M6-1.0 Nylon Insert
5	2800872	1	Relay, 75 Amp, 12V, SPST
6	2901368	2	Machine Screw, Pan Hd., M6-1.0 x 16mm
7	2901494	2	Flat Washer, M6
8	2506010	3	Vibration Isolator, 5/16-18
9	2900022	6	Flat Washer, 5/16" SAE
10	2900031	6	Lock Washer, 5/16" Split
11	2900141	6	Hex Nut, 5/16-18
12	2802008	1	Cable 33" (Red)
13	2802009	1	Cable 41" (Red)
14	2800197	1	Battery Boot, Small (Red)
15	2900765	1	Lock Washer, M6 Split
16	2900305	1	Hex Nut, M6-1.0

## Depth Indicator Assembly #6010214



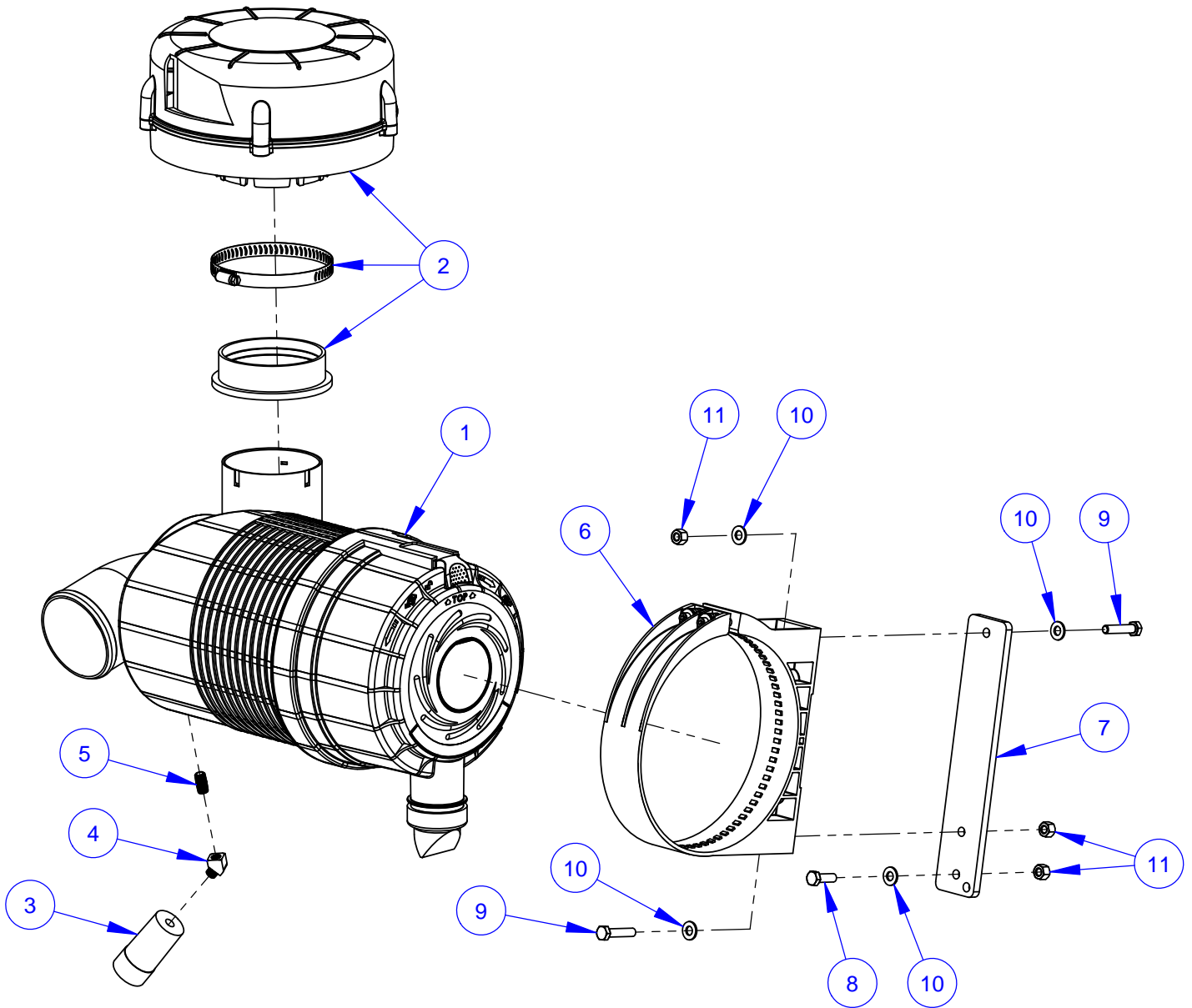
ITEM	PART NO.	QTY.	DESCRIPTION
1	6010092	1	Depth Indicator Mount Bracket
2	2500155	2	Cable Pulley, 1-1/4"
3	2900008	2	Cap Screw, Hex Hd., 1/4-20 x 1"
4	2900010	4	Lock Nut, 1/4-20 Nylon
5	2900144	2	Cap Screw, Hex Hd., 1/4-20 x 3/4"
6	2500145	1	Flange Bearing, 3/8"
7	2901383	1	Friction Washer, 3/8"
8	6010091	1	Depth Indicator Pointer
9	2900079	1	Cap Screw, Hex Hd., 3/8-16 x 2-1/4"
10	2900014	2	Flat Washer, 3/8" SAE
11	6010093	1	Cable Pulley, 2"
12	2900254	1	Lock Washer, 3/8" Internal Tooth
13	2900018	1	Lock Nut, 3/8-16 Nylon
14	6010094	1	Depth Indicator Cable with Crimp, 48"
15	2500196	1	Spring, 3/8" x 15"
16	2900055	1	Cotter Pin, 3/16" x 1"
17	2500214	1	Cable Clamp

## Depth Stop Assembly #6010215



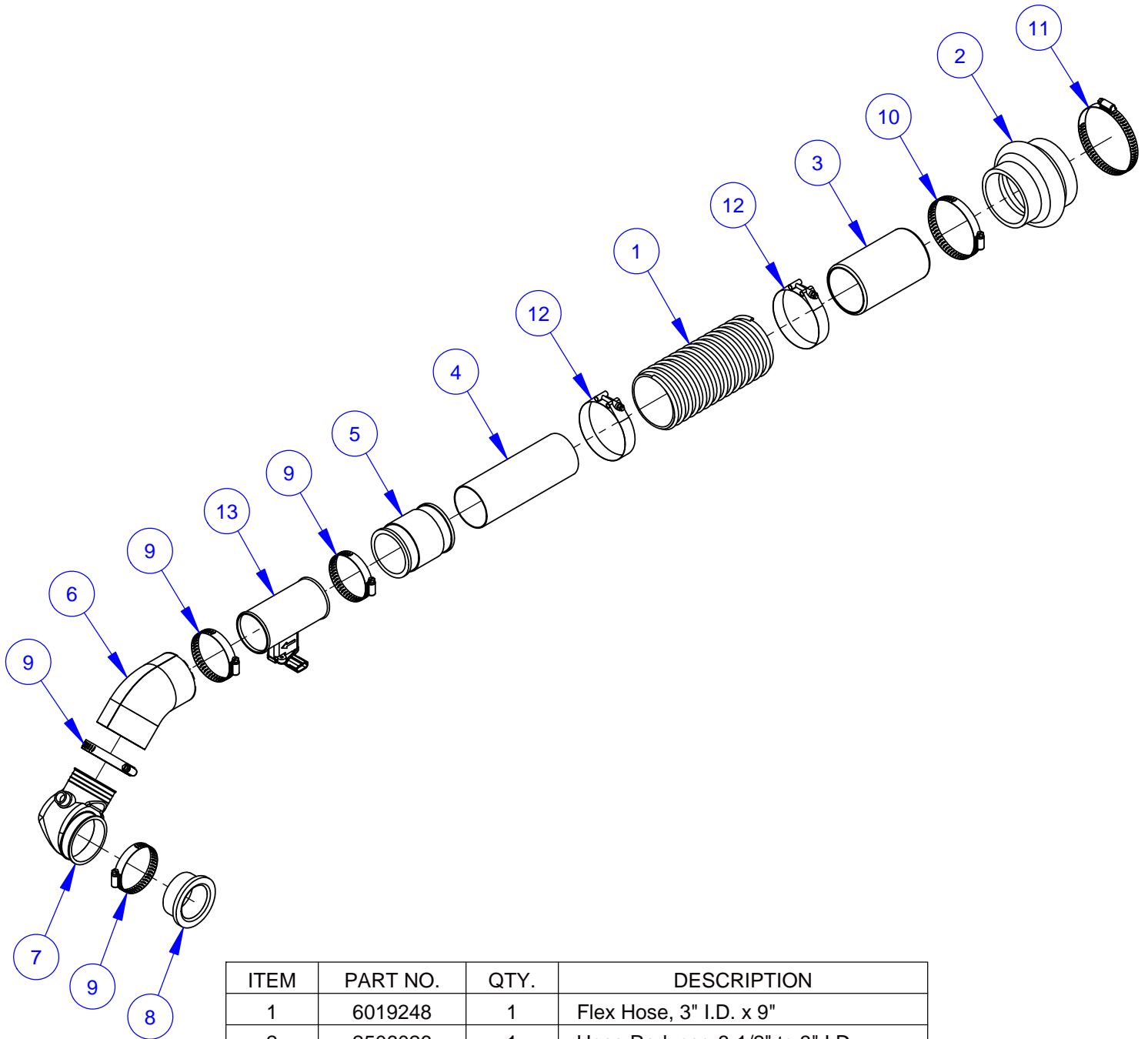
ITEM	PART NO.	QTY.	DESCRIPTION
1	6010097	1	Depth Stop Weldment
2	2900665	4	Belleville Washer, 1/2"
3	2900058	1	Flat Washer, 1/2" SAE
4	2900239	1	Friction Washer, 1/2"
5	6010095	1	Depth Stop Knob
6	2900132	1	Roll Pin, 3/16" x 1-1/4"
7	2900158	1	Yoke, 1/2-13
8	2900084	1	Lock Washer, 1/2" Split
9	2900037	1	Hex Nut, 1/2-13
10	2900007	1	Clevis Pin, 1/2" Dia. x 1-3/8"
11	2900004	1	Cotter Pin, 1/8" x 1"

## Air Cleaner Assembly #6019204



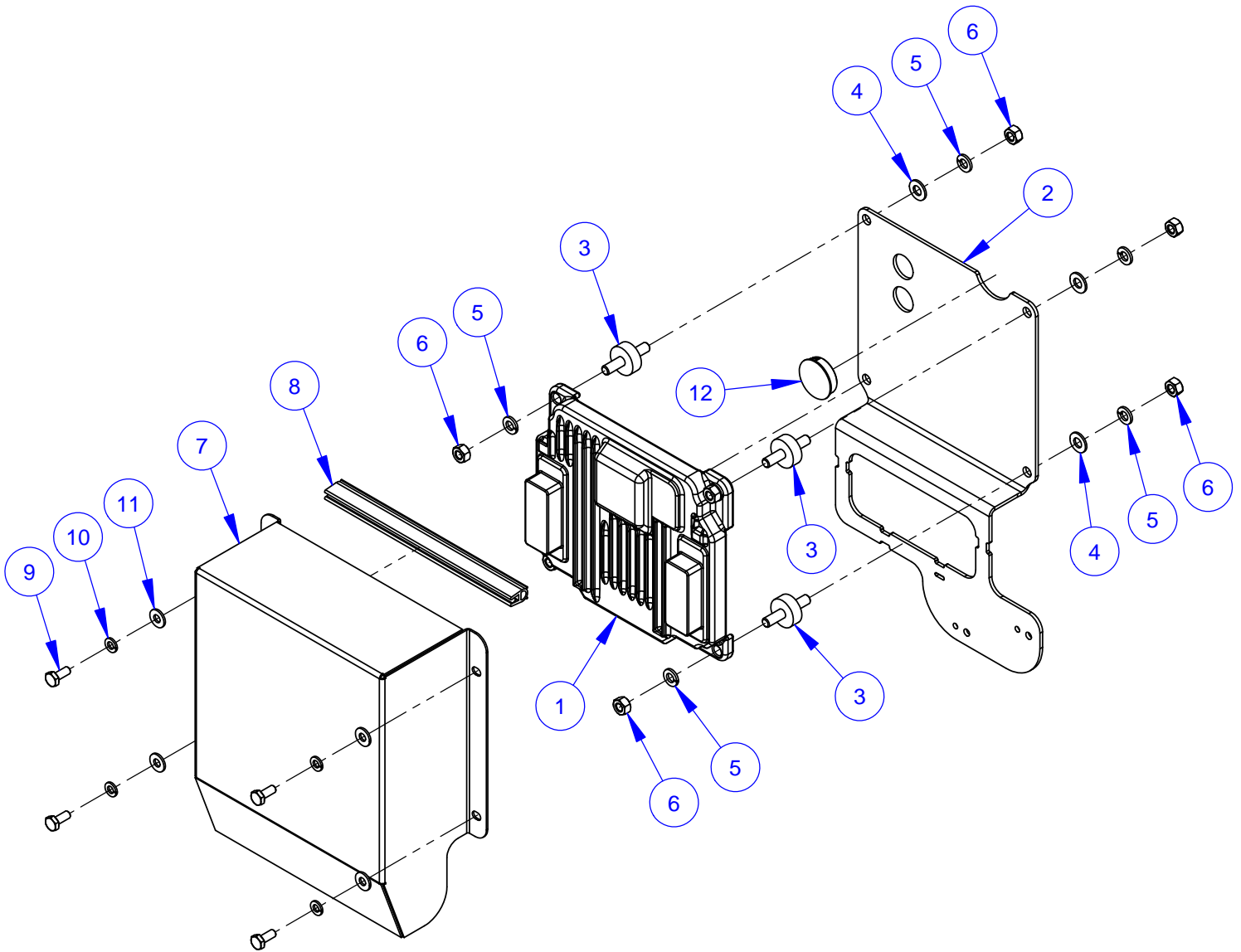
ITEM	PART NO.	QTY.	DESCRIPTION
1	2502182	1	Air Cleaner Complete
	2501352	1	Outer Primary Filter
	2501353	1	Inner Safety Filter
	2500239	1	Rubber Dust Ejector Boot
2	2501504	1	Pre-Cleaner w/Clamp & Adapter Ring
3	2500423	1	Restriction Indicator
4	3200099	1	Street Elbow, 1/8" NPT x 45 Deg.
5	3200117	1	Close Nipple, 1/8" NPT
6	2501351	1	Mounting Band, Polymer
7	6017387	1	Air Filter Mount Plate
8	2900138	1	Cap Screw, Hex Hd., 5/16-18 x 1"
9	2900508	2	Cap Screw, Hex Hd., 5/16-18 x 1-1/2"
10	2900022	4	Flat Washer, 5/16" SAE
11	2900039	3	Lock Nut, 5/16-18 Nylon

## Air Intake Assembly #6019205



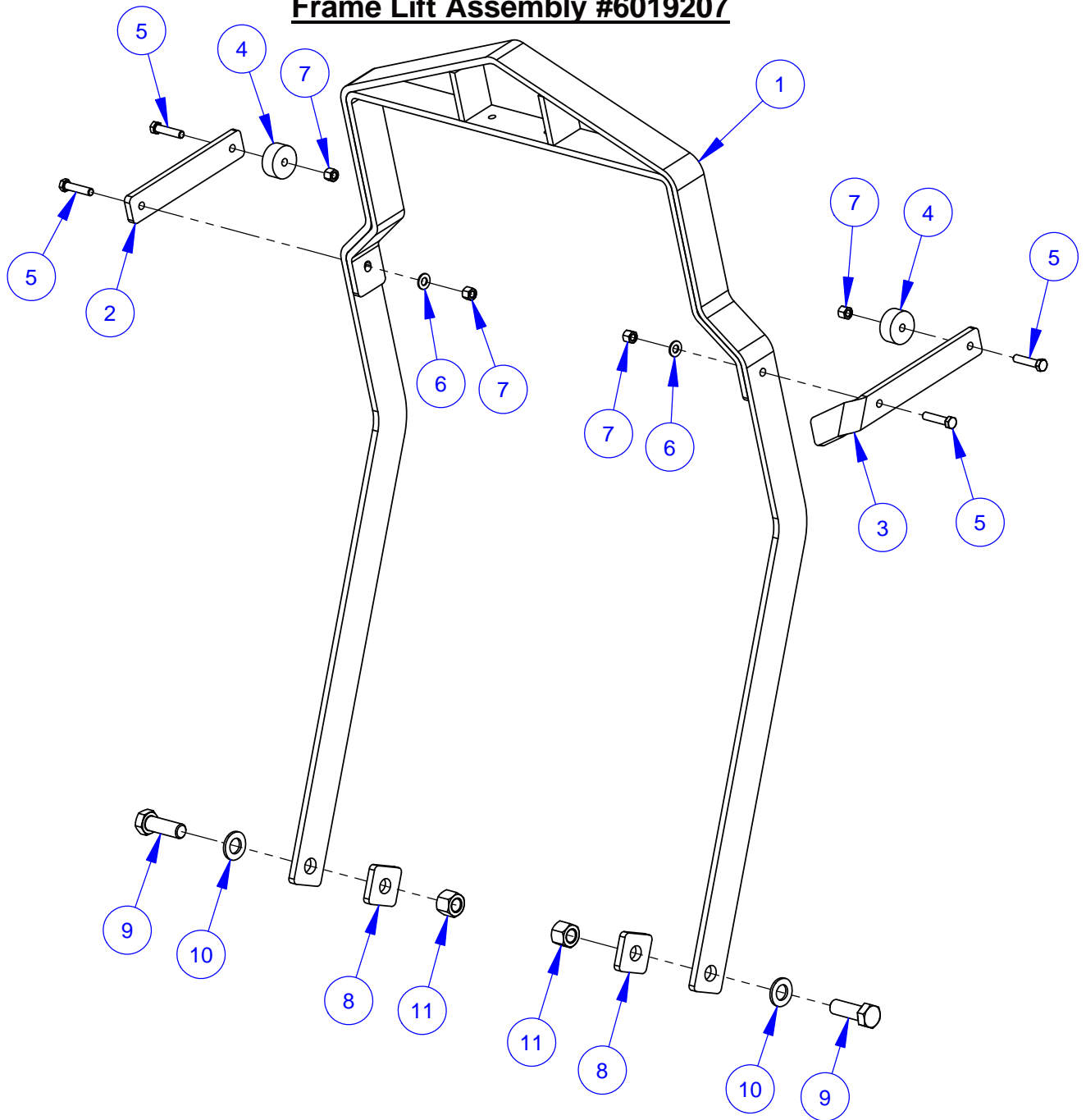
ITEM	PART NO.	QTY.	DESCRIPTION
1	6019248	1	Flex Hose, 3" I.D. x 9"
2	2506026	1	Hose Reducer, 3-1/2" to 3" I.D.
3	6019247	1	Connector Tube, 3" O.D.
4	6019249	1	Air Intake Tube, 2-1/2" O.D.
5	2506015	1	Hose Coupling
6	2506027	1	Hose Elbow Reducer, 45 deg.
7	2506016	1	Hose Elbow, 2-1/2"
8	2506013	1	Sleeve Reducer, 2-1/2" to 2" I.D.
9	3200096	4	Hose Clamp #40
10	3200197	1	Hose Clamp #52
11	3200198	1	Hose Clamp #64
12	3202098	2	T-Bolt Clamp, 3-1/2"
13	2705147	1	MAF Sensor

## ECU Assembly #6019206



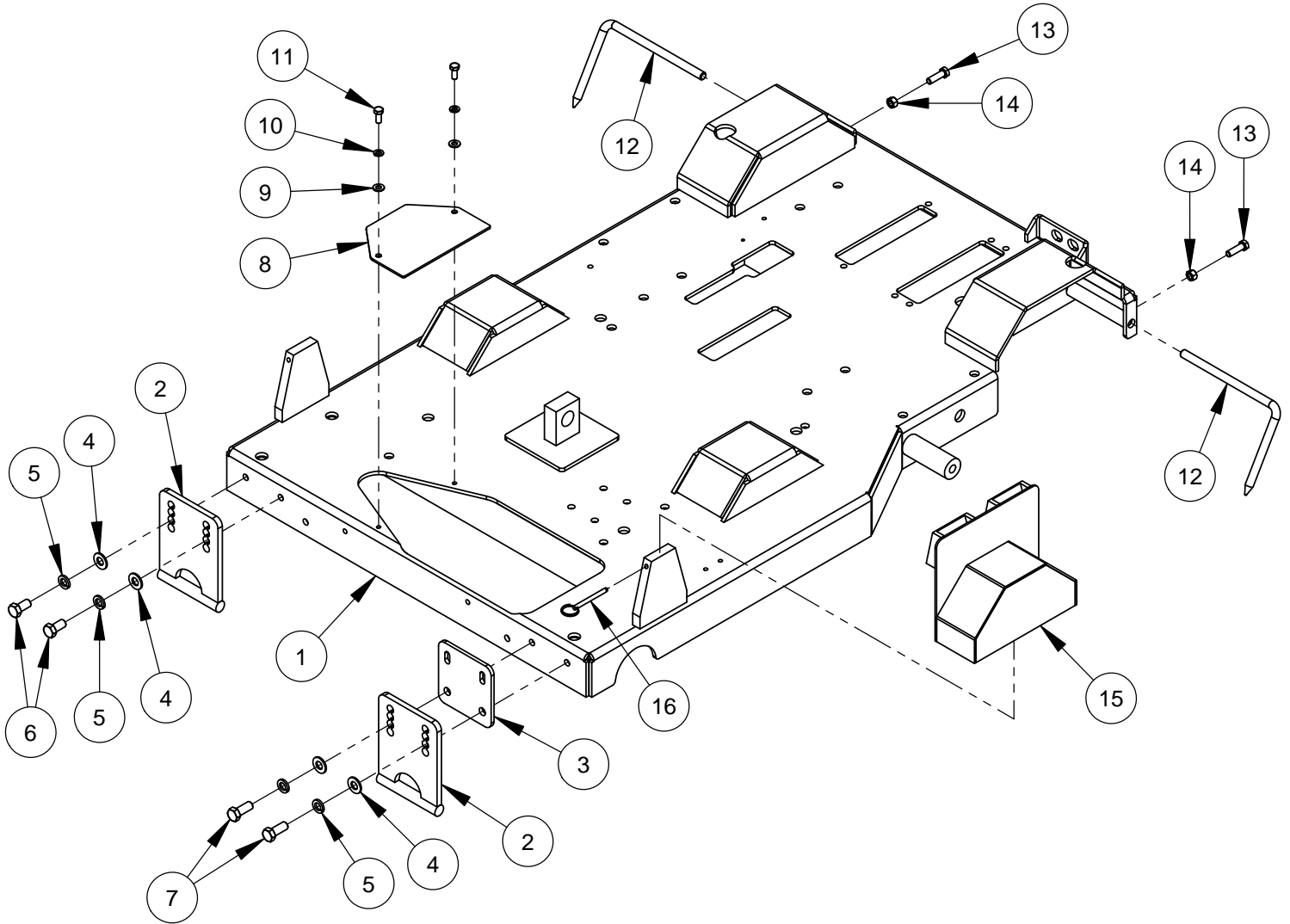
ITEM	PART NO.	QTY.	DESCRIPTION
1	2705148	1	Engine Control Unit (ECU)
2	6019276	1	ECU Mounting Bracket
3	2506010	4	Vibration Isolator, 5/16-18
4	2900022	4	Flat Washer, 5/16" SAE
5	2900031	8	Lock Washer, 5/16" Split
6	2900141	8	Hex Nut, 5/16-18
7	6019240	1	ECU Cover
8	6019259	1	Edge Trim Seal 8-1/4"
9	2900023	4	Cap Screw, Hex Hd., 1/4-20 x 5/8"
10	2900024	4	Lock Washer, 1/4" Split
11	2900009	4	Flat Washer, 1/4" SAE
12	2501146	1	Plug, 1-1/4" Hole

## Frame Lift Assembly #6019207



ITEM	PART NO.	QTY.	DESCRIPTION
1	6019241	1	Frame Lift
2	6013156	1	Frame Lift Brace
3	6019242	1	Frame Lift Stop Brace
4	6019274	2	Spacer, 3/4" Thick
5	2900047	4	Cap Screw, Hex Hd., 3/8-16 x 1-3/4"
6	2900014	2	Flat Washer, 3/8" SAE
7	2900018	4	Locknut, 3/8-16, Nylon
8	6013053	2	Frame Lift Spacer
9	2900465	2	Cap Screw, Hex Hd., 3/4-10 x 2-1/4"
10	2900003	2	Flat Washer, 3/4" SAE
11	2900467	2	Lock Nut, 3/4-10 Nylon

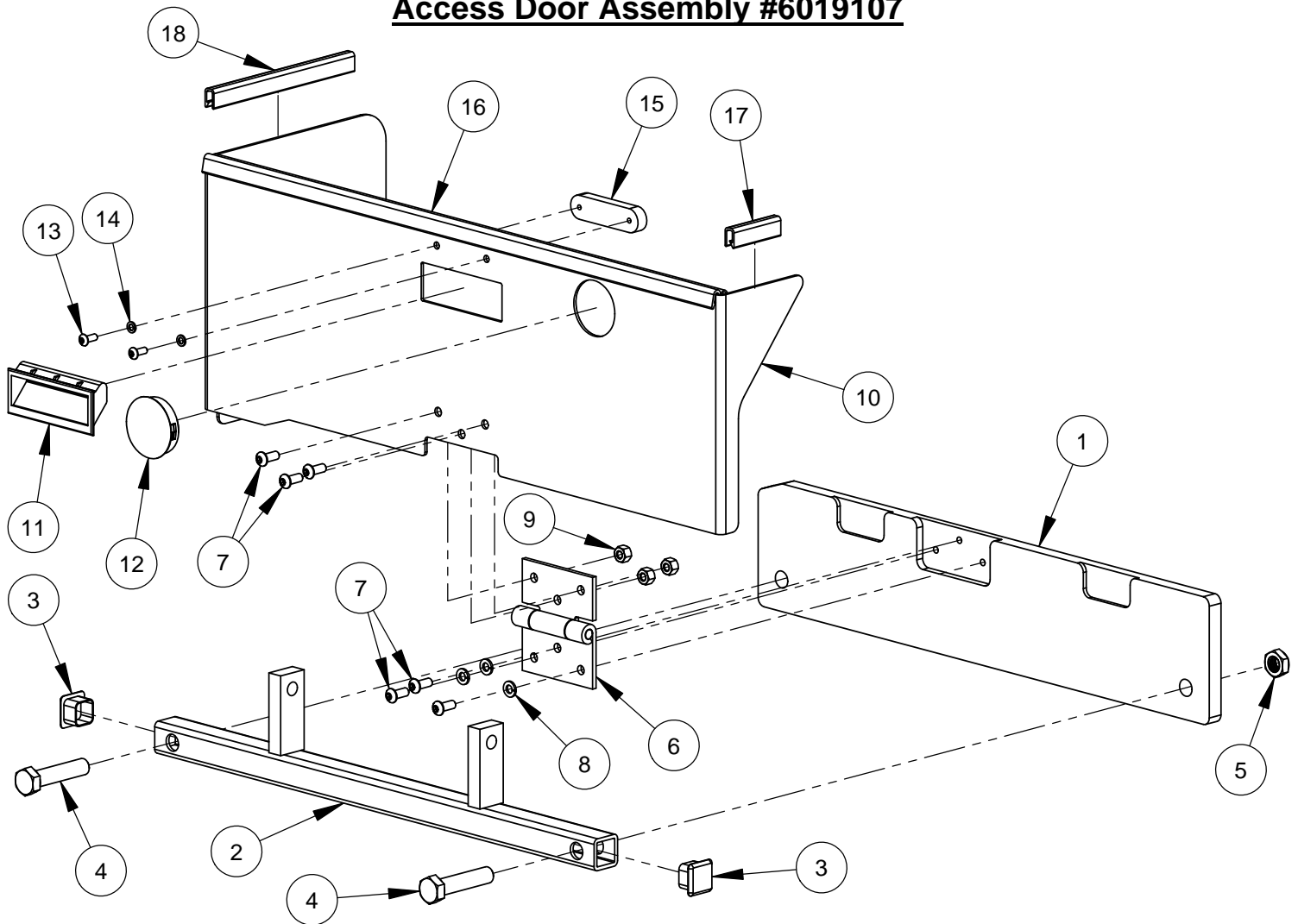
## Frame Base Assembly #6019104



ITEM	PART NO.	QTY.	DESCRIPTION
1	6010968	1	Frame Base Weldment
2	6017157	2	Skid Plate
3	6010973	1	Guard Attachment Plate
4	2900058	4	Flat Washer, 1/2" SAE
5	2900084	4	Lock Washer, 1/2" Split
6	2900086	2	Cap Screw, Hex Hd., 1/2-13 x 1"
7	2900025	2	Cap Screw, Hex Hd., 1/2-13 x 1-1/4"
8	6010974	1	Cover Plate
9	2900022	2	Flat Washer, 5/16" SAE
10	2900031	2	Lock Washer, 5/16" Split
11	2900019	2	Cap Screw, Hex Hd., 5/16-18 x 3/4"
12	6010683	2	Rear Pointer Rod
13	2900013	2	Cap Screw, Hex Hd., 3/8-16 x 1-1/4"
14	2900033	2	Hex Nut, 3/8-16
15	6010645	1	Shaft/Flange Guard (Wide)
16	2900156	1	Lock Pin with Ring

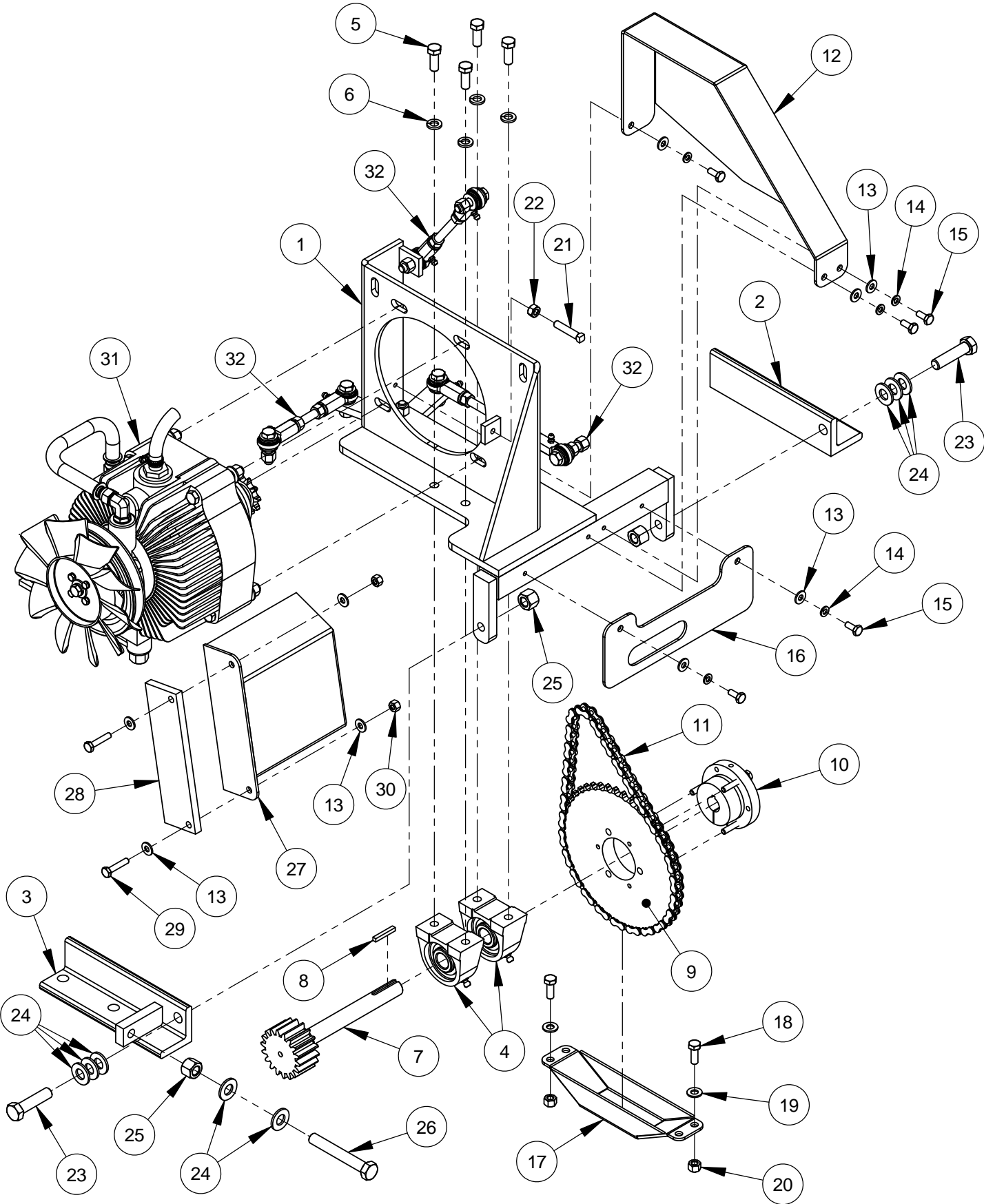


## Access Door Assembly #6019107



ITEM	PART NO.	QTY.	DESCRIPTION
1	6019081	1	Attachment Plate
2	6010979	1	Pointer Mount
3	2500573	2	Plug, 1" Square Tube
4	2900192	2	Cap Screw, Hex Hd., 1/2-13 x 2-1/4"
5	2900543	2	Jam Lock Nut, 1/2-13
6	2500270	1	Blade Guard Hinge
7	2900863	6	Cap Screw, Button Hd., 1/4-20 x 5/8"
8	2900024	3	Lock Washer, 1/4" Split
9	2900010	3	Lock Nut, 1/4-20 Nylon
10	6019082	1	Access Door
11	2503687	1	Pocket Pull Handle
12	2504563	1	Plug, 1-3/4" Hole
13	2901312	2	Cap Screw, Button Hd., #10-24 x 1/2"
14	2900038	2	Lock Washer, #10 Split
15	6019084	1	Strike Plate
16	6019127	1	Edge Trim Seal 21-3/4"
17	6019128	1	Edge Trim 2"
18	6019119	1	Edge Trim 6"

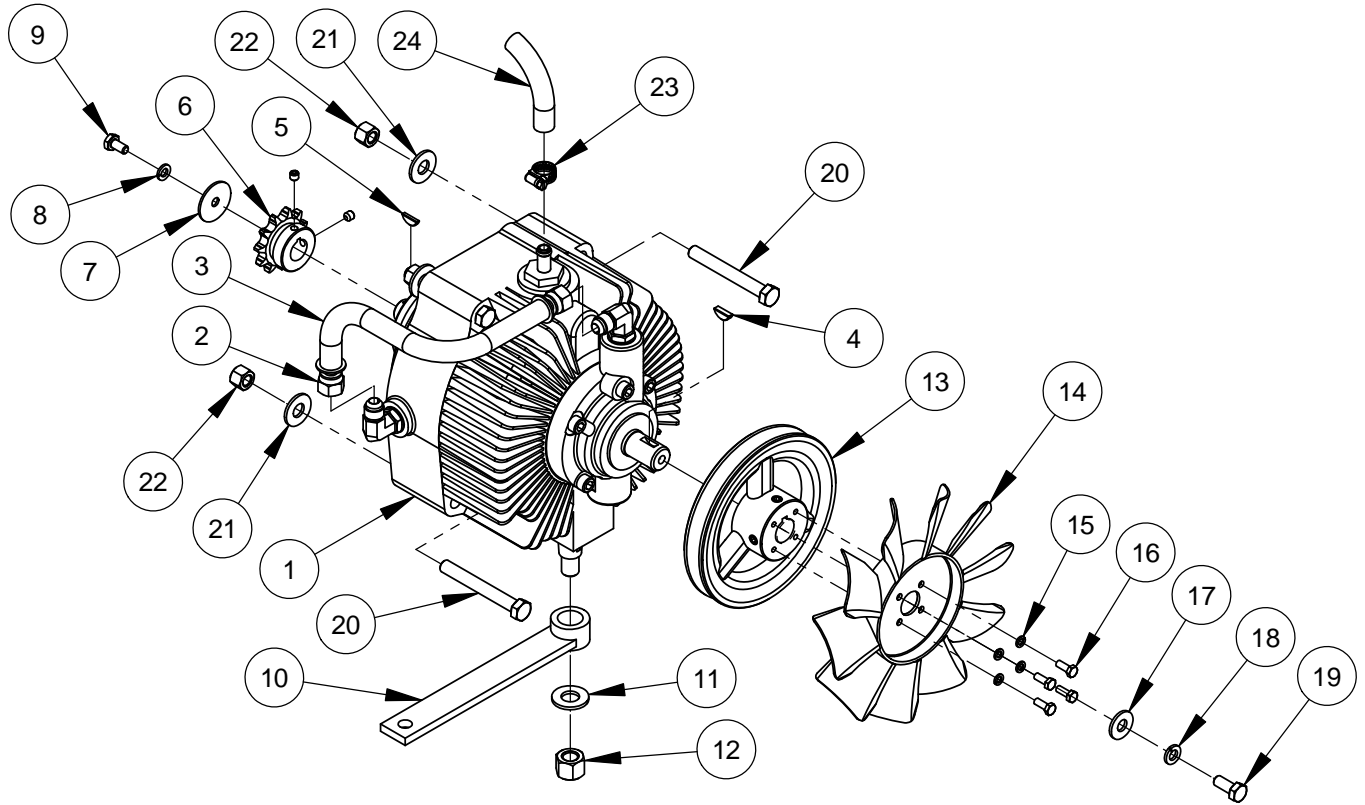
**Rear Drive Assembly #6013178**



## Rear Drive Assembly #6013178

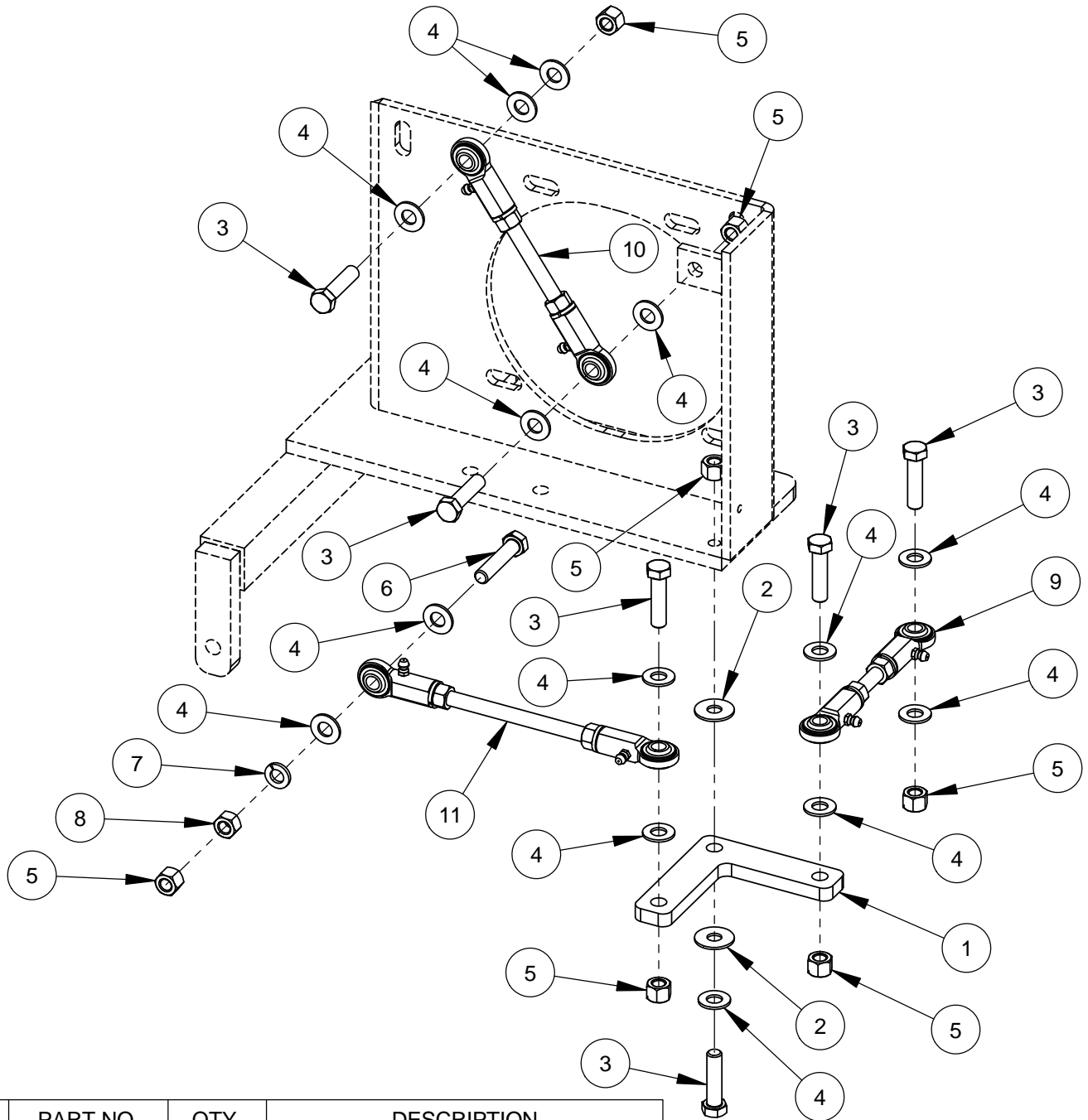
ITEM	PART NO.	QTY.	DESCRIPTION
1	6010068	1	Transmission Platform Weldment
2	6010027	1	Mount Foot, Right Hand
3	6010028	1	Mount Foot, Adjustable
4	2500159	2	Pillow Block Bearing, 3/4"
5	2900005	4	Cap Screw, Hex Hd., 3/8-16 x 1"
6	2900006	4	Lock Washer, 3/8" Split
7	6010664	1	Transmission Jackshaft 18T
8	6048229	1	Key, 3/16" Sq. x 1-1/4"
9	2500148	1	Sprocket, #40 x 45 Tooth
10	2500149	1	QD Bushing, SDS x 3/4" w/Fasteners
11	6010069	1	Chain, #40 x 56 Pitch
12	6010671	1	Chain Guard
13	2900009	9	Flat Washer, 1/4" SAE
14	2900024	5	Lock Washer, 1/4" Split
15	2900023	5	Cap Screw, Hex Hd., 1/4-20 x 5/8"
16	6010679	1	Gear Guard
17	6010674	1	Sprocket Guard
18	2900668	2	Cap Screw, Hex Hd., 5/16-18 x 7/8"
19	2900022	2	Flat Washer, 5/16" SAE
20	2900039	2	Lock Nut, 5/16-18 Nylon
21	2900140	1	Set Screw, Sq. Hd., 5/16-18 x 1-1/2"
22	2900141	1	Hex Nut, 5/16-18
23	2900106	2	Cap Screw, Hex Hd., 1/2-13 x 2"
24	2900058	8	Flat Washer, 1/2" SAE
25	2900026	3	Lock Nut, 1/2-13 Nylon
26	2900542	1	Tap Bolt, Hex Hd., 1/2-13 x 3-1/2"
27	6010673	1	Fan Guard
28	6010735	1	Spacer, Fan Guard
29	2900052	2	Cap Screw, Hex Hd., 1/4-20 x 1-1/4"
30	2900010	2	Lock Nut, 1/4-20 Nylon
31	6010724	1	Eaton Transmission Assembly
32	6010725	1	Linkage Assembly

## Eaton Transmission Assembly #6010724



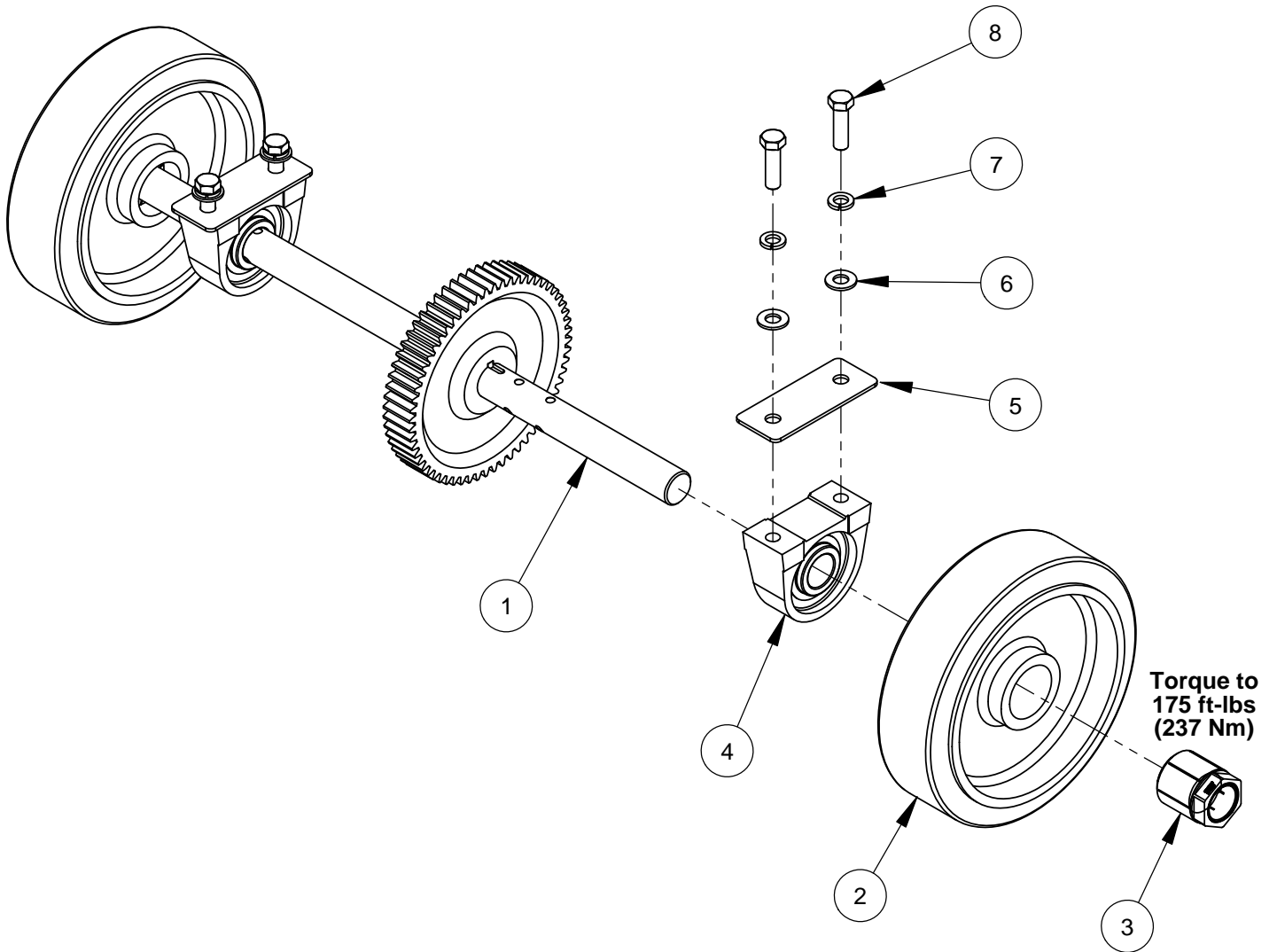
ITEM	PART NO.	QTY.	DESCRIPTION
1	2600068	1	Eaton Hydrostatic Transmission
2	3200046	2	Fitting, 3/8" F. JIC to 3/8" Push Lock
3	6010060	1	Oil Recirculation Hose, 3/8" I.D. x 9"
4	2900143	1	Woodruff Key #61, 3/16" x 5/8"
5	2900063	1	Woodruff Key #405, 1/8" x 5/8"
6	2500150	1	Sprocket, #40 x 11 Tooth w/Setscrews
7	2900083	1	Fender Washer, 1/4" x 1-1/4"
8	2900024	1	Lock Washer, 1/4" Split
9	2900082	1	Cap Screw, Hex Hd., 1/4-20 x 1/2"
10	6010064	1	Shift Lever
11	2900058	1	Flat Washer, 1/2" SAE
12	2900026	1	Lock Nut, 1/2-13 Nylon
13	6010682	1	Transmission Pulley 5.5"
14	2500519	1	Cooling Fan, 7"
15	2900038	4	Lock Washer, #10 Split
16	2900448	4	Machine Screw, Hex Hd., #10-32 x 1/2"
17	2900567	1	Flat Washer, 5/16" USS
18	2900031	1	Lock Washer, 5/16" Split
19	2900019	1	Cap Screw, Hex Hd., 5/16-18 x 3/4"
20	2900035	4	Cap Screw, Hex Hd., 3/8-16 x 3"
21	2900473	4	Flat Washer, 3/8" USS
22	2900018	4	Lock Nut, 3/8-16 Nylon
23	3200390	1	Hose Clamp #6
24	6010059	1	Clear Hose, 3/8" I.D. x 19"

## Linkage Assembly #6010725



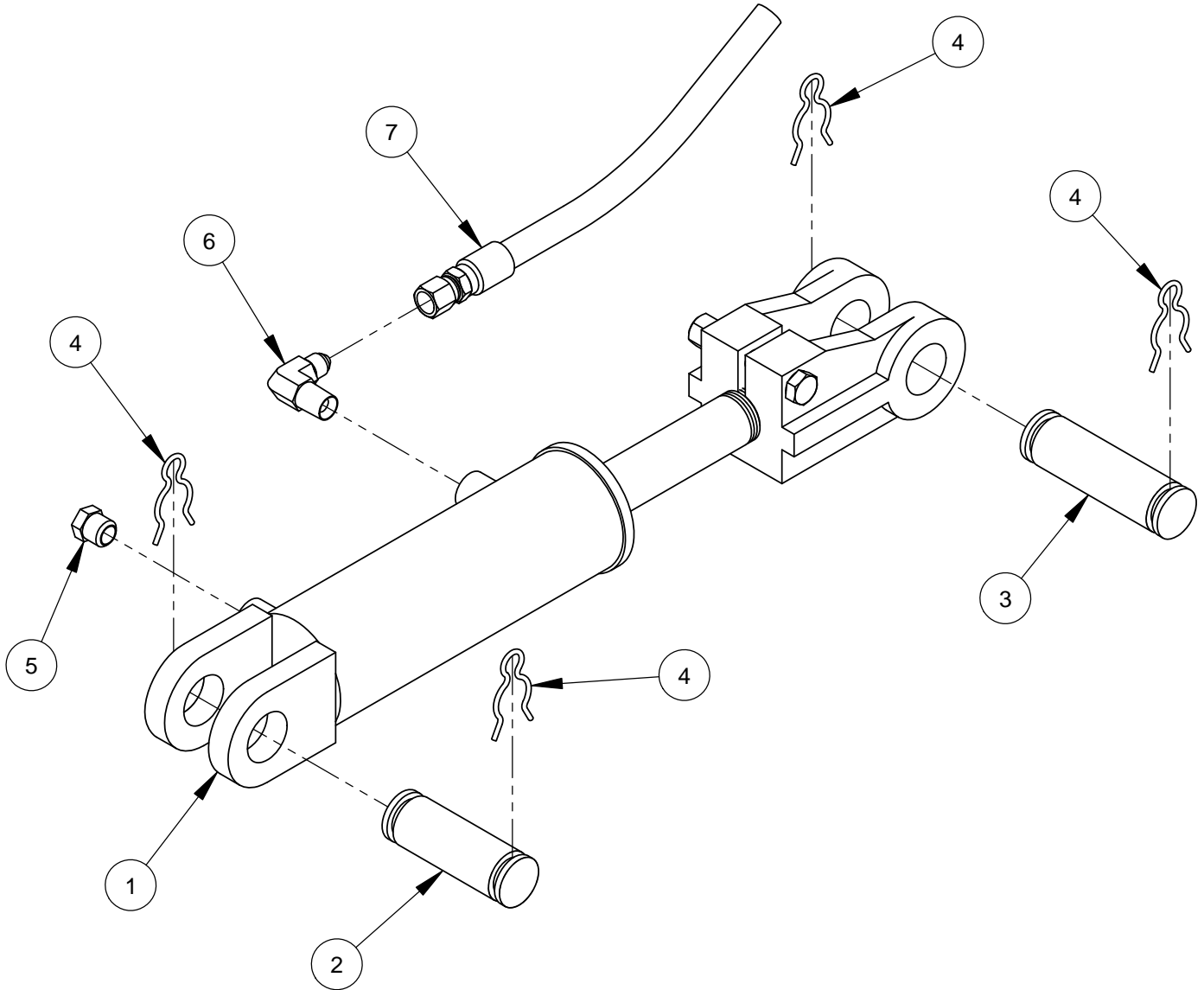
ITEM	PART NO.	QTY.	DESCRIPTION
1	6010067	1	Bell Crank
2	2900153	2	Friction Washer, 3/8"
3	2900029	6	Cap Screw, Hex Hd., 3/8-16 x 1-1/2"
4	2900014	14	Flat Washer, 3/8" SAE
5	2900018	7	Lock Nut, 3/8-16 Nylon
6	2900047	1	Cap Screw, Hex Hd., 3/8-16 x 1-3/4"
7	2900006	1	Lock Washer, 3/8" Split
8	2900033	1	Hex Nut, 3/8-16
9	6010704	1	Linkage Assembly 5-1/8"
10	6010705	1	Linkage Assembly 6-1/4"
11	6010706	1	Linkage Assembly 8"

## Rear Axle Assembly #6010743



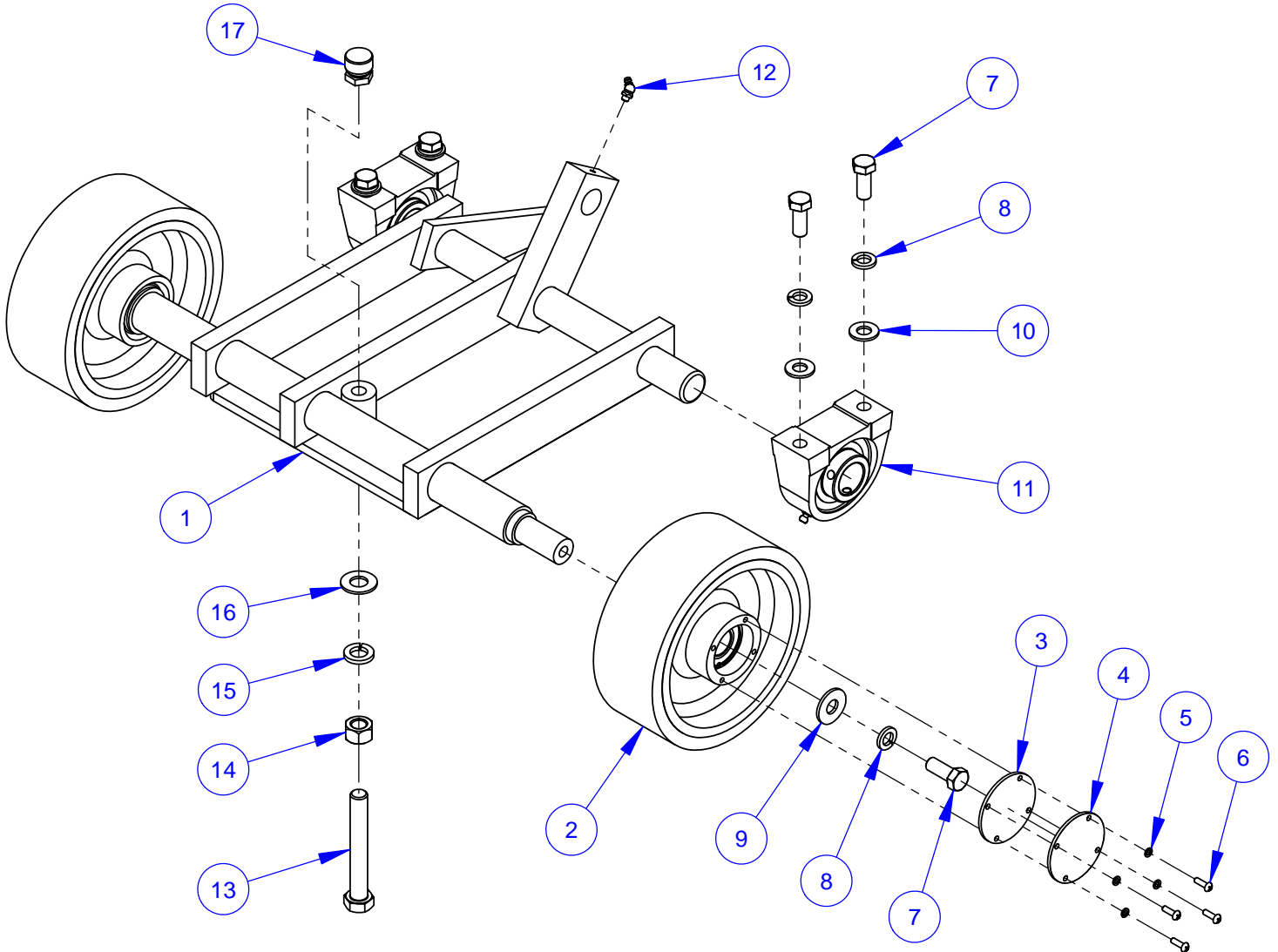
ITEM	PART NO.	QTY.	DESCRIPTION
1	6010686	1	Rear Axle Weldment w/60 Tooth Gear
2	2500873	2	Wheel, 10" Rear with 2" Bore
3	2500874	2	Trantorque Bushing, 1-1/4"
4	2500158	2	Pillow Block Bearing 1-1/4"
5	6010024	2	Rear Axle Bearing Spacer, 1/8"
6	2900058	4	Flat Washer, 1/2" SAE
7	2900084	4	Lock Washer, 1/2" Split
8	2900139	4	Cap Screw, Hex Hd., 1/2-13 x 1-3/4"

## Hydraulic Cylinder Assembly #6010714



ITEM	PART NO.	QTY.	DESCRIPTION
1	2500177	1	Hydraulic Cylinder
2	6010031	1	Cylinder Pin, 1" Dia. x 3" Long
3	6010119	1	Cylinder Pin, 1" Dia. x 3-1/2" Long
4	2900064	4	Hair Pin Cotter, 3/4"
5	3200067	1	Breather Vent, 1/4" NPT
6	3200057	1	Elbow, 1/4" M. Pipe to 1/4" M. JIC
7	3200054	1	Hose Assembly, 32" Long

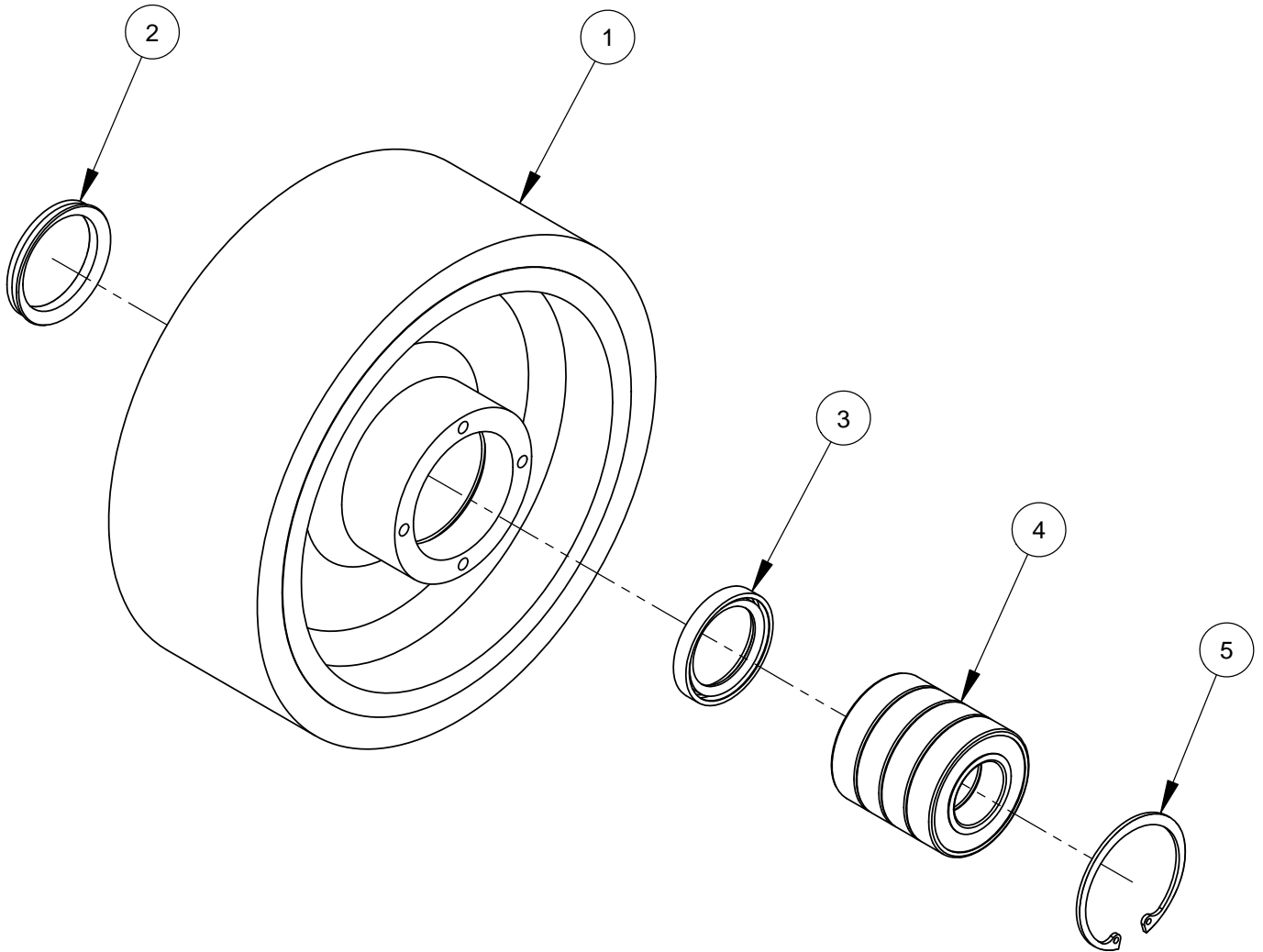
## Front Axle Assembly #6010746



ITEM	PART NO.	QTY.	DESCRIPTION
1	6010747	1	Front Axle Weldment
2	6010581	2	Wheel Assembly, 8" Front
3	2501393	2	Wheel Cover Gasket
4	6010536	2	Wheel Cover
5	2900038	8	Lock Washer, #10 Split
6	2900159	8	Machine Screw, Rd. Hd., #10-24 x 5/8"
7	2900025	6	Cap Screw, Hex Hd., 1/2-13 x 1-1/4"
8	2900084	6	Lock Washer, 1/2" Split
9	2900127	2	Flat Washer, 1/2" USS
10	2900058	4	Flat Washer, 1/2" SAE
11	2500158	2	Pillow Block Bearing 1-1/4"
12	2900184	1	Grease Fitting, 1/4" NPT x 45 degree
13	2900514	1	Tap Bolt, Hex Hd., 5/8-11 x 4-1/2"
14	2900112	1	Hex Nut, 5/8-11
15	2900113	1	Lock Washer, 5/8" Split
16	2900002	1	Flat Washer, 5/8" SAE
17	2900446	1	Swivel Pad Nut, 5/8-11

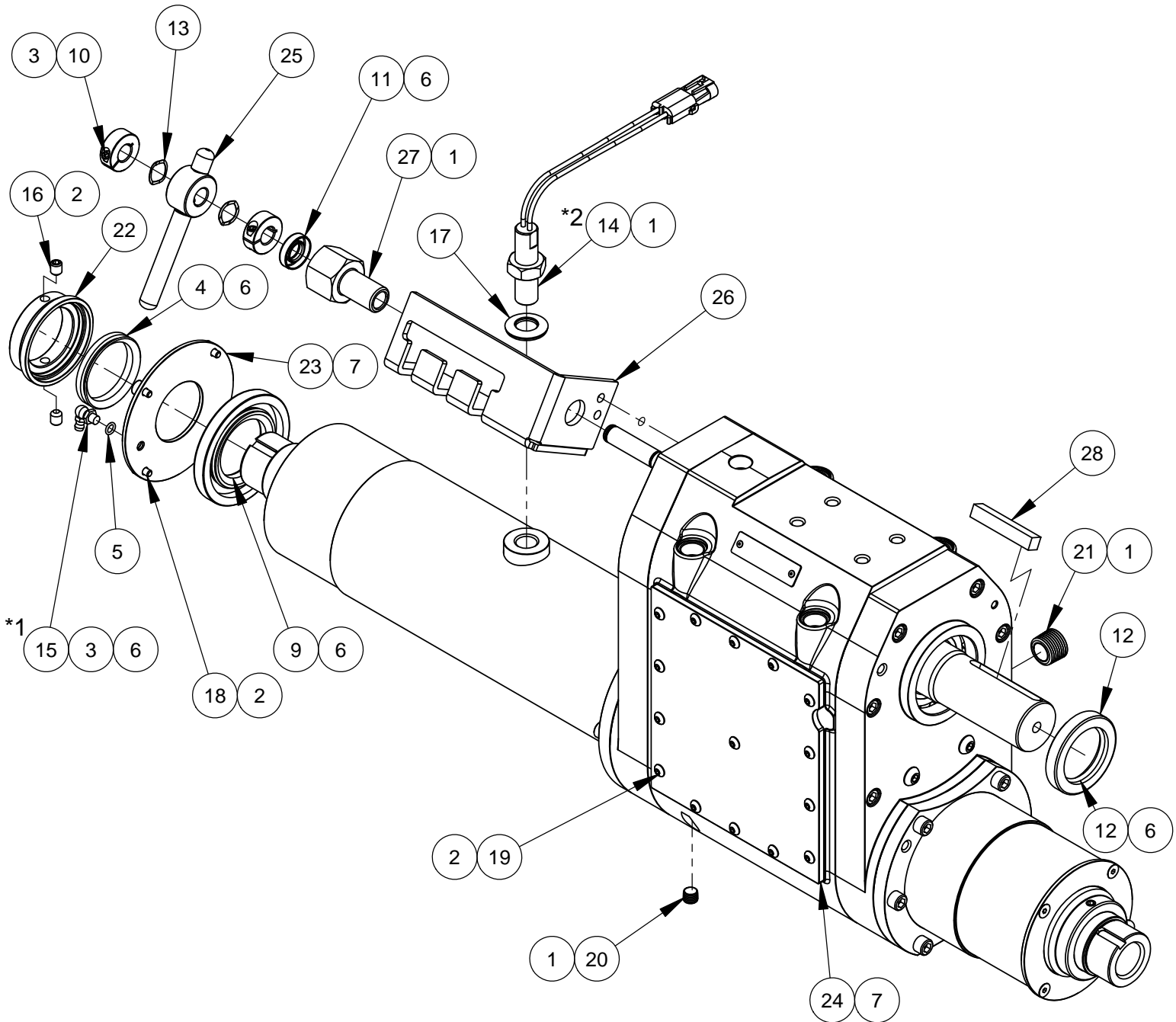


## Front Wheel Assembly #6010581



ITEM	PART NO.	QTY.	DESCRIPTION
1	2501390	1	Wheel, 8" Front
2	2501428	1	Seal, 1-1/2" V-Ring
3	2501391	1	Seal, 1-1/4" x 1-3/4" x 1/4"
4	2501418	4	Ball Bearing, 1" x 2" x 1/2"
5	2501392	1	Retaining Ring, 2" Internal

**Trans Asm:3-Spd: 33.6" HD #6018282**



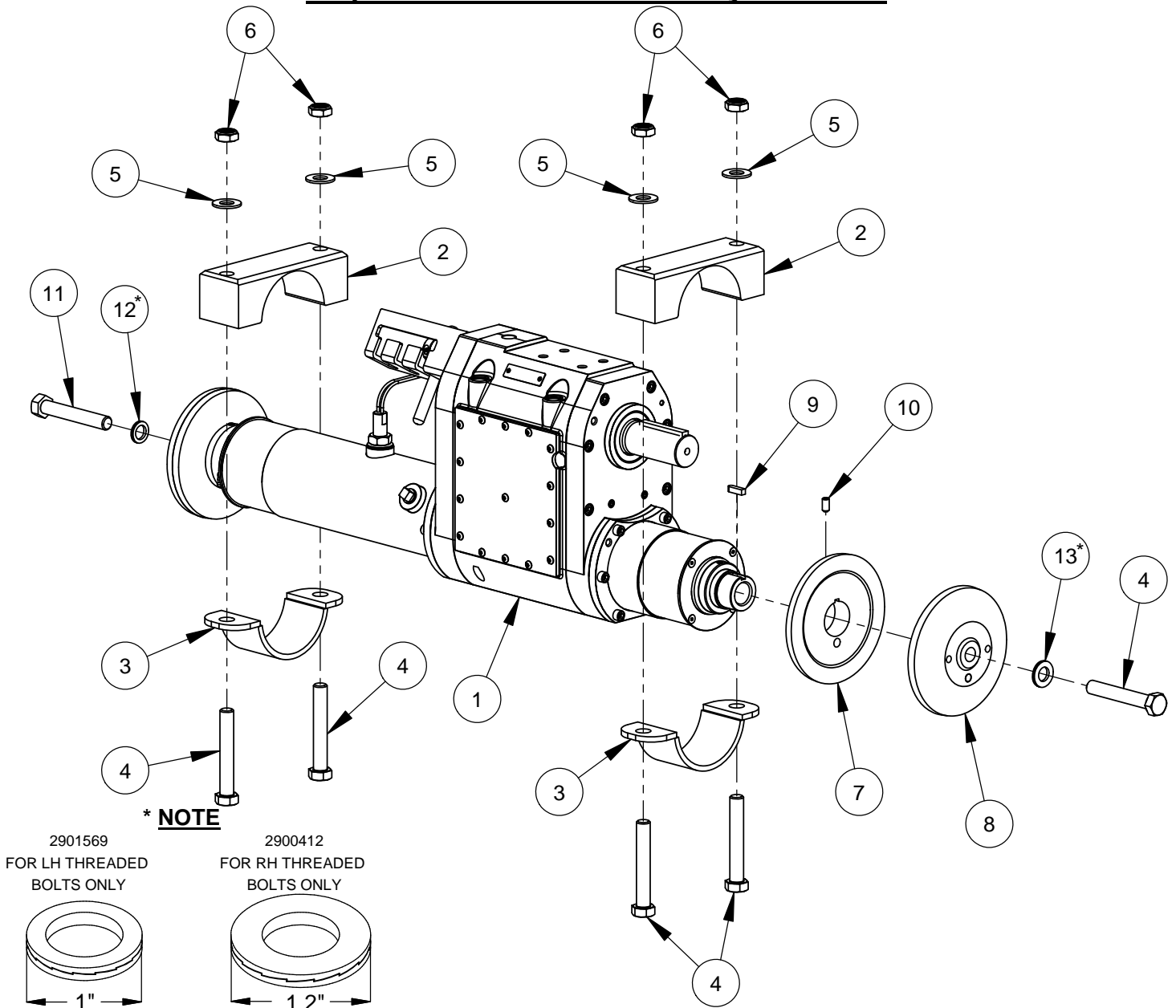
**NOTE:**

1. It may be necessary to grind grease fitting 2900061 flush to back of seal retainer 6018049 when assembled with O-ring 2500939 prior to mounting to bladeshaft housings. Orient all fittings as shown.
2. Screw magnetic sensor into port until sensor tip touches OD of 60T gear, back sensor out 1/2 turn and lock in place with jam nut supplied with sensor.

**Trans Asm:3-Spd: 33.6" HD #6018282**

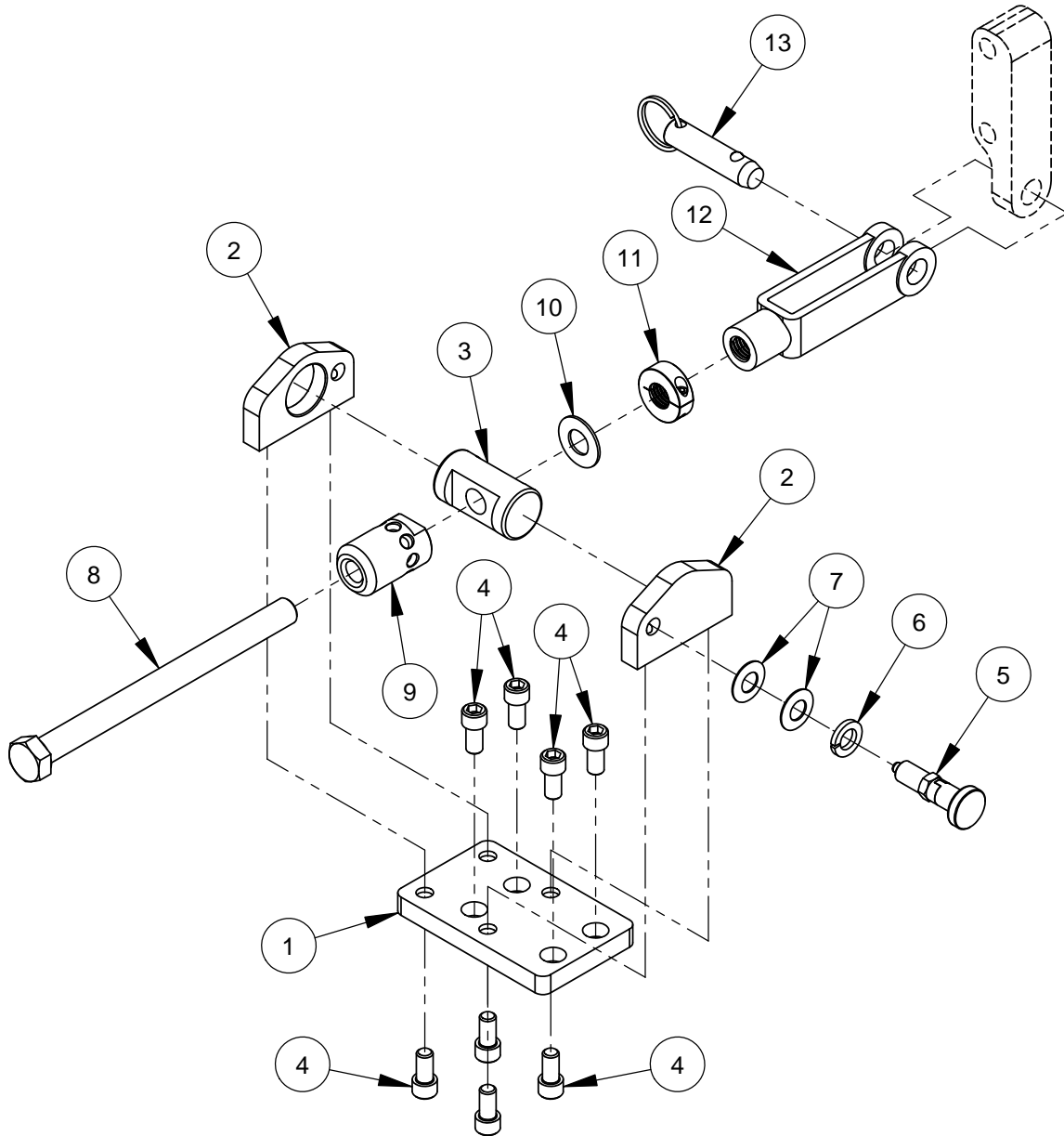
ITEM	PART NO.	QTY.	DESCRIPTION
1	2401311	AR	Loctite #567 Thread Sealant
2	2401315	AR	Loctite #242 Blue
3	2401316	AR	Loctite #262 Red
4	2500751	2	Seal, 1-3/4" V-Ring
5	2500939	2	O-Ring, AS568A - 010
6	2502046	AR	Grease, Fuchs Synthetic
7	2503802	AR	Permatex Ultra Black
8	2503930	3 qt	Gear Oil, 75W90 Synthetic
9	2503944	2	Oil Seal, 45 x 85 x 10mm
10	2504769	2	1/2" Split Shaft Collar
11	2506441	1	Oil Seal, 1/2 x 1.00 x 1/4"
12	2506443	1	Oil Seal, 40 x 60 x 10mm
13	2506445	2	1/2" Wave Washer
14	2800169	1	Magnetic Sensor w/Jam Nut
15	2900061	2	Grease Fitting, 1/4-28 x 90 Degree
16	2900142	4	Set Screw, Soc. Hd., 5/16-18 x 3/8"
17	2900805	1	Sealing Washer, 5/8"
18	2900978	8	Cap Screw, Flat Hd., #10-24 x 1/2"
19	2901312	30	Cap Screw, Button Hd., #10-24 x 1/2"
20	3200001	2	Plug, 1/8" NPT
21	3202334	1	1/2" NPTF Magnetic Pipe Plug
22	6018028	2	V-Ring Cover
23	6018049	2	Seal Retainer
24	6018056	2	Heat Exchanger Cover Plate
25	6018063	1	Shift Lever Assembly
26	6018064	1	Shift Bracket
27	6018065	1	Shifter Housing
28	6047959	1	Key, 3/8" Sq. x 2-1/4"

### 3 Speed Blade Shaft Assembly #6010941



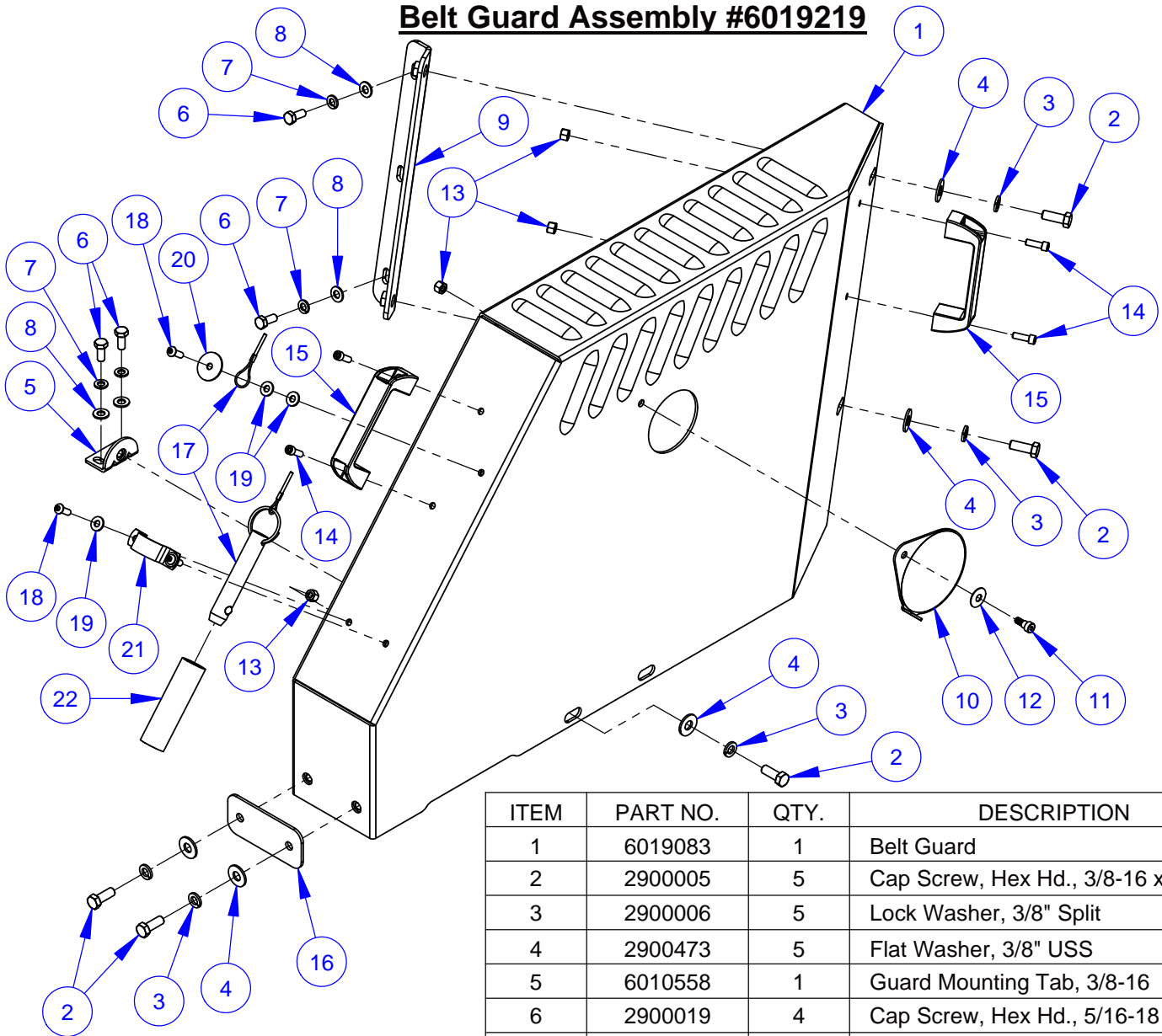
ITEM	PART NO.	QTY.	DESCRIPTION
1	6018282	1	Trans Asm: 3-Spd: 33.6" HD
2	6010980	2	Clamp Block
3	6010981	2	Saddle Clamp
4	2900146	5	Cap Screw, Hex Hd., 5/8-11 x 4"
5	2900002	4	Flat Washer, 5/8" SAE
6	2900753	4	Jam Lock Nut, 5/8-11
7	6010038	2	Inner Flange 6"
8	6010039	2	Outer Flange 6" with Pin
9	6010040	2	Key, 1/4" Sq. x 15/16"
10	2900418	2	Set Screw, Soc. Hd., 5/16-18 x 5/8"
11	2900130	1	Cap Screw, Hex Hd., 5/8-11 x 4" LH
12	2901569	1	Lock Washer, Wedge 5/8" LH
13	2900412	1	Lock Washer, Wedge 5/8"

## Belt Tensioner Assembly #6019129



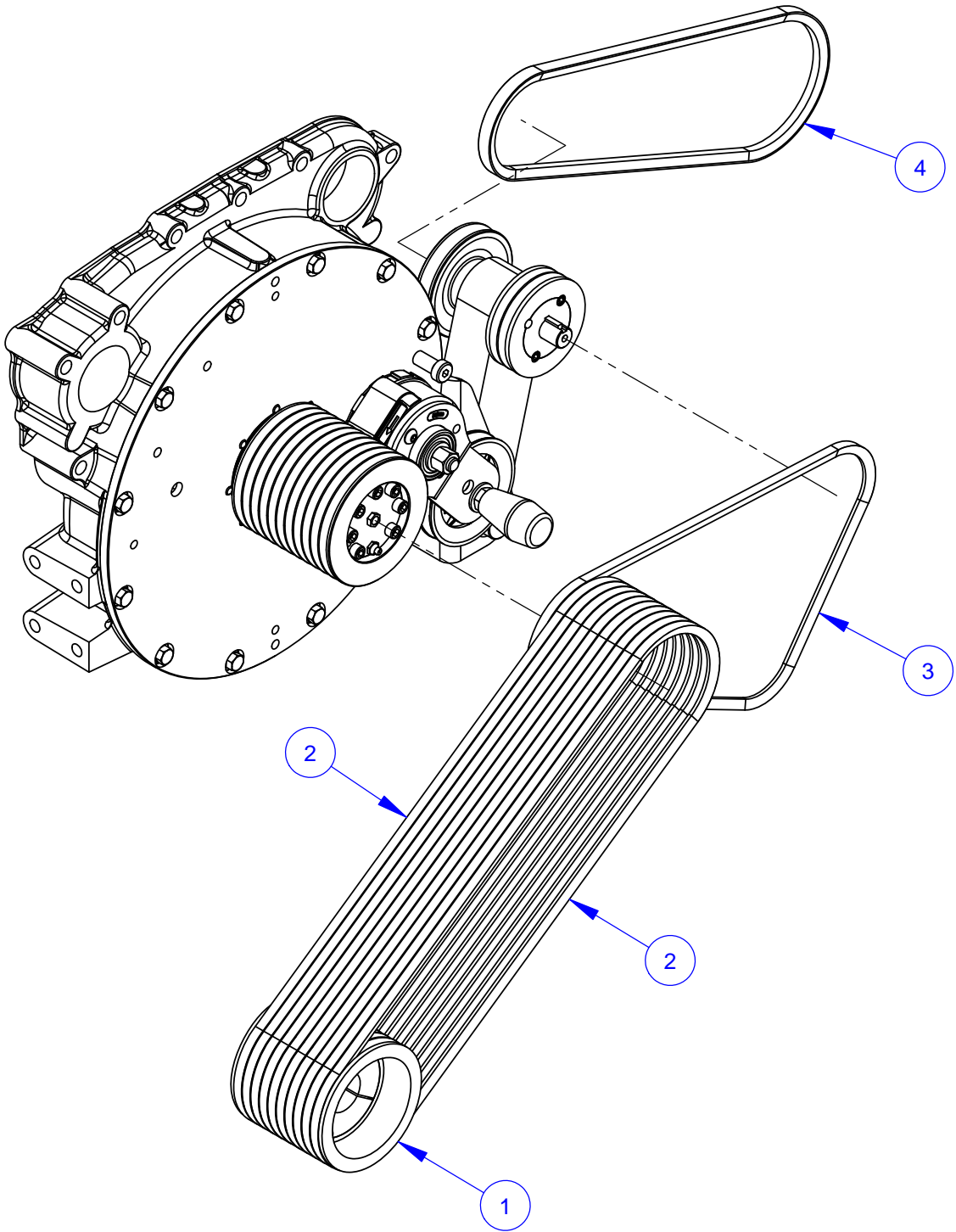
ITEM	PART NO.	QTY.	DESCRIPTION
1	6019040	1	Clevis Base
2	6019041	2	Clevis Flange
3	6010976	1	Clevis Pin
4	2900976	8	Cap Screw, Soc. Hd., 3/8-16 x 3/4"
5	2400138	1	Indexing Plunger 1/2-13
6	2900084	1	Lock Washer, 1/2" Split
7	2900665	2	Belleville Washer, 1/2"
8	2901392	1	Tap Bolt, Hex Hd., 5/8-11 x 8"
9	6019042	1	Detent Nut
10	2901561	1	Thrust Washer, 5/8"
11	2503968	1	Collar, 5/8-11 Split
12	2503967	1	Yoke, 5/8-11
13	2901371	1	Lock Pin with Ring

## Belt Guard Assembly #6019219



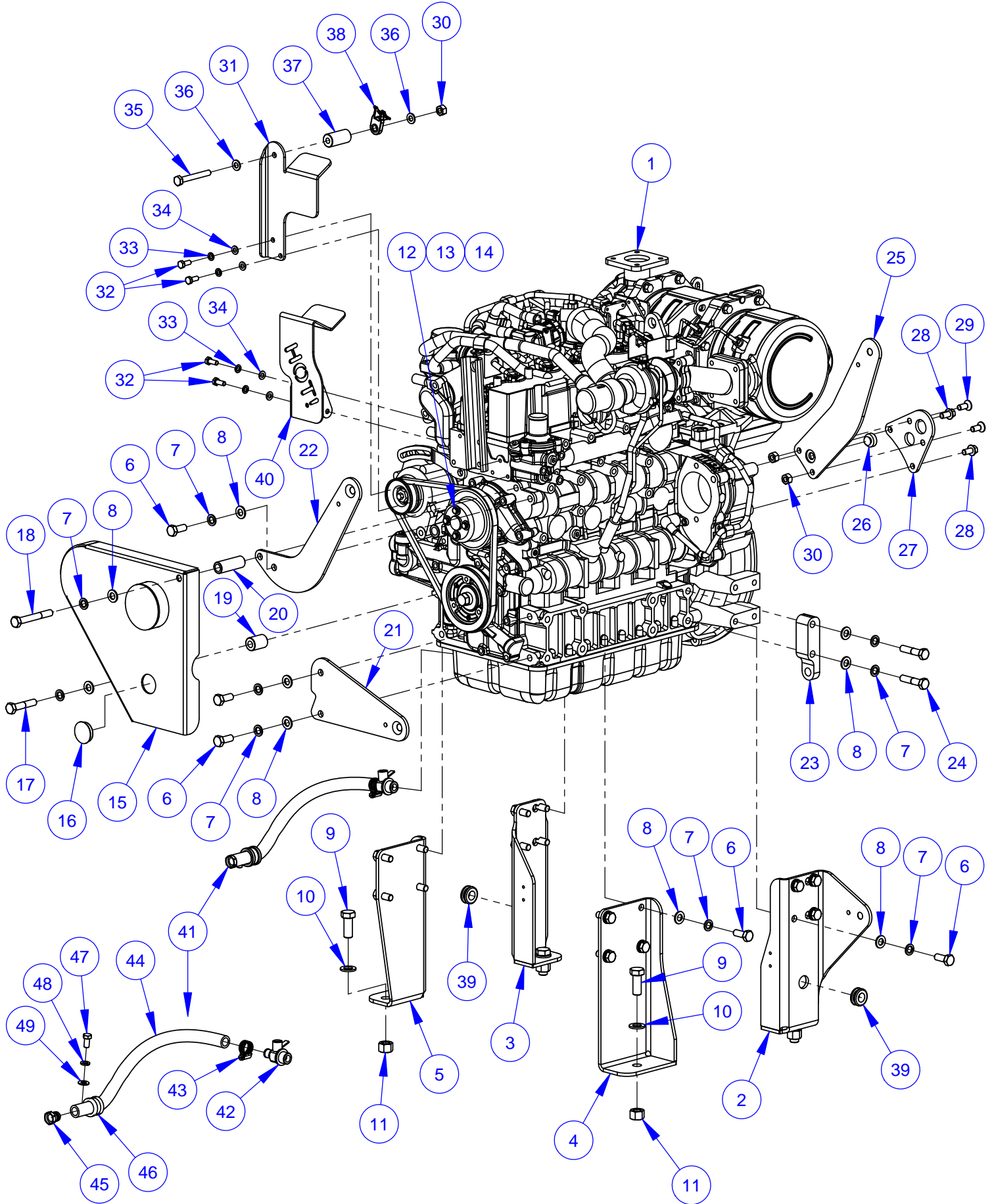
ITEM	PART NO.	QTY.	DESCRIPTION
1	6019083	1	Belt Guard
2	2900005	5	Cap Screw, Hex Hd., 3/8-16 x 1"
3	2900006	5	Lock Washer, 3/8" Split
4	2900473	5	Flat Washer, 3/8" USS
5	6010558	1	Guard Mounting Tab, 3/8-16
6	2900019	4	Cap Screw, Hex Hd., 5/16-18 x 3/4"
7	2900031	4	Lock Washer, 5/16" Split
8	2900022	4	Flat Washer, 5/16" SAE
9	6010556	1	Belt Guard Mount Bracket
10	6010768	1	Swing Cover Plate with Label
11	2900246	1	Shoulder Screw, 5/16" x 1/4" (1/4-20)
12	2900252	1	Belleville Washer, 5/16"
13	2900010	8	Lock Nut, 1/4-20 Nylon
14	2900247	4	Cap Screw, Soc. Hd., 1/4-20 x 3/4"
15	2400145	2	Handle
16	6019147	1	Belt Guard Shim
17	2503824	1	Detent Pin with Lanyard
18	2900427	3	Cap Screw, Button Hd., 1/4-20 x 3/4"
19	2900009	4	Flat Washer, 1/4" SAE
20	2900083	1	Fender Washer, 1/4" x 1-1/4"
21	3202835	1	Hose Clamp
22	6019278	1	Hose, 7/8" I.D. x 4"

**Belt Drive Assembly #6019181**



ITEM	PART NO.	QTY.	DESCRIPTION
1	6017474	1	Sheave, 4.75" x 10 Groove w/Bushing
	2503792	1	Sheave, 4.75" x 10 Groove Taper Style
	2506455	1	Taper Bushing, 1-1/2" w/Setscrews
2	2500371	10	V-Belt, 3VX500
3	2500792	1	V-Belt, 3VX400
4	2503613	1	V-Belt, AX38

# Engine Assembly #6019220

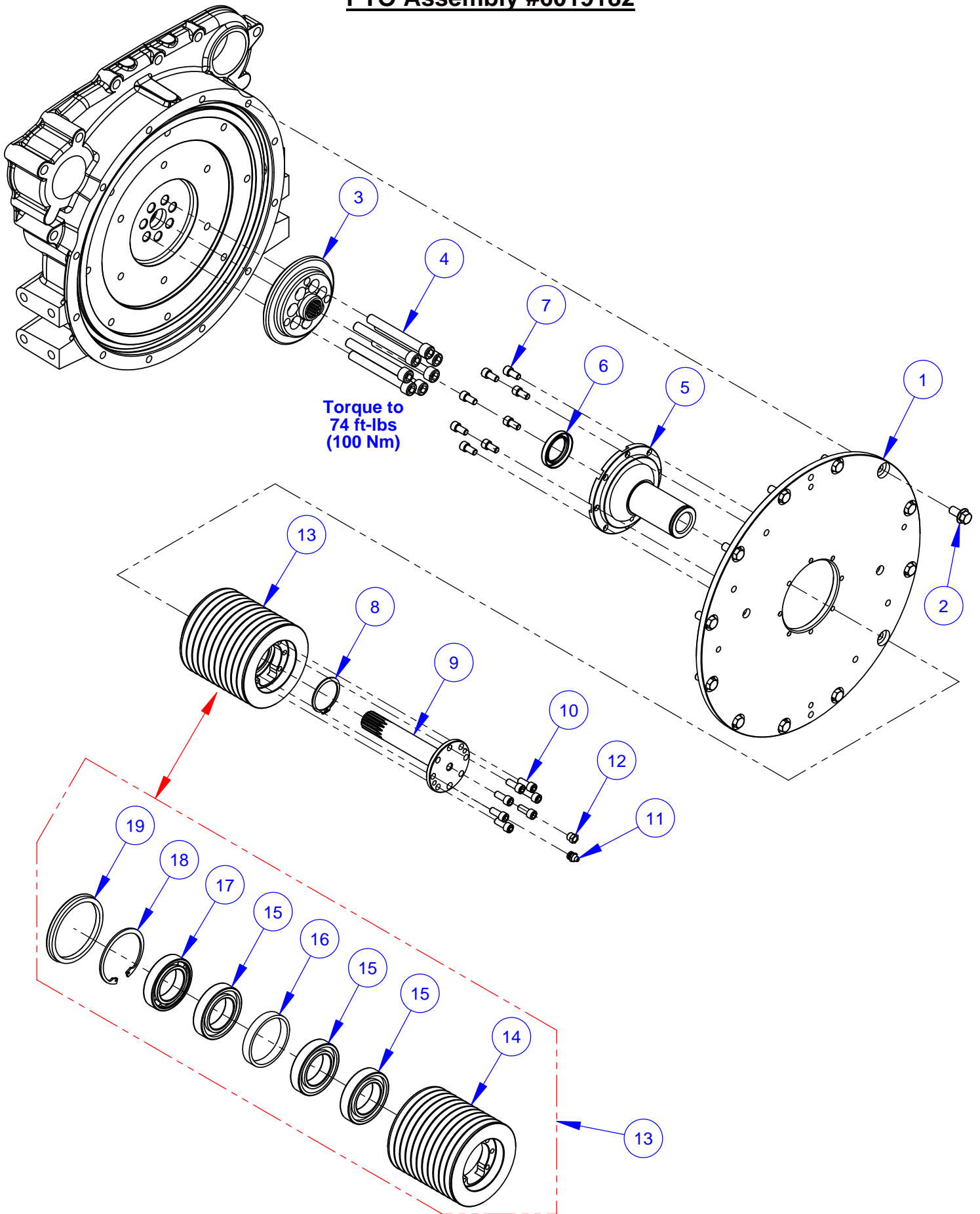




## Engine Assembly #6019220

ITEM	PART NO.	QTY.	DESCRIPTION
1	2600707	1	Engine, Kubota Model V2607 Tier 4
2	6019030	1	Engine Leg, Rear RH
3	6019031	1	Engine Leg, Rear LH
4	6019032	1	Engine Leg, Front RH
5	6019033	1	Engine Leg, Front LH
6	2900746	19	Cap Screw, Hex Hd., M12-1.25 x 30mm
7	2900699	23	Lock Washer, M12 Split
8	2901357	23	Flat Washer, M12
9	2900731	4	Cap Screw, Hex Hd., M16-2.0 x 40mm
10	2901358	4	Flat Washer, M16
11	2900670	4	Lock Nut, M16-2.0 Nylon Insert
12	2900341	4	Cap Screw, Hex Hd., M6-1.0 x 16mm
13	2900765	4	Lock Washer, M6 Split
14	2901359	4	Fender Washer, M6
15	6019079	1	Belt Guard, Engine
16	2500554	1	Plug, 1-1/2" Hole
17	2900886	1	Cap Screw, Hex Hd., M12-1.25 x 60mm
18	2900881	1	Cap Screw, Hex Hd., M12-1.25 x 90mm
19	6019085	1	Spacer, 1-3/8" long
20	6019097	1	Spacer, 2-1/2" long
21	6019034	1	Radiator Arm, Lower
22	6019035	1	Radiator Arm, Upper
23	6019039	1	Tensioner Anchor
24	2901573	2	Cap Screw, Hex Hd., M12-1.25 x 55mm
25	6019252	1	Radiator Arm, Upper Offset
26	2502389	1	Button Bumper
27	6019232	1	Radiator Arm Link
28	2901394	2	Flange Bolt, Hex Hd., M10-1.25 x 20mm
29	2900744	2	Cap Screw, Flat Hd., M10-1.5 x 25mm
30	2900304	3	Lock Nut, M10-1.5 Nylon Insert
31	6019265	1	Support Bracket
32	2900329	4	Cap Screw, Hex Hd., M8-1.25 x 20mm
33	2900763	4	Lock Washer, M8 Split
34	2901336	4	Flat Washer, M8
35	2900319	1	Cap Screw, Hex Hd., M10-1.5 x 80mm
36	2901356	2	Flat Washer, M10
37	6019266	1	Spacer, 2" Long
38	2501753	1	Hose Mount Support
39	2503742	2	Grommet, 11/16" I.D.
40	6019275	1	Heat Shield
41	6019089	1	Oil Drain Valve Assembly
ITEM	PART NO.	QTY.	DESCRIPTION
42	3200813	1	Oil Drain Valve, M22x1.5
43	3200016	1	Hose Clamp #8
44	6019086	1	Oil Drain Hose, 5/8" I.D. x 17"
45	3201728	1	Hose Plug
46	3201729	1	Hose Clamp, 1" x 3/4" Wide
47	2900196	1	Cap Screw, Hex Hd., 3/8-16 x 3/4"
48	2900006	1	Lock Washer, 3/8" Split
49	2900014	1	Flat Washer, 3/8" SAE

# PTO Assembly #6019182

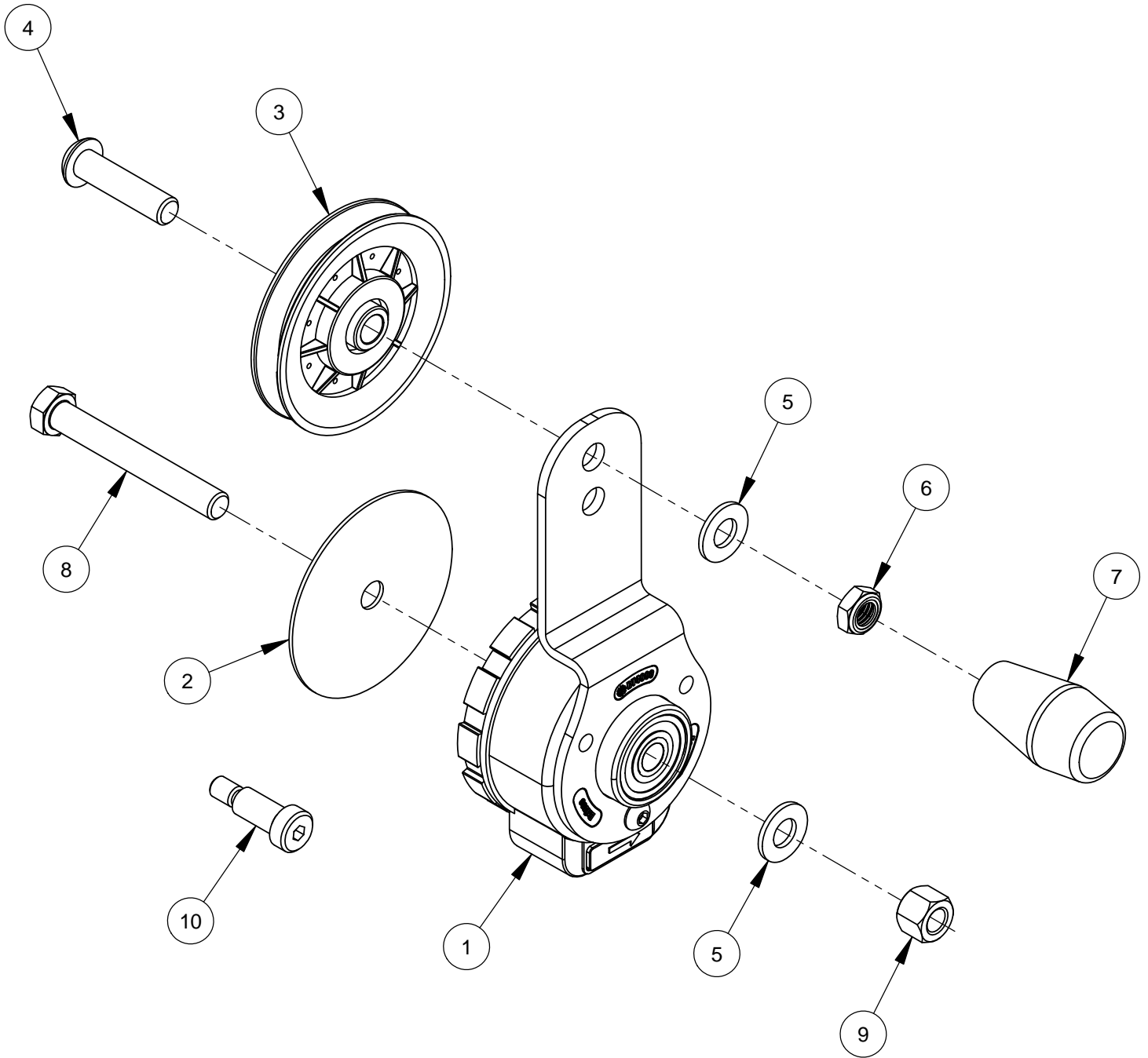


## PTO Assembly #6019182

ITEM	PART NO.	QTY.	DESCRIPTION
1	6019156	1	Inner Ring Support
2	2901394	11	Flange Bolt, Hex Hd., M10-1.25 x 20mm
3	6019141	1	Coupling Hub
4	2900882	7	Cap Screw, Soc. Hd., M12-1.25 x 100mm
5	6019062	1	Shaft Support Sleeve
6	2503666	1	Seal, 1-3/8" x 2" x 5/16"
7	2900898	8	Cap Screw, Soc. Hd., 5/16-18 x 5/8"
8	2503758	1	Retaining Ring, 45mm External
9	6019064	1	Splined Drive Shaft
10	2900912	7	Cap Screw, Soc. Hd., 5/16-18 x 3/4"
11	2900062	1	Grease Fitting, 1/8" NPT
12	3201998	1	Breather Vent, 1/8" NPT
13	6019183	1	Sheave Assembly

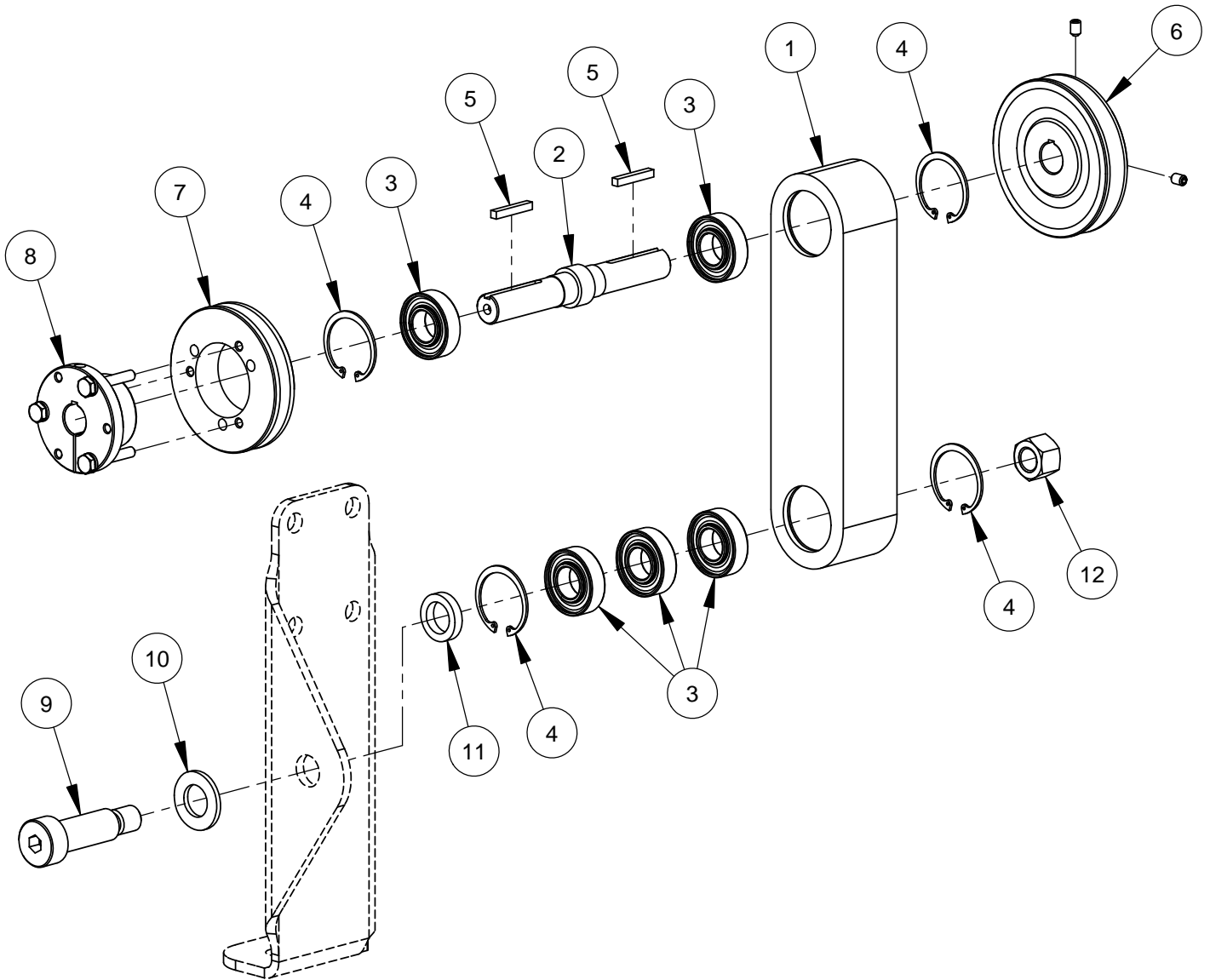
ITEM	PART NO.	QTY.	DESCRIPTION
14	6019157	1	Sheave, 4.75" x 11 Groove
15	2503760	3	Ball Bearing, 45 x 75 x 16 open
16	6019066	1	Bearing Spacer, 75 x 12
17	2503759	1	Ball Bearing, 45 x 75 x 16 w/seal
18	2503757	1	Retaining Ring, 75mm Internal
19	2503756	1	Seal, 80mm V-Ring

## Rotary Tensioner Assembly #6019003



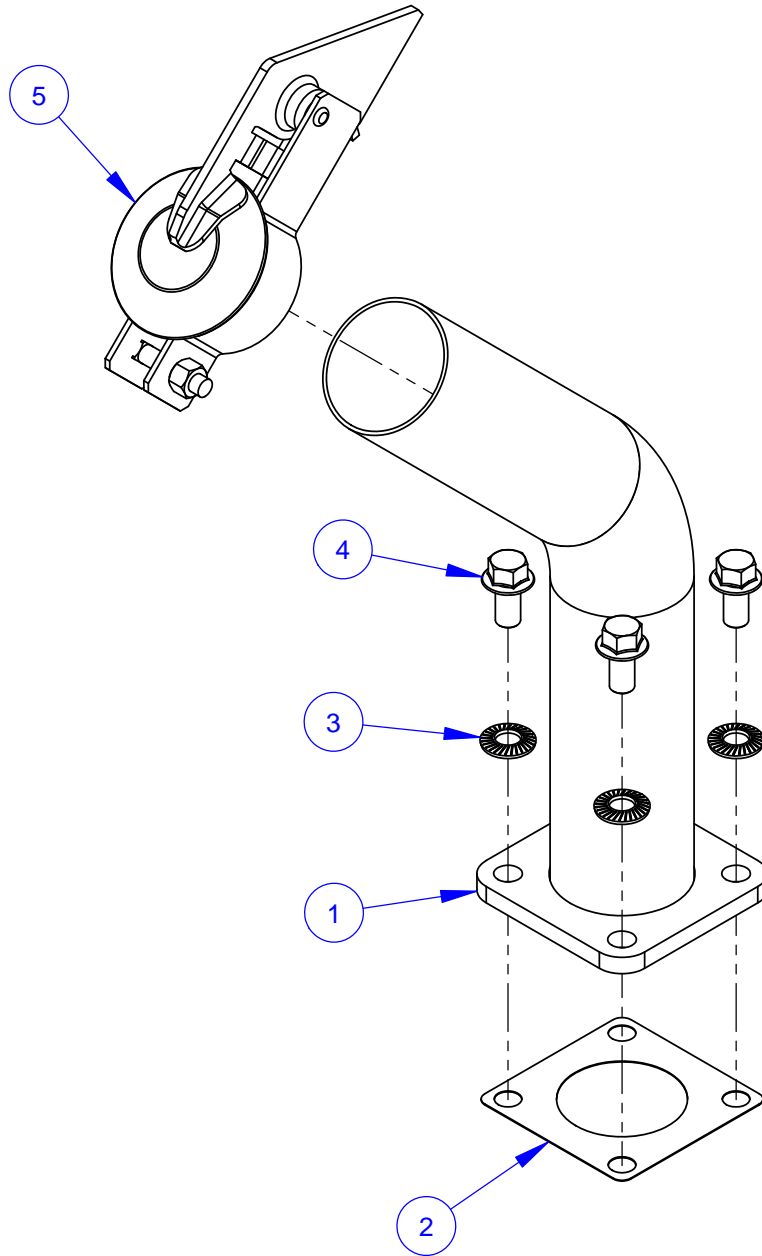
ITEM	PART NO.	QTY.	DESCRIPTION
1	2501750	1	Rotary Tensioner
2	6019067	1	Rotary Tensioner Shim
3	2501751	1	Idler Pulley 4"
4	2900288	1	Cap Screw, Button Hd., 1/2-13 x 2"
5	2900058	2	Flat Washer, 1/2" SAE
6	2900543	1	Jam Lock Nut, 1/2-13
7	2501754	1	Knob, 1/2-13 Tapered
8	2900400	1	Cap Screw, Hex Hd., 1/2-13 x 3-3/4"
9	2900026	1	Lock Nut, 1/2-13 Nylon
10	2900587	1	Shoulder Screw, 1/2" x 1" (3/8-16)

## Transmission Jackshaft Assembly #6019106



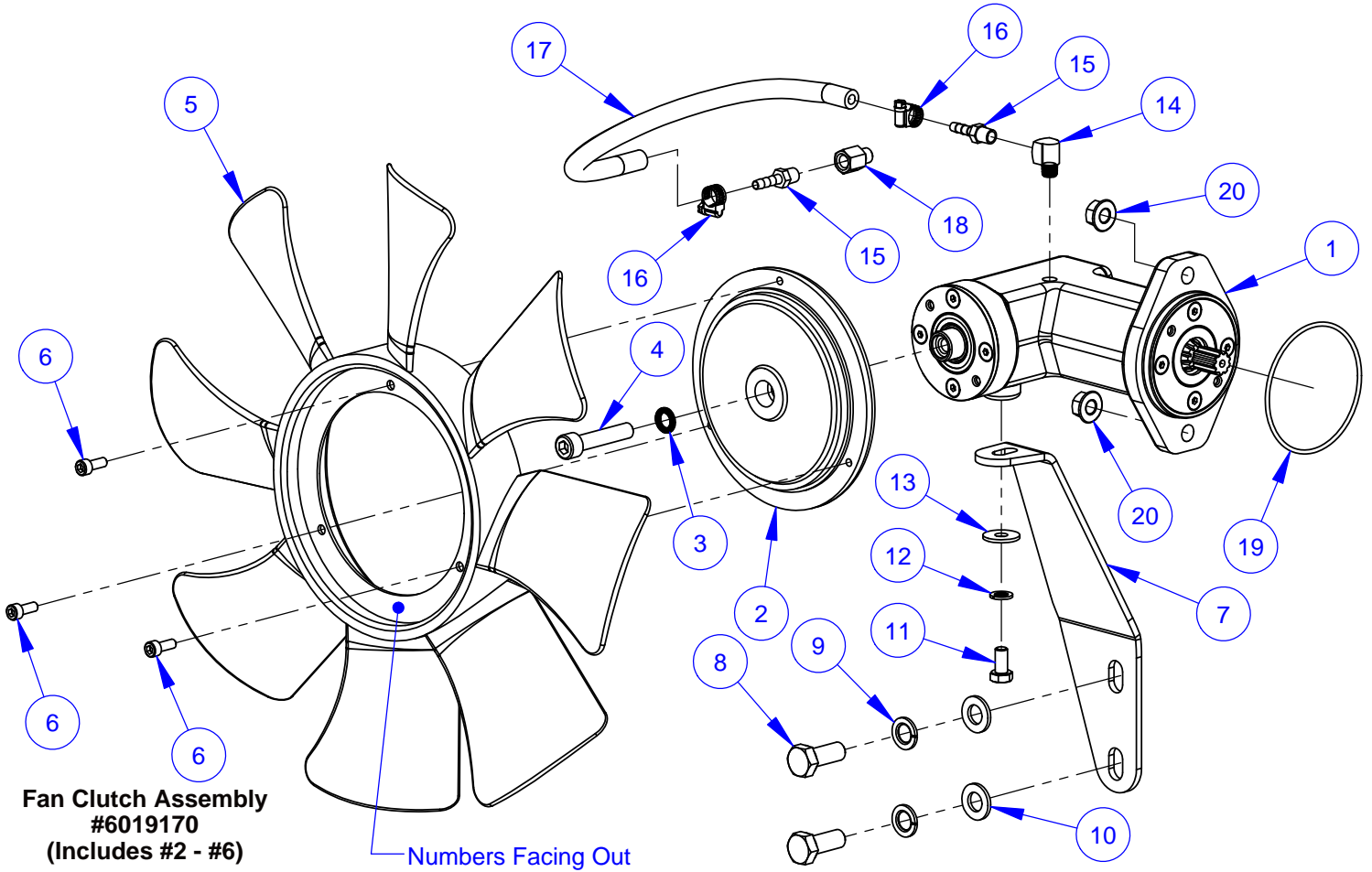
ITEM	PART NO.	QTY.	DESCRIPTION
1	6010667	1	Jackshaft Pivot Housing
2	6010666	1	Idler Jackshaft
3	2501743	5	Ball Bearing, 20mm x 42mm x 12mm
4	2501748	4	Retaining Ring, 42mm Internal
5	6048229	2	Key, 3/16" Sq. x 1-1/4"
6	2500455	1	Pulley, 4" with Setscrews
7	2503672	1	Sheave, 3.65"
8	2503845	1	QD Bushing, SH x 3/4" w/Fasteners
9	2901372	1	Shoulder Bolt, 20mm x 50mm (M16-2.0)
10	2900003	1	Flat Washer, 3/4" SAE
11	6010685	1	Bearing Spacer, 1/4"
12	2900670	1	Lock Nut, M16-2.0 Nylon Insert

## Exhaust Pipe Assembly #6019209



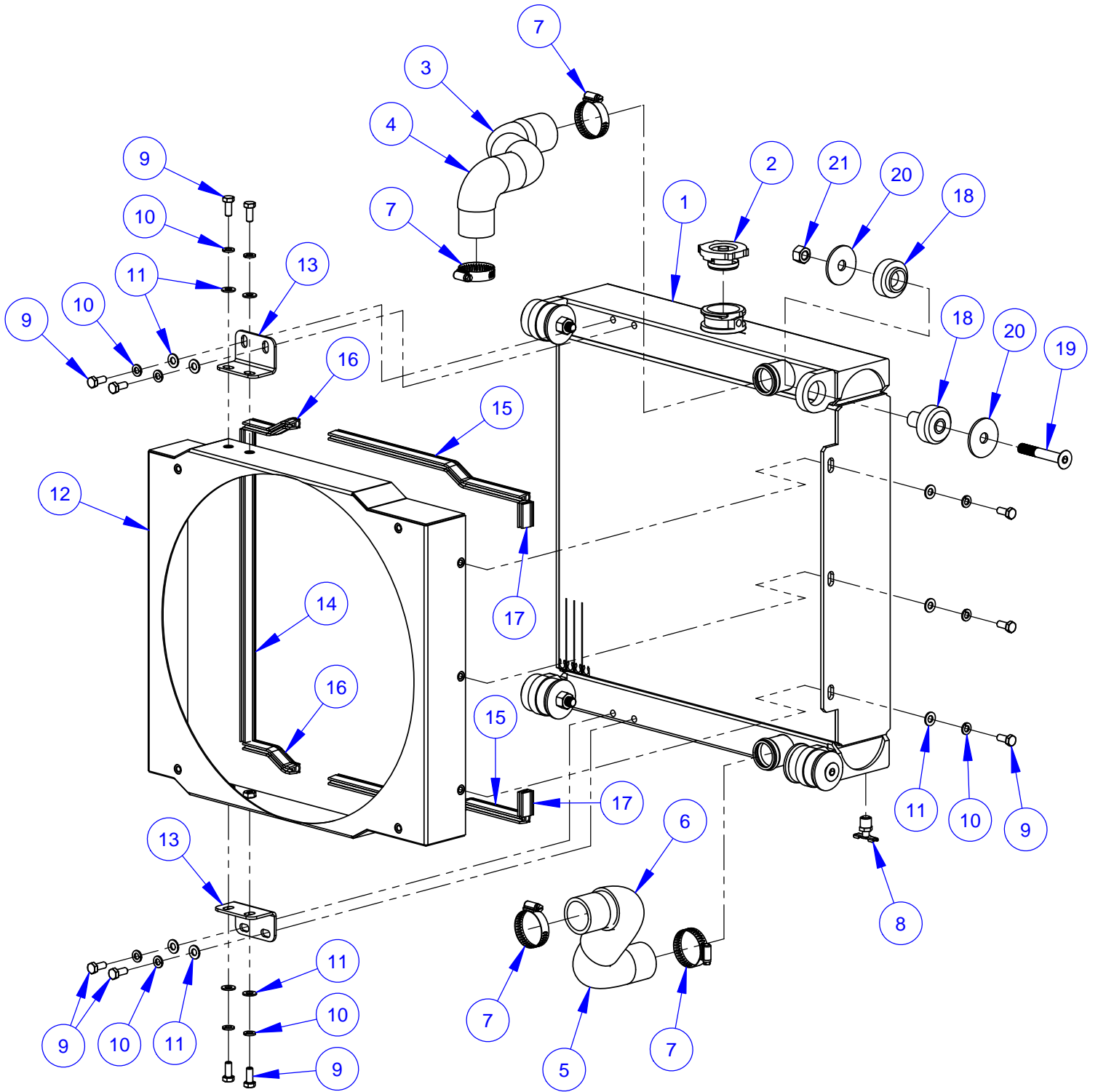
ITEM	PART NO.	QTY.	DESCRIPTION
1	6019236	1	Exhaust Tail Pipe
2	2705154	1	Exhaust Flange Gasket
3	2900474	4	Belleville Washer
4	2901394	4	Flange Bolt, Hex Hd., M10-1.25 x 20mm
5	2704973	1	Rain Cap 2-1/4"

## Clutch Fan Drive Assembly #6019169B



ITEM	PART NO.	QTY.	DESCRIPTION
1	6019176	1	Right Angle Drive Assembly
2	2504585	1	Fan Clutch
3	2901575	1	Wedge Lock Washer Pair, M10
4	2901506	1	Cap Screw, Soc. Hd., M10-1.5 x 50mm
5	6019143	1	Cooling Fan, 17"
6	2900553	3	Cap Screw, Soc. Hd., M6-1.0 x 16mm
7	6019038	1	Fan Drive Brace
8	2900746	2	Cap Screw, Hex Hd., M12-1.25 x 30mm
9	2900699	2	Lock Washer, M12 Split
10	2901357	2	Flat Washer, M12
11	2900868	1	Cap Screw, Hex Hd., M8-1.25 x 16mm
12	2900763	1	Lock Washer, M8 Split
13	2900383	1	Fender Washer, M8
14	3200156	1	Street Elbow, 1/8" NPT
15	3200018	2	Fitting, 1/8" M. Pipe to 1/4" Hose Barb
16	3200062	2	Hose Clamp #4
17	6019188	1	Hose, 1/4" I.D. x 13" Long
18	3202099	1	Adapter, 1/8" M. BSPT to 1/8" F. Pipe
19	2503897	1	O-Ring, AS568A-152 Viton
20	2901398	2	Hex Flange Nut, M10-1.25

# Radiator Assembly #6019214

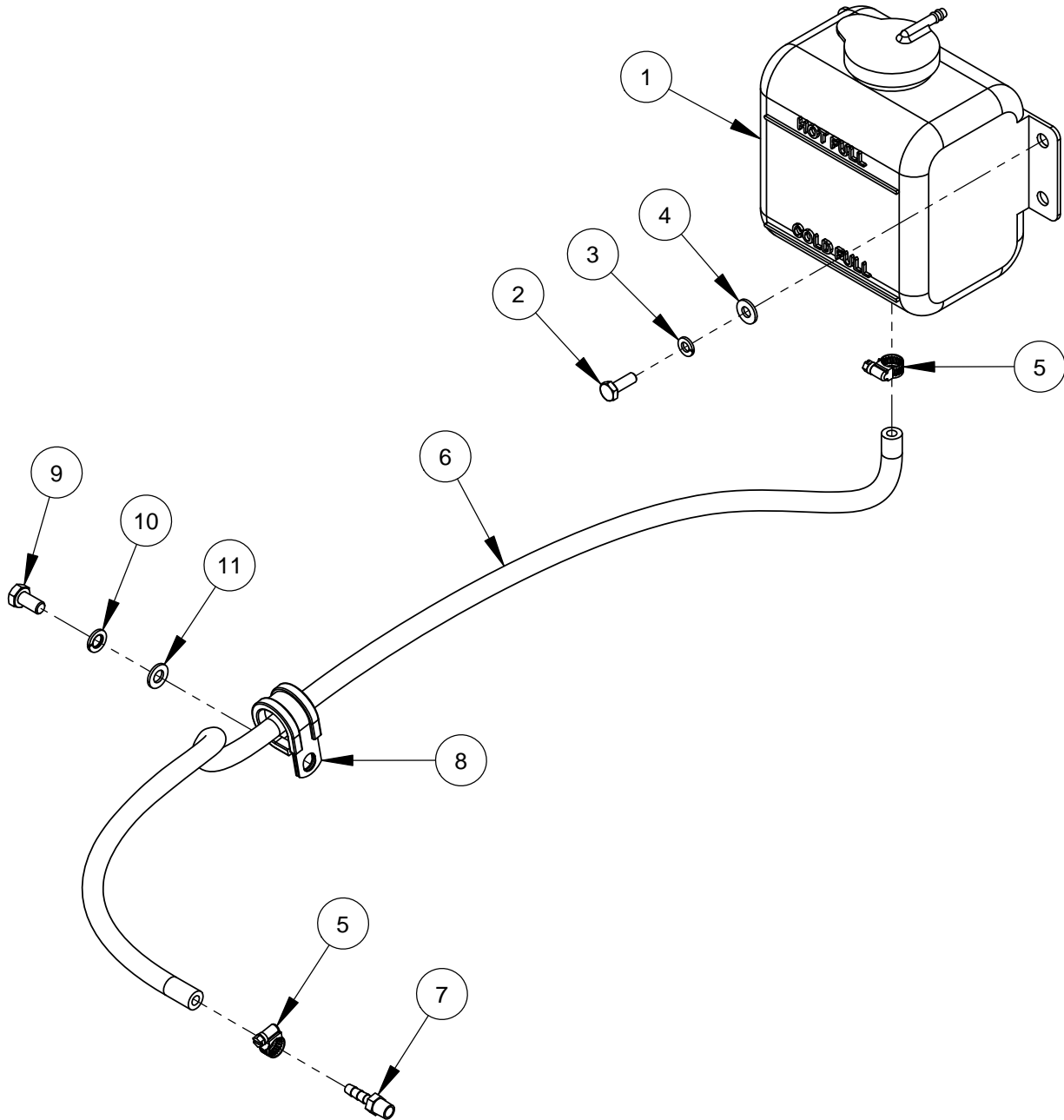




## Radiator Assembly #6019214

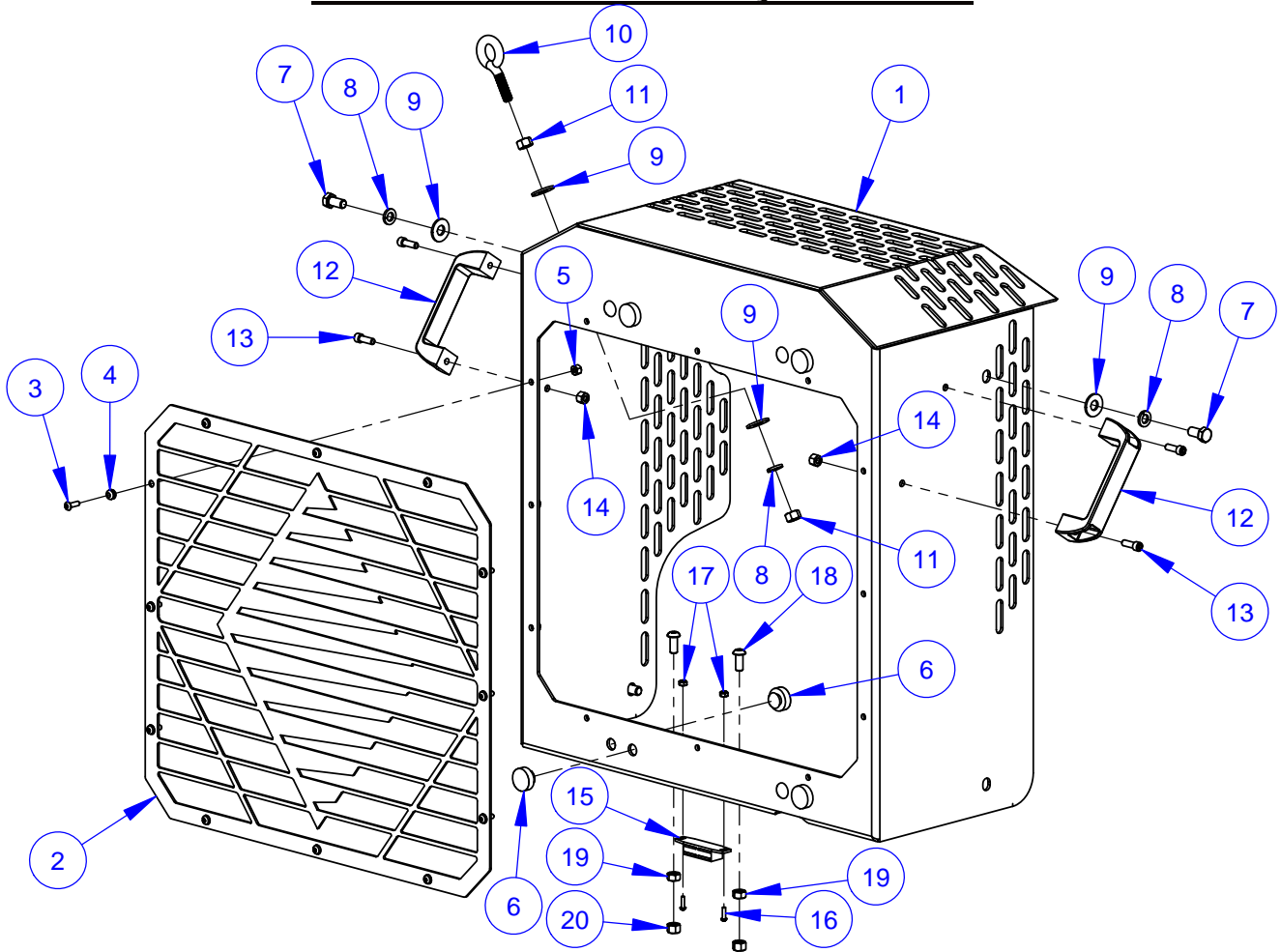
ITEM	PART NO.	QTY.	DESCRIPTION
1	2503664	1	Radiator
2	2502381	1	Radiator Cap
3	3202100	1	Radiator Hose, Upper
4	6019264	1	Hose Sleeving, 6" Long
5	3202089	1	Radiator Hose, Lower
6	6019121	1	Hose Sleeving, 6" Long
7	3202142	4	Hose Clamp #24
8	3200035	1	Petcock, 1/4" NPT
9	2900019	11	Cap Screw, Hex Hd., 5/16-18 x 3/4"
10	2900031	11	Lock Washer, 5/16" Split
11	2900022	11	Flat Washer, 5/16" SAE
12	6019060	1	Fan Shroud
13	6019059	2	Retainer Bracket
14	6019111	1	Edge Trim Seal 16-1/4"
15	6019112	2	Edge Trim Seal 13-3/4"
16	6019113	2	Edge Trim Seal 3-1/2"
17	6019114	2	Edge Trim Seal 1-1/4"
18	2503669	4	Vibration Isolator
19	2901391	4	Cap Screw, Flat Hd., M12-1.75 x 80mm
20	2900854	6	Fender Washer, 1/2" x 2"
21	2900327	4	Lock Nut, M12-1.75 Nylon Insert

## Coolant Tank Assembly #6019009



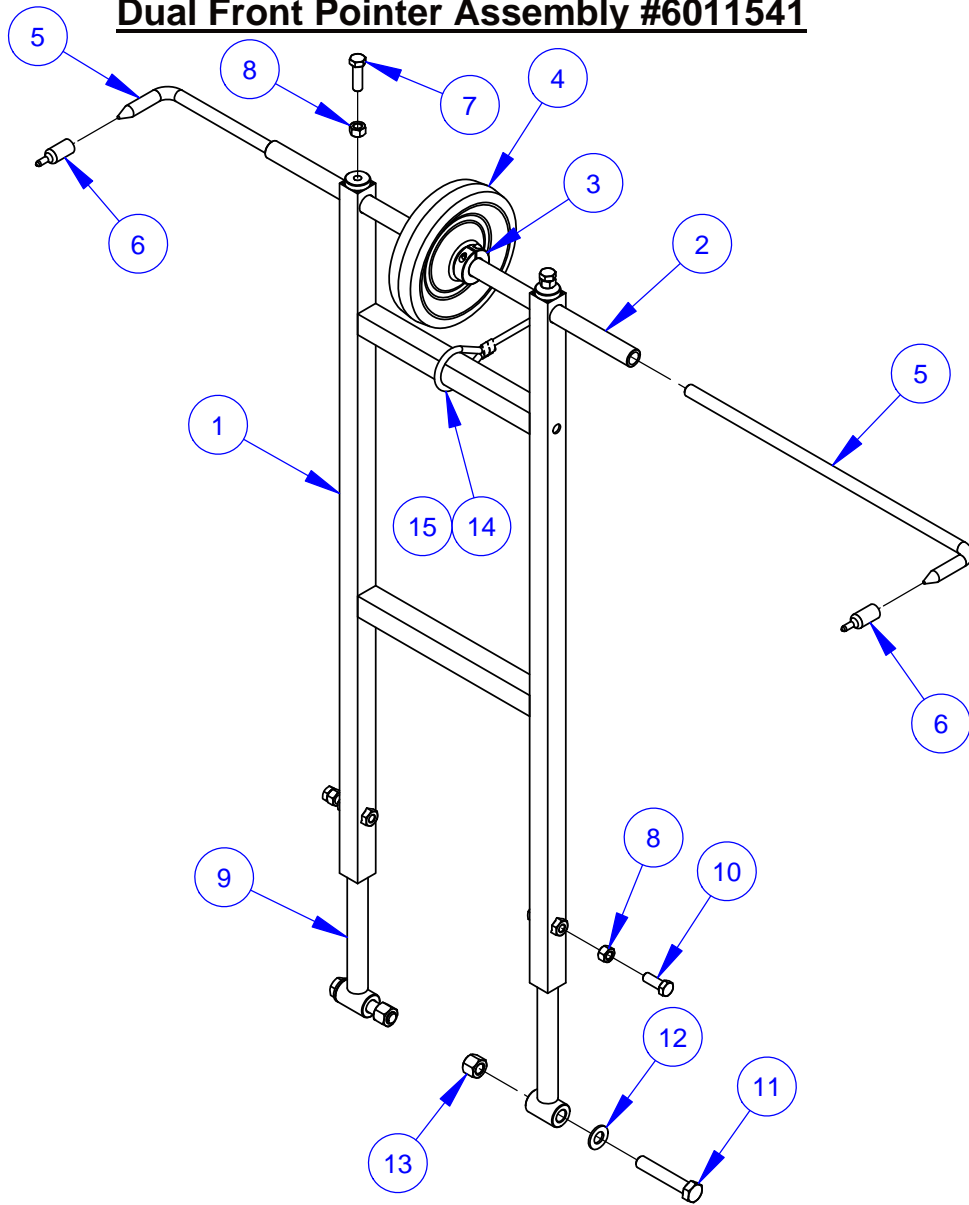
ITEM	PART NO.	QTY.	DESCRIPTION
1	2503716	1	Coolant Recovery Tank & Cap
2	2900144	1	Cap Screw, Hex Hd., 1/4-20 x 3/4"
3	2900024	1	Lock Washer, 1/4" Split
4	2900009	1	Flat Washer, 1/4" SAE
5	3200062	2	Hose Clamp #4
6	6019095	1	Hose, 1/4" I.D. x 42" Long
7	3200018	1	Fitting, 1/8" M. Pipe to 1/4" Hose Barb
8	3201729	1	Hose Clamp, 1" x 3/4" Wide
9	2900868	1	Cap Screw, Hex Hd., M8-1.25 x 16mm
10	2900763	1	Lock Washer, M8 Split
11	2901336	1	Flat Washer, M8

## Radiator Shroud Assembly #6019215B



ITEM	PART NO.	QTY.	DESCRIPTION
1	6019257	1	Radiator Shroud
2	6019076	1	Logo Grille
3	2901230	12	Cap Screw, Button Hd., #10-24 x 5/8"
4	2500962	12	Grommet, 3/16" I.D.
5	2900017	12	Lock Nut, #10-24 Nylon
6	2502389	8	Button Bumper
7	2900196	3	Cap Screw, Hex Hd., 3/8-16 x 3/4"
8	2900006	4	Lock Washer, 3/8" Split
9	2900473	5	Flat Washer, 3/8" USS
10	2900892	1	Eyebolt, 3/8-16 x 1-1/2"
11	2900033	2	Hex Nut, 3/8-16
12	2400145	2	Handle
13	2900247	4	Cap Screw, Soc. Hd., 1/4-20 x 3/4"
14	2900010	4	Lock Nut, 1/4-20 Nylon
15	2504561	1	Magnetic Catch
16	2900090	2	Machine Screw, Rd. Hd., #6-32 x 1/2"
17	2901325	2	Lock Nut, #6-32 Nylon
18	2901568	2	Cap Screw, Button Hd., 5/16-18 x 3/4"
19	2900141	2	Hex Nut, 5/16-18
20	2900039	2	Lock Nut, 5/16-18 Nylon

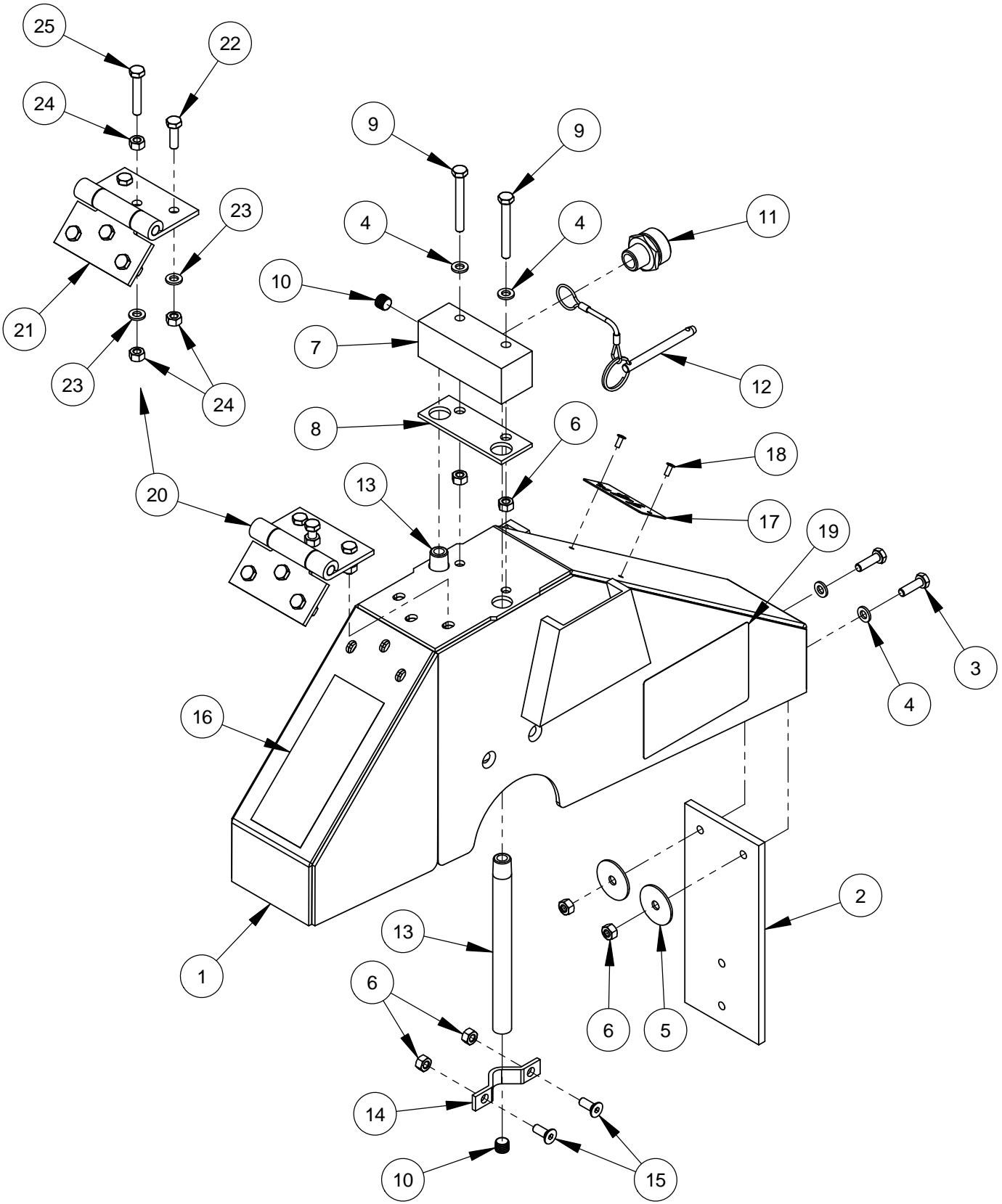
## Dual Front Pointer Assembly #6011541



ITEM	PART NO.	QTY.	DESCRIPTION
1	6011537	1	Front Pointer Frame
2	6011539	1	Pointer Tube, 20"
3	2504577	2	Shaft Collar, 3/4" Split
4	2504581	1	Wheel, 6"
5	6011536	2	Front Pointer Rod, 16"
6	2500740	2	Pointer Cap
7	2900013	2	Cap Screw, Hex Hd., 3/8-16 x 1-1/4"
8	2900033	4	Hex Nut, 3/8-16
9	6011152	2	Front Pointer Arm
10	2900005	2	Cap Screw, Hex Hd., 3/8-16 x 1"
11	2900105	2	Cap Screw, Hex Hd., 1/2-13 x 2-3/4"
12	2900239	2	Friction Washer, 1/2"
13	2900026	2	Lock Nut, 1/2-13 Nylon
14	6017241	1	Pointer Rope 11 Foot
15	3200221	2	Pinch Clamp, Two Ear

(BLANK)

# 14" Blade Guard Assembly #6010950

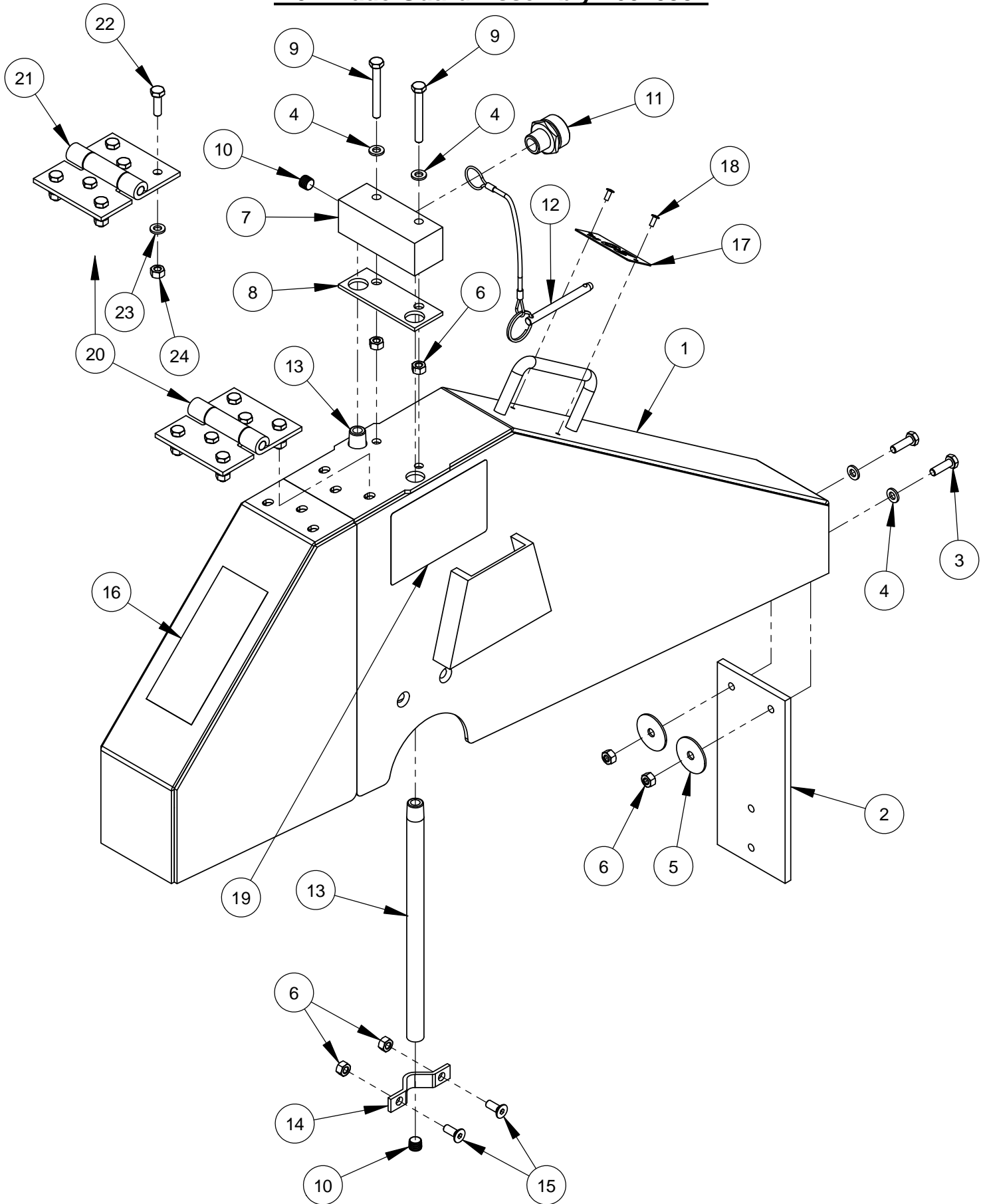


## 14" Blade Guard Assembly #6010950

ITEM	PART NO.	QTY.	DESCRIPTION
1	6010601	1	14" Blade Guard Front & Rear Only
2	6010081	1	Splash Flap
3	2900310	2	Cap Screw, Hex Hd., M6-1.0 x 20mm
4	2901494	4	Flat Washer, M6
5	2900083	2	Fender Washer, 1/4" x 1-1/4"
6	2900302	8	Lock Nut, M6-1.0 Nylon Insert
7	6010261	1	Water Manifold
8	2500830	1	Water Manifold Gasket
9	2901355	2	Cap Screw, Hex Hd., M6-1.0 x 50mm
10	3200001	3	Plug, 1/8" NPT
11	3200002	1	Fitting, 3/8" M. Pipe to 3/4" M. Garden
12	2900278	1	Lanyard with Lock Pin
13	6048283	2	Water Tube for 14" Guard
14	6048155	2	Water Tube Clamp
15	2900308	4	Cap Screw, Flat Hd., M6-1.0 x 16mm
16	1800001	1	Warning Label
17	1801369A	1	Blade Guard Size Tag
18	2900287	2	Rivet, 1/8" Dia.
19	1802090	2	Label, Wedge Locking Washer
20	6048026	1	Hinge Assembly

ITEM	PART NO.	QTY.	DESCRIPTION
21	2500270	1	Blade Guard Hinge
22	2900310	5	Cap Screw, Hex Hd., M6-1.0 x 20mm
23	2901494	6	Flat Washer, M6
24	2900302	7	Lock Nut, M6-1.0 Nylon Insert
25	2900312	1	Cap Screw, Hex Hd., M6-1.0 x 35mm

# 20" Blade Guard Assembly #6010952



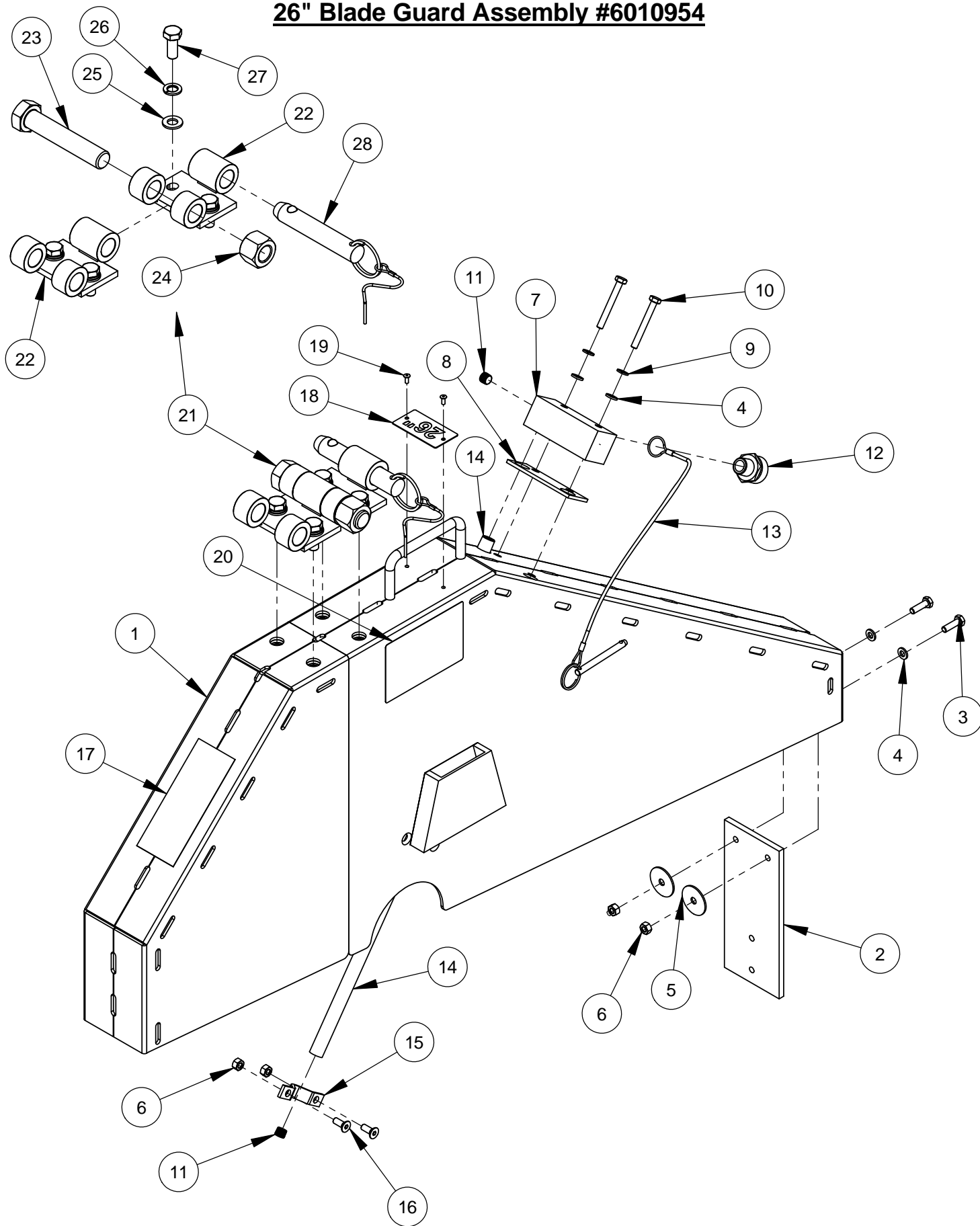


## 20" Blade Guard Assembly #6010952

ITEM	PART NO.	QTY.	DESCRIPTION
1	6010603	1	20" Blade Guard Front & Rear Only
2	6010081	1	Splash Flap
3	2900310	2	Cap Screw, Hex Hd., M6-1.0 x 20mm
4	2901494	4	Flat Washer, M6
5	2900083	2	Fender Washer, 1/4" x 1-1/4"
6	2900302	8	Lock Nut, M6-1.0 Nylon Insert
7	6010261	1	Water Manifold
8	2500830	1	Water Manifold Gasket
9	2901355	2	Cap Screw, Hex Hd., M6-1.0 x 50mm
10	3200001	3	Plug, 1/8" NPT
11	3200002	1	Fitting, 3/8" M. Pipe to 3/4" M. Garden
12	2900278	1	Lanyard with Lock Pin
13	6010085	2	Water Tube for 20" Guard
14	6048155	2	Water Tube Clamp
15	2900308	4	Cap Screw, Flat Hd., M6-1.0 x 16mm
16	1800001	1	Warning Label
17	1801369D	1	Blade Guard Size Tag
18	2900287	2	Rivet, 1/8" Dia.
19	1802090	2	Label, Wedge Locking Washer
20	6048027	1	Hinge Assembly

ITEM	PART NO.	QTY.	DESCRIPTION
21	2500270	1	Blade Guard Hinge
22	2900310	6	Cap Screw, Hex Hd., M6-1.0 x 20mm
23	2901494	6	Flat Washer, M6
24	2900302	6	Lock Nut, M6-1.0 Nylon Insert

# 26" Blade Guard Assembly #6010954

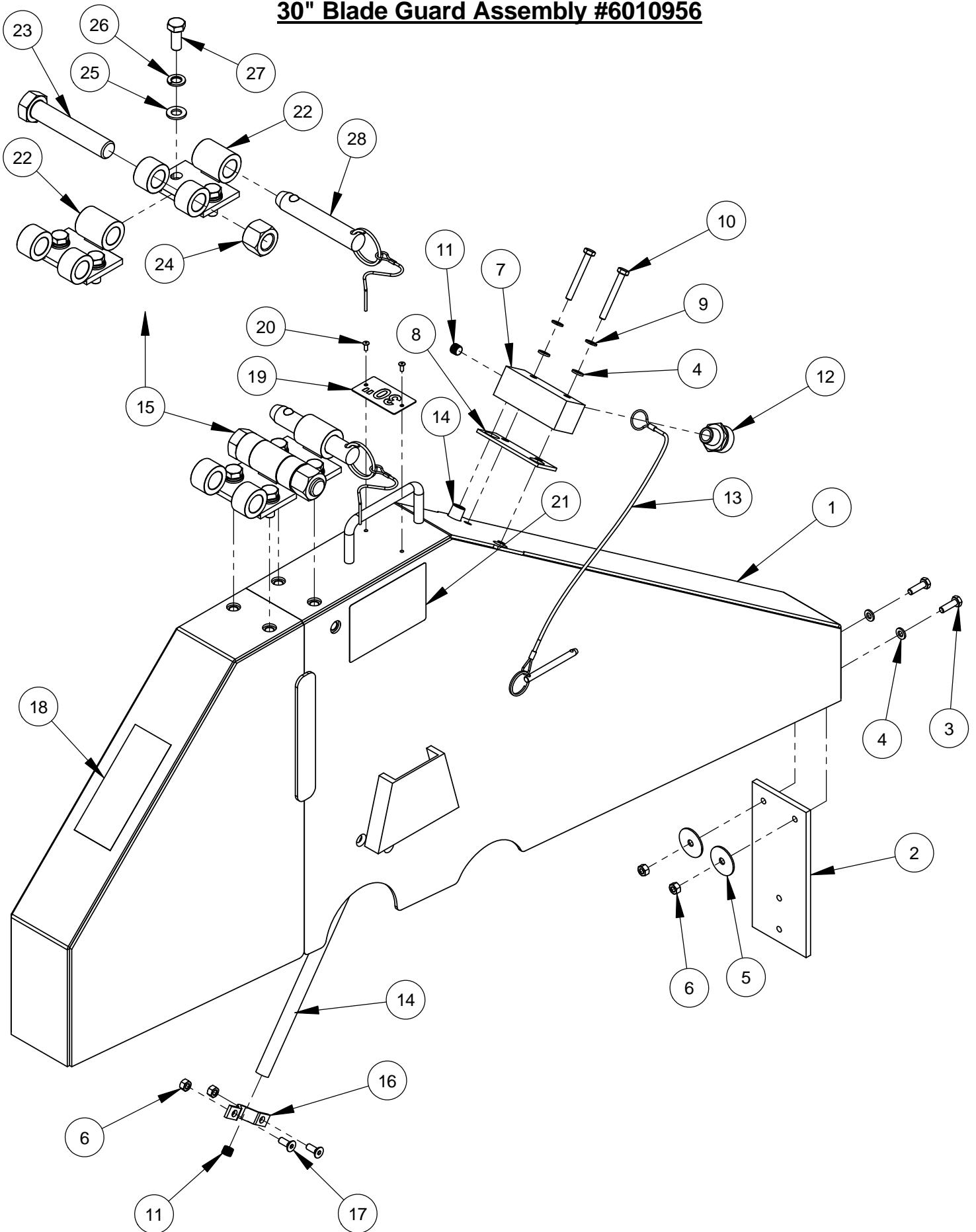


## 26" Blade Guard Assembly #6010954

ITEM	PART NO.	QTY.	DESCRIPTION
1	6010955	1	26" Blade Guard Front & Rear Only
2	6010081	1	Splash Flap
3	2900310	2	Cap Screw, Hex Hd., M6-1.0 x 20mm
4	2901494	4	Flat Washer, M6
5	2900083	2	Fender Washer, 1/4" x 1-1/4"
6	2900302	6	Lock Nut, M6-1.0 Nylon Insert
7	6010261	1	Water Manifold
8	2500830	1	Water Manifold Gasket
9	2900765	2	Lock Washer, M6 Split
10	2901355	2	Cap Screw, Hex Hd., M6-1.0 x 50mm
11	3200001	3	Plug, 1/8" NPT
12	3200002	1	Fitting, 3/8" M. Pipe to 3/4" M. Garden
13	2900279	1	Lanyard with Lock Pin
14	6010086	2	Water Tube for 26" Guard
15	6048155	2	Water Tube Clamp
16	2900308	4	Cap Screw, Flat Hd., M6-1.0 x 16mm
17	1800001	1	Warning Label
18	1801369F	1	Blade Guard Size Tag
19	2900287	2	Rivet, 1/8" Dia.
20	1802090	2	Label, Wedge Locking Washer
21	6010873	1	Universal Hinge Assembly

ITEM	PART NO.	QTY	DESCRIPTION
22	6010871	2	Hinge Weldment, Universal
23	2900479	1	Cap Screw, Hex Hd., 3/4-10 x 4"
24	2900467	1	Lock Nut, 3/4-10 Nylon
25	2901356	4	Flat Washer, M10
26	2900321	4	Lock Washer, M10 Split
27	2900333	4	Cap Screw, Hex Hd., M10-1.5 x 25mm
28	2503824	1	Detent Pin, 3/4" x 3" Grip

# 30" Blade Guard Assembly #6010956

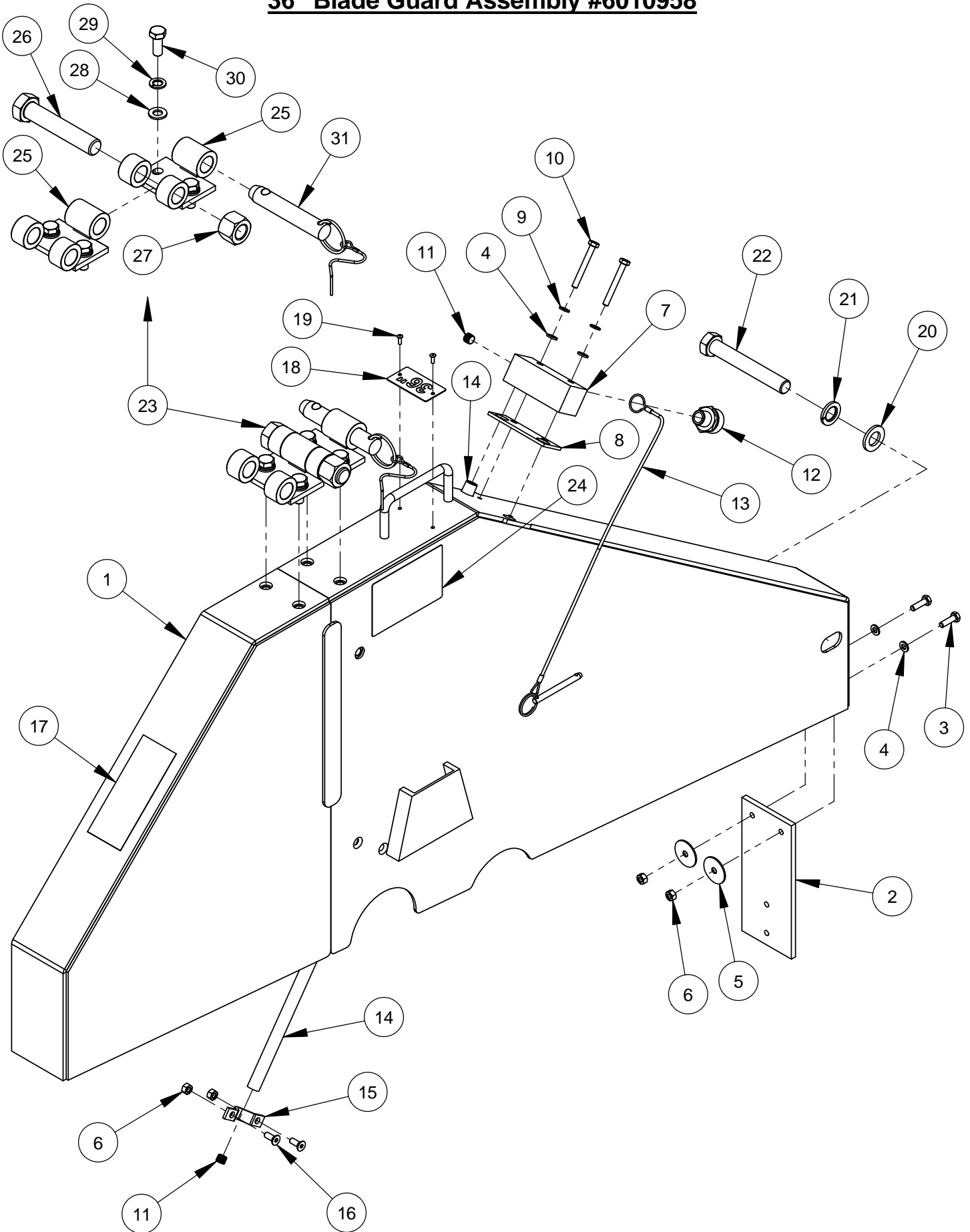


## 30" Blade Guard Assembly #6010956

ITEM	PART NO.	QTY.	DESCRIPTION
1	6010957	1	30" Blade Guard Front & Rear Only
2	6010081	1	Splash Flap
3	2900310	2	Cap Screw, Hex Hd., M6-1.0 x 20mm
4	2901494	4	Flat Washer, M6
5	2900083	2	Fender Washer, 1/4" x 1-1/4"
6	2900302	6	Lock Nut, M6-1.0 Nylon Insert
7	6010261	1	Water Manifold
8	2500830	1	Water Manifold Gasket
9	2900765	2	Lock Washer, M6 Split
10	2901355	2	Cap Screw, Hex Hd., M6-1.0 x 50mm
11	3200001	3	Plug, 1/8" NPT
12	3200002	1	Fitting, 3/8" M. Pipe to 3/4" M. Garden
13	2900279	1	Lanyard with Lock Pin
14	6010087	2	Water Tube for 30" Guard
15	6010873	1	Universal Hinge Assembly
16	6048155	2	Water Tube Clamp
17	2900308	4	Cap Screw, Flat Hd., M6-1.0 x 16mm
18	1800001	1	Warning Label
19	1801369G	1	Blade Guard Size Tag
20	2900287	2	Rivet, 1/8" Dia.
21	1802090	2	Label, Wedge Locking Washer

ITEM	PART NO.	QTY	DESCRIPTION
22	6010871	2	Hinge Weldment, Universal
23	2900479	1	Cap Screw, Hex Hd., 3/4-10 x 4"
24	2900467	1	Lock Nut, 3/4-10 Nylon
25	2901356	4	Flat Washer, M10
26	2900321	4	Lock Washer, M10 Split
27	2900333	4	Cap Screw, Hex Hd., M10-1.5 x 25mm
28	2503824	1	Detent Pin, 3/4" x 3" Grip

**36" Blade Guard Assembly #6010958**

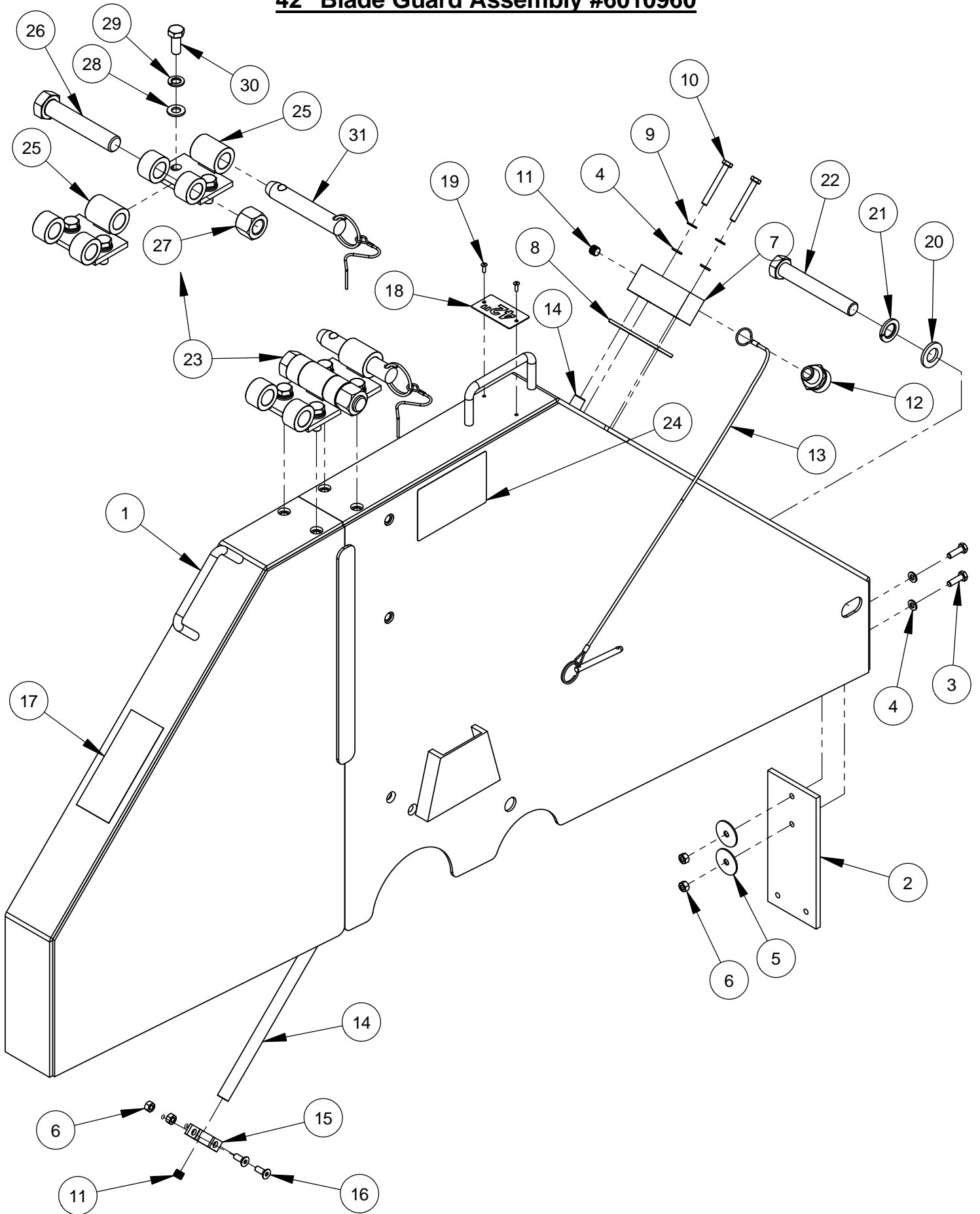


## 36" Blade Guard Assembly #6010958

ITEM	PART NO.	QTY.	DESCRIPTION
1	6010959	1	36" Blade Guard Front & Rear Only
2	6010081	1	Splash Flap
3	2900310	2	Cap Screw, Hex Hd., M6-1.0 x 20mm
4	2901494	4	Flat Washer, M6
5	2900083	2	Fender Washer, 1/4" x 1-1/4"
6	2900302	6	Lock Nut, M6-1.0 Nylon Insert
7	6010261	1	Water Manifold
8	2500830	1	Water Manifold Gasket
9	2900765	2	Lock Washer, M6 Split
10	2901355	2	Cap Screw, Hex Hd., M6-1.0 x 50mm
11	3200001	3	Plug, 1/8" NPT
12	3200002	1	Fitting, 3/8" M. Pipe to 3/4" M. Garden
13	2900280	1	Lanyard with Lock Pin
14	6010088	2	Water Tube for 36" Guard
15	6048155	2	Water Tube Clamp
16	2900308	4	Cap Screw, Flat Hd., M6-1.0 x 16mm
17	1800001	1	Warning Label
18	1801369H	1	Blade Guard Size Tag
19	2900639	2	Rivet, 1/8" Dia.
20	2901358	1	Flat Washer, M16
21	2900716	1	Lock Washer, M16 Split
22	2901349	1	Cap Screw, Hex Hd., M16-2.0 x 110mm
23	6010873	1	Universal Hinge Assembly
24	1802090	2	Label, Wedge Locking Washer

ITEM	PART NO.	QTY	DESCRIPTION
25	6010871	2	Hinge Weldment, Universal
26	2900479	1	Cap Screw, Hex Hd., 3/4-10 x 4"
27	2900467	1	Lock Nut, 3/4-10 Nylon
28	2901356	4	Flat Washer, M10
29	2900321	4	Lock Washer, M10 Split
30	2900333	4	Cap Screw, Hex Hd., M10-1.5 x 25mm
31	2503824	1	Detent Pin, 3/4" x 3" Grip

# 42" Blade Guard Assembly #6010960



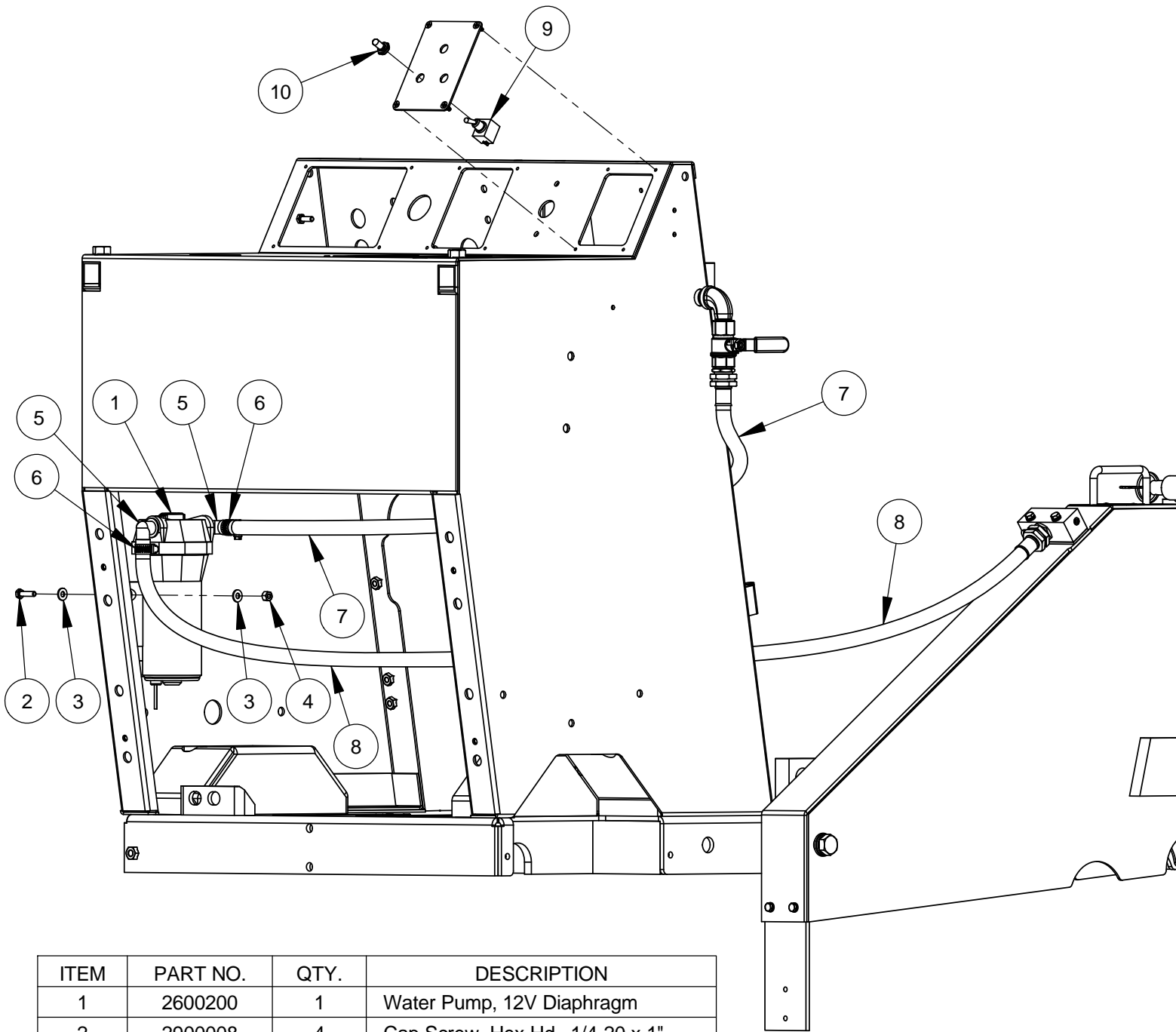


## **42" Blade Guard Assembly #6010960**

ITEM	PART NO.	QTY	DESCRIPTION
1	6010961	1	42" Blade Guard Front & Rear Only
2	6010081	1	Splash Flap
3	2900310	2	Cap Screw, Hex Hd., M6-1.0 x 20mm
4	2901494	4	Flat Washer, M6
5	2900083	2	Fender Washer, 1/4" x 1-1/4"
6	2900302	6	Lock Nut, M6-1.0 Nylon Insert
7	6048123	1	Water Manifold
8	2500829	1	Water Manifold Gasket
9	2900765	2	Lock Washer, M6 Split
10	2901355	2	Cap Screw, Hex Hd., M6-1.0 x 50mm
11	3200001	3	Plug, 1/8" NPT
12	3200002	1	Fitting, 3/8" M. Pipe to 3/4" M. Garden
13	2900280	1	Lanyard with Lock Pin
14	6010114	2	Water Tube for 42" Guard
15	6048155	2	Water Tube Clamp
16	2900308	4	Cap Screw, Flat Hd., M6-1.0 x 16mm
17	1800001	1	Warning Label
18	1801369I	1	Blade Guard Size Tag
19	2900639	2	Rivet, 1/8" Dia.
20	2901358	1	Flat Washer, M16
21	2900716	1	Lock Washer, M16 Split
22	2901349	1	Cap Screw, Hex Hd., M16-2.0 x 110mm
23	6010873	1	Universal Hinge Assembly
24	1802090	2	Label, Wedge Locking Washer

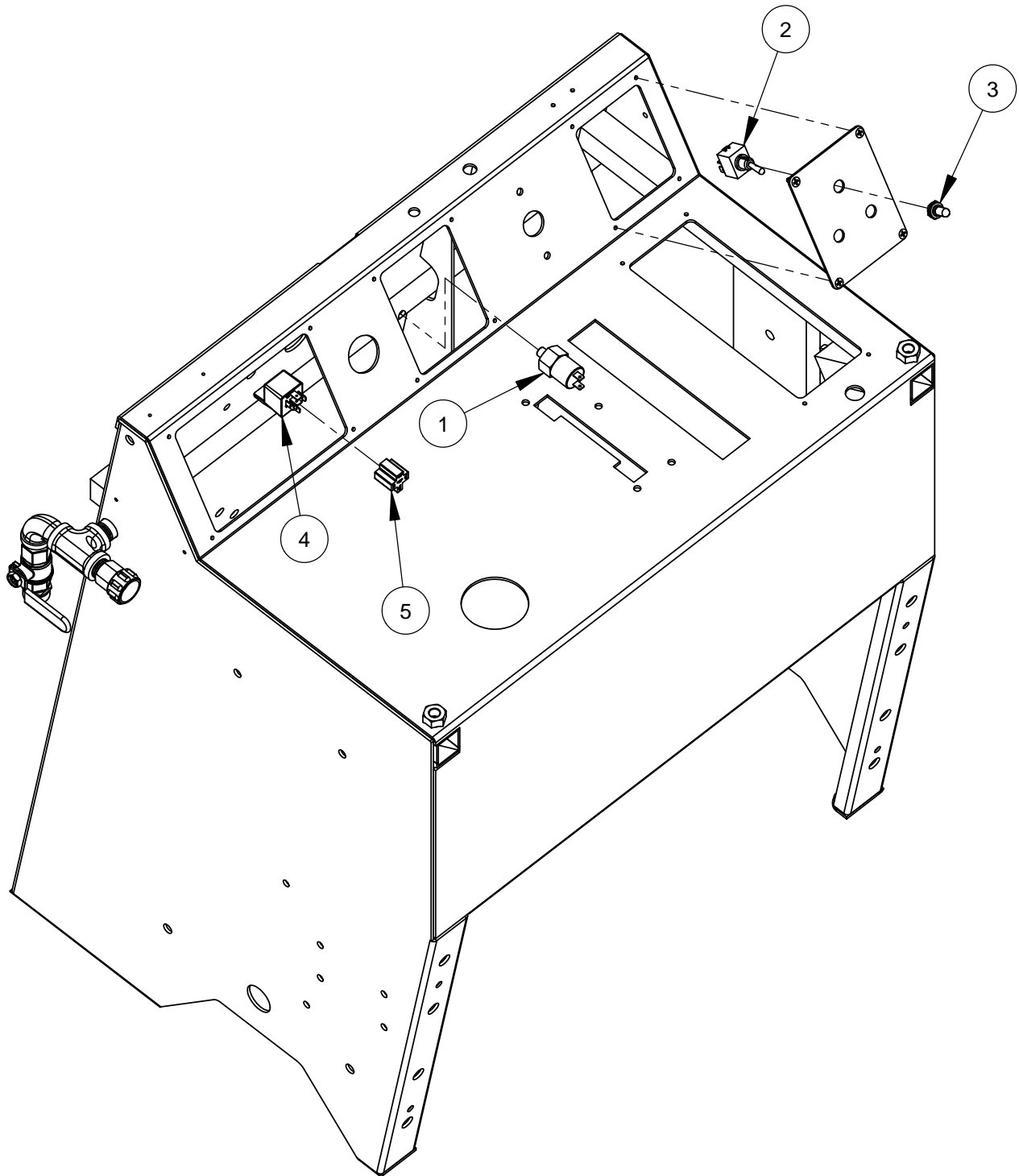
ITEM	PART NO.	QTY	DESCRIPTION
25	6010871	2	Hinge Weldment, Universal
26	2900479	1	Cap Screw, Hex Hd., 3/4-10 x 4"
27	2900467	1	Lock Nut, 3/4-10 Nylon
28	2901356	4	Flat Washer, M10
29	2900321	4	Lock Washer, M10 Split
30	2900333	4	Cap Screw, Hex Hd., M10-1.5 x 25mm
31	2503824	1	Detent Pin, 3/4" x 3" Grip

## Optional Water Pump Assembly #6011032



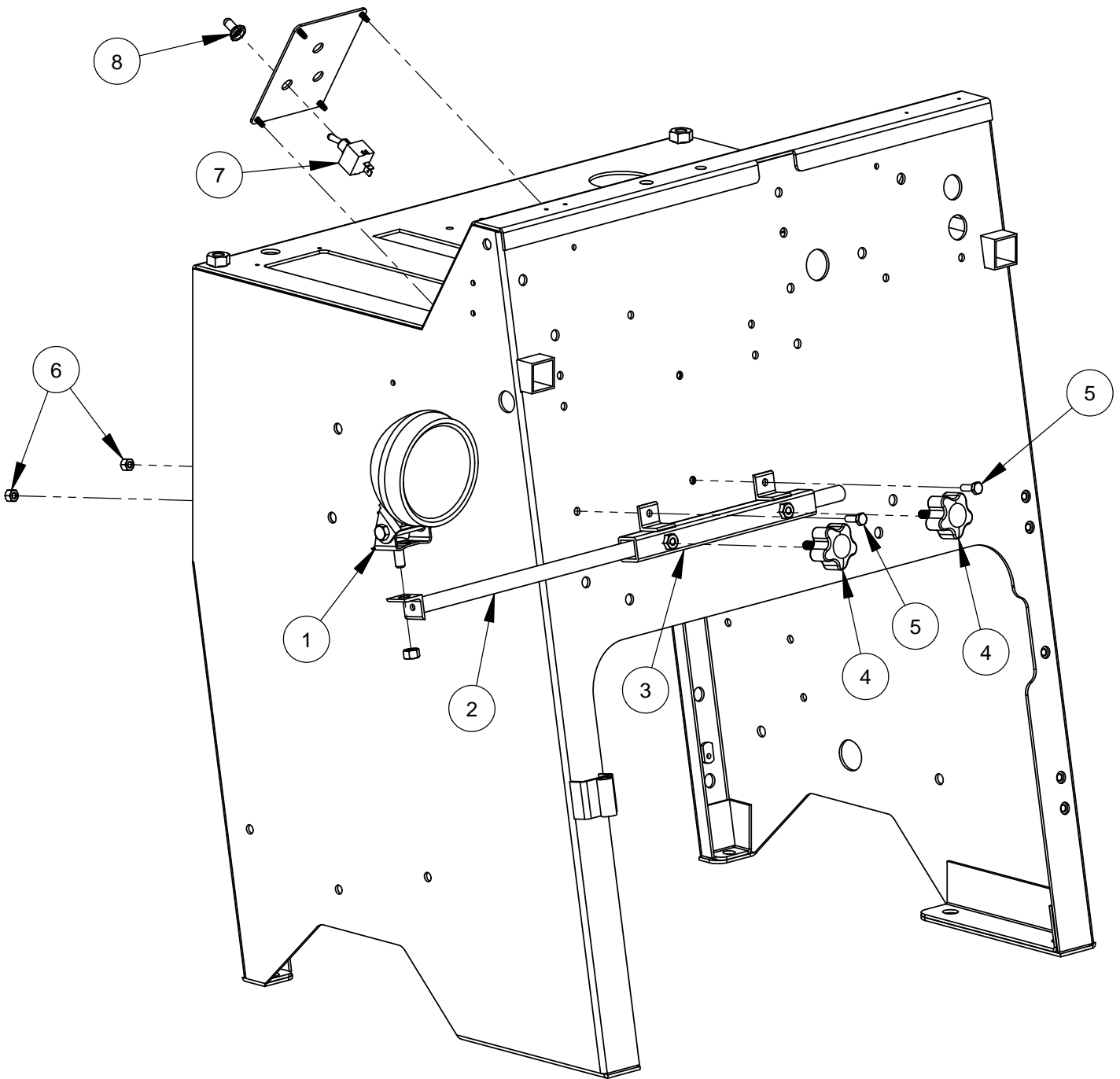
ITEM	PART NO.	QTY.	DESCRIPTION
1	2600200	1	Water Pump, 12V Diaphragm
2	2900008	4	Cap Screw, Hex Hd., 1/4-20 x 1"
3	2900009	8	Flat Washer, 1/4" SAE
4	2900010	4	Lock Nut, 1/4-20 Nylon
5	2701694	2	Port Fitting, 1/2" Barb x 90 Degree
6	3200016	2	Hose Clamp #8
7	6010302	1	Water Hose Assembly 48"
8	6010303	1	Water Hose Assembly 60"
9	2800062	1	Toggle Switch On/Off
10	2800063	1	Toggle Switch Boot

## Optional Water Safety Switch Assembly #6010522



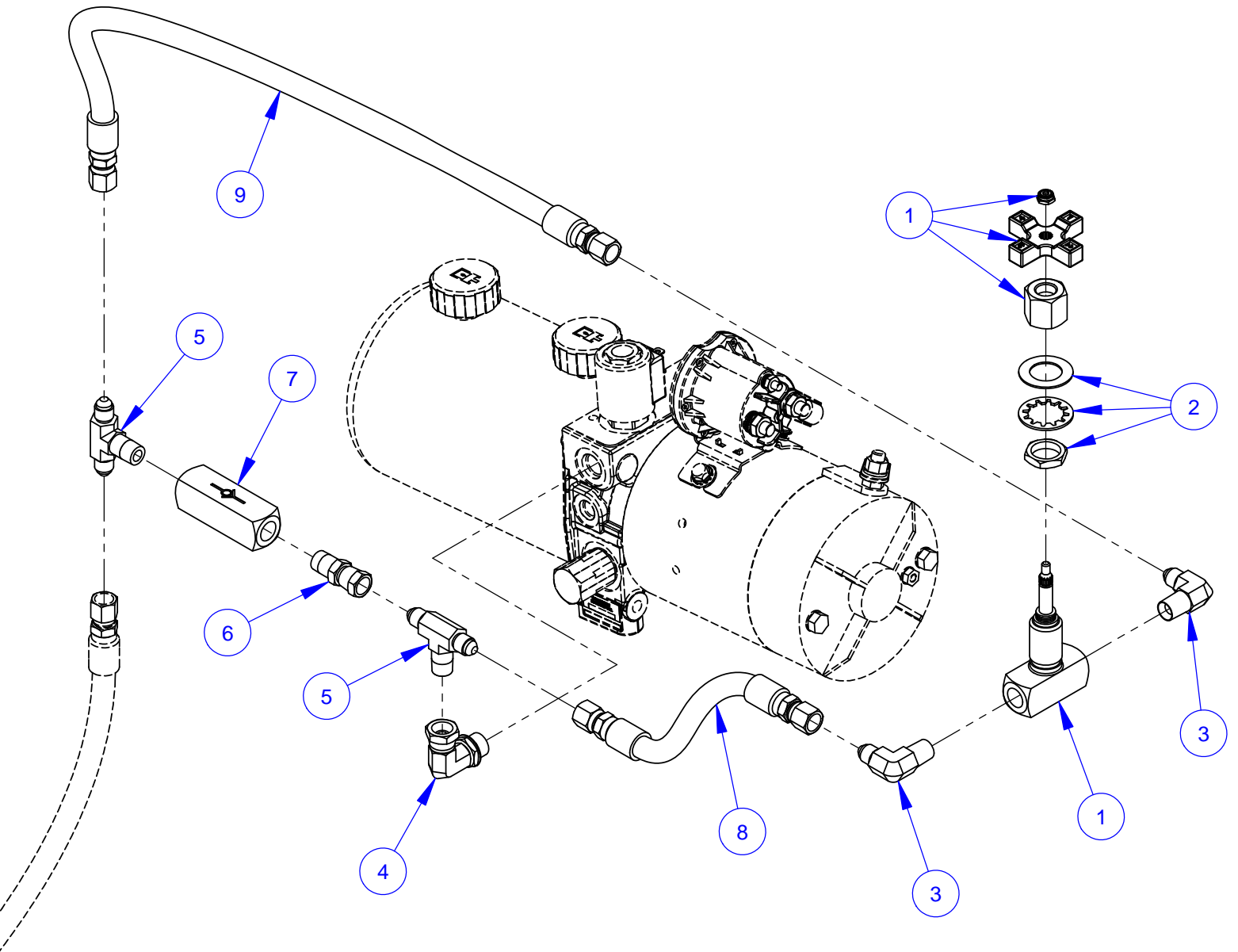
ITEM	PART NO.	QTY.	DESCRIPTION
1	2800060	1	Water Pressure Safety Switch
2	2800062	1	Toggle Switch On/Off
3	2800063	1	Toggle Switch Boot
4	2800144	1	Relay, 50 Amp, 12V, SPDT
5	2800263	1	Relay Connector (5 Wire)

## Optional Spot Light Assembly #6010112



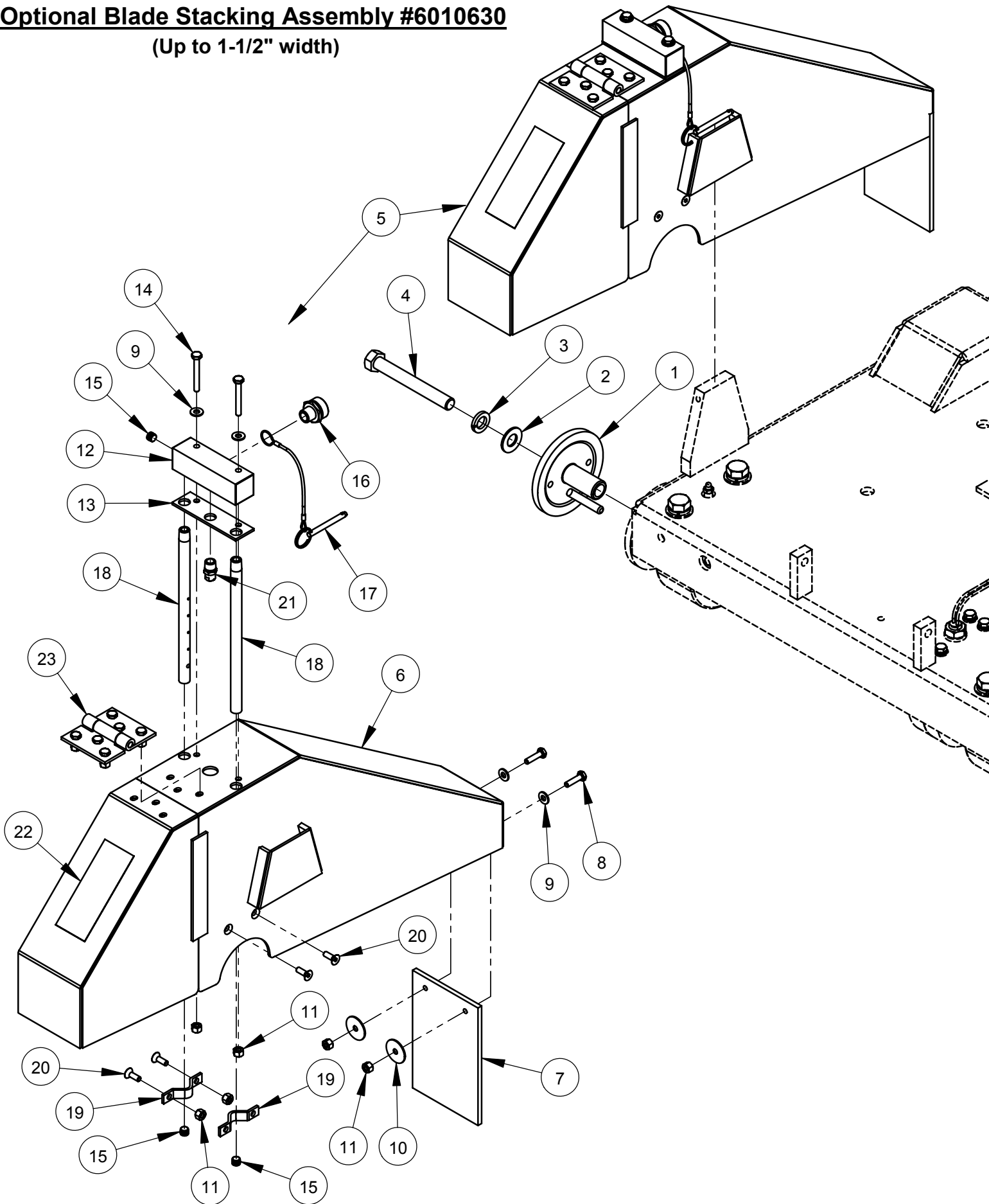
ITEM	PART NO.	QTY.	DESCRIPTION
1	2500194	1	Spot Light, 12 Volt
2	6010106	1	Light Bar
3	6010107	1	Light Bar Mount Bracket
4	2400157	2	Hand Lock Knob, 5/16-18 x 1"
5	2900144	2	Cap Screw, Hex Hd., 1/4-20 x 3/4"
6	2900010	2	Lock Nut, 1/4-20 Nylon
7	2800062	1	Toggle Switch On/Off
8	2800063	1	Toggle Switch Boot

## Optional Lowering Speed Metering Valve Assembly #6010227



ITEM	PART NO.	QTY.	DESCRIPTION
1	3200211	1	Valve, 1/4" Metering
2	3200212	1	Panel Mounting Kit
3	3200057	2	Elbow, 1/4" M. Pipe to 1/4" M. JIC
4	3200115	1	Elbow, 3/8" O-Ring to 1/4" F. Pipe
5	3200213	2	Tee, 1/4" M. JIC to 1/4" M. Pipe
6	3200219	1	Adapter, 1/4" M. Pipe to 1/4" F. JIC
7	3200218	1	Check Valve
8	6010247	1	Hose Assembly, 8" Long
9	6010248	1	Hose Assembly, 20" Long

**Optional Blade Stacking Assembly #6010630**  
(Up to 1-1/2" width)

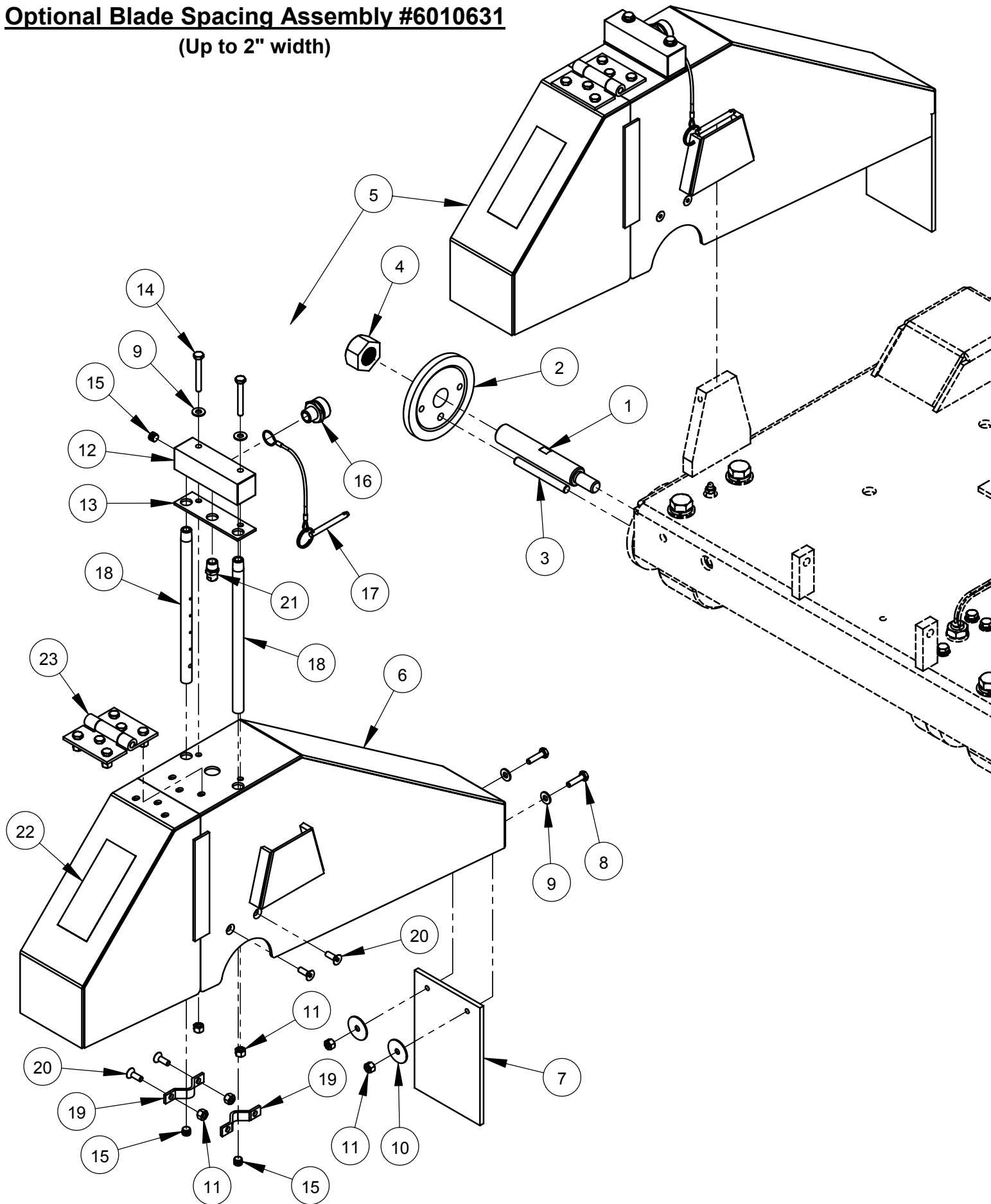


**Optional Blade Stacking Assembly #6010630**  
**(Up to 1-1/2" width)**

ITEM	PART NO.	QTY.	DESCRIPTION
1	6010159	1	Outer Flange 4-1/2" with Pin
2	2900002	1	Flat Washer, 5/8" SAE
3	2900113	1	Lock Washer, 5/8" Split
4	2900210	1	Cap Screw, Hex Hd., 5/8"-11 x 5" LH
5	6010620	1	20" Wide Blade Guard Assembly

ITEM	PART NO.	QTY.	DESCRIPTION
6	6010621	1	20" Wide Blade Guard Front & Rear Only
7	6010296	1	Splash Flap
8	2900008	2	Cap Screw, Hex Hd., 1/4-20 x 1"
9	2900009	4	Flat Washer, 1/4" SAE
10	2900083	2	Fender Washer, 1/4" x 1-1/4"
11	2900010	8	Lock Nut, 1/4-20 Nylon
12	6010288	1	Water Manifold
13	2500988	1	Water Manifold Gasket
14	2900294	2	Cap Screw, Hex Hd., 1/4-20 x 2"
15	3200001	3	Plug, 1/8" NPT
16	3200002	1	Fitting, 3/8" M. Pipe to 3/4" M. Garden
17	2900278	1	Lanyard with Lock Pin
18	6010085	2	Water Tube for 20" Guard
19	6048155	2	Water Tube Clamp
20	2900020	4	Cap Screw, Flat Hd., 1/4-20 x 3/4"
21	3200208	1	Nozzle, 1/4" NPT
22	1800001	1	Warning Label
23	6010251	1	Hinge Assembly for 20" Guard

**Optional Blade Spacing Assembly #6010631**  
(Up to 2" width)



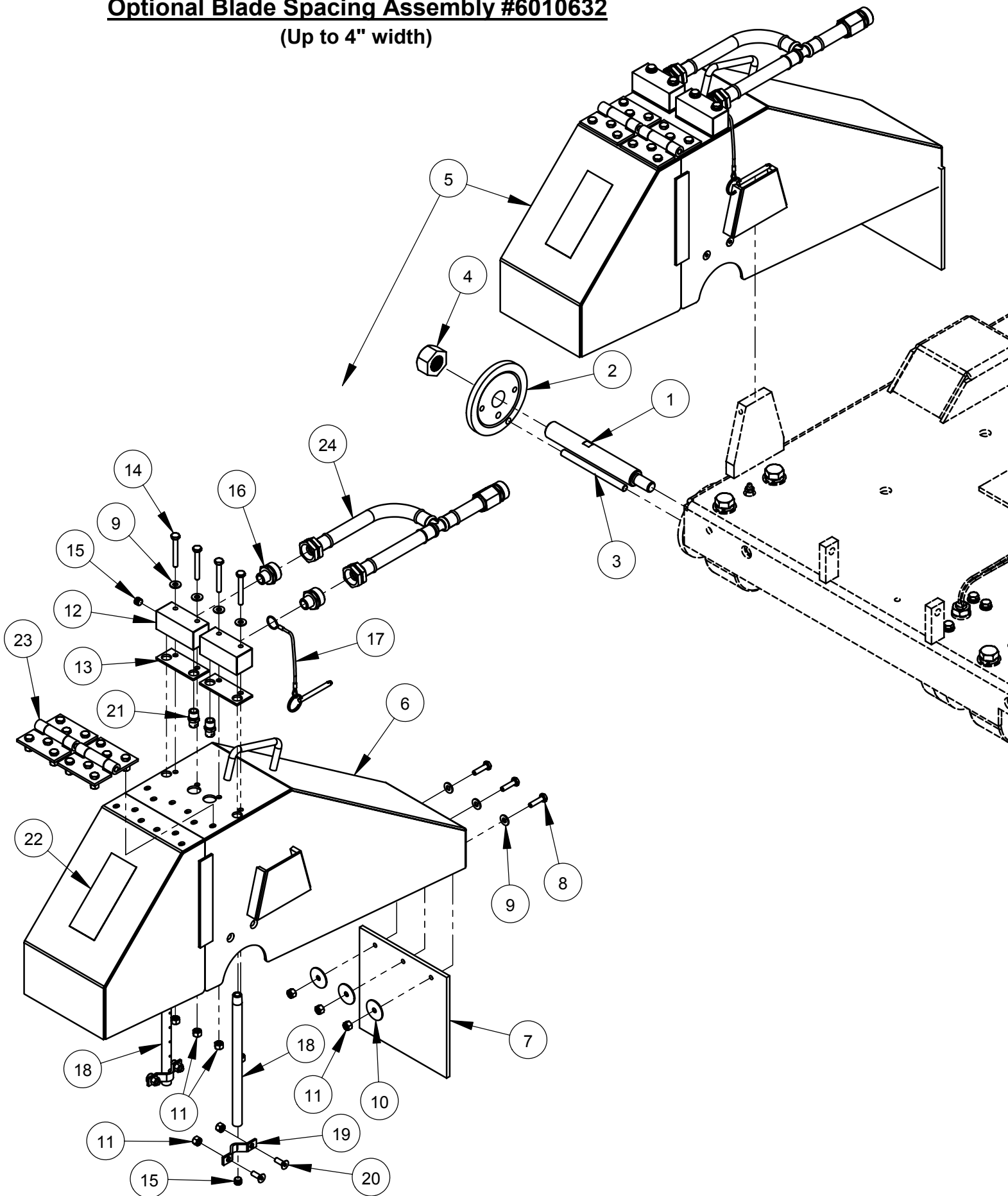


**Optional Blade Spacing Assembly #6010631**  
**(Up to 2" width)**

ITEM	PART NO.	QTY.	DESCRIPTION
1	6010186	1	Blade Shaft Extension, Left Hand Thread
2	6010187	1	Outer Flange 4-1/2"
3	2900218	1	Dowel Pin, 3/8" Dia. x 3-1/2"
4	2900212	1	Hex Nut, 1"-14 Left Hand
5	6010620	1	20" Wide Blade Guard Assembly

ITEM	PART NO.	QTY.	DESCRIPTION
6	6010621	1	20" Wide Blade Guard Front & Rear Only
7	6010296	1	Splash Flap
8	2900008	2	Cap Screw, Hex Hd., 1/4-20 x 1"
9	2900009	4	Flat Washer, 1/4" SAE
10	2900083	2	Fender Washer, 1/4" x 1-1/4"
11	2900010	8	Lock Nut, 1/4-20 Nylon
12	6010288	1	Water Manifold
13	2500988	1	Water Manifold Gasket
14	2900294	2	Cap Screw, Hex Hd., 1/4-20 x 2"
15	3200001	3	Plug, 1/8" NPT
16	3200002	1	Fitting, 3/8" M. Pipe to 3/4" M. Garden
17	2900278	1	Lanyard with Lock Pin
18	6010085	2	Water Tube for 20" Guard
19	6048155	2	Water Tube Clamp
20	2900020	4	Cap Screw, Flat Hd., 1/4-20 x 3/4"
21	3200208	1	Nozzle, 1/4" NPT
22	1800001	1	Warning Label
23	6010251	1	Hinge Assembly for 20" Guard

**Optional Blade Spacing Assembly #6010632**  
(Up to 4" width)



**Optional Blade Spacing Assembly #6010632**  
**(Up to 4" width)**

ITEM	PART NO.	QTY.	DESCRIPTION
1	6010309	1	Blade Shaft Extension, Left Hand Thread
2	6010187	1	Outer Flange 4-1/2"
3	6010359	1	Drive Pin, 3/8" Dia. x 5"
4	2900212	1	Hex Nut, 1"-14 Left Hand
5	6010622	1	20" Wide Blade Guard Assembly

ITEM	PART NO.	QTY.	DESCRIPTION
6	6010623	1	20" Wide Blade Guard Front & Rear Only
7	6010366	1	Splash Flap
8	2900008	3	Cap Screw, Hex Hd., 1/4-20 x 1"
9	2900009	7	Flat Washer, 1/4" SAE
10	2900083	3	Fender Washer, 1/4" x 1-1/4"
11	2900010	11	Lock Nut, 1/4-20 Nylon
12	6048123	2	Water Manifold
13	2500829	2	Water Manifold Gasket
14	2900294	4	Cap Screw, Hex Hd., 1/4-20 x 2"
15	3200001	4	Plug, 1/8" NPT
16	3200002	2	Fitting, 3/8" M. Pipe to 3/4" M. Garden
17	2900278	1	Lanyard with Lock Pin
18	6010085	2	Water Tube for 20" Guard
19	6048155	2	Water Tube Clamp
20	2900020	4	Cap Screw, Flat Hd., 1/4-20 x 3/4"
21	3200208	2	Nozzle, 1/4" NPT
22	1800001	1	Warning Label
23	6010251	2	Hinge Assembly for 20" Guard
24	6010588	1	Hose Assembly, Dual Inlet





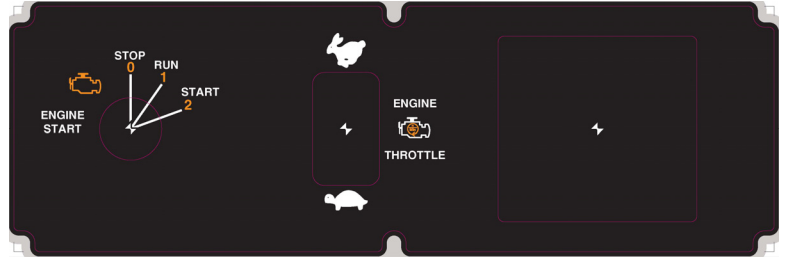


# Decal Group

# CORE CUT

## CC6571

Core Cut Decal #1802099 (Qty. 3)



Instrument Panel Decal #1802410

**DIAMOND PRODUCTS** CORE CUT

383 PROSPECT STREET  
ELYRIA, OHIO 44025 USA  
PHONE 1-800-341-5336  
www.diamondproducts.com

CC6571-3 SPEED RPM CHART				
BLADE SIZE	BLADE RPM	GEAR POSITION	ENGINE RPM	MAX CUT DEPTH
14"	2,700	H (High)	2,700	3-3/4"
20"	2,550	H (High)	2,550	6-3/4"
26"	1,775	M (Medium)	2,700	9-3/4"
30"	1,675	M (Medium)	2,550	11-3/4"
36"	1,175	L (Low)	2,700	14-3/4"
42"	1,100	L (Low)	2,550	17-3/4"

**WARNING!** NEVER EXCEED THE MAXIMUM RPM STAMPED ON BLADE!  
EXCESSIVE SPEED CAN CAUSE BLADE BREAKAGE RESULTING IN SERIOUS PERSONAL INJURY OR DEATH.

**WARNING**  
Always check the bladeshaft RPM before mounting blade.  
Only use blades with a rated speed higher than the bladeshaft speed.  
Never exceed the maximum RPM stamped on blade. Overriding the blade can cause blade breakage and serious personal injury.  
When changing blade size, always adjust bladeshaft RPM according to the speed chart to match recommended blade RPM.  
Do not use a blade whose size smaller than indicated for each blade.  
Never operate saw without the blade guard in place or allow rotating blade exposure to exceed 180 degrees.  
Never stand in line with the blade path when starting or operating saw.  
Never use damaged blades or equipment.  
Refer to operator's manual for additional information about safety, operation and maintenance.

**ADVERTENCIA**  
Siempre verifique la velocidad en RPM del eje de la hoja de la motosierra de acuerdo a la velocidad máxima permitida en la hoja.  
Solo use hojas con una velocidad nominal superior a la velocidad máxima permitida en la hoja.  
Nunca exceda la velocidad máxima permitida en la hoja. Exceder la velocidad máxima permitida en la hoja puede causar el rompimiento de la hoja y causar lesiones personales graves.  
Cuando cambie el tamaño de la hoja, siempre ajuste la velocidad en RPM de acuerdo al gráfico de velocidad para coincidir con la velocidad recomendada para el tamaño de la hoja.  
No use una hoja cuyo tamaño sea menor al indicado para cada hoja.  
Nunca opere la sierra sin el guardabrazos en su lugar o permita la exposición de la hoja por más de 180 grados.  
Nunca se ponga en línea con el camino de la hoja al iniciar o operar la sierra.  
Nunca use hojas dañadas o equipo.  
Consulte el manual del operador para obtener información adicional sobre seguridad, operación y mantenimiento.

RPM Chart Decal #1802411

**WARNING**

TO PREVENT SERIOUS INJURY  
DO NOT OPERATE SAW WITHOUT PROPER TRAINING & FULL UNDERSTANDING OF THE OWNERS MANUAL.

WHEN OPERATING THIS MACHINE  
KEEP ALL GUARDS IN PLACE

ALWAYS WEAR SAFETY APPROVED

- HEARING PROTECTION
- EYE OR FACE PROTECTION
- HEAD PROTECTION
- RESPIRATOR

S.M.I. MASONRY AND CONCRETE SAW MANUFACTURERS INSTITUTE®

Warning Decal #1800001

Grease PTO Decal #1800897

ADD 3 PUMPS OF GREASE TO PTO EVERY 25 HOURS. USE HIGH TEMPERATURE, EXTREME PRESSURE, LITHIUM BASED GREASE.

Sheet No. 1801990

1802110: RPM Chart

1802111: WATER PUMP / SEGURIDAD DEL AGUA

1802112: SPOT LIGHT / FOG LIGHT

1802113: REAR AXLE ADJUSTMENT

1802114: BLADE LOWERING SPEED

1802115: TRANSMISSION

1802116: STOP

1802117: DISENGAGE

1802118: BRAKE

1802119: DIESEL FUEL ONLY

1802120: REAR AXLE ADJUSTMENT

1802121: TRANSMISSION

1802122: STOP

1802123: TRANSMISSION

1802124: STOP

Saw Decals Sheet #1801990

**WARNING!** FRONT HALF OF BLADE GUARD MUST BE SECURED WHEN IN UPRIGHT POSITION.

1. Insert lock pin through wide rear hinge knuckle.
2. Pivot up front of blade guard until it contacts pin.
3. Insert second lock pin through ring of first lock pin.
4. Continue through the front two hinge knuckles.

Hinge Pin Decal #1802448

## EQUIPMENT AND PARTS WARRANTY

Diamond Products warrants all equipment manufactured by it against defects in workmanship or materials for a period of one (1) year from the date of shipment to Customer.

The responsibility of Diamond Products under this Warranty is limited to replacement or repair of defective parts at Diamond Products' Elyria, Ohio factory, or at a point designated by it, of such parts as shall appear to us upon inspection at such parts, to have been defective in material or workmanship, with expense for transportation and labor borne by Customer.

In no event shall Diamond Products be liable for consequential or incidental damages arising out of the failure of any Product to operate properly.

Integral units such as engines, electric motors, batteries, transmissions, etc., are excluded from this Warranty and are subject to the prime manufacturer's warranty.

**THIS WARRANTY IS IN LIEU OF ALL OTHER WARRANTIES, EXPRESSED OR IMPLIED, AND ALL SUCH OTHER WARRANTIES ARE HEREBY DISCLAIMED.**



333 Prospect Street, Elyria, Ohio 44035  
(440) 323-4616 • (800) 321-5336 • Fax (440) 323-8689  
[www.diamondproducts.com](http://www.diamondproducts.com)