

# **DIAMOND**

## PRODUCTS

# CONCRETE SAW

# PARTS LIST

# **MODEL**

# **CC7070**

November 2010

Part #1801398

**CC7070 RPM CHART**

BLADE SIZE	BLADE RPM	BLADESHAFT SHEAVE	ENGINE SHEAVE	ENGINE RPM	BELT SIZE	FLANGE SIZE	MAX CUT DEPTH
14"	2,800	4"	4"	2,800	3VX530	4-1/2"	4-1/2"
20"	2,500	4.5"	4"	2,800	3VX530	4-1/2"	7-1/2"
26"	2,100	4.5"	4"	2,350	3VX530	4-1/2"	10-1/2"
30"	1,800	6"	4"	2,700	3VX560	6"	11-3/4"
36"	1,500	6"	4"	2,250	3VX560	6"	14-3/4"
42"	1,300	6.9"	4"	2,250	3VX570	7"	17-1/4"

**⚠ WARNING ⚠**

**WARNING! NEVER EXCEED THE MAXIMUM RPM STAMPED ON BLADE!  
EXCESSIVE SPEED CAN CAUSE BLADE BREAKAGE RESULTING IN SERIOUS PERSONAL INJURY OR DEATH.**



READ OWNERS MANUAL  
BEFORE OPERATING MACHINE



MACHINERY  
HAZARD



USE ONLY IN WELL  
VENTILATED AREA



DO NOT USE IN  
FLAMMABLE AREAS



ALL GUARDS  
MUST BE IN PLACE



HEARING  
PROTECTION



EYE  
PROTECTION



HEAD  
PROTECTION



BREATHING  
PROTECTION

- Always check the bladeshaft RPM before mounting blade.
- Only use blades with a rated speed higher than the bladeshaft speed.
- When changing blade size, always adjust bladeshaft RPM according to the speed chart to match recommended blade RPM.
- Do not use a blade flange size smaller than indicated for each blade.
- Never operate saw without the blade guard in place or allow rotating blade exposure to exceed 180 degrees.
- Never stand in line with the blade path when starting or operating saw.
- Never use damaged blades or equipment.
- Refer to operator's manual for additional information about safety, operation and maintenance.

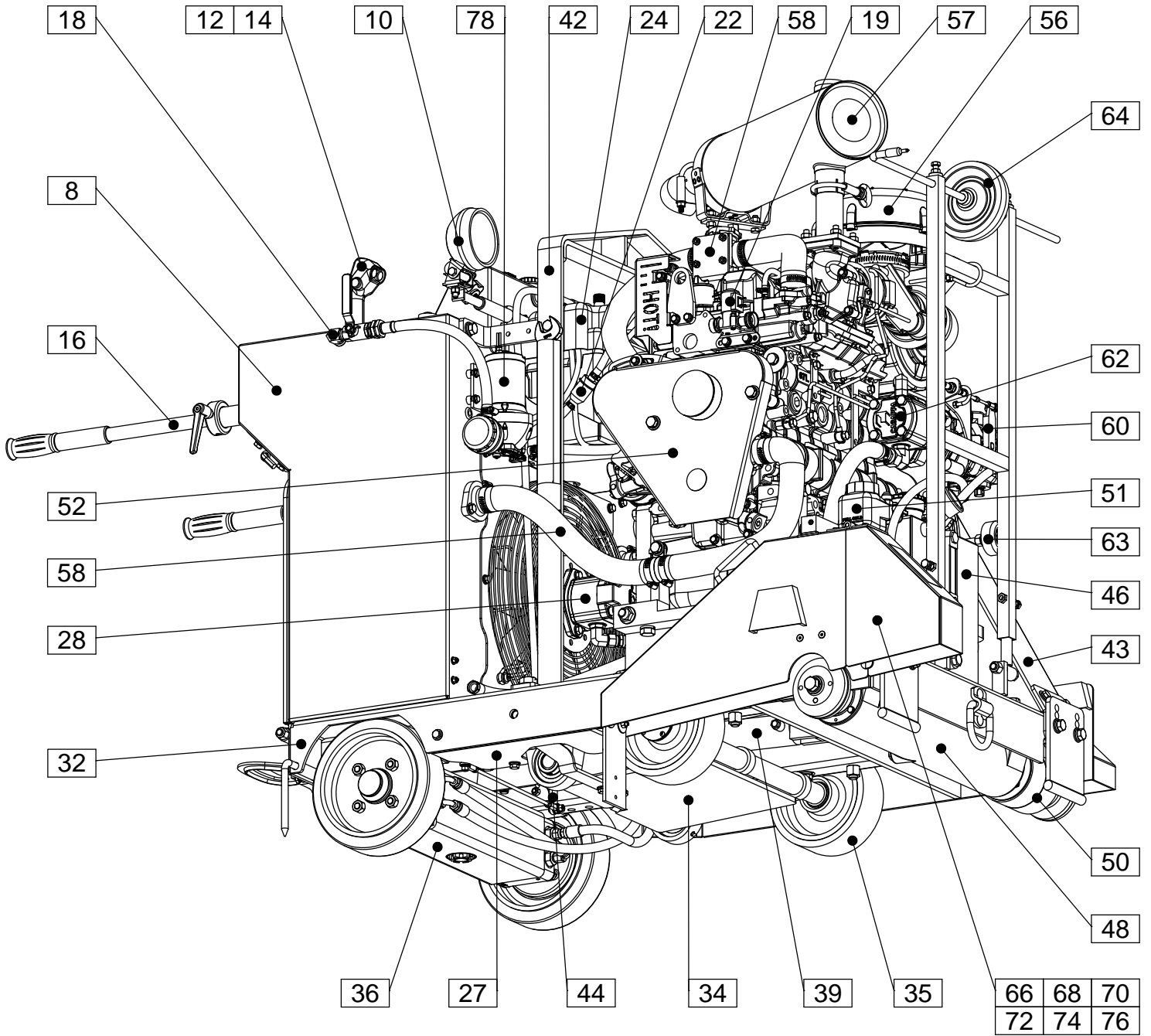
**⚠ WARNING ⚠**

**The engine exhaust from this product  
contains chemicals known to the  
State of California to cause cancer,  
birth defects or other reproductive harm.**

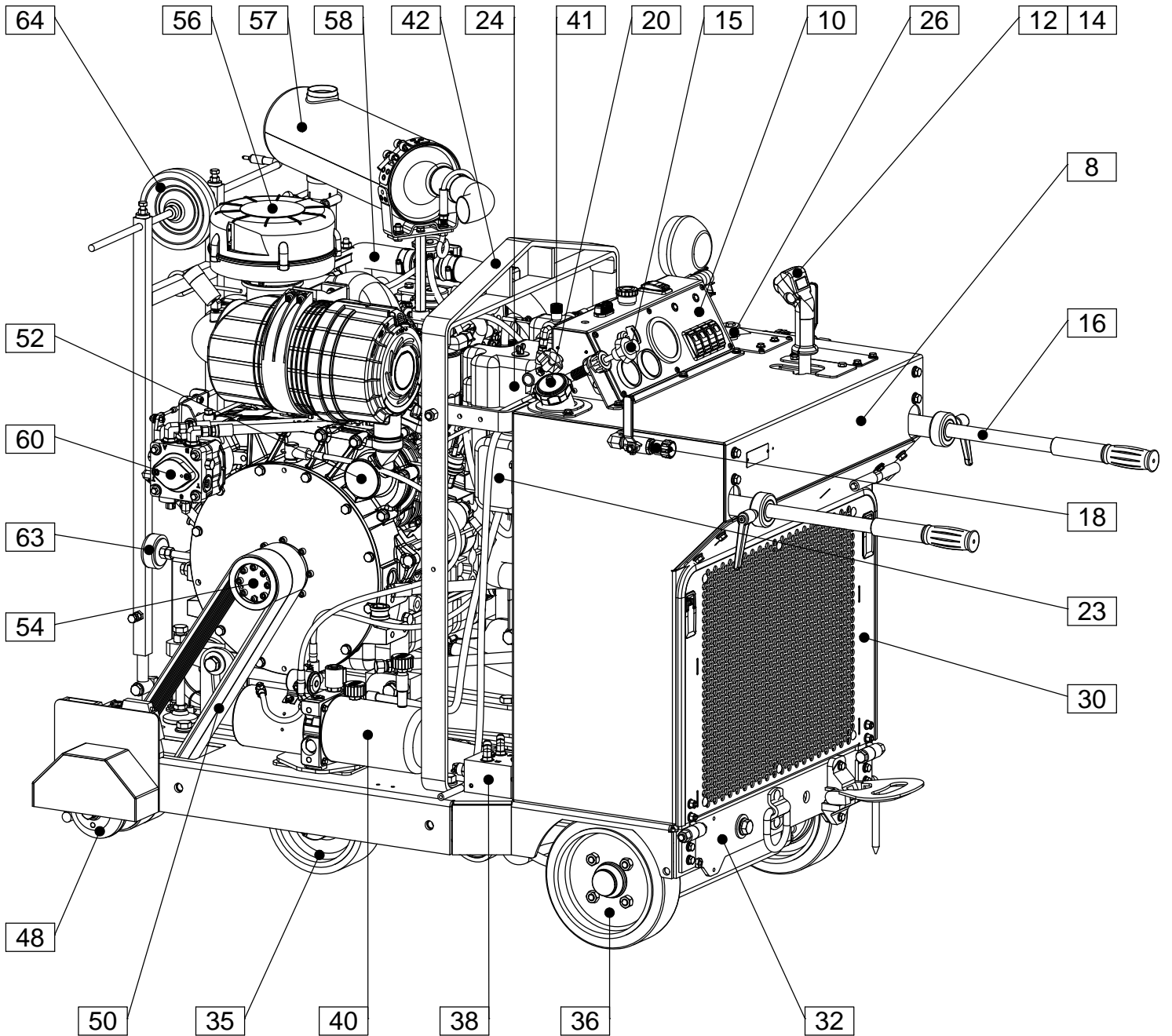
## Table of Contents

Pictorial Page Index.....	4,5	Belt Guard Assembly.....	43
Controls Legend.....	6	Depth Stop Assembly.....	44,45
Quick Reference Service Filters/Belts/Fluids	7	Reservoir Assembly.....	46,47
Frame Upright Assembly.....	8,9	Blade Shaft Assembly.....	48,49
Instrument Panel Assembly.....	10,11	Belt Drive Assembly.....	50
Speed Control Lever Assembly.....	12,13	Expansion Tank Assembly.....	51
Control Grip Assembly.....	14	Engine Assembly.....	52,53
Throttle Cable Assembly.....	15	PTO Assembly.....	54,55
Handle Bar Assembly.....	16	Air Intake Assembly.....	56
Double Rod Cylinder Assembly.....	17	Muffler Assembly.....	57
Water Supply Assembly.....	18	Filler Neck Assembly.....	58,59
Water Valve Assembly.....	19	Hydro Pump Assembly.....	60,61
Fuel Tank Assembly.....	20,21	Fan Pump Assembly.....	62
Fuel Supply Assembly.....	22	Pointer Stop Assembly.....	63
Coolant Tank Assembly.....	23	Front Pointer Assembly.....	64
Battery Assembly.....	24,25	14” Blade Guard Assembly.....	66,67
Depth Indicator Assembly.....	26	20” Blade Guard Assembly.....	68,69
Depth Indicator Cable Assembly.....	27	26” Blade Guard Assembly.....	70,71
Fan Assembly.....	28,29	30” Blade Guard Assembly.....	72,73
Radiator Assembly.....	30,31	36” Blade Guard Assembly.....	74,75
Frame Base Assembly.....	32,33	42” Blade Guard Assembly.....	76,77
Front Axle Assembly.....	34	Optional Water Pump Assembly.....	78
Front Wheel Assembly.....	35	Optional Weight Kit (55 Pounds).....	79
Rear Axle Assembly.....	36,37	Notes.....	80,81
Valve Block Assembly.....	38	Wiring Diagram.....	82-84
Hydraulic Cylinder Assembly.....	39	Options Wiring Diagram.....	85
Hydraulic Lift Pump Assembly.....	40	Decal Group.....	86
Control Valve Assembly.....	41	Blade Speed Conversion Charts.....	87
Frame Lift Assembly.....	42	Warranty.....	88

# Pictorial Page Index



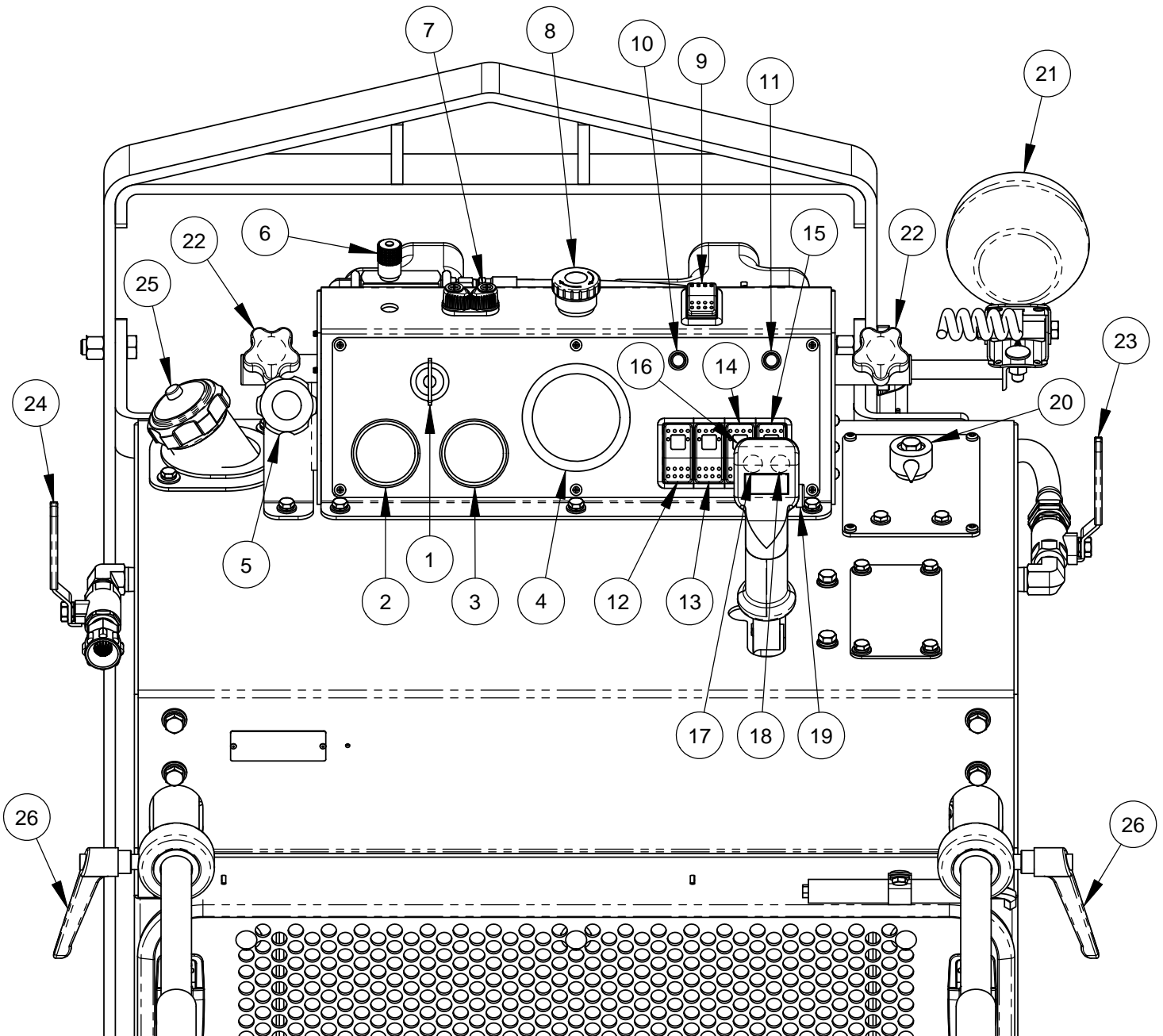
# Pictorial Page Index



## Controls Legend

1	Ignition Switch
2	Coolant Temperature Gauge
3	Engine 4 Warning Light Gauge
4	Blade Tachometer / Hour Meter
5	Engine Throttle Control
6	Lowering Speed Control Valve
7	Pointer Rope Cleat
8	Emergency Stop Button
9	Blade Depth Stop Rocker Switch
10	Low Blade Water Light
11	Blade Depth Set Light
12	Auto Water System Switch
13	Free Wheel Rocker Switch

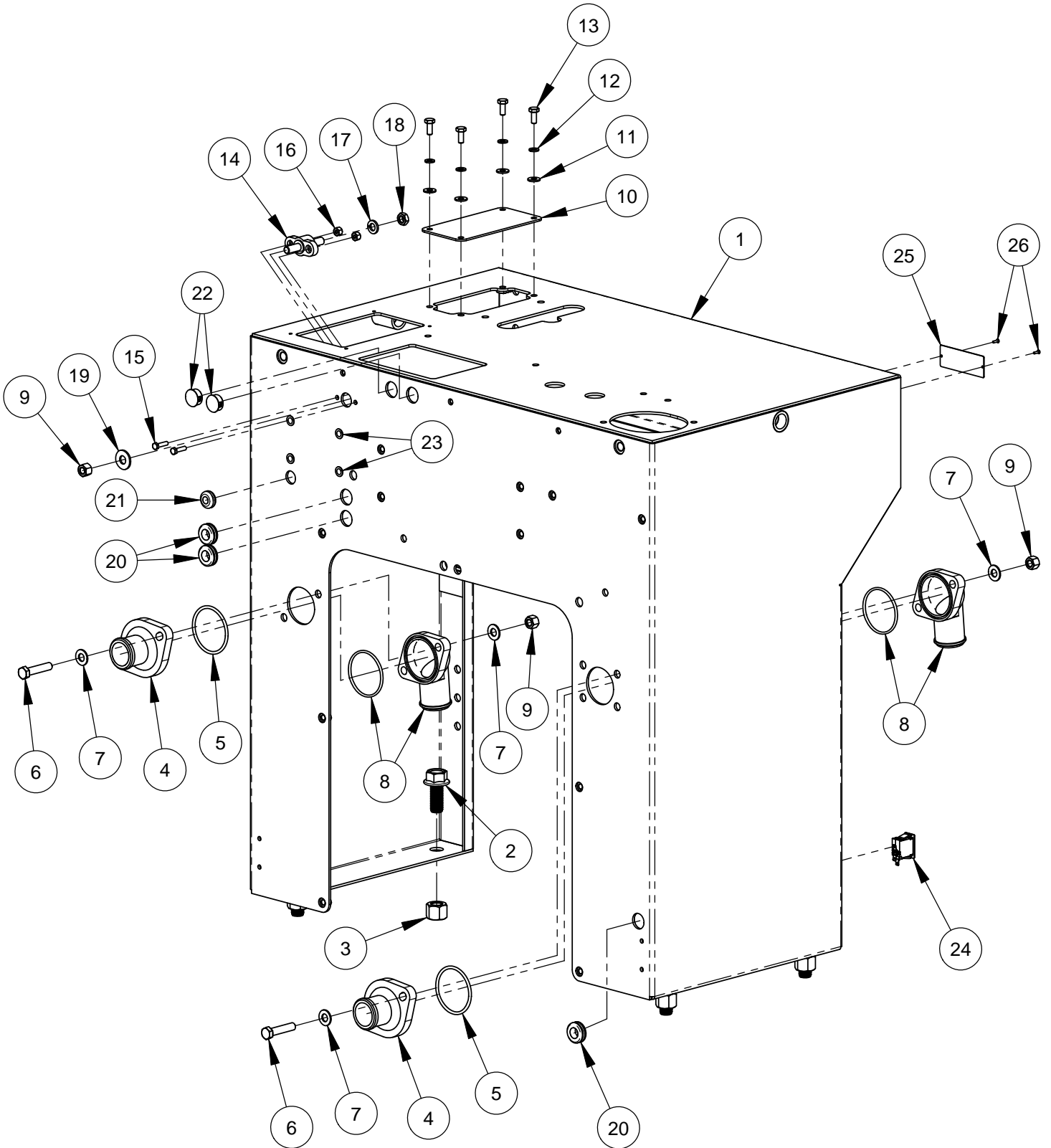
14	Spot Light Rocker Switch
15	Water Pump Switch (Optional)
16	Travel Speed Control Lever
17	Saw Raise Push Button
18	Saw Lower Push Button
19	Tilt Handle Bar Push Button
20	Cutting Depth Indicator
21	Spot Light
22	Spot Light Adjustment Knob
23	Water On/Off Control Valve
24	Water Metering Control Valve
25	Fuel Filler / Gauge Cap
26	Handle Bar Lock Lever



## Quick Reference Service Filters / Belts / Fluids

<b>DP Part No.</b>	<b>Description</b>	<b>Manufacturer's Part No.</b>
2702630	Engine Oil Filter	Kubota #HH1CO-32430
2702631	Engine Fuel Filter	Kubota #16631-43560
2501785	In-Line Fuel Tank Filter	Wix #33007
2501352	Outer Primary Air Filter	Donaldson #P828889
2501353	Inner Safety Air Filter	Donaldson #P829333
3201991	Hydraulic Oil Filter	Zinga #SLE110
2502041	Blade Shaft Belt Set	Gates #5/3VX530
2502042	Blade Shaft Belt Set	Gates #5/3VX560
2500468	Engine Oil (3 Gallons)	SAE 15W-40
2503719	Engine Coolant (3 Gallons)	Antifreeze Pre-mixed
2500468	Lift Pump Fluid (2 Quarts)	SAE 15W-40
2500513	Hydraulic Reservoir (2.5 Gallons)	Mobil DTE10 Excel 46

# Frame Upright Assembly #6017250

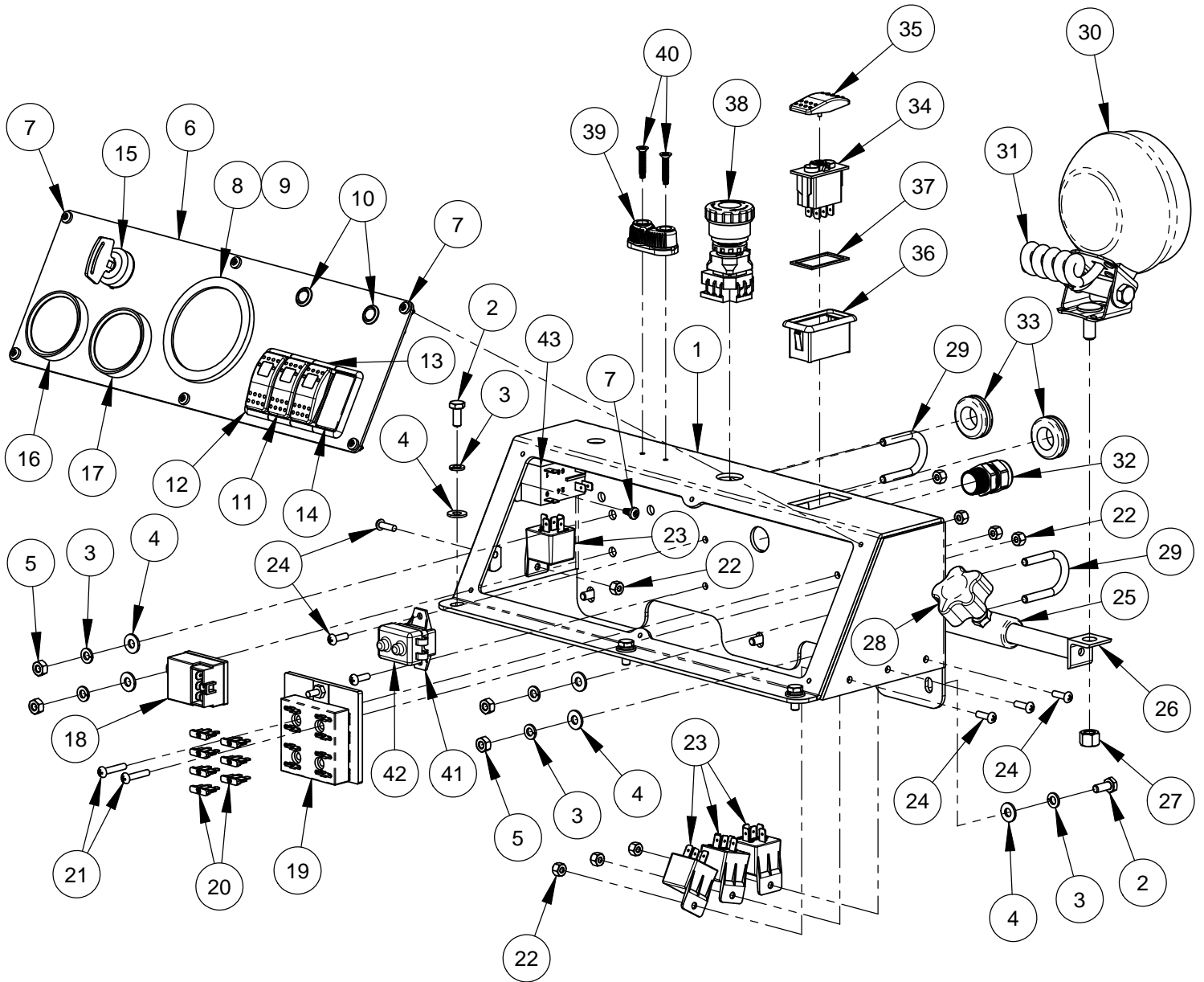




## Frame Upright Assembly #6017250

ITEM	PART NO.	QTY	DESCRIPTION
1	6017151	1	Frame Upright
2	2900164	4	Cap Screw, Flange Hd., 5/8-11 x 1-1/2"
3	2900135	4	Lock Nut, 5/8-11 Nylon
4	6017005	2	Water Neck (Modified)
5	2503774	2	O-Ring #228
6	2900047	4	Cap Screw, Hex Hd., 3/8-16 x 1-3/4"
7	2900014	8	Flat Washer, 3/8" SAE
8	2502399	2	Water Neck with O-Ring
	2700741	1	O-Ring, Elliptical
9	2900018	5	Lock Nut, 3/8-16 Nylon
10	6017212	1	Cover Plate
11	2900009	4	Flat Washer, 1/4" SAE
12	2900024	4	Lock Washer, 1/4" Split
13	2900023	4	Cap Screw, Hex Hd., 1/4-20 x 5/8"
14	2800626	1	Ground Stud Block
15	2900015	2	Machine Screw, Hex Hd., #10-24 x 3/4"
16	2900017	2	Lock Nut, #10-24 Nylon
17	2900006	1	Lock Washer, 3/8" Split
18	2900782	1	Jam Nut, 3/8-16
19	2900473	1	Flat Washer, 3/8" USS
20	2503712	3	Grommet, 9/16" I.D.
21	2503773	1	Grommet, 3/8" I.D.
22	2503746	2	Plug, 13/16" Hole
23	2503749	4	Plug, 5/16" Hole
24	2800607	1	Door Interlock Switch
25	1800169	1	Serial Number Plate, US
26	2900096	2	Rivet, 3/32" Dia.

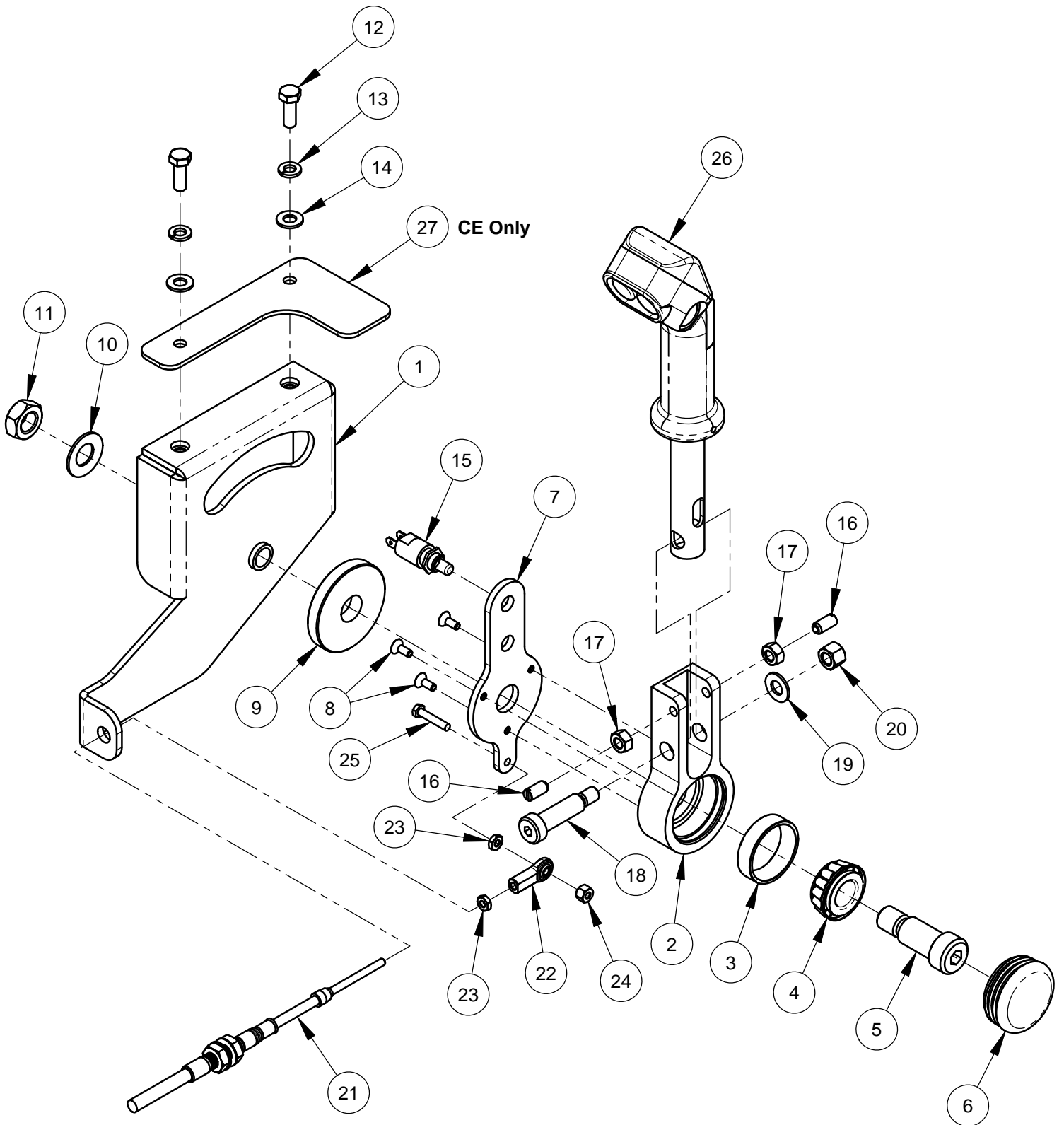
# Instrument Panel Assembly #6017161B



## Instrument Panel Assembly #6017161B

ITEM	PART NO.	QTY.	DESCRIPTION
1	6017131	1	Instrument Box
2	2900023	6	Cap Screw, Hex Hd., 1/4-20 x 5/8"
3	2900024	10	Lock Washer, 1/4" Split
4	2900009	10	Flat Washer, 1/4" SAE
5	2900125	4	Hex Nut, 1/4-20
6	6017047	1	Gauge Panel
7	2900021	8	Tap Screw, Pan Hd., #10-24 x 3/8"
8	6010416	1	Tach/Hour Meter (VDO) Calibrated
9	2400628	1	O-Ring #152
10	2800640	2	Indicator Light (Red)
11	2800808	3	Rocker Switch
12	2800615	2	Rocker Mount End Panel
13	2800616	2	Rocker Mount Middle Panel
14	2800262	1	Rocker Mount Panel Plug
15	2705001	1	Ignition Switch & Keys
	2705000	1	Ignition Keys Only (Pair)
16	2800617	1	Water Temperature Gauge
17	2705003	1	Cluster Gauge, 4 Warning Light
18	2705006	1	Timer, 12V DC
19	2800696	1	Fuse Panel, 8 Circuit
20	2800389	7	Fuse, 10 Amp Red ATO/ATC
21	2900967	2	Machine Screw, Rd. Hd., #10-24 x 1"
22	2900017	8	Lock Nut, #10-24 Nylon
23	2800144	4	Relay, 50 Amp, 12V, SPDT
24	2900159	6	Machine Screw, Rd. Hd., #10-24 x 5/8"
25	6017049	1	Light Mount Tube
26	6010106	1	Light Bar
27	2900018	1	Lock Nut, 3/8-16 Nylon
28	2400157	2	Hand Lock Knob, 5/16-18 x 1"
29	2900241	2	U-Bolt, 1/2" Pipe
30	2500194	1	Spot Light, 12 Volt
31	6017086	1	Coiled Light Cord (1 Foot)
32	2800623	1	Cord Grip, 1/2" NPT Nylon
33	2500203	2	Grommet, 3/4" I.D.
34	2800258	1	Rocker Switch Body
35	2800259	1	Rocker Switch Actuator
36	2800260	1	Rocker Mount Panel
37	2800261	1	Rocker Panel Gasket
38	2801367	1	E-Stop Switch
39	2501427	1	Rope Cleat
40	2900483	2	Tap Screw, Flat Hd., #10-24 x 1"
41	2800643	1	Circuit Breaker, 40 Amp
42	2800364	1	Circuit Breaker Boot
43	2801262	1	Relay, 30 Amp, 12V, DPST

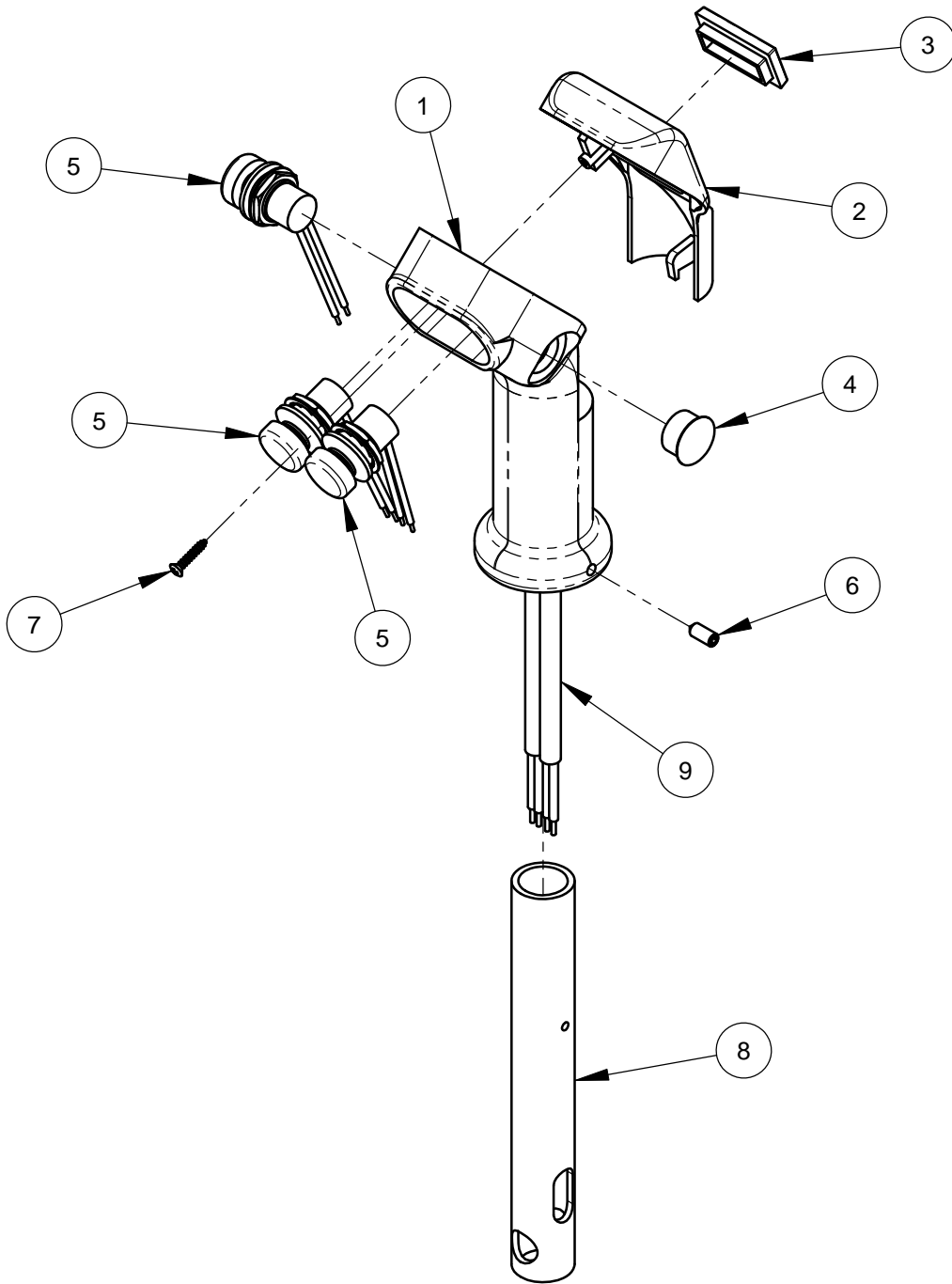
# Speed Control Lever Assembly #6017162B



## Speed Control Lever Assembly #6017162B

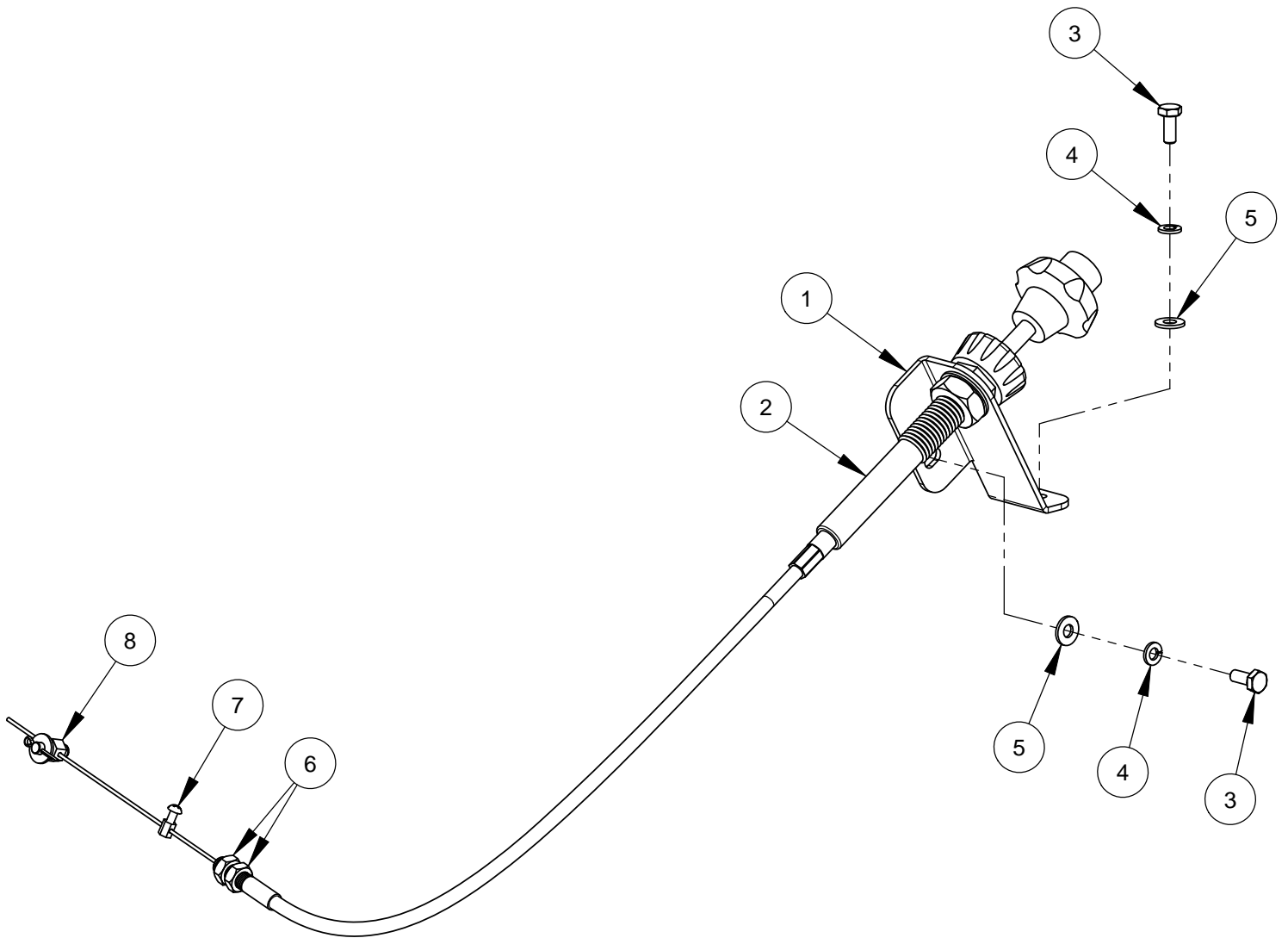
ITEM	PART NO.	QTY.	DESCRIPTION
1	6017128	1	Speed Control Frame
2	6017023	1	Pivot Housing
3	2502384	1	Bearing Cup
4	2502383	1	Bearing Cone
5	2900825	1	Shoulder Screw, 3/4" x 1-1/4" (5/8-11)
6	2502385	1	Grease Cap
7	6017129	1	Swing Arm
8	2900978	3	Cap Screw, Flat Hd., #10-24 x 1/2"
9	6011234	1	Friction Disc, 3/4" x 2-1/2" x 3/8"
10	2900478	1	Belleville Washer, 5/8"
11	2900256	1	Jam Nut, 5/8-11
12	2900668	2	Cap Screw, Hex Hd., 5/16-18 x 7/8"
13	2900031	2	Lock Washer, 5/16" Split
14	2900022	2	Flat Washer, 5/16" SAE
15	2800876	1	Neutral Safety Switch
16	2502386	2	Spring Plunger M8
17	2900343	2	Hex Nut, M8
18	2900826	1	Shoulder Screw, 1/2" x 1-1/2" (3/8-16)
19	2900014	1	Flat Washer, 3/8" SAE
20	2900018	1	Lock Nut, 3/8-16 Nylon
21	2503771	1	Control Cable 66"
22	2500791	1	Rod End, #10-32 Female
23	2900188	2	Hex Nut, #10-32
24	2900688	1	Lock Nut, #10-32 Nylon
25	2900687	1	Machine Screw, Hex Hd., #10-32 x 1"
26	6017182	1	Control Grip Assembly
27	6017319	1	Limiter Plate (CE)

## Control Grip Assembly #6017182



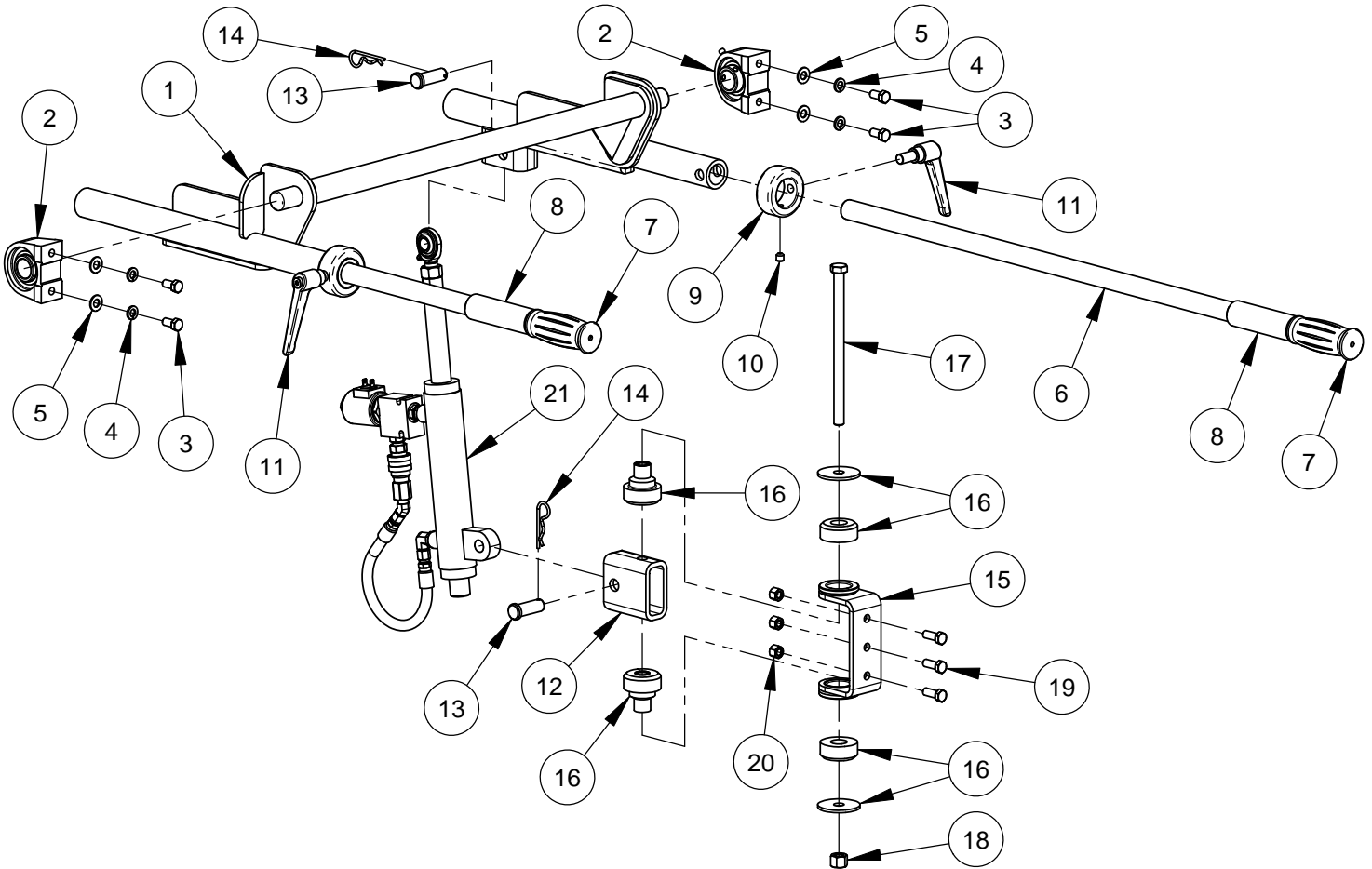
ITEM	PART NO.	QTY.	DESCRIPTION
1	2501280	1	Control Grip Body
2	2501281	1	Control Grip Cover
3	2500644	1	Plug, Rectangular
4	2500694	1	Plug, 5/8" Hole
5	2800373	3	Pushbutton Switch (B&W)
6	2900453	1	Set Screw, Soc. Hd., M5 x 12mm
7	2900452	1	Machine Screw, Oval Hd., #4 x 5/8"
8	6017025	1	Speed Control Tube
9	6017274	1	Control Grip Harness

## Throttle Cable Assembly #6017256



ITEM	PART NO.	QTY.	DESCRIPTION
1	6017132	1	Throttle Bracket
2	2503772	1	Vernier Throttle Cable
3	2900023	2	Cap Screw, Hex Hd., 1/4-20 x 5/8"
4	2900024	2	Lock Washer, 1/4" Split
5	2900009	2	Flat Washer, 1/4" SAE
6	2900696	2	Jam Nut, 3/8-24
7	2503847	1	Wire Stop and Screw
8	2502180	1	Wire Stop Pivot Assembly

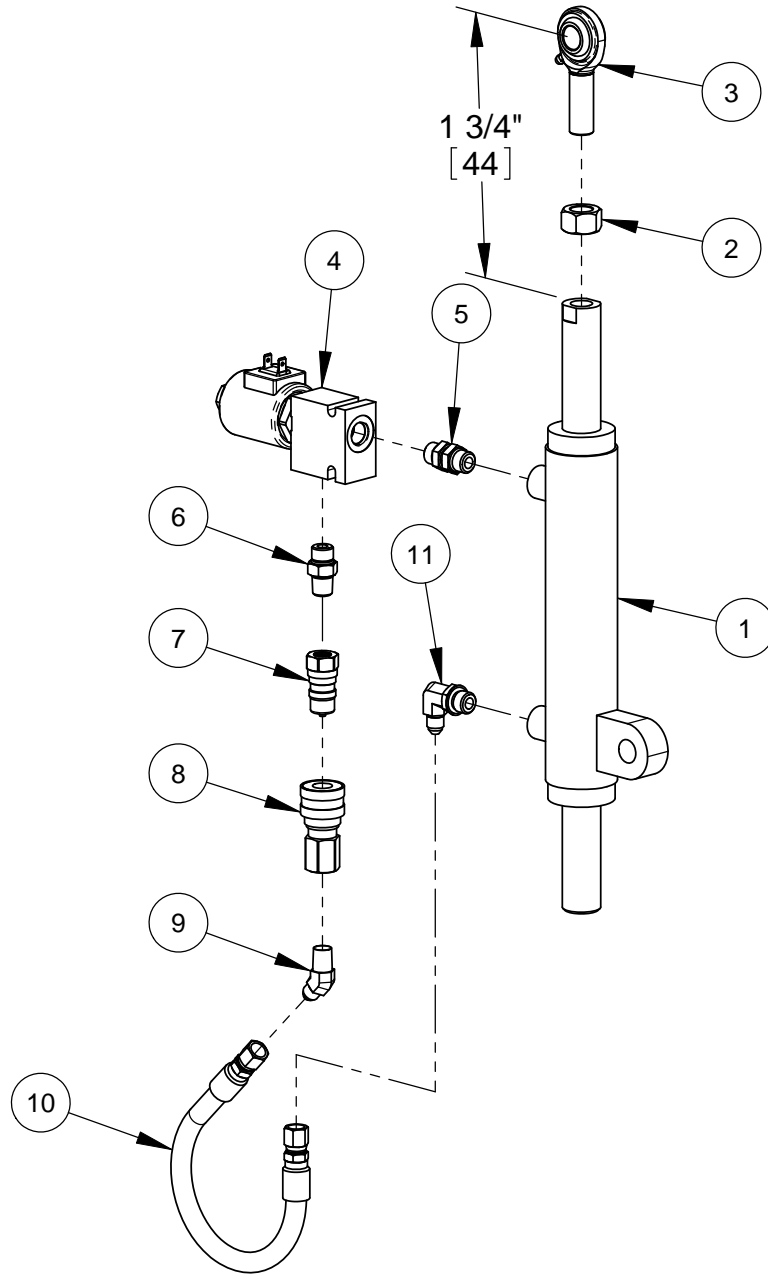
## Handle Bar Assembly #6017164



ITEM	PART NO.	QTY	DESCRIPTION
1	6017026	1	Handle Holder Frame
2	2500732	2	Pillow Block Bearing 1"
3	2900196	4	Cap Screw, Hex Hd., 3/8-16 x 3/4"
4	2900006	4	Lock Washer, 3/8" Split
5	2900014	4	Flat Washer, 3/8" SAE
6	6010014	2	Handle Bar, 36" Long
7	2500636	2	Handle Grip
8	2501955	2	Handle Stop Grip
9	6017027	2	Lock Collar
10	2900131	2	Set Screw, Soc. Hd., 3/8-16 x 3/8"
11	2502390	2	Adjustable Lever 1/2-13 x 1"
12	6017301	1	Isolator Mount Tube
13	2900828	2	Clevis Pin, 5/8" x 1-3/4"
14	2900829	2	Hairpin Cotter, 1/8" x 5/8" to 7/8"
15	6017302	1	Isolator Mount Bracket
16	2503789	2	Vibration Isolator
17	2900893	1	Cap Screw, Hex Hd., 1/2-13 x 8"
18	2900026	1	Lock Nut, 1/2-13 Nylon
19	2900005	3	Cap Screw, Hex Hd., 3/8-16 x 1"
20	2900018	3	Lock Nut, 3/8-16 Nylon
21	6017243	1	Double Rod Cylinder Assembly

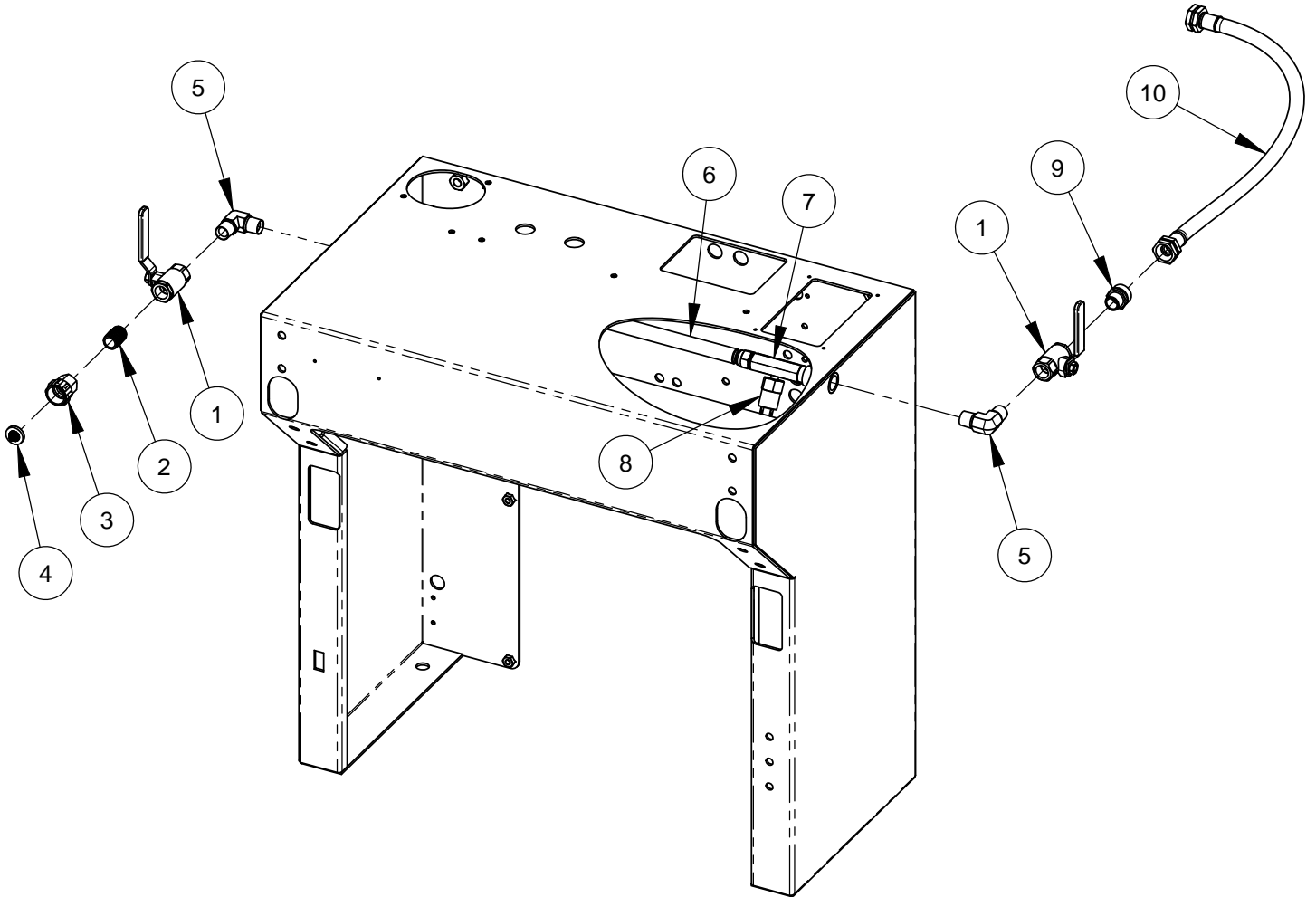


## Double Rod Cylinder Assembly #6017243



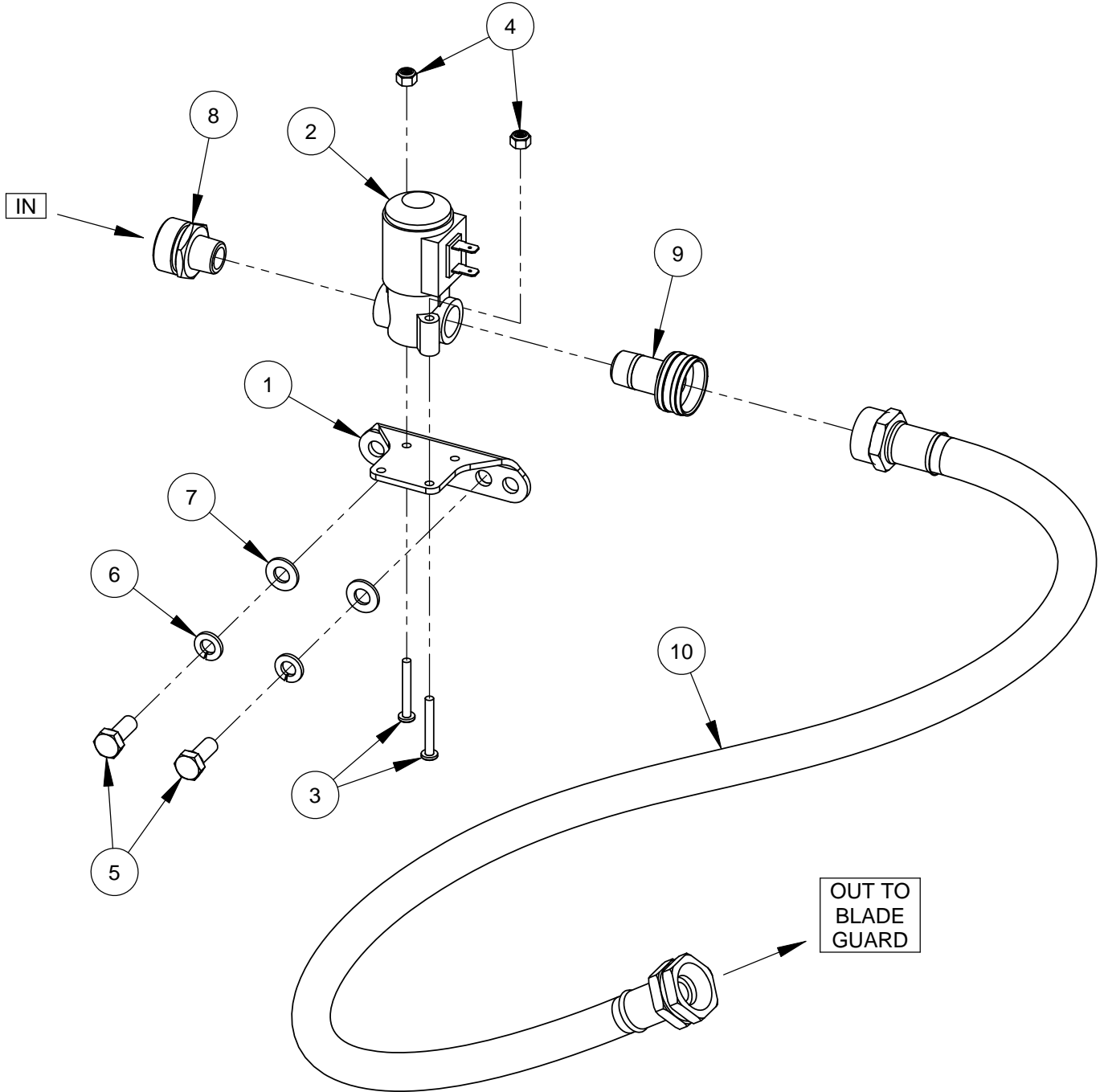
ITEM	PART NO.	QTY	DESCRIPTION
1	2503725	1	Cylinder, Double Rod
2	2900255	1	Hex Nut, 5/8-18
3	2503732	1	Rod End, 5/8-18 Male
4	3201660	1	Valve, Solenoid Blocking
5	3201661	1	Union, 3/8" to 3/8" O-Ring
6	3201662	1	Adapter, 3/8" O-Ring to 1/4" M. Pipe
7	3200381	1	Nipple, 1/4" Q.D.
8	3200382	1	Coupler, 1/4" Q.D.
9	3201663	1	Elbow, 1/4" M. Pipe to 1/4" M. JIC (45 deg)
10	6017196	1	Hose Assembly 1/4" x 14"
11	3200551	1	Elbow, 3/8" O-Ring to 1/4" M. JIC

## Water Supply Assembly #6017265



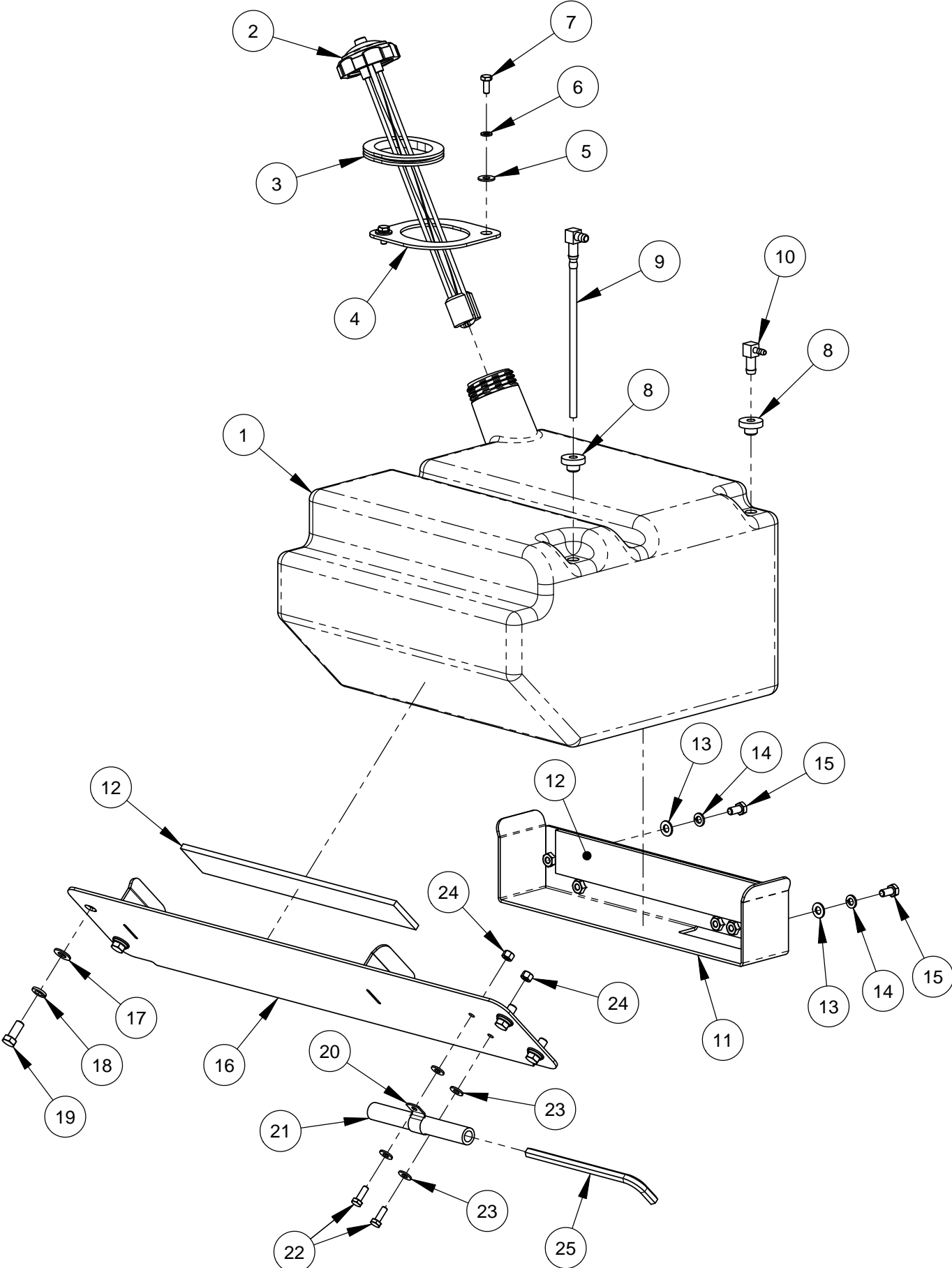
ITEM	PART NO.	QTY	DESCRIPTION
1	3200027	2	Water Valve
2	3200008	1	Close Nipple, 1/2" NPT
3	3200022	1	Fitting, 1/2" F. Pipe to 3/4" F. Garden
4	3200025	1	Hose Filter Washer
5	3200166	2	Elbow, 1/2" Male Pipe
6	6017239	1	Water Hose Assembly 23"
7	6017240	1	Adapter, 1/2" JIC to 1/2" Pipe
8	2800060	1	Water Pressure Safety Switch
9	3200155	1	Fitting, 1/2" M. Pipe to 3/4" M. Garden
10	6040110	1	Water Hose Assembly 60"

## Water Valve Assembly #6017332



ITEM	PART NO.	QTY.	DESCRIPTION
1	6017235	1	Valve Bracket
2	3200775	1	Water Solenoid Valve
3	2900864	2	Machine Screw, Pan Hd., #8-32 x 1-1/4"
4	2900115	2	Lock Nut, #8-32 Nylon
5	2900329	2	Capscrew, Hex Hd., M8 x 20mm
6	2900031	2	Lock Washer, 5/16" Split
7	2900022	2	Flat Washer, 5/16" SAE
8	3200002	1	Fitting, 3/8" M. Pipe to 3/4" M. Garden
9	3202081	1	Fitting, 3/4" F. Garden to 3/8" M. Pipe
10	6017345	1	Water Hose Assembly 30"

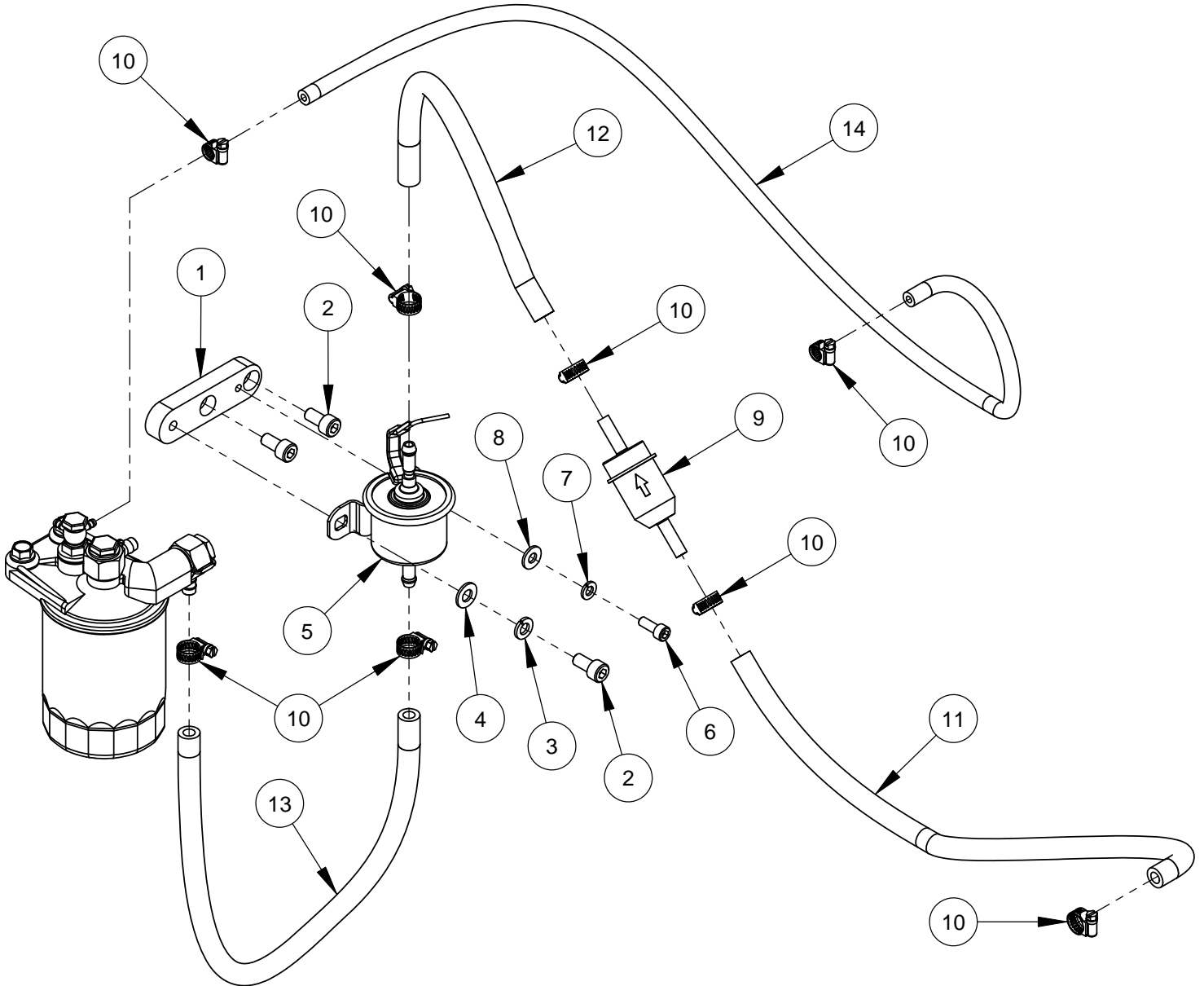
**Fuel Tank Assembly #6017067**



## Fuel Tank Assembly #6017067

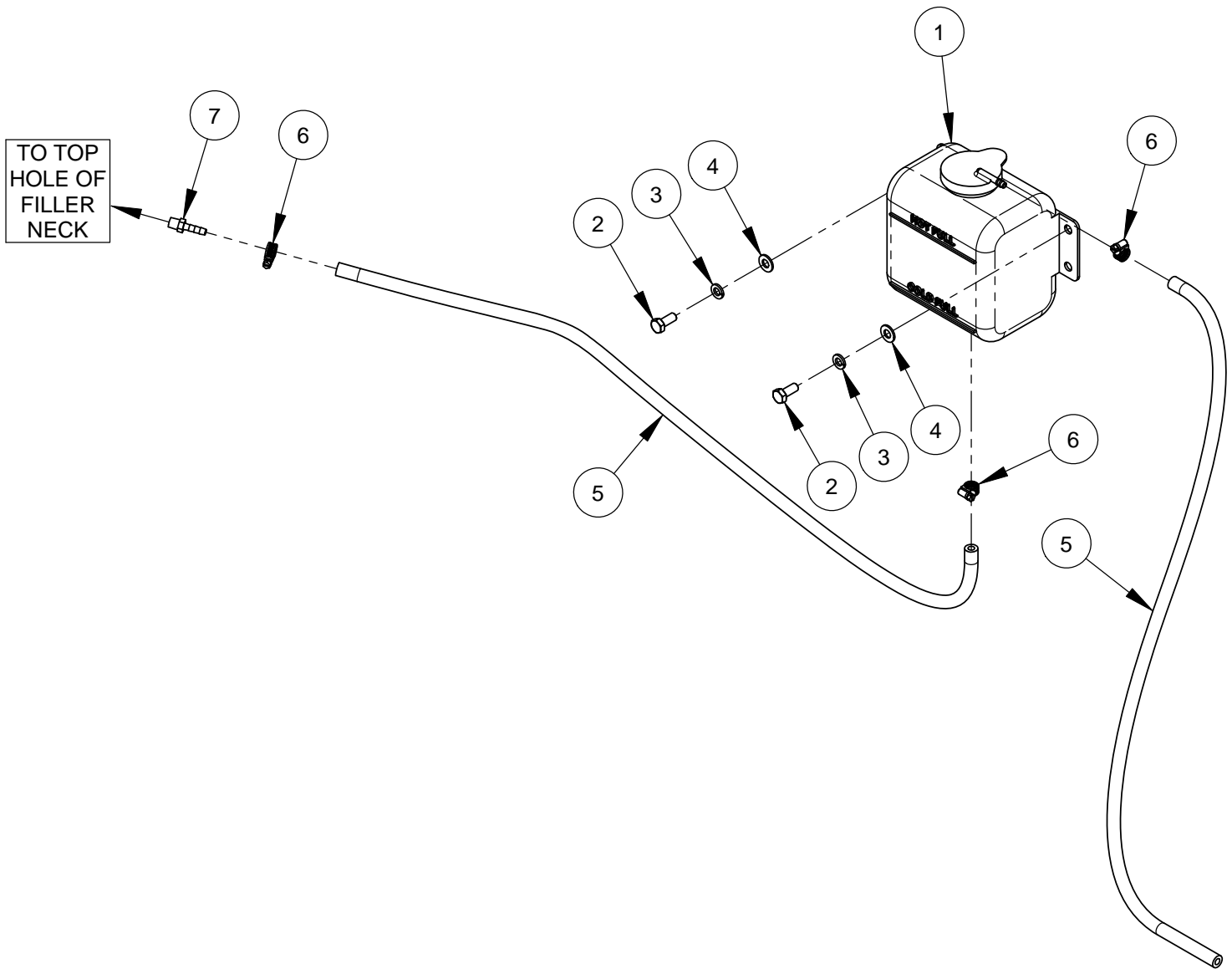
ITEM	PART NO.	QTY	DESCRIPTION
1	6017040	1	Fuel Tank
2	2504786	1	Fuel Tank Cap & Gauge
3	2503706	1	Fuel Tank Grommet
4	6017043	1	Filler Flange Plate
5	2900126	2	Flat Washer, 1/4" USS
6	2900024	2	Lock Washer, 1/4" Split
7	2900023	2	Cap Screw, Hex Hd., 1/4-20 x 5/8"
8	2501215	2	Bushing, Rubber, Tank
9	2503708	1	Tank Elbow w/Pick-Up Tube
10	2503709	1	Tank Elbow, 3/16" Barb
11	6017041	1	Tank Tray
12	6017015	2	Fuel Tank Pad 13-1/2"
13	2900022	2	Flat Washer, 5/16" SAE
14	2900031	2	Lock Washer, 5/16" Split
15	2900883	2	Cap Screw, Hex Hd., 5/16-18 x 5/8"
16	6017042	1	Access Panel
17	2900014	4	Flat Washer, 3/8" SAE
18	2900006	4	Lock Washer, 3/8" Split
19	2900621	4	Cap Screw, Hex Hd., 3/8-16 x 7/8"
20	3201887	1	Hose Clamp
21	6017238	1	Hose, 1/2" I.D. x 6"
22	2900144	2	Cap Screw, Hex Hd., 1/4-20 x 3/4"
23	2900009	4	Flat Washer, 1/4" SAE
24	2900010	2	Lock Nut, 1/4-20 Nylon
25	2501923	1	L-Key, 3/8" Hex

## Fuel Supply Assembly #6017330



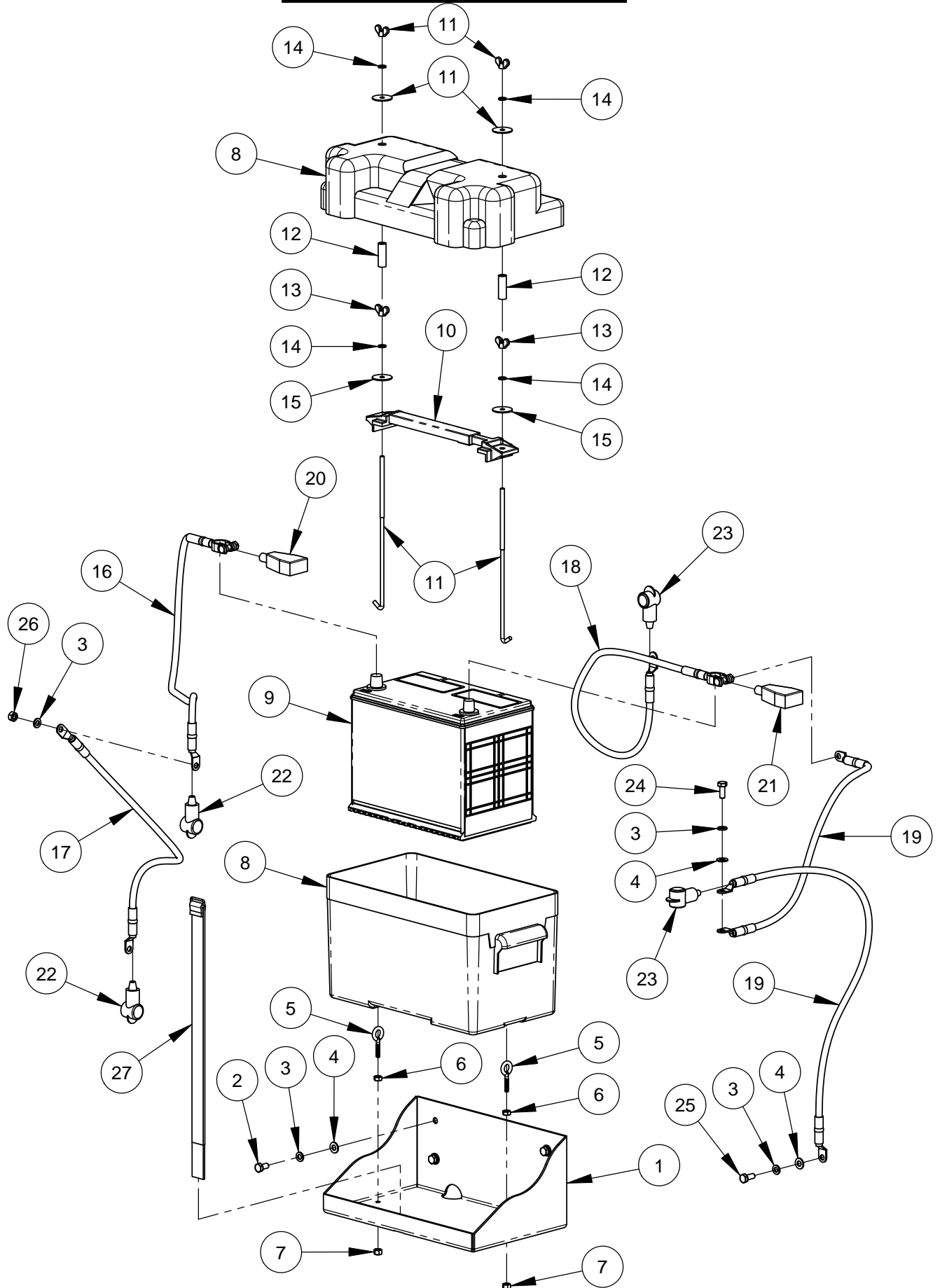
ITEM	PART NO.	QTY.	DESCRIPTION
1	6017146	1	Fuel Pump Mount Bar
2	2900267	3	Cap Screw, Soc. Hd., M8 x 16mm
3	2900031	1	Lock Washer, 5/16" Split
4	2900022	1	Flat Washer, 5/16" SAE
5	2705005	1	Electric Fuel Pump
6	2900553	1	Cap Screw, Soc. Hd., M6 x 16mm
7	2900024	1	Lock Washer, 1/4" Split
8	2900009	1	Flat Washer, 1/4" SAE
9	2501785	1	Filter, Diesel Fuel
10	3200062	8	Hose Clamp #4
11	6017348	1	Fuel Supply Hose, 5/16" I.D. x 24"
12	6017297	1	Fuel Hose, 5/16" I.D. x 14"
13	6017298	1	Fuel Hose, 5/16" I.D. x 22"
14	6017349	1	Fuel Return Hose, 3/16" I.D. x 42"

## Coolant Tank Assembly #6017248



ITEM	PART NO.	QTY	DESCRIPTION
1	2503716	1	Coolant Recovery Tank & Cap
2	2900019	2	Cap Screw, Hex Hd., 5/16-18 x 3/4"
3	2900031	2	Lock Washer, 5/16" Split
4	2900022	2	Flat Washer, 5/16" SAE
5	6017329	2	Hose, 1/4" I.D. x 33"
6	3200062	3	Hose Clamp #4
7	3200018	1	Fitting, 1/8" M. Pipe to 1/4" Hose Barb

# Battery Assembly #6017252

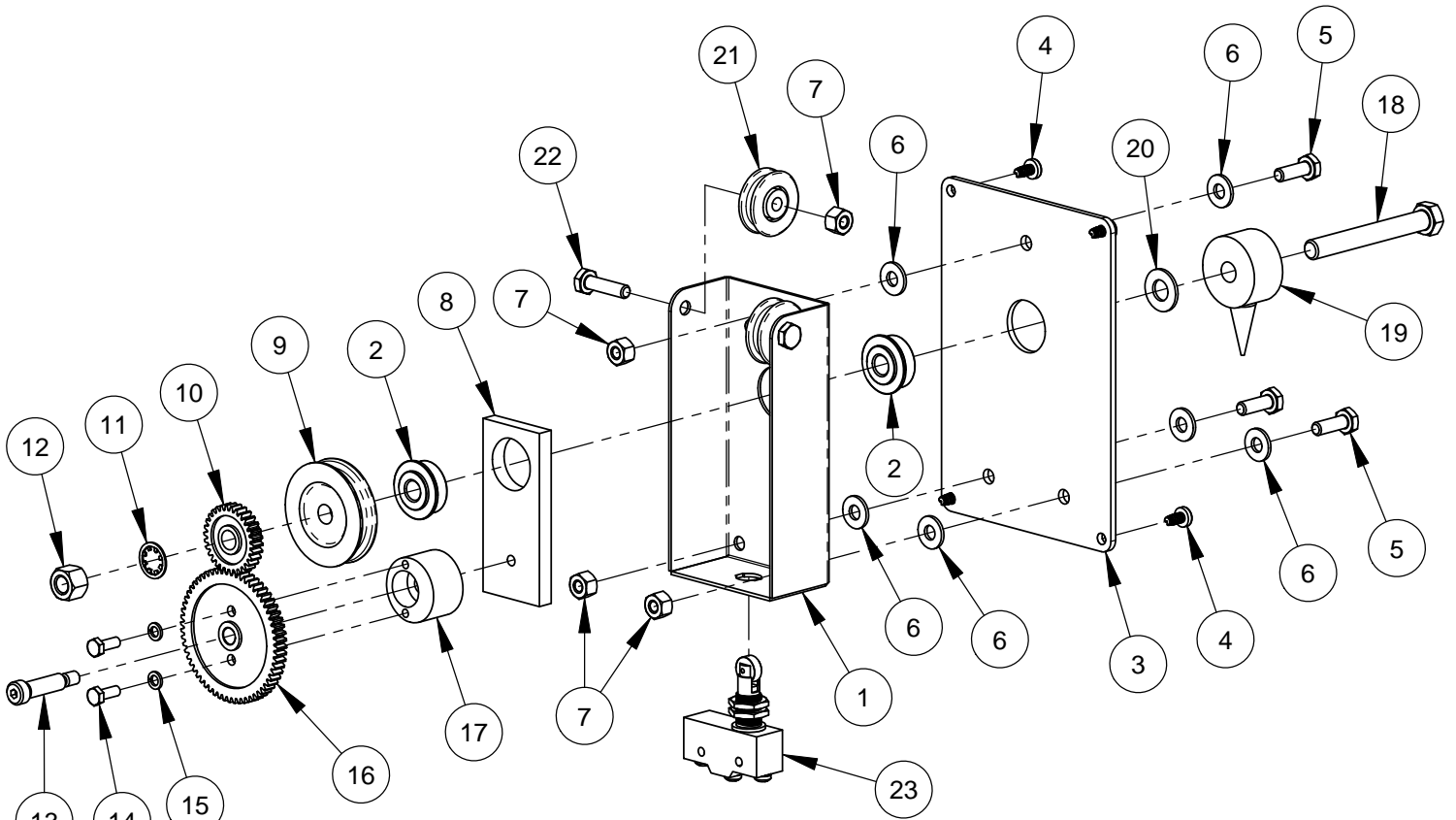




## Battery Assembly #6017252

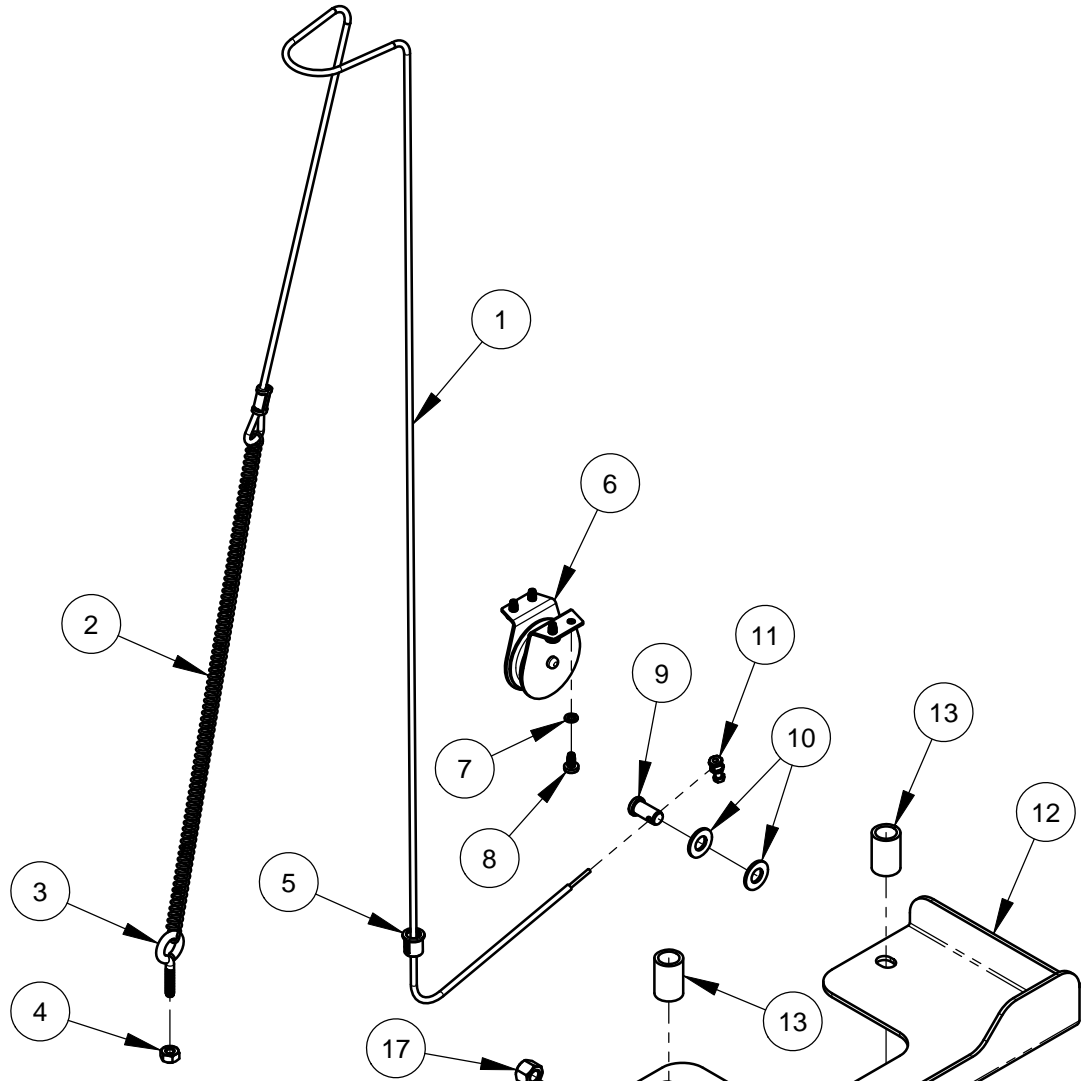
ITEM	PART NO.	QTY.	DESCRIPTION
1	6017207	1	Battery Tray
2	2900883	4	Cap Screw, Hex Hd., 5/16-18 x 5/8"
3	2900031	7	Lock Washer, 5/16" Split
4	2900022	6	Flat Washer, 5/16" SAE
5	2900548	2	Eyebolt, 1/4-20 x 1"
6	2900125	2	Hex Nut, 1/4-20
7	2900010	2	Lock Nut, 1/4-20 Nylon
8	6017010	1	Battery Box & Lid
9	2800465	1	Battery, 12 Volt Group Size 24
10	2502185	1	Battery Hold-Down
11	2502186	1	J-Bolt, Washer & Wing Nut Set
12	6017311	2	Hose Standoff 1-1/2"
13	2900221	2	Wing Nut, 1/4-20
14	2900024	4	Lock Washer, 1/4" Split
15	2900083	2	Fender Washer, 1/4" x 1-1/4"
16	2800071	1	Battery Cable, 21" Positive (Red)
17	2800907	1	Solenoid Cable, 24" Positive (Red)
18	2800072	1	Battery Cable, 30" Negative (Black)
19	2800908	2	Ground Cable, 30" Negative (Black)
20	2800256	1	Battery Boot, Large (Red)
21	2800257	1	Battery Boot, Large (Black)
22	2800197	2	Battery Boot, Small (Red)
23	2800198	2	Battery Boot, Small (Black)
24	2900329	1	Capscrew, Hex Hd., M8 x 20mm
25	2900019	1	Cap Screw, Hex Hd., 5/16-18 x 3/4"
26	2900343	1	Hex Nut, M8
27	2503844	1	Strap, 18" Nylon

## Depth Indicator Assembly #6017060



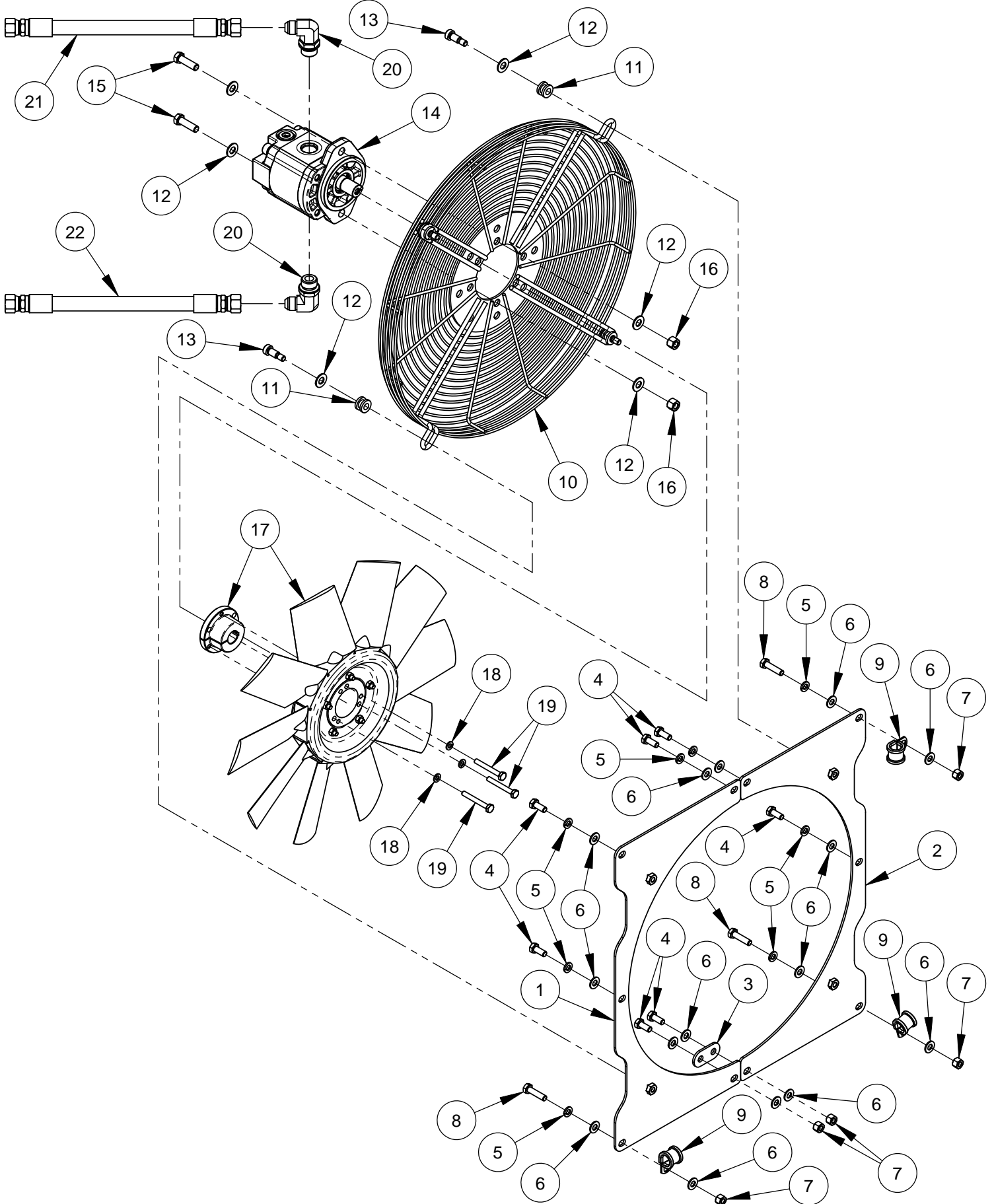
ITEM	PART NO.	QTY.	DESCRIPTION
1	6017031	1	Depth Indicator Bracket
2	2500145	2	Flange Bearing, 3/8"
3	6017032	1	Depth Indicator Panel
4	2900021	4	Tap Screw, Pan Hd., #10-24 x 3/8"
5	2900144	3	Cap Screw, Hex Hd., 1/4-20 x 3/4"
6	2900009	6	Flat Washer, 1/4" SAE
7	2900010	5	Lock Nut, 1/4-20 Nylon
8	6017033	1	Gear Set Plate
9	6017147	1	Cable Pulley
10	6017034	1	Gear, 30 Tooth
11	2900254	1	Lock Washer, 3/8" Internal Tooth
12	2900018	1	Lock Nut, 3/8-16 Nylon
13	2900855	1	Shoulder Screw, 5/16" x 1" (1/4-20)
14	2900448	2	Machine Screw, Hex Hd., #10-32 x 1/2"
15	2900038	2	Lock Washer, #10 Split
16	6017035	1	Gear, 60 Tooth
17	6017036	1	Cam
18	2900035	1	Cap Screw, Hex Hd., 3/8-16 x 3"
19	6010091	1	Depth Indicator Pointer
20	2900014	1	Flat Washer, 3/8" SAE
21	2500155	2	Cable Pulley, 1-1/4"
22	2900008	2	Cap Screw, Hex Hd., 1/4-20 x 1"
23	2800609	1	Limit Switch, Roller Plunger

## Depth Indicator Cable Assembly #6017185B



ITEM	PART NO.	QTY.	DESCRIPTION
1	6017149	1	Depth Indicator Cable with Crimp, 52"
2	2500196	1	Spring, 3/8" x 15"
3	2900548	1	Eyebolt, 1/4-20 x 1"
4	2900125	1	Hex Nut, 1/4-20
5	2503731	1	Snap Hole Bushing 1/2"
6	2503724	1	Wire Rope Pulley
7	2900038	4	Lock Washer, #10 Split
8	2900021	4	Tap Screw, Pan Hd., #10-24 x 3/8"
9	2900261	1	Clevis Pin, 3/8" Dia. x 3/4"
10	2900014	6	Flat Washer, 3/8" SAE
11	2501189	1	Wire Stop Fitting & Screw
12	6017318	1	Slurry Shield
13	6048127	2	Spacer Tube, 1-1/8" Long
14	2900006	2	Lock Washer, 3/8" Split
15	2900047	2	Cap Screw, Hex Hd., 3/8-16 x 1-3/4"
16	2900013	1	Cap Screw, Hex Hd., 3/8-16 x 1-1/4"
17	2900018	1	Lock Nut, 3/8-16 Nylon

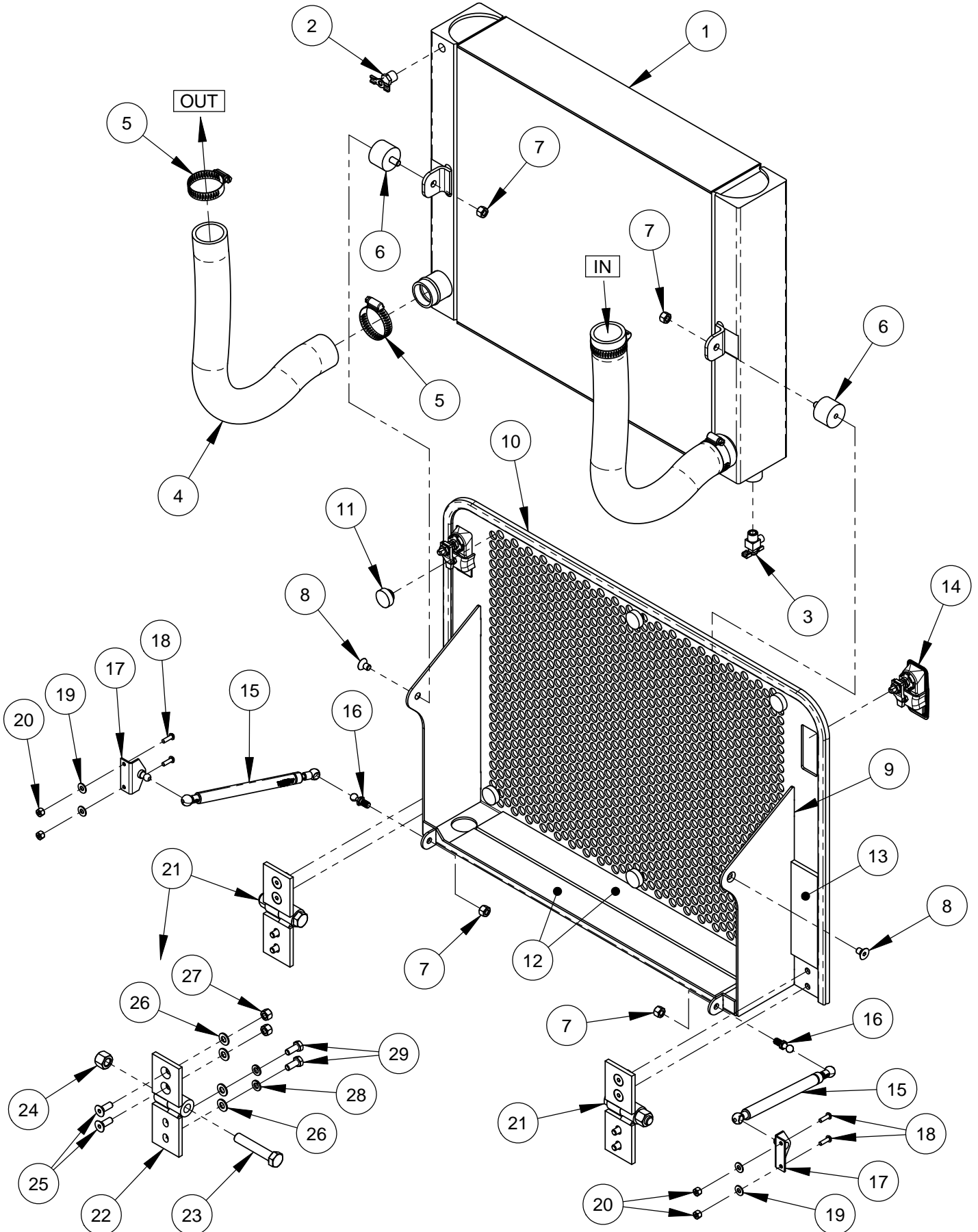
# Fan Assembly #6017251



## Fan Assembly #6017251

ITEM	PART NO.	QTY.	DESCRIPTION
1	6017206A	1	Fan Shroud (Left)
2	6017206B	1	Fan Shroud (Right)
3	6017038	1	Link
4	2900019	7	Cap Screw, Hex Hd., 5/16-18 x 3/4"
5	2900031	8	Lock Washer, 5/16" Split
6	2900022	15	Flat Washer, 5/16" SAE
7	2900039	5	Lock Nut, 5/16-18 Nylon
8	2900217	3	Cap Screw, Hex Hd., 5/16-18 x 1-1/4"
9	2801151	3	Hose Clamp, 3/4" x 3/4" Wide
10	2503741	1	Fan Guard
11	2503846	4	Grommet, 3/8" I.D.
12	2900014	8	Flat Washer, 3/8" SAE
13	2900936	4	Shoulder Screw, 3/8" x 5/8" (5/16-18)
14	2600552	1	Casappa Gear Motor
15	2900013	2	Cap Screw, Hex Hd., 3/8-16 x 1-1/4"
16	2900018	2	Lock Nut, 3/8-16 Nylon
17	2503740	1	Fan, 17" with QD Bushing
	2503845	1	QD Bushing, SH x 3/4"
18	2900024	3	Lock Washer, 1/4" Split
19	2900294	3	Cap Screw, Hex Hd., 1/4-20 x 2"
20	3200366	2	Elbow, 5/8" O-Ring to 1/2" M. JIC
21	6017327	1	Hose Assembly 1/2" x 37"
22	6017328	1	Hose Assembly 1/2" x 56"

# Radiator Assembly #6017055

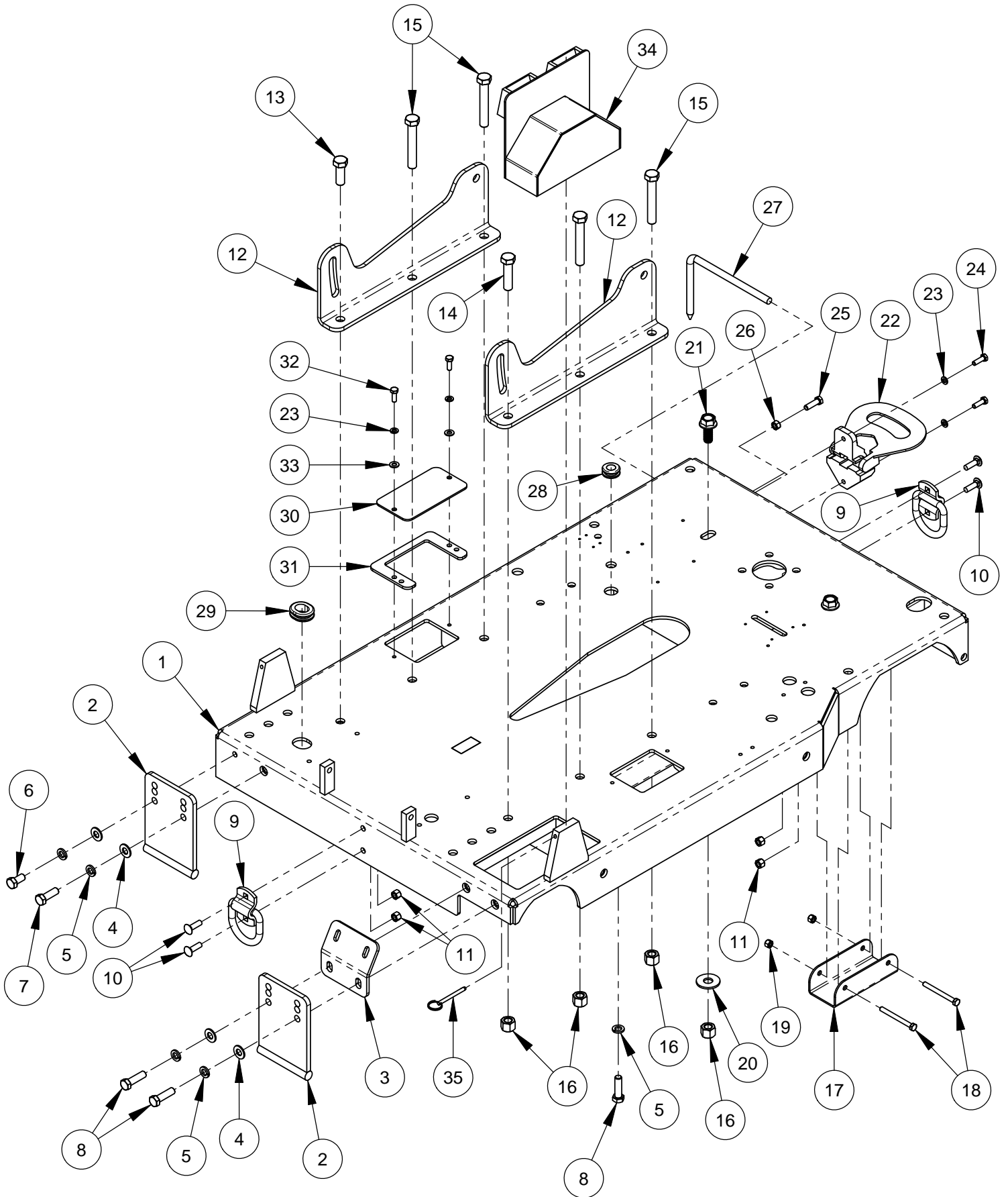


## Radiator Assembly #6017055

ITEM	PART NO.	QTY	DESCRIPTION
1	2502190	1	Radiator
2	3200035	1	Petcock, 1/4 NPT
3	3202143	1	Drain Valve, 1/4" NPT
4	3202141	2	Radiator Hose, 1-1/2" x 22"
5	3202142	4	Hose Clamp #24
6	2502191	2	Vibration Isolator, 5/16-18
7	2900039	4	Lock Nut, 5/16-18 Nylon
8	2900812	2	Cap Screw, Flat Hd., 5/16-18 x 1/2"
9	6017012	1	Radiator Door
10	6017013	1	Edge Trim Seal 65"
11	2502389	6	Button Bumper
12	6017014	2	Radiator Pad 20"
13	6017267	1	Rubber Strip 6"
14	2502196	2	Latch Assembly
15	2502374	2	Damper, Extension
16	2502376	2	Ball Stud 10mm
17	2501144	2	Mounting Ball L-Bracket
18	2900159	4	Machine Screw, Rd. Hd., #10-24 x 5/8"
19	2900016	4	Flat Washer, #10 USS
20	2900017	4	Lock Nut, #10-24 Nylon
21	6017016	2	Hinge Assembly

ITEM	PART NO.	QTY	DESCRIPTION
22	6017017	1	Radiator Door Hinge
23	2900105	1	Cap Screw, Hex Hd., 1/2-13 x 2-3/4"
24	2900026	1	Lock Nut, 1/2-13 Nylon
25	2900612	2	Cap Screw, Flat Hd., 5/16-18 x 7/8"
26	2900022	4	Flat Washer, 5/16" SAE
27	2900039	2	Lock Nut, 5/16-18 Nylon
28	2900031	2	Lock Washer, 5/16" Split
29	2900019	2	Cap Screw, Hex Hd., 5/16-18 x 3/4"

# Frame Base Assembly #6017254

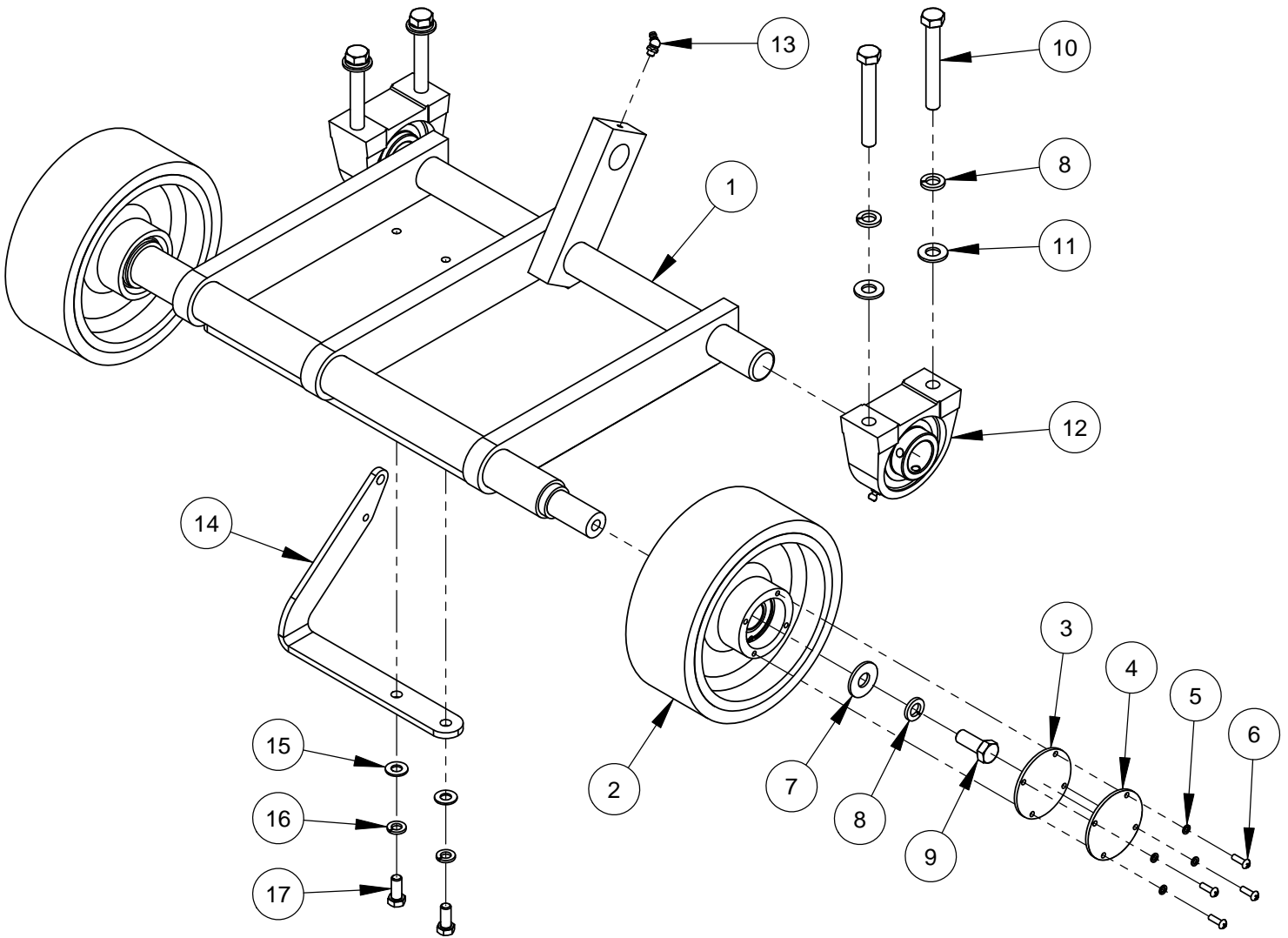




## Frame Base Assembly #6017254

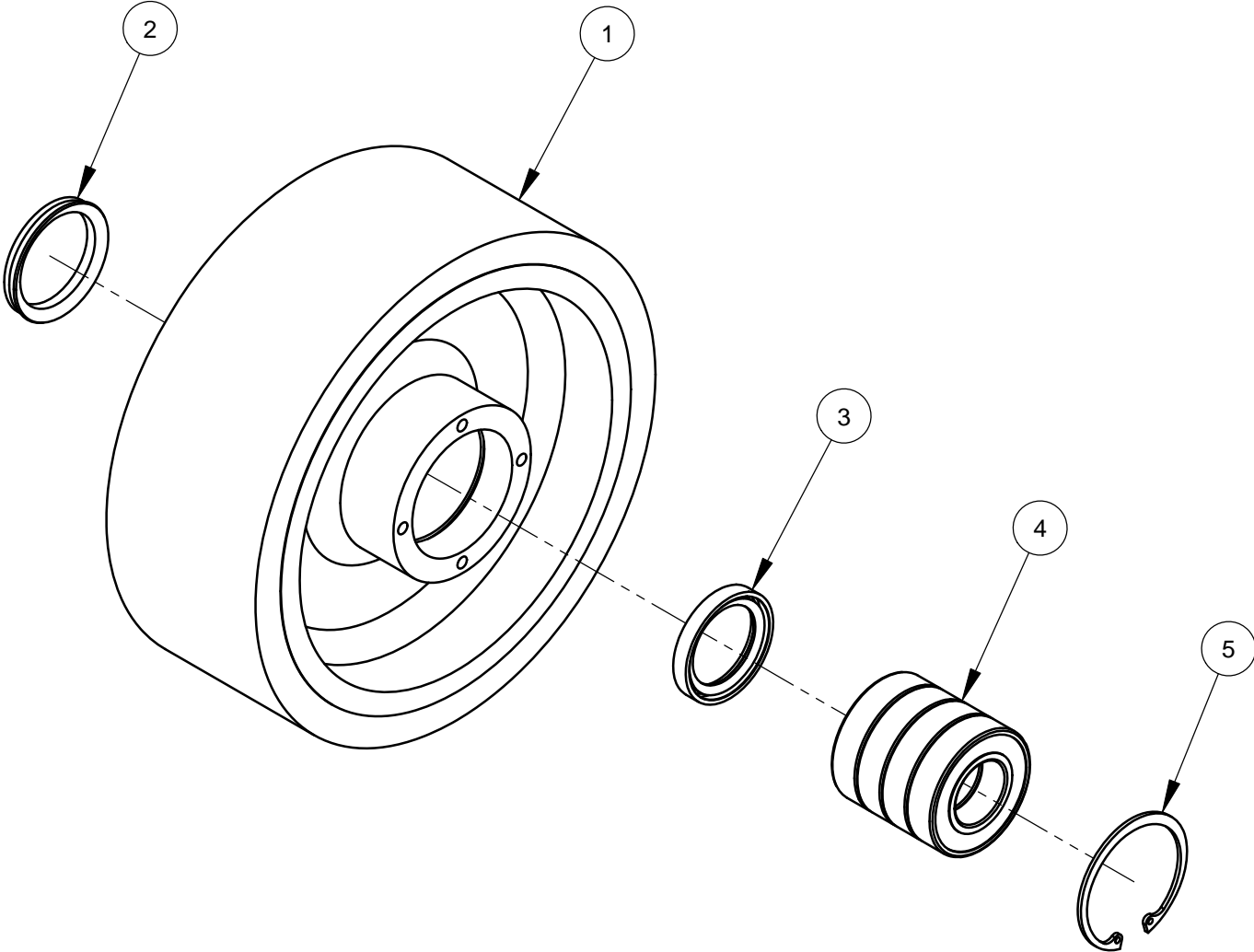
ITEM	PART NO.	QTY.	DESCRIPTION
1	6017200	1	Frame Base Weldment
2	6017213	2	Skid Plate
3	6017214	1	Guard Attachment Plate (30 degree)
4	2900058	4	Flat Washer, 1/2" SAE
5	2900084	6	Lock Washer, 1/2" Split
6	2900086	1	Cap Screw, Hex Hd., 1/2-13 x 1"
7	2900499	1	Cap Screw, Hex Hd., 1/2-13 x 1-1/2"
8	2900139	4	Cap Screw, Hex Hd., 1/2-13 x 1-3/4"
9	2504368	2	Tie Down
10	2900046	4	Carriage Bolt, 3/8-16 x 1-1/4"
11	2900018	4	Lock Nut, 3/8-16 Nylon
12	6017202	2	Engine Mount
13	2900147	1	Cap Screw, Hex Hd., 5/8-11 x 1-3/4"
14	2900527	1	Cap Screw, Hex Hd., 5/8-11 x 2-1/2"
15	2900146	4	Cap Screw, Hex Hd., 5/8-11 x 4"
16	2900135	8	Lock Nut, 5/8-11 Nylon
17	6017323	2	Rail Shoe
18	2900030	4	Cap Screw, Hex Hd., 5/16-18 x 2"
19	2900039	4	Lock Nut, 5/16-18 Nylon
20	2900721	2	Flat Washer, 5/8" USS Hardened
21	2900164	2	Cap Screw, Flange Hd., 5/8-11 x 1-1/2"
22	2503798	1	Foot Rest, Folding
23	2900031	4	Lock Washer, 5/16" Split
24	2900138	2	Cap Screw, Hex Hd., 5/16-18 x 1"
25	2900013	1	Cap Screw, Hex Hd., 3/8-16 x 1-1/4"
26	2900033	1	Hex Nut, 3/8-16
27	6010683	1	Rear Pointer Rod
28	2503742	1	Grommet, 11/16" I.D.
29	2503743	1	Grommet, 1" I.D.
30	6017211	1	Wheel Cover Plate
31	6017229	1	Wheel Cover Spacer
32	2900668	2	Cap Screw, Hex Hd., 5/16-18 x 7/8"
33	2900022	2	Flat Washer, 5/16" SAE
34	6010645	1	Shaft/Flange Guard (Wide)
35	2900156	1	Lock Pin with Ring

## Front Axle Assembly #6017255



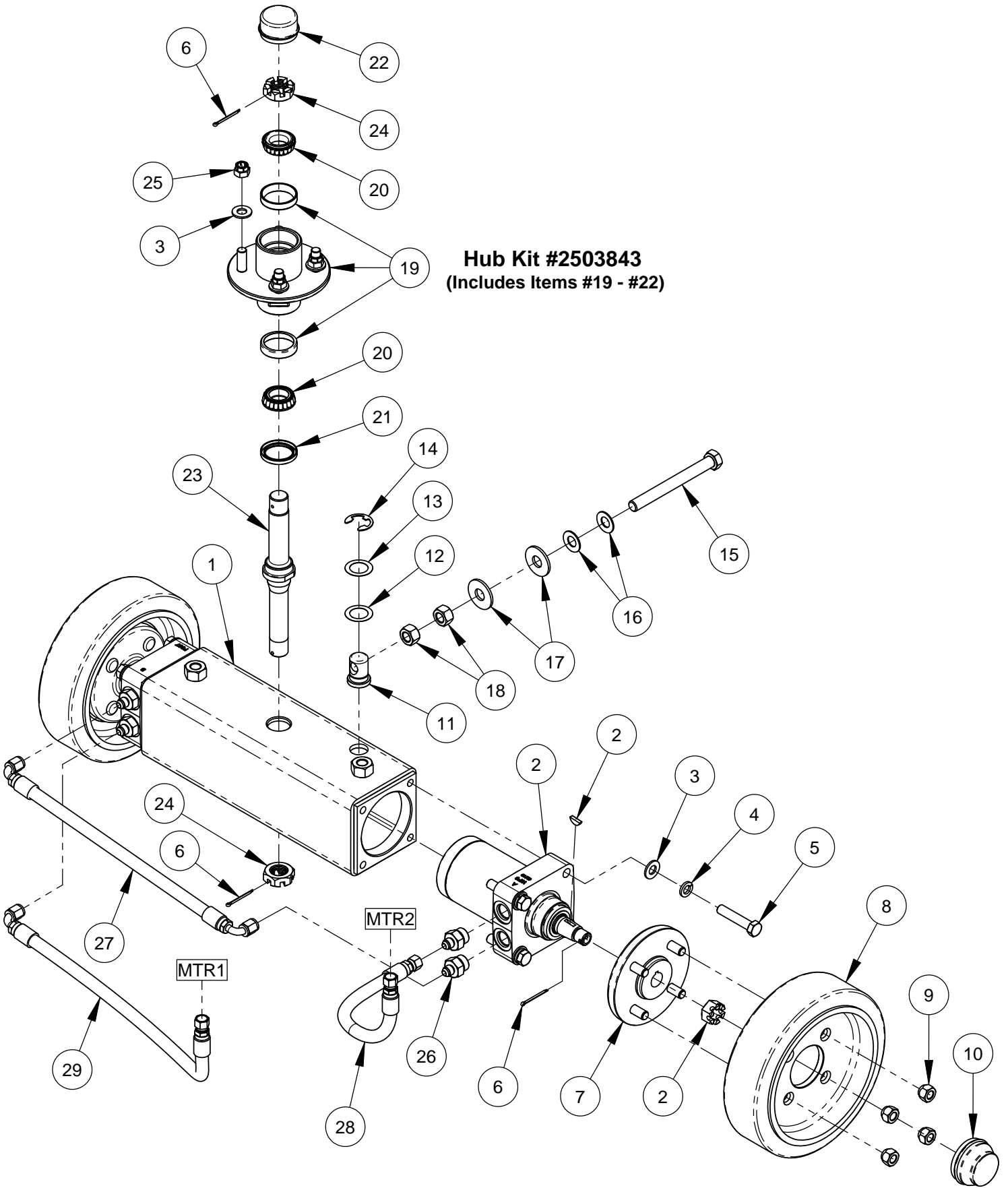
ITEM	PART NO.	QTY	DESCRIPTION
1	6017201	1	Front Axle Weldment
2	6010581	2	Wheel Assembly, 8" Front
3	2501393	2	Wheel Cover Gasket
4	6010536	2	Wheel Cover
5	2900038	8	Lock Washer, #10 Split
6	2900159	8	Machine Screw, Rd. Hd., #10-24 x 5/8"
7	2900127	2	Flat Washer, 1/2" USS
8	2900084	6	Lock Washer, 1/2" Split
9	2900025	2	Cap Screw, Hex Hd., 1/2-13 x 1-1/4"
10	2900400	4	Cap Screw, Hex Hd., 1/2-13 x 3-3/4"
11	2900058	4	Flat Washer, 1/2" SAE
12	2500158	2	Pillow Block Bearing 1-1/4"
13	2900184	1	Grease Fitting, 1/4" NPT x 45 degree
14	6017144	1	Front Axle Arm
15	2900014	2	Flat Washer, 3/8" SAE
16	2900006	2	Lock Washer, 3/8" Split
17	2900621	2	Cap Screw, Hex Hd., 3/8-16 x 7/8"

**Front Wheel Assembly #6010581**



ITEM	PART NO.	QTY.	DESCRIPTION
1	2501390	1	Wheel, 8" Front
2	2501428	1	Seal, 1-1/2" V-Ring
3	2501391	1	Seal, 1-1/4" x 1-3/4" x 1/4"
4	2501418	4	Ball Bearing, 1" x 2" x 1/2"
5	2501392	1	Retaining Ring, 2" Internal

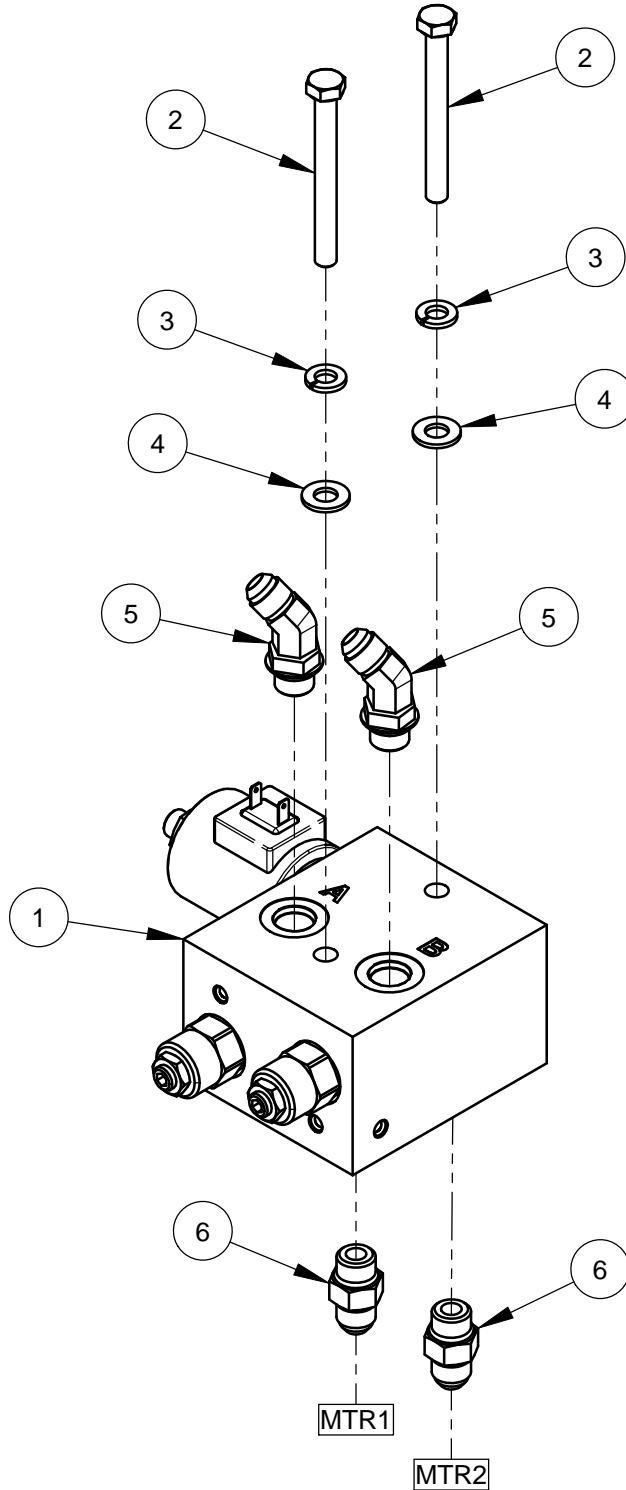
# Rear Axle Assembly #6017304



## Rear Axle Assembly #6017304

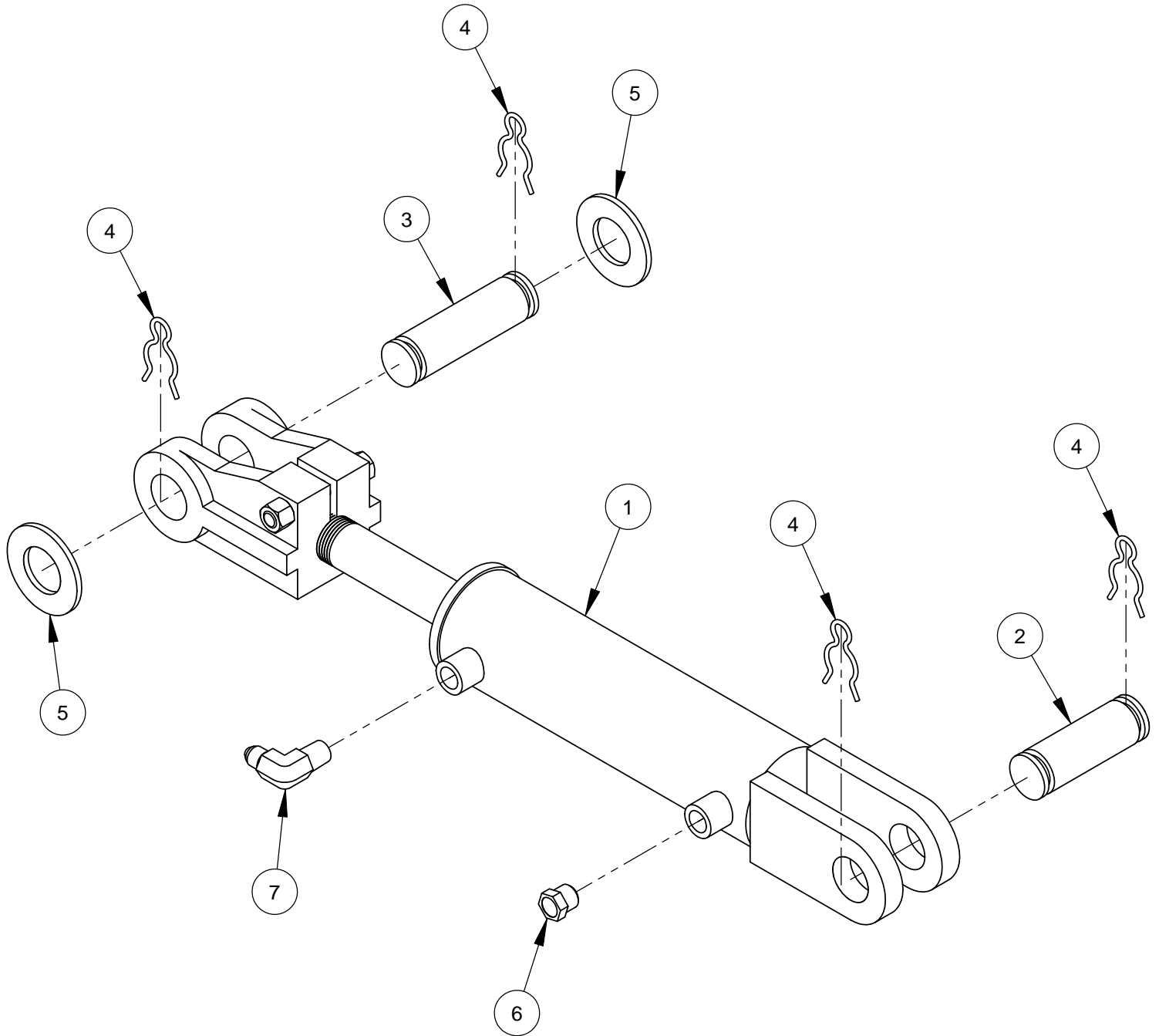
ITEM	PART NO.	QTY	DESCRIPTION
1	6017305	1	Motor Mount Tube Weldment
2	2600654	2	Parker Wheel Motor
	2901327	1	Woodruff Key #9, 3/16" x 3/4"
	2703207	1	Hex Slotted Nut, 3/4-16
3	2900058	12	Flat Washer, 1/2" SAE
4	2900084	8	Lock Washer, 1/2" Split
5	2900811	8	Cap Screw, Hex Hd., 1/2-13 x 2-1/2"
6	2900950	4	Cotter Pin, 1/8" x 1-1/2"
7	2502175	2	Wheel Hub
8	2502174	2	Wheel, 10" Rear
9	2900975	8	Lug Nut, 1/2-20
10	2502176	2	Hub Cap
11	6017004	1	Swivel, 5/8-11
12	2900938	1	Shim .010" Thick
13	2900940	1	Shim .015" Thick
14	2501224	1	E-Ring, 1"
15	2900907	1	Tap Bolt, Hex Hd., 5/8-11 x 6"
16	2900478	2	Belleville Washer, 5/8"
17	2900721	2	Flat Washer, 5/8" USS Hardened
18	2900112	2	Hex Nut, 5/8-11
19	2503794	1	Hub with Bearing Cups
	2501222	2	Tapered Bearing Cup
20	2503766	2	Tapered Bearing Cone, 1-1/16"
21	2503767	1	Seal, Double Lip 1-1/2" ID
22	2503795	1	Grease Cap 2"
23	6017322	1	Kingpin
24	2707220	2	Hex Nut, 1"-14 Slotted
25	2900833	4	Lock Nut, 1/2-20 Flex Top
26	3201724	4	Adapter, 5/8" O-Ring to 3/8" M. JIC
27	6017020	1	Hose Assembly, 3/8" x 18-1/4"
28	6017295	1	Hose Assembly 3/8" x 14"
29	6017296	1	Hose Assembly 3/8" x 25"

## Valve Block Assembly #6017171



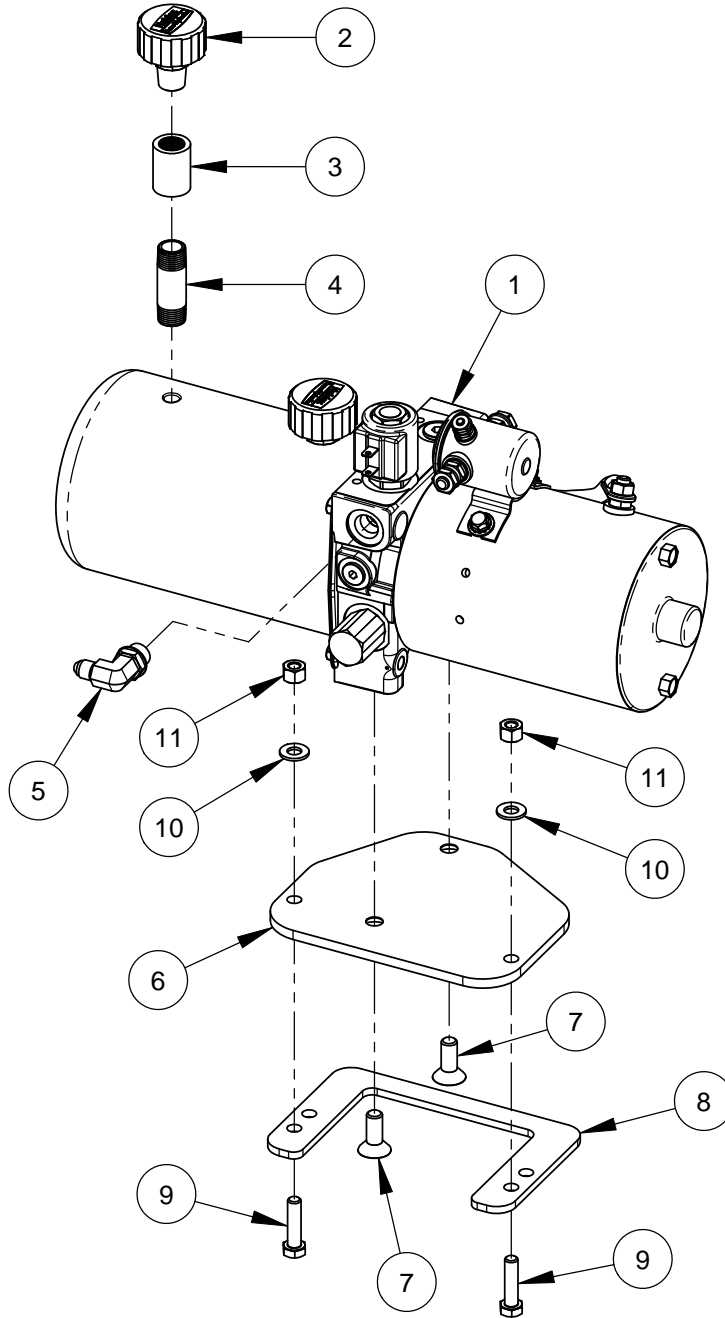
ITEM	PART NO.	QTY.	DESCRIPTION
1	3201664	1	Valve Block Unit
2	2900248	2	Cap Screw, Hex Hd., 5/16-18 x 3"
3	2900031	2	Lock Washer, 5/16" Split
4	2900022	2	Flat Washer, 5/16" SAE
5	3201981	2	Elbow, 3/8" O-Ring to 3/8" M. JIC (45 Deg)
6	3200263	2	Adapter, 3/8" O-Ring to 3/8" M. JIC

## Hydraulic Cylinder Assembly #6017097



ITEM	PART NO.	QTY	DESCRIPTION
1	2500178	1	Hydraulic Cylinder
2	6010031	1	Cylinder Pin, 3"
3	6010119	1	Cylinder Pin, 3-1/2"
4	2900064	4	Hair Pin Cotter, 3/4"
5	2900295	2	Flat Washer, 1" SAE
6	3200067	1	Breather Vent, 1/4" NPT
7	3200057	1	Elbow, 1/4" M. Pipe to 1/4" M. JIC

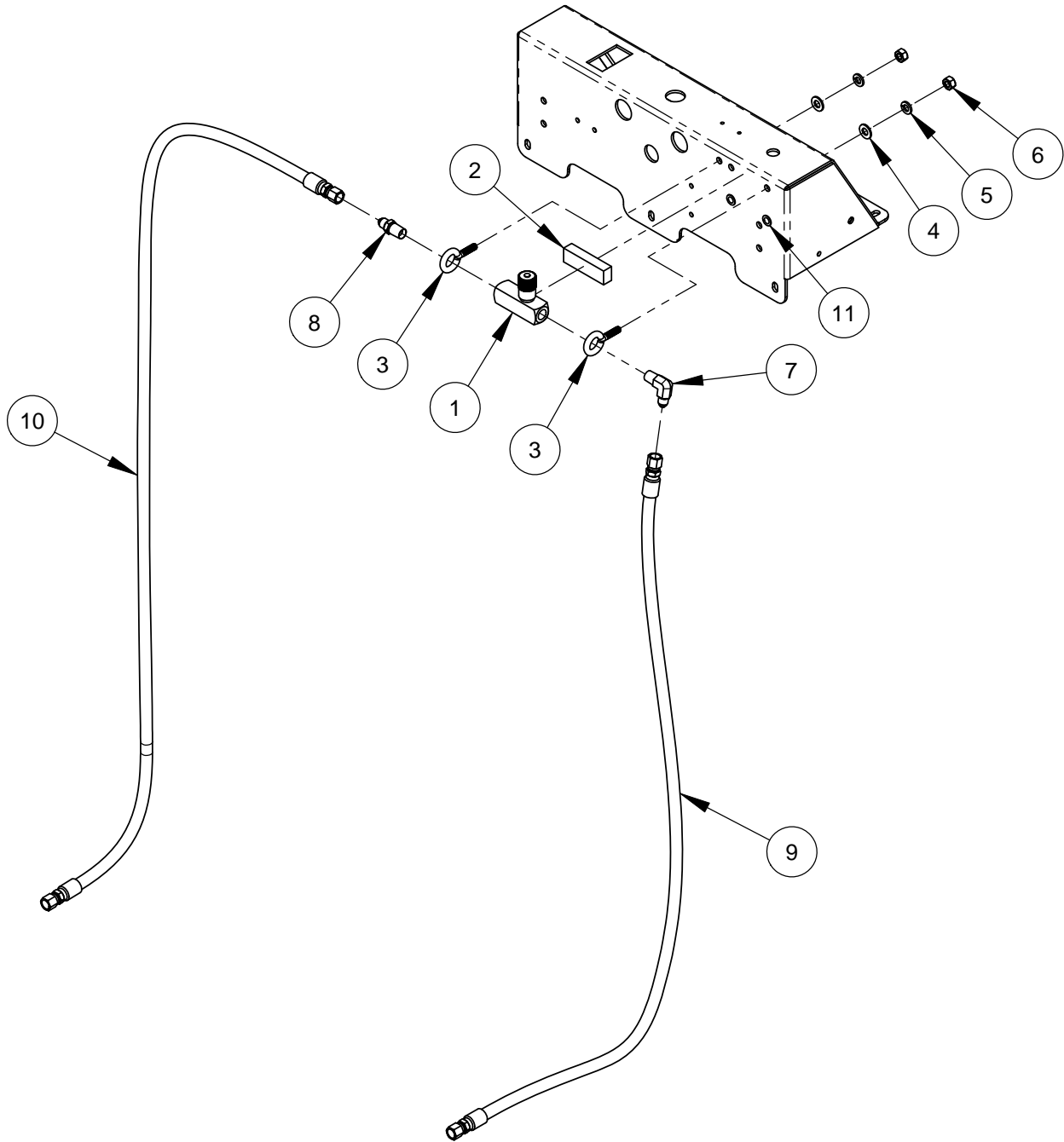
## Hydraulic Lift Pump Assembly #6017258



ITEM	PART NO.	QTY.	DESCRIPTION
1	2600070	1	Hydraulic Pump Unit
2	2700321	1	Breather Cap
3	3200120	1	Pipe Coupling, 3/8" NPT
4	3200123	1	Pipe Nipple, 3/8" NPT x 2"
5	3200551	1	Elbow, 3/8" O-Ring to 1/4" M. JIC
6	6017210	1	Pump Platform
7	2900235	2	Cap Screw, Flat Hd., 3/8-16 x 1"
8	6017229	1	Wheel Cover Spacer
9	2900217	2	Cap Screw, Hex Hd., 5/16-18 x 1-1/4"
10	2900022	2	Flat Washer, 5/16" SAE
11	2900039	2	Lock Nut, 5/16-18 Nylon

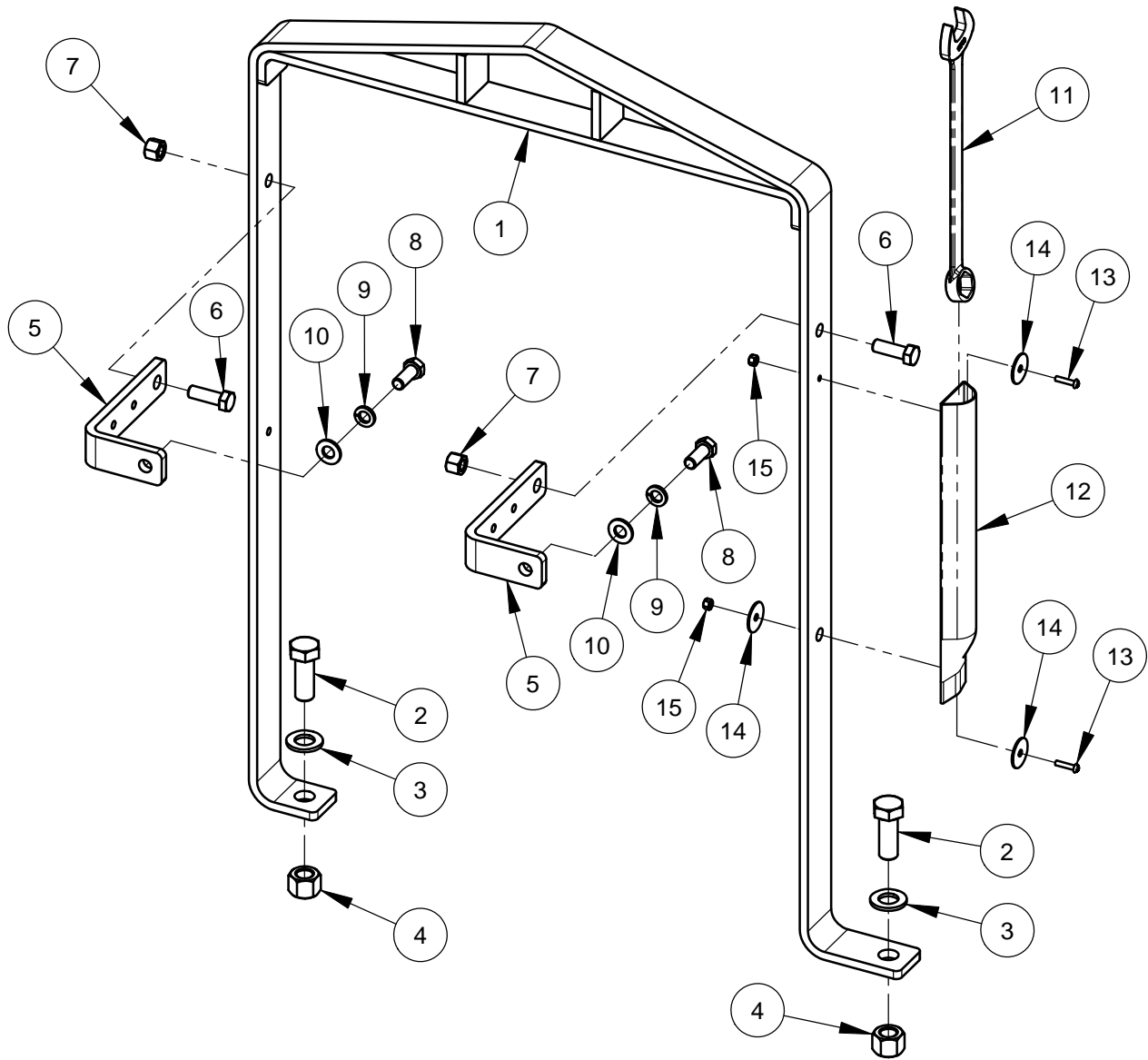


## Control Valve Assembly #6017257



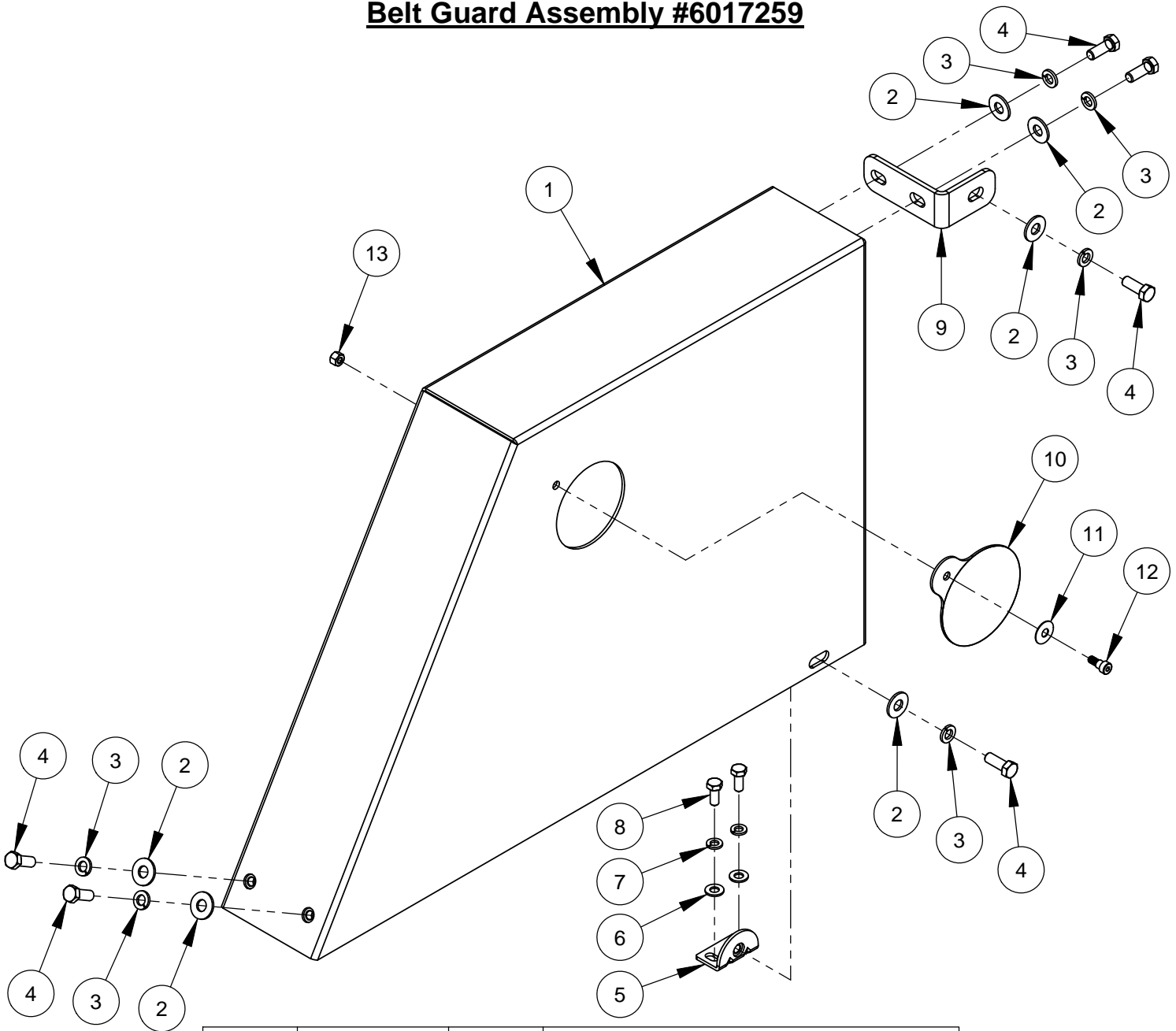
ITEM	PART NO.	QTY.	DESCRIPTION
1	3200056	1	Flow Control Valve, 1/4" NPT
2	6017142	1	Valve Spacer Block
3	2900720	2	Eyebolt, 5/16-18 x 1"
4	2900022	2	Flat Washer, 5/16" SAE
5	2900031	2	Lock Washer, 5/16" Split
6	2900141	2	Hex Nut, 5/16-18
7	3200057	1	Elbow, 1/4" M. Pipe to 1/4" M. JIC
8	3200418	1	Adapter, 1/4" M. Pipe to 1/4" M. JIC
9	6017324	1	Hose Assembly 1/4" x 38"
10	6017325	1	Hose Assembly 1/4" x 58"
11	2503749	2	Plug, 5/16" Hole

## Frame Lift Assembly #6017253



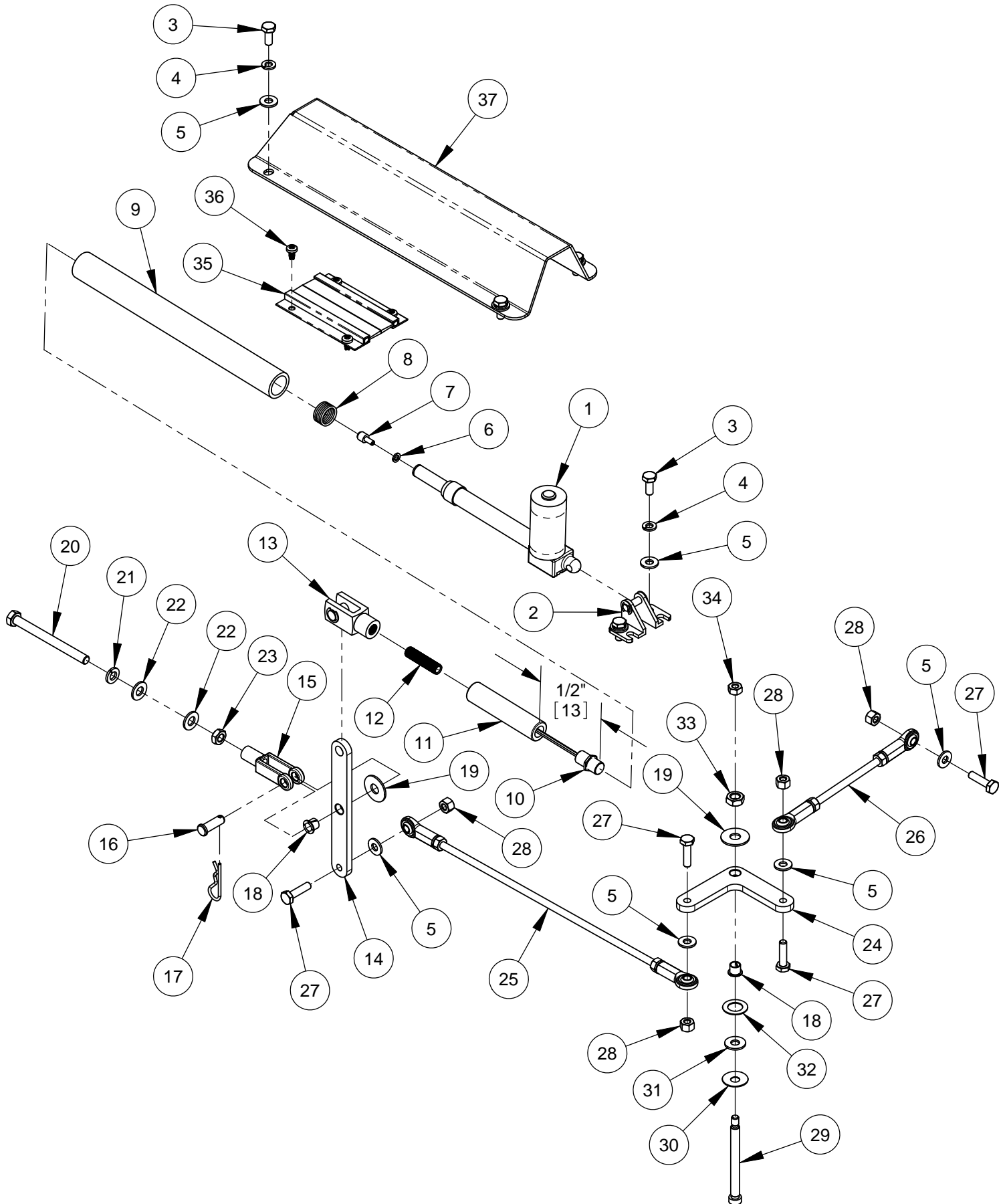
ITEM	PART NO.	QTY.	DESCRIPTION
1	6017316	1	Frame Lift
2	2900866	2	Cap Screw, Hex Hd., 3/4-10 x 2"
3	2900003	2	Flat Washer, 3/4" SAE
4	2900467	2	Lock Nut, 3/4-10 Nylon
5	6017219	2	Frame Lift Brace
6	2900499	2	Cap Screw, Hex Hd., 1/2-13 x 1-1/2"
7	2900026	2	Lock Nut, 1/2-13 Nylon
8	2900025	2	Cap Screw, Hex Hd., 1/2-13 x 1-1/4"
9	2900084	2	Lock Washer, 1/2" Split
10	2900058	2	Flat Washer, 1/2" SAE
11	2503704	1	Wrench, 15/16" Combination
12	6017268	1	Wrench Sock
13	2900165	2	Machine Screw, Rd. Hd., #10-24 x 7/8"
14	2900083	3	Fender Washer, 1/4" x 1-1/4"
15	2900017	2	Lock Nut, #10-24 Nylon

## Belt Guard Assembly #6017259



ITEM	PART NO.	QTY.	DESCRIPTION
1	6017215	1	Belt Guard
2	2900473	6	Flat Washer, 3/8" USS
3	2900006	6	Lock Washer, 3/8" Split
4	2900005	6	Cap Screw, Hex Hd., 3/8-16 x 1"
5	6010558	1	Guard Mounting Tab, 3/8-16
6	2900022	2	Flat Washer, 5/16" SAE
7	2900031	2	Lock Washer, 5/16" Split
8	2900019	2	Cap Screw, Hex Hd., 5/16-18 x 3/4"
9	6017216	1	Belt Guard Strap
10	6010768	1	Swing Cover Plate with Label
11	2900252	1	Belleville Washer, 5/16"
12	2900246	1	Shoulder Screw, 5/16" x 1/4" (1/4-20)
13	2900010	1	Lock Nut, 1/4-20 Nylon

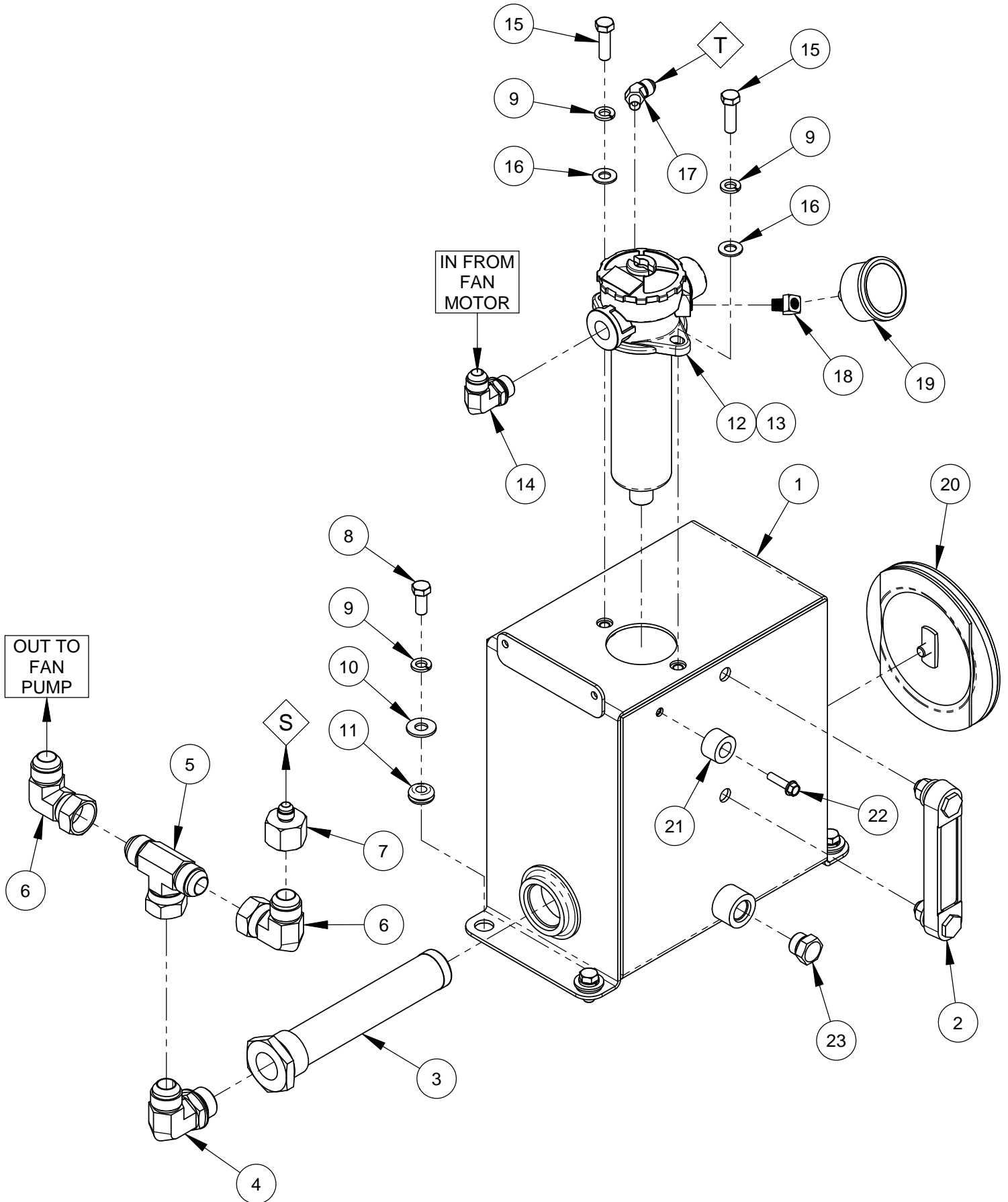
# Depth Stop Assembly #6017170B



## Depth Stop Assembly #6017170B

ITEM	PART NO.	QTY.	DESCRIPTION
1	2503726	1	Actuator
2	2503727	1	Pivot Bracket with Pin
3	2900023	6	Cap Screw, Hex Hd., 1/4-20 x 5/8"
4	2900024	6	Lock Washer, 1/4" Split
5	2900009	10	Flat Washer, 1/4" SAE
6	2900038	1	Lock Washer, #10 Split
7	2800638	1	Actuator Magnet
8	2503729	6	O-Ring #016
9	6017116	1	Guide Tube
10	2800637	1	Magnetic Proximity Sensor
11	6017117	1	Slide Shaft
12	6017118	1	Hollow Stud, 3/8-24 x 1-1/2"
13	2503728	1	Clevis, 3/8-24 Nylon
14	6017119	1	Linkage Arm
15	2900878	1	Yoke, 5/16-24
16	2900879	1	Clevis Pin, 5/16" Dia. x 15/16"
17	2900262	1	Hairpin Cotter
18	2503730	2	Flanged Bearing, 5/16" ID
19	2900153	2	Friction Washer, 3/8"
20	2900880	1	Cap Screw, Hex Hd., 5/16-24 x 3-1/2"
21	2900031	1	Lock Washer, 5/16" Split
22	2900022	2	Flat Washer, 5/16" SAE
23	2900049	1	Jam Nut, 5/16-24
24	6017120	1	Bell Crank
25	6017198	1	Linkage Assembly 13-3/4" Eye to Eye
26	6017335	1	Linkage Assembly 5-1/2" Eye to Eye
27	2900008	4	Cap Screw, Hex Hd., 1/4-20 x 1"
28	2900010	4	Lock Nut, 1/4-20 Nylon
29	2900902	1	Shoulder Screw, 5/16" x 3" (1/4-20)
30	2900252	1	Belleville Washer, 5/16"
31	2900126	1	Flat Washer, 1/4" USS
32	2900890	1	Friction Washer, 1/2" Nylatron
33	2900782	1	Jam Nut, 3/8-16
34	2900125	1	Hex Nut, 1/4-20
35	6017122	2	Strip Brush
36	2900021	4	Tap Screw, Pan Hd., #10-24 x 3/8"
37	6017232	1	Actuator Cover

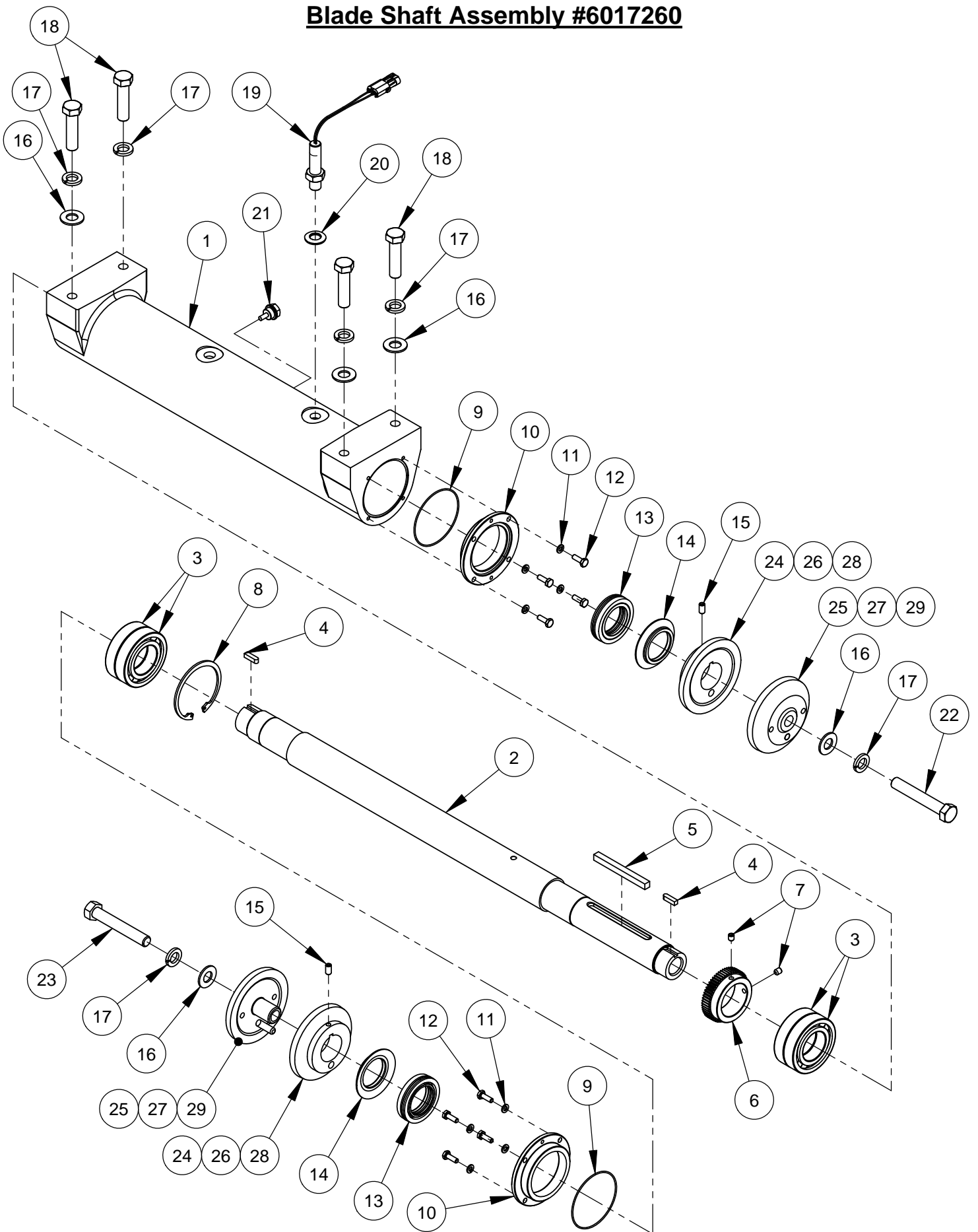
# Reservoir Assembly #6017261



## Reservoir Assembly #6017261

ITEM	PART NO.	QTY.	DESCRIPTION
1	6017208	1	Reservoir Tank
2	2500762	1	Level / Temperature Sight Gauge
3	3201993	1	Suction Strainer, 1-1/4" O-Ring
4	3200400	1	Elbow, 3/4" O-Ring to 3/4" Male JIC
5	3201983	1	Branch Tee, 3/4" M. JIC to 3/4" F. JIC
6	3200417	2	Elbow, 3/4" F. JIC to 3/4" M. JIC
7	3201984	1	Reducer, 3/4" F. JIC to 3/8" M. JIC
8	2900621	4	Cap Screw, Hex Hd., 3/8-16 x 7/8"
9	2900006	6	Lock Washer, 3/8" Split
10	2900473	4	Flat Washer, 3/8" USS
11	2503773	4	Grommet, 3/8" I.D.
12	3201990	1	Tank Top Filter Housing
13	3201991	1	Filter Element, Drop-in
14	3200285	1	Elbow, 1/2" O-Ring to 1/2" M. JIC
15	2900013	2	Cap Screw, Hex Hd., 3/8-16 x 1-1/4"
16	2900014	2	Flat Washer, 3/8" SAE
17	3201985	1	Elbow, 1/8" M. Pipe to 3/8" M. JIC (45 deg)
18	3200099	1	Street Elbow, 1/8" NPT x 45 Deg.
19	3201995	1	Gauge, Filter
20	3201994	1	Clean-out Cover 6"
21	2503699	1	Bumper, 1" Dia. x 5/8" Thick
22	2900180	1	Cap Screw, Hex Flange Hd., 1/4-20 x 1"
23	3201434	1	Plug, 1/2" SAE O-Ring Hex

# Blade Shaft Assembly #6017260





## Blade Shaft Assembly #6017260

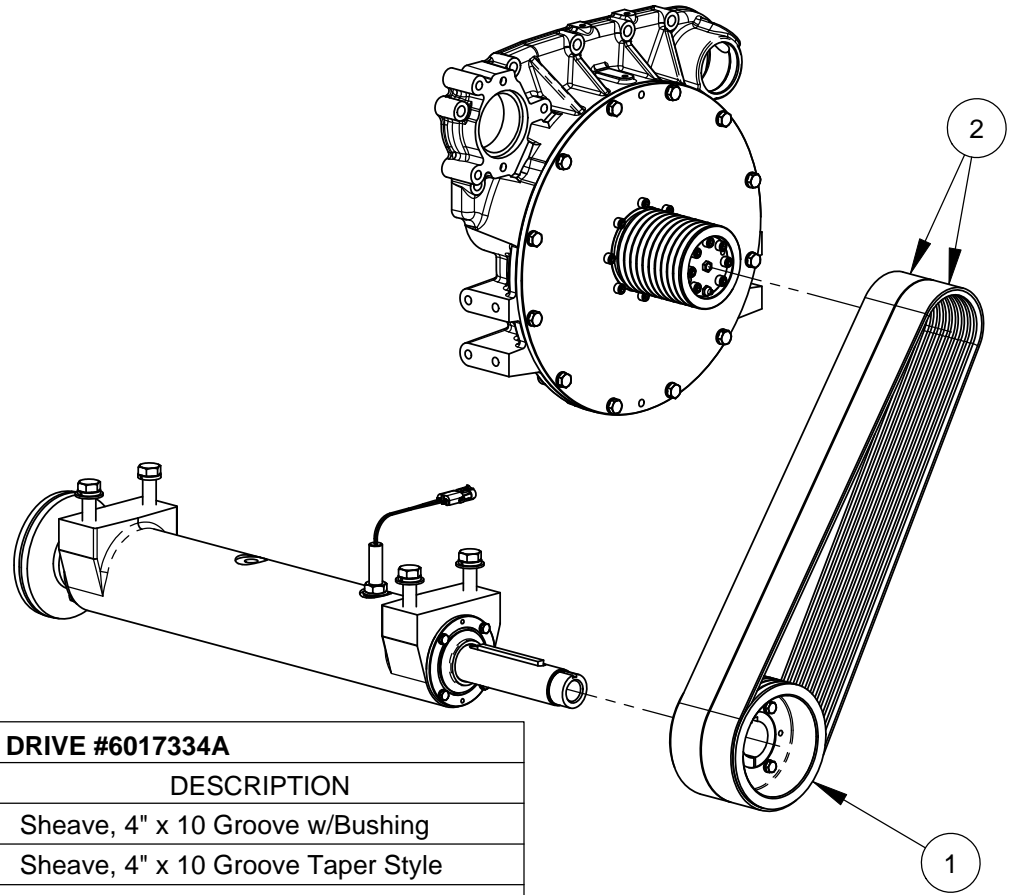
**#6017260A for 14" - 26" Blades**

**#6017260B for 30" - 36" Blades**

**#6017260C for 42" Blades**

ITEM	PART NO.	6017260A/ QTY.	6017260B/ QTY.	6017260C/ QTY.	DESCRIPTION
1	6010796	1	1	1	Blade Shaft Housing
2	6010797	1	1	1	Blade Shaft
3	2502197	4	4	4	Ball Bearing, 45mm x 85mm x 19mm
4	6010040	2	2	2	Key, 1/4" Sq. x 15/16"
5	4645006	1	1	1	Key, 3/8" Sq. x 4"
6	6010798	1	1	1	Shaft Tach Gear, 60 Tooth
7	2900142	2	2	2	Set Screw, Soc. Hd., 5/16-18 x 3/8"
8	2502199	1	1	1	Retaining Ring, 85mm Internal
9	2703093	2	2	2	O-Ring #042
10	6010799	2	2	2	Isolater Seal Housing
11	2900024	8	8	8	Lock Washer, 1/4" Split
12	2900144	8	8	8	Cap Screw, Hex Hd., 1/4-20 x 3/4"
13	2502044	2	2	2	Bearing Isolator Seal
14	2502198	2	2	2	Excluder Seal, 1-3/4"
15	2900418	2	2	2	Set Screw, Soc. Hd., 5/16-18 x 5/8"
16	2900002	5	5	5	Flat Washer, 5/8" SAE
17	2900113	6	6	6	Lock Washer, 5/8" Split
18	2900527	4	4	4	Cap Screw, Hex Hd., 5/8-11 x 2-1/2"
19	2800878	1	1	1	Magnetic Sensor w/Nut & Connector
20	2900805	1	1	1	Sealing Washer, 5/8"
21	2502037	1	1	1	Magnetic Oil Drain Plug
22	2900146	1	1	1	Cap Screw, Hex Hd., 5/8-11 x 4"
23	2900130	1	1	1	Cap Screw, Hex Hd., 5/8-11 x 4" LH
24	6010036	2	-	-	Inner Flange 4-1/2"
25	6010037	2	-	-	Outer Flange 4-1/2" with Pin
26	6010038	-	2	-	Inner Flange 6"
27	6010039	-	2	-	Outer Flange 6" with Pin
28	6017230	-	-	2	Inner Flange 7"
29	6017231	-	-	2	Outer Flange 7" with Pin

## Belt Drive Assembly #6017334



### 14" BLADE DRIVE #6017334A

ITEM	PART NO.	QTY.	DESCRIPTION
1	6010658	1	Sheave, 4" x 10 Groove w/Bushing
	2501380	1	Sheave, 4" x 10 Groove Taper Style
	2501410	1	Taper Bushing, 1-3/4" w/Setscrews
2	2502041	1	Belt Set, 5/3VX530 - 5 Strand

### 20" & 26" BLADE DRIVE #6017334B

ITEM	PART NO.	QTY.	DESCRIPTION
1	6010545	1	Sheave, 4.5" x 10 Groove w/Bushing
	2501381	1	Sheave, 4.5" x 10 Groove Taper Style
	2501410	1	Taper Bushing, 1-3/4" w/Setscrews
2	2502041	1	Belt Set, 5/3VX530 - 5 Strand

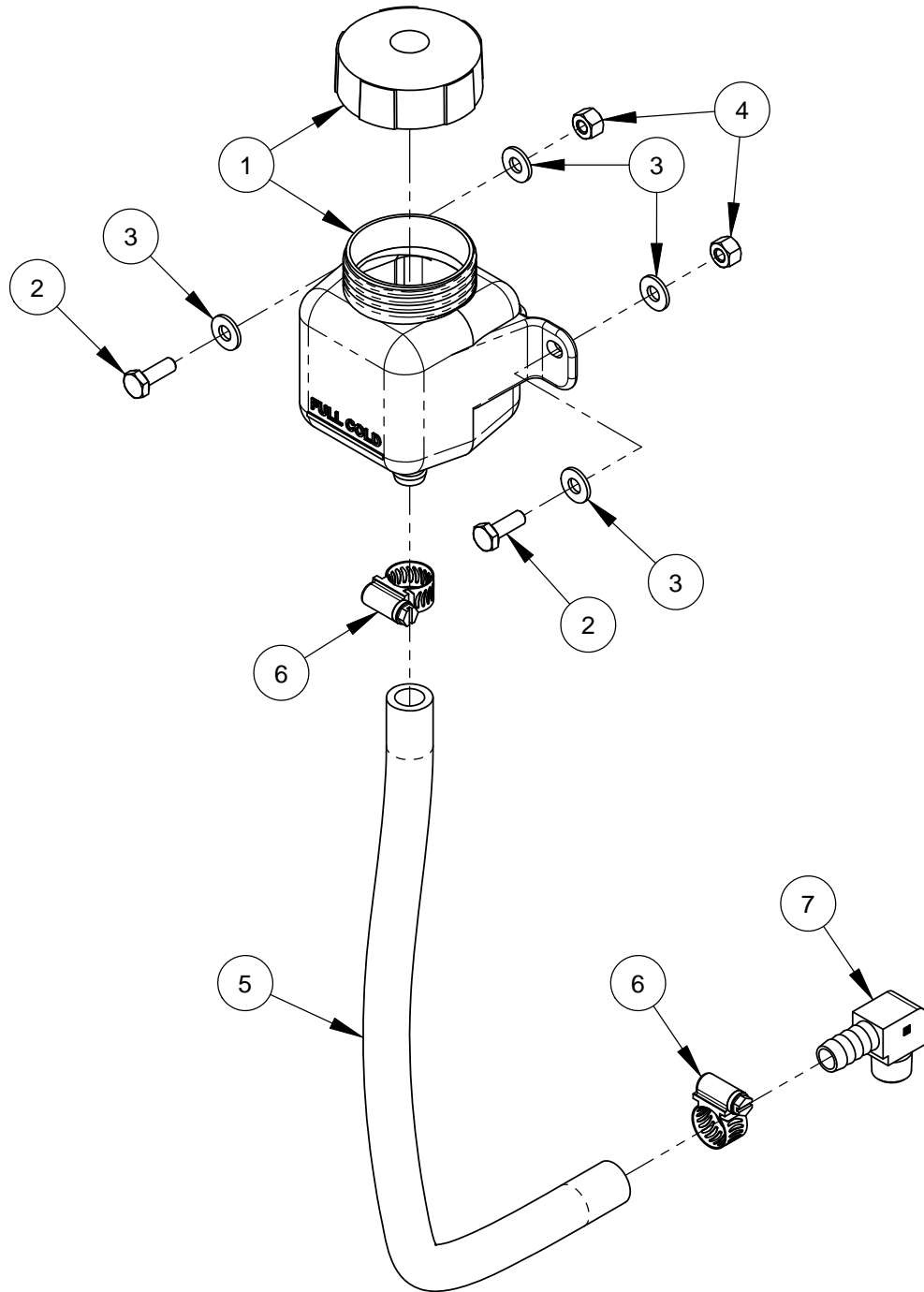
### 30" & 36" BLADE DRIVE #6017334C

ITEM	PART NO.	QTY.	DESCRIPTION
1	6013046	1	Sheave, 6" x 10 Groove w/Bushing
	2500439	1	Sheave, 6" x 10 Groove QD Style
	2500176	1	QD Bushing, SK x 1-3/4" w/Fasteners
2	2502042	1	Belt Set, 5/3VX560 - 5 Strand

### 42" BLADE DRIVE #6017334D

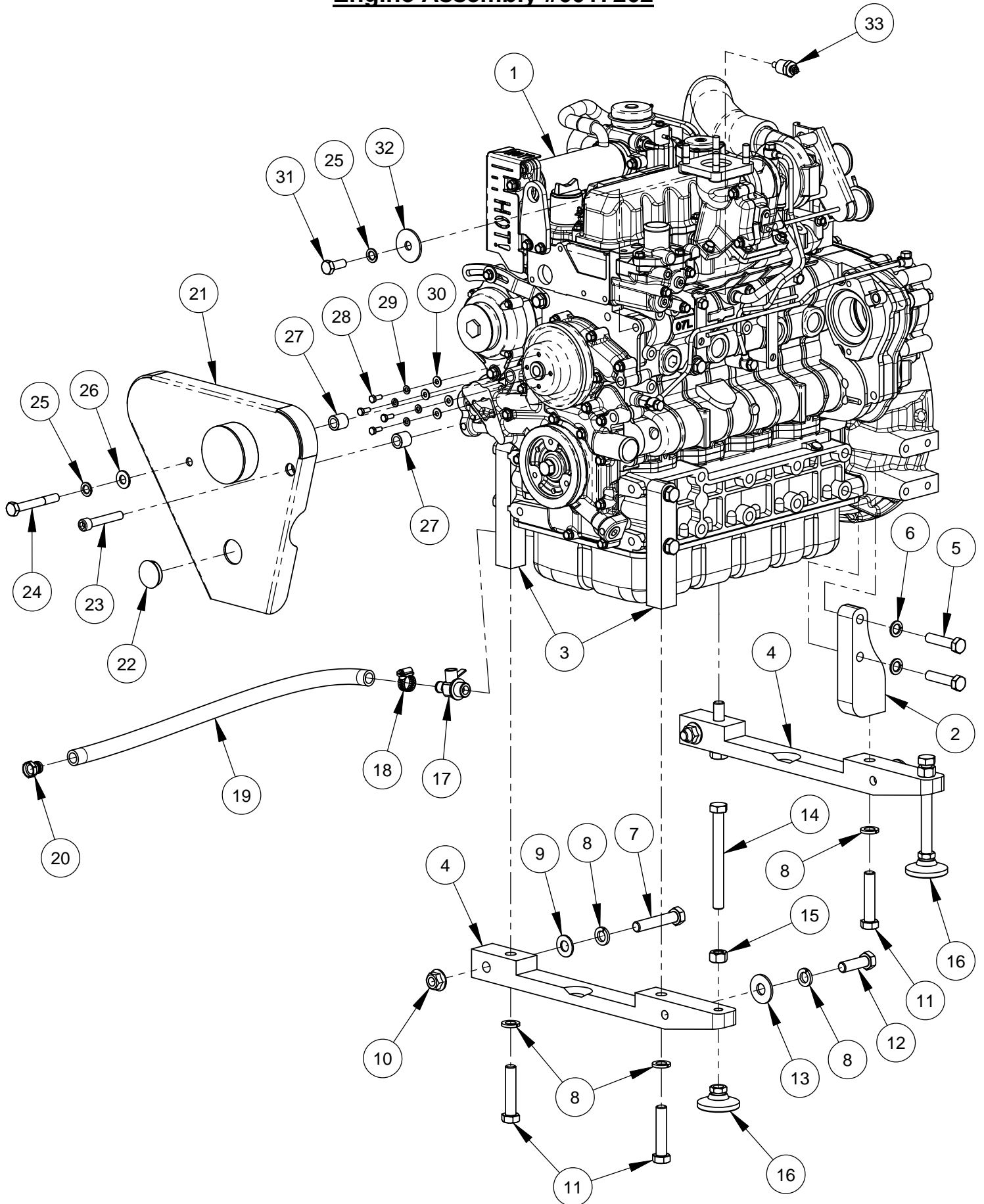
ITEM	PART NO.	QTY.	DESCRIPTION
1	6013047	1	Sheave, 6.9" x 10 Groove w/Bushing
	2500509	1	Sheave, 6.9" x 10 Groove QD Style
	2500176	1	QD Bushing, SK x 1-3/4" w/Fasteners
2	2503849	10	V-Belt, 3VX570

## Expansion Tank Assembly #6017333



ITEM	PART NO.	QTY.	DESCRIPTION
1	2502039	1	Expansion Tank & Cap
2	2900144	2	Cap Screw, Hex Hd., 1/4-20 x 3/4"
3	2900009	4	Flat Washer, 1/4" SAE
4	2900010	2	Lock Nut, 1/4-20 Nylon
5	6017347	1	Hose, 1/2" I.D. x 16"
6	3200016	2	Hose Clamp #8
7	3201982	1	Elbow, 3/8" M. Pipe to 1/2" Hose Barb

# Engine Assembly #6017262

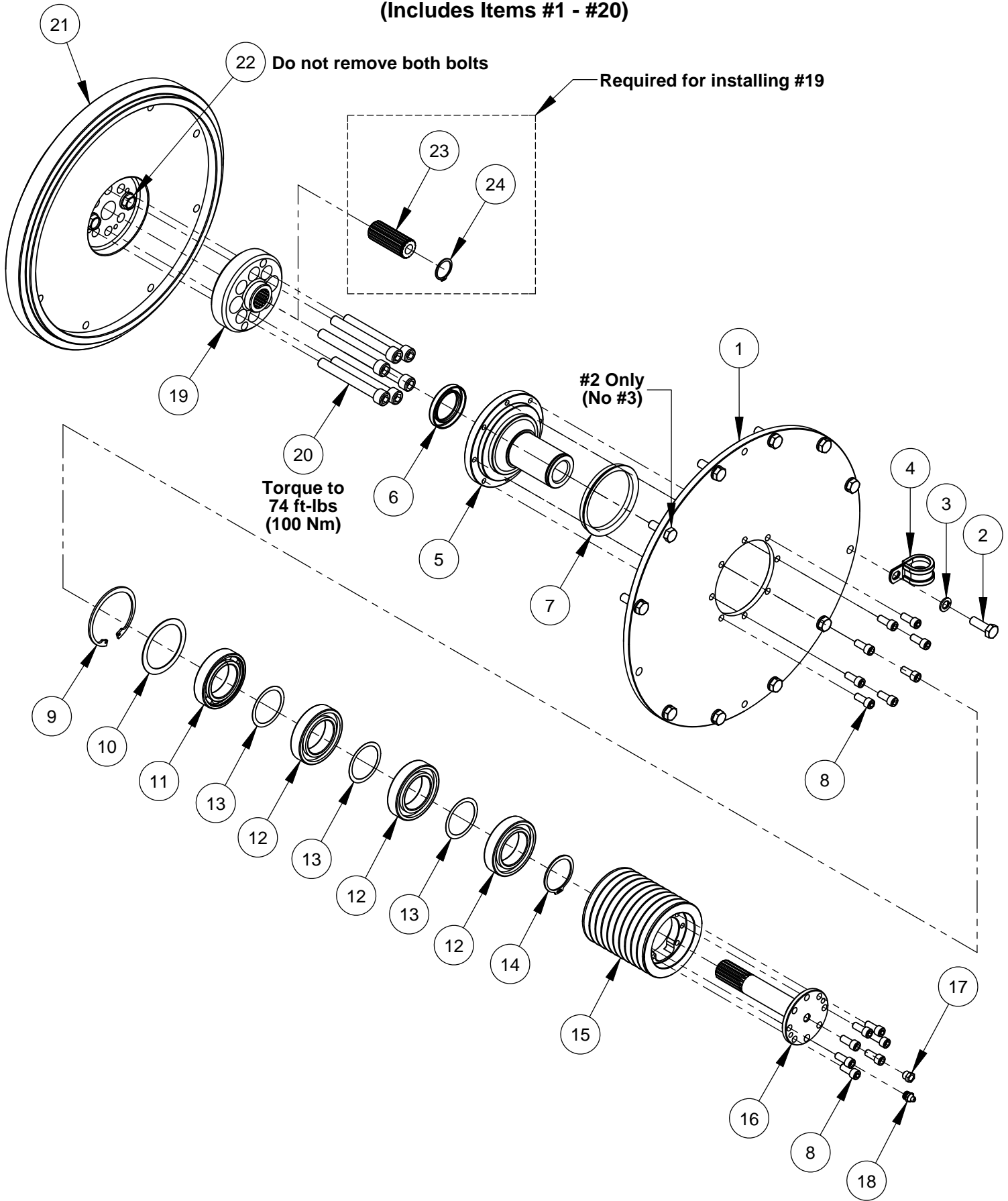


## Engine Assembly #6017262

ITEM	PART NO.	QTY.	DESCRIPTION
1	2600546	1	Engine, Kubota Model V3307
2	6017203	2	Engine Foot (Offset)
3	6017204	2	Engine Foot (Straight)
4	6017205	2	Engine Support Leg
5	2900884	8	Cap Screw, Hex Hd., M14-1.5 x 60mm
6	2900875	8	Lock Washer, M14 Split
7	2900137	2	Cap Screw, Hex Hd., 5/8-11 x 3-1/4"
8	2900113	8	Lock Washer, 5/8" Split
9	2900002	2	Flat Washer, 5/8" SAE
10	2900491	2	Lock Nut, 5/8-11 Flanged
11	2900195	4	Cap Screw, Hex Hd., 5/8-11 x 3"
12	2900136	2	Cap Screw, Hex Hd., 5/8-11 x 2"
13	2900721	2	Flat Washer, 5/8" USS Hardened
14	2900907	2	Tap Bolt, Hex Hd., 5/8-11 x 6"
15	2900112	2	Hex Nut, 5/8-11
16	2900900	2	Swivel Pad, 5/8-11
17	3200813	1	Oil Drain Valve, M22x1.5
18	3200016	1	Hose Clamp #8
19	6017346	1	Oil Drain Hose, 5/8" I.D. x 20"
20	3201728	1	Hose Plug
21	6017209	1	Belt Guard
22	2500554	1	Plug, 1-1/2" Hole
23	2900751	1	Cap Screw, Soc. Hd., M12-1.25 x 70mm
24	2900881	1	Cap Screw, Hex Hd., M12-1.25 x 90mm
25	2900699	2	Lock Washer, M12 Split
26	2900058	1	Flat Washer, 1/2" SAE
27	6017134	2	Spacer, 21mm long
28	2900341	4	Cap Screw, Hex Hd., M6 x 16mm
29	2900024	4	Lock Washer, 1/4" Split
30	2900009	4	Flat Washer, 1/4" SAE
31	2900746	1	Cap Screw, Hex Hd., M12-1.25 x 30mm
32	2900854	1	Fender Washer, 1/2" x 2"
33	2800624	1	Water Temperature Sender

# PTO Assembly #6017220

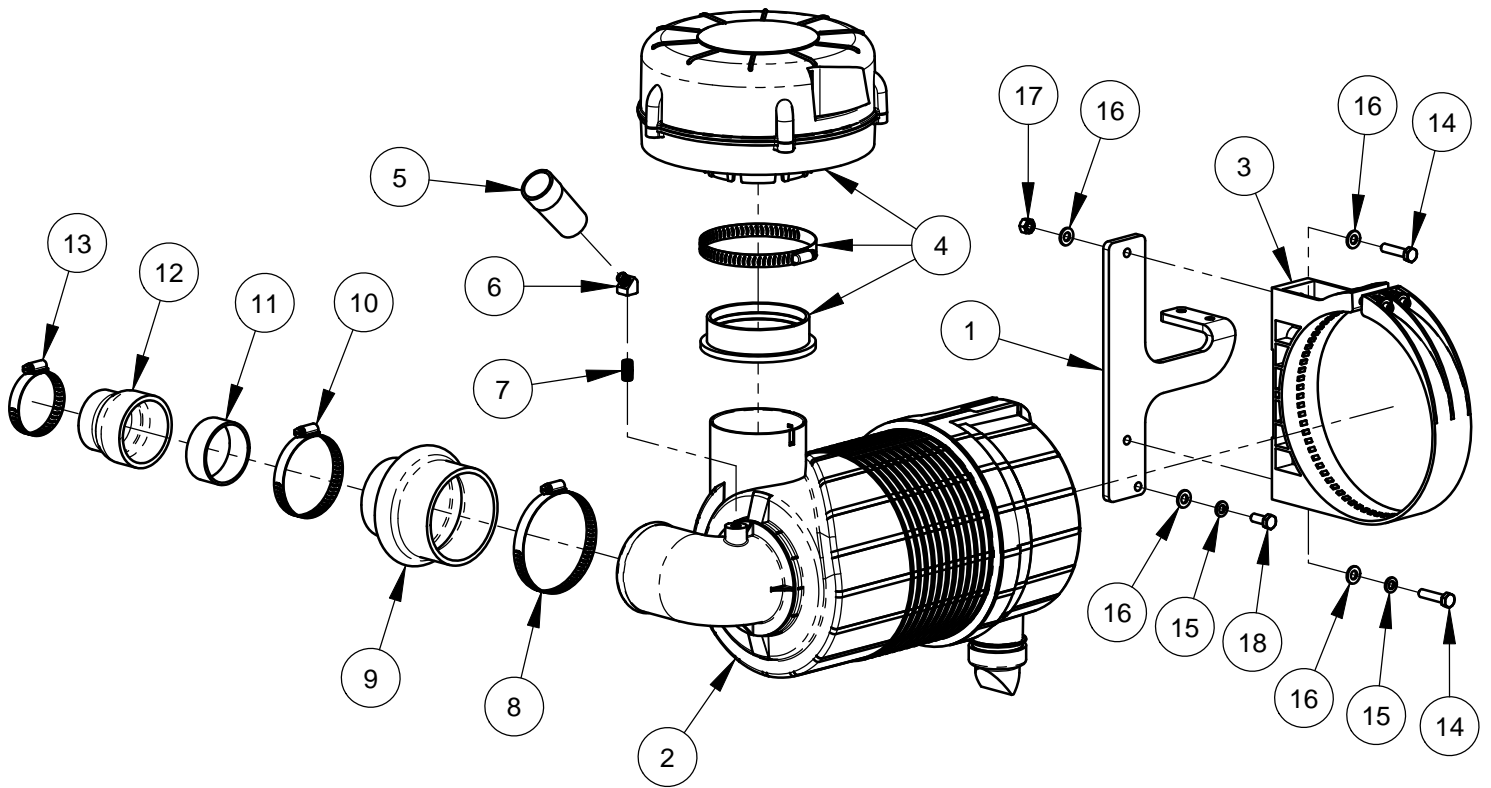
(Includes Items #1 - #20)



**PTO Assembly #6017220**  
**(Includes Items #1 - #20)**

ITEM	PART NO.	QTY.	DESCRIPTION
1	6017221	1	Inner Ring Support
2	2900870	11	Cap Screw, Hex Hd., M10-1.25 x 30mm
3	2900321	10	Lock Washer, M10 Split
4	3201729	1	Hose Clamp, 1" x 3/4" Wide
5	6017222	1	Shaft Support Sleeve
6	2501643	1	Seal, 1-1/2" x 2-1/4" x 5/16"
7	2503756	1	Seal, 80mm V-Ring
8	2900912	15	Cap Screw, Soc. Hd., 5/16-18 x 3/4"
9	2503757	1	Retaining Ring, 75mm Internal
10	2503762	1	Shim, 60mm x 75mm x 1mm
11	2503759	1	Ball Bearing, 45 x 75 x 16 w/seal
12	2503760	3	Ball Bearing, 45 x 75 x 16 open
13	2503761	3	Shim, 45mm x 55mm x 0.2mm
14	2503758	1	Retaining Ring, 45mm External
15	6017223	1	Sheave, 4" x 10 Groove
16	6017224	1	Splined Drive Shaft
17	3201998	1	Breather Vent, 1/8" NPT
18	2900062	1	Grease Fitting, 1/8" NPT
19	6017225	1	Coupling Hub
20	2900882	6	Cap Screw, Soc. Hd., M12-1.25 x 100mm
21	2703203	1	Flywheel, Kubota Engine
22	2703204	2	Bolt, Hex Washer Hd., M12-1.25 x 90mm
23	6017226	1	Splined Centering Pin
24	3200072	1	Retaining Ring, 25mm External

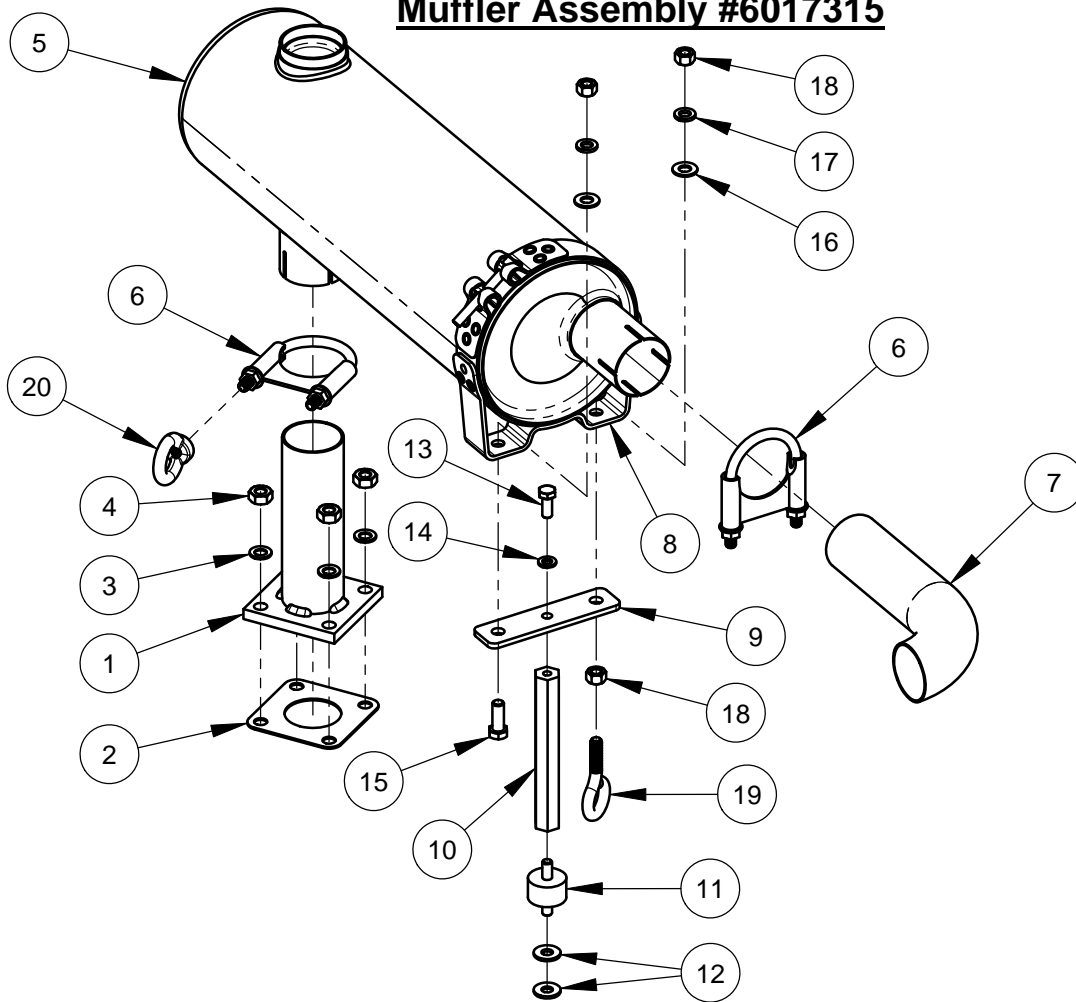
## Air Intake Assembly #6017174



ITEM	PART NO.	QTY	DESCRIPTION
1	6017115	1	Filter Mount Bracket
2	2502182	1	Air Cleaner Complete
	2501352	1	Outer Primary Filter
	2501353	1	Inner Safety Filter
	2500239	1	Rubber Dust Ejector Boot
3	2501351	1	Mounting Band, Polymer
4	2501504	1	Pre-Cleaner w/Clamp & Adapter Ring
5	2500423	1	Restriction Indicator
6	3200099	1	Street Elbow, 1/8" NPT x 45 Deg.
7	3200117	1	Close Nipple, 1/8" NPT
8	3200198	1	Hose Clamp #64
9	2503722	1	Hose Reducer, 3-1/2" to 2-3/4" I.D.
10	3200197	1	Hose Clamp #52
11	6017145	1	Connector Tube, 2-1/2" O.D.
12	2500229	1	Hose Reducer, 2-1/2" to 2" I.D.
13	3200095	1	Hose Clamp #32
14	2900760	2	Cap Screw, Hex Hd., M8 x 35mm
15	2900031	2	Lock Washer, 5/16" Split
16	2900022	4	Flat Washer, 5/16" SAE
17	2900303	1	Lock Nut, M8 Nylon
18	2900329	1	Capscrew, Hex Hd., M8 x 20mm

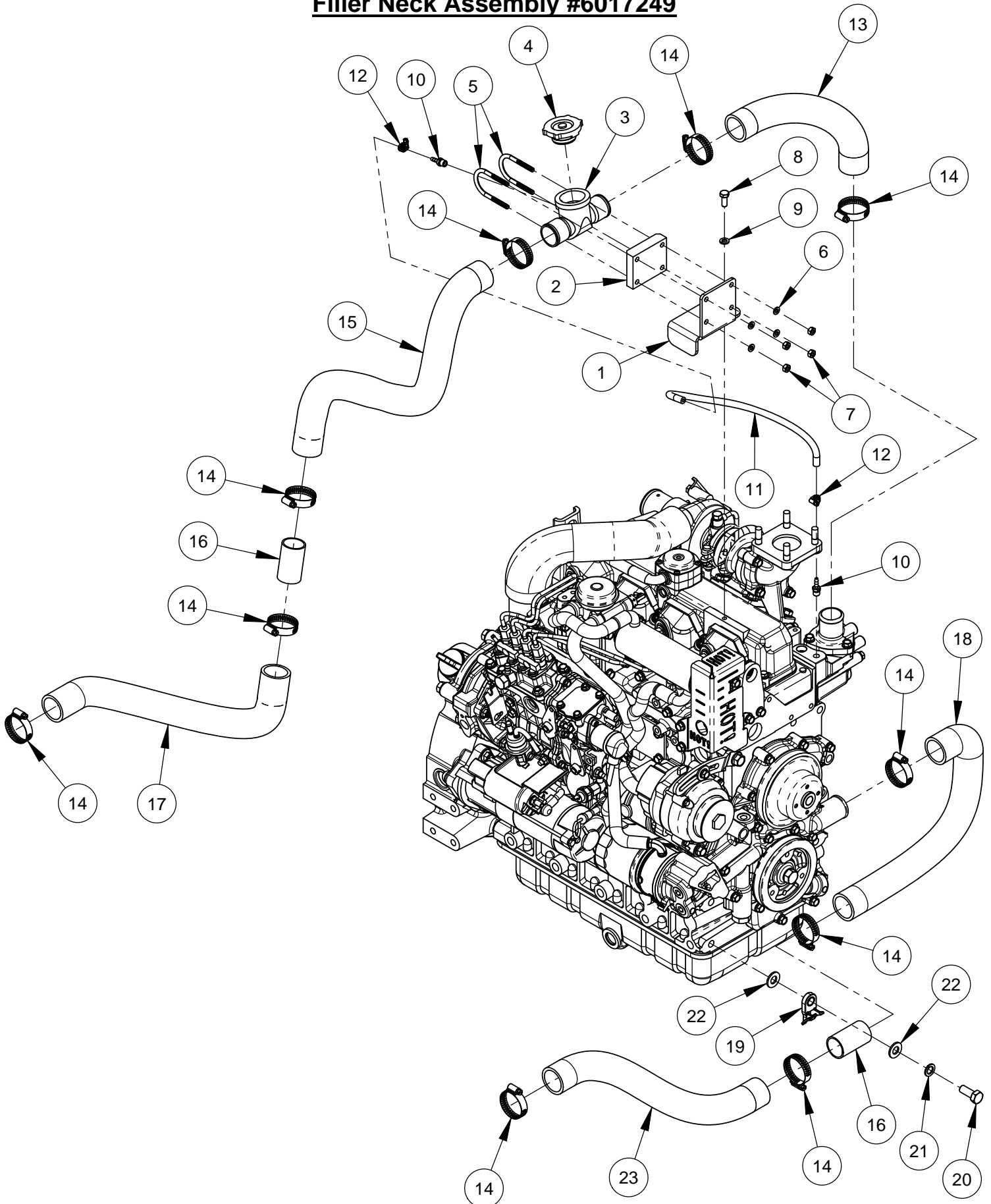


## Muffler Assembly #6017315



ITEM	PART NO.	QTY	DESCRIPTION
1	2503738	1	Exhaust Flange & Pipe
2	2503739	1	Exhaust Flange Gasket
3	2900321	4	Lock Washer, M10 Split
4	2907002	4	Hex Nut, M10-1.25
5	2503776	1	Muffler
6	2700748	2	Muffler Clamp 2"
7	2503737	1	Tail Pipe, 2" O.D. x 9"
8	2503777	1	Muffler Body Band Clamp
9	6017281	1	Muffler Support Bar
10	6017282	1	Muffler Support Post
11	2503787	1	Vibration Isolator M8
12	2900567	2	Flat Washer, 5/16" USS
13	2900329	1	Capscrew, Hex Hd., M8 x 20mm
14	2900031	1	Lock Washer, 5/16" Split
15	2900005	1	Cap Screw, Hex Hd., 3/8-16 x 1"
16	2900014	2	Flat Washer, 3/8" SAE
17	2900006	2	Lock Washer, 3/8" Split
18	2900033	3	Hex Nut, 3/8-16
19	2900892	1	Eyebolt, 3/8-16 x 1-1/2"
20	2900885	1	Eye Nut, 3/8-16

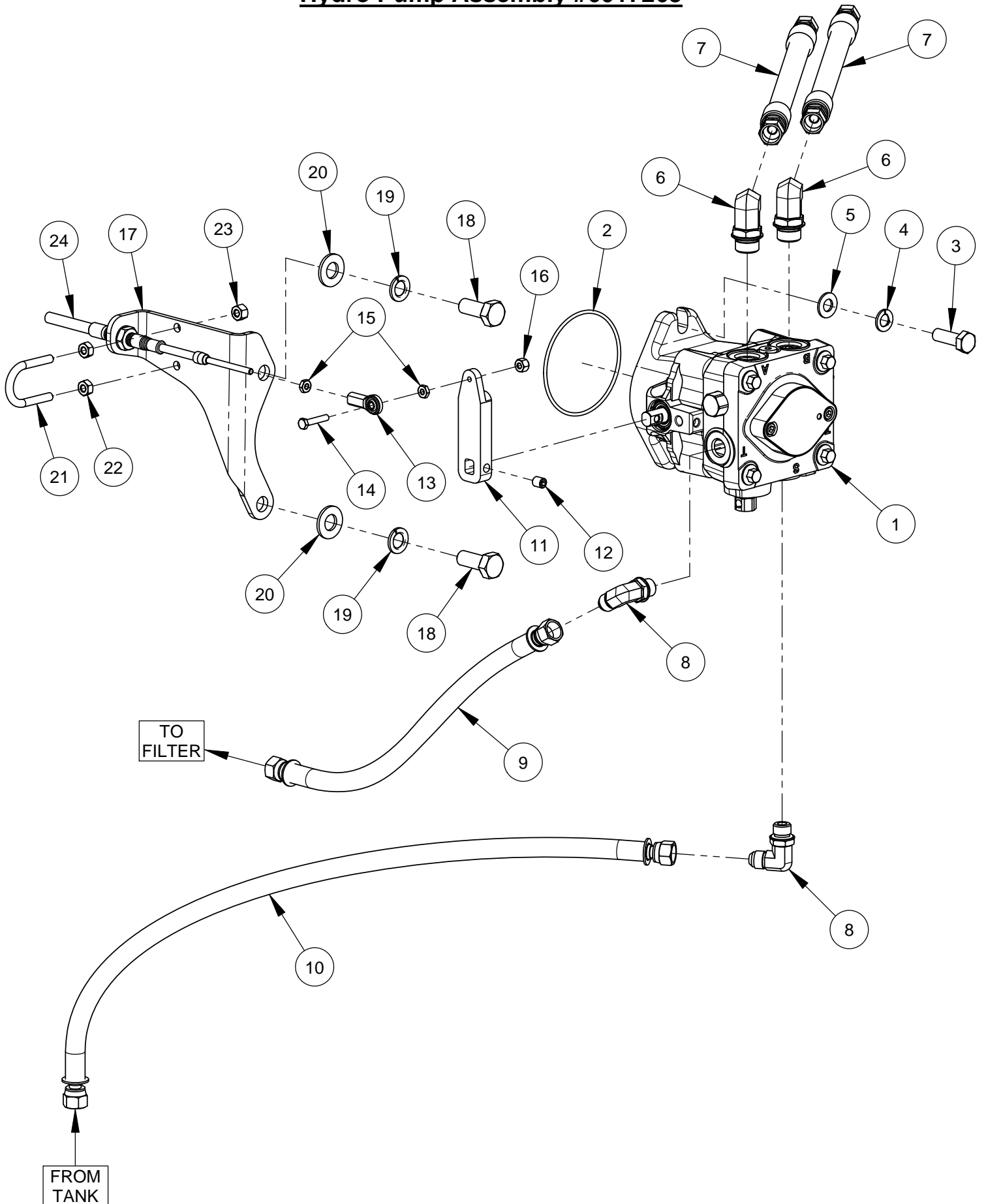
# Filler Neck Assembly #6017249



## Filler Neck Assembly #6017249

ITEM	PART NO.	QTY.	DESCRIPTION
1	6017228	1	Filler Neck Bracket
2	6017140	1	Filler Neck Spacer
3	6017283	1	Radiator In-Line Filler Neck
4	2502381	1	Radiator Cap
5	2900379	2	U-Bolt, 1" Pipe
6	2900024	4	Lock Washer, 1/4" Split
7	2900125	4	Hex Nut, 1/4-20
8	2900329	1	Capscrew, Hex Hd., M8 x 20mm
9	2900031	1	Lock Washer, 5/16" Split
10	3200187	2	Fitting, 1/8" M. Pipe to 3/16" Hose Barb
11	6017313	1	Hose, 3/16" I.D. x 14"
12	3200062	2	Hose Clamp #4
13	3201976	1	Coolant Hose, 1-1/2"
14	3202142	10	Hose Clamp #24
15	3201975	1	Coolant Hose, 1-1/2"
16	6017314	2	Connector Tube, 1-1/2" O.D.
17	3201974	1	Coolant Hose, 1-1/2"
18	3202001	1	Coolant Hose, 1-1/2"
19	2503697	1	Hose Mount Support
20	2900746	1	Cap Screw, Hex Hd., M12-1.25 x 30mm
21	2900699	1	Lock Washer, M12 Split
22	2900058	2	Flat Washer, 1/2" SAE
23	3201973	1	Coolant Hose, 1-1/2"

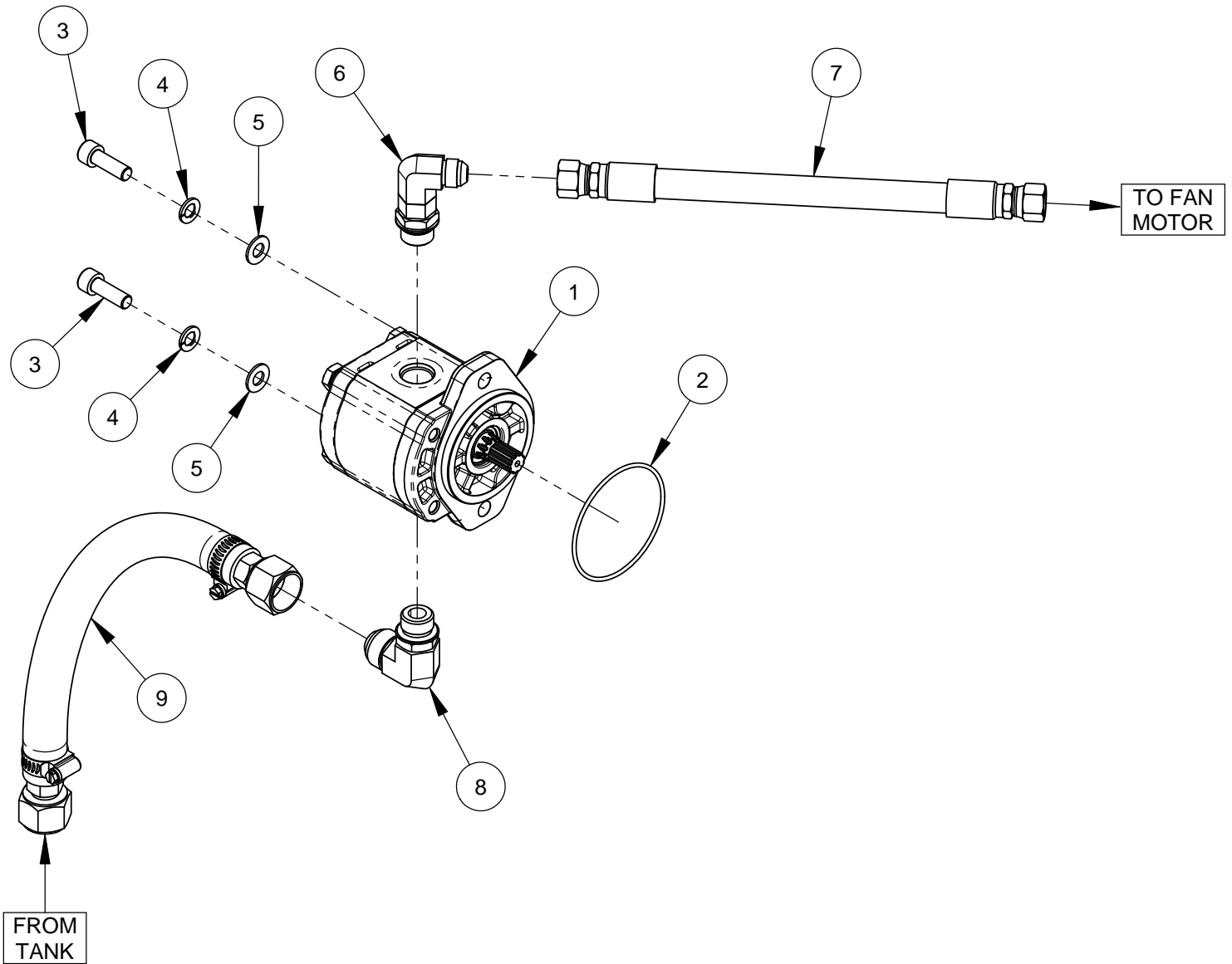
# Hydro Pump Assembly #6017263



## Hydro Pump Assembly #6017263

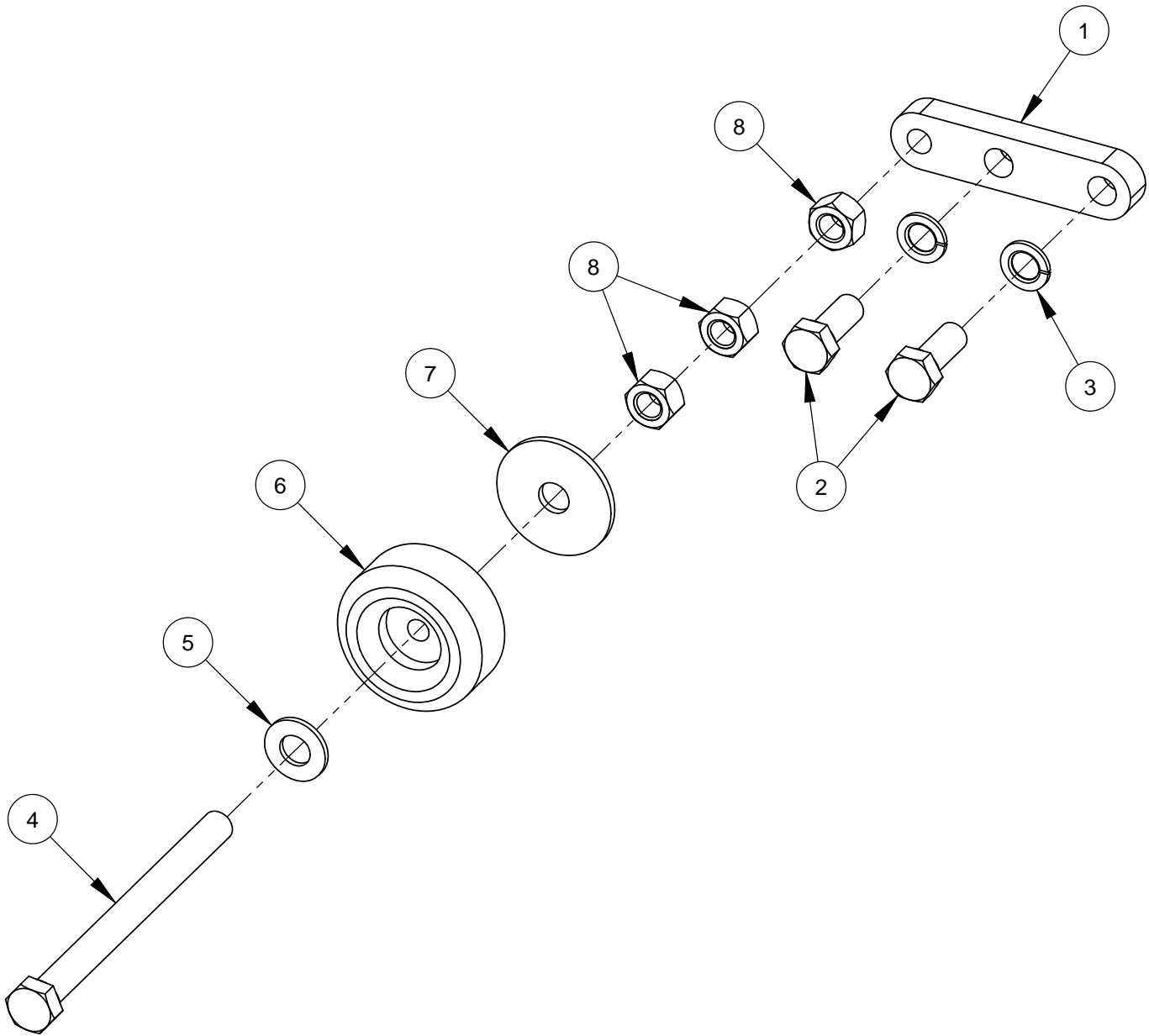
ITEM	PART NO.	QTY.	DESCRIPTION
1	2600550	1	Hydro Pump
2	2400628	1	O-Ring #152
3	2900870	2	Cap Screw, Hex Hd., M10-1.25 x 30mm
4	2900321	2	Lock Washer, M10 Split
5	2900014	2	Flat Washer, 3/8" SAE
6	3201725	2	Elbow, 1/2" O-Ring to 3/8" M. JIC
7	6017326	2	Hose Assembly 3/8" x 42"
8	3200271	2	Elbow, 3/8" O-Ring to 3/8" M. JIC
9	6017342	1	Hose Assembly 3/8" x 16"
10	6017343	1	Hose Assembly 3/8" x 27"
11	6017137	1	Control Arm
12	2900429	1	Set Screw, Soc. Hd., 5/16-24 x 1/2"
13	2500791	1	Rod End, #10-32 Female
14	2900687	1	Machine Screw, Hex Hd., #10-32 x 1"
15	2900188	2	Hex Nut, #10-32
16	2900688	1	Lock Nut, #10-32 Nylon
17	6017217	1	Control Cable Bracket
18	2900746	2	Cap Screw, Hex Hd., M12-1.25 x 30mm
19	2900699	2	Lock Washer, M12 Split
20	2900058	2	Flat Washer, 1/2" SAE
21	2900241	1	U-Bolt, 1/2" Pipe
22	2900125	2	Hex Nut, 1/4-20
23	2900010	2	Lock Nut, 1/4-20 Nylon
24	2503771	1	Control Cable 66"

## Fan Pump Assembly #6017264



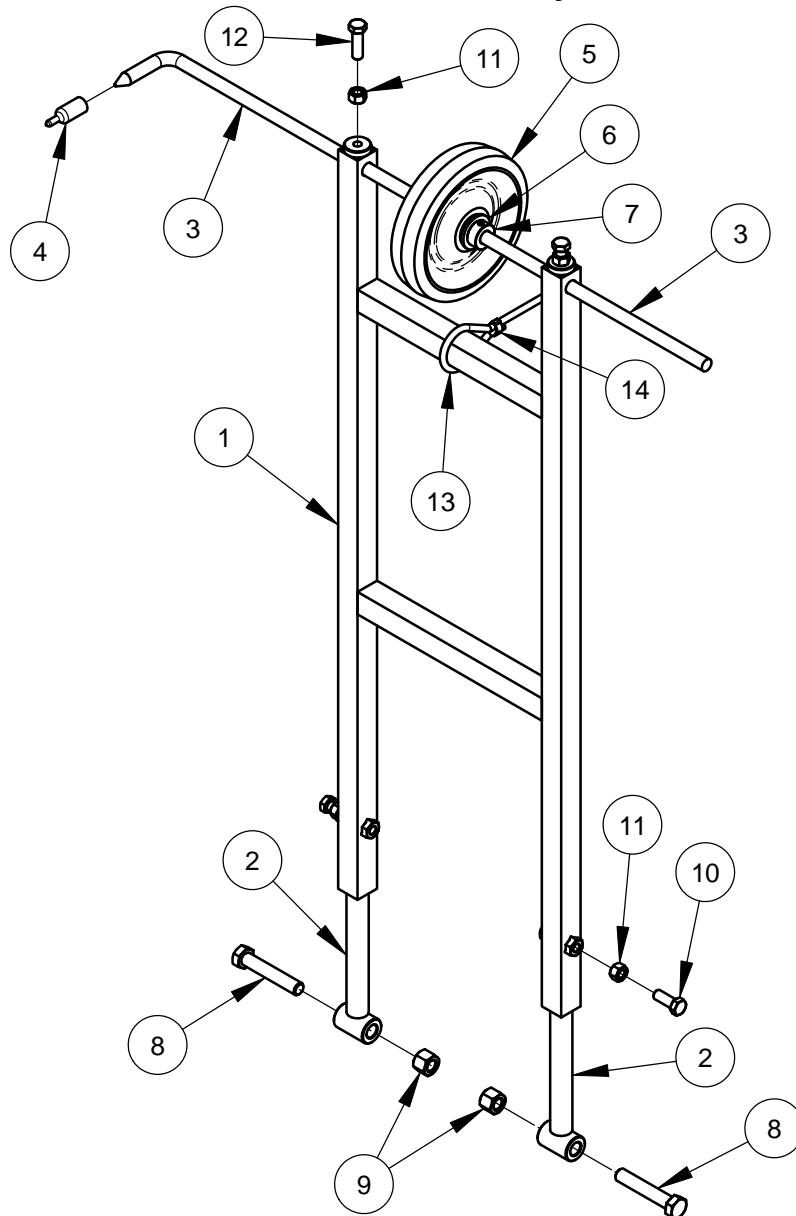
ITEM	PART NO.	QTY.	DESCRIPTION
1	2600551	1	Casappa Gear Pump
2	2400628	1	O-Ring #152
3	2900778	2	Cap Screw, Soc. Hd., M10-1.25 x 30mm
4	2900321	2	Lock Washer, M10 Split
5	2900014	2	Flat Washer, 3/8" SAE
6	3201987	1	Elbow, 5/8" O-Ring to 1/2" M. JIC (Long)
7	6017327	1	Hose Assembly 1/2" x 37"
8	3201988	1	Elbow, 5/8" O-Ring to 3/4" M. JIC
9	6017344	1	Hose Assembly 3/4" x 18"

## Pointer Stop Assembly #6017331



ITEM	PART NO.	QTY.	DESCRIPTION
1	6017340	1	Stop Bar
2	2900746	2	Cap Screw, Hex Hd., M12-1.25 x 30mm
3	2900699	2	Lock Washer, M12 Split
4	2900695	1	Tap Bolt, Hex Hd., 1/2-13 x 6"
5	2900058	1	Flat Washer, 1/2" SAE
6	2501767	1	Rubber Bumper
7	2900854	1	Fender Washer, 1/2" x 2"
8	2900037	3	Hex Nut, 1/2-13

## Front Pointer Assembly #6010540

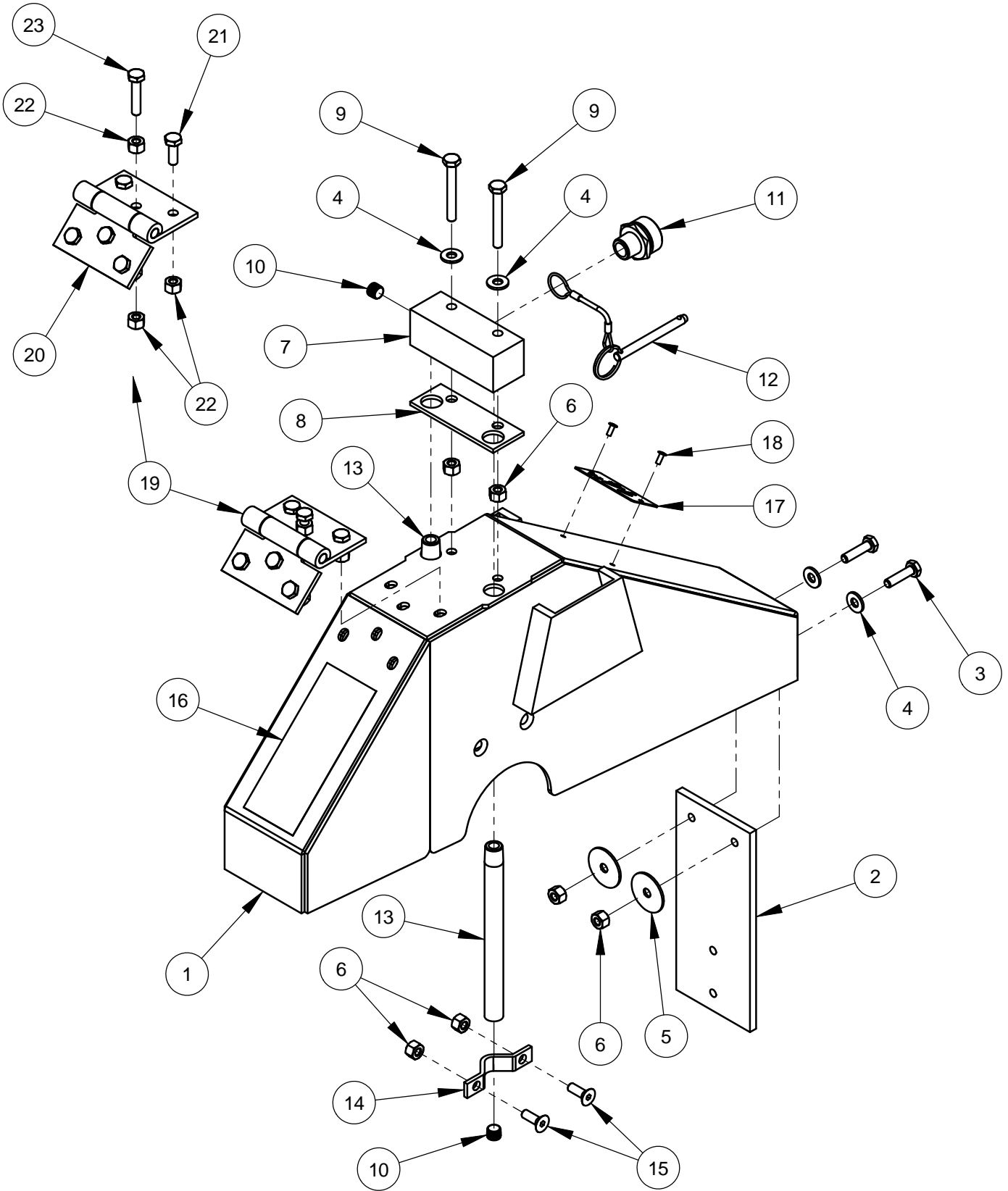


ITEM	PART NO.	QTY.	DESCRIPTION
1	6010541	1	Front Pointer Frame
2	6011152	2	Front Pointer Arm
3	6013025	1	Front Pointer Rod
4	2500740	1	Pointer Cap
5	2501409	1	Wheel, 6"
6	2900127	2	Flat Washer, 1/2" USS
7	2500007	2	Set Collar, 1/2" with Set Screw
8	2900105	2	Cap Screw, Hex Hd., 1/2-13 x 2-3/4"
9	2900026	2	Lock Nut, 1/2-13 Nylon
10	2900005	2	Cap Screw, Hex Hd., 3/8-16 x 1"
11	2900033	4	Hex Nut, 3/8-16
12	2900013	2	Cap Screw, Hex Hd., 3/8-16 x 1-1/4"
13	6017241	1	Pointer Rope 11 Foot
14	3200221	2	Pinch Clamp, Two Ear



(BLANK)

# 14" Blade Guard Assembly #6010600

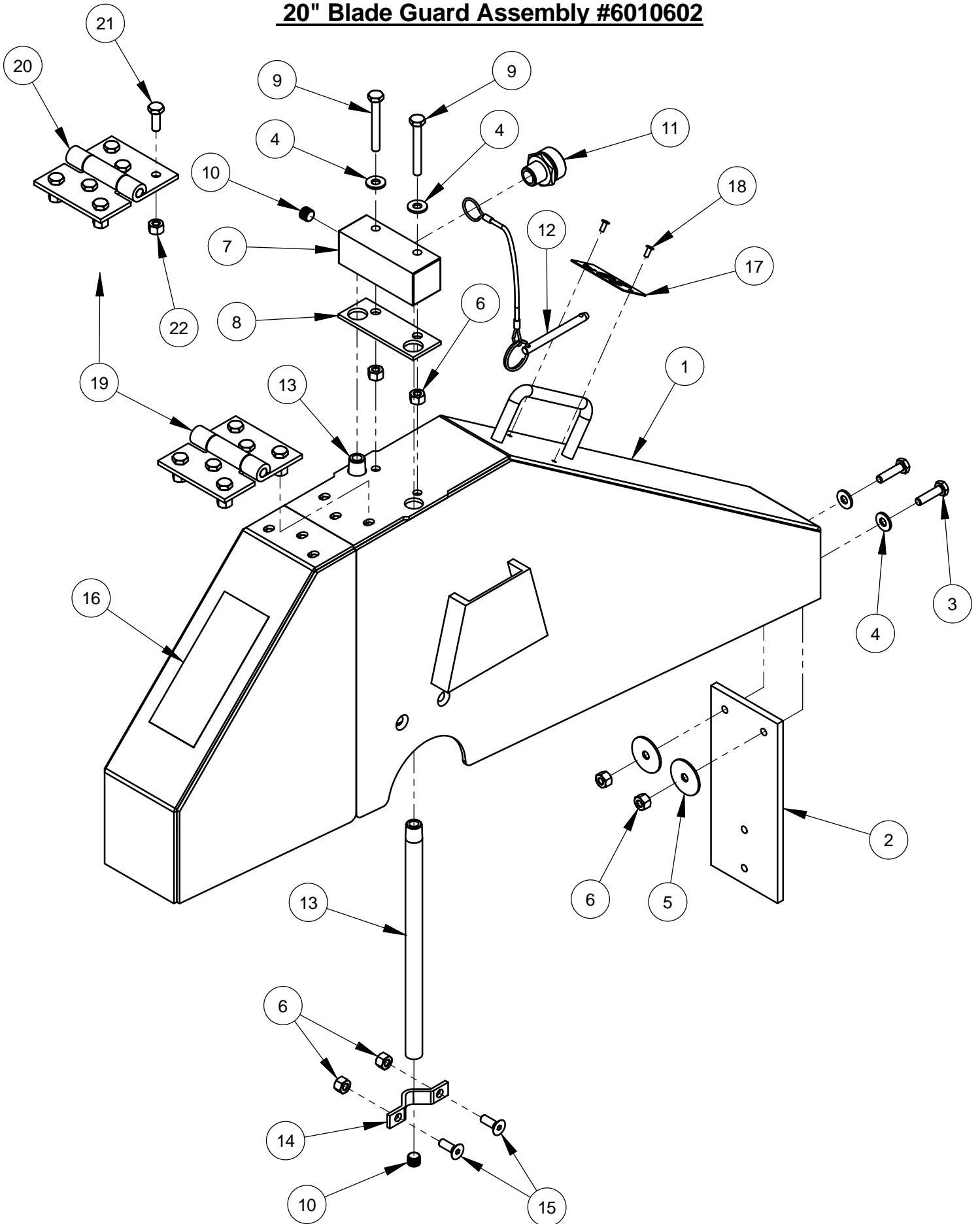


## 14" Blade Guard Assembly #6010600

ITEM	PART NO.	QTY.	DESCRIPTION
1	6010601	1	14" Blade Guard Front & Rear Only
2	6010081	1	Splash Flap
3	2900008	2	Cap Screw, Hex Hd., 1/4-20 x 1"
4	2900009	4	Flat Washer, 1/4" SAE
5	2900083	2	Fender Washer, 1/4" x 1-1/4"
6	2900010	8	Lock Nut, 1/4-20 Nylon
7	6010261	1	Water Manifold
8	2500830	1	Water Manifold Gasket
9	2900294	2	Cap Screw, Hex Hd., 1/4-20 x 2"
10	3200001	3	Plug, 1/8" NPT
11	3200002	1	Fitting, 3/8" M. Pipe to 3/4" M. Garden
12	2900278	1	Lanyard with Lock Pin
13	6048283	2	Water Tube for 14" Guard
14	6048155	2	Water Tube Clamp
15	2900020	4	Cap Screw, Flat Hd., 1/4-20 x 3/4"
16	1800001	1	Warning Label
17	1801369A	1	Blade Guard Size Tag
18	2900287	2	Rivet, 1/8" Dia.
19	6048150	1	Hinge Assembly for 14" Guard

ITEM	PART NO.	QTY.	DESCRIPTION
20	2500270	1	Blade Guard Hinge
21	2900144	5	Cap Screw, Hex Hd., 1/4-20 x 3/4"
22	2900010	7	Lock Nut, 1/4-20 Nylon
23	2900052	1	Cap Screw, Hex Hd., 1/4-20 x 1-1/4"

# 20" Blade Guard Assembly #6010602

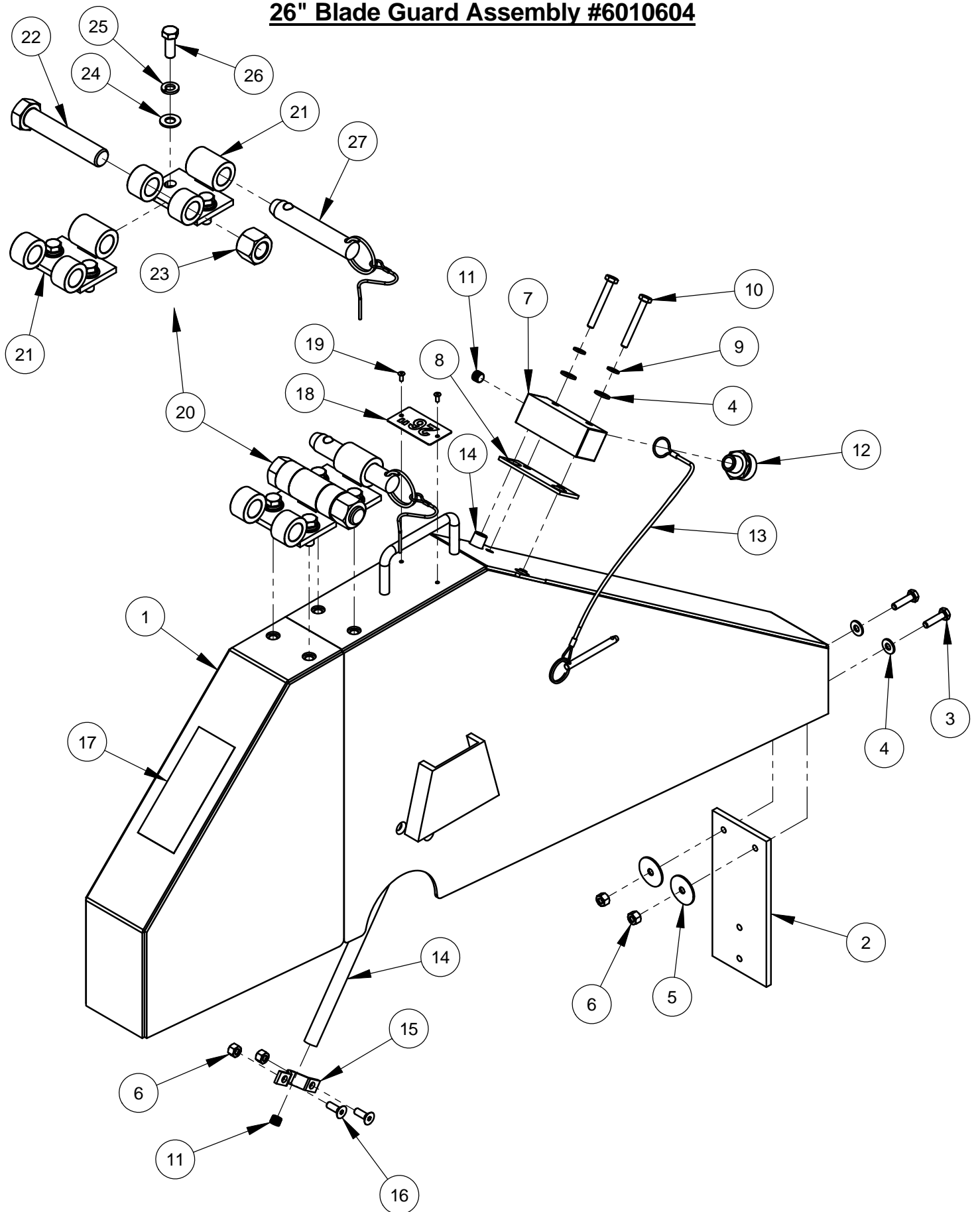


## 20" Blade Guard Assembly #6010602

ITEM	PART NO.	QTY.	DESCRIPTION
1	6010603	1	20" Blade Guard Front & Rear Only
2	6010081	1	Splash Flap
3	2900008	2	Cap Screw, Hex Hd., 1/4-20 x 1"
4	2900009	4	Flat Washer, 1/4" SAE
5	2900083	2	Fender Washer, 1/4" x 1-1/4"
6	2900010	8	Lock Nut, 1/4-20 Nylon
7	6010261	1	Water Manifold
8	2500830	1	Water Manifold Gasket
9	2900294	2	Cap Screw, Hex Hd., 1/4-20 x 2"
10	3200001	3	Plug, 1/8" NPT
11	3200002	1	Fitting, 3/8" M. Pipe to 3/4" M. Garden
12	2900278	1	Lanyard with Lock Pin
13	6010085	2	Water Tube for 20" Guard
14	6048155	2	Water Tube Clamp
15	2900020	4	Cap Screw, Flat Hd., 1/4-20 x 3/4"
16	1800001	1	Warning Label
17	1801369D	1	Blade Guard Size Tag
18	2900287	2	Rivet, 1/8" Dia.
19	6010251	1	Hinge Assembly for 20" Guard

ITEM	PART NO.	QTY.	DESCRIPTION
20	2500270	1	Blade Guard Hinge
21	2900144	6	Cap Screw, Hex Hd., 1/4-20 x 3/4"
22	2900010	6	Lock Nut, 1/4-20 Nylon

# 26" Blade Guard Assembly #6010604

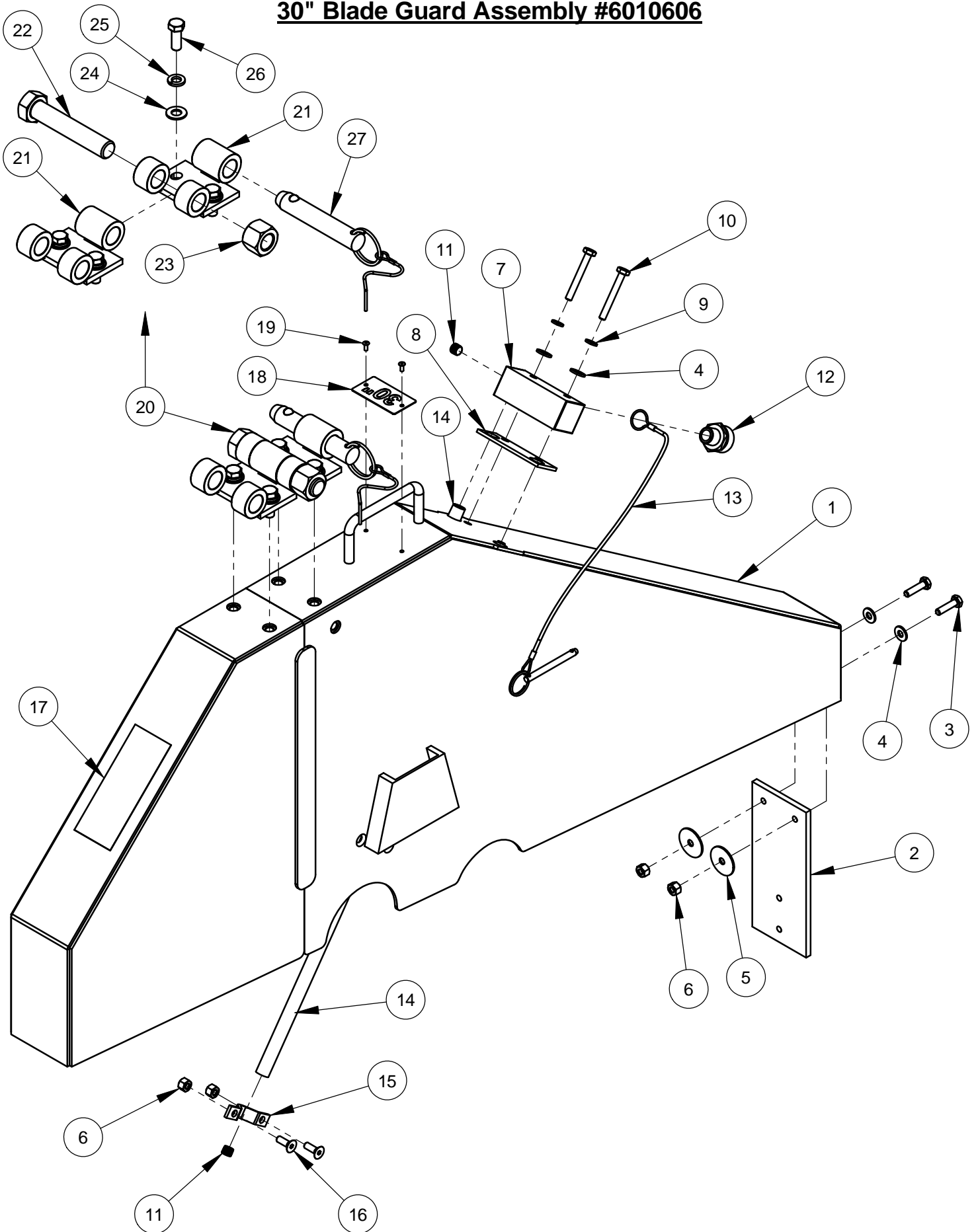


## 26" Blade Guard Assembly #6010604

ITEM	PART NO.	QTY.	DESCRIPTION
1	6010605	1	26" Blade Guard Front & Rear Only
2	6010081	1	Splash Flap
3	2900008	2	Cap Screw, Hex Hd., 1/4-20 x 1"
4	2900009	4	Flat Washer, 1/4" SAE
5	2900083	2	Fender Washer, 1/4" x 1-1/4"
6	2900010	6	Lock Nut, 1/4-20 Nylon
7	6010261	1	Water Manifold
8	2500830	1	Water Manifold Gasket
9	2900024	2	Lock Washer, 1/4" Split
10	2900294	2	Cap Screw, Hex Hd., 1/4-20 x 2"
11	3200001	3	Plug, 1/8" NPT
12	3200002	1	Fitting, 3/8" M. Pipe to 3/4" M. Garden
13	2900279	1	Lanyard with Lock Pin
14	6010086	2	Water Tube for 26" Guard
15	6048155	2	Water Tube Clamp
16	2900020	4	Cap Screw, Flat Hd., 1/4-20 x 3/4"
17	1800001	1	Warning Label
18	1801369F	1	Blade Guard Size Tag
19	2900287	2	Rivet, 1/8" Dia.
20	6010872	1	Universal Hinge Assembly

ITEM	PART NO.	QTY	DESCRIPTION
21	6010871	2	Hinge Weldment, Universal
22	2900479	1	Cap Screw, Hex Hd., 3/4-10 x 4"
23	2900467	1	Lock Nut, 3/4-10 Nylon
24	2900014	4	Flat Washer, 3/8" SAE
25	2900006	4	Lock Washer, 3/8" Split
26	2900005	4	Cap Screw, Hex Hd., 3/8-16 x 1"
27	2503824	1	Detent Pin, 3/4" x 3" Grip

# 30" Blade Guard Assembly #6010606



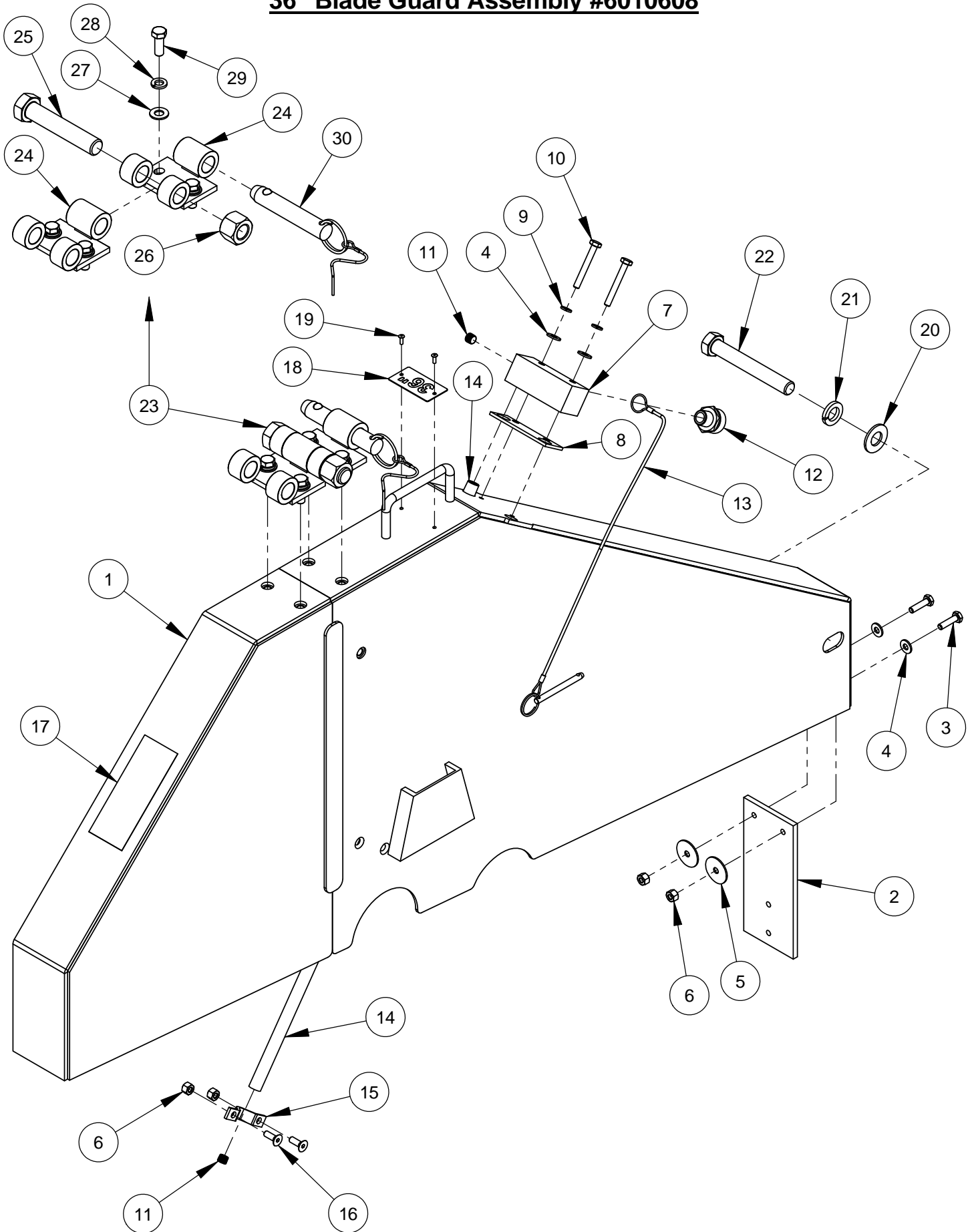


## 30" Blade Guard Assembly #6010606

ITEM	PART NO.	QTY.	DESCRIPTION
1	6010607	1	30" Blade Guard Front & Rear Only
2	6010081	1	Splash Flap
3	2900008	2	Cap Screw, Hex Hd., 1/4-20 x 1"
4	2900009	4	Flat Washer, 1/4" SAE
5	2900083	2	Fender Washer, 1/4" x 1-1/4"
6	2900010	6	Lock Nut, 1/4-20 Nylon
7	6010261	1	Water Manifold
8	2500830	1	Water Manifold Gasket
9	2900024	2	Lock Washer, 1/4" Split
10	2900294	2	Cap Screw, Hex Hd., 1/4-20 x 2"
11	3200001	3	Plug, 1/8" NPT
12	3200002	1	Fitting, 3/8" M. Pipe to 3/4" M. Garden
13	2900279	1	Lanyard with Lock Pin
14	6010087	2	Water Tube for 30" Guard
15	6048155	2	Water Tube Clamp
16	2900020	4	Cap Screw, Flat Hd., 1/4-20 x 3/4"
17	1800001	1	Warning Label
18	1801369G	1	Blade Guard Size Tag
19	2900287	2	Rivet, 1/8" Dia.
20	6010872	1	Universal Hinge Assembly

ITEM	PART NO.	QTY	DESCRIPTION
21	6010871	2	Hinge Weldment, Universal
22	2900479	1	Cap Screw, Hex Hd., 3/4-10 x 4"
23	2900467	1	Lock Nut, 3/4-10 Nylon
24	2900014	4	Flat Washer, 3/8" SAE
25	2900006	4	Lock Washer, 3/8" Split
26	2900005	4	Cap Screw, Hex Hd., 3/8-16 x 1"
27	2503824	1	Detent Pin, 3/4" x 3" Grip

# 36" Blade Guard Assembly #6010608



## 36" Blade Guard Assembly #6010608

ITEM	PART NO.	QTY.	DESCRIPTION
1	6010609	1	36" Blade Guard Front & Rear Only
2	6010081	1	Splash Flap
3	2900008	2	Cap Screw, Hex Hd., 1/4-20 x 1"
4	2900009	4	Flat Washer, 1/4" SAE
5	2900083	2	Fender Washer, 1/4" x 1-1/4"
6	2900010	6	Lock Nut, 1/4-20 Nylon
7	6010261	1	Water Manifold
8	2500830	1	Water Manifold Gasket
9	2900024	2	Lock Washer, 1/4" Split
10	2900294	2	Cap Screw, Hex Hd., 1/4-20 x 2"
11	3200001	3	Plug, 1/8" NPT
12	3200002	1	Fitting, 3/8" M. Pipe to 3/4" M. Garden
13	2900280	1	Lanyard with Lock Pin
14	6010088	2	Water Tube for 36" Guard
15	6048155	2	Water Tube Clamp
16	2900020	4	Cap Screw, Flat Hd., 1/4-20 x 3/4"
17	1800001	1	Warning Label
18	1801369H	1	Blade Guard Size Tag
19	2900639	2	Rivet, 1/8" Dia.
20	2900002	1	Flat Washer, 5/8" SAE
21	2900113	1	Lock Washer, 5/8" Split
22	2900585	1	Cap Screw, Hex Hd., 5/8-11 x 4-1/2"
23	6010872	1	Universal Hinge Assembly

ITEM	PART NO.	QTY	DESCRIPTION
24	6010871	2	Hinge Weldment, Universal
25	2900479	1	Cap Screw, Hex Hd., 3/4-10 x 4"
26	2900467	1	Lock Nut, 3/4-10 Nylon
27	2900014	4	Flat Washer, 3/8" SAE
28	2900006	4	Lock Washer, 3/8" Split
29	2900005	4	Cap Screw, Hex Hd., 3/8-16 x 1"
30	2503824	1	Detent Pin, 3/4" x 3" Grip

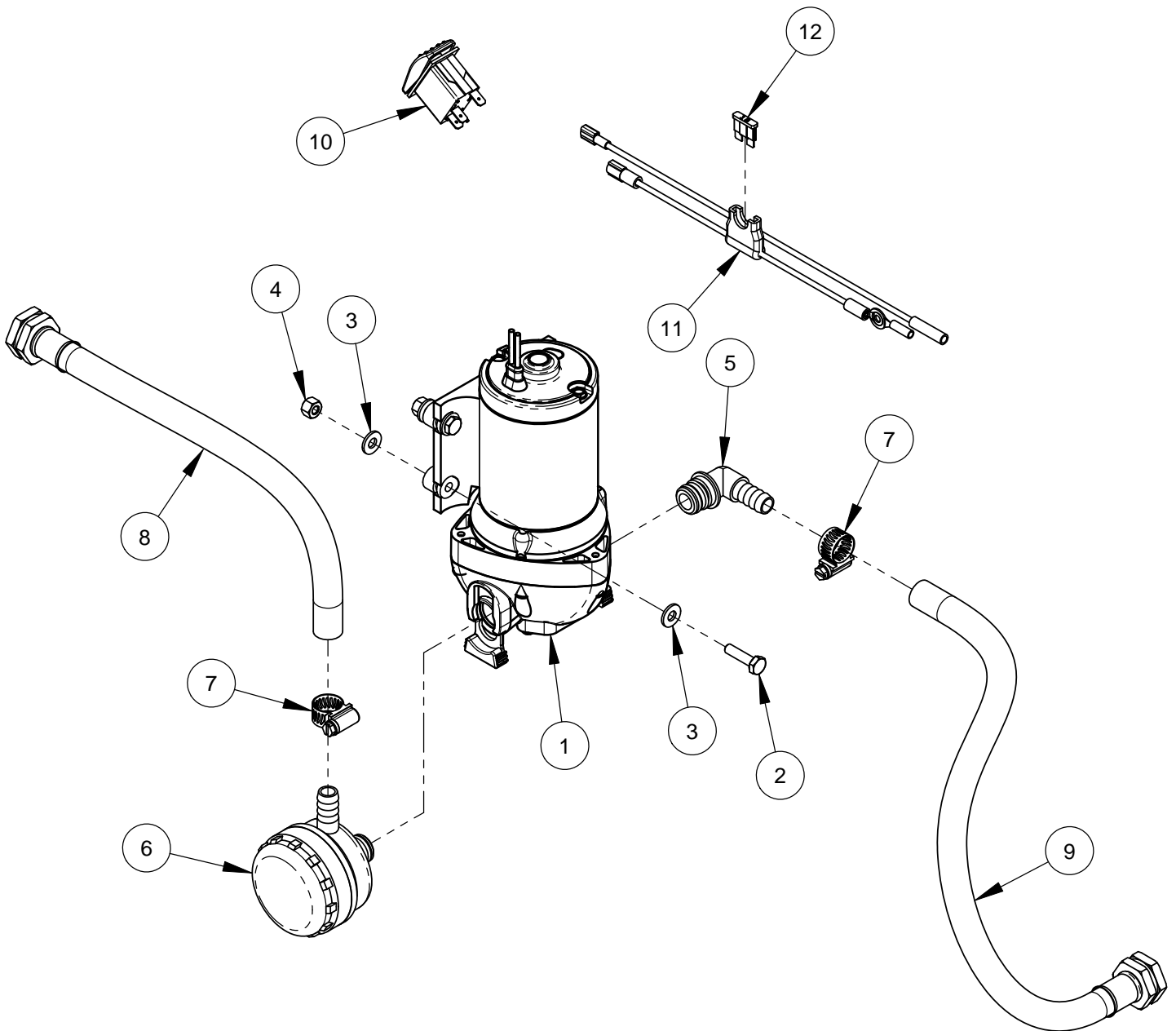


## 42" Blade Guard Assembly #6017352

ITEM	PART NO.	QTY	DESCRIPTION
1	6010611	1	42" Blade Guard Front & Rear Only
2	6010081	1	Splash Flap
3	2900008	2	Cap Screw, Hex Hd., 1/4-20 x 1"
4	2900009	4	Flat Washer, 1/4" SAE
5	2900083	2	Fender Washer, 1/4" x 1-1/4"
6	2900010	6	Lock Nut, 1/4-20 Nylon
7	6048123	1	Water Manifold
8	2500829	1	Water Manifold Gasket
9	2900024	2	Lock Washer, 1/4" Split
10	2900294	2	Cap Screw, Hex Hd., 1/4-20 x 2"
11	3200001	3	Plug, 1/8" NPT
12	3200002	1	Fitting, 3/8" M. Pipe to 3/4" M. Garden
13	2900280	1	Lanyard with Lock Pin
14	6010114	2	Water Tube for 42" Guard
15	6048155	2	Water Tube Clamp
16	2900020	4	Cap Screw, Flat Hd., 1/4-20 x 3/4"
17	1800001	1	Warning Label
18	1801369I	1	Blade Guard Size Tag
19	2900639	2	Rivet, 1/8" Dia.
20	2900002	1	Flat Washer, 5/8" SAE
21	2900113	2	Lock Washer, 5/8" Split
22	2900601	1	Cap Screw, Hex Hd., 5/8-11 x 4-1/4"
23	2900512	1	Cap Screw, Hex Hd., 5/8-11 x 1-1/4"
24	6010872	1	Universal Hinge Assembly

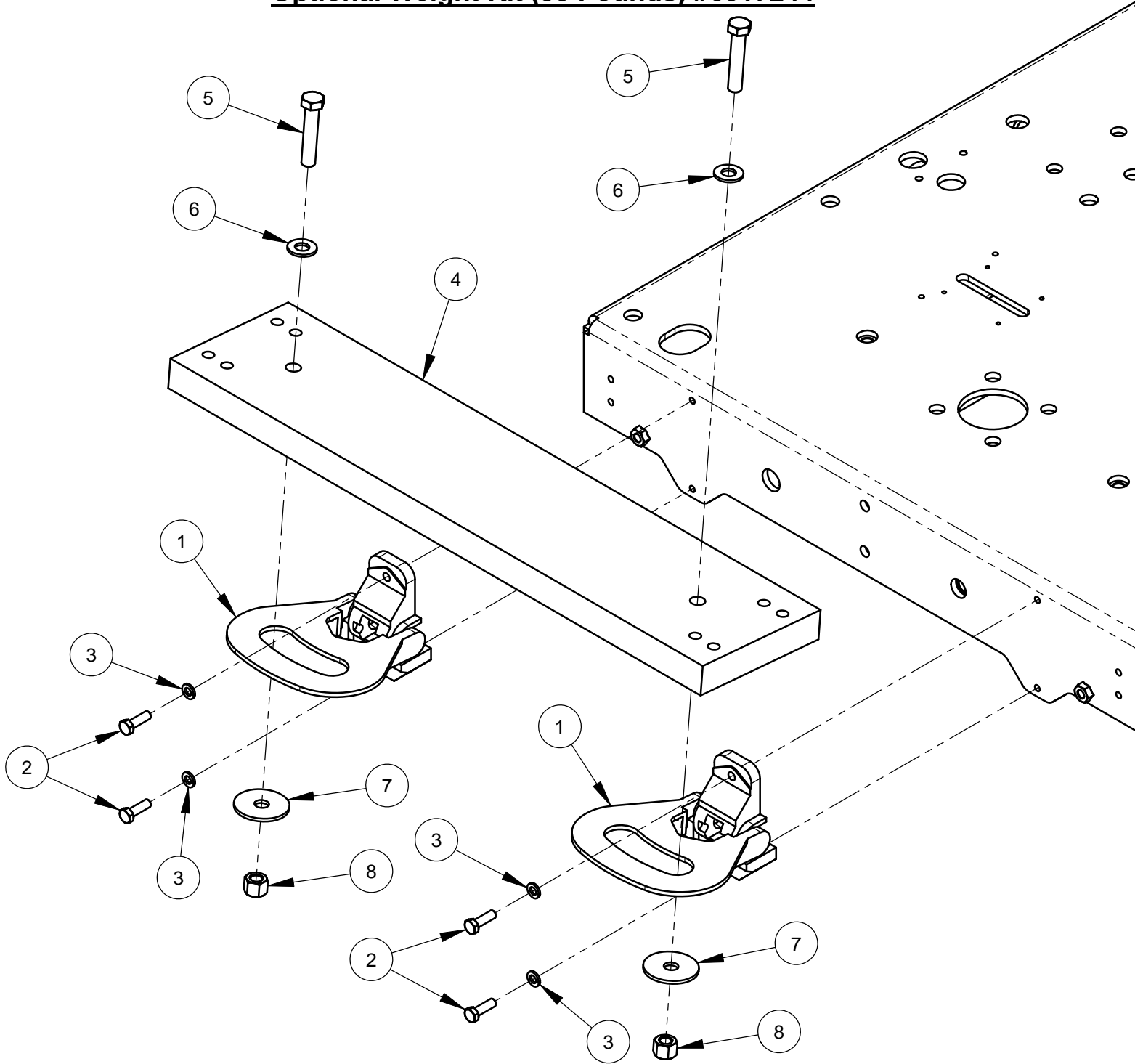
ITEM	PART NO.	QTY	DESCRIPTION
25	6010871	2	Hinge Weldment, Universal
26	2900479	1	Cap Screw, Hex Hd., 3/4-10 x 4"
27	2900467	1	Lock Nut, 3/4-10 Nylon
28	2900014	4	Flat Washer, 3/8" SAE
29	2900006	4	Lock Washer, 3/8" Split
30	2900005	4	Cap Screw, Hex Hd., 3/8-16 x 1"
31	2503824	1	Detent Pin, 3/4" x 3" Grip

## Optional Water Pump Assembly #6017183



ITEM	PART NO.	QTY	DESCRIPTION
1	2600655	1	Water Pump, 12V Diaphragm
2	2900008	4	Cap Screw, Hex Hd., 1/4-20 x 1"
3	2900009	8	Flat Washer, 1/4" SAE
4	2900010	4	Lock Nut, 1/4-20 Nylon
5	2701694	1	Port Fitting, 1/2" Barb x 90 Degree
6	2703198	1	Inlet Strainer
7	3200016	2	Hose Clamp #8
8	6017195	1	Water Hose Assembly 14"
9	6010303	1	Water Hose Assembly 60"
10	2800808	1	Rocker Switch
11	6017275	1	Water Pump Harness
12	2800512	1	Fuse, 15 Amp Blue ATO/ATC

## Optional Weight Kit (55 Pounds) #6017244



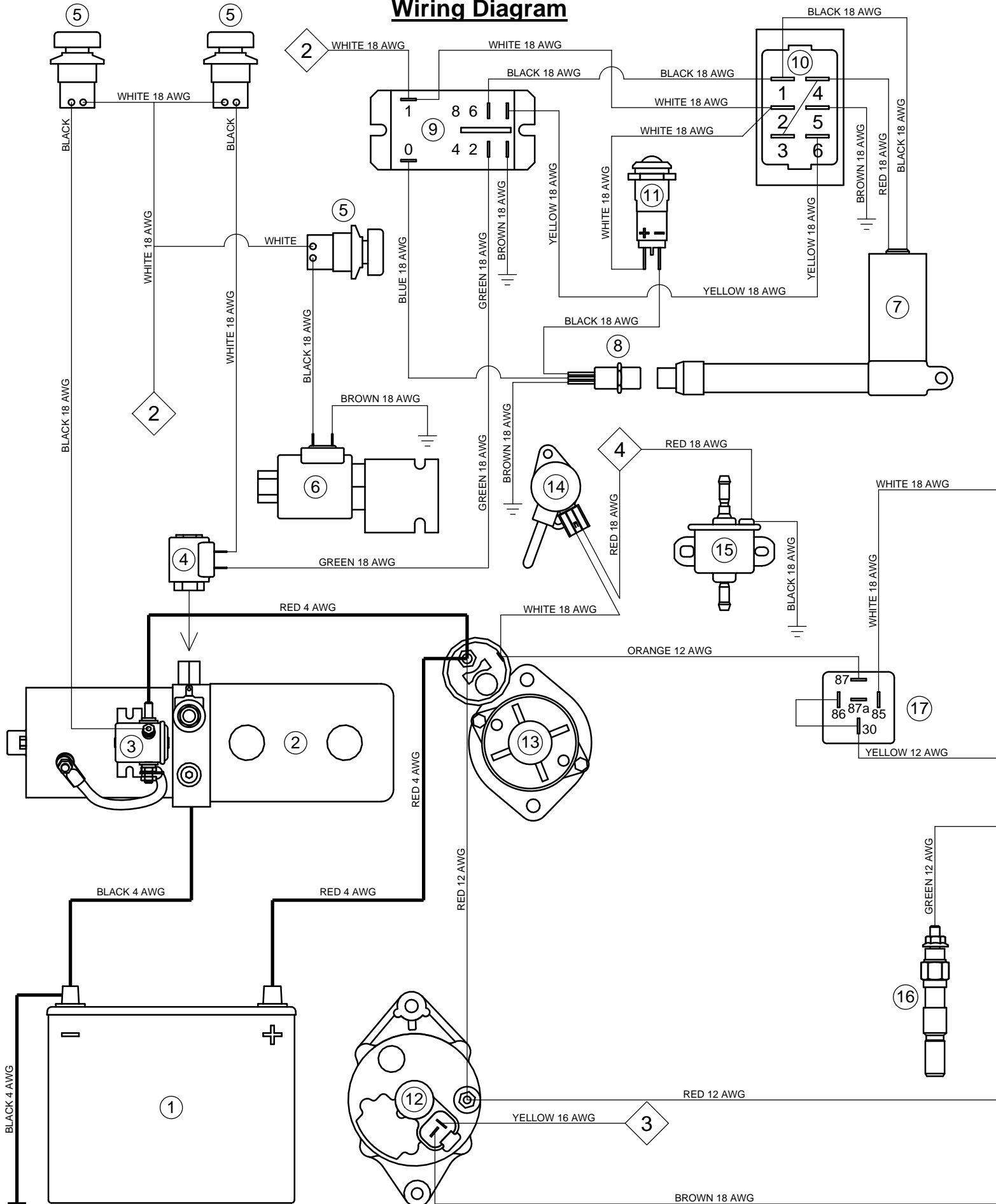
ITEM	PART NO.	QTY	DESCRIPTION
1	2503798	2	Foot Rest, Folding
2	2900138	4	Cap Screw, Hex Hd., 5/16-18 x 1"
3	2900031	4	Lock Washer, 5/16" Split
4	6013042	1	Saw Weight, 55 Pound
5	2900811	2	Cap Screw, Hex Hd., 1/2-13 x 2-1/2"
6	2900058	2	Flat Washer, 1/2" SAE
7	2900854	2	Fender Washer, 1/2" x 2"
8	2900026	2	Lock Nut, 1/2-13 Nylon



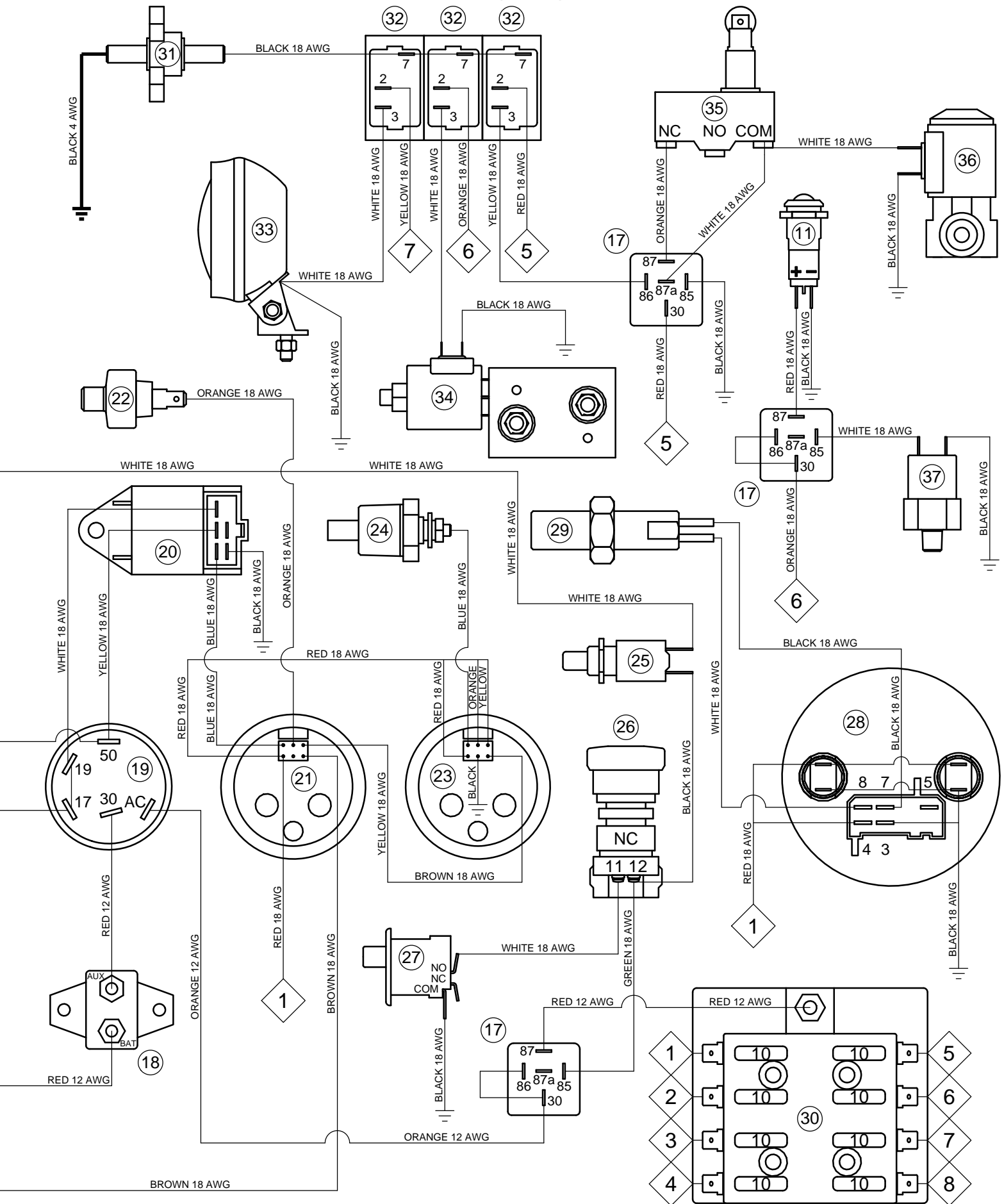




# Wiring Diagram



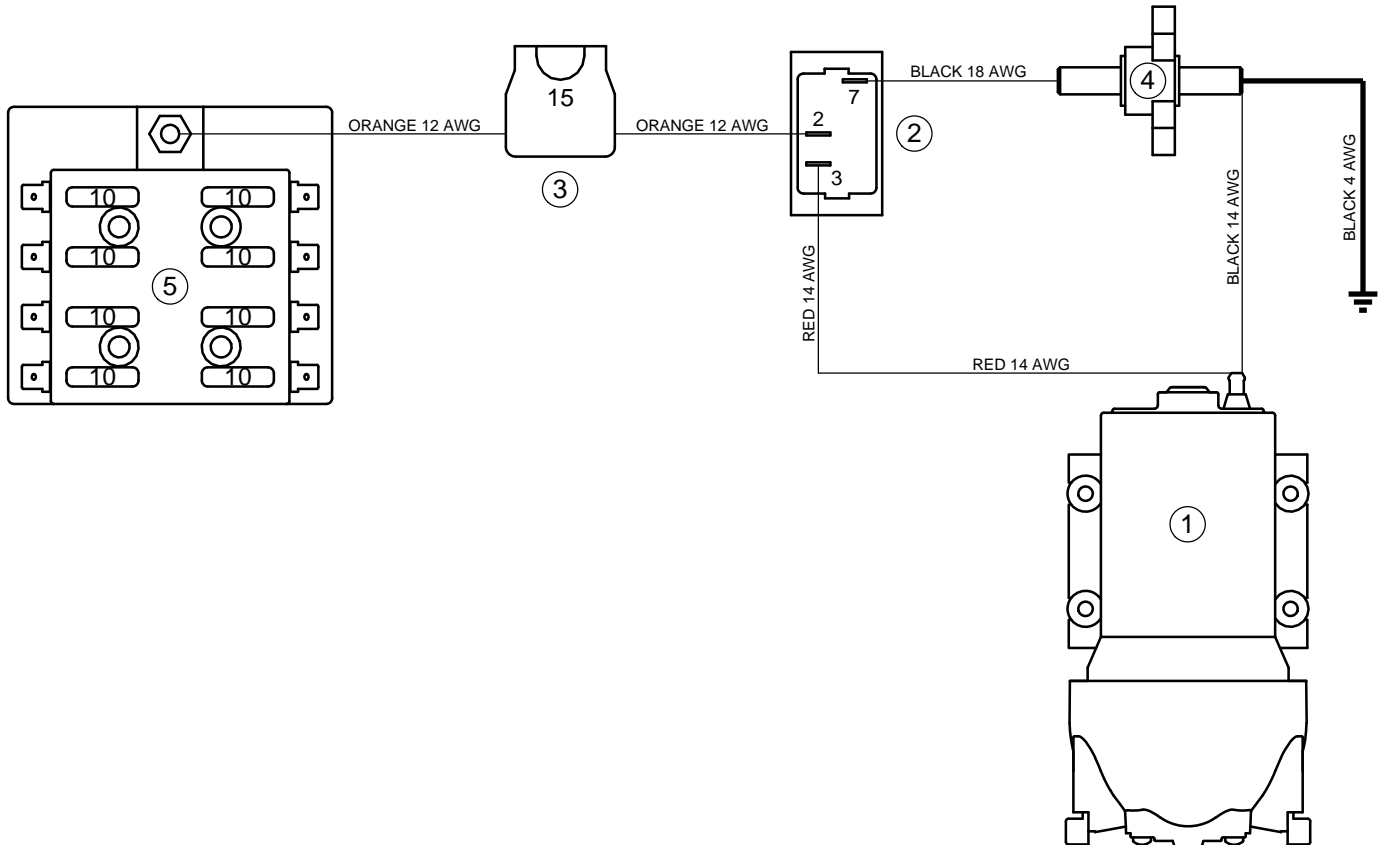
# Wiring Diagram



## Wiring Diagram

ITEM	PART NO.	QTY	DESCRIPTION
1	2800465	1	Battery, 12 Volt Group Size 24
2	2600070	1	Hydraulic Pump Unit (Includes #3 & #4)
3	2700169	1	Solenoid Switch, Motor
4	2700243	1	Valve Coil
	2700244	1	Valve Stem
5	2800373	3	Pushbutton Switch (B&W)
6	3201660	1	Valve, Solenoid Blocking
7	2503726	1	Actuator
8	2800637	1	Magnetic Proximity Sensor
9	2801262	1	Relay, 30 Amp, 12V, DPST
10	2800258	1	Rocker Switch Body
	2800259	1	Rocker Switch Actuator
11	2800640	2	Indicator Light (Red)
12	2704961	1	Alternator
13	2704960	1	Starter
14	2704964	1	Fuel Solenoid
15	2705005	1	Fuel Pump
16	2704962	4	Glow Plug
17	2800144	4	Relay, 50 Amp, 12V, SPDT
18	2800643	1	Circuit Breaker, 40 Amp
	2800364	1	Circuit Breaker Boot, Red
19	2705001	1	Ignition Switch & Keys
	2705000	1	Ignition Keys Only (Pair)
20	2705006	1	Timer, 12V DC
21	2705003	1	Cluster Gauge, 4 Warning Light
22	2704963	1	Oil Pressure Sender
23	2800617	1	Water Temperature Gauge
24	2800624	1	Water Temperature Sender
25	2800876	1	Neutral Safety Switch N.C.
26	2801367	1	E-Stop Switch
27	2800607	1	Door Interlock Switch
28	6010416	1	Tach/Hour Meter (VDO) Calibrated
29	2800878	1	Magnetic Sensor w/Nut & Connector
30	2800696	1	Fuse Panel, 8 Circuit
	2800389	7	Fuse, 10 Amp Red ATO/ATC
31	2800626	1	Ground Stud Block
32	2800808	3	Rocker Switch
33	2500194	1	Spot Light, 12 Volt
34	3201664	1	Valve Block Unit
35	2800609	1	Limit Switch, Roller Plunger
36	3200775	1	Water Solenoid Valve N.C.
37	2800060	1	Water Pressure Safety Switch N.C.

## Options Wiring Diagram



ITEM	PART NO.	QTY	DESCRIPTION
1	2600655	1	Water Pump, 12V Diaphragm
2	2800808	1	Rocker Switch
3	6017275	1	Water Pump Harness
	2800512	1	Fuse, 15 Amp Blue ATO/ATC
4	2800626	1	Ground Stud Block
5	2800696	1	Fuse Panel, 8 Circuit

# Decal Group

#1801651

**DIAMOND PRODUCTS CORE CUT CC7070**

333 PROSPECT STREET  
ELYRIA, OHIO 44028 USA  
PHONE 1-800-521-5336  
www.diamondproducts.com

CC7070 RPM CHART							
BLADE SIZE	BLADE RPM	BLADESHAFT SHEAVE	ENGINE SHEAVE	ENGINE RPM	BELT SIZE	FLANGE SIZE	MAX CUT DEPTH
14"	2,800	4"	4"	2,800	3VX530	4-1/2"	4-1/2"
20"	2,500	4.5"	4"	2,800	3VX530	4-1/2"	7-1/2"
26"	2,100	4.5"	4"	2,350	3VX530	4-1/2"	10-1/2"
30"	1,800	6"	4"	2,700	3VX560	6"	11-3/4"
36"	1,500	6"	4"	2,250	3VX560	6"	14-3/4"
42"	1,300	6.9"	4"	2,250	3VX570	7"	17-1/4"

**WARNING**  
 WARNING! NEVER EXCEED THE MAXIMUM RPM STAMPED ON BLADE!  
 EXCESSIVE SPEED CAN CAUSE BLADE BREAKAGE RESULTING IN SERIOUS PERSONAL INJURY OR DEATH.

RAISE LOWER FORWARD REVERSE  
 SPEED CONTROL LEVER MUST BE IN STOP POSITION TO START ENGINE

#1801651

**CORE CUT**  
**CC7070**

#1801652 (QTY. 2)

#1801700

**DIAMOND PRODUCTS CORE CUT CC7070**

333 PROSPECT STREET  
ELYRIA, OHIO 44028 USA  
PHONE 1-800-521-5336  
www.diamondproducts.com

CC7070 RPM CHART							
BLADE SIZE	BLADE RPM	BLADESHAFT SHEAVE	ENGINE SHEAVE	ENGINE RPM	BELT SIZE	FLANGE SIZE	MAX CUT DEPTH
14"	2,800	4"	4"	2,800	3VX530	4-1/2"	4-1/2"
20"	2,500	4.5"	4"	2,800	3VX530	4-1/2"	7-1/2"
26"	2,100	4.5"	4"	2,350	3VX530	4-1/2"	10-1/2"
30"	1,800	6"	4"	2,700	3VX560	6"	11-3/4"
36"	1,500	6"	4"	2,250	3VX560	6"	14-3/4"
42"	1,300	6.9"	4"	2,250	3VX570	7"	17-1/4"

**WARNING**  
 WARNING! NEVER EXCEED THE MAXIMUM RPM STAMPED ON BLADE!  
 EXCESSIVE SPEED CAN CAUSE BLADE BREAKAGE RESULTING IN SERIOUS PERSONAL INJURY OR DEATH.

RAISE LOWER FORWARD REVERSE  
 SPEED CONTROL LEVER MUST BE IN STOP POSITION TO START ENGINE

#1801700

#1801377

#1801388

#1801389

#1801390

#1801391

#1801392

#1801393

#1801394

## Blade Speed Conversion Charts

**WARNING:** Do not exceed blade speed (RPM) shown for each blade size.  
Excessive blade speed could result in blade breakage and serious personal injury!

Blade Size	Blade Shaft		Engine		Max. Depth of Cut
	No Load RPM	Sheave Size	No Load RPM	Sheave Size	
14"	2,800	4"	2,800	4"	4-1/2"
20"	2,500	4.5"	2,800	4"	7-1/2"
26"	2,100	4.5"	2,350	4"	10-1/2"
30"	1,800	6"	2,700	4"	11-3/4"
36"	1,500	6"	2,250	4"	14-3/4"
42"	1,300	6.9"	2,250	4"	17-1/4"

**WARNING:** When changing blade size, use chart shown below for selecting items that must be changed.

Model CC7070	14"	20"	26"	30"	36"	42"
Blade Guard Assembly	6010600	6010602	6010604	6010606	6010608	6010610
Blade Shaft Sheave (Sheave Size)	6010658 (4")	6010545 (4.5")	6010545 (4.5")	6013046 (6")	6013046 (6")	6013047 (6.9")
Drive Belts (Set of 2) (Belt Size)	2502041 (5/3VX530)	2502041 (5/3VX530)	2502041 (5/3VX530)	2502042 (5/3VX560)	2502042 (5/3VX560)	2503849 (3VX570)
Inner Flanges (2) (Flange Size)	6010036 (4.5")	6010036 (4.5")	6010036 (4.5")	6010038 (6")	6010038 (6")	6017230 (7")
Outer Flanges (2) (Flange Size)	6010037 (4.5")	6010037 (4.5")	6010037 (4.5")	6010039 (6")	6010039 (6")	6017231 (7")
Skid Plate Mounting Holes	Bottom Set	Bottom Set	Bottom Set	Middle Set	Middle Set	Top Set

## EQUIPMENT AND PARTS WARRANTY

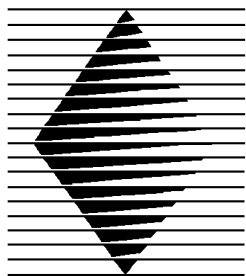
Diamond Products warrants all equipment manufactured by it against defects in workmanship or materials for a period of one (1) year from the date of shipment to Customer.

The responsibility of Diamond Products under this Warranty is limited to replacement or repair of defective parts at Diamond Products' Elyria, Ohio factory, or at a point designated by it, of such parts as shall appear to us upon inspection at such parts, to have been defective in material or workmanship, with expense for transportation and labor borne by Customer.

In no event shall Diamond Products be liable for consequential or incidental damages arising out of the failure of any Product to operate properly.

Integral units such as engines, electric motors, batteries, transmissions, etc., are excluded from this Warranty and are subject to the prime manufacturer's warranty.

**THIS WARRANTY IS IN LIEU OF ALL OTHER WARRANTIES, EXPRESSED OR IMPLIED, AND ALL SUCH OTHER WARRANTIES ARE HEREBY DISCLAIMED.**



# DIAMOND PRODUCTS

333 Prospect Street, Elyria, Ohio 44035  
(440) 323-4616 • (800) 321-5336 • Fax (440) 323-8689  
[www.diamondproducts.com](http://www.diamondproducts.com)