

DIAMOND
PRODUCTS









CONCRETE SAW
PARTS LIST

MODEL
CC7074

October 2010

Part #1801370

CC7074 RPM CHART

BLADE SIZE	BLADE RPM	LOWER SHEAVES	UPPER SHEAVES	ENGINE RPM	BELT SIZE	FLANGE SIZE	MAX CUT DEPTH
20"	2,475	3.65"	6.5"	2,800	5/3VX375	5"	7-1/4"
26"	2,075	4"	6"	2,800	5/3VX375	5"	10-1/4"
30"	1,725	4.5"	5.6"	2,800	5/3VX375	5"	12-1/4"
36"	1,475	4.75"	5"	2,800	5/3VX375	6"	14-3/4"
42"	1,175	4.75"	4"	2,800	5/3VX355	7"	17-1/4"
48"	1,050	4.75"	4"	2,500	5/3VX355	8"	19-3/4"
							

WARNING

**WARNING! NEVER EXCEED THE MAXIMUM RPM STAMPED ON BLADE!
 EXCESSIVE SPEED CAN CAUSE BLADE BREAKAGE RESULTING IN SERIOUS PERSONAL INJURY OR DEATH.**



READ OWNERS MANUAL
BEFORE OPERATING MACHINE



MACHINERY
HAZARD



USE ONLY IN WELL
VENTILATED AREA



DO NOT USE IN
FLAMMABLE AREAS



ALL GUARDS
MUST BE IN PLACE



HEARING
PROTECTION



EYE
PROTECTION



HEAD
PROTECTION



BREATHING
PROTECTION

- Always check the bladeshaft RPM before mounting blade.
- Only use blades with a rated speed higher than the bladeshaft speed.
- When changing blade size, always adjust bladeshaft RPM according to the speed chart to match recommended blade RPM.
- Do not use a blade flange size smaller than indicated for each blade.

- Never operate saw without the blade guard in place or allow rotating blade exposure to exceed 180 degrees.
- Never stand in line with the blade path when starting or operating saw.
- Never use damaged blades or equipment.
- Refer to operator's manual for additional information about safety, operation and maintenance.

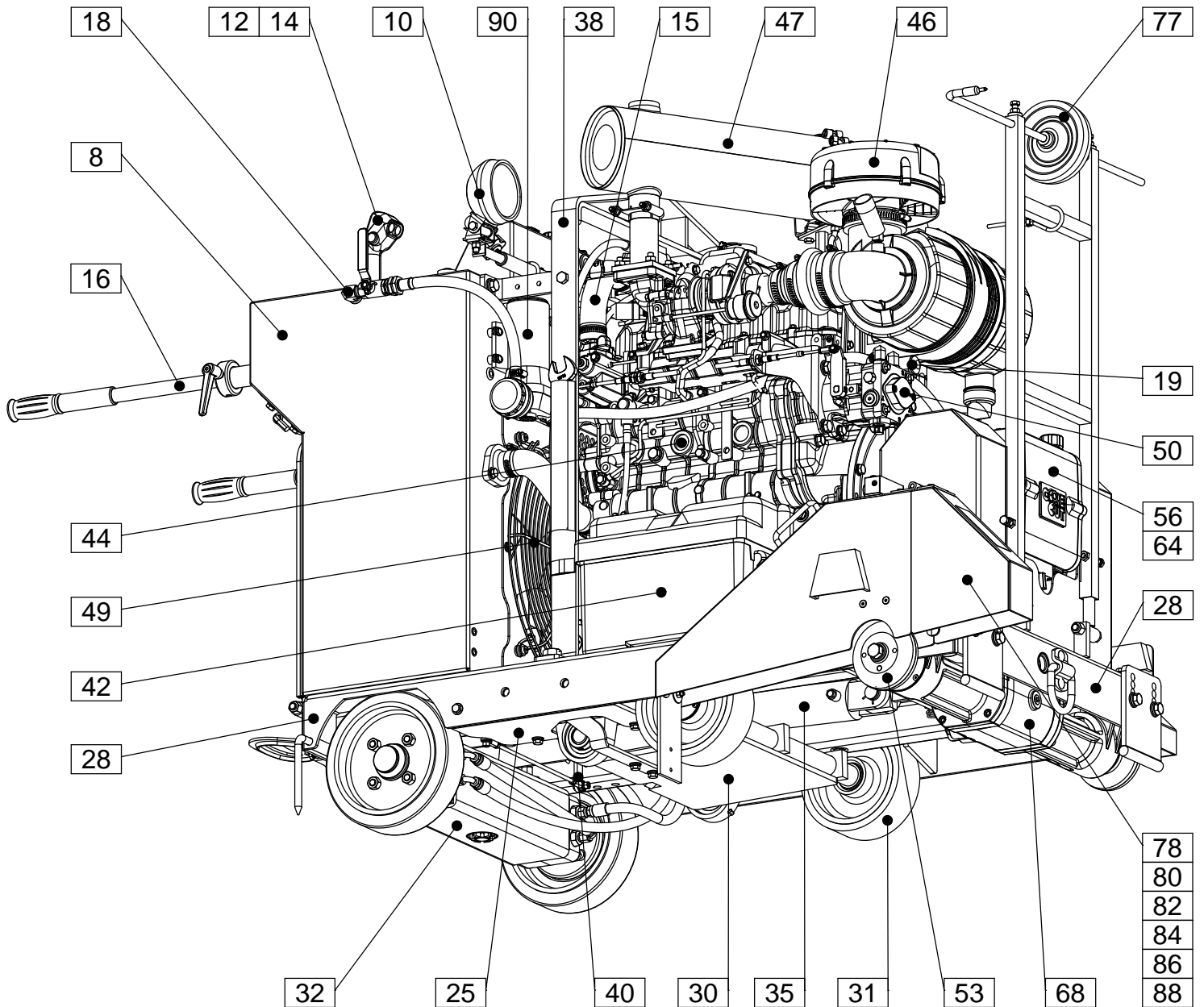
WARNING

**The engine exhaust from this product
 contains chemicals known to the
 State of California to cause cancer,
 birth defects or other reproductive harm.**

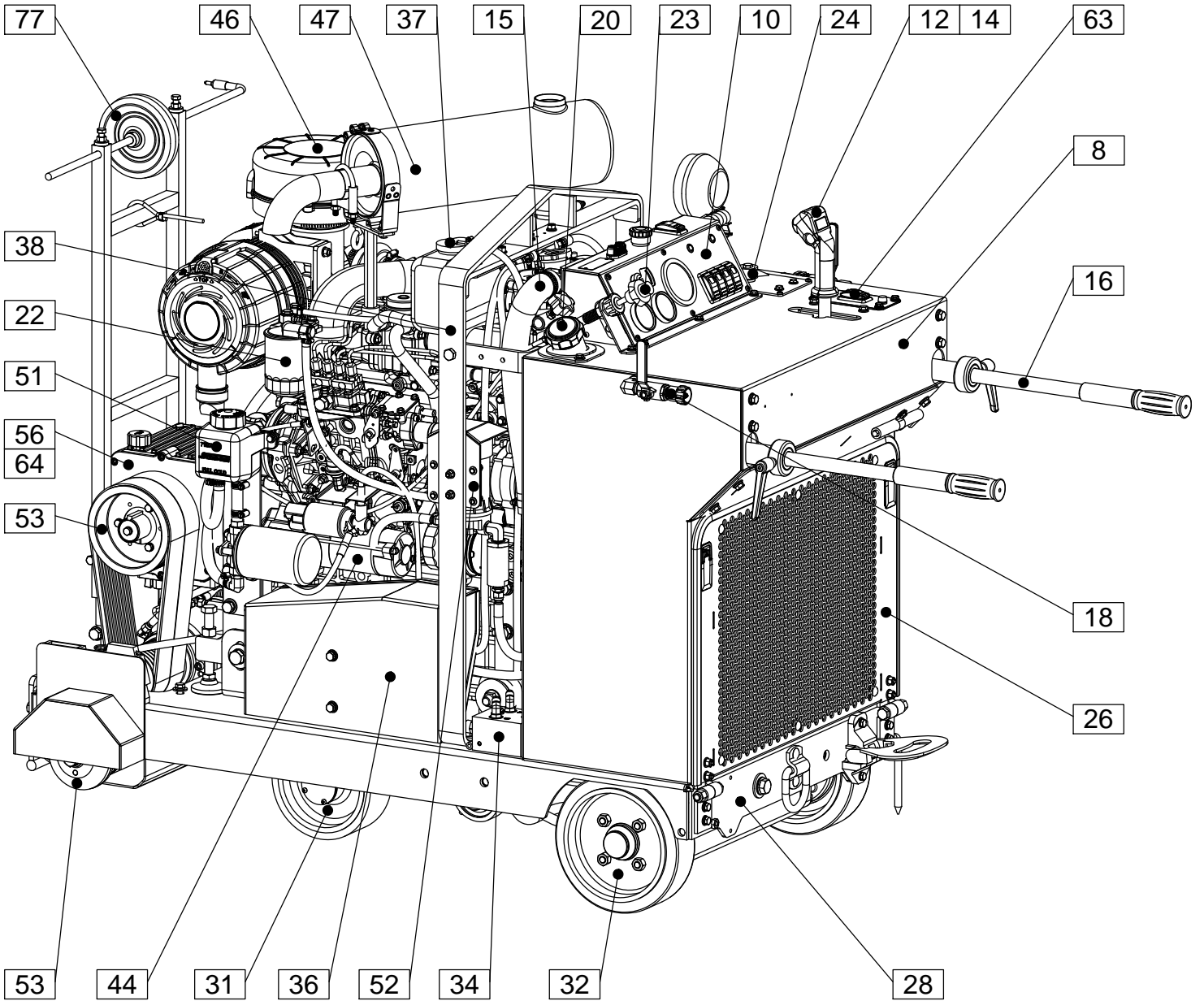
Table of Contents

Pictorial Page Index.....	4,5	Reservoir Tank Assembly.....	51
Controls Legend.....	6	Oil Pump & Cooler Assembly.....	52
Quick Reference Service Filters/Belts/Fluids	7	Belt Drive Assembly.....	53-55
Frame Upright Assembly.....	8,9	Bevel Gear Box w/o Clutch.....	56,57
Instrument Panel Assembly.....	10,11	Bevel Gear Shaft Assembly.....	58
Speed Control Lever Assembly.....	12,13	Bevel Gear Box Side Cover Assembly.....	59
Control Grip Assembly.....	14	Bevel Pinion Cartridge Assembly.....	60
Filler Neck Assembly.....	15	Bevel Gear Box Housing Assembly.....	61
Handle Bar Assembly.....	16	Flywheel Coupling Assembly.....	62
Double Rod Cylinder Assembly.....	17	Clutch Switch Assembly.....	63
Water Supply Assembly.....	18	Bevel Gear Box with Clutch.....	64,65
Water Valve Assembly.....	19	Electric Clutch Assembly.....	66
Fuel Tank Assembly.....	20,21	Bevel Pinion Cartridge Asm for Clutch.....	67
Fuel Supply Assembly.....	22	Single Speed Transmission.....	68,69
Throttle Cable Assembly.....	23	Right Hand Half Shaft Assembly.....	70
Depth Indicator Assembly.....	24	Left Hand Half Shaft Assembly.....	71
Depth Indicator Cable Assembly.....	25	Side Cover Assembly.....	72
Radiator Assembly.....	26,27	Main Housing Assembly.....	73
Frame Base Assembly.....	28,29	Input Shaft Assembly.....	74
Front Axle Assembly.....	30	Spur Gear Assembly.....	75
Front Wheel Assembly.....	31	Vent Tube Assembly.....	76
Rear Axle Assembly.....	32,33	Front Pointer Assembly.....	77
Valve Block Assembly.....	34	20" Blade Guard Assembly.....	78,79
Hydraulic Cylinder Assembly.....	35	26" Blade Guard Assembly.....	80,81
Hydraulic Lift Pump Assembly.....	36	30" Blade Guard Assembly.....	82,83
Coolant Tank Assembly.....	37	36" Blade Guard Assembly.....	84,85
Frame Lift Assembly.....	38,39	42" Blade Guard Assembly.....	86,87
Depth Stop Assembly.....	40,41	48" Blade Guard Assembly.....	88,89
Battery Assembly.....	42,43	Optional Water Pump Assembly.....	90
Engine Assembly.....	44,45	Optional Weight Kit (55 Pounds).....	91
Air Intake Assembly.....	46	Notes.....	92,93
Muffler Assembly.....	47	Wiring Diagram.....	94-96
Fan Assembly.....	48	Options Wiring Diagram.....	97
Fan Shroud Assembly.....	49	Decal Group.....	98
Hydro Pump Assembly.....	50	Blade Speed Conversion Charts.....	99
		Warranty.....	100

Pictorial Page Index



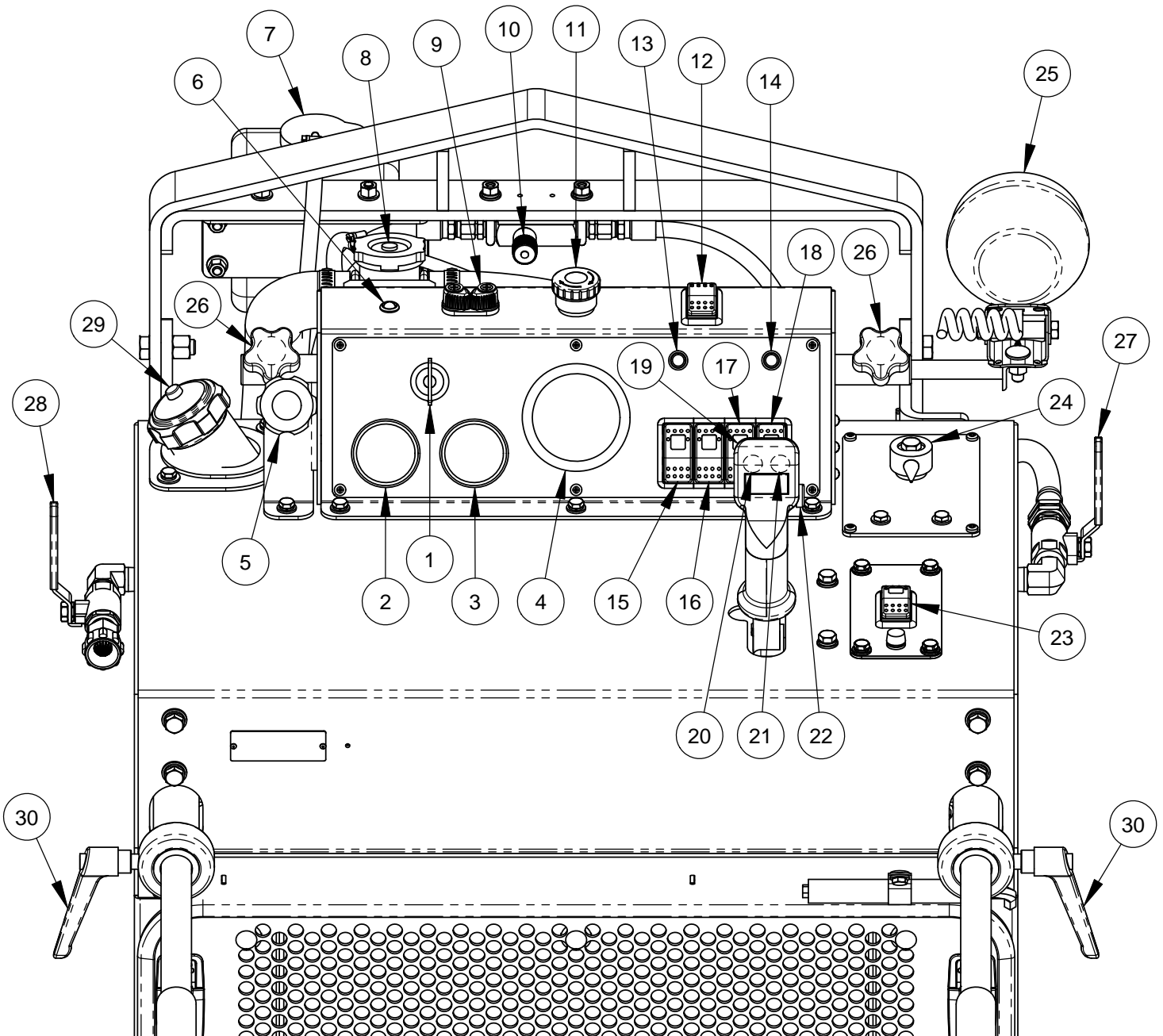
Pictorial Page Index



Controls Legend

1	Ignition Switch
2	Coolant Temperature Gauge
3	Engine 4 Warning Light Gauge
4	Blade Tachometer / Hour Meter
5	Engine Throttle Control
6	Blade Gearbox Temp Light
7	Coolant Recovery Tank Cap
8	Radiator Filler Cap
9	Pointer Rope Cleat
10	Lowering Speed Control Valve
11	Emergency Stop Button
12	Blade Depth Stop Rocker Switch
13	Low Blade Water Light
14	Blade Depth Set Light
15	Auto Water System Switch

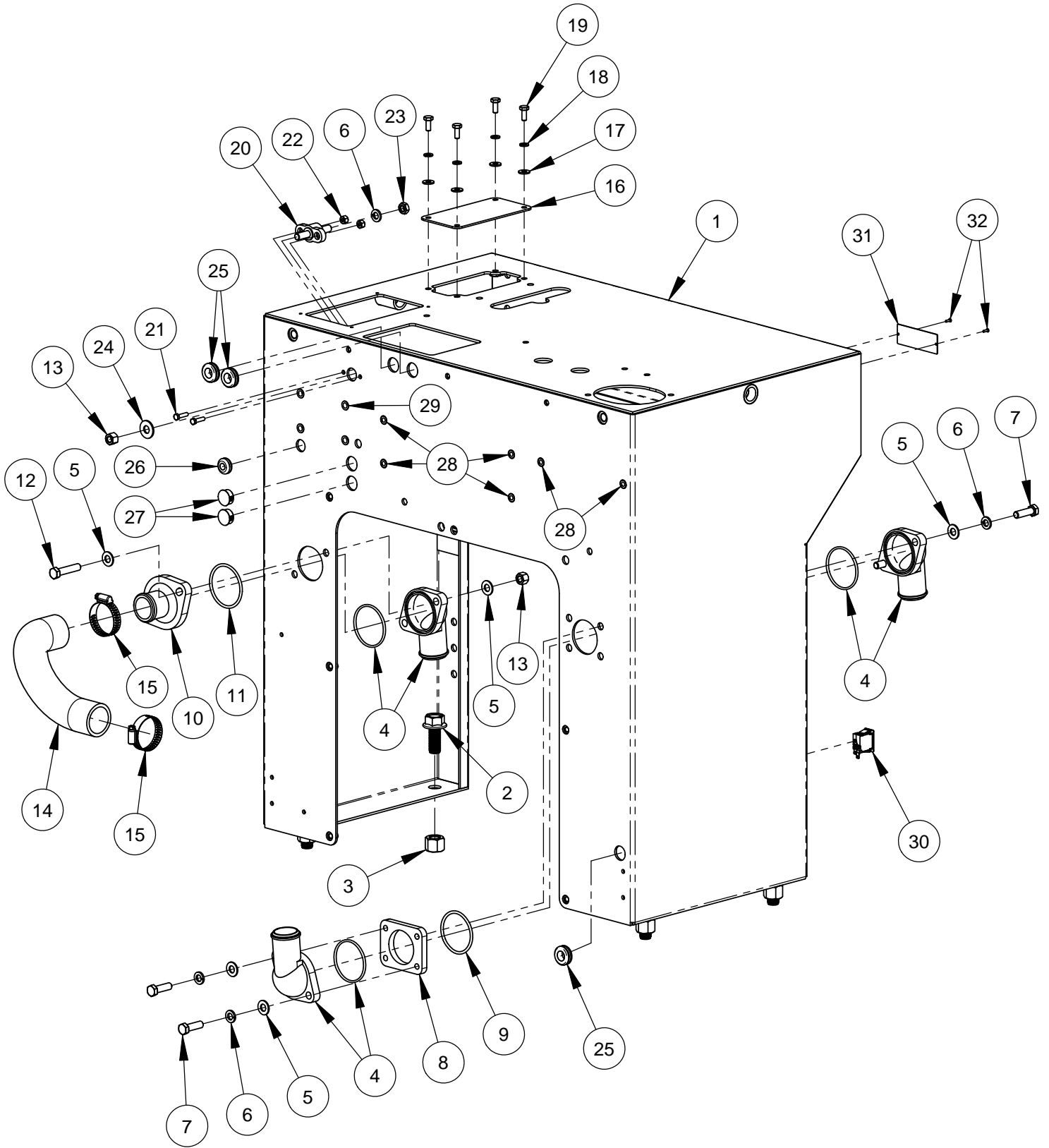
16	Free Wheel Rocker Switch
17	Spot Light Rocker Switch
18	Water Pump Switch (Optional)
19	Travel Speed Control Lever
20	Saw Raise Push Button
21	Saw Lower Push Button
22	Tilt Handle Bar Push Button
23	Blade Clutch Rocker Switch
24	Cutting Depth Indicator
25	Spot Light
26	Spot Light Adjustment Knob
27	Water On/Off Control Valve
28	Water Metering Control Valve
29	Fuel Filler / Gauge Cap
30	Handle Bar Lock Lever



Quick Reference Service Filters / Belts / Fluids

DP Part No.	Description	Manufacturer's Part No.
2702630	Engine Oil Filter	Kubota #HH1CO-32430
2702631	Engine Fuel Filter	Kubota #16631-43560
2501785	In-Line Fuel Tank Filter	Wix #33007
2501352	Outer Primary Air Filter	Donaldson #P828889
2501353	Inner Safety Air Filter	Donaldson #P829333
2503850	Blade Shaft Belt Set of 4	Gates #5/3VX355K
2503769	Blade Shaft Belt Set of 4	Gates #5/3VX375
3201971	Hydraulic Oil Filter	Zinga AE-10L
3201941	Mini In-Line Oil Filter	Arrow #EK9052V-90
2500468	Engine Oil (3 Gallons)	SAE 15W-40
2503719	Engine Coolant (3 Gallons)	Antifreeze Pre-mixed
2503930	Bevel Gearbox Oil (3 Quarts)	SAE 75W-90 Synthetic
2503954	Blade Gearbox Fluid (2 Quarts)	Synthetic ATF
2500468	Lift Pump Fluid (2 Quarts)	SAE 15W-40
2500468	Wheel Motors / Pump (2 Quarts)	SAE 15W-40

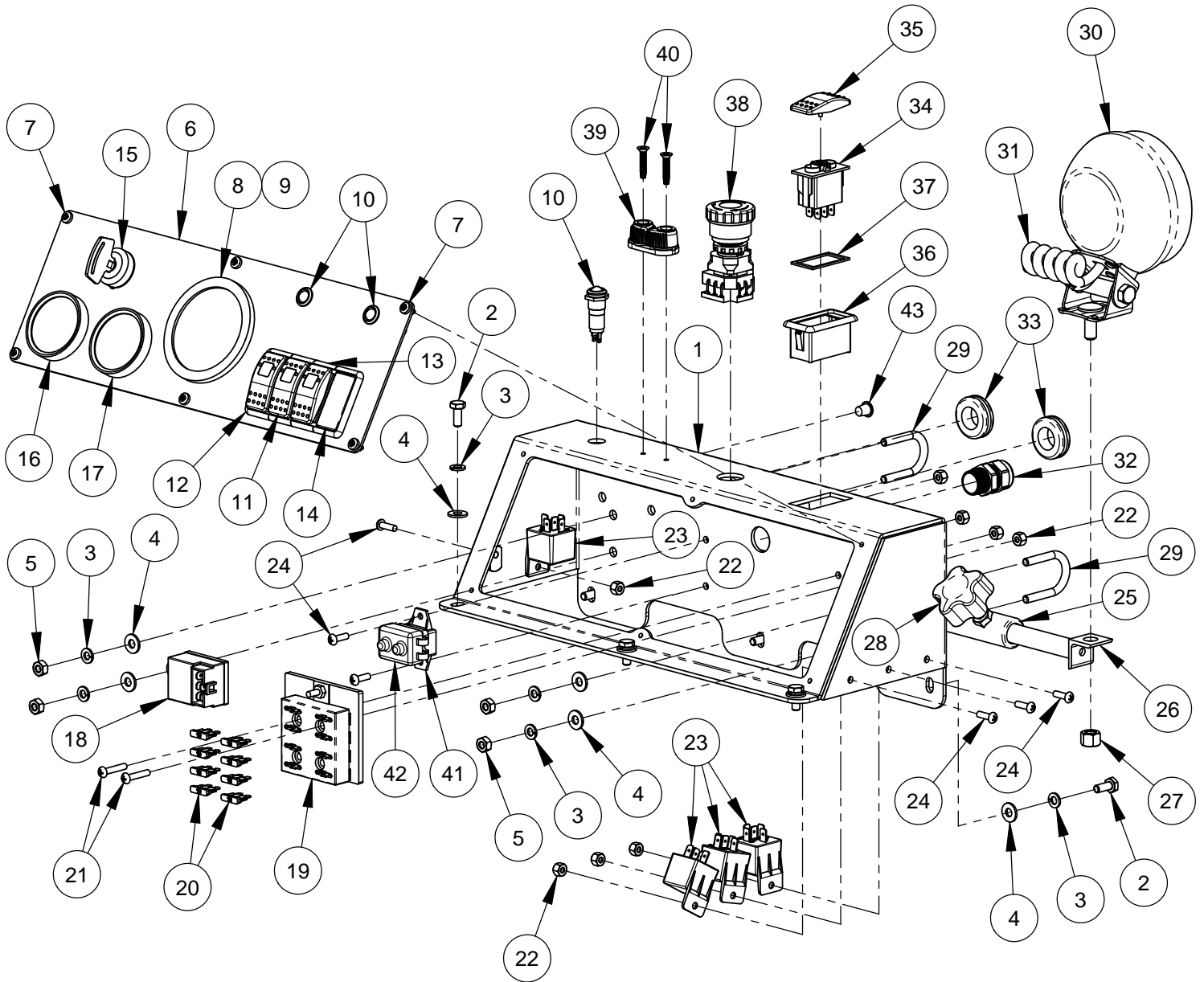
Frame Upright Assembly #6017160



Frame Upright Assembly #6017160

ITEM	PART NO.	QTY	DESCRIPTION
1	6017151	1	Frame Upright
2	2900164	4	Cap Screw, Flange Hd., 5/8-11 x 1-1/2"
3	2900135	4	Lock Nut, 5/8-11 Nylon
4	2502399	3	Water Neck with O-Ring
	2700741	1	O-Ring, Elliptical
5	2900014	8	Flat Washer, 3/8" SAE
6	2900006	5	Lock Washer, 3/8" Split
7	2900013	4	Cap Screw, Hex Hd., 3/8-16 x 1-1/4"
8	6017130	1	Water Neck Mount Plate
9	2503735	1	O-Ring #227
10	6017005	1	Water Neck (Modified)
11	2503774	1	O-Ring #228
12	2900047	2	Cap Screw, Hex Hd., 3/8-16 x 1-3/4"
13	2900018	3	Lock Nut, 3/8-16 Nylon
14	3201976	1	Coolant Hose, 1-1/2"
15	3202142	2	Hose Clamp #24
16	6017212	1	Cover Plate
17	2900009	4	Flat Washer, 1/4" SAE
18	2900024	4	Lock Washer, 1/4" Split
19	2900023	4	Cap Screw, Hex Hd., 1/4-20 x 5/8"
20	2800626	1	Ground Stud Block
21	2900015	2	Machine Screw, Hex Hd., #10-24 x 3/4"
22	2900017	2	Lock Nut, #10-24 Nylon
23	2900782	1	Jam Nut, 3/8-16
24	2900473	1	Flat Washer, 3/8" USS
25	2503712	3	Grommet, 9/16" I.D.
26	2503773	1	Grommet, 3/8" I.D.
27	2503746	2	Plug, 13/16" Hole
28	2503744	6	Plug, Tapered
29	2503749	4	Plug, 5/16" Hole
30	2800607	1	Door Interlock Switch
31	1800169	1	Serial Number Plate, US
32	2900096	2	Rivet, 3/32" Dia.

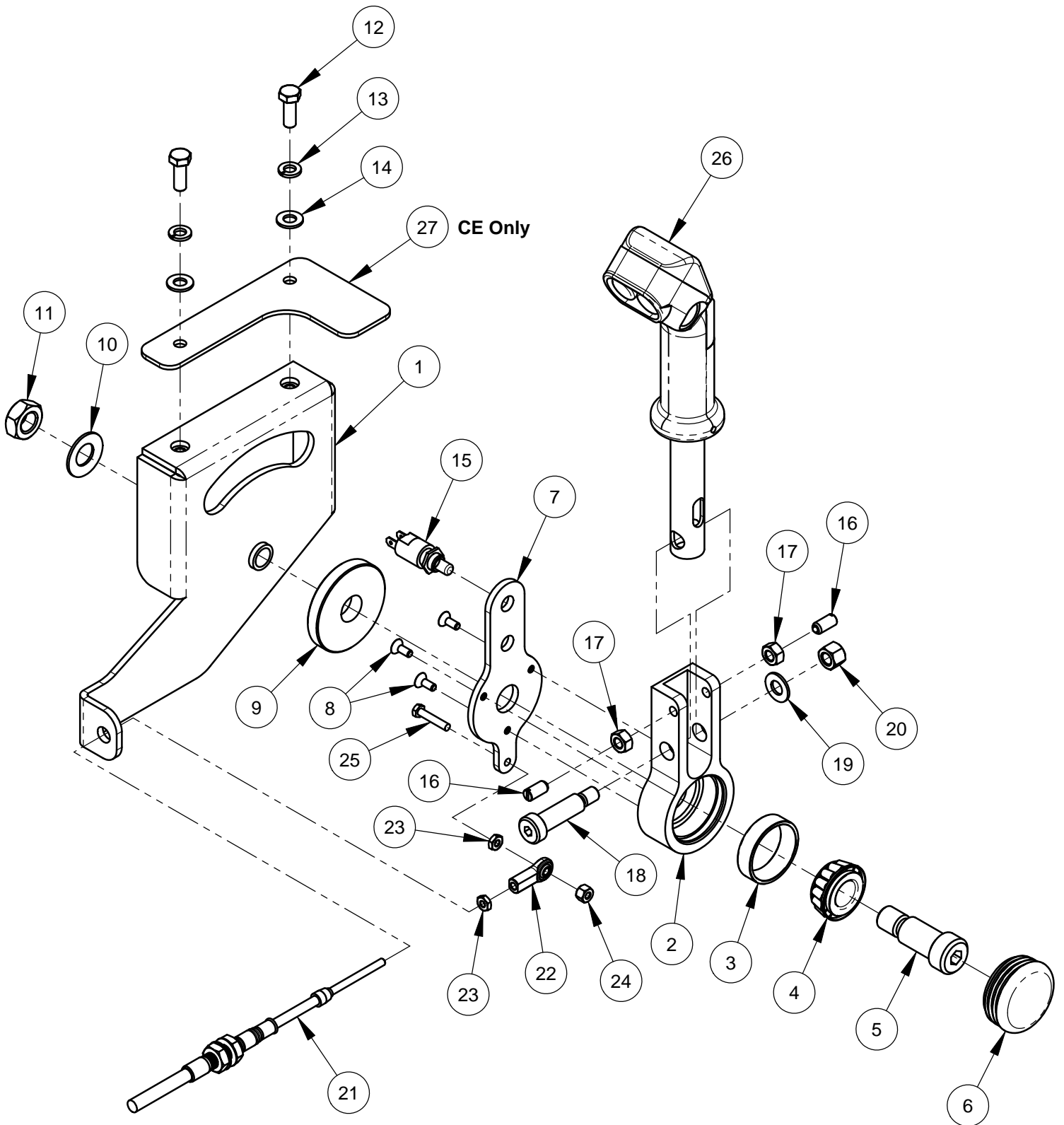
Instrument Panel Assembly #6017161A



Instrument Panel Assembly #6017161A

ITEM	PART NO.	QTY	DESCRIPTION
1	6017131	1	Instrument Box
2	2900023	6	Cap Screw, Hex Hd., 1/4-20 x 5/8"
3	2900024	10	Lock Washer, 1/4" Split
4	2900009	10	Flat Washer, 1/4" SAE
5	2900125	4	Hex Nut, 1/4-20
6	6017047	1	Gauge Panel
7	2900021	6	Tap Screw, Pan Hd., #10-24 x 3/8"
8	6017197	1	Tach/Hour Meter (VDO) Calibrated
9	2400628	1	O-Ring #152
10	2800640	3	Indicator Light (Red)
11	2800808	3	Rocker Switch
12	2800615	2	Rocker Mount End Panel
13	2800616	2	Rocker Mount Middle Panel
14	2800262	1	Rocker Mount Panel Plug
15	2705001	1	Ignition Switch & Keys
	2705000	1	Ignition Keys Only (Pair)
16	2800617	1	Water Temperature Gauge
17	2705003	1	Cluster Gauge, 4 Warning Light
18	2705006	1	Timer, 12V DC
19	2800696	1	Fuse Panel, 8 Circuit
20	2800389	8	Fuse, 10 Amp Red ATO/ATC
21	2900967	2	Machine Screw, Rd. Hd., #10-24 x 1"
22	2900017	8	Lock Nut, #10-24 Nylon
23	2800144	4	Relay, 50 Amp, 12V, SPDT
24	2900159	6	Machine Screw, Rd. Hd., #10-24 x 5/8"
25	6017049	1	Light Mount Tube
26	6010106	1	Light Bar
27	2900018	1	Lock Nut, 3/8-16 Nylon
28	2400157	2	Hand Lock Knob, 5/16-18 x 1"
29	2900241	2	U-Bolt, 1/2" Pipe
30	2500194	1	Spot Light, 12 Volt
31	6017086	1	Coiled Light Cord (1 Foot)
32	2800623	1	Cord Grip, 1/2" NPT Nylon
33	2500203	2	Grommet, 3/4" I.D.
34	2800258	1	Rocker Switch Body
35	2800259	1	Rocker Switch Actuator
36	2800260	1	Rocker Mount Panel
37	2800261	1	Rocker Panel Gasket
38	2801367	1	E-Stop Switch
39	2501427	1	Rope Cleat
40	2900483	2	Tap Screw, Flat Hd., #10-24 x 1"
41	2800643	1	Circuit Breaker, 40 Amp
42	2800364	1	Circuit Breaker Boot
43	2503749	1	Plug, 5/16" Hole

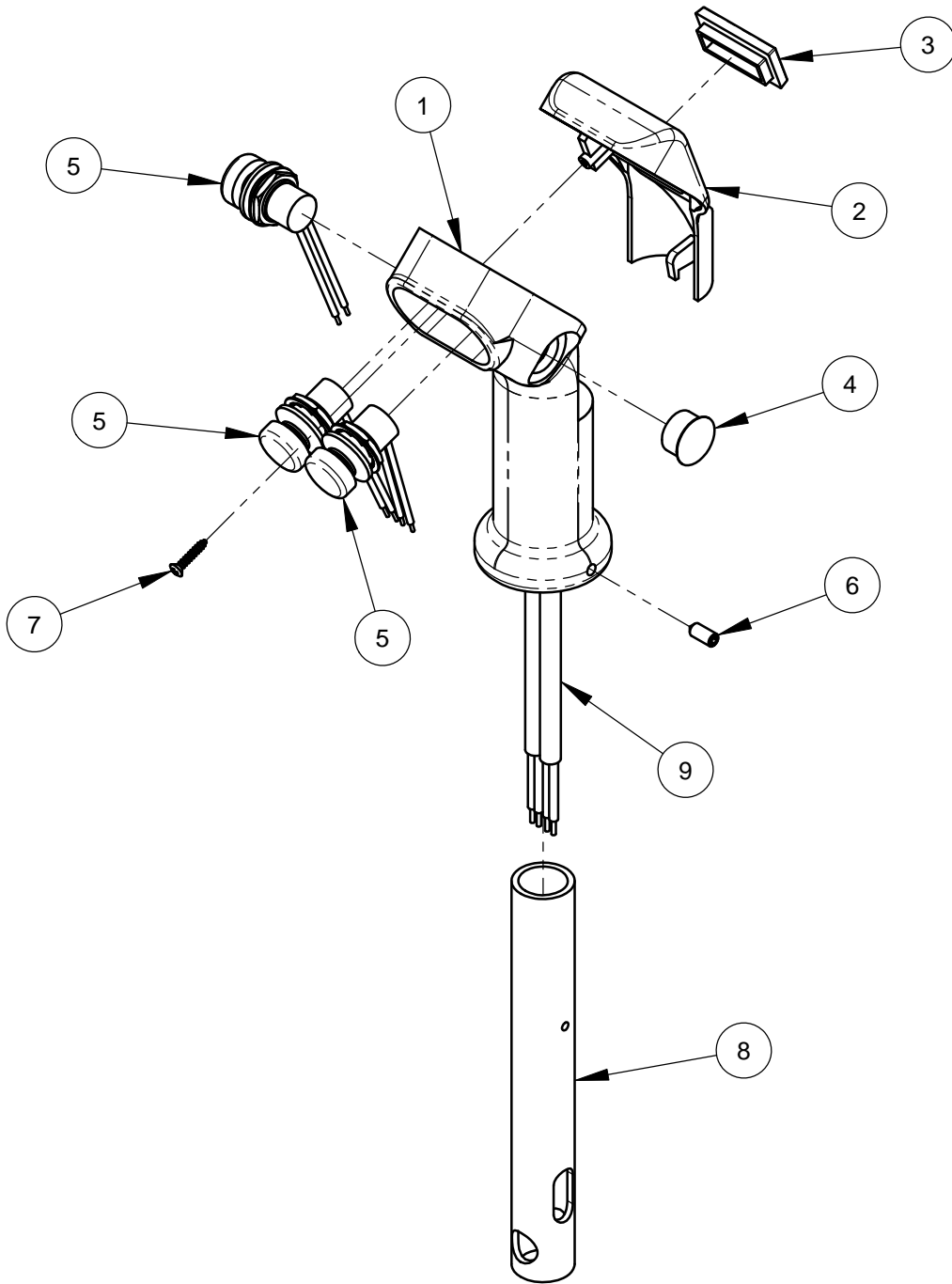
Speed Control Lever Assembly #6017162A



Speed Control Lever Assembly #6017162A

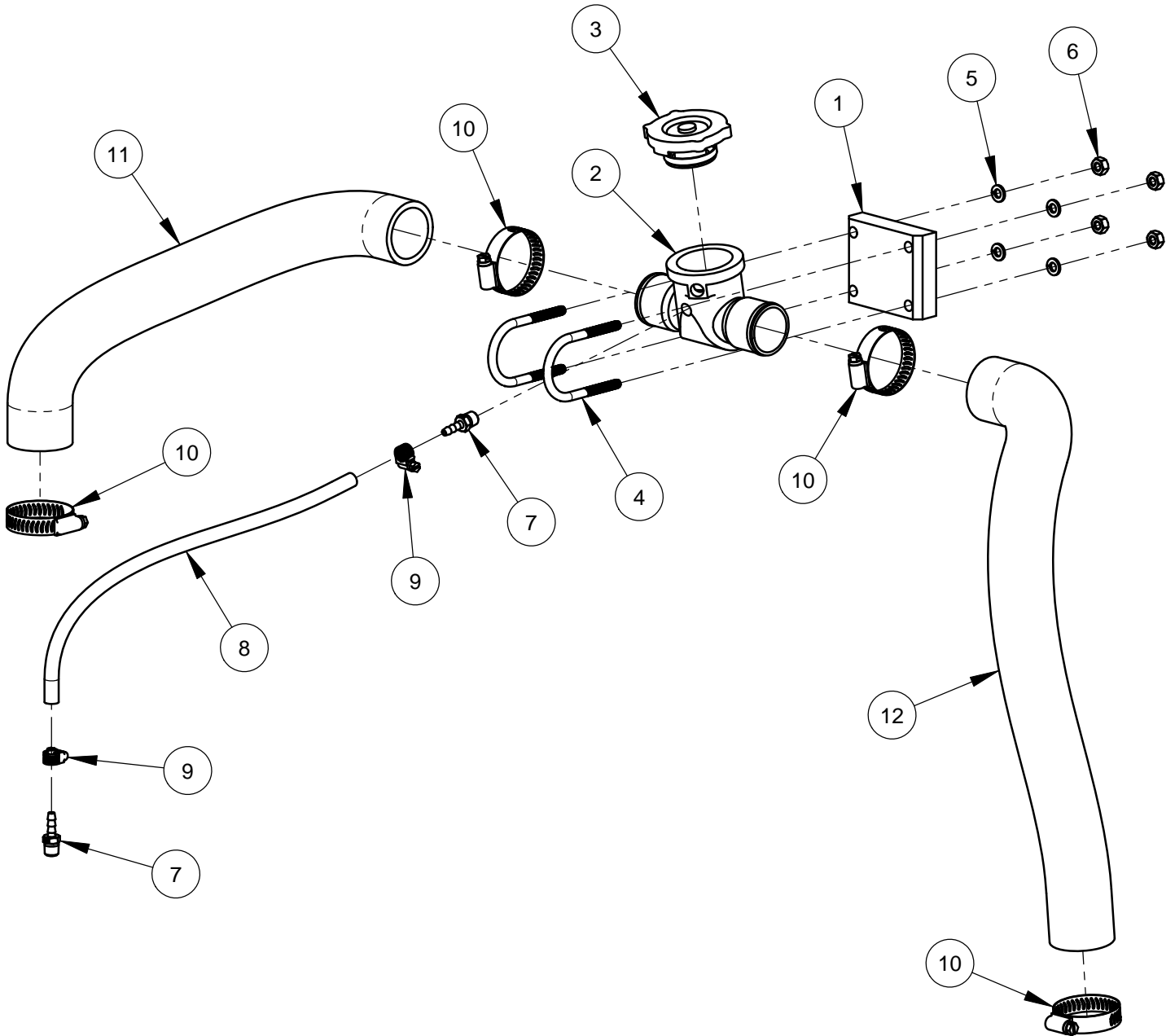
ITEM	PART NO.	QTY	DESCRIPTION
1	6017128	1	Speed Control Frame
2	6017023	1	Pivot Housing
3	2502384	1	Bearing Cup
4	2502383	1	Bearing Cone
5	2900825	1	Shoulder Screw, 3/4" x 1-1/4" (5/8-11)
6	2502385	1	Grease Cap
7	6017129	1	Swing Arm
8	2900978	3	Cap Screw, Flat Hd., #10-24 x 1/2"
9	6011234	1	Friction Disc, 3/4" x 2-1/2" x 3/8"
10	2900478	1	Belleville Washer, 5/8"
11	2900256	1	Jam Nut, 5/8-11
12	2900668	2	Cap Screw, Hex Hd., 5/16-18 x 7/8"
13	2900031	2	Lock Washer, 5/16" Split
14	2900022	2	Flat Washer, 5/16" SAE
15	2800876	1	Neutral Safety Switch
16	2502386	2	Spring Plunger M8
17	2900343	2	Hex Nut, M8
18	2900826	1	Shoulder Screw, 1/2" x 1-1/2" (3/8-16)
19	2900014	1	Flat Washer, 3/8" SAE
20	2900018	1	Lock Nut, 3/8-16 Nylon
21	2503781	1	Control Cable 41"
22	2500791	1	Rod End, #10-32 Female
23	2900188	2	Hex Nut, #10-32
24	2900688	1	Lock Nut, #10-32 Nylon
25	2900687	1	Machine Screw, Hex Hd., #10-32 x 1"
26	6017182	1	Control Grip Assembly
27	6017319	1	Limiter Plate (CE)

Control Grip Assembly #6017182



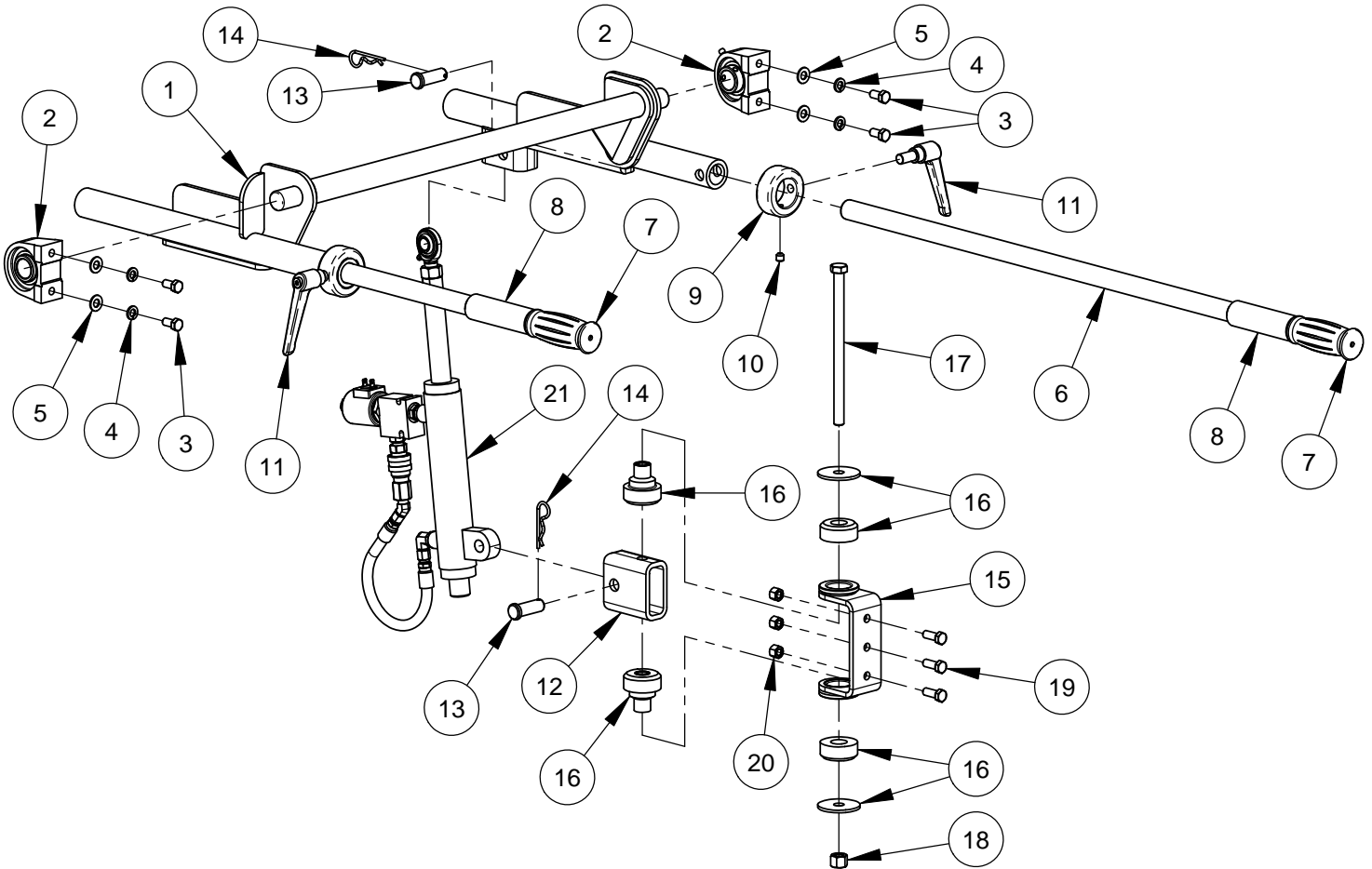
ITEM	PART NO.	QTY.	DESCRIPTION
1	2501280	1	Control Grip Body
2	2501281	1	Control Grip Cover
3	2500644	1	Plug, Rectangular
4	2500694	1	Plug, 5/8" Hole
5	2800373	3	Pushbutton Switch (B&W)
6	2900453	1	Set Screw, Soc. Hd., M5 x 12mm
7	2900452	1	Machine Screw, Oval Hd., #4 x 5/8"
8	6017025	1	Speed Control Tube
9	6017274	1	Control Grip Harness

Filler Neck Assembly #6017242



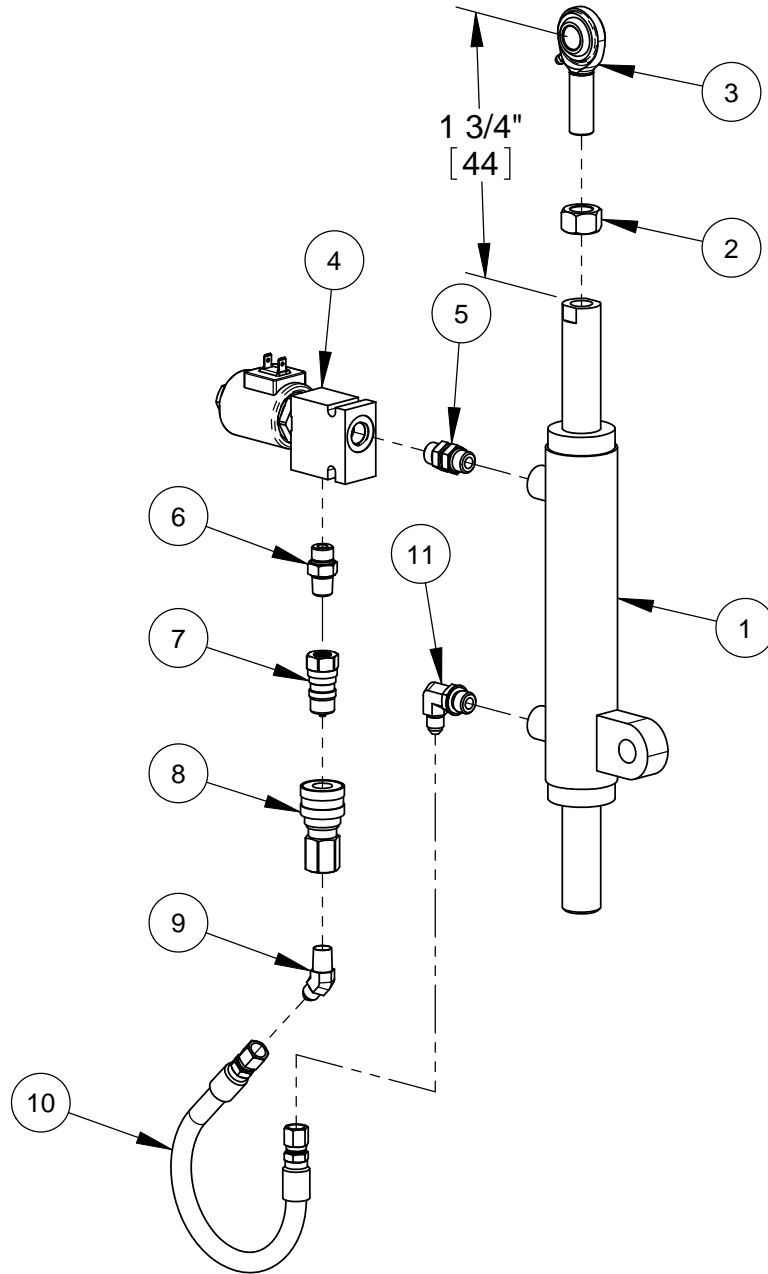
ITEM	PART NO.	QTY	DESCRIPTION
1	6017140	1	Filler Neck Spacer
2	6017283	1	Radiator In-Line Filler Neck
3	2502381	1	Radiator Cap
4	2900379	2	U-Bolt, 1" Pipe
5	2900024	4	Lock Washer, 1/4" Split
6	2900125	4	Hex Nut, 1/4-20
7	3200187	2	Fitting, 1/8" M. Pipe to 3/16" Hose Barb
8	6017277	1	Hose, 3/16" I.D. x 17"
9	3200062	2	Hose Clamp #4
10	3202142	4	Hose Clamp #24
11	3201977	1	Coolant Hose, 1-1/2"
12	3202001	1	Coolant Hose, 1-1/2"

Handle Bar Assembly #6017164



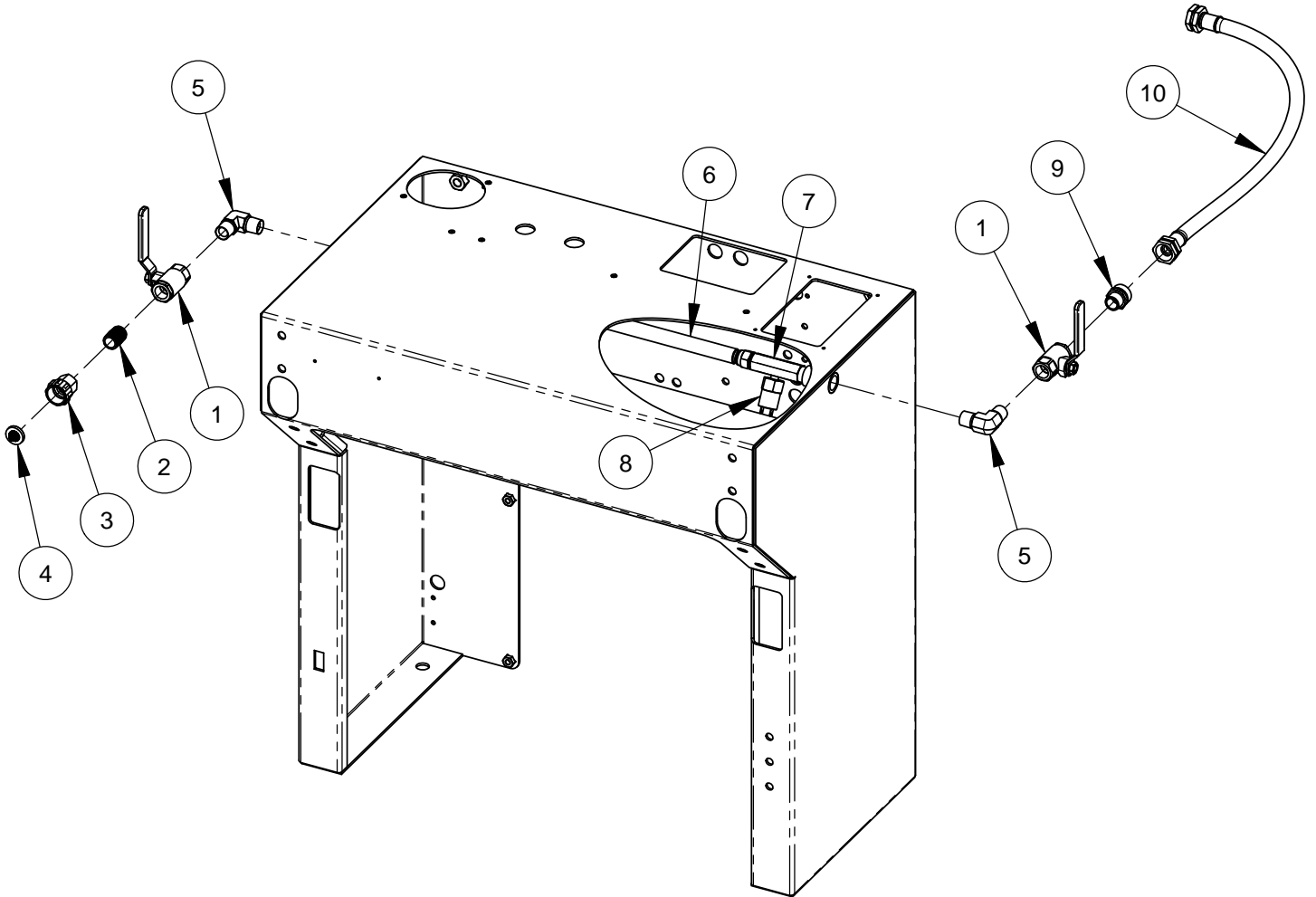
ITEM	PART NO.	QTY	DESCRIPTION
1	6017026	1	Handle Holder Frame
2	2500732	2	Pillow Block Bearing 1"
3	2900196	4	Cap Screw, Hex Hd., 3/8-16 x 3/4"
4	2900006	4	Lock Washer, 3/8" Split
5	2900014	4	Flat Washer, 3/8" SAE
6	6010014	2	Handle Bar, 36" Long
7	2500636	2	Handle Grip
8	2501955	2	Handle Stop Grip
9	6017027	2	Lock Collar
10	2900131	2	Set Screw, Soc. Hd., 3/8-16 x 3/8"
11	2502390	2	Adjustable Lever 1/2-13 x 1"
12	6017301	1	Isolator Mount Tube
13	2900828	2	Clevis Pin, 5/8" x 1-3/4"
14	2900829	2	Hairpin Cotter, 1/8" x 5/8" to 7/8"
15	6017302	1	Isolator Mount Bracket
16	2503789	2	Vibration Isolator
17	2900893	1	Cap Screw, Hex Hd., 1/2-13 x 8"
18	2900026	1	Lock Nut, 1/2-13 Nylon
19	2900005	3	Cap Screw, Hex Hd., 3/8-16 x 1"
20	2900018	3	Lock Nut, 3/8-16 Nylon
21	6017243	1	Double Rod Cylinder Assembly

Double Rod Cylinder Assembly #6017243



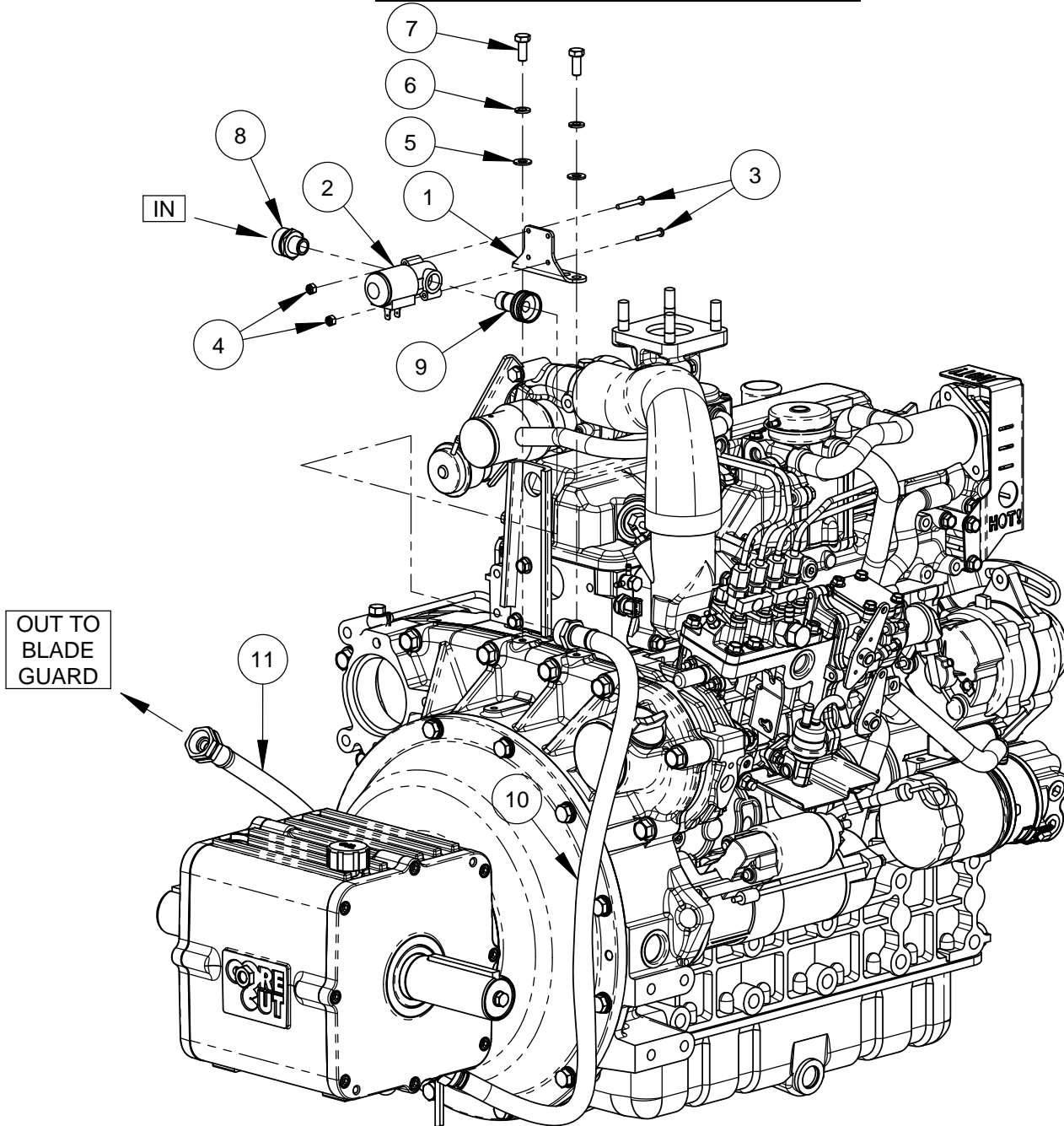
ITEM	PART NO.	QTY	DESCRIPTION
1	2503725	1	Cylinder, Double Rod
2	2900255	1	Hex Nut, 5/8-18
3	2503732	1	Rod End, 5/8-18 Male
4	3201660	1	Valve, Solenoid Blocking
5	3201661	1	Union, 3/8" to 3/8" O-Ring
6	3201662	1	Adapter, 3/8" O-Ring to 1/4" M. Pipe
7	3200381	1	Nipple, 1/4" Q.D.
8	3200382	1	Coupler, 1/4" Q.D.
9	3201663	1	Elbow, 1/4" M. Pipe to 1/4" M. JIC (45 deg)
10	6017196	1	Hose Assembly 1/4" x 14"
11	3200551	1	Elbow, 3/8" O-Ring to 1/4" M. JIC

Water Supply Assembly #6017265



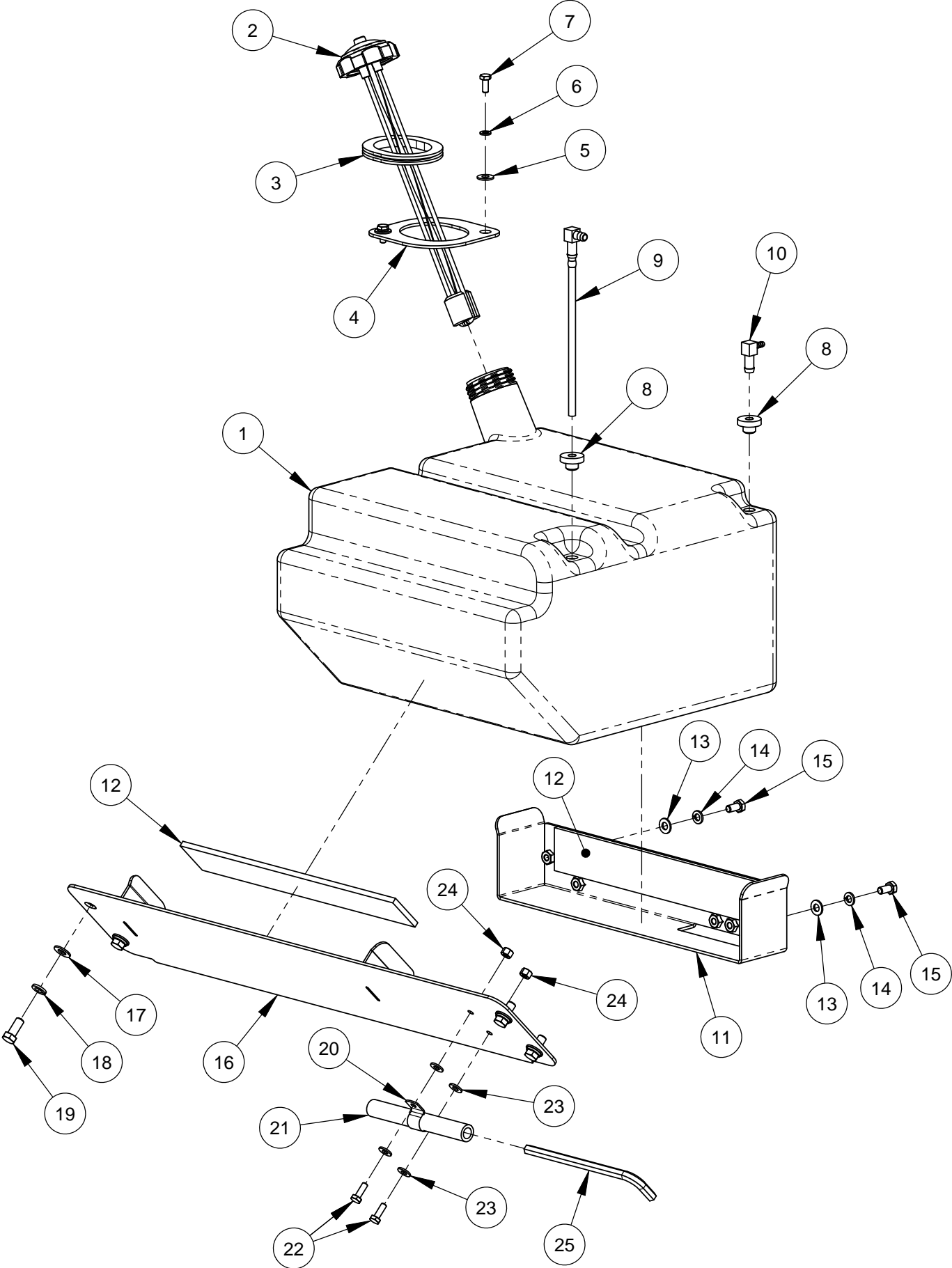
ITEM	PART NO.	QTY	DESCRIPTION
1	3200027	2	Water Valve
2	3200008	1	Close Nipple, 1/2" NPT
3	3200022	1	Fitting, 1/2" F. Pipe to 3/4" F. Garden
4	3200025	1	Hose Filter Washer
5	3200166	2	Elbow, 1/2" Male Pipe
6	6017239	1	Water Hose Assembly 23"
7	6017240	1	Adapter, 1/2" JIC to 1/2" Pipe
8	2800060	1	Water Pressure Safety Switch
9	3200155	1	Fitting, 1/2" M. Pipe to 3/4" M. Garden
10	6040110	1	Water Hose Assembly 60"

Water Valve Assembly #6017266



ITEM	PART NO.	QTY	DESCRIPTION
1	6017235	1	Valve Bracket
2	3200775	1	Water Solenoid Valve
3	2900864	2	Machine Screw, Pan Hd., #8-32 x 1-1/4"
4	2900115	2	Lock Nut, #8-32 Nylon
5	2900022	2	Flat Washer, 5/16" SAE
6	2900031	2	Lock Washer, 5/16" Split
7	2900329	2	Capscrew, Hex Hd., M8 x 20mm
8	3200002	1	Fitting, 3/8" M. Pipe to 3/4" M. Garden
9	3202081	1	Fitting, 3/4" F. Garden to 3/8" M. Pipe
10	6017236	1	Water Hose Assembly 32"
11	6017237	1	Water Hose Assembly 54"

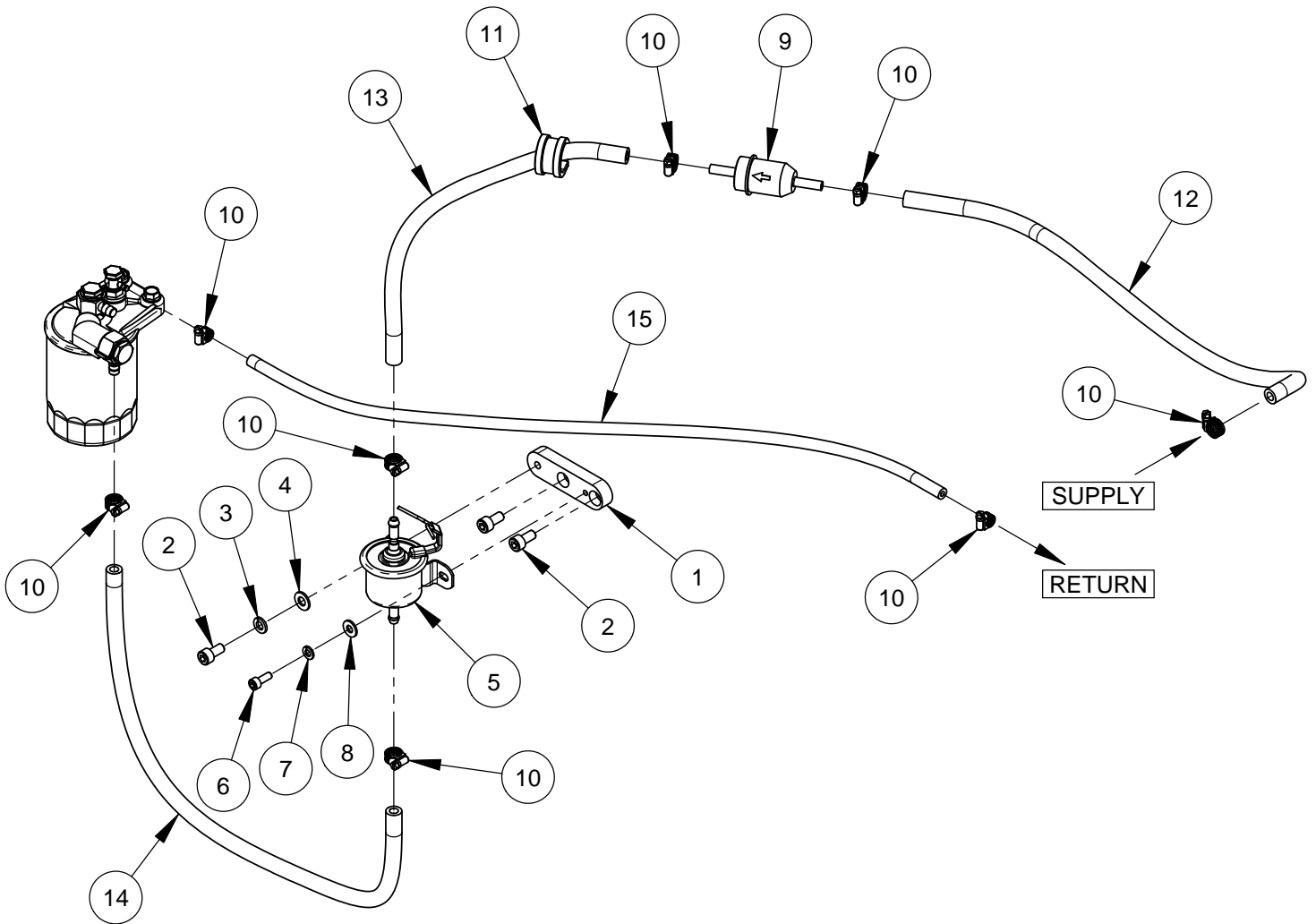
Fuel Tank Assembly #6017067



Fuel Tank Assembly #6017067

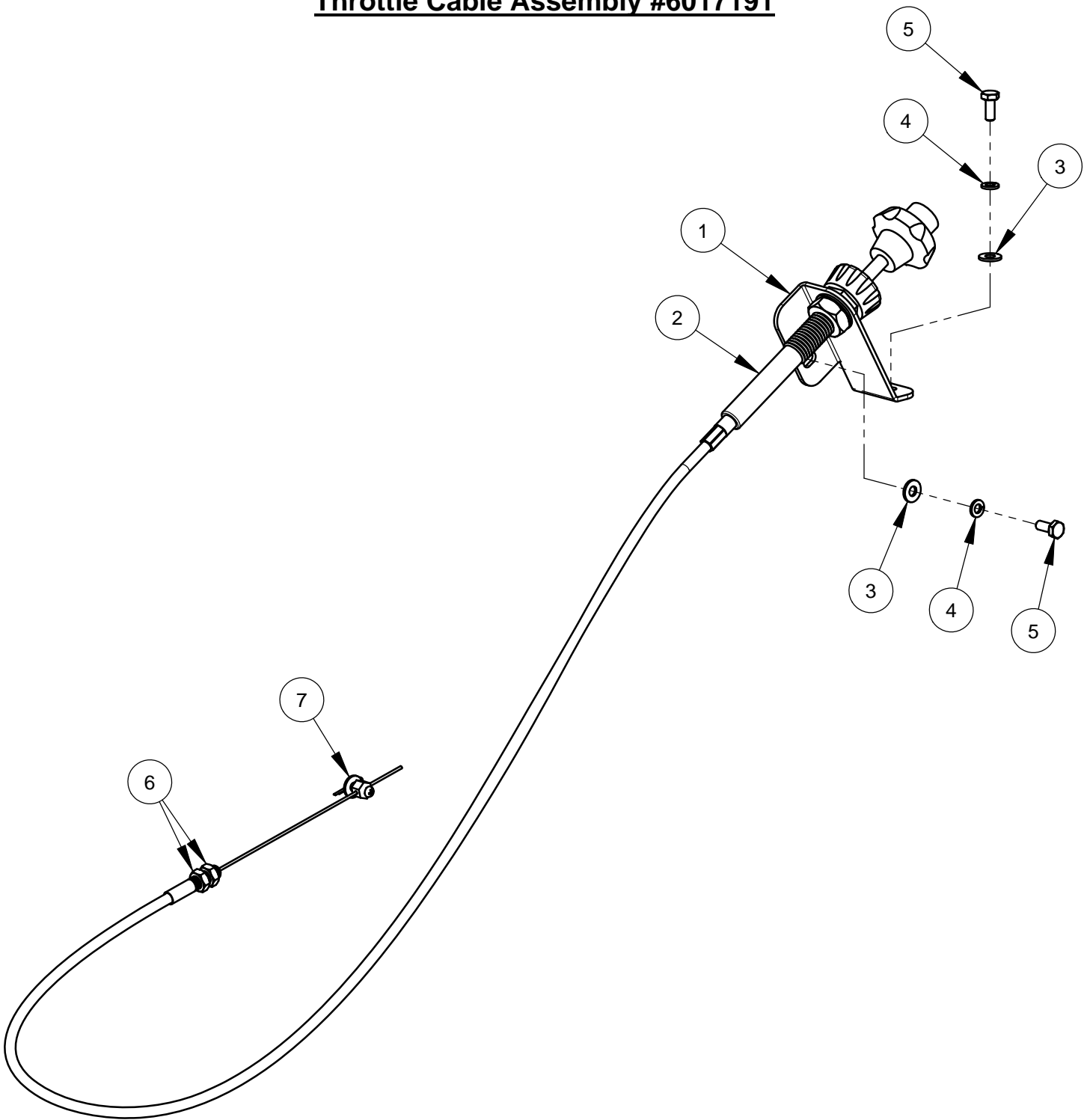
ITEM	PART NO.	QTY	DESCRIPTION
1	6017040	1	Fuel Tank
2	2504786	1	Fuel Tank Cap & Gauge
3	2503706	1	Fuel Tank Grommet
4	6017043	1	Filler Flange Plate
5	2900126	2	Flat Washer, 1/4" USS
6	2900024	2	Lock Washer, 1/4" Split
7	2900023	2	Cap Screw, Hex Hd., 1/4-20 x 5/8"
8	2501215	2	Bushing, Rubber, Tank
9	2503708	1	Tank Elbow w/Pick-Up Tube
10	2503709	1	Tank Elbow, 3/16" Barb
11	6017041	1	Tank Tray
12	6017015	2	Fuel Tank Pad 13-1/2"
13	2900022	2	Flat Washer, 5/16" SAE
14	2900031	2	Lock Washer, 5/16" Split
15	2900883	2	Cap Screw, Hex Hd., 5/16-18 x 5/8"
16	6017042	1	Access Panel
17	2900014	4	Flat Washer, 3/8" SAE
18	2900006	4	Lock Washer, 3/8" Split
19	2900621	4	Cap Screw, Hex Hd., 3/8-16 x 7/8"
20	3201887	1	Hose Clamp
21	6017238	1	Hose, 1/2" I.D. x 6"
22	2900144	2	Cap Screw, Hex Hd., 1/4-20 x 3/4"
23	2900009	4	Flat Washer, 1/4" SAE
24	2900010	2	Lock Nut, 1/4-20 Nylon
25	2501923	1	L-Key, 3/8" Hex

Fuel Supply Assembly #6017186



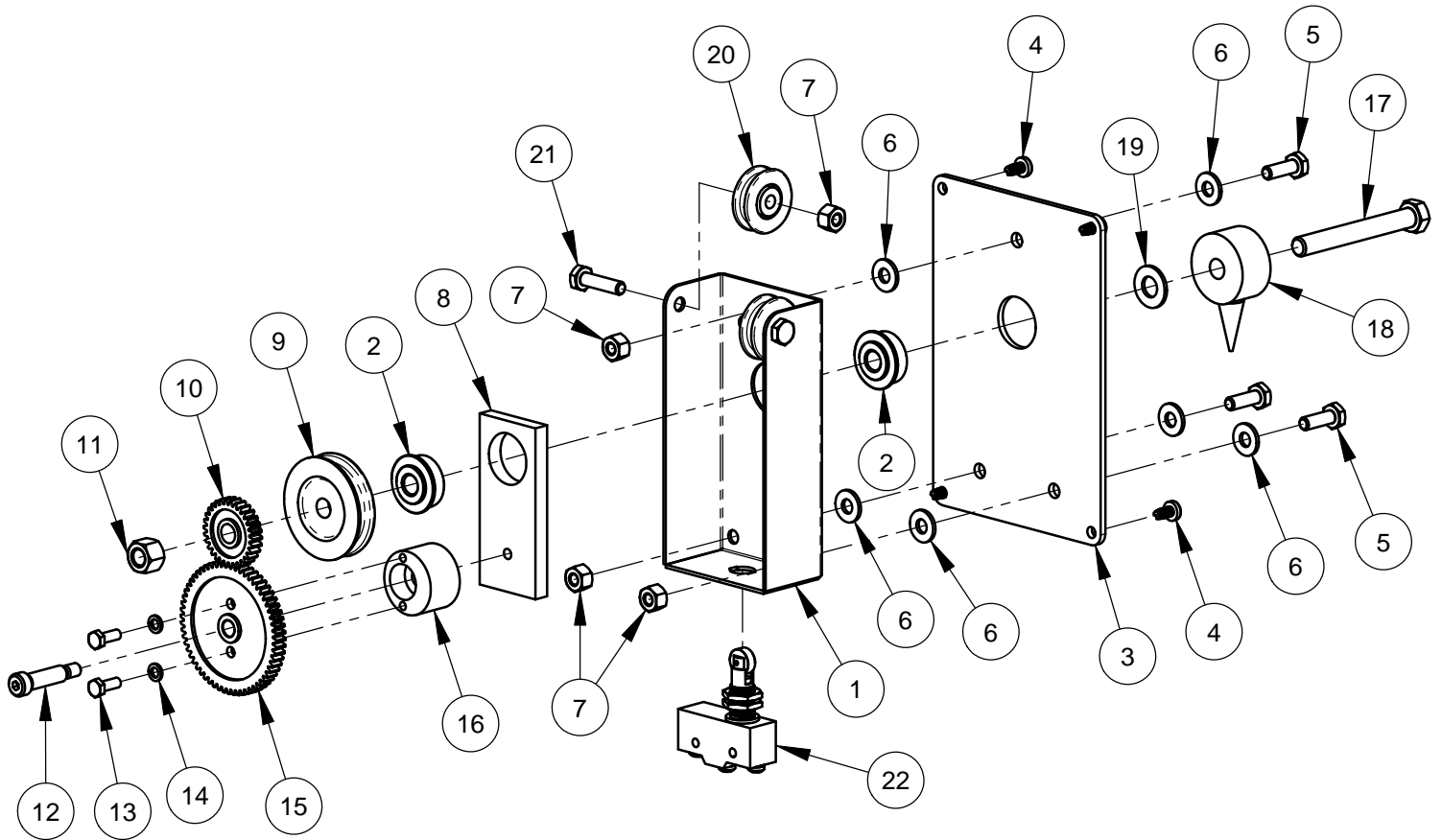
ITEM	PART NO.	QTY.	DESCRIPTION
1	6017146	1	Fuel Pump Mount Bar
2	2900267	3	Cap Screw, Soc. Hd., M8 x 16mm
3	2900031	1	Lock Washer, 5/16" Split
4	2900022	1	Flat Washer, 5/16" SAE
5	2705005	1	Electric Fuel Pump
6	2900553	1	Cap Screw, Soc. Hd., M6 x 16mm
7	2900024	1	Lock Washer, 1/4" Split
8	2900009	1	Flat Washer, 1/4" SAE
9	2501785	1	Filter, Diesel Fuel
10	3200062	8	Hose Clamp #4
11	3201729	1	Hose Clamp, 1" x 3/4" Wide
12	6017044	1	Fuel Supply Hose, 5/16" I.D. x 20"
13	6017297	1	Fuel Hose, 5/16" I.D. x 14"
14	6017298	1	Fuel Hose, 5/16" I.D. x 22"
15	6017045	1	Fuel Return Hose, 3/16" I.D. x 30"

Throttle Cable Assembly #6017191



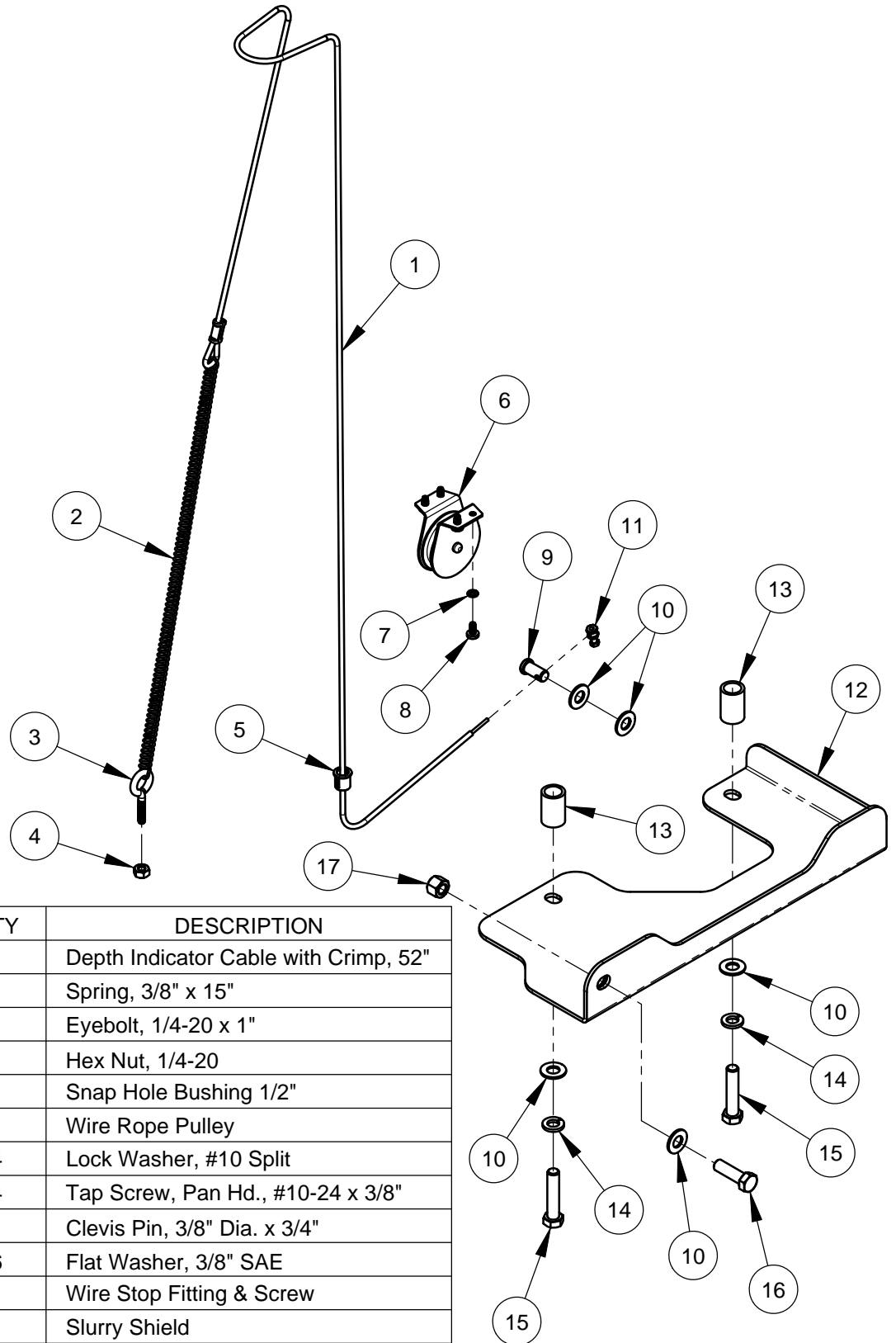
ITEM	PART NO.	QTY.	DESCRIPTION
1	6017132	1	Throttle Bracket
2	2503782	1	Vernier Throttle Cable
3	2900009	2	Flat Washer, 1/4" SAE
4	2900024	2	Lock Washer, 1/4" Split
5	2900023	2	Cap Screw, Hex Hd., 1/4-20 x 5/8"
6	2900696	2	Jam Nut, 3/8-24
7	2502180	1	Wire Stop Pivot Assembly

Depth Indicator Assembly #6017060



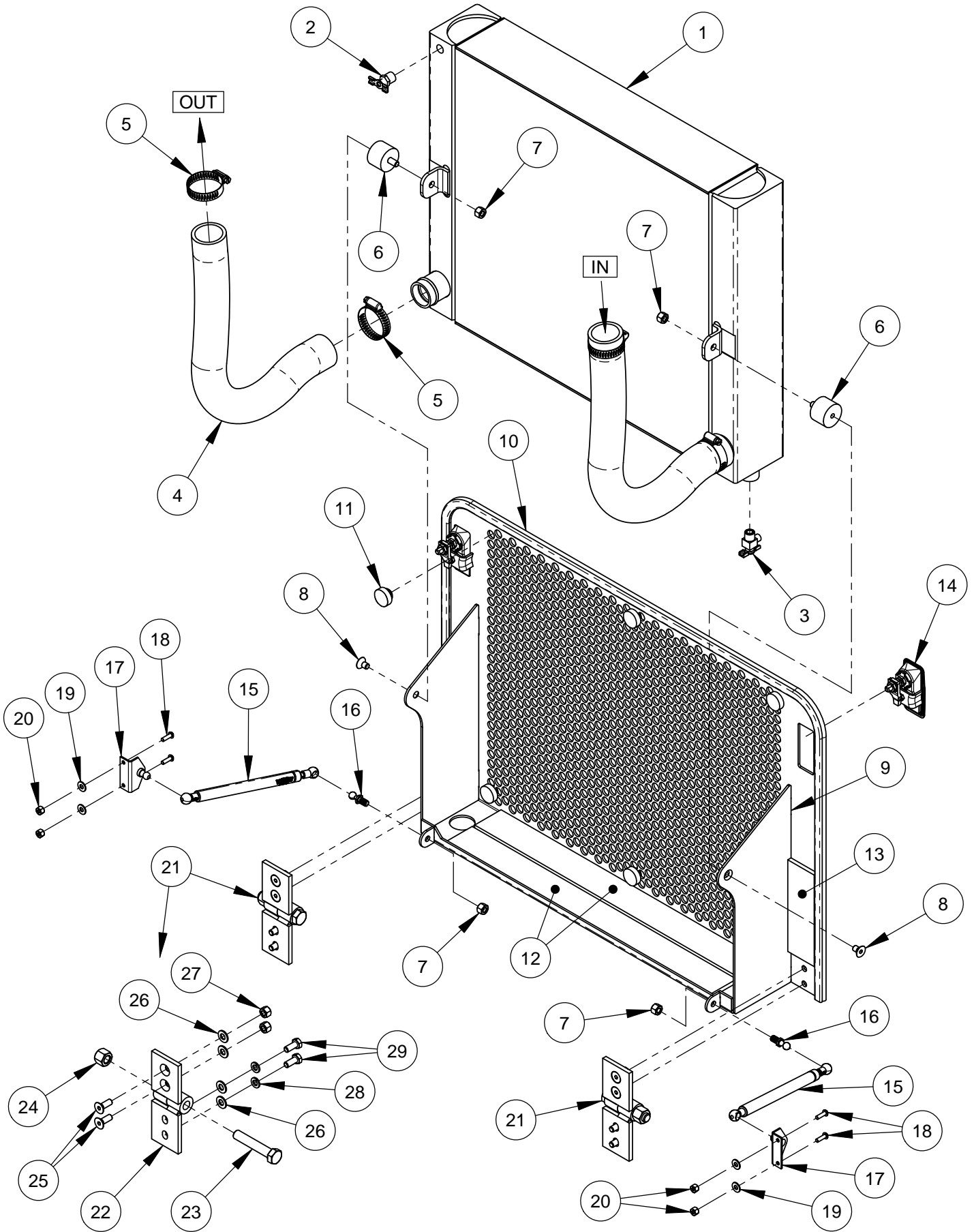
ITEM	PART NO.	QTY.	DESCRIPTION
1	6017031	1	Depth Indicator Bracket
2	2500145	2	Flange Bearing, 3/8"
3	6017032	1	Depth Indicator Panel
4	2900021	4	Tap Screw, Pan Hd., #10-24 x 3/8"
5	2900144	3	Cap Screw, Hex Hd., 1/4-20 x 3/4"
6	2900009	6	Flat Washer, 1/4" SAE
7	2900010	5	Lock Nut, 1/4-20 Nylon
8	6017033	1	Gear Set Plate
9	6017147	1	Cable Pulley
10	6017034	1	Gear, 30 Tooth
11	2900018	1	Lock Nut, 3/8-16 Nylon
12	2900855	1	Shoulder Screw, 5/16" x 1" (1/4-20)
13	2900448	2	Machine Screw, Hex Hd., #10-32 x 1/2"
14	2900038	2	Lock Washer, #10 Split
15	6017035	1	Gear, 60 Tooth
16	6017036	1	Cam
17	2900035	1	Cap Screw, Hex Hd., 3/8-16 x 3"
18	6010091	1	Depth Indicator Pointer
19	2900014	1	Flat Washer, 3/8" SAE
20	2500155	2	Cable Pulley, 1-1/4"
21	2900008	2	Cap Screw, Hex Hd., 1/4-20 x 1"
22	2800609	1	Limit Switch, Roller Plunger

Depth Indicator Cable Assembly #6017185A



ITEM	PART NO.	QTY	DESCRIPTION
1	6017149	1	Depth Indicator Cable with Crimp, 52"
2	2500196	1	Spring, 3/8" x 15"
3	2900548	1	Eyebolt, 1/4-20 x 1"
4	2900125	1	Hex Nut, 1/4-20
5	2503731	1	Snap Hole Bushing 1/2"
6	2503724	1	Wire Rope Pulley
7	2900038	4	Lock Washer, #10 Split
8	2900021	4	Tap Screw, Pan Hd., #10-24 x 3/8"
9	2900261	1	Clevis Pin, 3/8" Dia. x 3/4"
10	2900014	6	Flat Washer, 3/8" SAE
11	2501189	1	Wire Stop Fitting & Screw
12	6017233	1	Slurry Shield
13	6048127	2	Spacer Tube, 1-1/8" Long
14	2900006	2	Lock Washer, 3/8" Split
15	2900047	2	Cap Screw, Hex Hd., 3/8-16 x 1-3/4"
16	2900013	1	Cap Screw, Hex Hd., 3/8-16 x 1-1/4"
17	2900018	1	Lock Nut, 3/8-16 Nylon

Radiator Assembly #6017055



Radiator Assembly #6017055

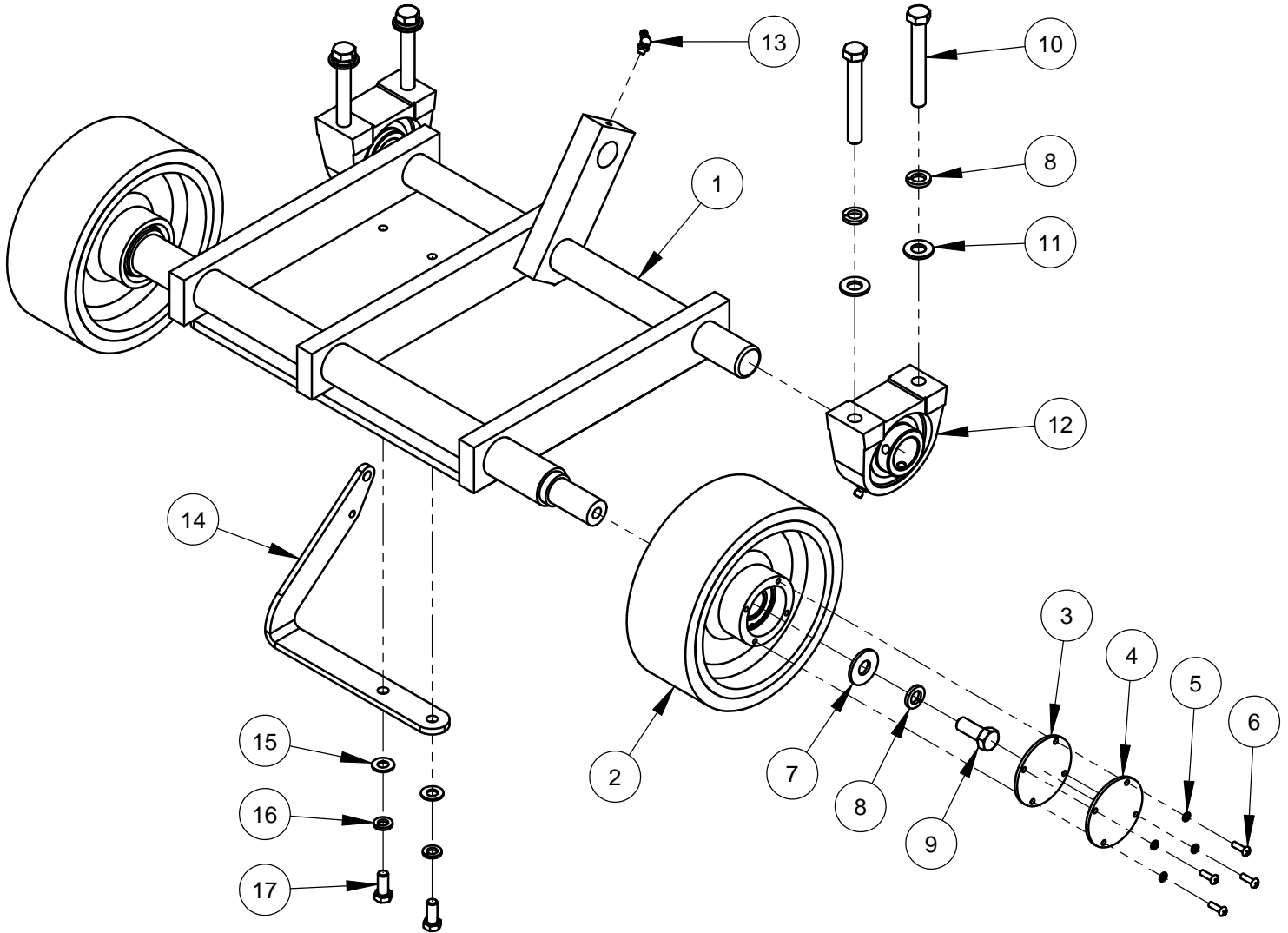
ITEM	PART NO.	QTY	DESCRIPTION
1	2502190	1	Radiator
2	3200035	1	Petcock, 1/4 NPT
3	3202143	1	Drain Valve, 1/4" NPT
4	3202141	2	Radiator Hose, 1-1/2" x 22"
5	3202142	4	Hose Clamp #24
6	2502191	2	Vibration Isolator, 5/16-18
7	2900039	4	Lock Nut, 5/16-18 Nylon
8	2900812	2	Cap Screw, Flat Hd., 5/16-18 x 1/2"
9	6017012	1	Radiator Door
10	6017013	1	Edge Trim Seal 65"
11	2502389	6	Button Bumper
12	6017014	2	Radiator Pad 20"
13	6017267	1	Rubber Strip 6"
14	2502196	2	Latch Assembly
15	2502374	2	Damper, Extension
16	2502376	2	Ball Stud 10mm
17	2501144	2	Mounting Ball L-Bracket
18	2900159	4	Machine Screw, Rd. Hd., #10-24 x 5/8"
19	2900016	4	Flat Washer, #10 USS
20	2900017	4	Lock Nut, #10-24 Nylon
21	6017016	2	Hinge Assembly

ITEM	PART NO.	QTY	DESCRIPTION
22	6017017	1	Radiator Door Hinge
23	2900105	1	Cap Screw, Hex Hd., 1/2-13 x 2-3/4"
24	2900026	1	Lock Nut, 1/2-13 Nylon
25	2900612	2	Cap Screw, Flat Hd., 5/16-18 x 7/8"
26	2900022	4	Flat Washer, 5/16" SAE
27	2900039	2	Lock Nut, 5/16-18 Nylon
28	2900031	2	Lock Washer, 5/16" Split
29	2900019	2	Cap Screw, Hex Hd., 5/16-18 x 3/4"

Frame Base Assembly #6017180

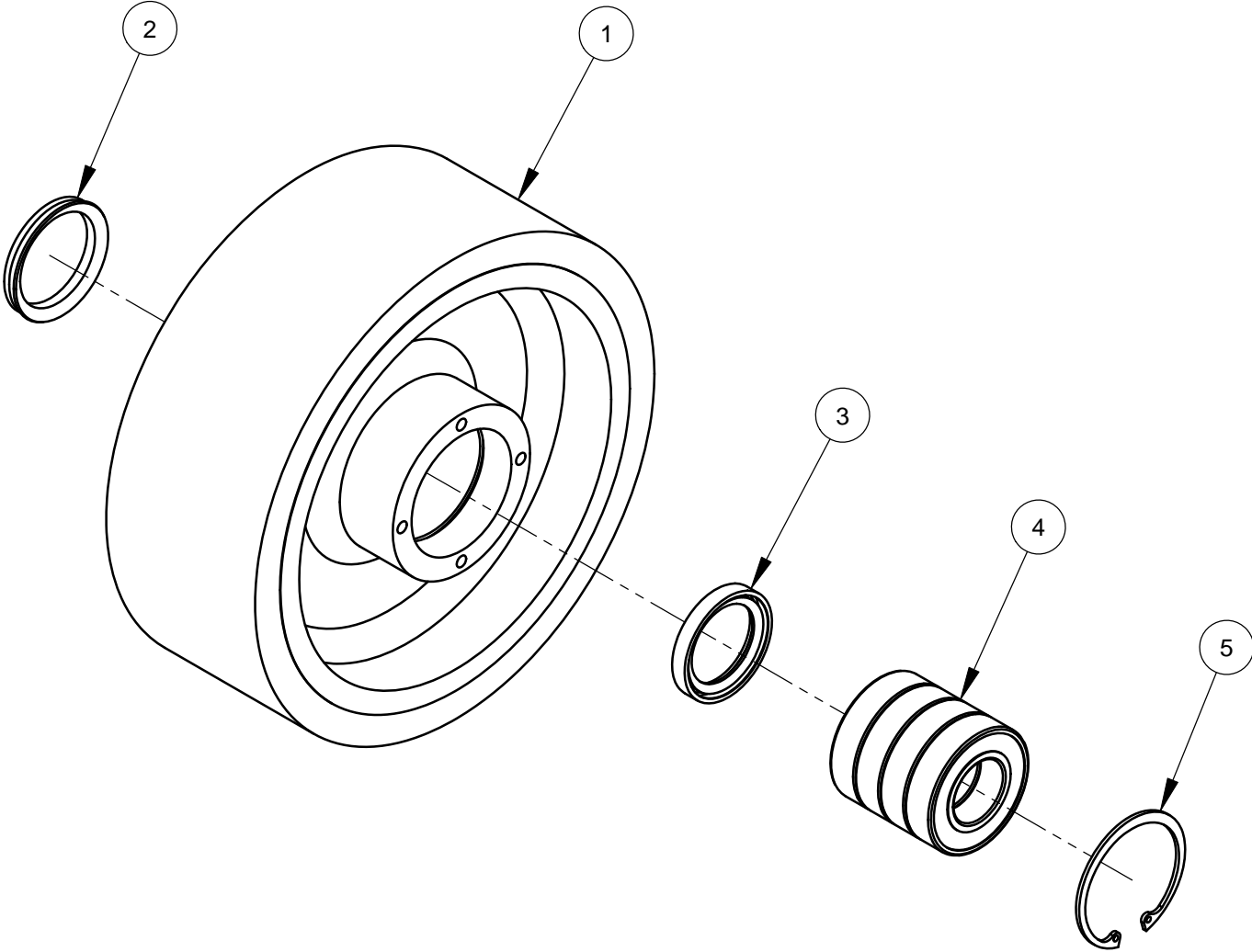
ITEM	PART NO.	QTY	DESCRIPTION
1	6017152	1	Frame Base Weldment
2	6017157	2	Skid Plate
3	6017158	1	Skid Guard
4	2900499	8	Cap Screw, Hex Hd., 1/2-13 x 1-1/2"
5	2900084	8	Lock Washer, 1/2" Split
6	2900058	8	Flat Washer, 1/2" SAE
7	2504368	2	Tie Down
8	2900046	4	Carriage Bolt, 3/8-16 x 1-1/4"
9	2900018	4	Lock Nut, 3/8-16 Nylon
10	2900541	2	Tap Bolt, Hex Hd., 1/2-13 x 2-3/4"
11	2900037	2	Hex Nut, 1/2-13
12	6017323	2	Rail Shoe
13	2900030	4	Cap Screw, Hex Hd., 5/16-18 x 2"
14	2900039	4	Lock Nut, 5/16-18 Nylon
15	2900164	2	Cap Screw, Flange Hd., 5/8-11 x 1-1/2"
16	2900721	2	Flat Washer, 5/8" USS Hardened
17	2900135	2	Lock Nut, 5/8-11 Nylon
18	2503798	1	Foot Rest, Folding
19	2900031	2	Lock Washer, 5/16" Split
20	2900138	2	Cap Screw, Hex Hd., 5/16-18 x 1"
21	2900013	1	Cap Screw, Hex Hd., 3/8-16 x 1-1/4"
22	2900033	1	Hex Nut, 3/8-16
23	6010683	1	Rear Pointer Rod
24	2503742	1	Grommet, 11/16" I.D.
25	6010645	1	Shaft/Flange Guard (Wide)
26	2900156	1	Lock Pin with Ring
27	2503791	1	Plug, 1-1/4" Hole
28	6018124	1	Transmission Mounting Bracket
29	6017159	1	Belt Guard
30	6017339	2	Rubber Strip 4"
31	6017338	2	Swing Cover Plate
32	2900246	2	Shoulder Screw, 5/16" x 1/4" (1/4-20)
33	2900252	2	Belleville Washer, 5/16"
34	2900010	2	Lock Nut, 1/4-20 Nylon
35	2900503	4	Wing Nut, 3/8-16
36	2900006	8	Lock Washer, 3/8" Split
37	2900473	4	Flat Washer, 3/8" USS
38	2900357	4	Cap Screw, Soc. Hd., 3/8-16 x 1-1/2"

Front Axle Assembly #6017169



ITEM	PART NO.	QTY	DESCRIPTION
1	6017124	1	Front Axle Weldment
2	6010581	2	Wheel Assembly, 8" Front
3	2501393	2	Wheel Cover Gasket
4	6010536	2	Wheel Cover
5	2900038	8	Lock Washer, #10 Split
6	2900159	8	Machine Screw, Rd. Hd., #10-24 x 5/8"
7	2900127	2	Flat Washer, 1/2" USS
8	2900084	6	Lock Washer, 1/2" Split
9	2900025	2	Cap Screw, Hex Hd., 1/2-13 x 1-1/4"
10	2900400	4	Cap Screw, Hex Hd., 1/2-13 x 3-3/4"
11	2900058	4	Flat Washer, 1/2" SAE
12	2500158	2	Pillow Block Bearing 1-1/4"
13	2900184	1	Grease Fitting, 1/4" NPT x 45 degree
14	6017144	1	Front Axle Arm
15	2900014	2	Flat Washer, 3/8" SAE
16	2900006	2	Lock Washer, 3/8" Split
17	2900621	2	Cap Screw, Hex Hd., 3/8-16 x 7/8"

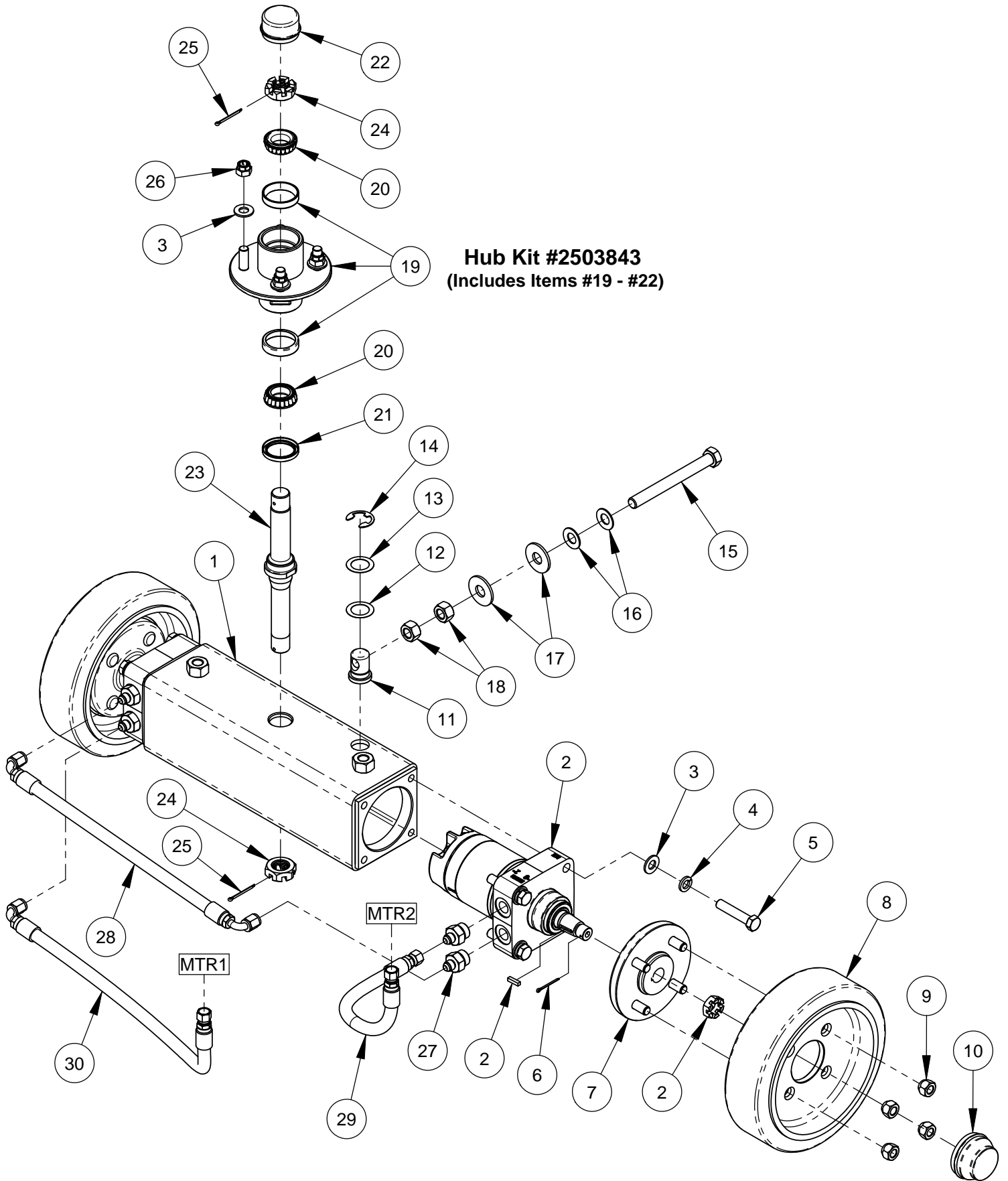
Front Wheel Assembly #6010581



ITEM	PART NO.	QTY.	DESCRIPTION
1	2501390	1	Wheel, 8" Front
2	2501428	1	Seal, 1-1/2" V-Ring
3	2501391	1	Seal, 1-1/4" x 1-3/4" x 1/4"
4	2501418	4	Ball Bearing, 1" x 2" x 1/2"
5	2501392	1	Retaining Ring, 2" Internal

Rear Axle Assembly #6017304

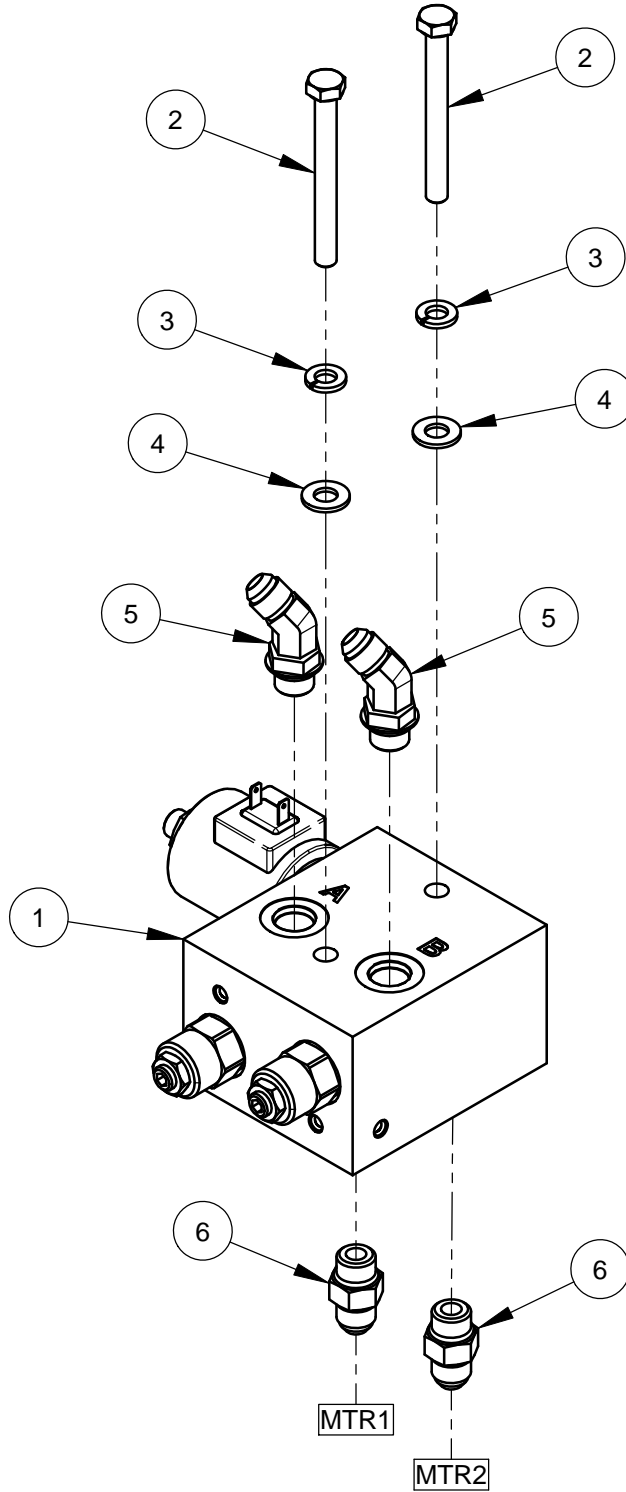
Hub Kit #2503843
(Includes Items #19 - #22)



Rear Axle Assembly #6017304

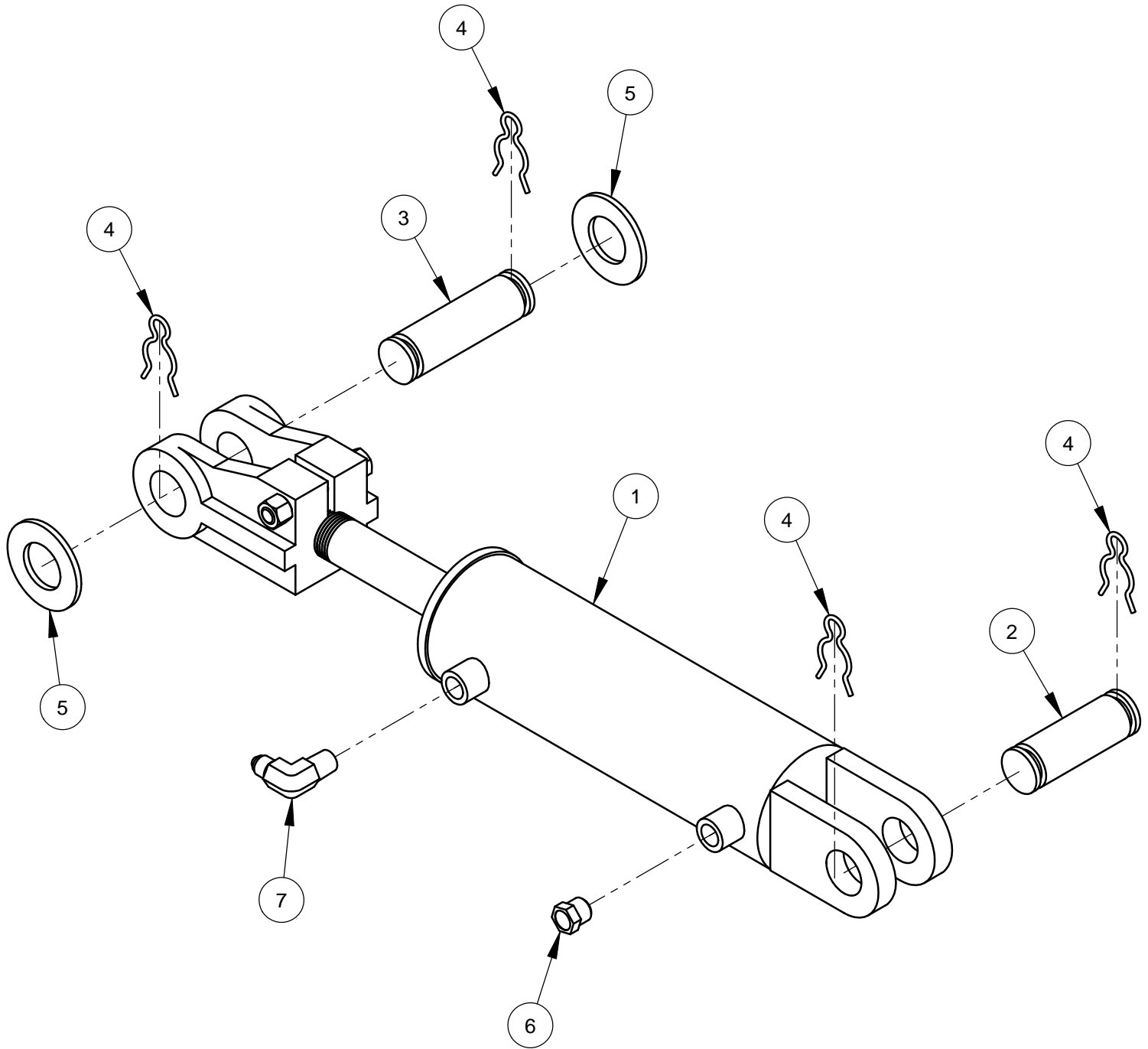
ITEM	PART NO.	QTY	DESCRIPTION
1	6017305	1	Motor Mount Tube Weldment
2	2600553	2	White Wheel Motor
	6048018	1	Key, 3/16" Sq. x 3/4"
	2704858	1	Hex Slotted Nut, 3/4-28
3	2900058	12	Flat Washer, 1/2" SAE
4	2900084	8	Lock Washer, 1/2" Split
5	2900811	8	Cap Screw, Hex Hd., 1/2-13 x 2-1/2"
6	2900796	2	Cotter Pin, 3/32" x 1-1/4"
7	2502175	2	Wheel Hub
8	2502174	2	Wheel, 10" Rear
9	2900975	8	Lug Nut, 1/2-20
10	2502176	2	Hub Cap
11	6017004	1	Swivel, 5/8-11
12	2900938	1	Shim .010" Thick
13	2900940	1	Shim .015" Thick
14	2501224	1	E-Ring, 1"
15	2900907	1	Tap Bolt, Hex Hd., 5/8-11 x 6"
16	2900478	2	Belleville Washer, 5/8"
17	2900721	2	Flat Washer, 5/8" USS Hardened
18	2900112	2	Hex Nut, 5/8-11
19	2503794	1	Hub with Bearing Cups
	2501222	2	Tapered Bearing Cup
20	2503766	2	Tapered Bearing Cone, 1-1/16"
21	2503767	1	Seal, Double Lip 1-1/2" ID
22	2503795	1	Grease Cap 2"
23	6017322	1	Kingpin
24	2707220	2	Hex Nut, 1"-14 Slotted
25	2900950	2	Cotter Pin, 1/8" x 1-1/2"
26	2900833	4	Lock Nut, 1/2-20 Flex Top
27	3201724	4	Adapter, 5/8" O-Ring to 3/8" M. JIC
28	6017020	1	Hose Assembly, 3/8" x 18-1/2"
29	6017295	1	Hose Assembly 3/8" x 14"
30	6017296	1	Hose Assembly 3/8" x 25"

Valve Block Assembly #6017171



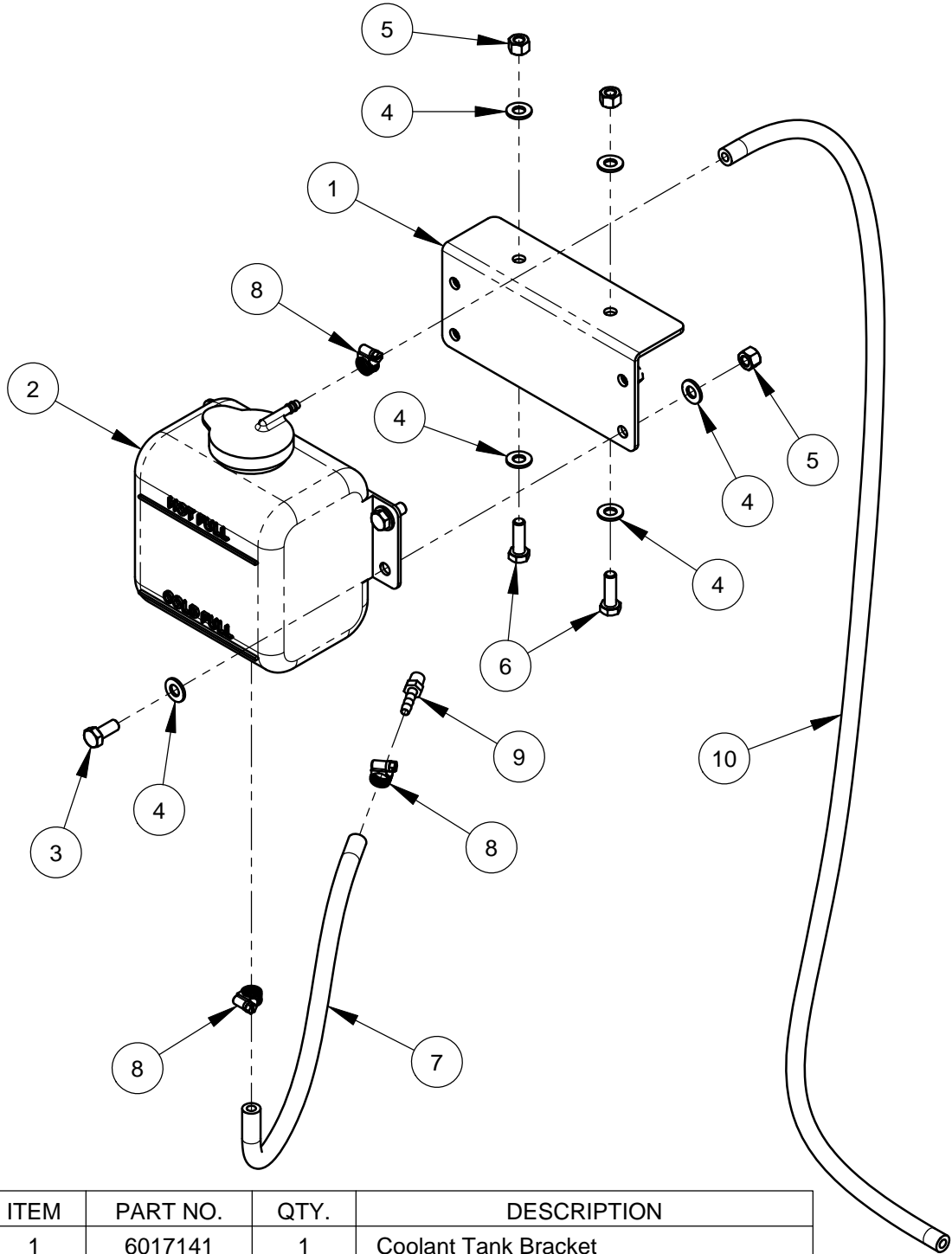
ITEM	PART NO.	QTY.	DESCRIPTION
1	3201664	1	Valve Block Unit
2	2900248	2	Cap Screw, Hex Hd., 5/16-18 x 3"
3	2900031	2	Lock Washer, 5/16" Split
4	2900022	2	Flat Washer, 5/16" SAE
5	3201981	2	Elbow, 3/8" O-Ring to 3/8" M. JIC (45 Deg)
6	3200263	2	Adapter, 3/8" O-Ring to 3/8" M. JIC

Hydraulic Cylinder Assembly #6017103



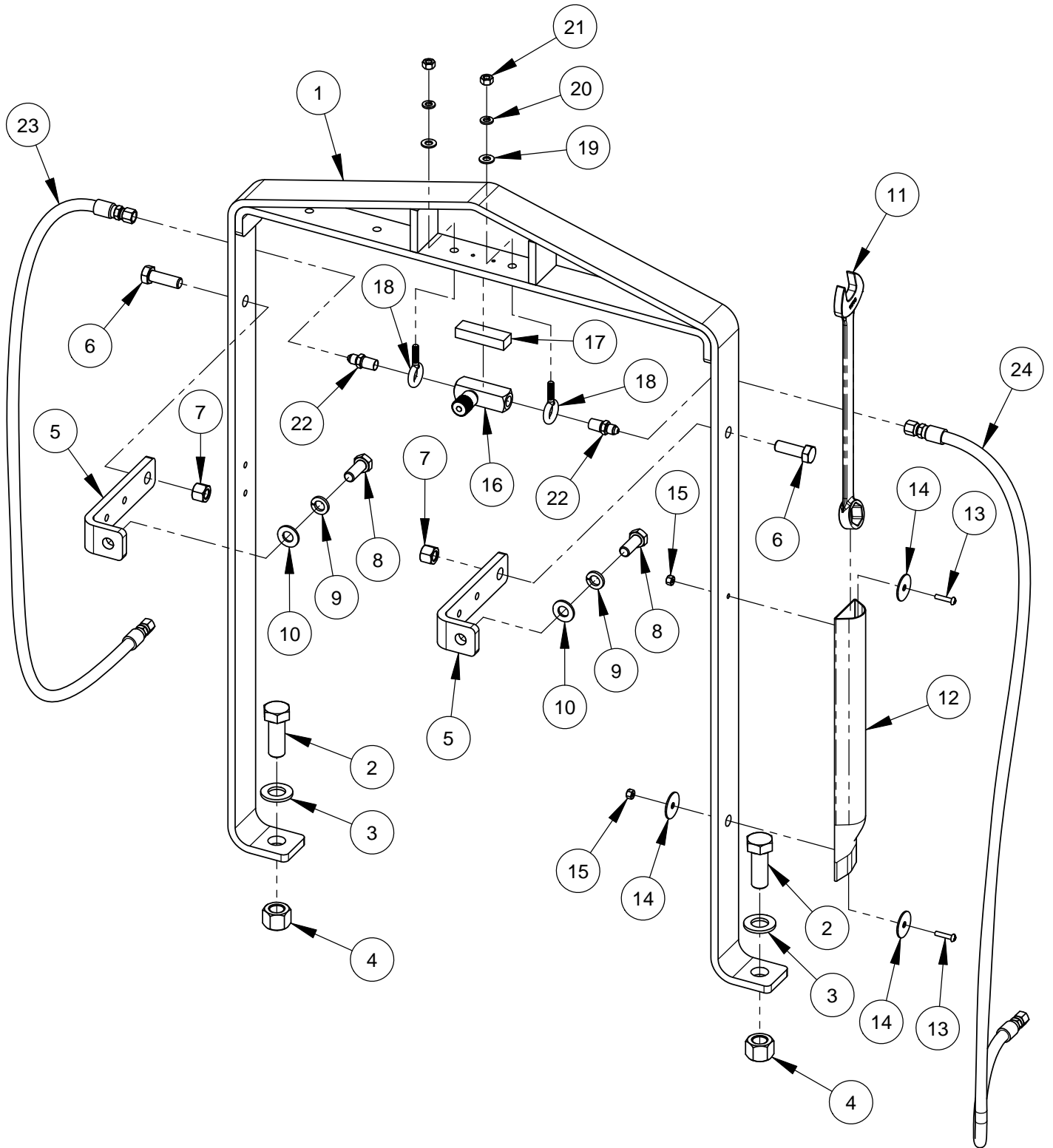
ITEM	PART NO.	QTY	DESCRIPTION
1	2500555	1	Hydraulic Cylinder
2	6010031	1	Cylinder Pin, 3"
3	6010119	1	Cylinder Pin, 3-1/2"
4	2900064	4	Hair Pin Cotter, 3/4"
5	2900295	2	Flat Washer, 1" SAE
6	3200067	1	Breather Vent, 1/4" NPT
7	3200057	1	Elbow, 1/4" M. Pipe to 1/4" M. JIC

Coolant Tank Assembly #6017187



ITEM	PART NO.	QTY.	DESCRIPTION
1	6017141	1	Coolant Tank Bracket
2	2503716	1	Coolant Recovery Tank & Cap
3	2900019	4	Cap Screw, Hex Hd., 5/16-18 x 3/4"
4	2900022	12	Flat Washer, 5/16" SAE
5	2900039	6	Lock Nut, 5/16-18 Nylon
6	2900138	2	Cap Screw, Hex Hd., 5/16-18 x 1"
7	6017279	1	Hose, 1/4" I.D. x 14"
8	3200062	3	Hose Clamp #4
9	3200018	1	Fitting, 1/8" M. Pipe to 1/4" Hose Barb
10	6017280	1	Hose, 1/4" I.D. x 40"

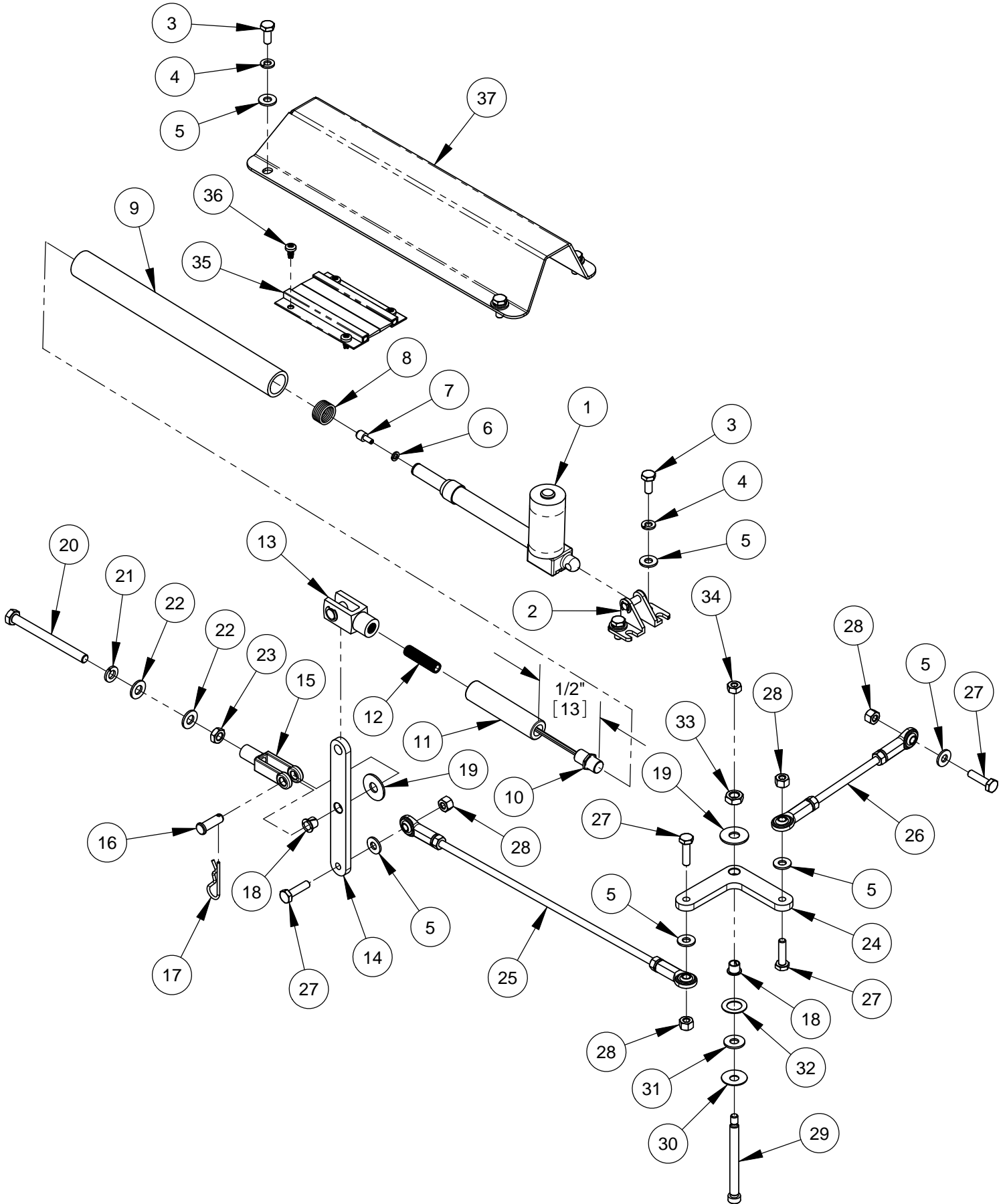
Frame Lift Assembly #6017167



Frame Lift Assembly #6017167

ITEM	PART NO.	QTY	DESCRIPTION
1	6017135	1	Frame Lift
2	2900866	2	Cap Screw, Hex Hd., 3/4-10 x 2"
3	2900003	2	Flat Washer, 3/4" SAE
4	2900467	2	Lock Nut, 3/4-10 Nylon
5	6017136	2	Frame Lift Brace
6	2900499	2	Cap Screw, Hex Hd., 1/2-13 x 1-1/2"
7	2900026	2	Lock Nut, 1/2-13 Nylon
8	2900025	2	Cap Screw, Hex Hd., 1/2-13 x 1-1/4"
9	2900084	2	Lock Washer, 1/2" Split
10	2900058	2	Flat Washer, 1/2" SAE
11	2503704	1	Wrench, 15/16" Combination
12	6017268	1	Wrench Sock
13	2900165	2	Machine Screw, Rd. Hd., #10-24 x 7/8"
14	2900083	3	Fender Washer, 1/4" x 1-1/4"
15	2900017	2	Lock Nut, #10-24 Nylon
16	3200056	1	Flow Control Valve, 1/4" NPT
17	6017142	1	Valve Spacer Block
18	2900720	2	Eyebolt, 5/16-18 x 1"
19	2900022	2	Flat Washer, 5/16" SAE
20	2900031	2	Lock Washer, 5/16" Split
21	2900141	2	Hex Nut, 5/16-18
22	3200418	2	Adapter, 1/4" M. Pipe to 1/4" M. JIC
23	6017286	1	Hose Assembly 1/4" x 42"
24	6017287	1	Hose Assembly 1/4" x 54"

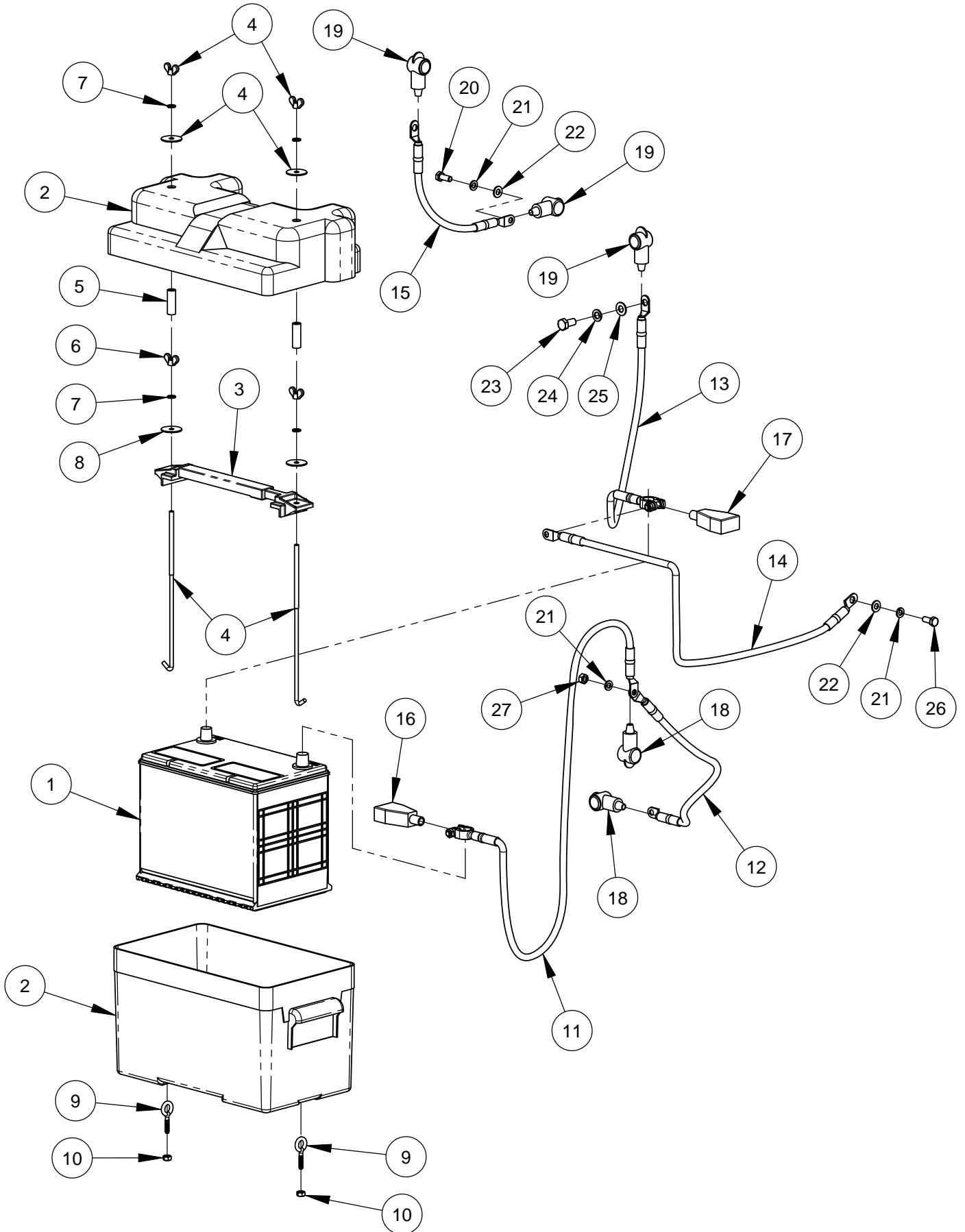
Depth Stop Assembly #6017170



Depth Stop Assembly #6017170

ITEM	PART NO.	QTY	DESCRIPTION
1	2503726	1	Actuator
2	2503727	1	Pivot Bracket with Pin
3	2900023	6	Cap Screw, Hex Hd., 1/4-20 x 5/8"
4	2900024	6	Lock Washer, 1/4" Split
5	2900009	10	Flat Washer, 1/4" SAE
6	2900038	1	Lock Washer, #10 Split
7	2800638	1	Actuator Magnet
8	2503729	6	O-Ring #016
9	6017116	1	Guide Tube
10	2800637	1	Magnetic Proximity Sensor
11	6017117	1	Slide Shaft
12	6017118	1	Hollow Stud, 3/8-24 x 1-1/2"
13	2503728	1	Clevis, 3/8-24 Nylon
14	6017119	1	Linkage Arm
15	2900878	1	Yoke, 5/16-24
16	2900879	1	Clevis Pin, 5/16" Dia. x 15/16"
17	2900262	1	Hairpin Cotter
18	2503730	2	Flanged Bearing, 5/16" ID
19	2900153	2	Friction Washer, 3/8"
20	2900880	1	Cap Screw, Hex Hd., 5/16-24 x 3-1/2"
21	2900031	1	Lock Washer, 5/16" Split
22	2900022	2	Flat Washer, 5/16" SAE
23	2900049	1	Jam Nut, 5/16-24
24	6017120	1	Bell Crank
25	6017198	1	Linkage Assembly 13-3/4" Eye to Eye
26	6017199	1	Linkage Assembly 6-1/2" Eye to Eye
27	2900008	4	Cap Screw, Hex Hd., 1/4-20 x 1"
28	2900010	4	Lock Nut, 1/4-20 Nylon
29	2900902	1	Shoulder Screw, 5/16" x 3" (1/4-20)
30	2900252	1	Belleville Washer, 5/16"
31	2900126	1	Flat Washer, 1/4" USS
32	2900890	1	Friction Washer, 1/2" Nylatron
33	2900782	1	Jam Nut, 3/8-16
34	2900125	1	Hex Nut, 1/4-20
35	6017122	2	Strip Brush
36	2900021	4	Tap Screw, Pan Hd., #10-24 x 3/8"
37	6017232	1	Actuator Cover

Battery Assembly #6017052



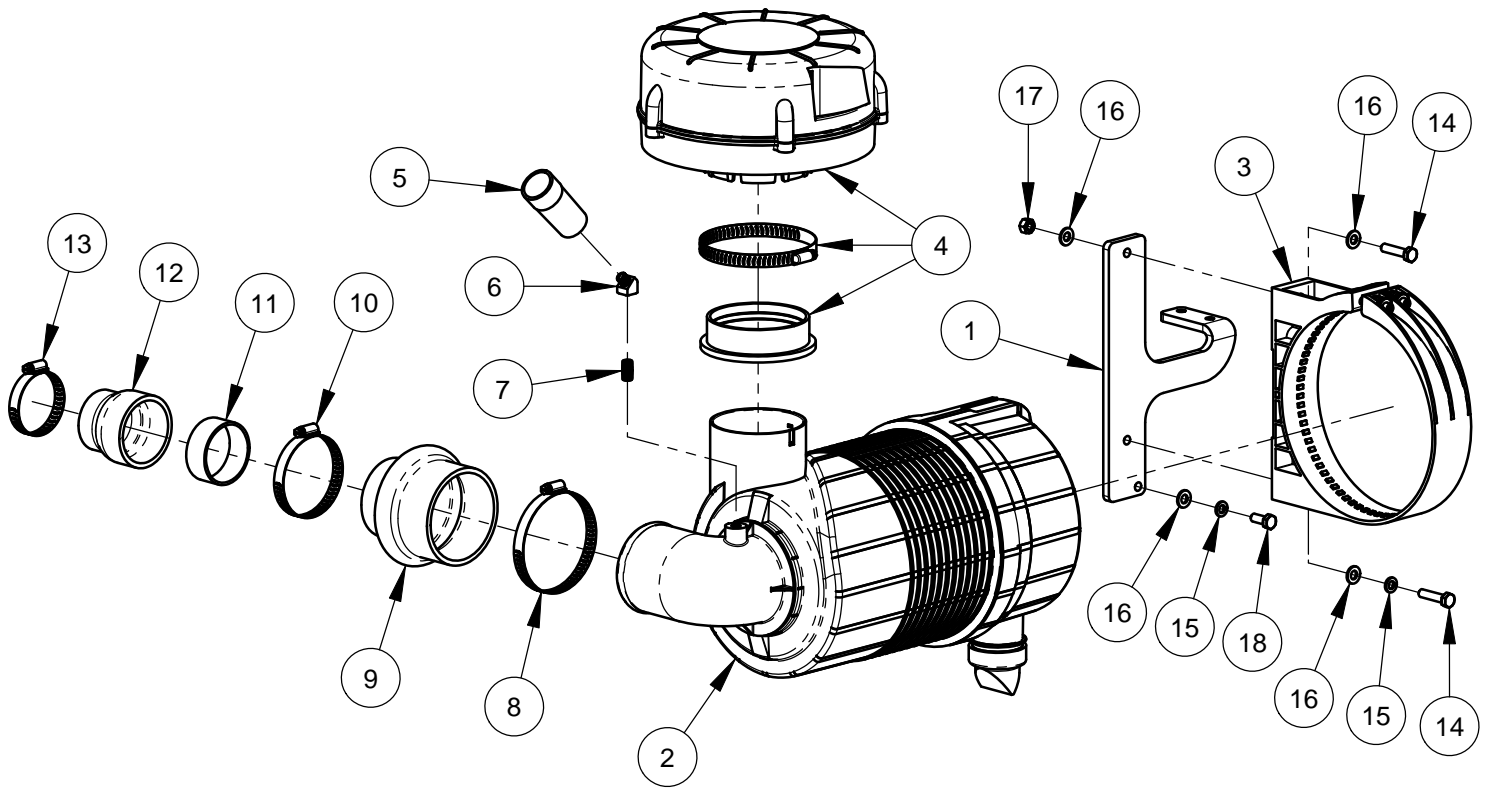
Battery Assembly #6017052

ITEM	PART NO.	QTY	DESCRIPTION
1	2800465	1	Battery, 12 Volt Group Size 24
2	6017010	1	Battery Box & Lid
3	2502185	1	Battery Hold-Down
4	2502186	1	J-Bolt, Washer & Wing Nut Set
5	6017311	2	Hose Standoff 1-1/2"
6	2900221	2	Wing Nut, 1/4-20
7	2900024	4	Lock Washer, 1/4" Split
8	2900083	2	Fender Washer, 1/4" x 1-1/4"
9	2900548	2	Eyebolt, 1/4-20 x 1"
10	2900125	2	Hex Nut, 1/4-20
11	2800082	1	Battery Cable, 48" Positive (Red)
12	2800095	1	Solenoid Cable, 14" Positive (Red)
13	2800072	1	Battery Cable, 30" Negative (Black)
14	2800854	1	Ground Cable, 42" Negative (Black)
15	2800182	1	Ground Cable, 14" Negative (Black)
16	2800256	1	Battery Boot, Large (Red)
17	2800257	1	Battery Boot, Large (Black)
18	2800197	2	Battery Boot, Small (Red)
19	2800198	3	Battery Boot, Small (Black)
20	2900329	1	Capscrew, Hex Hd., M8 x 20mm
21	2900031	3	Lock Washer, 5/16" Split
22	2900022	2	Flat Washer, 5/16" SAE
23	2901021	1	Cap Screw, Hex Hd., M10-1.25 x 20mm
24	2900321	1	Lock Washer, M10 Split
25	2900014	1	Flat Washer, 3/8" SAE
26	2900019	1	Cap Screw, Hex Hd., 5/16-18 x 3/4"
27	2900343	1	Hex Nut, M8

Engine Assembly #6017181

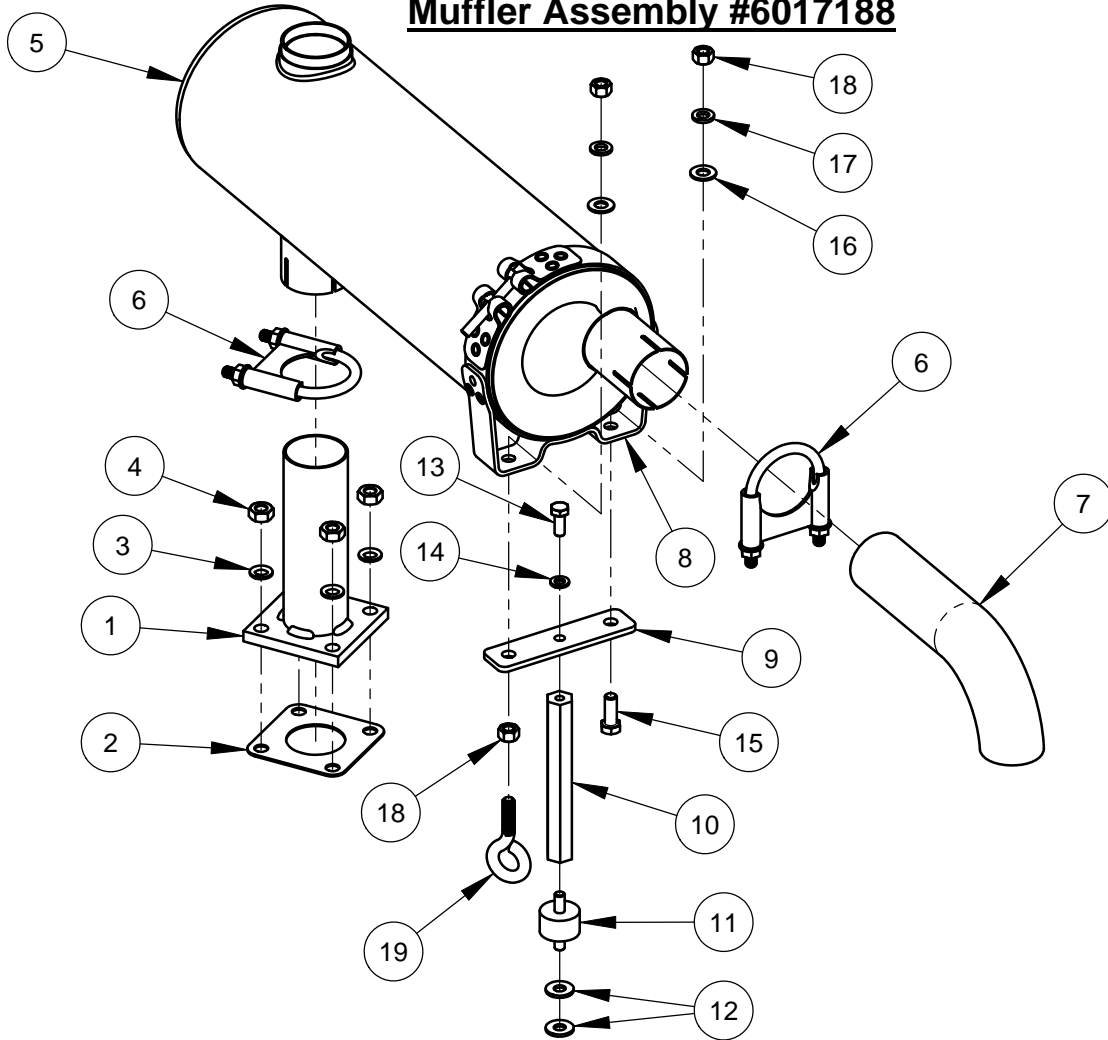
ITEM	PART NO.	QTY	DESCRIPTION
1	2600546	1	Engine, Kubota Model V3307
2	6017320	2	Engine Foot
3	2900886	8	Cap Screw, Hex Hd., M12-1.25 x 60mm
4	2900699	8	Lock Washer, M12 Split
5	2900058	8	Flat Washer, 1/2" SAE
6	6017321	2	Tap Bolt, Hex Hd., 5/8-11 x 10"
7	2900112	2	Hex Nut, 5/8-11
8	2900900	2	Swivel Pad, 5/8-11
9	6017156	1	Engine Cradle
10	2900164	6	Cap Screw, Flange Hd., 5/8-11 x 1-1/2"
11	2900135	2	Lock Nut, 5/8-11 Nylon
12	2900136	2	Cap Screw, Hex Hd., 5/8-11 x 2"
13	2900113	8	Lock Washer, 5/8" Split
14	2900721	2	Flat Washer, 5/8" USS Hardened
15	6017154	2	Engine Leg
16	2900874	4	Cap Screw, Hex Hd., M14-1.5 x 35mm
17	2900875	4	Lock Washer, M14 Split
18	2900326	4	Flat Washer, M14
19	6017300	2	Engine Pivot Block
20	2503788	2	Vibration Isolator
21	2900585	2	Cap Screw, Hex Hd., 5/8-11 x 4-1/2"
22	2900002	2	Flat Washer, 5/8" SAE
23	2900491	2	Lock Nut, 5/8-11 Flanged
24	3200813	1	Oil Drain Valve, M22x1.5
25	3200016	1	Hose Clamp #8
26	6017021	1	Oil Drain Hose, 5/8" I.D. x 12"
27	3201728	1	Hose Plug

Air Intake Assembly #6017174



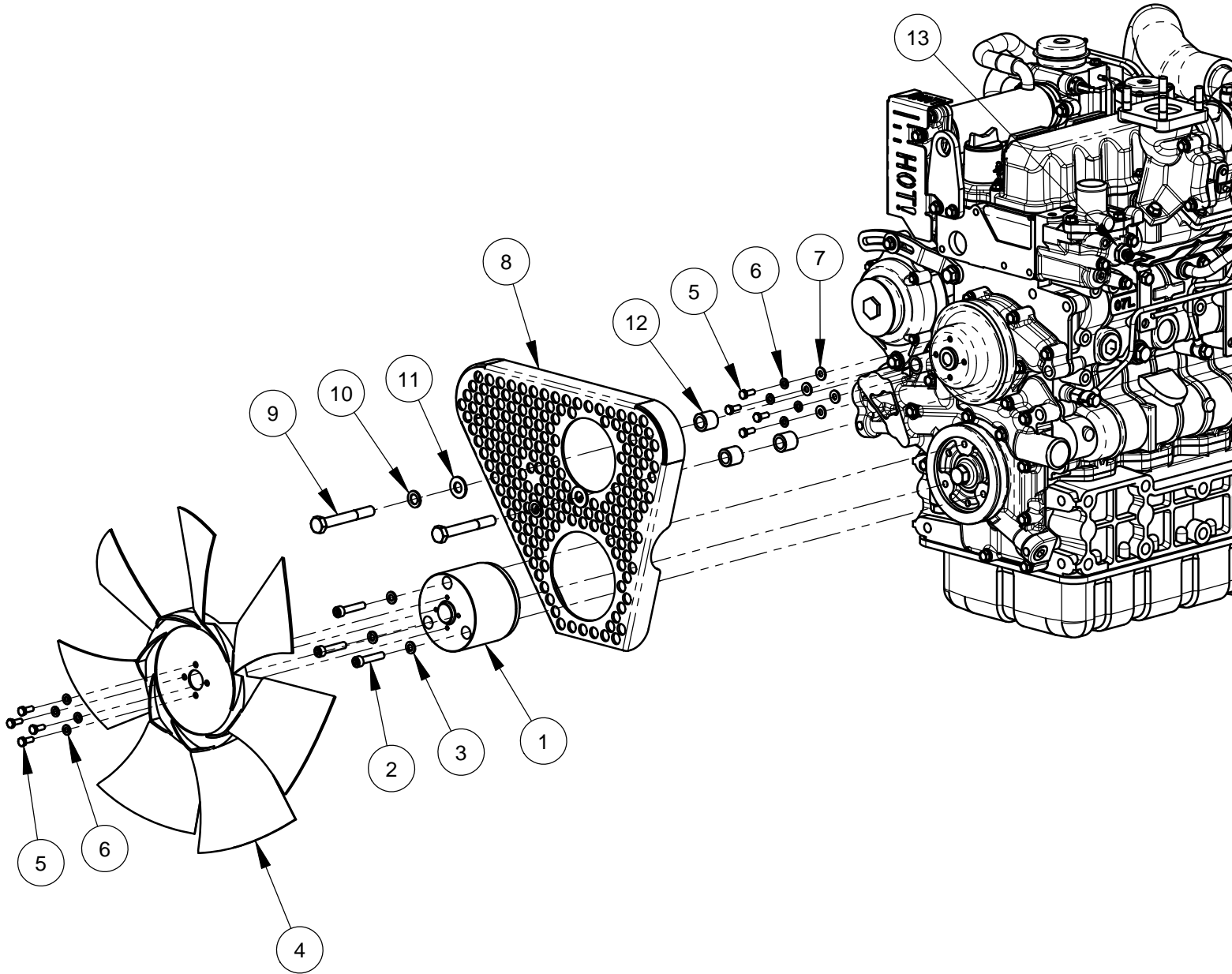
ITEM	PART NO.	QTY	DESCRIPTION
1	6017115	1	Filter Mount Bracket
2	2502182	1	Air Cleaner Complete
	2501352	1	Outer Primary Filter
	2501353	1	Inner Safety Filter
	2500239	1	Rubber Dust Ejector Boot
3	2501351	1	Mounting Band, Polymer
4	2501504	1	Pre-Cleaner w/Clamp & Adapter Ring
5	2500423	1	Restriction Indicator
6	3200099	1	Street Elbow, 1/8" NPT x 45 Deg.
7	3200117	1	Close Nipple, 1/8" NPT
8	3200198	1	Hose Clamp #64
9	2503722	1	Hose Reducer, 3-1/2" to 2-3/4" I.D.
10	3200197	1	Hose Clamp #52
11	6017145	1	Connector Tube, 2-1/2" O.D.
12	2500229	1	Hose Reducer, 2-1/2" to 2" I.D.
13	3200095	1	Hose Clamp #32
14	2900760	2	Cap Screw, Hex Hd., M8 x 35mm
15	2900031	2	Lock Washer, 5/16" Split
16	2900022	4	Flat Washer, 5/16" SAE
17	2900303	1	Lock Nut, M8 Nylon
18	2900329	1	Capscrew, Hex Hd., M8 x 20mm

Muffler Assembly #6017188



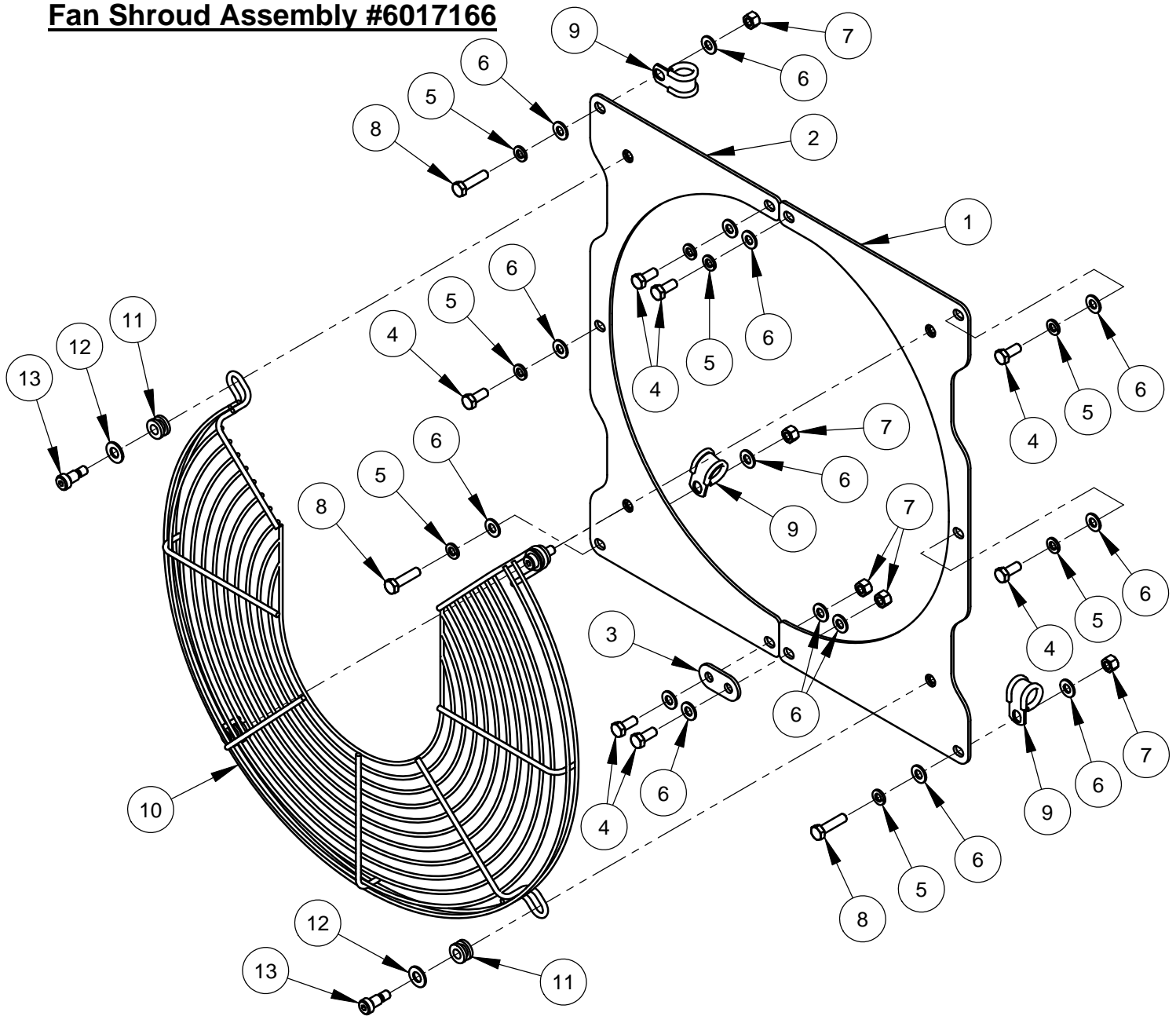
ITEM	PART NO.	QTY	DESCRIPTION
1	2503738	1	Exhaust Flange & Pipe
2	2503739	1	Exhaust Flange Gasket
3	2900321	4	Lock Washer, M10 Split
4	2907002	4	Hex Nut, M10-1.25
5	2503776	1	Muffler
6	2700748	2	Muffler Clamp 2"
7	2503737	1	Tail Pipe, 2" O.D. x 9"
8	2503777	1	Muffler Body Band Clamp
9	6017281	1	Muffler Support Bar
10	6017282	1	Muffler Support Post
11	2503787	1	Vibration Isolator M8
12	2900567	2	Flat Washer, 5/16" USS
13	2900329	1	Capscrew, Hex Hd., M8 x 20mm
14	2900031	1	Lock Washer, 5/16" Split
15	2900005	1	Cap Screw, Hex Hd., 3/8-16 x 1"
16	2900014	2	Flat Washer, 3/8" SAE
17	2900006	2	Lock Washer, 3/8" Split
18	2900033	3	Hex Nut, 3/8-16
19	2900892	1	Eyebolt, 3/8-16 x 1-1/2"

Fan Assembly #6017176



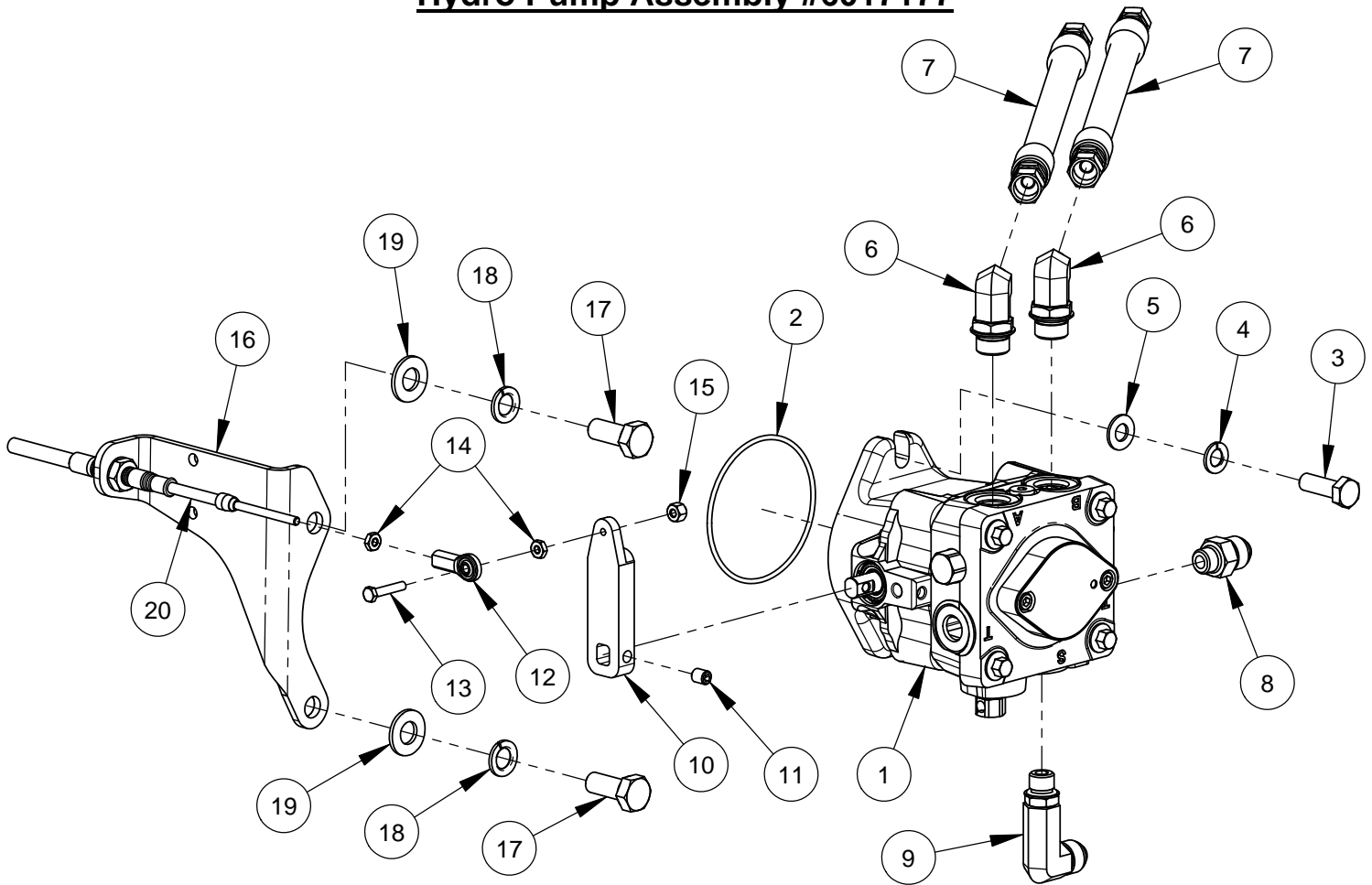
ITEM	PART NO.	QTY	DESCRIPTION
1	6017123	1	Fan Adapter
2	2900398	3	Cap Screw, Soc. Hd., M8 x 40mm
3	2900031	3	Lock Washer, 5/16" Split
4	2502181	1	Cooling Fan, 17"
5	2900341	8	Cap Screw, Hex Hd., M6 x 16mm
6	2900024	8	Lock Washer, 1/4" Split
7	2900009	4	Flat Washer, 1/4" SAE
8	6017133	1	Belt Guard
9	2900881	2	Cap Screw, Hex Hd., M12-1.25 x 90mm
10	2900699	2	Lock Washer, M12 Split
11	2900058	2	Flat Washer, 1/2" SAE
12	6017134	3	Spacer, 21mm long
13	2800624	1	Water Temperature Sender

Fan Shroud Assembly #6017166



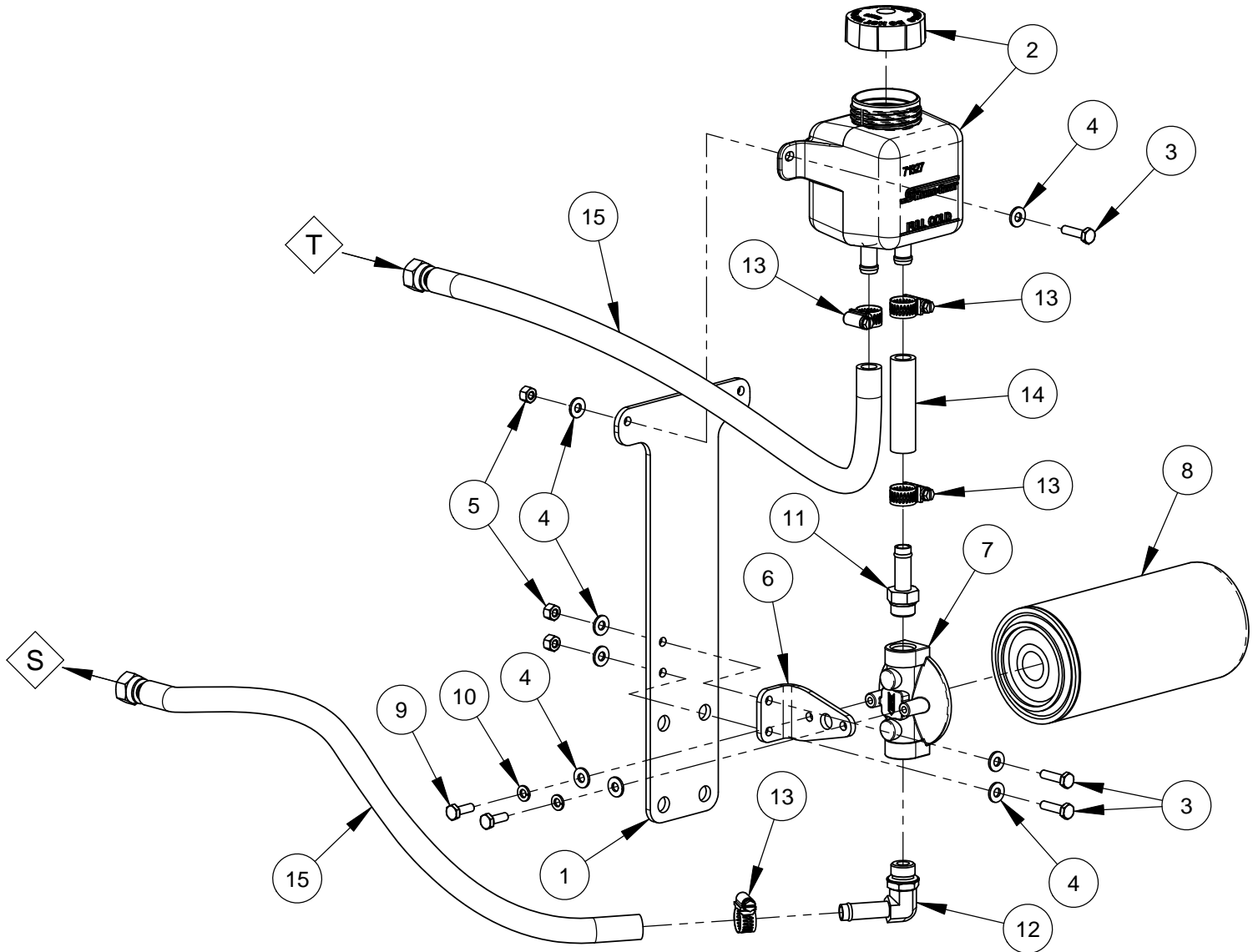
ITEM	PART NO.	QTY.	DESCRIPTION
1	6017037A	1	Fan Shroud (Left)
2	6017037B	1	Fan Shroud (Right)
3	6017038	1	Link
4	2900019	7	Cap Screw, Hex Hd., 5/16-18 x 3/4"
5	2900031	8	Lock Washer, 5/16" Split
6	2900022	15	Flat Washer, 5/16" SAE
7	2900039	5	Lock Nut, 5/16-18 Nylon
8	2900217	3	Cap Screw, Hex Hd., 5/16-18 x 1-1/4"
9	2801151	3	Hose Clamp, 3/4" x 3/4" Wide
10	2503705	1	Fan Guard
11	2503711	4	Grommet, 3/8" I.D.
12	2900014	4	Flat Washer, 3/8" SAE
13	2900672	4	Shoulder Screw, 3/8" x 1/2" (5/16-18)

Hydro Pump Assembly #6017177



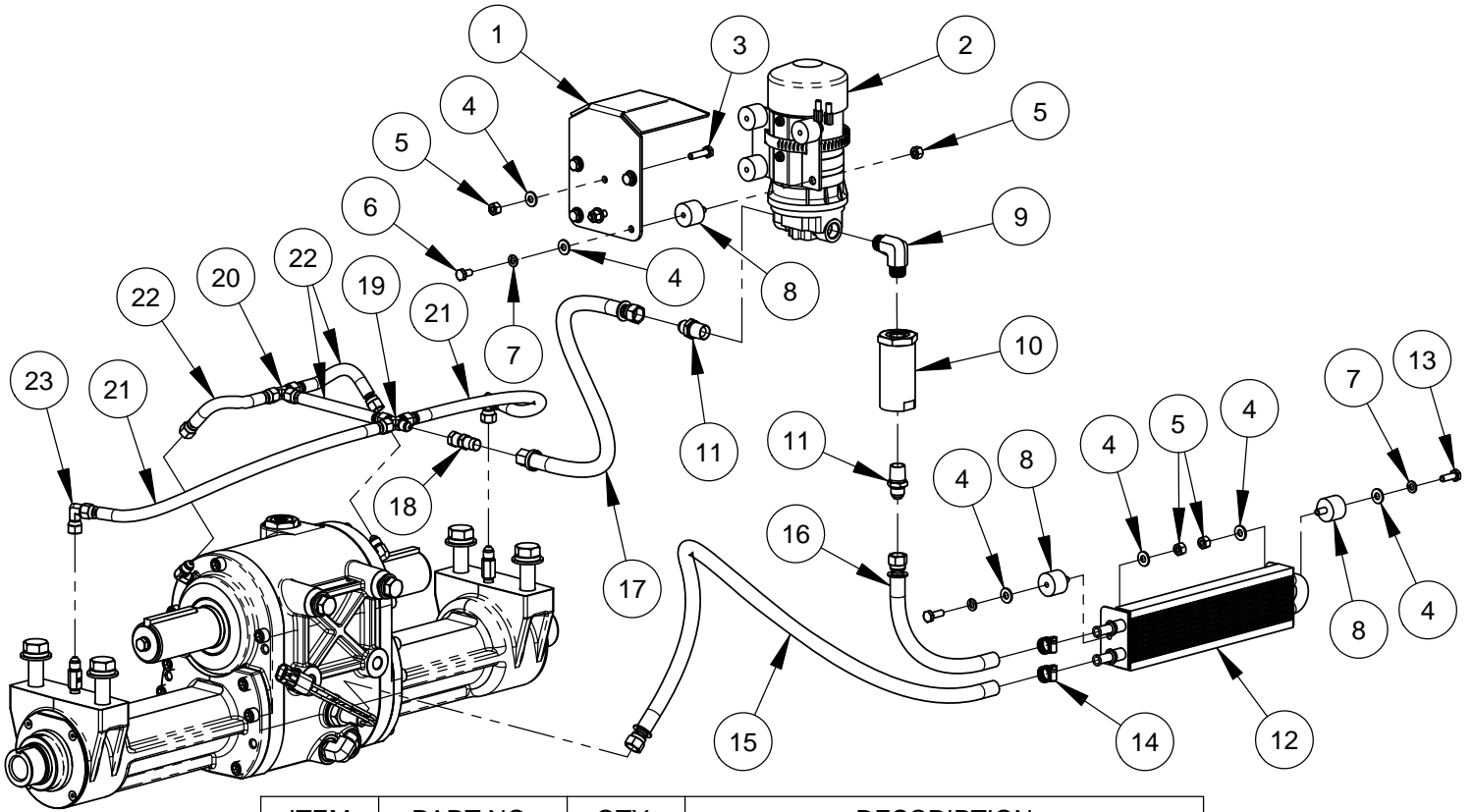
ITEM	PART NO.	QTY.	DESCRIPTION
1	2600550	1	Hydro Pump
2	2400628	1	O-Ring #152
3	2900870	2	Cap Screw, Hex Hd., M10-1.25 x 30mm
4	2900321	2	Lock Washer, M10 Split
5	2900014	2	Flat Washer, 3/8" SAE
6	3201725	2	Elbow, 1/2" O-Ring to 3/8" M. JIC
7	6017294	2	Hose Assembly 3/8" x 60"
8	3200266	1	Adapter, 3/8" O-Ring to 1/2" M. JIC
9	3201665	1	Elbow, 3/8" O-Ring to 1/2" M. JIC
10	6017137	1	Control Arm
11	2900429	1	Set Screw, Soc. Hd., 5/16-24 x 1/2"
12	2500791	1	Rod End, #10-32 Female
13	2900687	1	Machine Screw, Hex Hd., #10-32 x 1"
14	2900188	2	Hex Nut, #10-32
15	2900688	1	Lock Nut, #10-32 Nylon
16	6017217	1	Control Cable Bracket
17	2900746	2	Cap Screw, Hex Hd., M12-1.25 x 30mm
18	2900699	2	Lock Washer, M12 Split
19	2900058	2	Flat Washer, 1/2" SAE
20	2503781	1	Control Cable 41"

Reservoir Tank Assembly #6017247



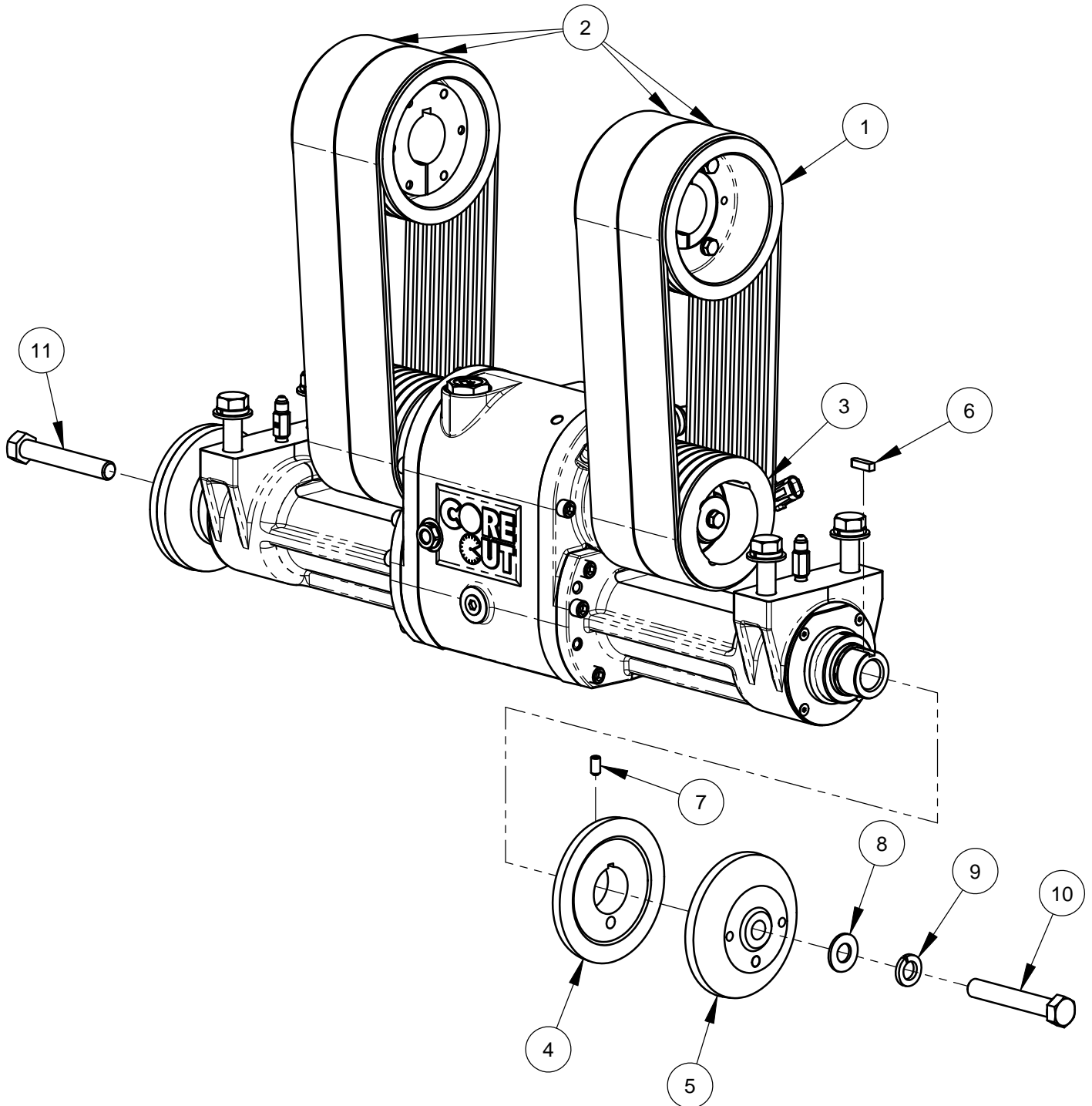
ITEM	PART NO.	QTY	DESCRIPTION
1	6017307	1	Tank Mount Plate
2	2503796	1	Reservoir Tank & Cap
3	2900008	4	Cap Screw, Hex Hd., 1/4-20 x 1"
4	2900009	10	Flat Washer, 1/4" SAE
5	2900010	4	Lock Nut, 1/4-20 Nylon
6	6017308	1	Filter Mount Bracket
7	3201970	1	Filter Head
8	3201971	1	Filter Element
9	2900144	2	Cap Screw, Hex Hd., 1/4-20 x 3/4"
10	2900024	2	Lock Washer, 1/4" Split
11	3201895	1	Adapter, 1/2" O-Ring to 1/2" Hose Bead
12	3201896	1	Elbow, 1/2" O-Ring to 1/2" Hose Bead
13	3200016	4	Hose Clamp #8
14	6010435	1	Hose, 1/2" I.D. x 3"
15	6017309	2	Hose Assembly 1/2" x 24"

Oil Pump & Cooler Assembly #6017184



ITEM	PART NO.	QTY.	DESCRIPTION
1	6017312	1	Pump Mount Bracket
2	6017317	1	Oil Pump, 12V Diaphragm
3	2900008	2	Cap Screw, Hex Hd., 1/4-20 x 1"
4	2900009	10	Flat Washer, 1/4" SAE
5	2900010	8	Lock Nut, 1/4-20 Nylon
6	2900082	4	Cap Screw, Hex Hd., 1/4-20 x 1/2"
7	2900024	6	Lock Washer, 1/4" Split
8	2503786	6	Vibration Isolator, 1/4-20
9	3201966	1	Elbow, 3/8" Male Pipe
10	3201940	1	Mini Inline Filter (90 Micron)
	3201941	1	Filter Cartridge (90 Micron)
11	3201467	2	Fitting, 3/8" M. JIC to 3/8" M. Pipe
12	6017194	1	Oil Cooler
13	2900144	2	Cap Screw, Hex Hd., 1/4-20 x 3/4"
14	3200390	2	Hose Clamp #6
15	6017292	1	Hose Assembly 3/8" x 44"
16	6017293	1	Hose Assembly 3/8" x 10"
17	6017310	1	Hose Assembly 3/8" x 30"
18	3200219	1	Adapter, 1/4" M. Pipe to 1/4" F. JIC
19	3201892	1	Union Cross, 1/4" Male JIC
20	3200625	1	Tee, 1/4" Male JIC
21	6017246	2	Hose Assembly 1/4" x 20"
22	6017278	3	Hose Assembly 1/4" x 6"
23	3201241	2	Elbow, 1/4" M. JIC to 1/4" F. JIC

Belt Drive Assembly #6017190



(SEE NEXT PAGE FOR ITEMS #1 THRU #5)

ITEM	PART NO.	QTY	DESCRIPTION
6	6010040	2	Key, 1/4" Sq. x 15/16"
7	2900418	2	Set Screw, Soc. Hd., 5/16-18 x 5/8"
8	2900002	2	Flat Washer, 5/8" SAE
9	2900113	2	Lock Washer, 5/8" Split
10	2900146	1	Cap Screw, Hex Hd., 5/8-11 x 4"
11	2900130	1	Cap Screw, Hex Hd., 5/8-11 x 4" LH

Belt Drive Assembly #6017190

20" BLADE DRIVE #6017190A			
ITEM	PART NO.	QTY	DESCRIPTION
1	6013154	2	Sheave, 6.5" x 10 Groove w/Bushing
	2501902	1	Sheave, 6.5" x 10 Groove QD Style
	2500176	1	QD Bushing, SK x 1-3/4" w/Fasteners
2	2503769	1	Belt (Matched Set of 4) 5/3VX375
3	6017288	2	Sheave, 3.65" x 10 Groove w/Setscrews
	6017289	1	Sheave, 3.65" x 10 Groove x 1-3/4" Bore
	2900142	2	Set Screw, Soc. Hd., 5/16-18 x 3/8"
	2900617	2	Set Screw, Soc. Hd., 5/16-18 x 1/2"
4	6010255	2	Inner Flange 5"
5	6047907	2	Outer Flange 5" with Pin
	2900197	1	Dowel Pin, 3/8" Dia. x 2"

26" BLADE DRIVE #6017190B			
ITEM	PART NO.	QTY	DESCRIPTION
1	6013046	2	Sheave, 6" x 10 Groove w/Bushing
	2500439	1	Sheave, 6" x 10 Groove QD Style
	2500176	1	QD Bushing, SK x 1-3/4" w/Fasteners
2	2503769	1	Belt (Matched Set of 4) 5/3VX375
3	6010658	2	Sheave, 4" x 10 Groove w/Bushing
	2501380	1	Sheave, 4" x 10 Groove Taper Style
	2501410	1	Taper Bushing, 1-3/4" w/Setscrews
4	6010255	2	Inner Flange 5"
5	6047907	2	Outer Flange 5" with Pin
	2900197	1	Dowel Pin, 3/8" Dia. x 2"

30" BLADE DRIVE #6017190C			
ITEM	PART NO.	QTY	DESCRIPTION
1	6010113	2	Sheave, 5.6" x 10 Groove w/Bushing
	2500209	1	Sheave, 5.6" x 10 Groove QD Style
	2500176	1	QD Bushing, SK x 1-3/4" w/Fasteners
2	2503769	1	Belt (Matched Set of 4) 5/3VX375
3	6010545	2	Sheave, 4.5" x 10 Groove w/Bushing
	2501381	1	Sheave, 4.5" x 10 Groove Taper Style
	2501410	1	Taper Bushing, 1-3/4" w/Setscrews
4	6010255	2	Inner Flange 5"
5	6047907	2	Outer Flange 5" with Pin
	2900197	1	Dowel Pin, 3/8" Dia. x 2"

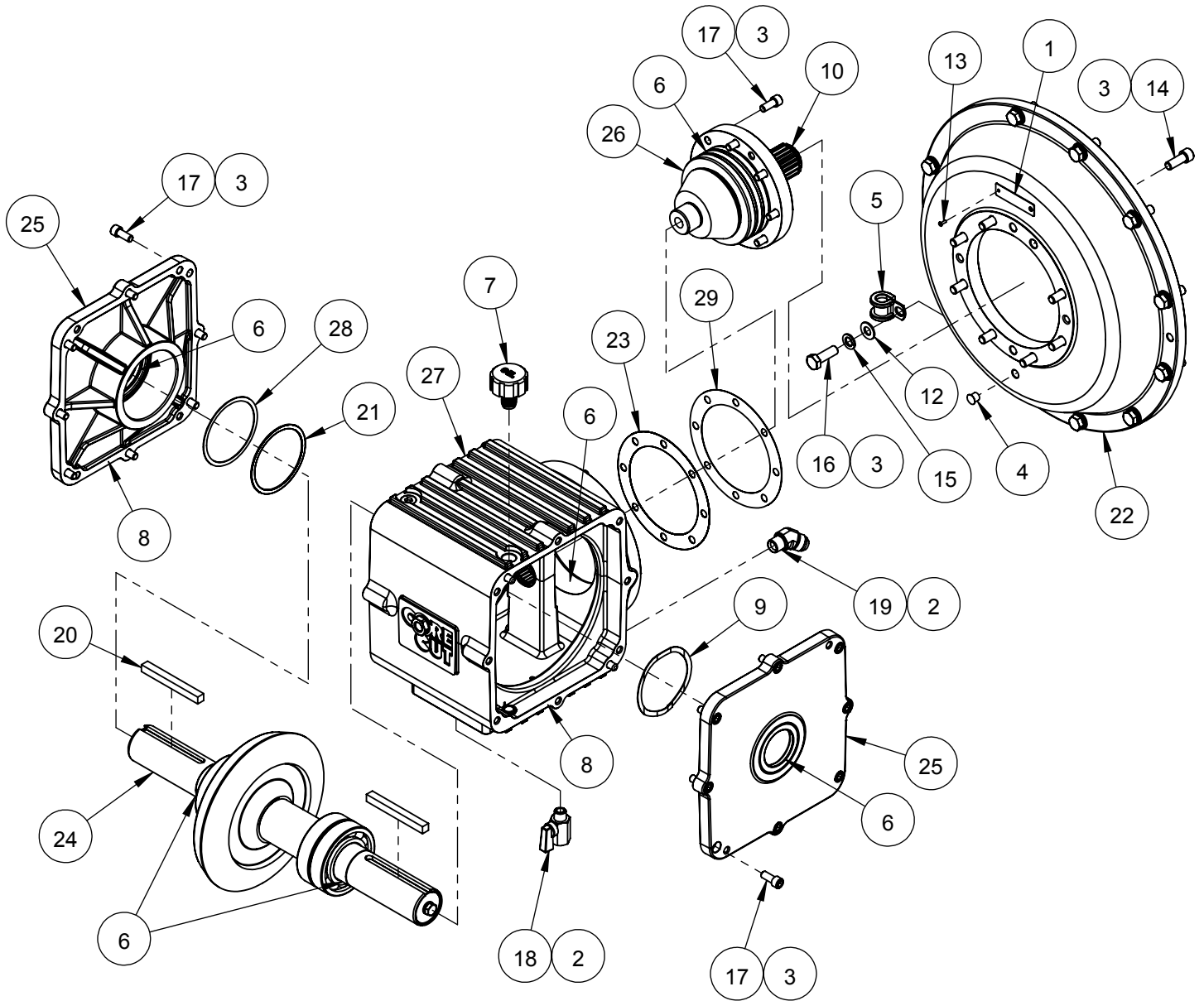
Belt Drive Assembly #6017190

36" BLADE DRIVE #6017190D			
ITEM	PART NO.	QTY	DESCRIPTION
1	6010573	2	Sheave, 5" x 10 Groove w/Bushing
	2500655	1	Sheave, 5" x 10 Groove Taper Style
	2500454	1	Taper Bushing, 1-3/4" w/Setscrews
2	2503769	1	Belt (Matched Set of 4) 5/3VX375
3	6017245	2	Sheave, 4.75" x 10 Groove w/Bushing
	2503792	1	Sheave, 4.75" x 10 Groove Taper Style
	2500454	1	Taper Bushing, 1-3/4" w/Setscrews
4	6010038	2	Inner Flange 6"
5	6010039	2	Outer Flange 6" with Pin
	2900197	1	Dowel Pin, 3/8" Dia. x 2"

42" BLADE DRIVE #6017190E			
ITEM	PART NO.	QTY	DESCRIPTION
1	6010658	2	Sheave, 4" x 10 Groove w/Bushing
	2501380	1	Sheave, 4" x 10 Groove Taper Style
	2501410	1	Taper Bushing, 1-3/4" w/Setscrews
2	2503850	1	Belt (Matched Set of 4) 5/3VX355K
3	6017245	2	Sheave, 4.75" x 10 Groove w/Bushing
	2503792	1	Sheave, 4.75" x 10 Groove Taper Style
	2500454	1	Taper Bushing, 1-3/4" w/Setscrews
4	6017230	2	Inner Flange 7"
5	6017231	2	Outer Flange 7" with Pin
	2900197	1	Dowel Pin, 3/8" Dia. x 2"

48" BLADE DRIVE #6017190F			
ITEM	PART NO.	QTY	DESCRIPTION
1	6010658	2	Sheave, 4" x 10 Groove w/Bushing
	2501380	1	Sheave, 4" x 10 Groove Taper Style
	2501410	1	Taper Bushing, 1-3/4" w/Setscrews
2	2503850	1	Belt (Matched Set of 4) 5/3VX355K
3	6017245	2	Sheave, 4.75" x 10 Groove w/Bushing
	2503792	1	Sheave, 4.75" x 10 Groove Taper Style
	2500454	1	Taper Bushing, 1-3/4" w/Setscrews
4	6013017	2	Inner Flange 8"
5	6013018	2	Outer Flange 8" with Pin
	2900197	1	Dowel Pin, 3/8" Dia. x 2"

Bevel Gear Box w/o Clutch #6018090



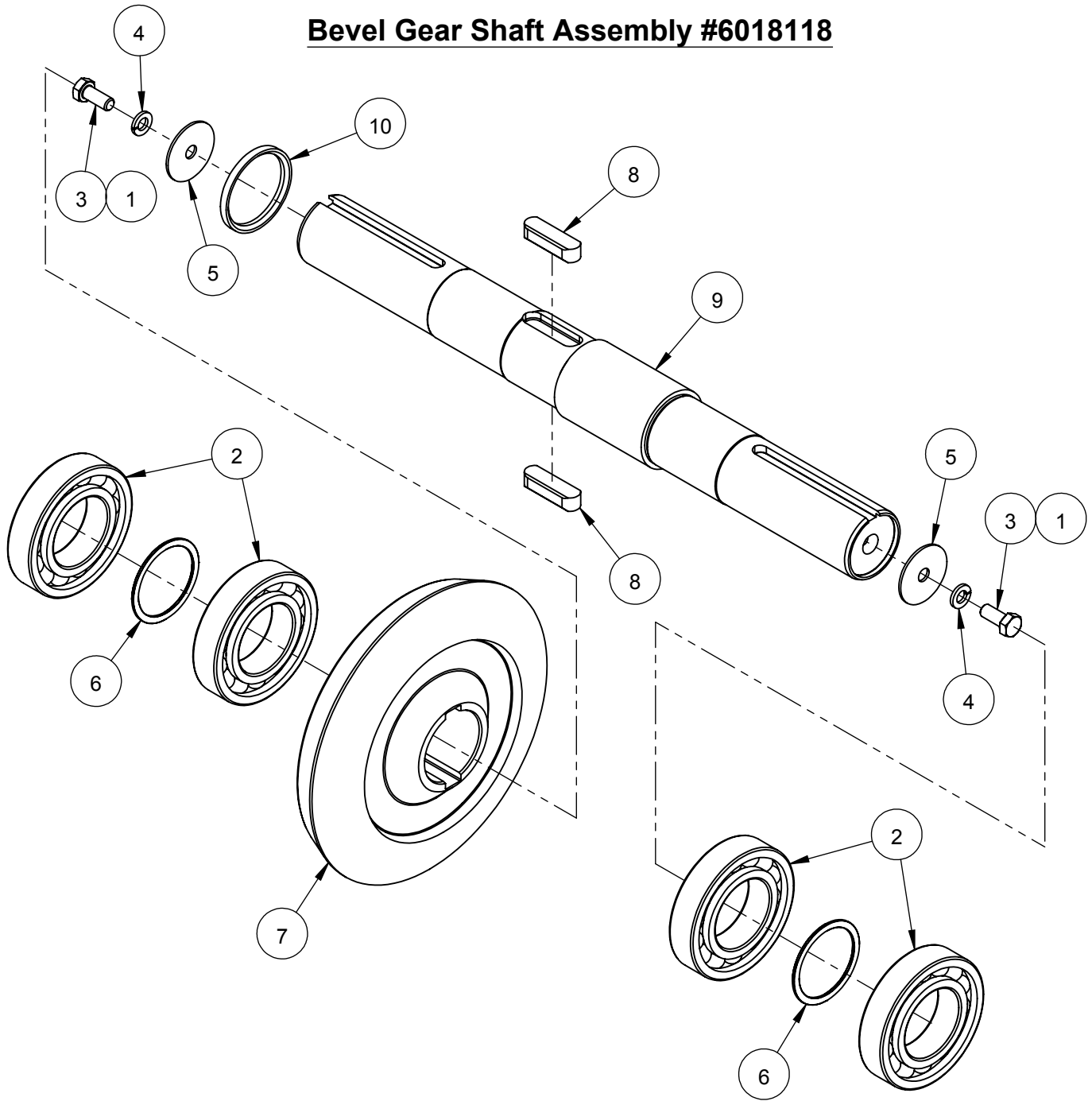
Bevel Gear Box w/o Clutch #6018090

ITEM	PART NO.	QTY	DESCRIPTION
1	1801499	1	Serial Tag, Bevel Gear Box
2	2401311	AR	Loctite #567 Thread Sealant
3	2401316	AR	Loctite #262 Red
4	2500462	1	Plug, 3/8" Hole
5	2501434	1	Hose Clamp, 5/8" x 3/4" Wide
6	2502046	AR	Grease, Fuchs Synthetic
7	2503720	1	Filler Breather Cap, 3/8" NPT
8	2503802	AR	Permatex Ultra Black
9	2503826	1	85mm Wave Washer
10	2503829	AR	Loctite Anti-Seize
11	2503930	3qt	Gear Oil, 75W90 Mobil 1
12	2900014	11	Flat Washer, 3/8" SAE
13	2900053	2	Rivet, 3/32" Dia.
14	2900175	8	Cap Screw, Soc. Hd., 3/8-16 x 1"
15	2900321	11	Lock Washer, M10 Split
16	2900870	11	Cap Screw, Hex Hd., M10-1.25 x 30mm
17	2900912	24	Cap Screw, Soc. Hd., 5/16-18 x 3/4"
18	3200108	1	Ball Valve, 1/4" NPT
19	3201889	2	Elbow, 1/2" M. JIC to 3/8" M. Pipe (45 deg)
20	6012065	2	Key, 3/8" Sq. x 3-1/2"
21	6018011	4	75 x 85mm x .005" Shim
22	6018047	1	Bevel Gear Box Flange
23	6018052	3	Bearing Cap Shim
24	6018118	1	Bevel Gear Shaft Assembly
25	6018119	2	Bevel Gear Box Side Cover Assembly
26	6018120	1	Bevel Pinion Cartridge Assembly
27	6018121	1	Bevel Gear Box Housing Assembly
28	6018126	2	75 x 85mm x .031" Shim
29	6018127	1	.015" Bearing Cap Shim

Service Notes:

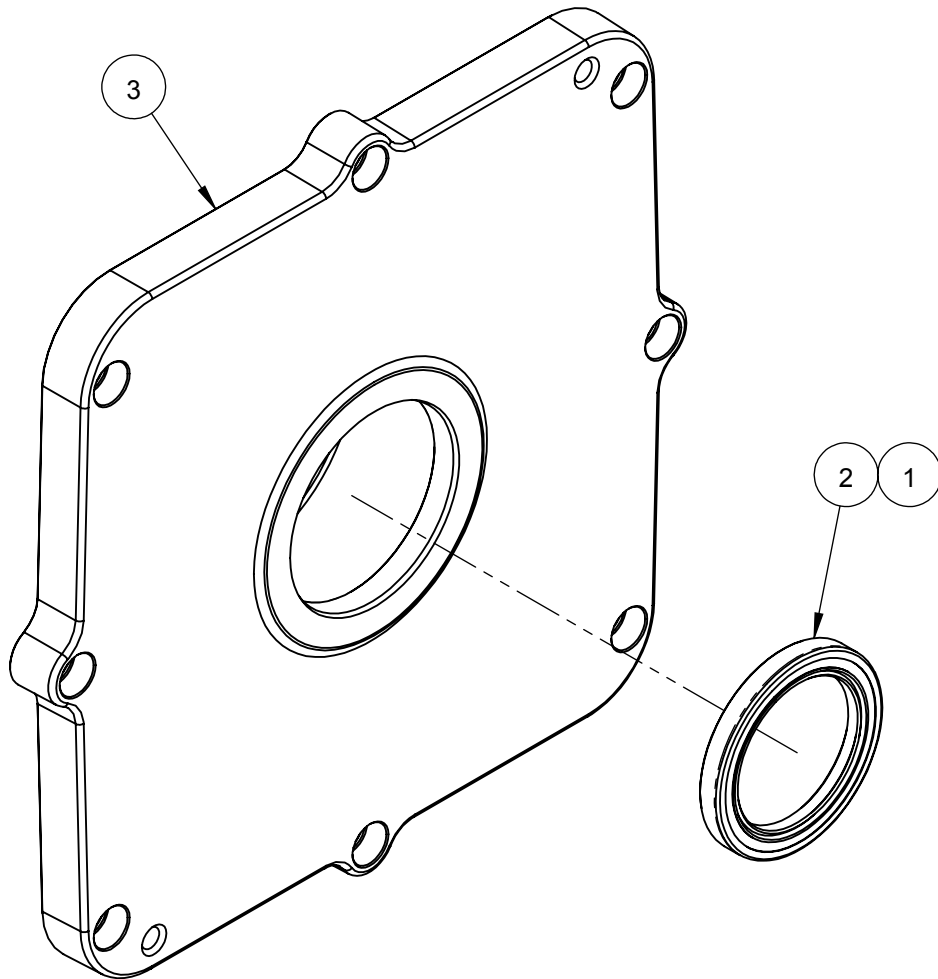
1. Select quantity of 6018052 & 6018127 bearing cap shims to optimize bevel pinion contact pattern
2. Select quantity of 6018011 & 6018126 shims to achieve .005-.010" backlash
3. Change bevel box oil & clean breather vent every 100 hours.
4. Refill bevel box with specified oil (min 50% of sight glass).
5. Drain water jacket after each use by opening 3200108 ball valve and placing saw in lowest cutting position.
6. Close ball valve before next use.

Bevel Gear Shaft Assembly #6018118



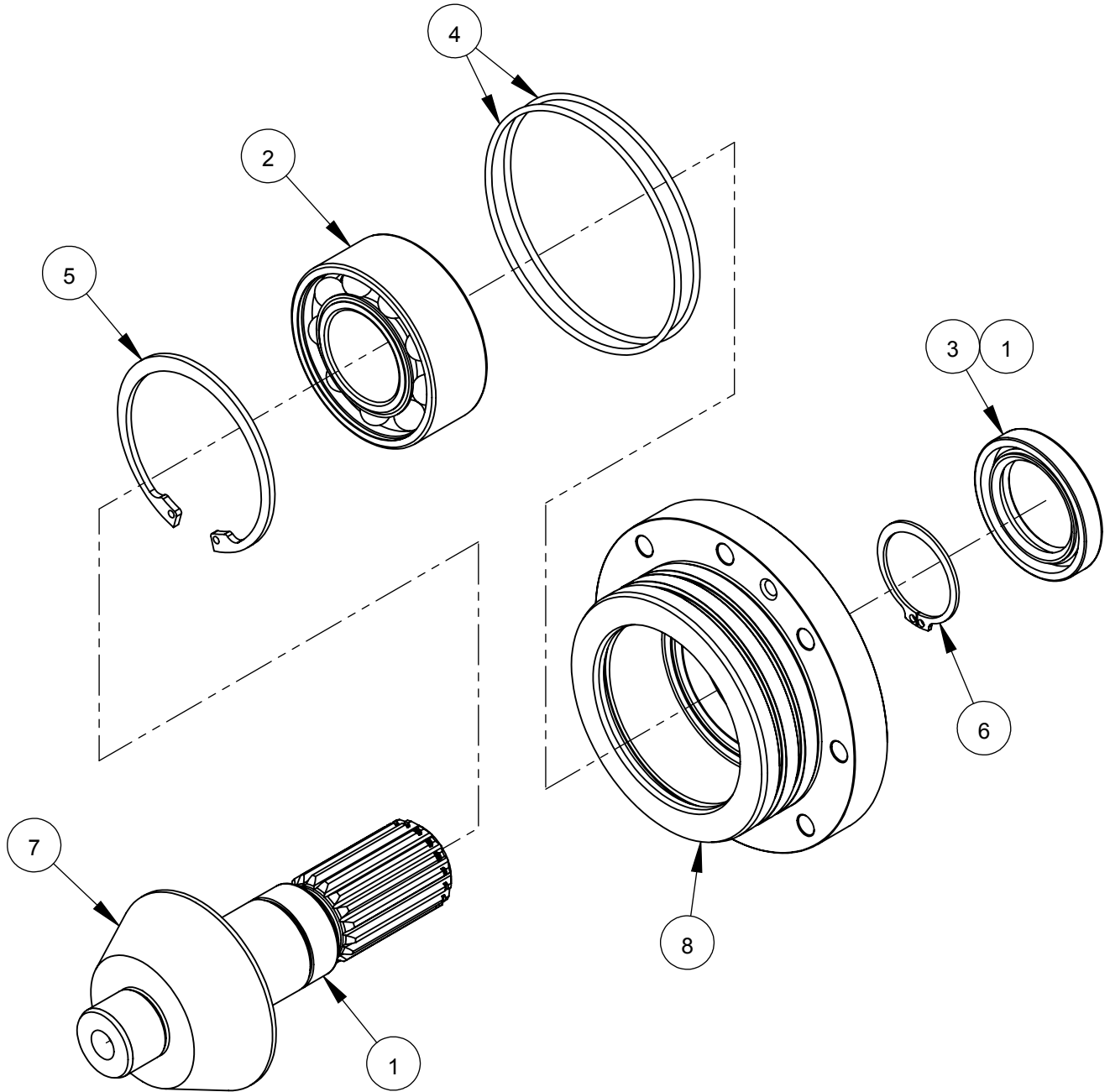
ITEM	PART NO.	QTY	DESCRIPTION
1	2401316	AR	Loctite #262 Red
2	2503857	4	Ball Bearing, 45 x 85 x 19mm
3	2900019	2	Cap Screw, Hex Hd., 5/16-18 x 3/4"
4	2900031	2	Lock Washer, 5/16" Split
5	2900969	2	Fender Washer, 5/16 X 1.50"
6	6018037	2	45mm x .06" Bearing Spacer
7	6018050	1	38T 5P 20PA Spiral Bevel Gear
8	6018053	2	1/2 x 3/8 x 1-5/8" Rectangular Key
9	6018075	1	Bevel Gear Shaft
10	6018139	1	Bevel Gear Spacer

Bevel Gear Box Side Cover Assembly #6018119



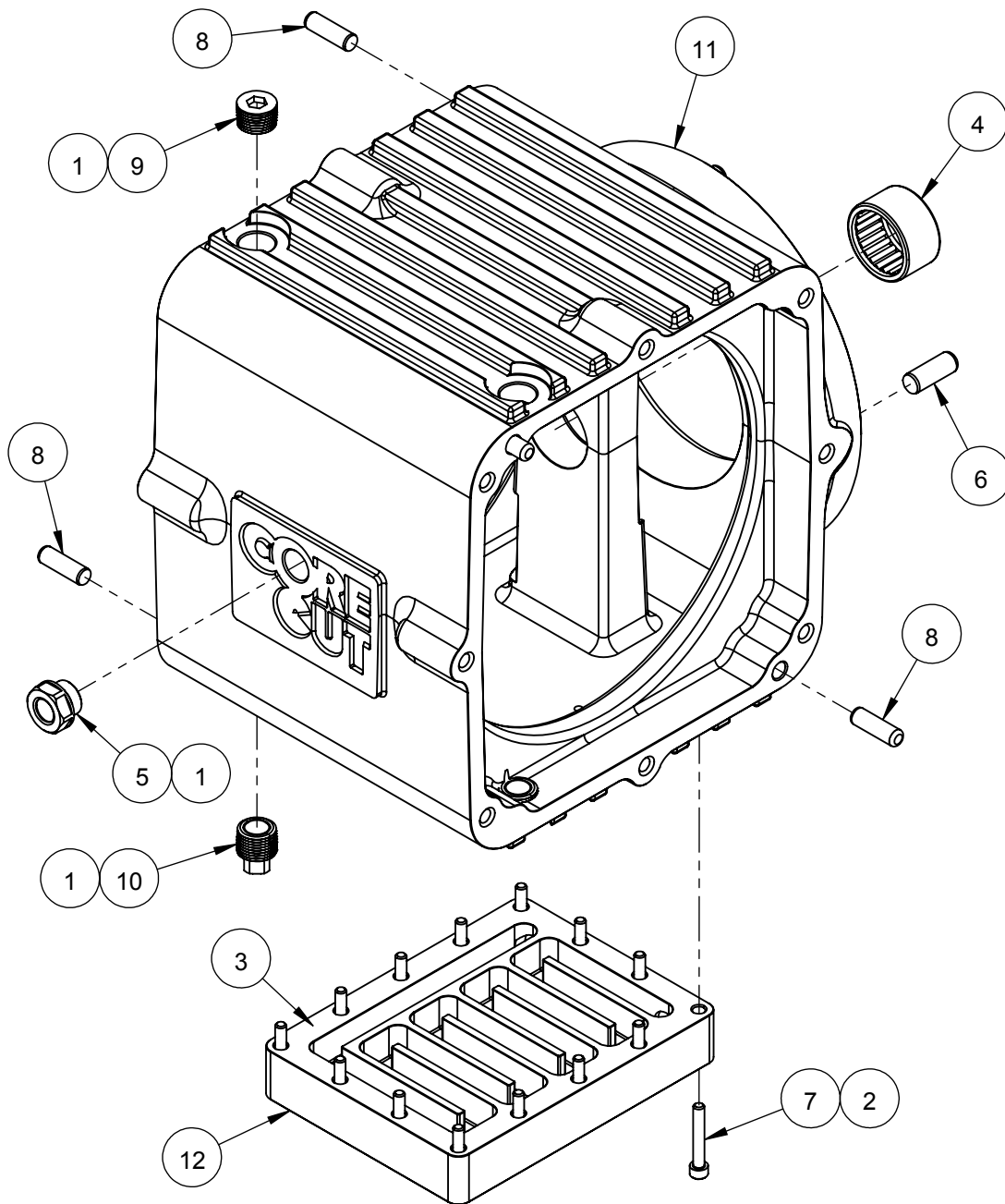
ITEM	PART NO.	QTY	DESCRIPTION
1	2502046	AR	Grease, Fuchs Synthetic
2	2503855	1	45 x 62 x 7mm Oil Seal
3	6018048	1	Bevel Gear Box Side Cover

Bevel Pinion Cartridge Assembly #6018120



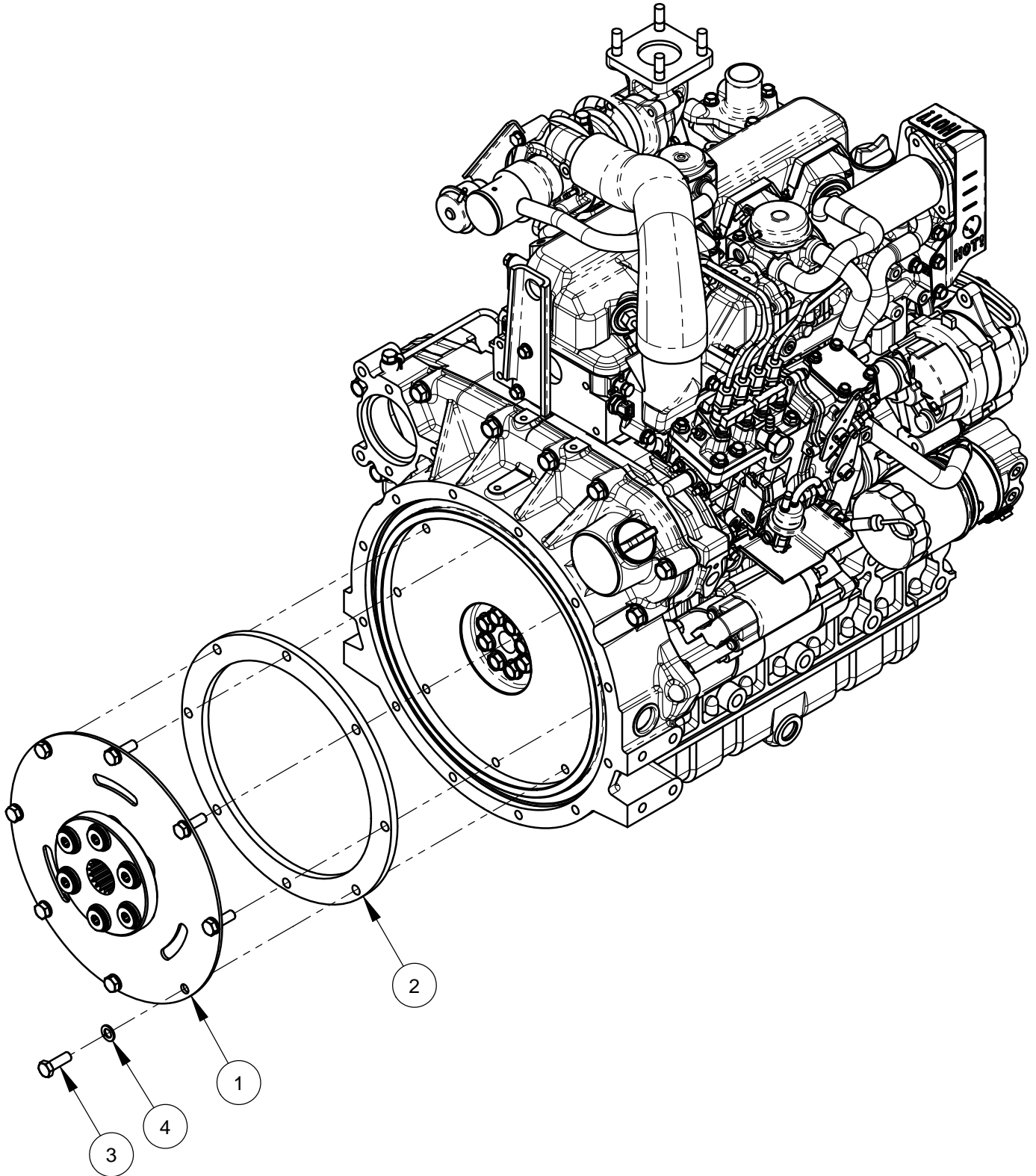
ITEM	PART NO.	QTY	DESCRIPTION
1	2502046	AR	Grease, Fuchs Synthetic
2	2502409	1	Ball Brg, Dbl Row, 40 x 80 x 30.2mm
3	2503804	1	40 x 62 x 10mm Oil Seal
4	2503820	2	AS568A 155 O-Ring
5	2503900	1	Retaining Ring, 3-5/32" Internal
6	2503901	1	Retaining Ring, 1-9/16" External
7	6018051	1	15T 5P 20PA Spiral Bevel Pinion
8	6018091	1	Bevel Pinion Cartridge

Bevel Gear Box Housing Assembly #6018121



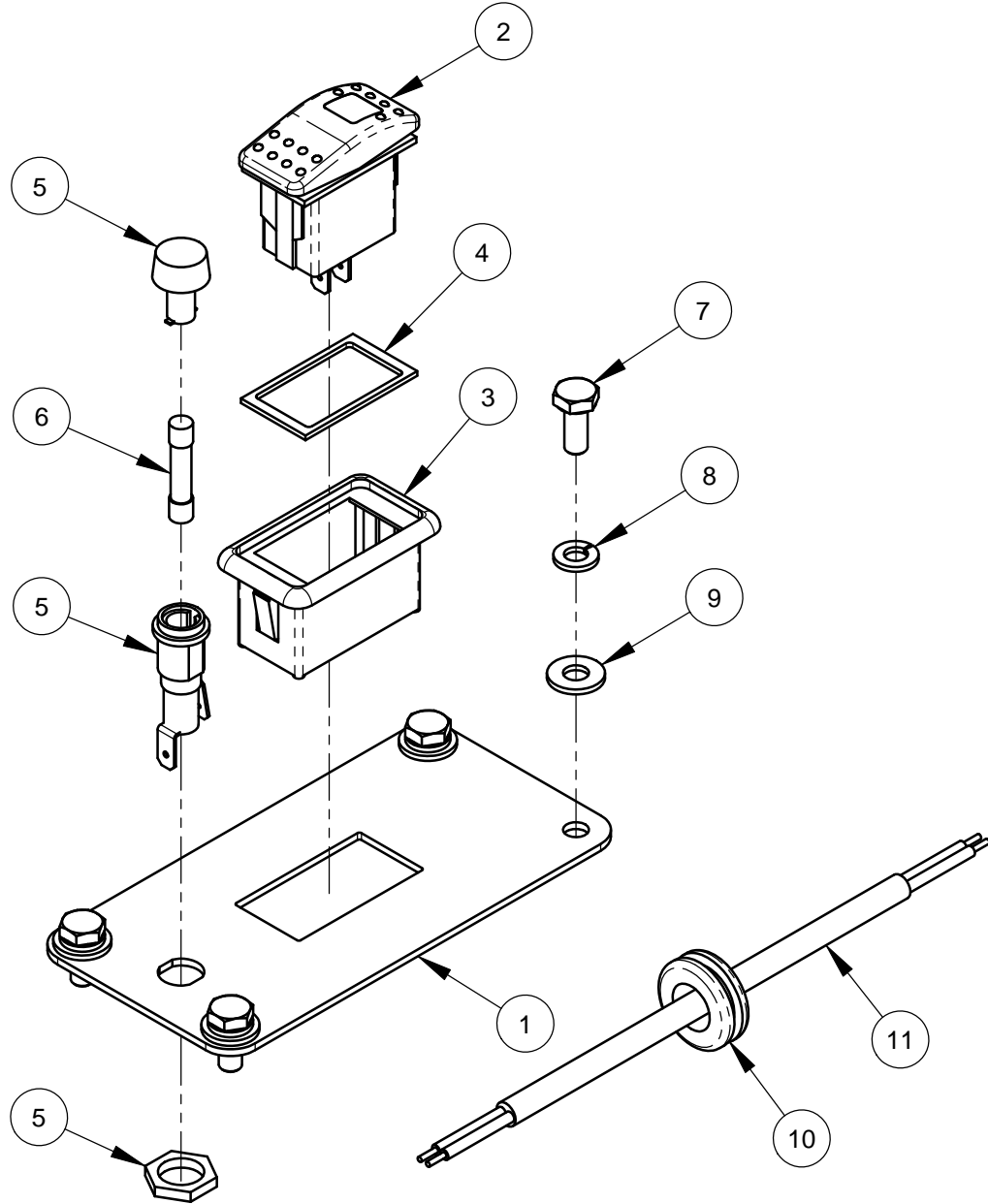
ITEM	PART NO.	QTY	DESCRIPTION
1	2401311	AR	Loctite #567 Thread Sealant
2	2401316	AR	Loctite #262 Red
3	2503802	AR	Permatex Ultra Black
4	2503821	1	30 x 37 x 20mm Needle Bearing
5	2503836	1	M16 x 1.5 Sight Glass
6	2900382	2	Dowel Pin, 3/8" Dia. x 1"
7	2900451	14	Cap Screw, Soc. Hd., #10-24 x 1-1/4"
8	2903218	4	Dowel Pin, 5/16 Dia X 1"
9	3200476	1	Hex Socket Pipe Plug, 3/8" NPT
10	3201999	2	Magnetic Pipe Plug, 3/8" NPT
11	6018046	1	Bevel Gear Box Housing
12	6018101	1	Heat Sink

Flywheel Coupling Assembly #6017106



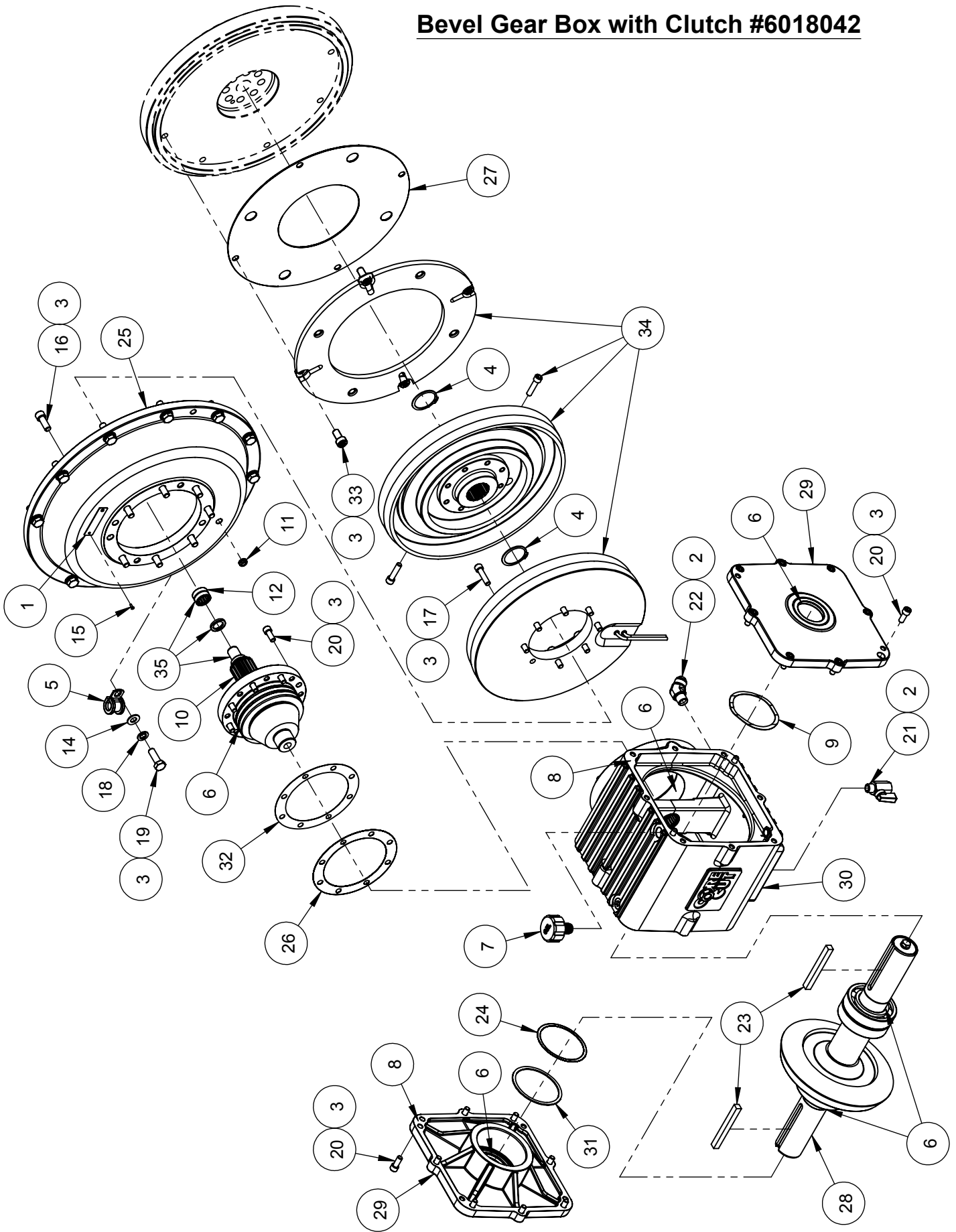
ITEM	PART NO.	QTY	DESCRIPTION
1	2502183	1	Flywheel Coupling
2	6017113	1	Spacer Ring (SAE #10)
3	2900870	8	Cap Screw, Hex Hd., M10-1.25 x 30mm
4	2900321	8	Lock Washer, M10 Split

Clutch Switch Assembly #6017192



ITEM	PART NO.	QTY.	DESCRIPTION
1	6017284	1	Cover Plate
2	2800808	1	Rocker Switch
3	2800260	1	Rocker Mount Panel
4	2800261	1	Rocker Panel Gasket
5	2800481	1	Fuse Holder
6	2800806	1	Fuse, 10 Amp
7	2900023	4	Cap Screw, Hex Hd., 1/4-20 x 5/8"
8	2900024	4	Lock Washer, 1/4" Split
9	2900009	4	Flat Washer, 1/4" SAE
10	2503712	1	Grommet, 9/16" I.D.
11	6017276	1	Clutch Harness

Bevel Gear Box with Clutch #6018042



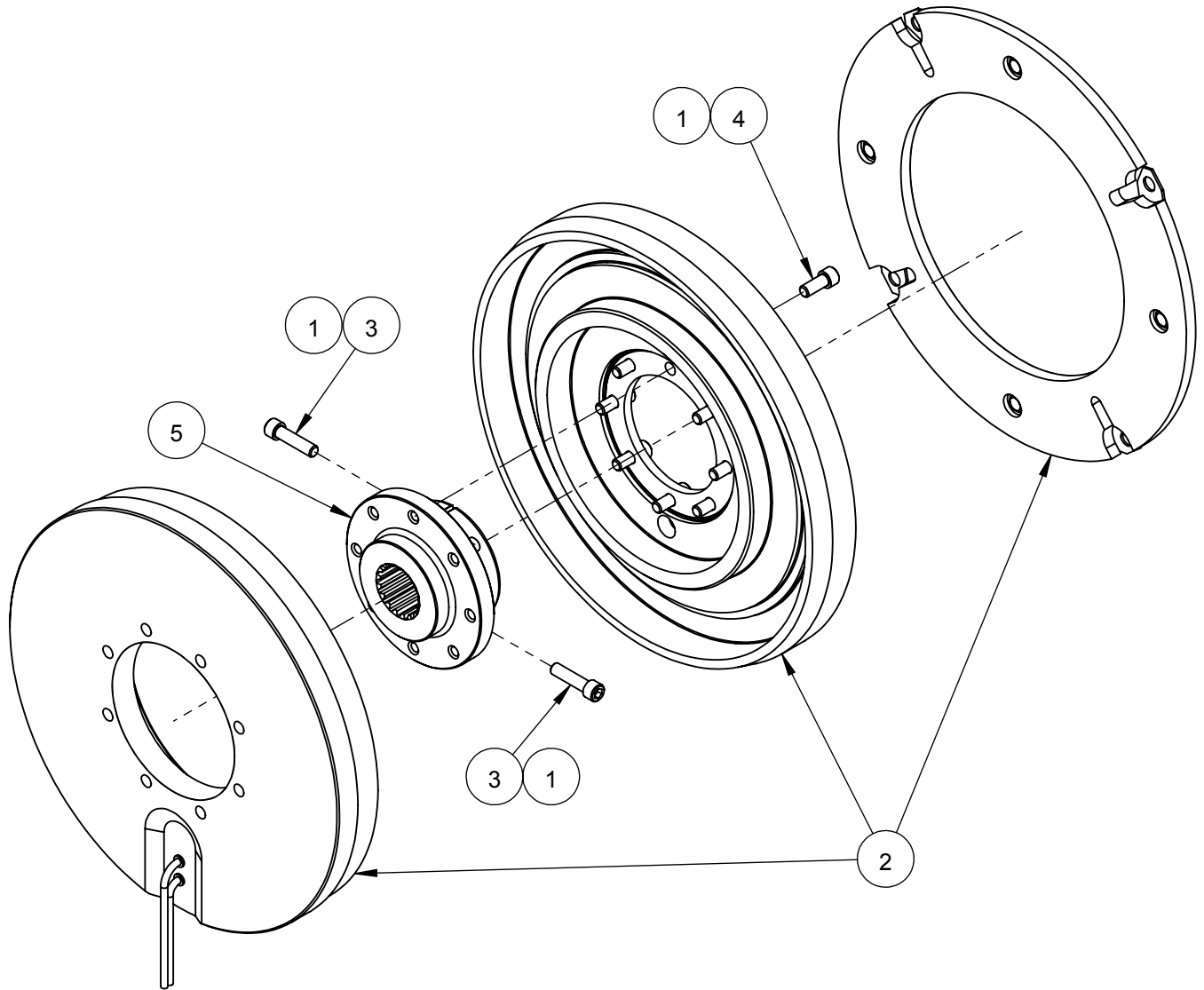
Bevel Gear Box with Clutch #6018042

ITEM	PART NO.	QTY	DESCRIPTION
1	1801499	1	Serial Tag, Bevel Gear Box
2	2401311	AR	Loctite #567 Thread Sealant
3	2401316	AR	Loctite #262 Red
4	2501202	2	Retaining Ring, 1-1/2" External
5	2501434	1	Hose Clamp, 5/8" x 3/4" Wide
6	2502046	AR	Grease, Fuchs Synthetic
7	2503720	1	Filler Breather Cap, 3/8" NPT
8	2503802	AR	Permatex Ultra Black
9	2503826	1	85mm Wave Washer
10	2503829	AR	Loctite Anti-Seize
11	2503830	1	3/8" Rubber Grommet
12	2503840	AR	Loctite #635 Green
13	2503930	3qt	Gear Oil, 75W90 Mobil 1
14	2900014	11	Flat Washer, 3/8" SAE
15	2900053	2	Rivet, 3/32" Dia.
16	2900175	8	Cap Screw, Soc. Hd., 3/8-16 x 1"
17	2900176	8	Cap Screw, Soc. Hd., 5/16-18 x 1-1/4"
18	2900321	11	Lock Washer, M10 Split
19	2900870	11	Cap Screw, Hex Hd., M10-1.25 x 30mm
20	2900912	24	Cap Screw, Soc. Hd., 5/16-18 x 3/4"
21	3200108	1	Ball Valve, 1/4" NPT
22	3201889	2	Elbow, 1/2" M. JIC to 3/8" M. Pipe (45 deg)
23	6012065	2	Key, 3/8" Sq. x 3-1/2"
24	6018011	4	75 x 85mm x .005" Shim
25	6018047	1	Bevel Gear Box Flange
26	6018052	3	Bearing Cap Shim
27	6018085	1	Armature Spacer
28	6018118	1	Bevel Gear Shaft Assembly
29	6018119	2	Bevel Gear Box Side Cover Assembly
30	6018121	1	Bevel Gear Box Housing Assembly
31	6018126	2	75 x 85mm x .031" Shim
32	6018127	1	.015" Bearing Cap Shim
33	6018128	4	Cap Screw, Soc. Hd., M10-1.25 x 20mm Modified
34	6018130	1	Electric Clutch Assembly
35	6018131	1	Bevel Pinion Cartridge Asm for Clutch

Service Notes:

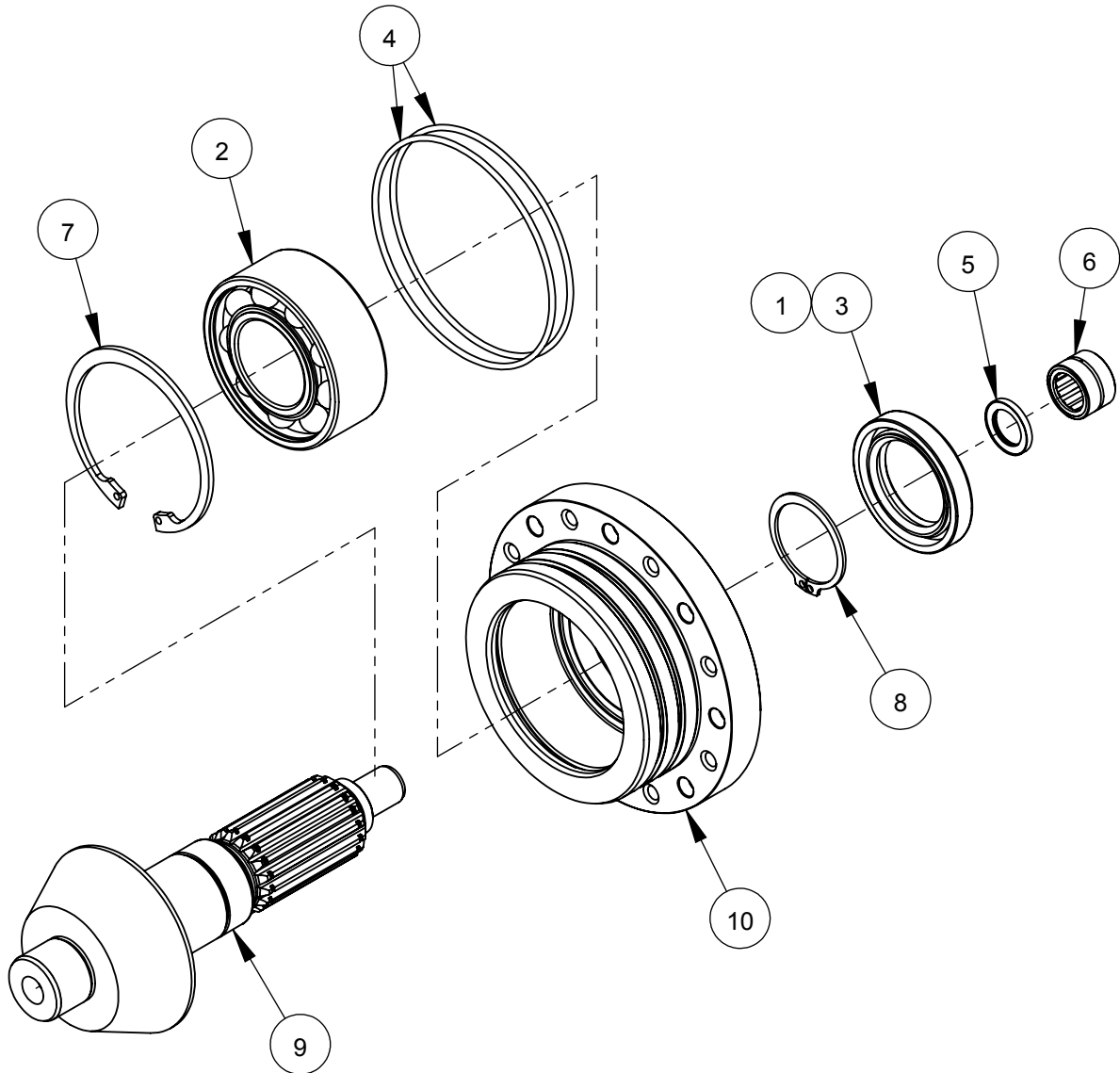
1. Select quantity of 6018052 & 6018127 bearing cap shims to optimize bevel pinion contact pattern
2. Select quantity of 6018011 & 6018126 shims to achieve .005-.010" backlash
3. Change bevel box oil & clean breather vent every 100 hours.
4. Refill bevel box with specified oil (min 50% of sight glass).
5. Drain water jacket after each use by opening 3200108 ball valve and placing saw in lowest cutting position.
6. Close ball valve before next use.

Electric Clutch Assembly #6018130



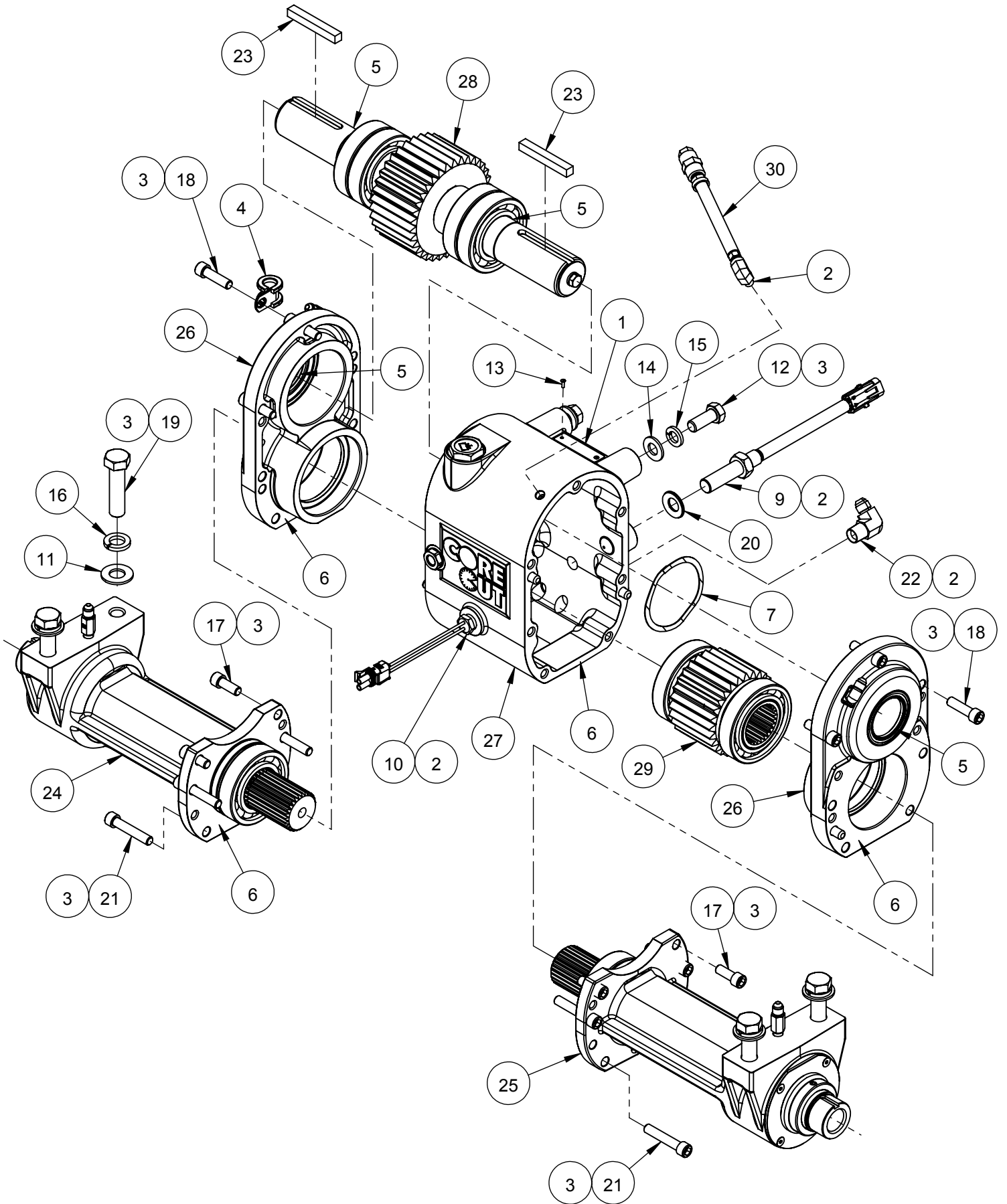
ITEM	PART NO.	QTY	DESCRIPTION
1	2401316	AR	Loctite #262 Red
2	2503822	1	Warner Electric Clutch
3	2900176	2	Cap Screw, Soc. Hd., 5/16-18 x 1-1/4"
4	2900912	8	Cap Screw, Soc. Hd., 5/16-18 x 3/4"
5	6018132	1	Clutch Drive Hub

Bevel Pinion Cartridge Asm for Clutch #6018131



ITEM	PART NO.	QTY	DESCRIPTION
1	2502046	AR	Grease, Fuchs Synthetic
2	2502409	1	Ball Brg, Dbl Row, 40 x 80 x 30.2mm
3	2503804	1	40 x 62 x 10mm Oil Seal
4	2503820	2	AS568A 155 O-Ring
5	2503838	1	Grease Seal 17 x 25 x 3mm
6	2503839	1	Needle Bearing 17 x 25 x 16
7	2503900	1	Retaining Ring, 3-5/32" Internal
8	2503901	1	Retaining Ring, 1-9/16" External
9	6018133	1	15T 5P 20PA Spiral Bevel Pinion
10	6018134	1	Bevel Pinion Cartridge

Single Speed Transmission #6018102



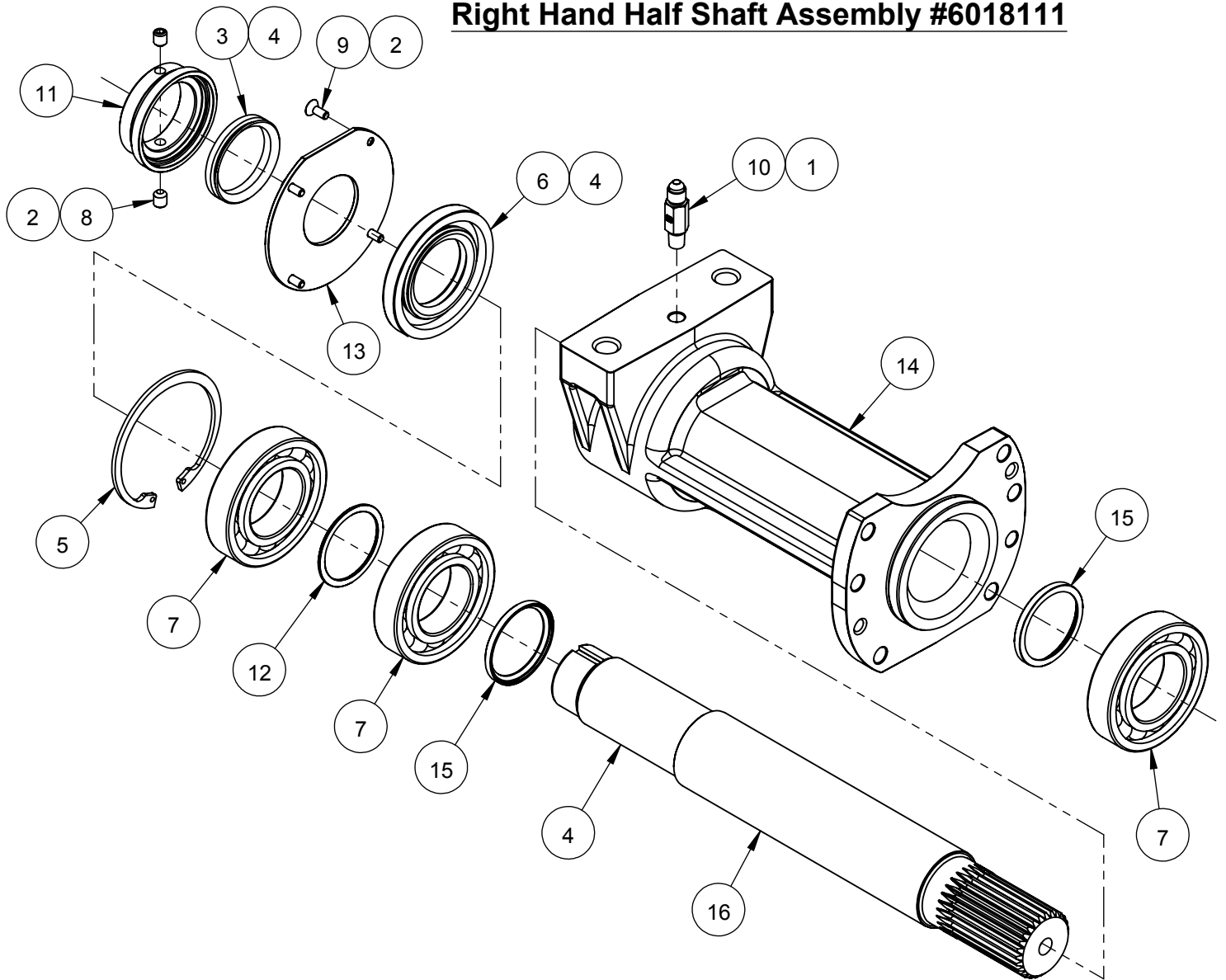
Single Speed Transmission #6018102

ITEM	PART NO.	QTY	DESCRIPTION
1	1801498	1	Serial Tag, Single Speed
2	2401311	AR	Loctite #567 Thread Sealant
3	2401316	AR	Loctite #262 Red
4	2501434	1	Hose Clamp, 5/8" x 3/4" Wide
5	2502046	AR	Grease, Fuchs Synthetic
6	2503802	AR	Permatex Ultra Black
7	2503826	1	85mm Wave Washer
8	2503954	2qt	Synthetic ATF
9	2800878	1	Magnetic Sensor w/Nut & Connector
10	2800892	1	Temperature Sender 3/8" NPT
11	2900002	4	Flat Washer, 5/8" SAE
12	2900025	2	Cap Screw, Hex Hd., 1/2-13 x 1-1/4"
13	2900053	2	Rivet, 3/32" Dia.
14	2900058	2	Flat Washer, 1/2" SAE
15	2900084	2	Lock Washer, 1/2" Split
16	2900113	4	Lock Washer, 5/8" Split
17	2900175	4	Cap Screw, Soc. Hd., 3/8-16 x 1"
18	2900183	6	Capscrew, Soc Hd., 3/8"-16 X 1-3/8"
19	2900527	4	Cap Screw, Hex Hd., 5/8-11 x 2-1/2"
20	2900805	1	Sealing Washer, 5/8"
21	2900918	8	Cap Screw, Soc. Hd., 3/8-16 x 2"
22	3201466	1	Elbow, 3/8" M. Pipe to 3/8" M. JIC
23	6011058	2	Key, 3/8" Sq. x 2-3/4"
24	6018111	1	RH Half Shaft Assembly
25	6018112	1	LH Half Shaft Assembly
26	6018113	2	Side Cover Assembly
27	6018114	1	Main Housing Assembly
28	6018115	1	Input Shaft Assembly
29	6018116	1	Spur Gear Assembly
30	6018117	1	Vent Tube Assembly

Service Notes:

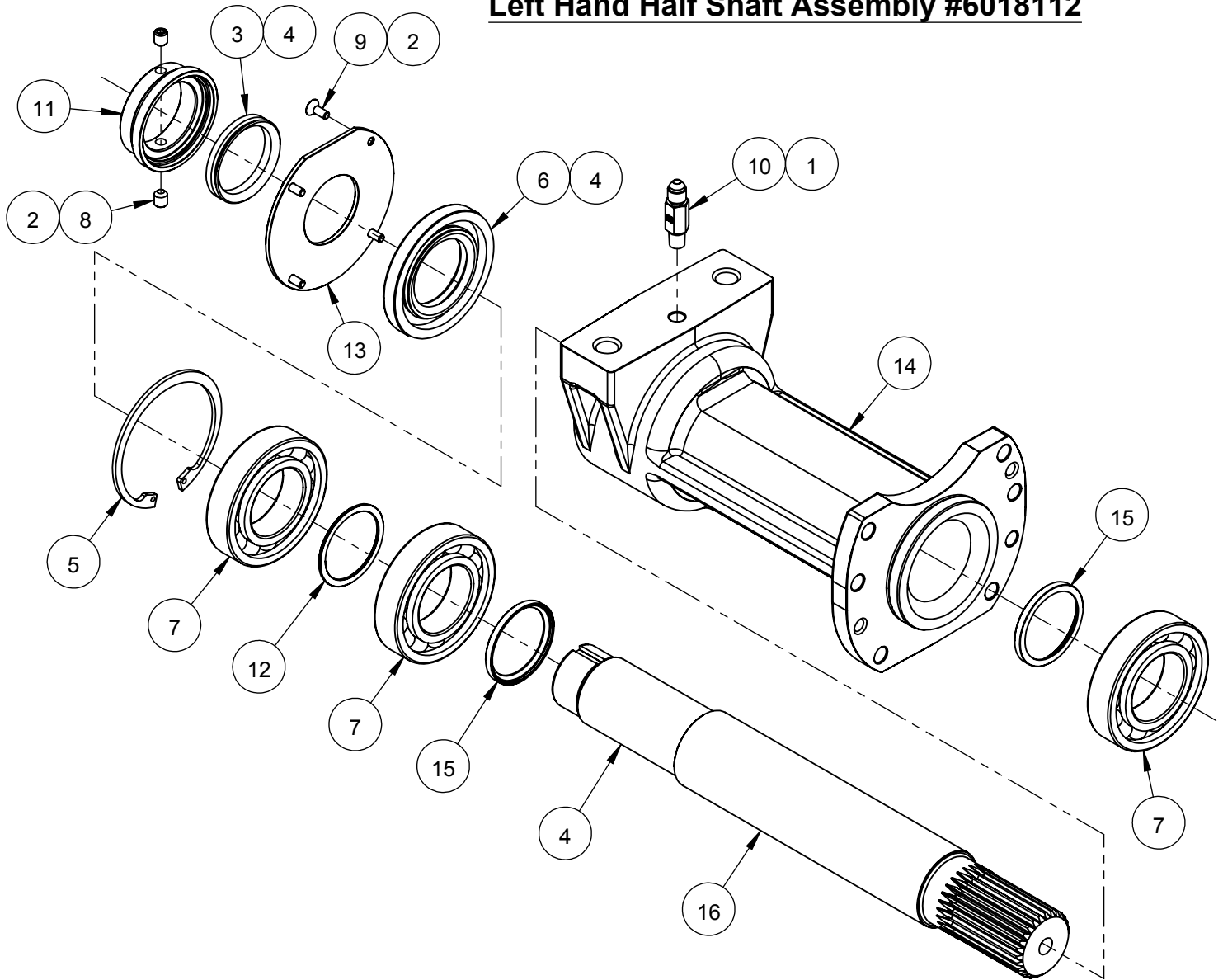
1. Change transmission oil & clean breather vent & pump suction filter every 100 hours.
2. To re-prime electric oil pump and clear oil lines, remove pump from bracket & place on floor. Disconnect bearing lube lines one at a time & place in bucket. Turn ignition switch to On position & let pump run until clean oil flows from each line.
3. Top off transmission with specified oil (min 50% of sight glass).

Right Hand Half Shaft Assembly #6018111



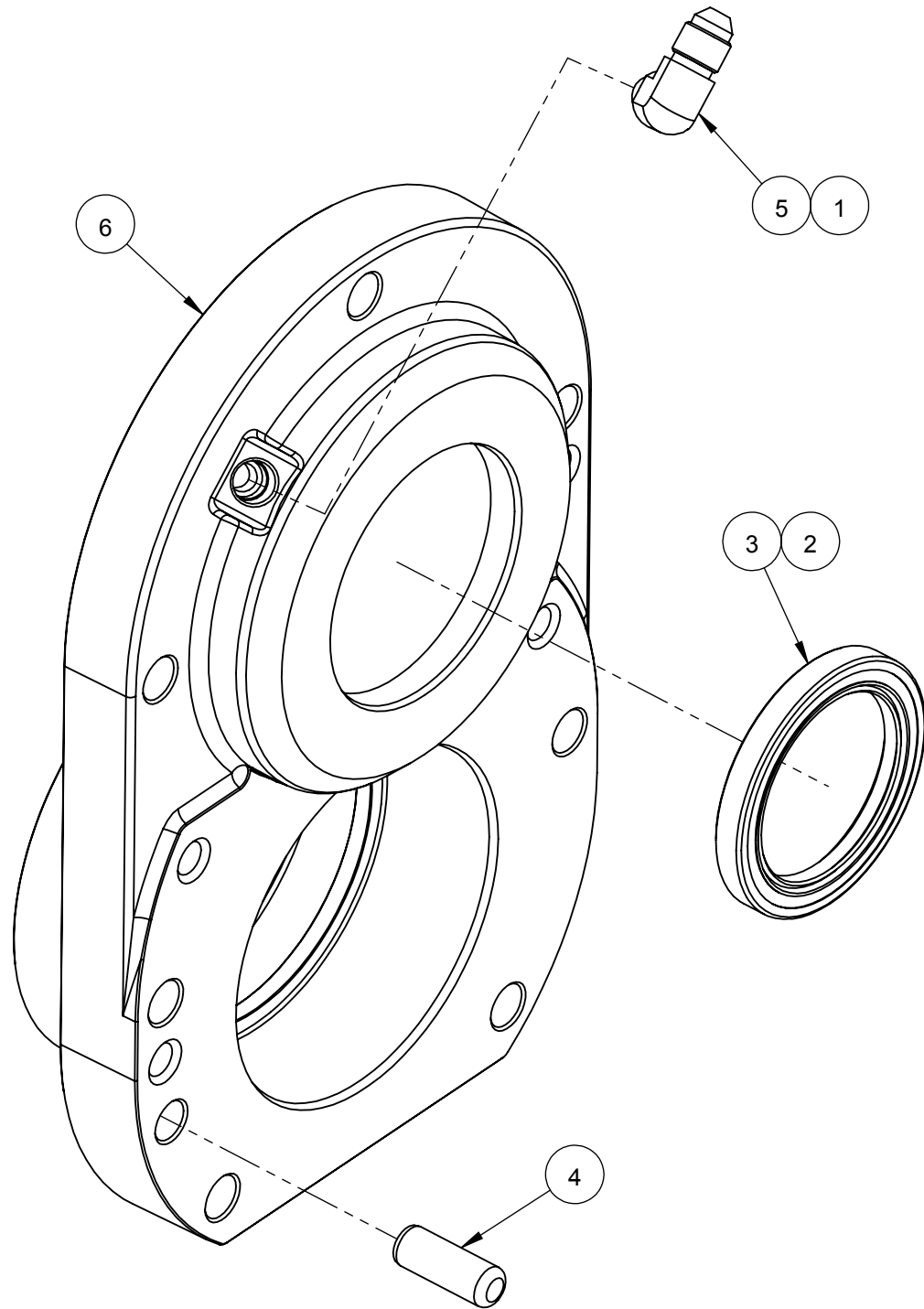
ITEM	PART NO.	QTY	DESCRIPTION
1	2401311	AR	Loctite #567 Thread Sealant
2	2401315	AR	Saf-T-Lok T42 Blue
3	2500751	1	Seal, 1-3/4" V-Ring
4	2502046	AR	Grease, Fuchs Synthetic
5	2502199	1	Retaining Ring, 85mm Internal
6	2503944	1	Oil Seal, 45 x 85 x 10mm
7	2705832	3	Ball Bearing, 45 x 85 x 19mm
8	2900142	2	Set Screw, Soc. Hd., 5/16-18 x 3/8"
9	2900978	4	Cap Screw, Flat Hd., #10-24 x 1/2"
10	3201893	1	Adapter, 1/8" M. Pipe to 1/4" M. JIC
11	6018028	1	V-Ring Cover
12	6018037	1	45mm x .06" Bearing Spacer
13	6018049	1	Seal Retainer
14	6018096	1	Bladeshaft Housing
15	6018097	2	Bladeshaft Bearing Spacer
16	6018098	1	Right Hand Half Shaft

Left Hand Half Shaft Assembly #6018112



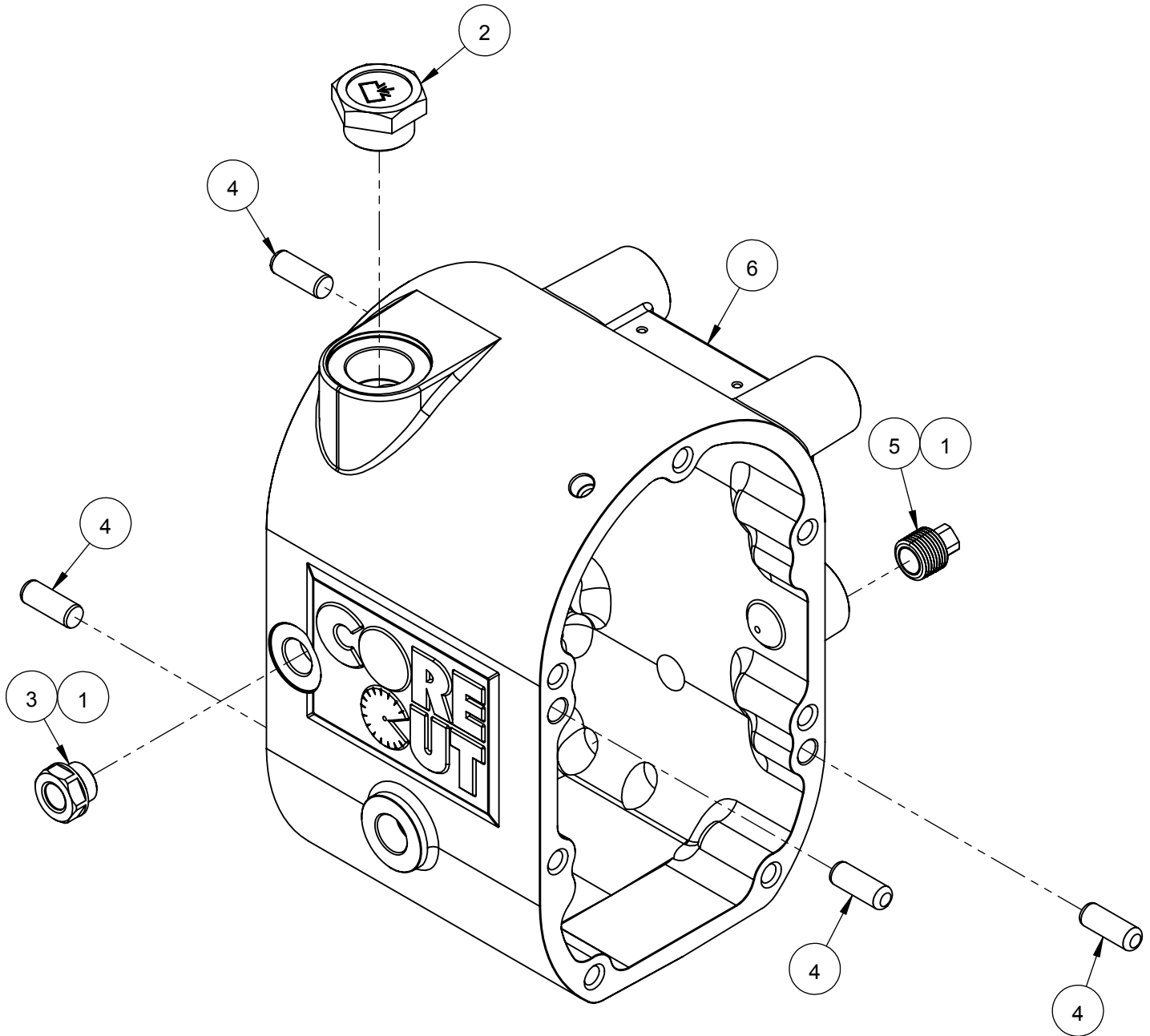
ITEM	PART NO.	QTY	DESCRIPTION
1	2401311	AR	Loctite #567 Thread Sealant
2	2401315	AR	Saf-T-Lok T42 Blue
3	2500751	1	Seal, 1-3/4" V-Ring
4	2502046	AR	Grease, Fuchs Synthetic
5	2502199	1	Retaining Ring, 85mm Internal
6	2503944	1	Oil Seal, 45 x 85 x 10mm
7	2705832	3	Ball Bearing, 45 x 85 x 19mm
8	2900142	2	Set Screw, Soc. Hd., 5/16-18 x 3/8"
9	2900978	4	Cap Screw, Flat Hd., #10-24 x 1/2"
10	3201893	1	Adapter, 1/8" M. Pipe to 1/4" M. JIC
11	6018028	1	V-Ring Cover
12	6018037	1	45mm x .06" Bearing Spacer
13	6018049	1	Seal Retainer
14	6018096	1	Bladeshaft Housing
15	6018097	2	Bladeshaft Bearing Spacer
16	6018099	1	Left Hand Half Shaft

Side Cover Assembly #6018113



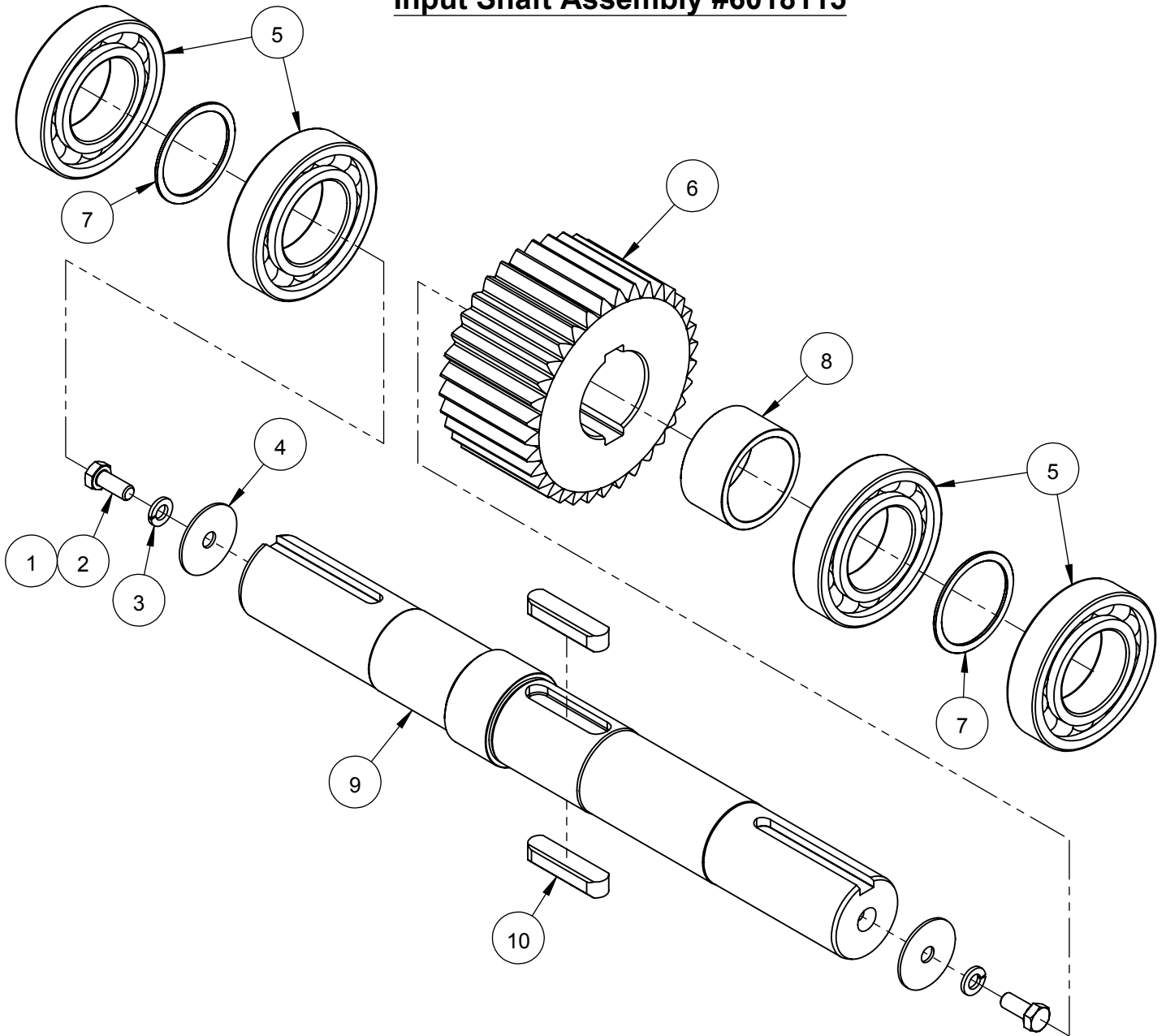
ITEM	PART NO.	QTY	DESCRIPTION
1	2401311	AR	Loctite #567 Thread Sealant
2	2502046	AR	Grease, Fuchs Synthetic
3	2503855	1	45 x 62 x 7mm Oil Seal
4	2900382	1	Dowel Pin, 3/8" Dia. x 1"
5	3201668	1	Elbow, 1/4" M. JIC to 1/8" M. Pipe
6	6018103	1	Side Cover

Main Housing Assembly #6018114



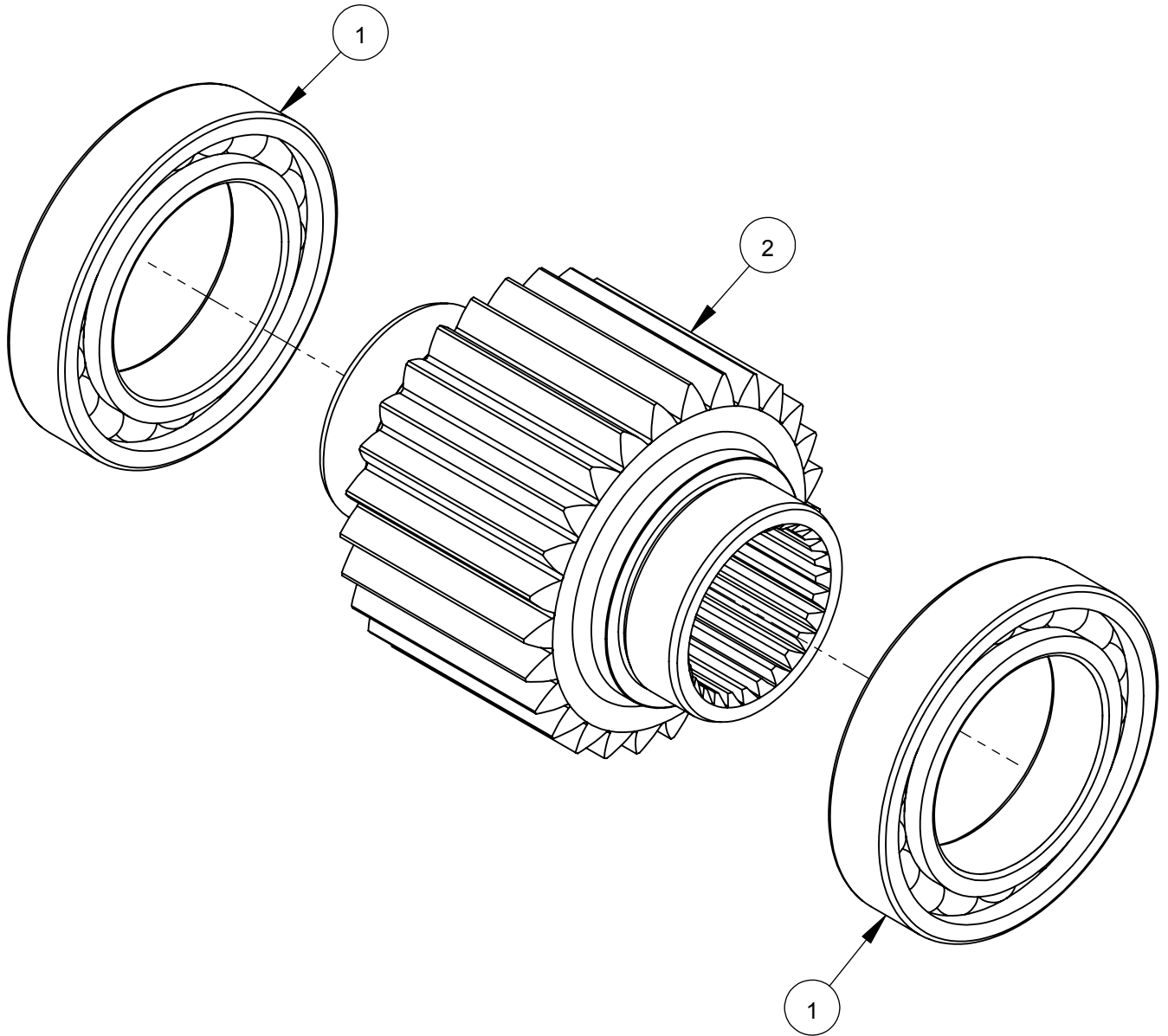
ITEM	PART NO.	QTY	DESCRIPTION
1	2401311	AR	Loctite #567 Thread Sealant
2	2503834	1	Oil Fill Cap
3	2503836	1	M16 x 1.5 Sight Glass
4	2900382	4	Dowel Pin, 3/8" Dia. x 1"
5	3201999	1	Magnetic Pipe Plug, 3/8" NPT
6	6018044	1	Single Speed Main Housing

Input Shaft Assembly #6018115



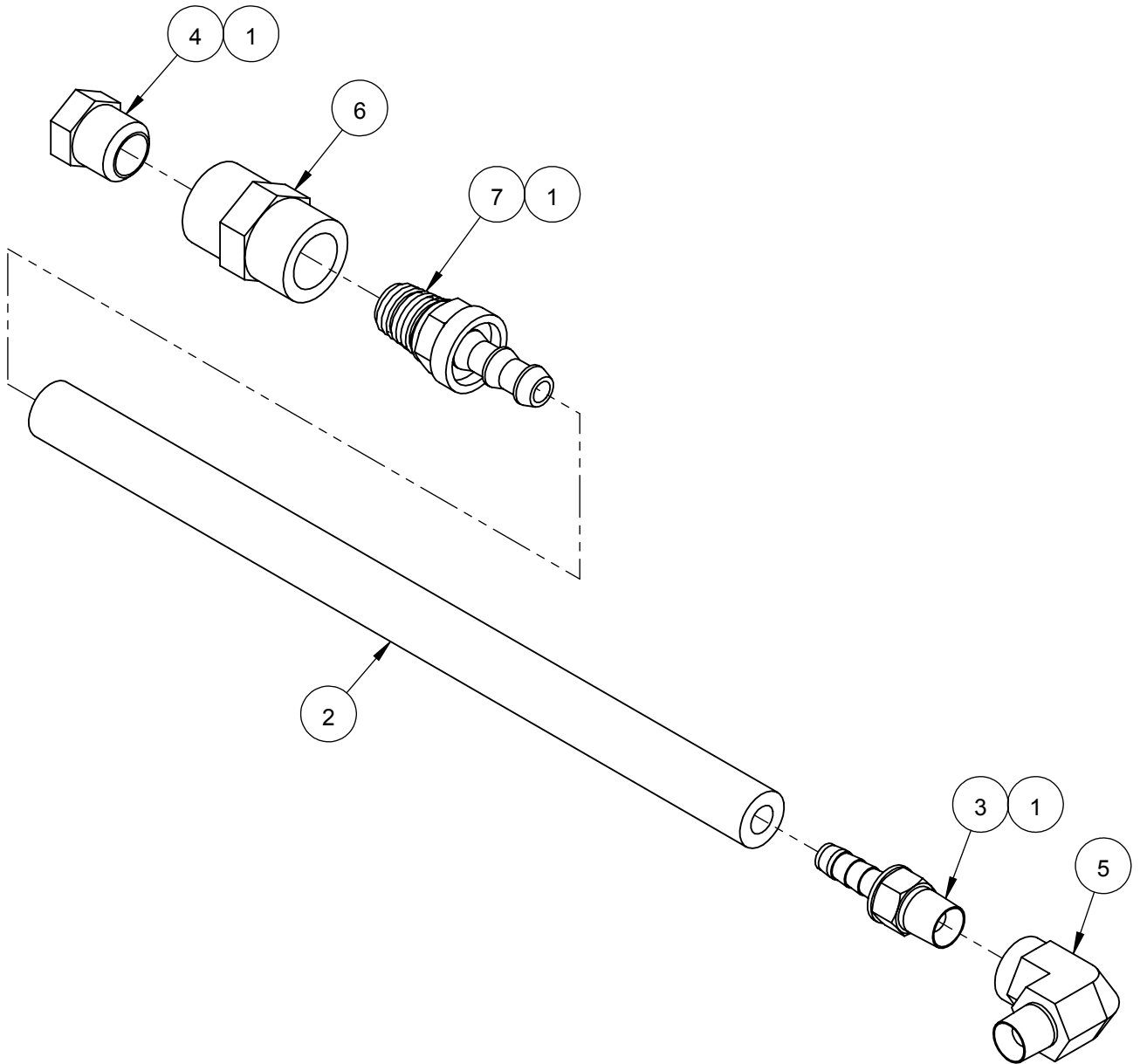
ITEM	PART NO.	QTY	DESCRIPTION
1	2401316	AR	Loctite #262 Red
2	2900019	2	Cap Screw, Hex Hd., 5/16-18 x 3/4"
3	2900031	2	Lock Washer, 5/16" Split
4	2900969	2	Fender Washer, 5/16 X 1.50"
5	2705832	4	Ball Bearing, 45 x 85 x 19mm
6	6018036	1	34T 8P 25PA 2.5F Spur Gear
7	6018037	2	45mm x .06" Bearing Spacer
8	6018038	1	45mm x 1.125" Bearing Spacer
9	6018040	1	Input Shaft
10	6018043	2	1/2 x 3/8 x 2" Rectangular Key

Spur Gear Assembly #6018116



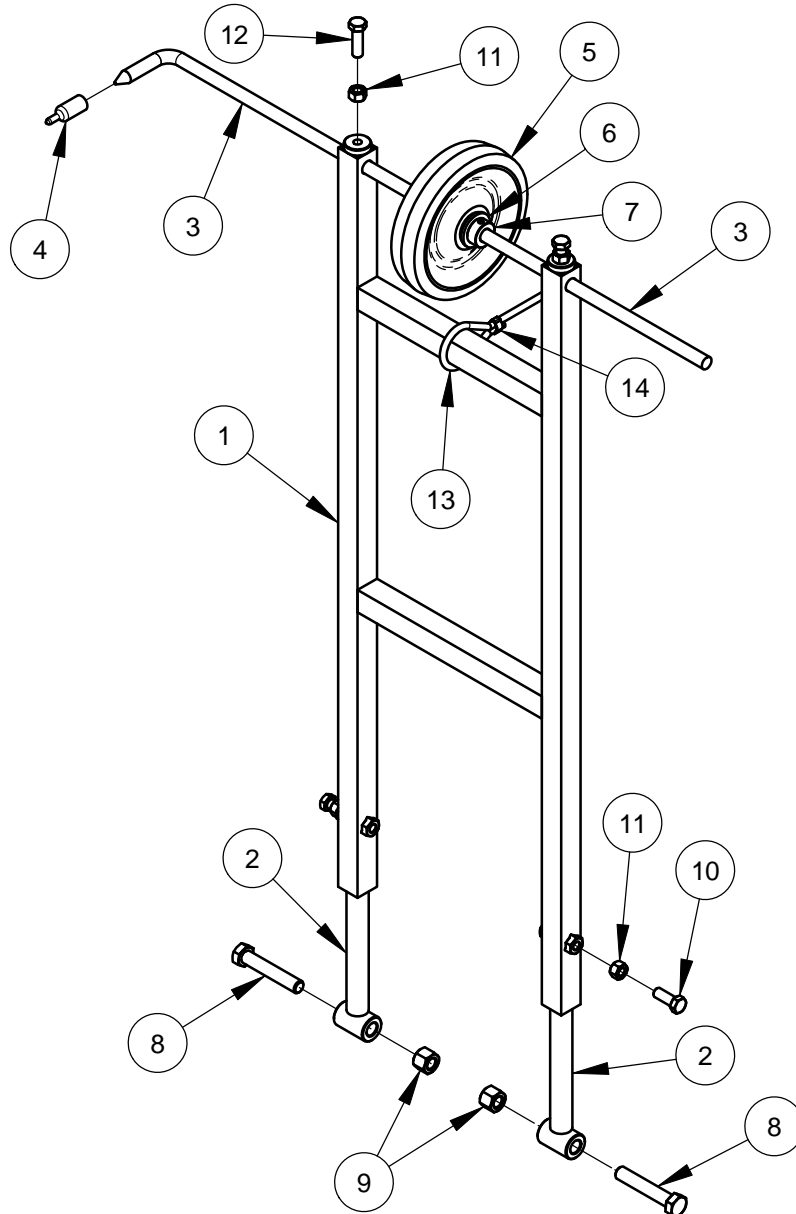
ITEM	PART NO.	QTY	DESCRIPTION
1	2503835	2	Ball Bearing, 55 x 90 x 18mm
2	6018100	1	27T 8P 25PA 2.5F Spur Gear

Vent Tube Assembly #6018117



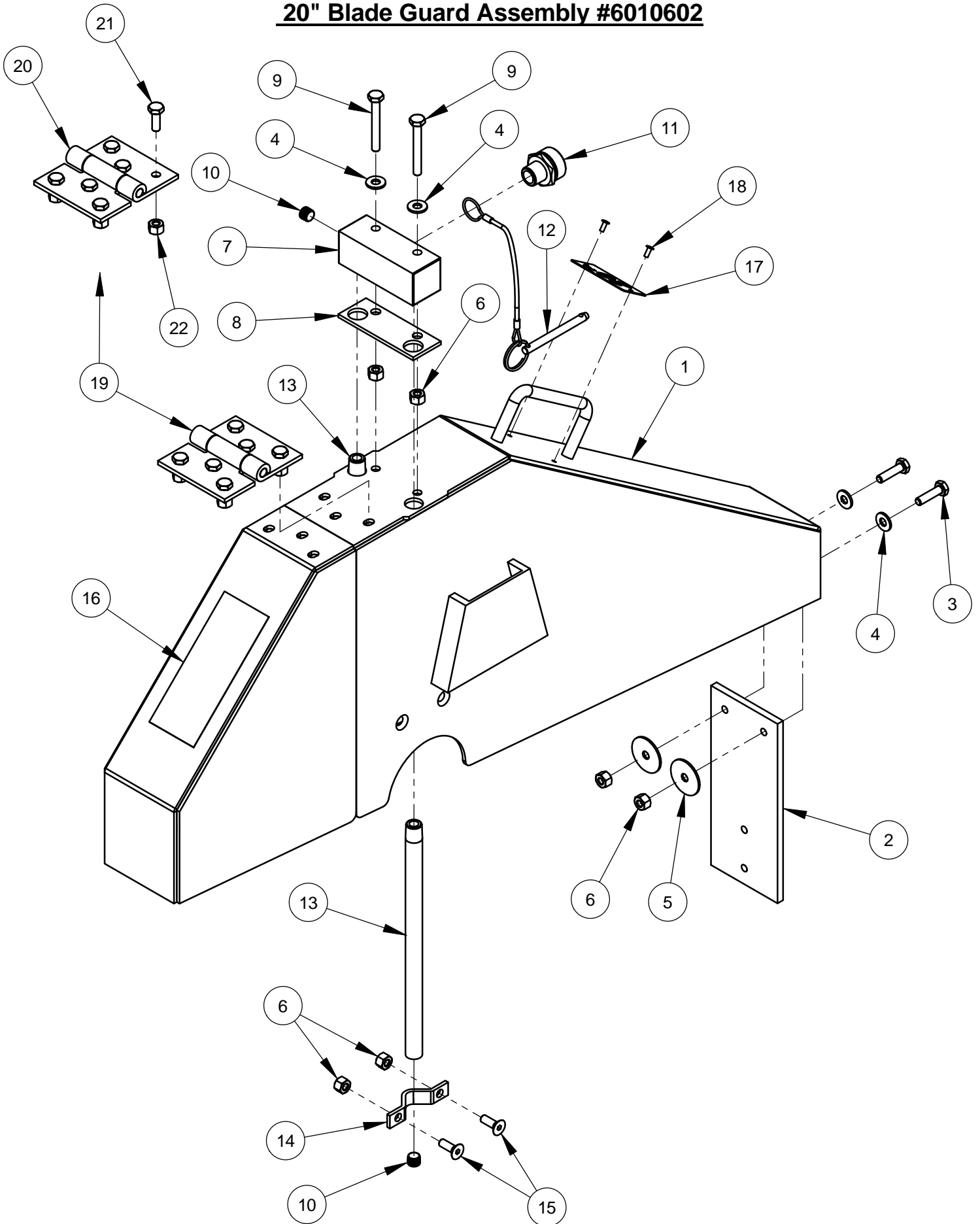
ITEM	PART NO.	QTY	DESCRIPTION
1	2401311	AR	Loctite #567 Thread Sealant
2	3200063	20"	1/4" Pushlok Hose
3	3200065	1	Fitting, 1/8" Male Pipe to 1/4" Push Lock
4	3200067	1	Breather Vent, 1/4" NPT
5	3200156	1	Street Elbow, 1/8" NPT
6	3201110	1	Coupling, 1/4" NPT
7	3201270	1	Fitting, 1/4" M. Pipe to 1/4" Pushlock

Front Pointer Assembly #6010540



ITEM	PART NO.	QTY.	DESCRIPTION
1	6010541	1	Front Pointer Frame
2	6011152	2	Front Pointer Arm
3	6013025	1	Front Pointer Rod
4	2500740	1	Pointer Cap
5	2501409	1	Wheel, 6"
6	2900127	2	Flat Washer, 1/2" USS
7	2500007	2	Set Collar, 1/2" with Set Screw
8	2900105	2	Cap Screw, Hex Hd., 1/2-13 x 2-3/4"
9	2900026	2	Lock Nut, 1/2-13 Nylon
10	2900005	2	Cap Screw, Hex Hd., 3/8-16 x 1"
11	2900033	4	Hex Nut, 3/8-16
12	2900013	2	Cap Screw, Hex Hd., 3/8-16 x 1-1/4"
13	6017241	1	Pointer Rope 11 Foot
14	3200221	2	Pinch Clamp, Two Ear

20" Blade Guard Assembly #6010602

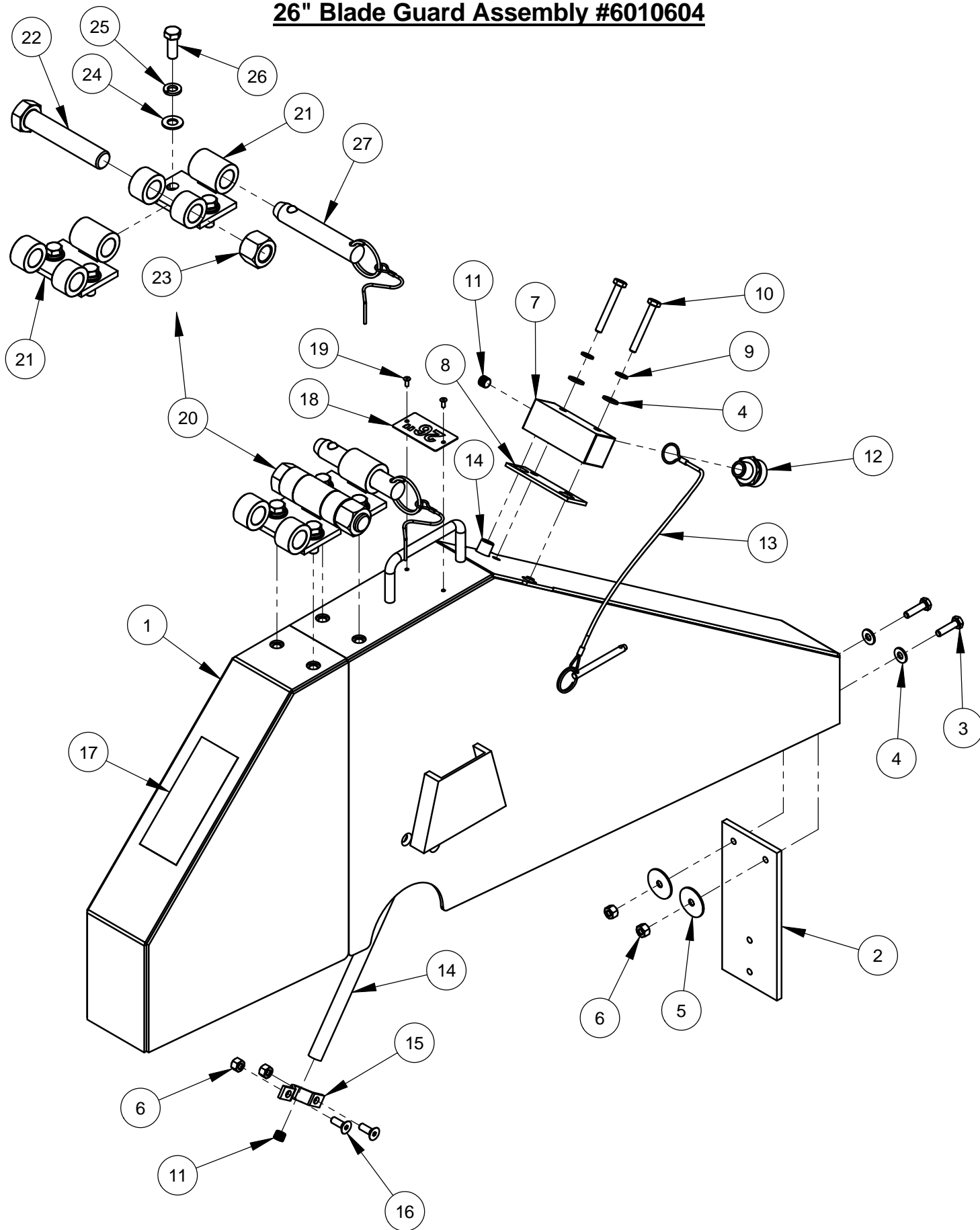


20" Blade Guard Assembly #6010602

ITEM	PART NO.	QTY.	DESCRIPTION
1	6010603	1	20" Blade Guard Front & Rear Only
2	6010081	1	Splash Flap
3	2900008	2	Cap Screw, Hex Hd., 1/4-20 x 1"
4	2900009	4	Flat Washer, 1/4" SAE
5	2900083	2	Fender Washer, 1/4" x 1-1/4"
6	2900010	8	Lock Nut, 1/4-20 Nylon
7	6010261	1	Water Manifold
8	2500830	1	Water Manifold Gasket
9	2900294	2	Cap Screw, Hex Hd., 1/4-20 x 2"
10	3200001	3	Plug, 1/8" NPT
11	3200002	1	Fitting, 3/8" M. Pipe to 3/4" M. Garden
12	2900278	1	Lanyard with Lock Pin
13	6010085	2	Water Tube for 20" Guard
14	6048155	2	Water Tube Clamp
15	2900020	4	Cap Screw, Flat Hd., 1/4-20 x 3/4"
16	1800001	1	Warning Label
17	1801369D	1	Blade Guard Size Tag
18	2900287	2	Rivet, 1/8" Dia.
19	6010251	1	Hinge Assembly for 20" Guard

ITEM	PART NO.	QTY.	DESCRIPTION
20	2500270	1	Blade Guard Hinge
21	2900144	6	Cap Screw, Hex Hd., 1/4-20 x 3/4"
22	2900010	6	Lock Nut, 1/4-20 Nylon

26" Blade Guard Assembly #6010604

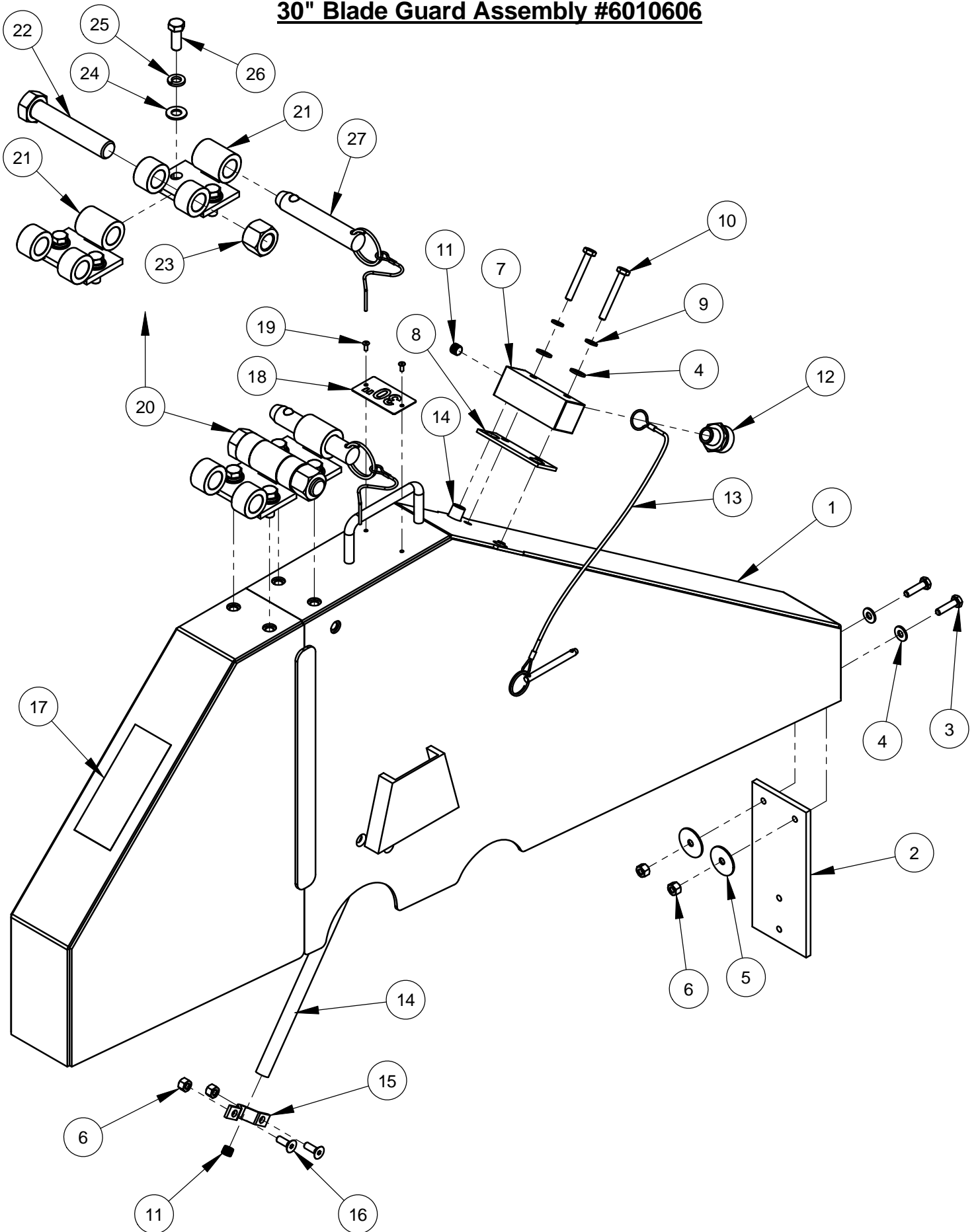


26" Blade Guard Assembly #6010604

ITEM	PART NO.	QTY.	DESCRIPTION
1	6010605	1	26" Blade Guard Front & Rear Only
2	6010081	1	Splash Flap
3	2900008	2	Cap Screw, Hex Hd., 1/4-20 x 1"
4	2900009	4	Flat Washer, 1/4" SAE
5	2900083	2	Fender Washer, 1/4" x 1-1/4"
6	2900010	6	Lock Nut, 1/4-20 Nylon
7	6010261	1	Water Manifold
8	2500830	1	Water Manifold Gasket
9	2900024	2	Lock Washer, 1/4" Split
10	2900294	2	Cap Screw, Hex Hd., 1/4-20 x 2"
11	3200001	3	Plug, 1/8" NPT
12	3200002	1	Fitting, 3/8" M. Pipe to 3/4" M. Garden
13	2900279	1	Lanyard with Lock Pin
14	6010086	2	Water Tube for 26" Guard
15	6048155	2	Water Tube Clamp
16	2900020	4	Cap Screw, Flat Hd., 1/4-20 x 3/4"
17	1800001	1	Warning Label
18	1801369F	1	Blade Guard Size Tag
19	2900287	2	Rivet, 1/8" Dia.
20	6010872	1	Universal Hinge Assembly

ITEM	PART NO.	QTY	DESCRIPTION
21	6010871	2	Hinge Weldment, Universal
22	2900479	1	Cap Screw, Hex Hd., 3/4-10 x 4"
23	2900467	1	Lock Nut, 3/4-10 Nylon
24	2900014	4	Flat Washer, 3/8" SAE
25	2900006	4	Lock Washer, 3/8" Split
26	2900005	4	Cap Screw, Hex Hd., 3/8-16 x 1"
27	2503824	1	Detent Pin, 3/4" x 3" Grip

30" Blade Guard Assembly #6010606

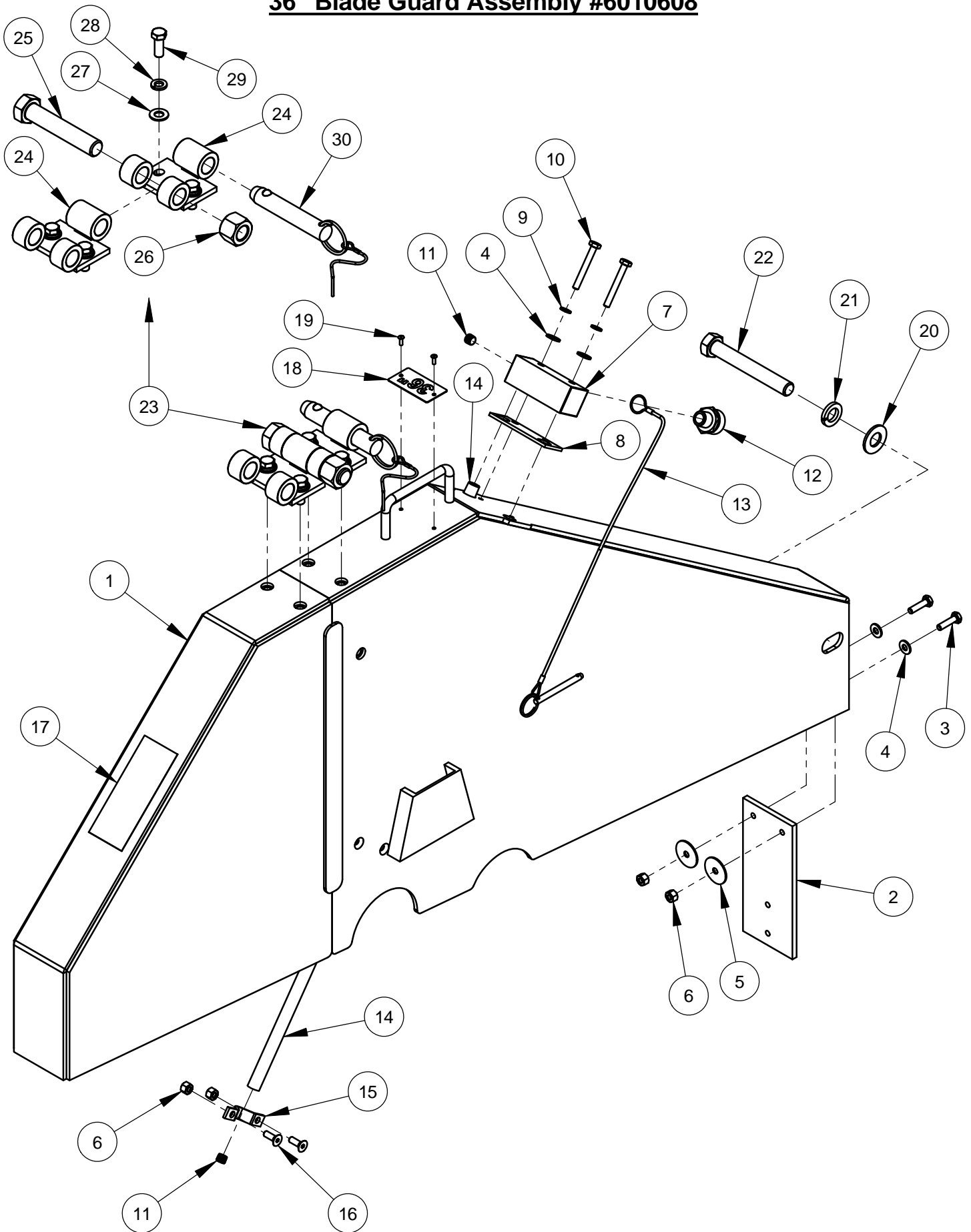


30" Blade Guard Assembly #6010606

ITEM	PART NO.	QTY.	DESCRIPTION
1	6010607	1	30" Blade Guard Front & Rear Only
2	6010081	1	Splash Flap
3	2900008	2	Cap Screw, Hex Hd., 1/4-20 x 1"
4	2900009	4	Flat Washer, 1/4" SAE
5	2900083	2	Fender Washer, 1/4" x 1-1/4"
6	2900010	6	Lock Nut, 1/4-20 Nylon
7	6010261	1	Water Manifold
8	2500830	1	Water Manifold Gasket
9	2900024	2	Lock Washer, 1/4" Split
10	2900294	2	Cap Screw, Hex Hd., 1/4-20 x 2"
11	3200001	3	Plug, 1/8" NPT
12	3200002	1	Fitting, 3/8" M. Pipe to 3/4" M. Garden
13	2900279	1	Lanyard with Lock Pin
14	6010087	2	Water Tube for 30" Guard
15	6048155	2	Water Tube Clamp
16	2900020	4	Cap Screw, Flat Hd., 1/4-20 x 3/4"
17	1800001	1	Warning Label
18	1801369G	1	Blade Guard Size Tag
19	2900287	2	Rivet, 1/8" Dia.
20	6010872	1	Universal Hinge Assembly

ITEM	PART NO.	QTY	DESCRIPTION
21	6010871	2	Hinge Weldment, Universal
22	2900479	1	Cap Screw, Hex Hd., 3/4-10 x 4"
23	2900467	1	Lock Nut, 3/4-10 Nylon
24	2900014	4	Flat Washer, 3/8" SAE
25	2900006	4	Lock Washer, 3/8" Split
26	2900005	4	Cap Screw, Hex Hd., 3/8-16 x 1"
27	2503824	1	Detent Pin, 3/4" x 3" Grip

36" Blade Guard Assembly #6010608

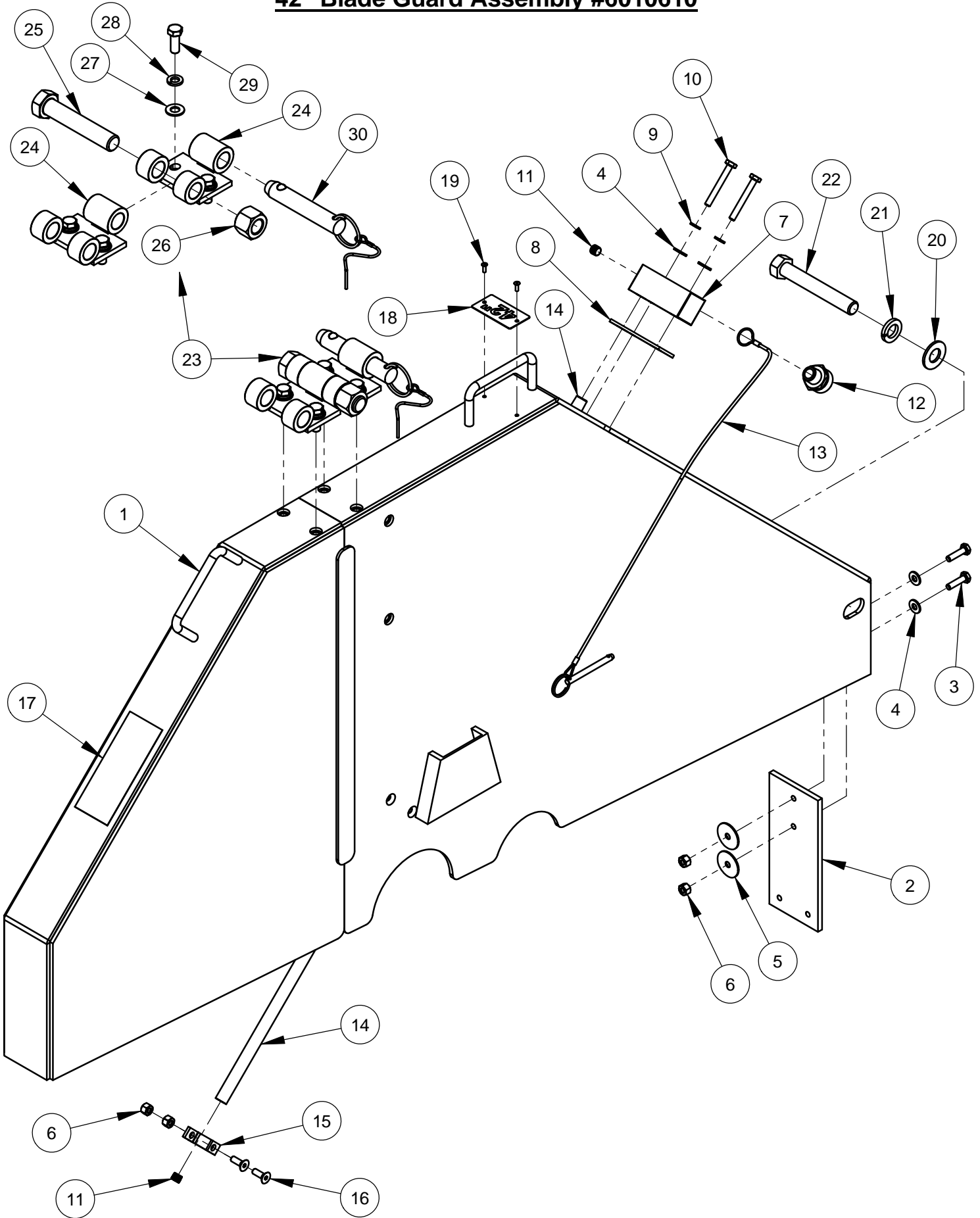


36" Blade Guard Assembly #6010608

ITEM	PART NO.	QTY.	DESCRIPTION
1	6010609	1	36" Blade Guard Front & Rear Only
2	6010081	1	Splash Flap
3	2900008	2	Cap Screw, Hex Hd., 1/4-20 x 1"
4	2900009	4	Flat Washer, 1/4" SAE
5	2900083	2	Fender Washer, 1/4" x 1-1/4"
6	2900010	6	Lock Nut, 1/4-20 Nylon
7	6010264	1	Water Manifold for 36" Guard
8	2500830	1	Water Manifold Gasket
9	2900024	2	Lock Washer, 1/4" Split
10	2900294	2	Cap Screw, Hex Hd., 1/4-20 x 2"
11	3200001	3	Plug, 1/8" NPT
12	3200002	1	Fitting, 3/8" M. Pipe to 3/4" M. Garden
13	2900280	1	Lanyard with Lock Pin
14	6010088	2	Water Tube for 36" Guard
15	6048155	2	Water Tube Clamp
16	2900020	4	Cap Screw, Flat Hd., 1/4-20 x 3/4"
17	1800001	1	Warning Label
18	1801369H	1	Blade Guard Size Tag
19	2900639	2	Rivet, 1/8" Dia.
20	2900002	1	Flat Washer, 5/8" SAE
21	2900113	1	Lock Washer, 5/8" Split
22	2900585	1	Cap Screw, Hex Hd., 5/8-11 x 4-1/2"
23	6010872	1	Universal Hinge Assembly

ITEM	PART NO.	QTY	DESCRIPTION
24	6010871	2	Hinge Weldment, Universal
25	2900479	1	Cap Screw, Hex Hd., 3/4-10 x 4"
26	2900467	1	Lock Nut, 3/4-10 Nylon
27	2900014	4	Flat Washer, 3/8" SAE
28	2900006	4	Lock Washer, 3/8" Split
29	2900005	4	Cap Screw, Hex Hd., 3/8-16 x 1"
30	2503824	1	Detent Pin, 3/4" x 3" Grip

42" Blade Guard Assembly #6010610



42" Blade Guard Assembly #6010610

ITEM	PART NO.	QTY	DESCRIPTION
1	6010611	1	42" Blade Guard Front & Rear Only
2	6010081	1	Splash Flap
3	2900008	2	Cap Screw, Hex Hd., 1/4-20 x 1"
4	2900009	4	Flat Washer, 1/4" SAE
5	2900083	2	Fender Washer, 1/4" x 1-1/4"
6	2900010	6	Lock Nut, 1/4-20 Nylon
7	6010273	1	Water Manifold
8	2500859	1	Water Manifold Gasket
9	2900024	2	Lock Washer, 1/4" Split
10	2900294	2	Cap Screw, Hex Hd., 1/4-20 x 2"
11	3200001	3	Plug, 1/8" NPT
12	3200002	1	Fitting, 3/8" M. Pipe to 3/4" M. Garden
13	2900280	1	Lanyard with Lock Pin
14	6010114	2	Water Tube for 42" Guard
15	6048155	2	Water Tube Clamp
16	2900020	4	Cap Screw, Flat Hd., 1/4-20 x 3/4"
17	1800001	1	Warning Label
18	1801369I	1	Blade Guard Size Tag
19	2900639	2	Rivet, 1/8" Dia.
20	2900002	1	Flat Washer, 5/8" SAE
21	2900113	1	Lock Washer, 5/8" Split
22	2900601	1	Cap Screw, Hex Hd., 5/8-11 x 4-1/4"
23	6010872	1	Universal Hinge Assembly

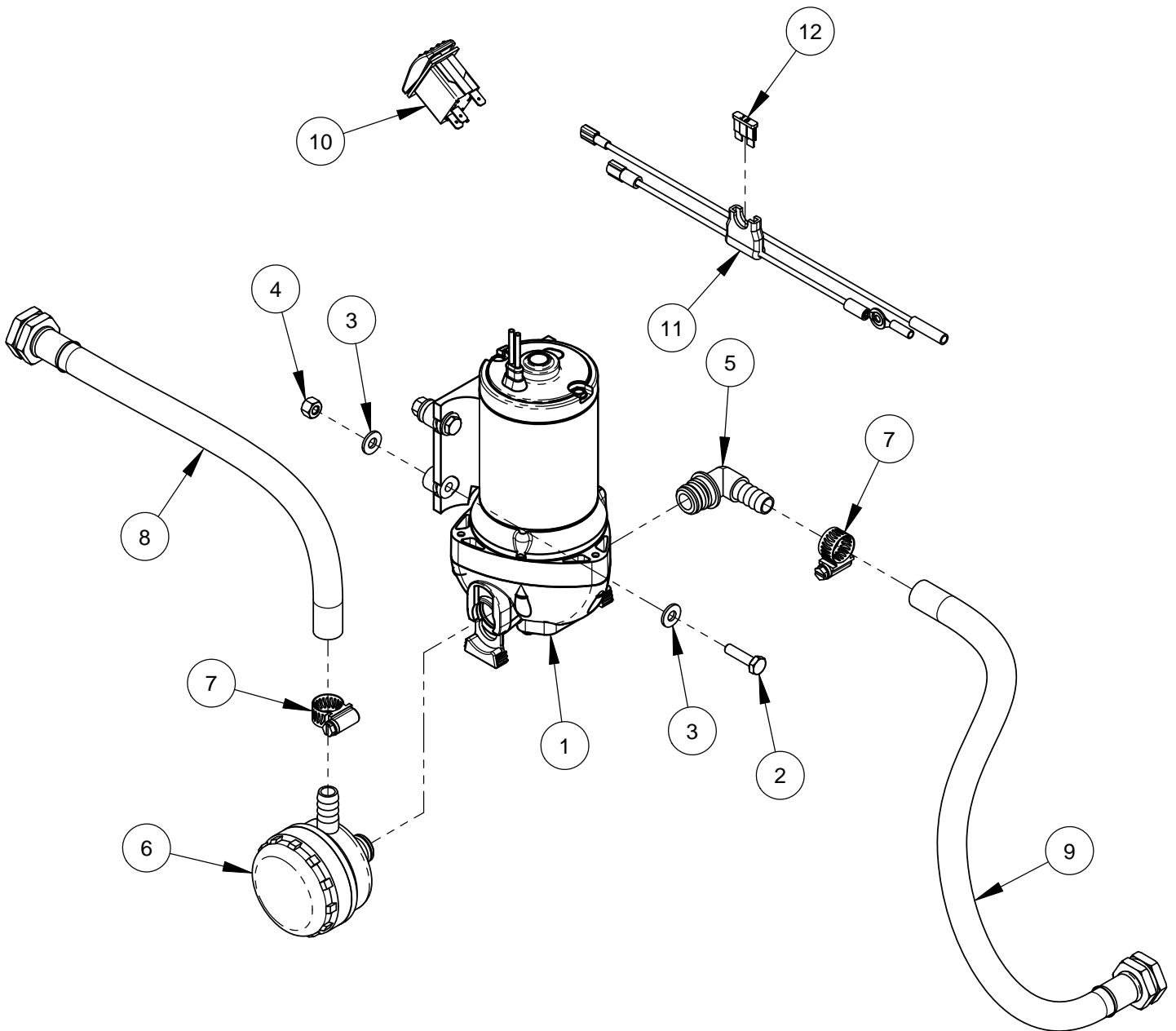
ITEM	PART NO.	QTY	DESCRIPTION
24	6010871	2	Hinge Weldment, Universal
25	2900479	1	Cap Screw, Hex Hd., 3/4-10 x 4"
26	2900467	1	Lock Nut, 3/4-10 Nylon
27	2900014	4	Flat Washer, 3/8" SAE
28	2900006	4	Lock Washer, 3/8" Split
29	2900005	4	Cap Screw, Hex Hd., 3/8-16 x 1"
30	2503824	1	Detent Pin, 3/4" x 3" Grip

48" Blade Guard Assembly #6010612

ITEM	PART NO.	QTY	DESCRIPTION
1	6010613	1	48" Blade Guard Front & Rear Only
2	6010081	1	Splash Flap
3	2900008	2	Cap Screw, Hex Hd., 1/4-20 x 1"
4	2900009	4	Flat Washer, 1/4" SAE
5	2900083	2	Fender Washer, 1/4" x 1-1/4"
6	2900010	6	Lock Nut, 1/4-20 Nylon
7	6010273	1	Water Manifold
8	2500859	1	Water Manifold Gasket
9	2900024	2	Lock Washer, 1/4" Split
10	2900294	2	Cap Screw, Hex Hd., 1/4-20 x 2"
11	3200001	3	Plug, 1/8" NPT
12	3200002	1	Fitting, 3/8" M. Pipe to 3/4" M. Garden
13	2900281	1	Lanyard with Lock Pin
14	6010115	2	Water Tube for 48" Guard
15	6048155	2	Water Tube Clamp
16	2900020	4	Cap Screw, Flat Hd., 1/4-20 x 3/4"
17	1800001	1	Warning Label
18	1801369J	1	Blade Guard Size Tag
19	2900639	2	Rivet, 1/8" Dia.
20	2900002	1	Flat Washer, 5/8" SAE
21	2900113	1	Lock Washer, 5/8" Split
22	2900601	1	Cap Screw, Hex Hd., 5/8-11 x 4-1/4"
23	6010872	1	Universal Hinge Assembly

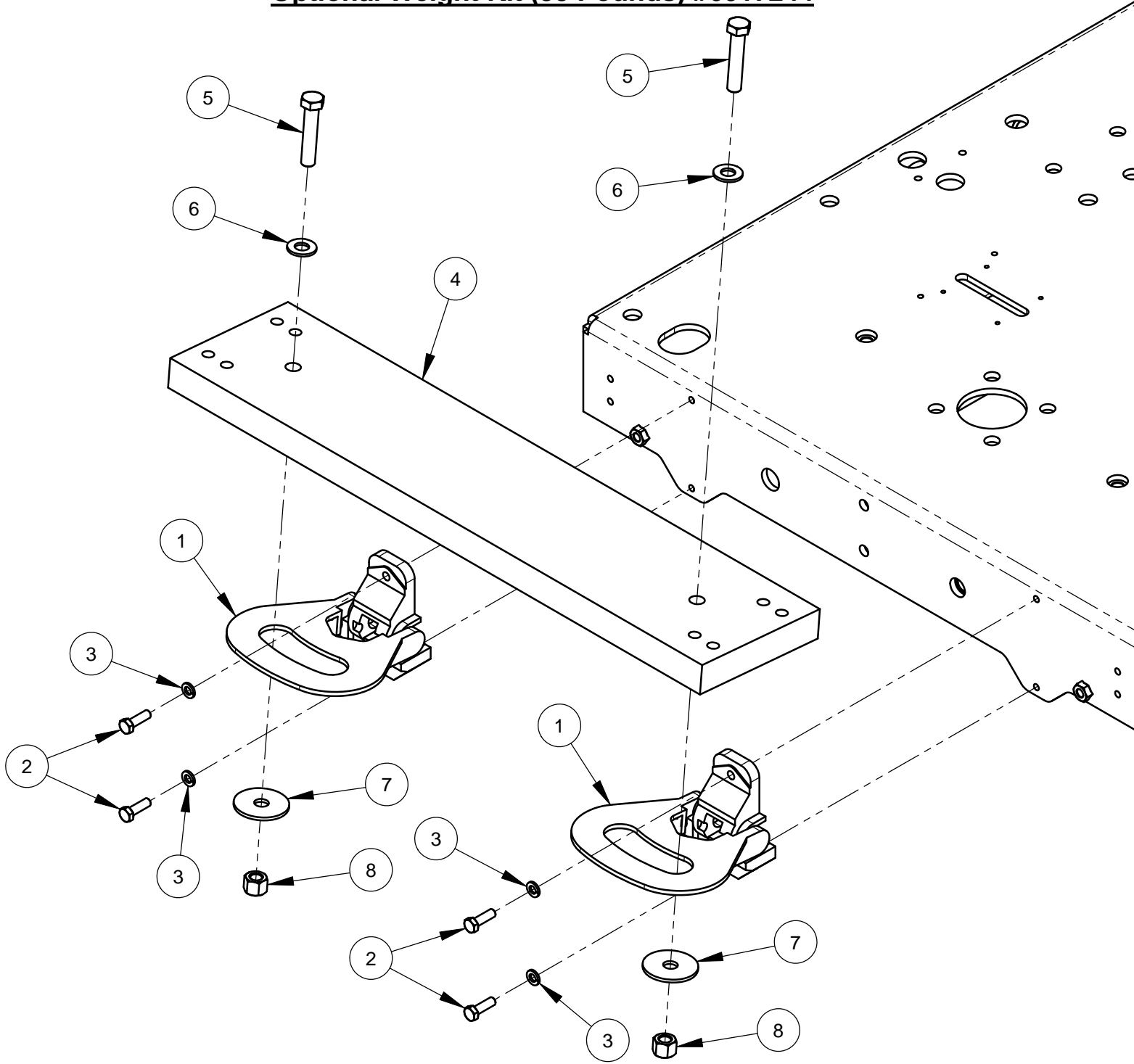
ITEM	PART NO.	QTY	DESCRIPTION
24	6010871	2	Hinge Weldment, Universal
25	2900479	1	Cap Screw, Hex Hd., 3/4-10 x 4"
26	2900467	1	Lock Nut, 3/4-10 Nylon
27	2900014	4	Flat Washer, 3/8" SAE
28	2900006	4	Lock Washer, 3/8" Split
29	2900005	4	Cap Screw, Hex Hd., 3/8-16 x 1"
30	2503824	1	Detent Pin, 3/4" x 3" Grip

Optional Water Pump Assembly #6017183



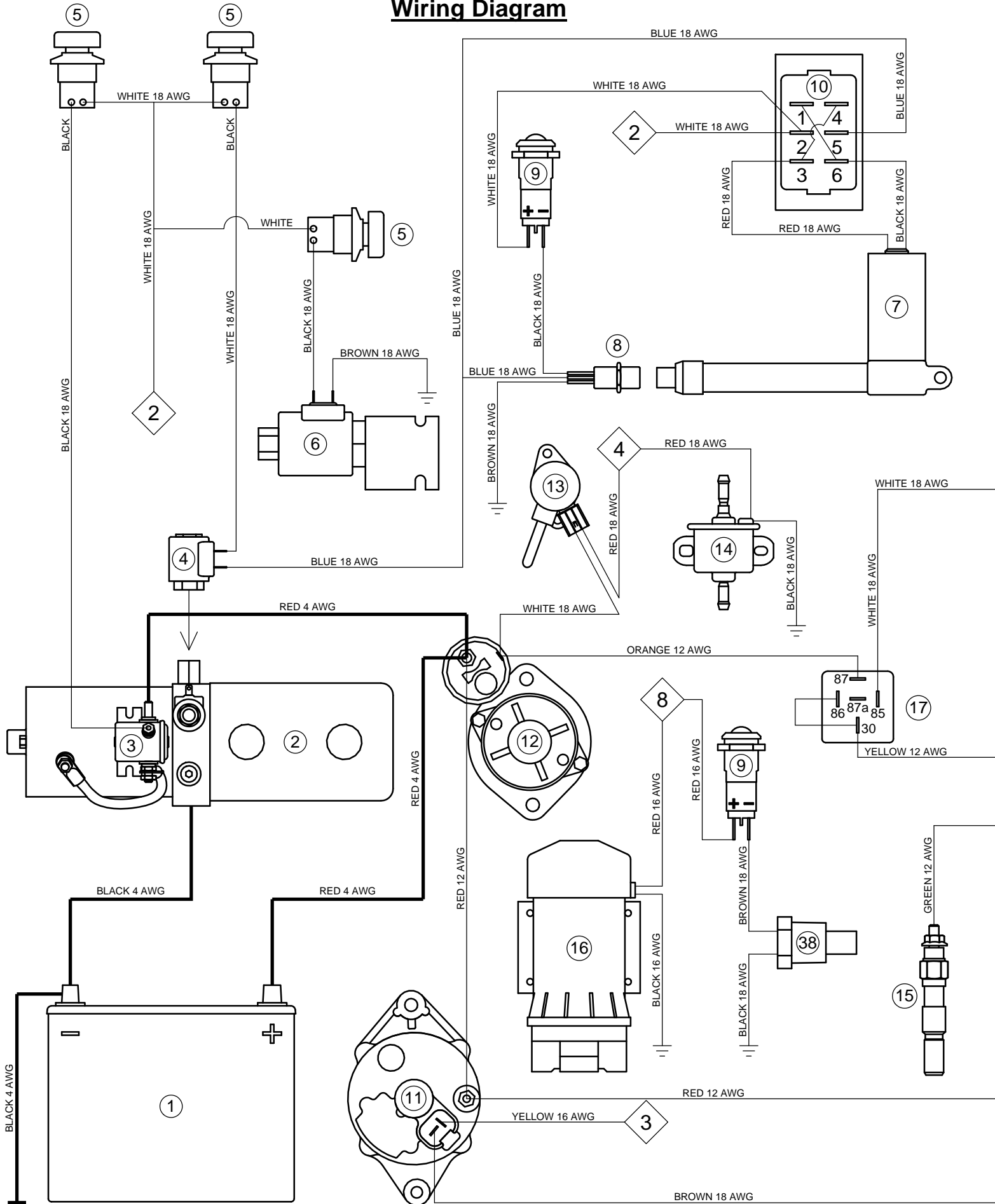
ITEM	PART NO.	QTY	DESCRIPTION
1	2600655	1	Water Pump, 12V Diaphragm
2	2900008	4	Cap Screw, Hex Hd., 1/4-20 x 1"
3	2900009	8	Flat Washer, 1/4" SAE
4	2900010	4	Lock Nut, 1/4-20 Nylon
5	2701694	1	Port Fitting, 1/2" Barb x 90 Degree
6	2703198	1	Inlet Strainer
7	3200016	2	Hose Clamp #8
8	6017195	1	Water Hose Assembly 14"
9	6010303	1	Water Hose Assembly 60"
10	2800808	1	Rocker Switch
11	6017275	1	Water Pump Harness
12	2800512	1	Fuse, 15 Amp Blue ATO/ATC

Optional Weight Kit (55 Pounds) #6017244

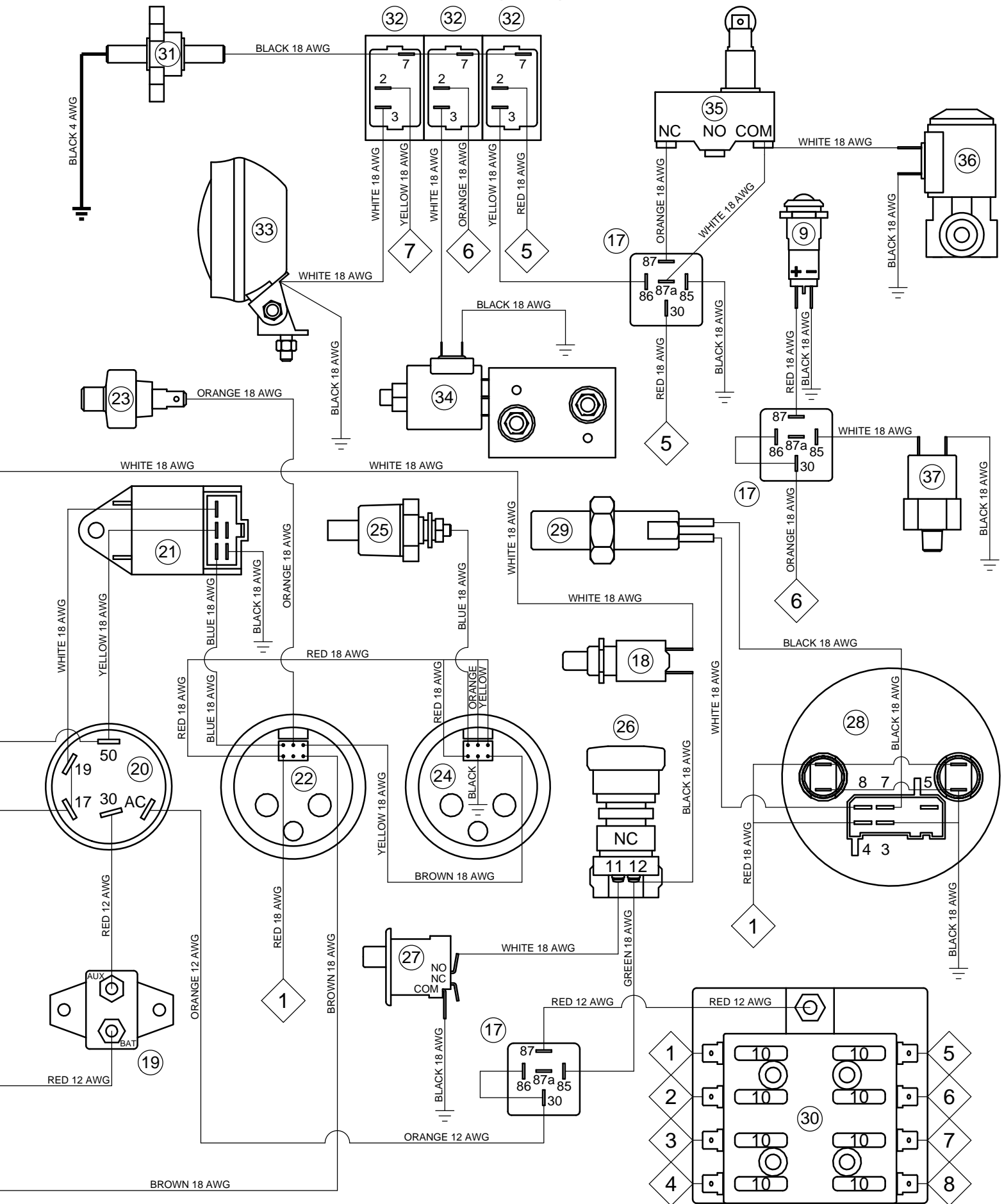


ITEM	PART NO.	QTY	DESCRIPTION
1	2503798	2	Foot Rest, Folding
2	2900138	4	Cap Screw, Hex Hd., 5/16-18 x 1"
3	2900031	4	Lock Washer, 5/16" Split
4	6013042	1	Saw Weight, 55 Pound
5	2900811	2	Cap Screw, Hex Hd., 1/2-13 x 2-1/2"
6	2900058	2	Flat Washer, 1/2" SAE
7	2900854	2	Fender Washer, 1/2" x 2"
8	2900026	2	Lock Nut, 1/2-13 Nylon

Wiring Diagram



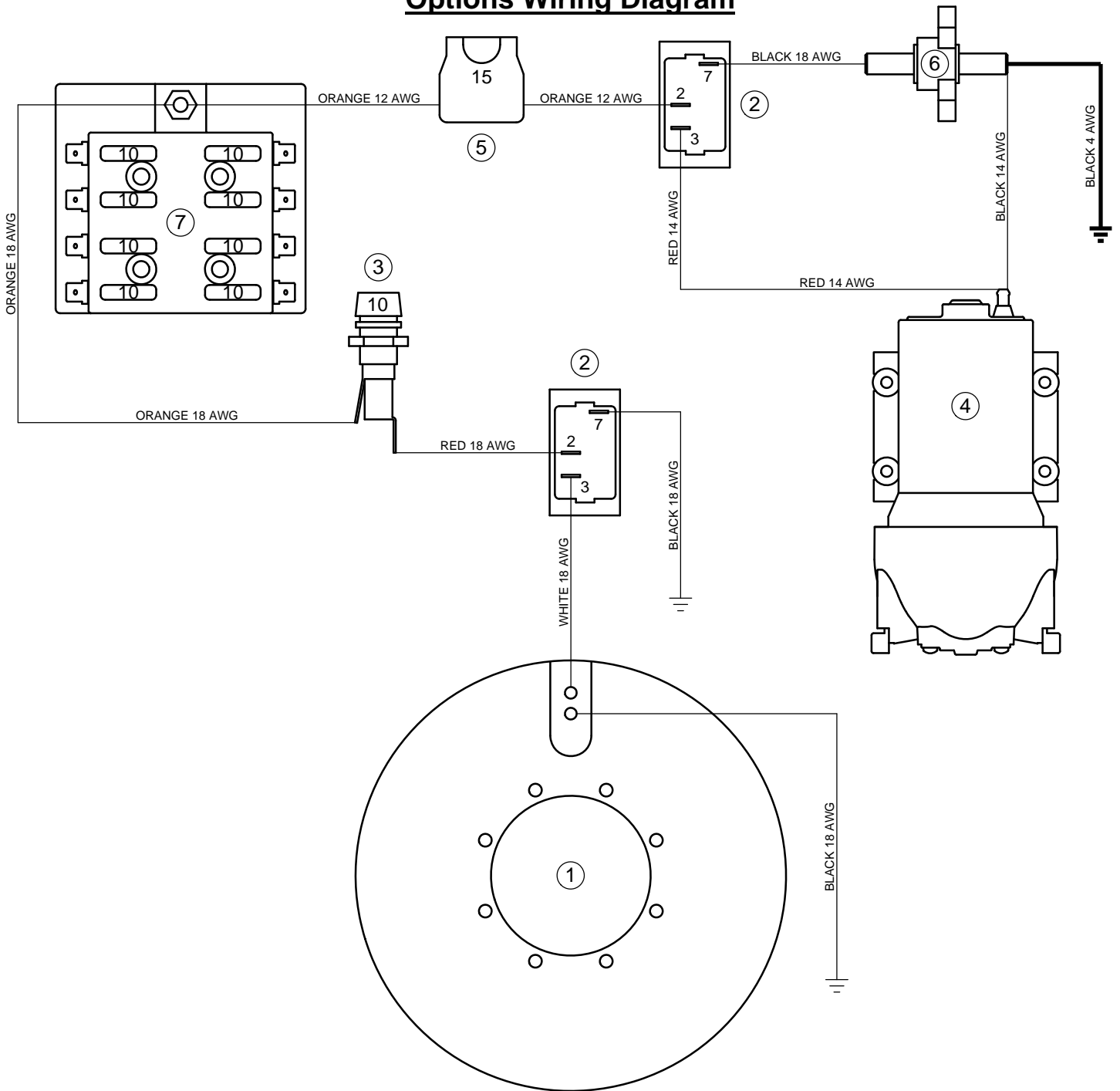
Wiring Diagram



Wiring Diagram

ITEM	PART NO.	QTY	DESCRIPTION
1	2800465	1	Battery, 12 Volt Group Size 24
2	2600437	1	Hydraulic Pump Unit (Includes #3 & #4)
3	2700169	1	Solenoid Switch, Motor
4	2700243	1	Valve Coil
	2700244	1	Valve Stem
5	2800373	3	Pushbutton Switch (B&W)
6	3201660	1	Valve, Solenoid Blocking
7	2503726	1	Actuator
8	2800637	1	Magnetic Proximity Sensor
9	2800640	3	Indicator Light (Red)
10	2800258	1	Rocker Switch Body
	2800259	1	Rocker Switch Actuator
11	2704961	1	Alternator
12	2704960	1	Starter
13	2704964	1	Fuel Solenoid
14	2705005	1	Fuel Pump
15	2704962	1	Glow Plug
16	6017317	1	Oil Pump, 12V Diaphragm
17	2800144	4	Relay, 50 Amp, 12V, SPDT
18	2800876	1	Neutral Safety Switch N.C.
19	2800643	1	Circuit Breaker, 40 Amp
	2800364	1	Circuit Breaker Boot, Red
20	2705001	1	Ignition Switch & Keys
	2705000	1	Ignition Keys Only (Pair)
21	2705006	1	Timer, 12V DC
22	2705003	1	Cluster Gauge, 4 Warning Light
23	2704963	1	Oil Pressure Sender
24	2800617	1	Water Temperature Gauge
25	2800624	1	Water Temperature Sender
26	2801367	1	E-Stop Switch
27	2800607	1	Door Interlock Switch
28	6017197	1	Tach/Hour Meter (VDO) Calibrated
29	2800878	1	Magnetic Sensor w/Nut & Connector
30	2800696	1	Fuse Panel, 8 Circuit
	2800389	8	Fuse, 10 Amp Red ATO/ATC
31	2800626	1	Ground Stud Block
32	2800808	3	Rocker Switch
33	2500194	1	Spot Light, 12 Volt
34	3201664	1	Valve Block Unit
35	2800609	1	Limit Switch, Roller Plunger
36	3200775	1	Water Solenoid Valve N.C.
37	2800060	1	Water Pressure Safety Switch N.C.
38	2800892	1	Temperature Sender N.O.

Options Wiring Diagram



ITEM	PART NO.	QTY	DESCRIPTION
1	2503822	1	Warner Electric Clutch
2	2800808	2	Rocker Switch
3	2800481	1	Fuse Holder
	2800806	1	Fuse, 10 Amp
4	2600655	1	Water Pump, 12V Diaphragm
5	6017275	1	Water Pump Harness
	2800512	1	Fuse, 15 Amp Blue ATO/ATC
6	2800626	1	Ground Stud Block
7	2800696	1	Fuse Panel, 8 Circuit

Decal Group

DIAMOND PRODUCTS CORE CUT CC7074

333 PROSPECT STREET
ELYRIA, OHIO 44024 USA
PHONE: 330.931.9336
www.diamondproducts.com

BLADE SIZE	BLADE RPM	LOWER SHEAVES	UPPER SHEAVES	ENGINE RPM	BELT SIZE	FLANGE SIZE	MAX CUT DEPTH
20"	2,475	3.65"	6.5"	2,800	5/8VX375	5"	7-11"
26"	2,075	4"	6"	2,800	5/8VX375	5"	10-11 1/4"
30"	1,725	4.5"	5.6"	2,800	5/8VX375	5"	12-11 1/4"
36"	1,475	4.75"	5"	2,800	5/8VX375	6"	14-3 1/4"
42"	1,175	4.75"	4"	2,800	5/8VX355	7"	17-1 1/4"
48"	1,050	4.75"	4"	2,500	5/8VX355	8"	19-3 1/4"

WARNING! NEVER EXCEED THE MAXIMUM RPM STAMPED ON BLADE!
EXCESSIVE SPEED CAN CAUSE BLADE BREAKAGE RESULTING IN SERIOUS PERSONAL INJURY OR DEATH!

Always check the blade's RPM before mounting blades.
Only use blades with a rated speed higher than the maximum speed.
Blade speed is affected by engine speed, blade weight, cutting or grinding angle.
The maximum blade speed is stamped on the blade.
Do not use a blade RPM that exceeds the maximum for each blade.
Always use safety with the blade guard in place or when cutting.
Blade speed is affected by engine speed, blade weight, cutting or grinding angle.
The maximum blade speed is stamped on the blade.
Do not use a blade RPM that exceeds the maximum for each blade.
Always use safety with the blade guard in place or when cutting.

EMERGENCY STOP
ENGINE THROTTLE
FLAMMABLE FUEL
WARNING!
REAR AXLE ADJUSTMENT
BLADE DEPTH SET
OVERRIDE BLADE DEPTH
FLUID LEVEL FULL COLD
BLADE RPM
ENGINE COOLANT TEMP.
ENGINE START
LOW BLADE WATER
BLADE DEPTH SET
AUTO WATER
FREE WHEEL
SPOT LIGHT
WATER PUMP

RAISE LOWER FORWARD STOP REVERSE
SPEED CONTROL LEVER MUST BE IN STOP POSITION TO START ENGINE

#1801374

CORE CUT
CC7074

#1801375 (QTY. 2)

DIAMOND PRODUCTS CORE CUT CC7074

333 PROSPECT STREET
ELYRIA, OHIO 44024 USA
PHONE: 330.931.9336
www.diamondproducts.com

BLADE SIZE	BLADE RPM	LOWER SHEAVES	UPPER SHEAVES	ENGINE RPM	BELT SIZE	FLANGE SIZE	MAX CUT DEPTH
20"	2,475	3.65"	6.5"	2,800	5/8VX375	5"	7-11"
26"	2,075	4"	6"	2,800	5/8VX375	5"	10-11 1/4"
30"	1,725	4.5"	5.6"	2,800	5/8VX375	5"	12-11 1/4"
36"	1,475	4.75"	5"	2,800	5/8VX375	6"	14-3 1/4"
42"	1,175	4.75"	4"	2,800	5/8VX355	7"	17-1 1/4"
48"	1,050	4.75"	4"	2,500	5/8VX355	8"	19-3 1/4"

WARNING! NEVER EXCEED THE MAXIMUM RPM STAMPED ON BLADE!
EXCESSIVE SPEED CAN CAUSE BLADE BREAKAGE RESULTING IN SERIOUS PERSONAL INJURY OR DEATH!

Always check the blade's RPM before mounting blades.
Only use blades with a rated speed higher than the maximum speed.
Blade speed is affected by engine speed, blade weight, cutting or grinding angle.
The maximum blade speed is stamped on the blade.
Do not use a blade RPM that exceeds the maximum for each blade.
Always use safety with the blade guard in place or when cutting.
Blade speed is affected by engine speed, blade weight, cutting or grinding angle.
The maximum blade speed is stamped on the blade.
Do not use a blade RPM that exceeds the maximum for each blade.
Always use safety with the blade guard in place or when cutting.

EMERGENCY STOP
ENGINE THROTTLE
FLAMMABLE FUEL
WARNING!
REAR AXLE ADJUSTMENT
BLADE DEPTH SET
OVERRIDE BLADE DEPTH
FLUID LEVEL FULL COLD
BLADE RPM
ENGINE COOLANT TEMP.
ENGINE START
LOW BLADE WATER
BLADE DEPTH SET
AUTO WATER
FREE WHEEL
SPOT LIGHT
WATER PUMP

RAISE LOWER FORWARD STOP REVERSE
SPEED CONTROL LEVER MUST BE IN STOP POSITION TO START ENGINE

#1801376

ENGINE START
ENGINE COOLANT TEMP.
BLADE RPM

#1801377

EMERGENCY STOP
BLADE DEPTH SET

#1801388

BLADE GEARBOX TEMP.

#1801628

FLUID LEVEL FULL COLD

#1801629

INCH 11 12 13 14 15 16 17 18 19 20 21
CM 1 2 3 4 5 6 7 8 9 10
ENGINE START

#1801389

DIESEL LOW OR ULTRA LOW SULFUR FUEL ONLY

#1801390

WARNING! FLAMMABLE FUEL

#1801391

ENGINE THROTTLE

#1801392

BLADE LOWERING SPEED

#1801393

REAR AXLE ADJUSTMENT

#1801394

ENGAGE ONLY AT ENGINE IDLING SPEED

#1801395

Blade Speed Conversion Charts

WARNING: Do not exceed blade speed (RPM) shown for each blade size.
Excessive blade speed could result in blade breakage and serious personal injury!

Blade Size	Blade Shaft		Engine		Max. Depth of Cut
	No Load RPM	Sheave Size	No Load RPM	Sheave Size	
20"	2,475	3.65"	2,800	6.5"	7-1/4"
26"	2,075	4"	2,800	6"	10-1/4"
30"	1,725	4.5"	2,800	5.6"	12-1/4"
36"	1,475	4.75"	2,800	5"	14-3/4"
42"	1,175	4.75"	2,800	4"	17-1/4"
48"	1,050	4.75"	2,500	4"	19-3/4"

WARNING: When changing blade size, use chart shown below for selecting items that must be changed.

Model CC7074	20"	26"	30"	36"	42"	48"
Blade Guard Assembly	6010602	6010604	6010606	6010608	6010610	6010612
Upper Sheaves (Sheave Size)	6013154 (6.5")	6013046 (6")	6010113 (5.6")	6010573 (5")	6010658 (4")	6010658 (4")
Lower Sheaves (Sheave Size)	6017288 (3.65")	6010658 (4")	6010545 (4.5")	6017245 (4.75")	6017245 (4.75")	6017245 (4.75")
Drive Belts (Set of 4) (Belt Size)	2503769 (5/3VX375)	2503769 (5/3VX375)	2503769 (5/3VX375)	2503769 (5/3VX375)	2503850 (5/3VX355K)	2503850 (5/3VX355K)
Inner Flanges (2) (Flange Size)	6010255 (5")	6010255 (5")	6010255 (5")	6010038 (6")	6017230 (7")	6013017 (8")
Outer Flanges (2) (Flange Size)	6047907 (5")	6047907 (5")	6047907 (5")	6010039 (6")	6017231 (7")	6013018 (8")
Skid Plate Mounting Holes	Bottom Set	Bottom Set	Bottom Set	Middle Set	Middle Set	Top Set

EQUIPMENT AND PARTS WARRANTY

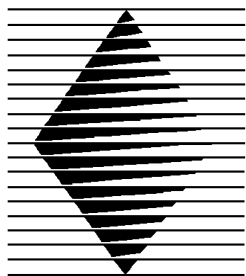
Diamond Products warrants all equipment manufactured by it against defects in workmanship or materials for a period of one (1) year from the date of shipment to Customer.

The responsibility of Diamond Products under this Warranty is limited to replacement or repair of defective parts at Diamond Products' Elyria, Ohio factory, or at a point designated by it, of such parts as shall appear to us upon inspection at such parts, to have been defective in material or workmanship, with expense for transportation and labor borne by Customer.

In no event shall Diamond Products be liable for consequential or incidental damages arising out of the failure of any Product to operate properly.

Integral units such as engines, electric motors, batteries, transmissions, etc., are excluded from this Warranty and are subject to the prime manufacturer's warranty.

THIS WARRANTY IS IN LIEU OF ALL OTHER WARRANTIES, EXPRESSED OR IMPLIED, AND ALL SUCH OTHER WARRANTIES ARE HEREBY DISCLAIMED.



**DIAMOND
PRODUCTS**

333 Prospect Street, Elyria, Ohio 44035
(440) 323-4616 • (800) 321-5336 • Fax (440) 323-8689
www.diamondproducts.com