



# CONCRETE SAW PARTS LIST

**MODEL  
CC7172**

(April 2013)

Part # 1800333

### CC7172 RPM CHART

| BLADE SIZE | BLADE RPM | BLADESHAFT SHEAVE | ENGINE SHEAVE | ENGINE RPM | BELT SIZE | FLANGE SIZE | MAX CUT DEPTH |
|------------|-----------|-------------------|---------------|------------|-----------|-------------|---------------|
| 14"        | 2,800     | 4"                | 4"            | 2,800      | 3VX500    | 4-1/2"      | 4-1/2"        |
| 20"        | 2,500     | 4.5"              | 4"            | 2,800      | 3VX500    | 4-1/2"      | 7-1/2"        |
| 26"        | 2,100     | 4.5"              | 4"            | 2,350      | 3VX500    | 4-1/2"      | 10-1/2"       |
| 30"        | 1,800     | 6"                | 4"            | 2,700      | 3VX530    | 6"          | 11-3/4"       |
| 36"        | 1,500     | 6"                | 4"            | 2,250      | 3VX530    | 6"          | 14-3/4"       |
| 42"        | 1,200     | 6.5"              | 4"            | 1,950      | 3VX530    | 7"          | 17-1/4"       |



## ⚠ WARNING

- Always check the bladeshaft RPM before mounting blade.
- Only use blades with a rated speed higher than the bladeshaft speed.
- Never exceed the maximum RPM stamped on blade. Overspeeding the blade can cause blade breakage and serious personal injury.
- When changing blade size, always adjust bladeshaft RPM according to the speed chart to match recommended blade RPM.
- Do not use a blade flange size smaller than indicated for each blade.
- Never operate saw without the blade guard in place or allow rotating blade exposure to exceed 180 degrees.
- Never stand in line with the blade path when starting or operating saw.
- Never use damaged blades or equipment.
- Refer to operator's manual for additional information about safety, operation and maintenance.

## ⚠ ADVERTENCIA

- Asegúrese de verificar la velocidad en RPM del eje de la hoja de sierra antes de montar la hoja.
- Use solamente hojas de sierras cuyas velocidades de operación fueron establecidas para velocidades superiores a las velocidades del eje de hoja.
- Nunca exceda la velocidad de operación máxima en RPM estampada en la hoja de sierra. Operar la hoja a una velocidad superior a la establecida puede causar la rotura de la hoja y serias lesiones corporales.
- Cuando cambie el tamaño de la hoja de sierra, asegúrese de ajustar la velocidad en RPM del eje de hoja de acuerdo con la velocidad mencionada en la tabla para que concuerde con la velocidad en RPM establecida para la hoja de sierra.
- No utilice un tamaño más pequeño de pestañas de hoja de sierra que el indicado en cada hoja de sierra.
- Nunca opere la sierra sin haber colocado los protectores en sus lugares correspondientes ni permita que la parte expuesta de la hoja de sierra en rotación exceda los 180 grados.
- No se coloque en la misma dirección que va la hoja de la sierra al arrancar la sierra o cuando esté operando la sierra.
- Nunca use equipos ni hojas de sierras que están dañados.
- Para obtener más información sobre la seguridad de operación, funcionamiento y mantenimiento del equipo, lea el manual del operador.



# WARNING

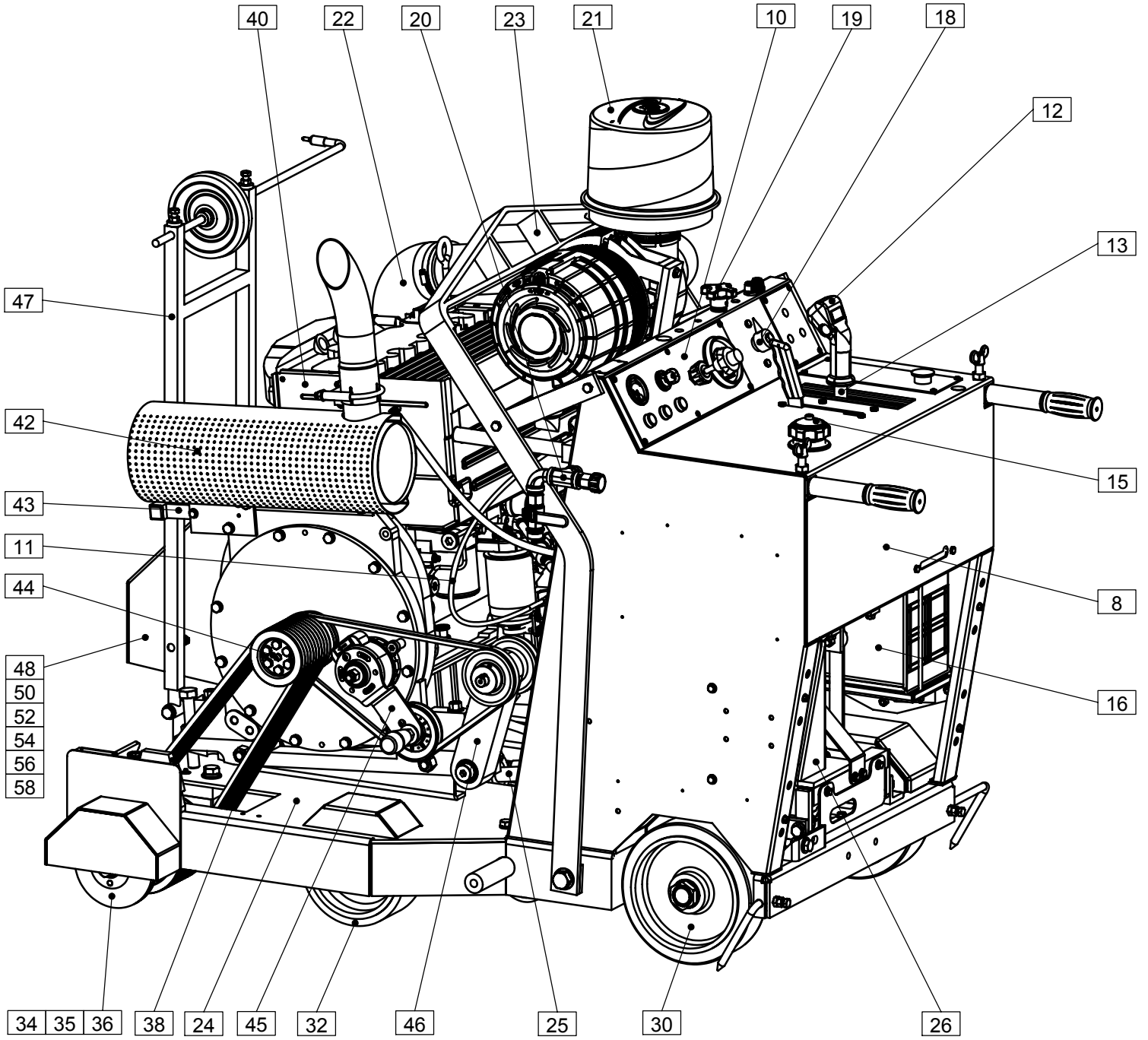


**The engine exhaust from this product contains chemicals known to the State of California to cause cancer, birth defects or other reproductive harm.**

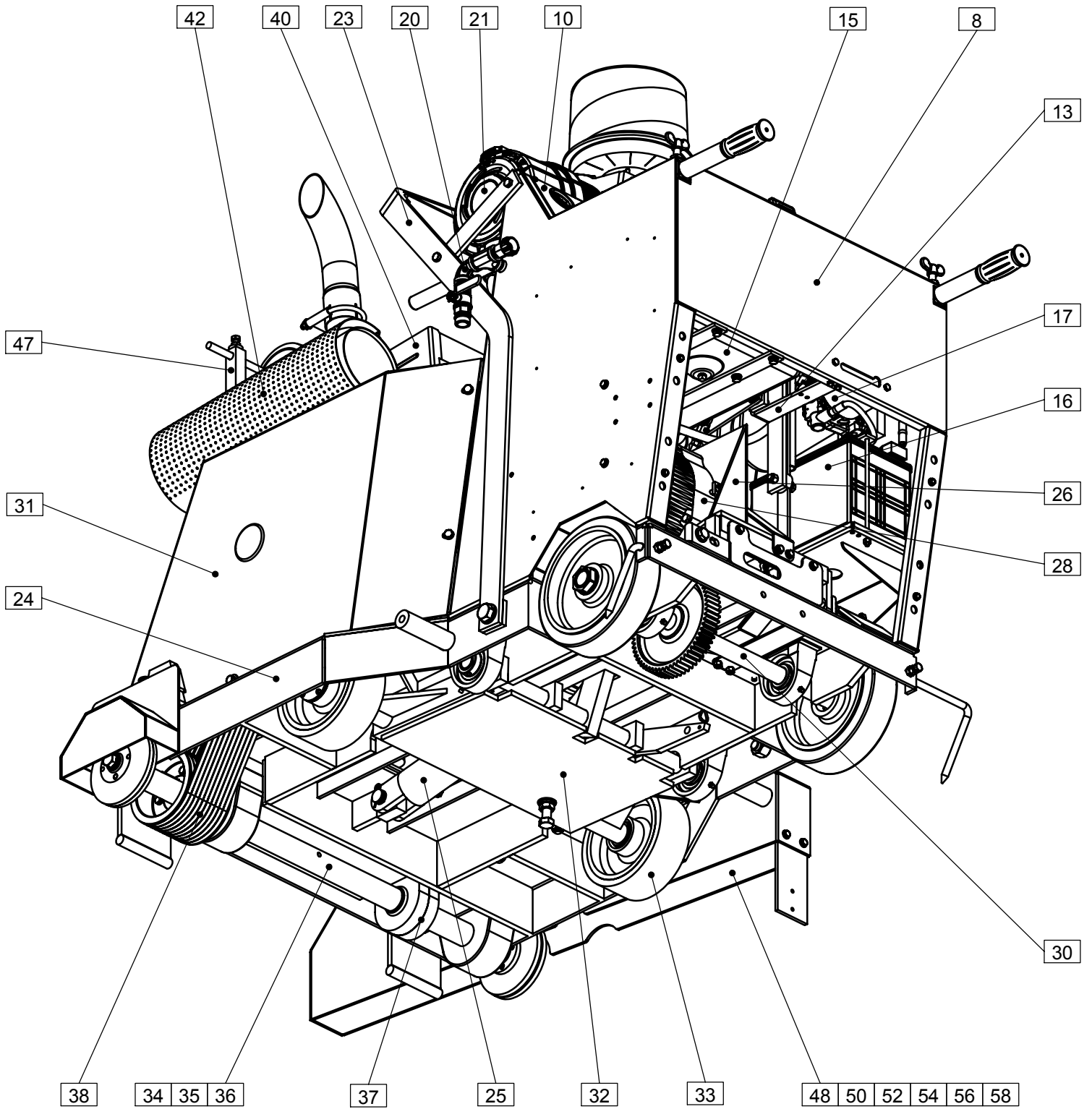
## Table of Contents

|   |       |   |       |
|---|-------|---|-------|
| Pictorial Index.....                          | 4,5   | Belt Drive Assembly.....                    | 38,39 |
| Controls Legend.....                          | 6     | Engine Assembly.....                        | 40,41 |
| Quick Reference Service Filters / Belts.....  | 7     | Muffler Assembly.....                       | 42    |
| Frame Upright Assembly.....                   | 8,9   | Pointer Stop Assembly.....                  | 43    |
| Instrument Panel Assembly.....                | 10    | 4" PTO Assembly.....                        | 44    |
| Throttle Cable Assembly.....                  | 11    | Rotary Tensioner Assembly.....              | 45    |
| Control Grip Assembly.....                    | 12    | Transmission Jackshaft Assembly.....        | 46    |
| Control Lever Assembly (Eaton).....           | 13    | Front Pointer Assembly.....                 | 47    |
| Fuel Supply Assembly.....                     | 14    | 14" Blade Guard Assembly.....               | 48,49 |
| Fuel Tank Assembly.....                       | 15    | 20" Blade Guard Assembly.....               | 50,51 |
| Battery Assembly.....                         | 16    | 26" Blade Guard Assembly.....               | 52,53 |
| Hydraulic Pump Assembly.....                  | 17    | 30" Blade Guard Assembly.....               | 54,55 |
| Depth Indicator Assembly.....                 | 18    | 36" Blade Guard Assembly.....               | 56,57 |
| Depth Stop Assembly.....                      | 19    | 42" Blade Guard Assembly.....               | 58,59 |
| Water Supply Assembly.....                    | 20    | Optional Water Pump Assembly.....           | 60    |
| Air Cleaner Assembly.....                     | 21    | Optional Water Safety Switch Assembly.....  | 61    |
| Air Intake Assembly.....                      | 22    | Optional Spot Light Assembly.....           | 62    |
| Frame Lift Assembly.....                      | 23    | Optional Magnetic Spot Light Assembly.....  | 63    |
| Frame Base Assembly.....                      | 24    | Optional Glow Plug Assembly.....            | 64    |
| Hydraulic Cylinder Assembly.....              | 25    | Optional Speed Metering Valve Assembly..... | 65    |
| Rear Drive Assembly (Eaton).....              | 26,27 | Optional Parking Brake Assembly.....        | 66,67 |
| Eaton Transmission Assembly.....              | 28    | Optional Blade Stacking Assembly.....       | 68,69 |
| Linkage Assembly.....                         | 29    | Optional Blade Spacing Assembly.....        | 70,71 |
| Rear Axle Assembly (Eaton / Gear).....        | 30    | Optional Blade Spacing Assembly.....        | 72,73 |
| Belt Guard Assembly.....                      | 31    | Wiring Diagram.....                         | 74,75 |
| Front Axle Assembly.....                      | 32    | Options Wiring Diagram.....                 | 76    |
| Front Wheel Assembly.....                     | 33    | Decal Group.....                            | 77    |
| Blade Shaft Assembly (Blades 14" – 26")... 34 |       | Notes.....                                  | 78    |
| Blade Shaft Assembly (Blades 30" – 36")... 35 |       | Blade Speed Conversion Charts.....          | 79    |
| Blade Shaft Assembly (Blades 42")..... 36     |       | Warranty.....                               | 80    |
| Shaft Tach Gear Assembly..... 37              |       |   |       |

# Pictorial Page Index

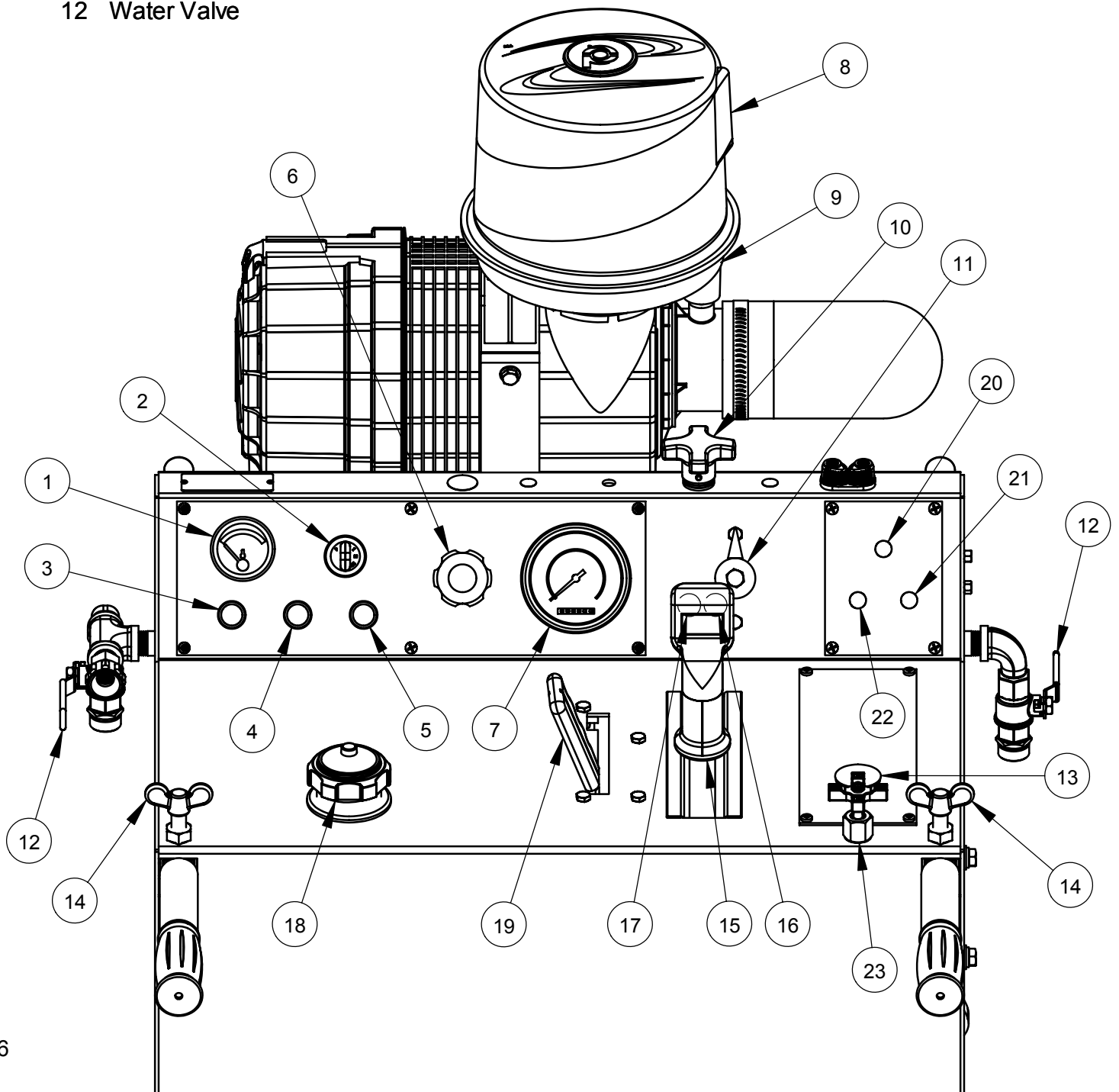


# Pictorial Page Index



## Controls Legend

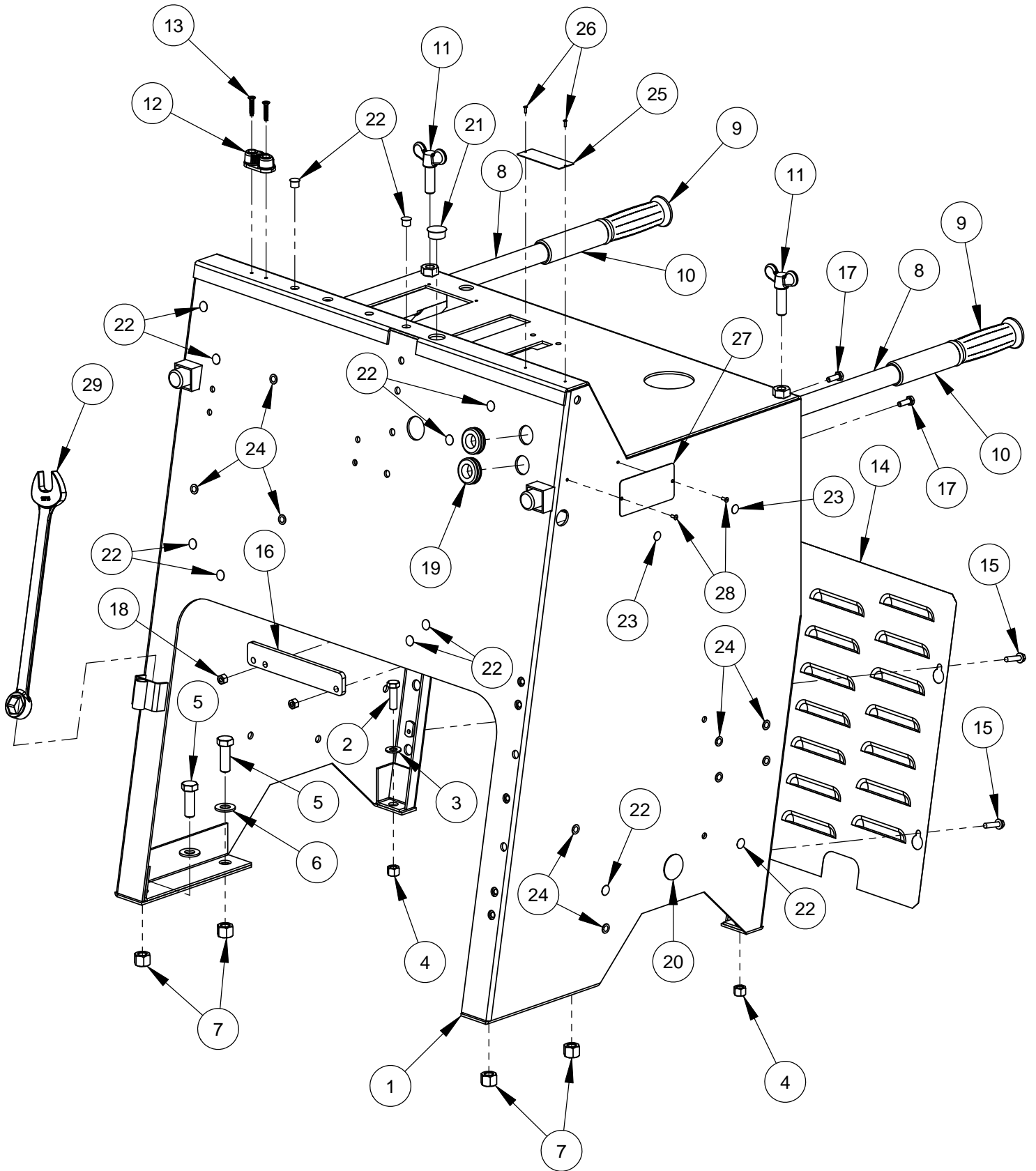
- |    |                                   |    |  |
|----|-----------------------------------|----|--|
| 1  | Engine Temperature Gauge          | 13 | Emergency Stop Button                    |
| 2  | Ignition Switch                   | 14 | Handle Lock Knobs                        |
| 3  | Alternator Light                  | 15 | Speed Control Lever                      |
| 4  | Oil Temperature Light             | 16 | Lower Pushbutton                         |
| 5  | Oil Pressure Light                | 17 | Raise Pushbutton                         |
| 6  | Vernier Throttle Control          | 18 | Fuel Tank Cap                            |
| 7  | Blade Tachometer / Hour Meter     | 19 | Transmission Engagement Lever            |
| 8  | Pre-Cleaner                       | 20 | Water Safety Switch (Optional)           |
| 9  | Air Cleaner Restriction Indicator | 21 | Spotlight Switch (Optional)              |
| 10 | Depth Stop Knob                   | 22 | Water Pump Switch (Optional)             |
| 11 | Cutting Depth Indicator           | 23 | Lowering Speed Metering Valve (Optional) |
| 12 | Water Valve                       |    |  |



## Quick Reference Service Filters / Belts

| <b>DP Part No.</b> | <b>Description</b>           | <b>Manufacturer's Part No.</b> |
|--------------------|------------------------------|--------------------------------|
| 2701775            | Engine Oil Filter            | (Deutz #1174416)               |
| 2701339            | Engine Fuel Filter           | (Deutz #1174482)               |
| 2501785            | In-Line Fuel Tank Filter     | (Wix #33007)                   |
| 2501352            | Outer Primary Air Filter     | (Donaldson #P828889)           |
| 2501353            | Inner Safety Air Filter      | (Donaldson #P829333)           |
| 2503959            | Blade Shaft Belt (Set of 10) | (Gates #3VX500K)               |
| 2503960            | Blade Shaft Belt (Set of 10) | (Gates #3VX530K)               |
| 2501780            | Eaton Transmission Belt      | (Gates #AX40)                  |
| 2501781            | Engine to Jackshaft Belt     | (Gates #AX42)                  |

# Frame Upright Assembly #6010715A

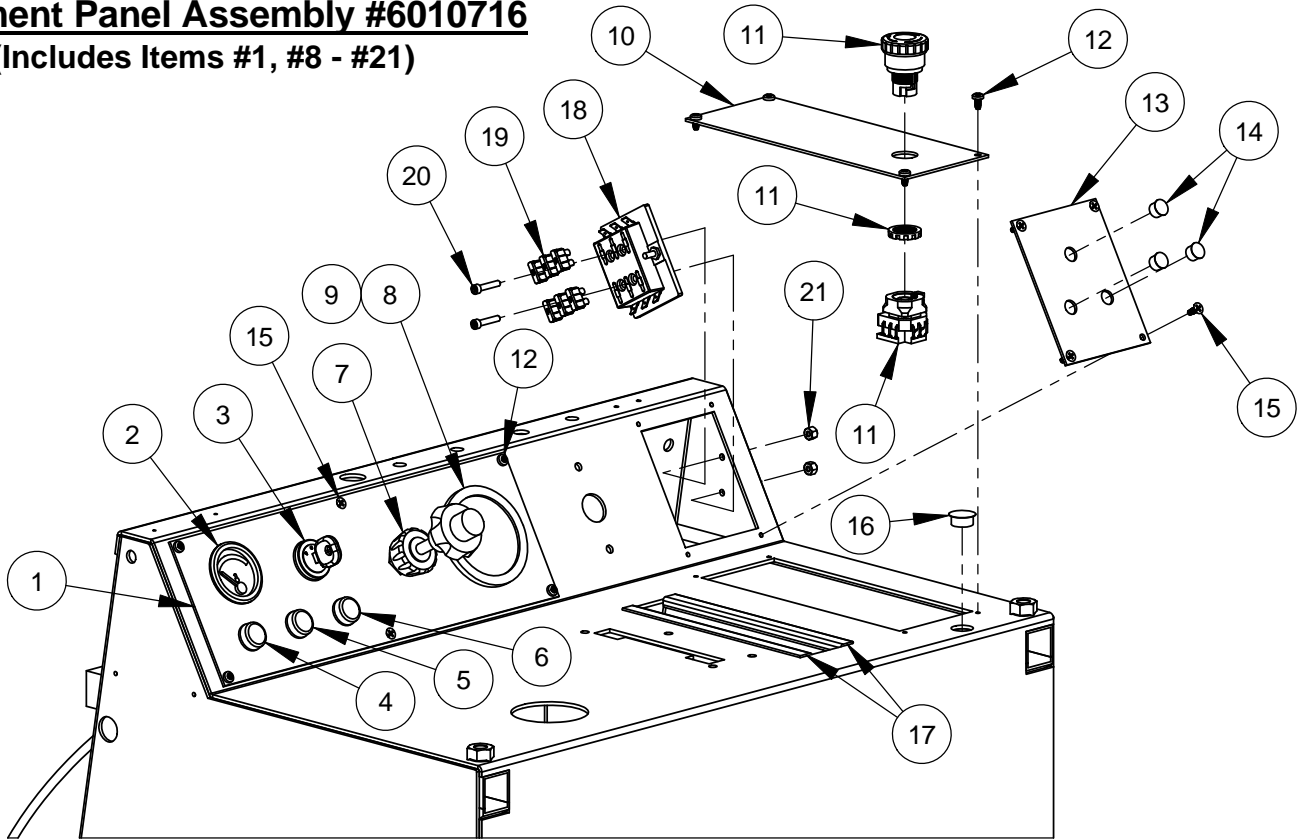




## Frame Upright Assembly #6010715A

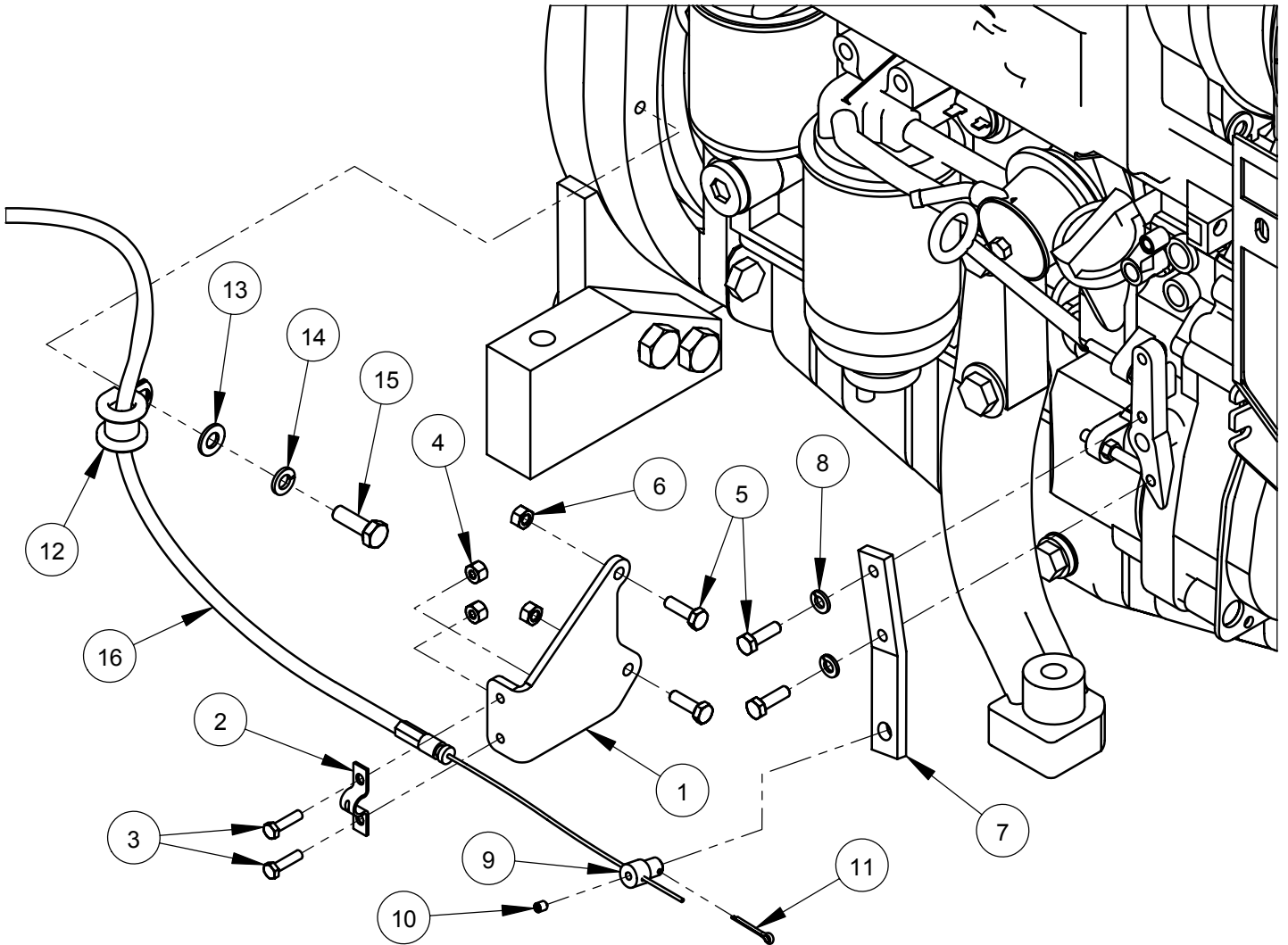
| ITEM | PART NO. | QTY. | DESCRIPTION                            |
|------|----------|------|--|
| 1    | 6010687  | 1    | Frame Upright Weldment                 |
| 2    | 2900013  | 2    | Cap Screw, Hex Hd., 3/8-16 x 1-1/4"    |
| 3    | 2900014  | 2    | Flat Washer, 3/8" SAE                  |
| 4    | 2900018  | 2    | Lock Nut, 3/8-16 Nylon                 |
| 5    | 2900499  | 4    | Cap Screw, Hex Hd., 1/2-13 x 1-1/2"    |
| 6    | 2900058  | 4    | Flat Washer, 1/2" SAE                  |
| 7    | 2900026  | 4    | Lock Nut, 1/2-13 Nylon                 |
| 8    | 6010014  | 2    | Handle Bar, 36" Long                   |
| 9    | 2500636  | 2    | Handle Grip                            |
| 10   | 2501955  | 2    | Handle Stop Grip                       |
| 11   | 2900430  | 2    | Hand Lock Knob, 1/2-13 x 1-1/2"        |
| 12   | 2501427  | 1    | Rope Cleat                             |
| 13   | 2900483  | 2    | Tap Screw, Flat Hd., #10-24 x 1"       |
| 14   | 6010015  | 1    | Rear Cover Screen                      |
| 15   | 2900180  | 4    | Cap Screw, Hex Flange Hd., 1/4-20 x 1" |
| 16   | 6010166  | 1    | Gate Cover Bar                         |
| 17   | 2900144  | 2    | Cap Screw, Hex Hd., 1/4-20 x 3/4"      |
| 18   | 2900010  | 2    | Lock Nut, 1/4-20 Nylon                 |
| 19   | 2500203  | 2    | Grommet, 3/4" I.D.                     |
| 20   | 2501146  | 1    | Plug, 1-1/4" Hole                      |
| 21   | 2500549  | 1    | Plug, 7/8" Hole                        |
| 22   | 2501287  | 12   | Plug, 7/16" Hole                       |
| 23   | 2500462  | 2    | Plug, 3/8" Hole                        |
| 24   | 2503749  | 9    | Plug, 5/16" Hole (Tapered)             |
| 25   | 1800169  | 1    | Serial Number Plate, US                |
| 26   | 2900096  | 2    | Rivet, 3/32" Dia.                      |
| 27   | 1800377  | 1    | Serial Number Plate, CE                |
| 28   | 2900287  | 2    | Rivet, 1/8" Dia.                       |
| 29   | 2503704  | 1    | Wrench, 15/16" Combination             |

**Instrument Panel Assembly #6010716**  
 (Includes Items #1, #8 - #21)



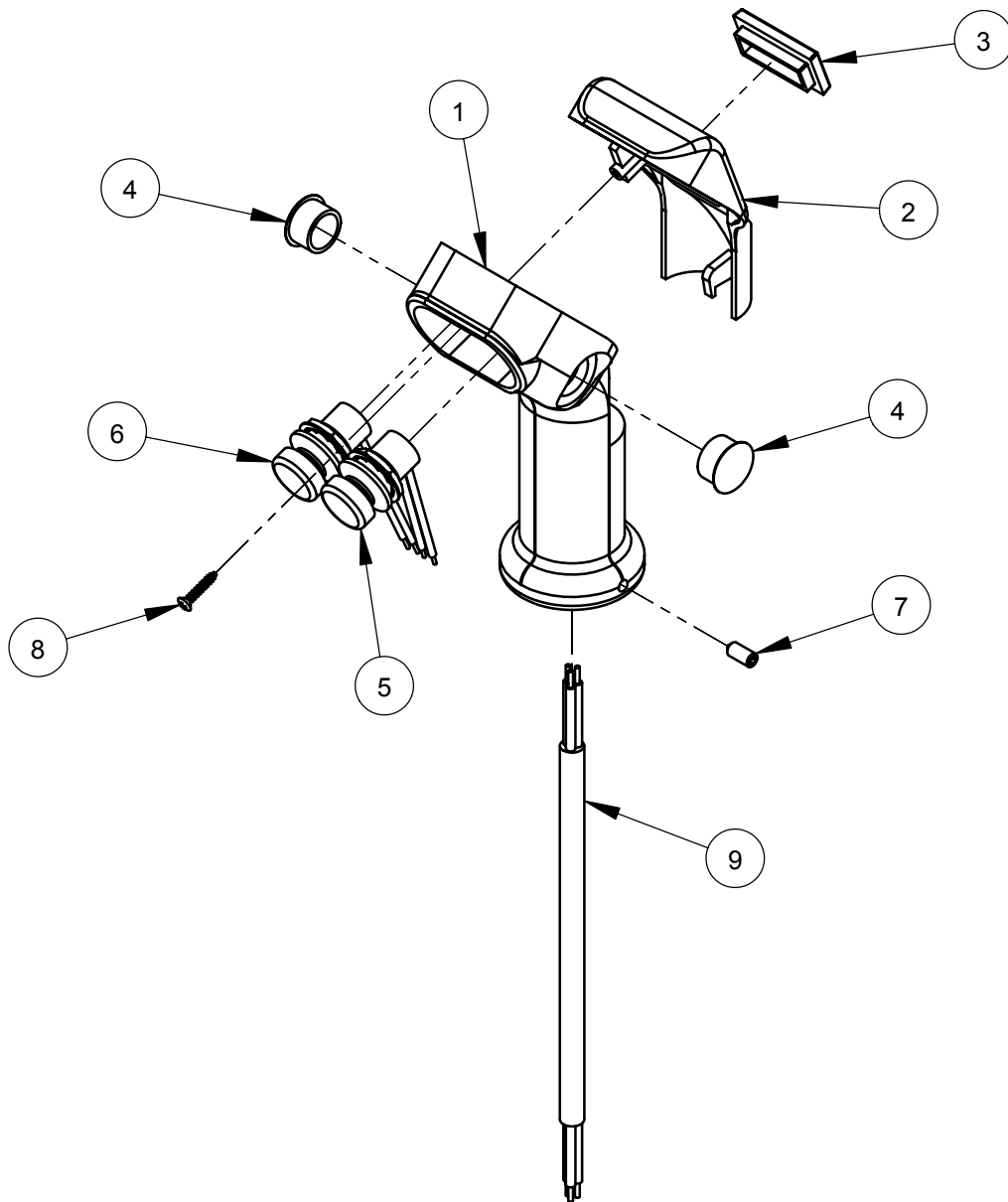
| ITEM | PART NO. | QTY. | DESCRIPTION                        |
|------|----------|------|------------------------------------|
| 1    | 6013093  | 1    | Gauge Panel                        |
| 2    | 2703192  | 1    | Temperature Gauge, Pricol          |
| 3    | 2703194  | 1    | Ignition Switch & Key              |
|      | 2703195  | 1    | Ignition Key Only, Double Cut      |
| 4    | 2700785  | 1    | Alternator Light                   |
| 5    | 2700787  | 1    | Oil Temperature Light              |
| 6    | 2700786  | 1    | Oil Pressure Light                 |
| 7    | 2500376  | 1    | Vernier Throttle Cable             |
| 8    | 6010416  | 1    | Tach/Hour Meter (VDO) Calibrated   |
|      | 2800611  | 2    | Light Socket                       |
|      | 2800612  | 2    | Light Bulb, Wedge Base             |
| 9    | 2400628  | 1    | O-Ring #152                        |
| 10   | 6010019  | 1    | Hydraulic Pump Cover Plate         |
| 11   | 2801367  | 1    | E-Stop Switch                      |
| 12   | 2900021  | 8    | Tap Screw, Pan Hd., #10-24 x 3/8"  |
| 13   | 6010098  | 1    | Switch Plate                       |
| 14   | 2500204  | 3    | Plug, 1/2" Hole                    |
| 15   | 2900445  | 6    | Tap Screw, Flat Hd., #10-24 x 1/2" |
| 16   | 2500463  | 1    | Plug, 3/4" Hole                    |
| 17   | 6010101  | 2    | Edge Trim 8-1/2"                   |
| 18   | 2800388  | 1    | Fuse Panel, 6 Circuit              |
| 19   | 2800389  | 6    | Fuse, 10 Amp Red ATO/ATC           |
| 20   | 2900913  | 2    | Cap Screw, Soc. Hd., #10-24 x 1"   |
| 21   | 2900017  | 2    | Lock Nut, #10-24 Nylon             |

## Throttle Cable Assembly #6010729



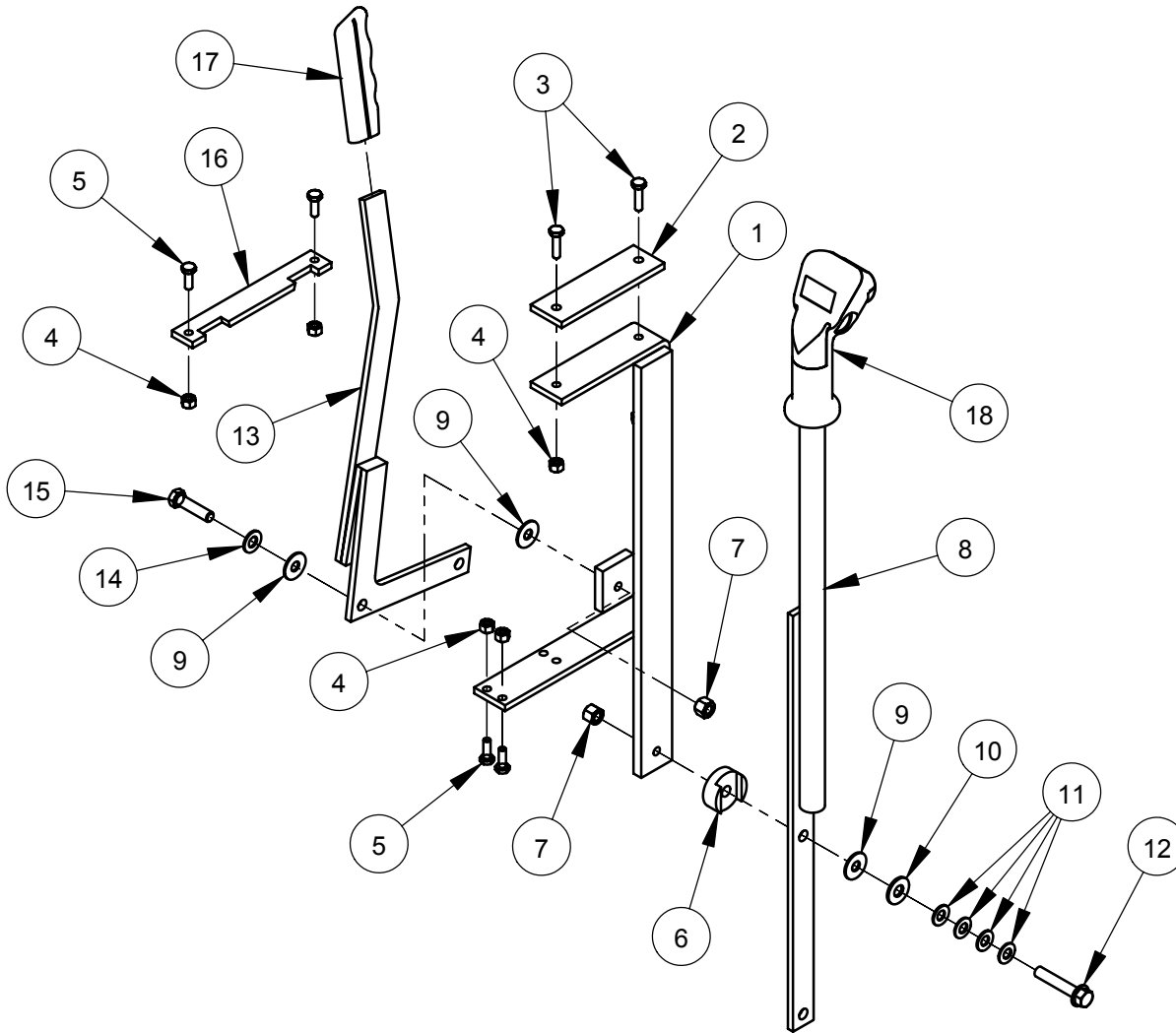
| ITEM | PART NO. | QTY. | DESCRIPTION                           |
|------|----------|------|---------------------------------------|
| 1    | 6010523  | 1    | Throttle Bracket                      |
| 2    | 2500940  | 1    | Throttle Cable Clamp                  |
| 3    | 2900015  | 2    | Machine Screw, Hex Hd., #10-24 x 3/4" |
| 4    | 2900017  | 2    | Lock Nut, #10-24 Nylon                |
| 5    | 2900310  | 4    | Cap Screw, Hex Hd., M6 x 20mm         |
| 6    | 2900302  | 2    | Lock Nut, M6 Nylon                    |
| 7    | 6013029  | 1    | Throttle Arm                          |
| 8    | 2900024  | 2    | Lock Washer, 1/4" Split               |
| 9    | 6048212  | 1    | Pivot Pin                             |
| 10   | 2900059  | 1    | Set Screw, Soc. Hd., #10-32 x 1/4"    |
| 11   | 2900034  | 1    | Cotter Pin, 3/32" x 3/4"              |
| 12   | 2501434  | 1    | Hose Clamp, 1/2" x 3/4" Wide          |
| 13   | 2900022  | 1    | Flat Washer, 5/16" SAE                |
| 14   | 2900031  | 1    | Lock Washer, 5/16" Split              |
| 15   | 2900360  | 1    | Cap Screw, Hex Hd., M8 x 25mm         |
| 16   | 2500376  | 1    | Vernier Throttle Cable                |

## Control Grip Assembly #6010319



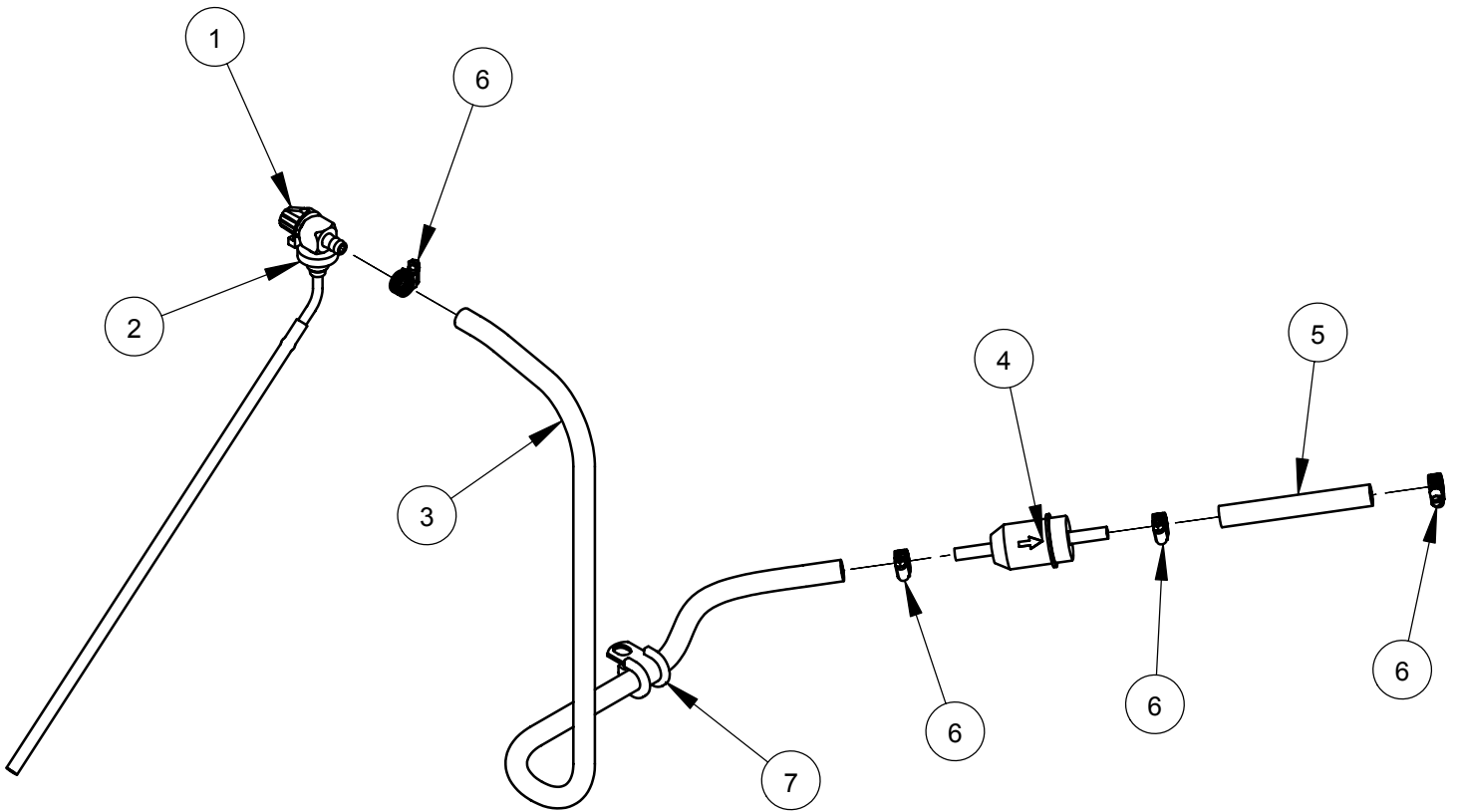
| ITEM | PART NO. | QTY. | DESCRIPTION                        |
|------|----------|------|------------------------------------|
| 1    | 2501280  | 1    | Control Grip Body                  |
| 2    | 2501281  | 1    | Control Grip Cover                 |
| 3    | 2500644  | 1    | Plug, Rectangular                  |
| 4    | 2500694  | 2    | Plug, 5/8" Hole                    |
| 5    | 2800372  | 1    | Pushbutton Switch, Raise           |
| 6    | 2800373  | 1    | Pushbutton Switch, Lower           |
| 7    | 2900453  | 1    | Set Screw, Soc. Hd., M5 x 12mm     |
| 8    | 2900452  | 1    | Machine Screw, Oval Hd., #4 x 5/8" |
| 9    | 2800393  | 1    | Harness, Hydraulic Pump            |

## Control Lever Assembly #6010719 (Eaton)



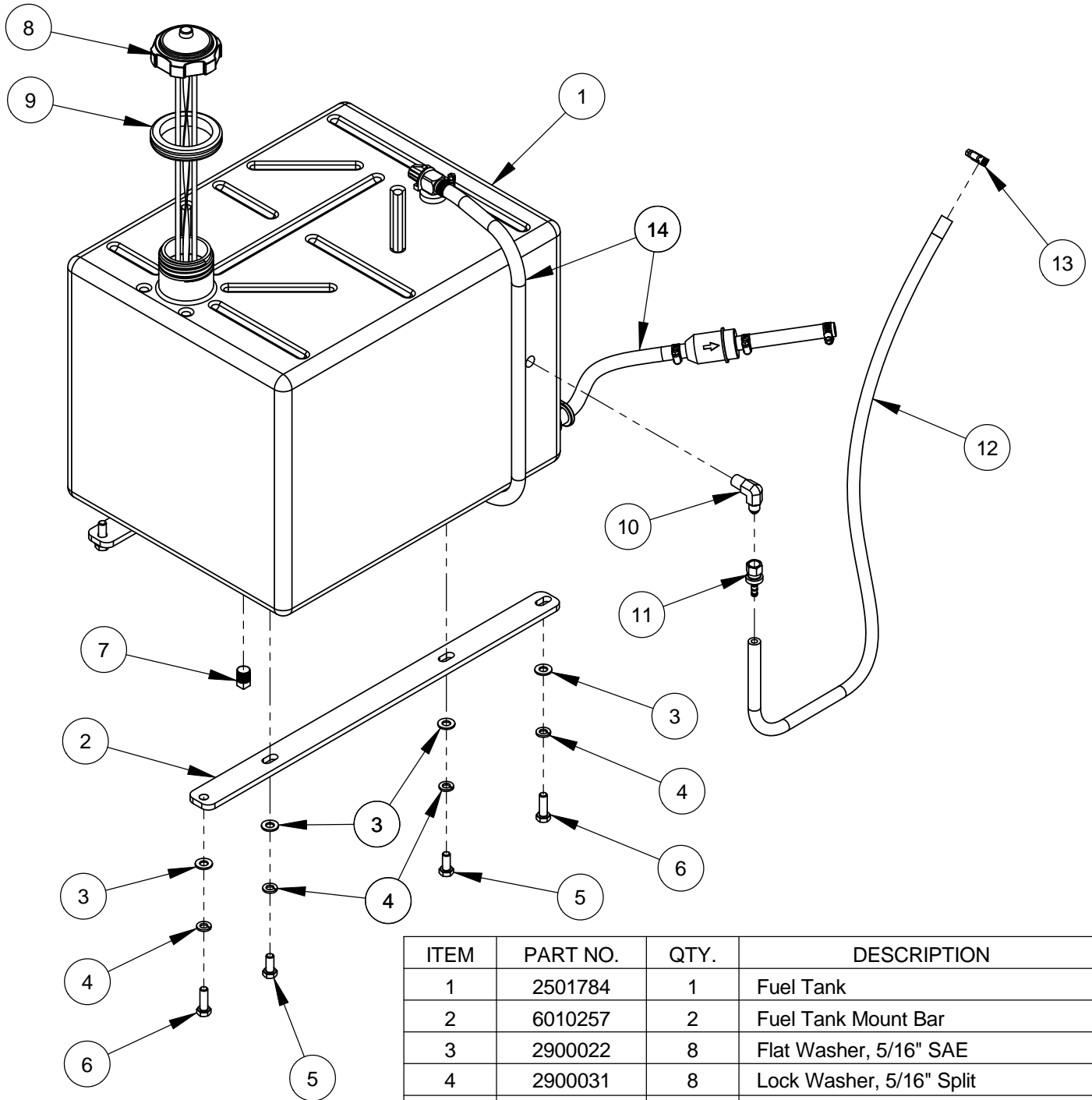
| ITEM | PART NO. | QTY. | DESCRIPTION                            |
|------|----------|------|--|
| 1    | 6010056  | 1    | Lever Support Weldment                 |
| 2    | 2501339  | 1    | Rubber Support Mount                   |
| 3    | 2900008  | 2    | Cap Screw, Hex Hd., 1/4-20 x 1"        |
| 4    | 2900010  | 6    | Lock Nut, 1/4-20 Nylon                 |
| 5    | 2900144  | 4    | Cap Screw, Hex Hd., 1/4-20 x 3/4"      |
| 6    | 6010055  | 1    | Friction Spacer                        |
| 7    | 2900018  | 2    | Lock Nut, 3/8-16 Nylon                 |
| 8    | 6010314  | 1    | Speed Control Lever                    |
| 9    | 2900153  | 3    | Friction Washer, 3/8"                  |
| 10   | 2900473  | 1    | Flat Washer, 3/8" USS                  |
| 11   | 2900474  | 4    | Belleville Washer, 3/8"                |
| 12   | 2900472  | 1    | Cap Screw, Hex Flange Hd., 3/8-16 x 2" |
| 13   | 6010057  | 1    | Engagement Lever Weldment              |
| 14   | 2900014  | 1    | Flat Washer, 3/8" SAE                  |
| 15   | 2900029  | 1    | Cap Screw, Hex Hd., 3/8-16 x 1-1/2"    |
| 16   | 6010058  | 1    | Gate Plate                             |
| 17   | 2500002  | 1    | Lever Grip                             |
| 18   | 6010319  | 1    | Control Grip Assembly                  |

## Fuel Supply Assembly #6010699



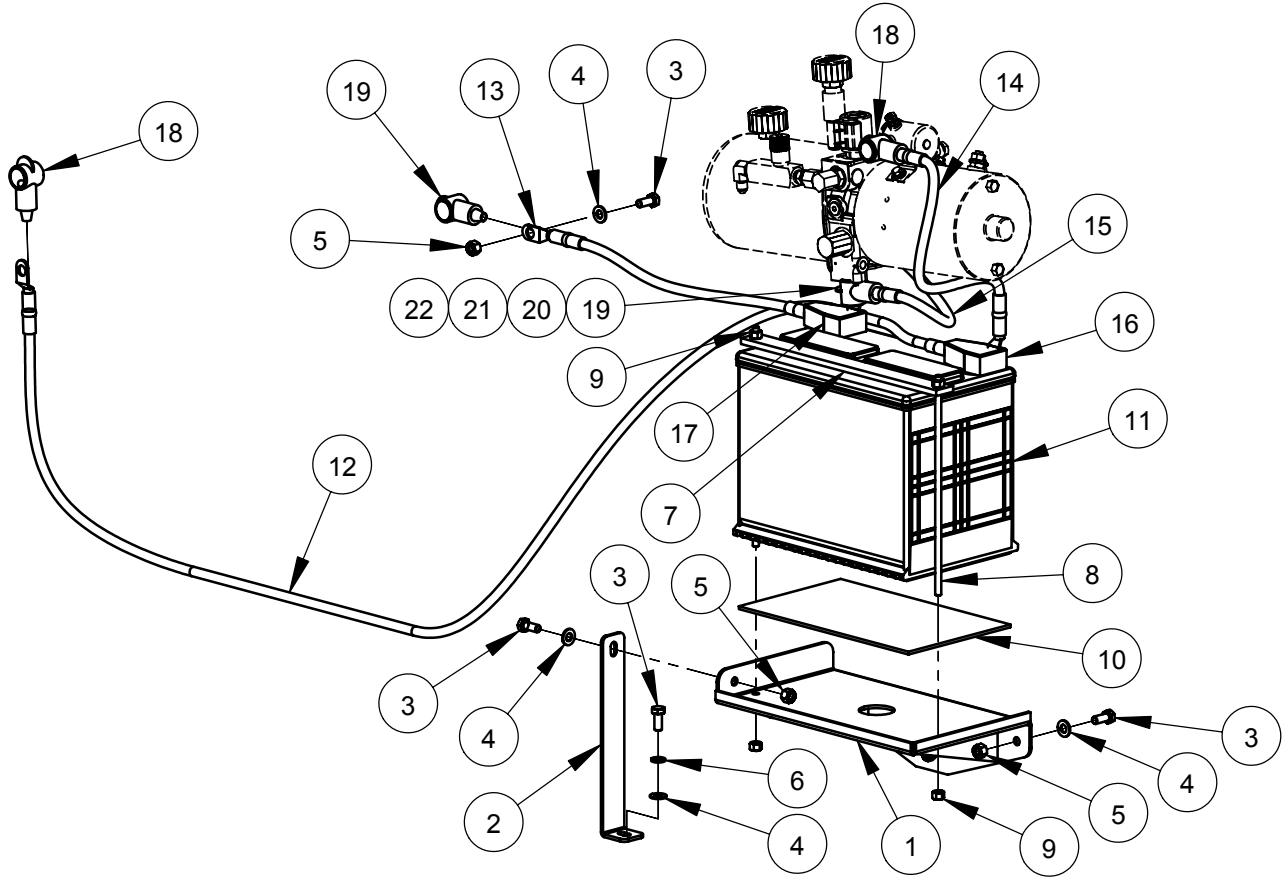
| ITEM | PART NO. | QTY. | DESCRIPTION                        |
|------|----------|------|------------------------------------|
| 1    | 2501777  | 1    | Fuel Valve w/Pick-Up               |
| 2    | 2501215  | 1    | Bushing, Rubber, Tank              |
| 3    | 6010693  | 1    | Fuel Supply Hose, 5/16" I.D. x 30" |
| 4    | 2501785  | 1    | Filter, Diesel Fuel                |
| 5    | 6013095  | 1    | Fuel Line Hose, 5/16" I.D. x 4"    |
| 6    | 3200062  | 4    | Hose Clamp #4                      |
| 7    | 2501434  | 1    | Hose Clamp, 1/2" x 3/4" Wide       |

## Fuel Tank Assembly #6010700



| ITEM | PART NO. | QTY. | DESCRIPTION                            |
|------|----------|------|--|
| 1    | 2501784  | 1    | Fuel Tank                              |
| 2    | 6010257  | 2    | Fuel Tank Mount Bar                    |
| 3    | 2900022  | 8    | Flat Washer, 5/16" SAE                 |
| 4    | 2900031  | 8    | Lock Washer, 5/16" Split               |
| 5    | 2900019  | 4    | Cap Screw, Hex Hd., 5/16-18 x 3/4"     |
| 6    | 2900138  | 4    | Cap Screw, Hex Hd., 5/16-18 x 1"       |
| 7    | 3200206  | 1    | Pipe Plug, 1/4" NPT                    |
| 8    | 2504786  | 1    | Fuel Tank Cap & Gauge                  |
| 9    | 2500205  | 1    | Fuel Tank Grommet                      |
| 10   | 3200057  | 1    | Elbow, 1/4" M. Pipe to 1/4" M. JIC     |
| 11   | 3200091  | 1    | Fitting, 1/4" F. JIC to 1/4" Push Lock |
| 12   | 6010103  | 1    | Fuel Return Hose, 1/4" I.D. x 32"      |
| 13   | 3200062  | 1    | Hose Clamp #4                          |
| 14   | 6010699  | 1    | Fuel Supply Assembly                   |

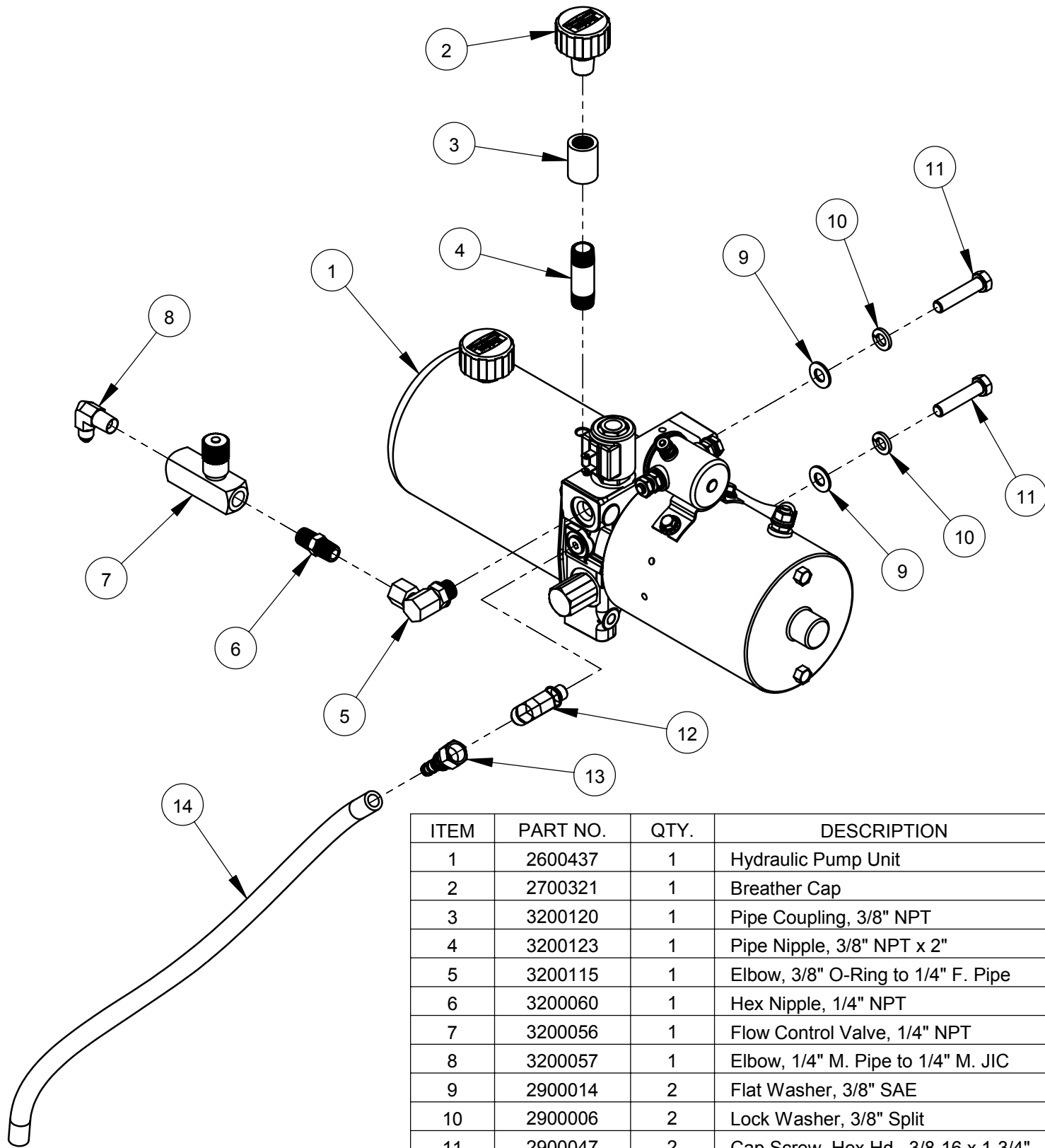
## Battery Assembly #6010721



| ITEM | PART NO. | QTY. | DESCRIPTION                         |
|------|----------|------|-------------------------------------|
| 1    | 6010670  | 1    | Battery Platform                    |
| 2    | 6010554  | 1    | Battery Support Brace               |
| 3    | 2900019  | 6    | Cap Screw, Hex Hd., 5/16-18 x 3/4"  |
| 4    | 2900022  | 6    | Flat Washer, 5/16" SAE              |
| 5    | 2900039  | 5    | Lock Nut, 5/16-18 Nylon             |
| 6    | 2900031  | 1    | Lock Washer, 5/16" Split            |
| 7    | 6010017  | 1    | Battery Top Brace                   |
| 8    | 6010344  | 2    | Rod, 1/4-20 x 9-1/2"                |
| 9    | 2900010  | 4    | Lock Nut, 1/4-20 Nylon              |
| 10   | 6010016  | 1    | Battery Pad                         |
| 11   | 2800465  | 1    | Battery, 12 Volt Group Size 24      |
| 12   | 2800073  | 1    | Battery Cable, Positive (Red)       |
| 13   | 2800072  | 1    | Battery Cable, Negative (Black)     |
| 14   | 2800095  | 1    | Battery Cable, 14" Positive (Red)   |
| 15   | 2800182  | 1    | Battery Cable, 14" Negative (Black) |
| 16   | 2800256  | 1    | Battery Boot, Large (Red)           |
| 17   | 2800257  | 1    | Battery Boot, Large (Black)         |
| 18   | 2800197  | 2    | Battery Boot, Small (Red)           |
| 19   | 2800198  | 2    | Battery Boot, Small (Black)         |
| 20   | 2900014  | 1    | Flat Washer, 3/8" SAE               |
| 21   | 2900006  | 1    | Lock Washer, 3/8" Split             |
| 22   | 2900196  | 1    | Cap Screw, Hex Hd., 3/8-16 x 3/4"   |

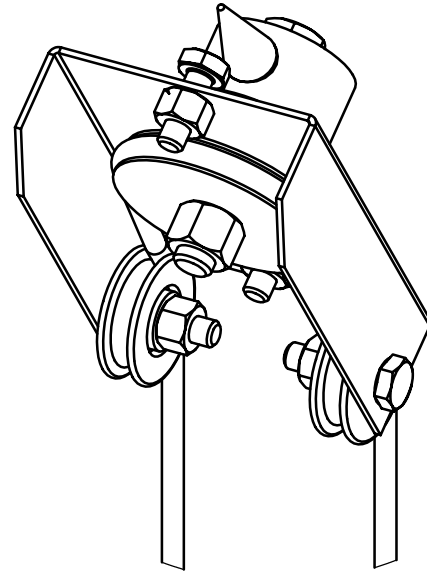
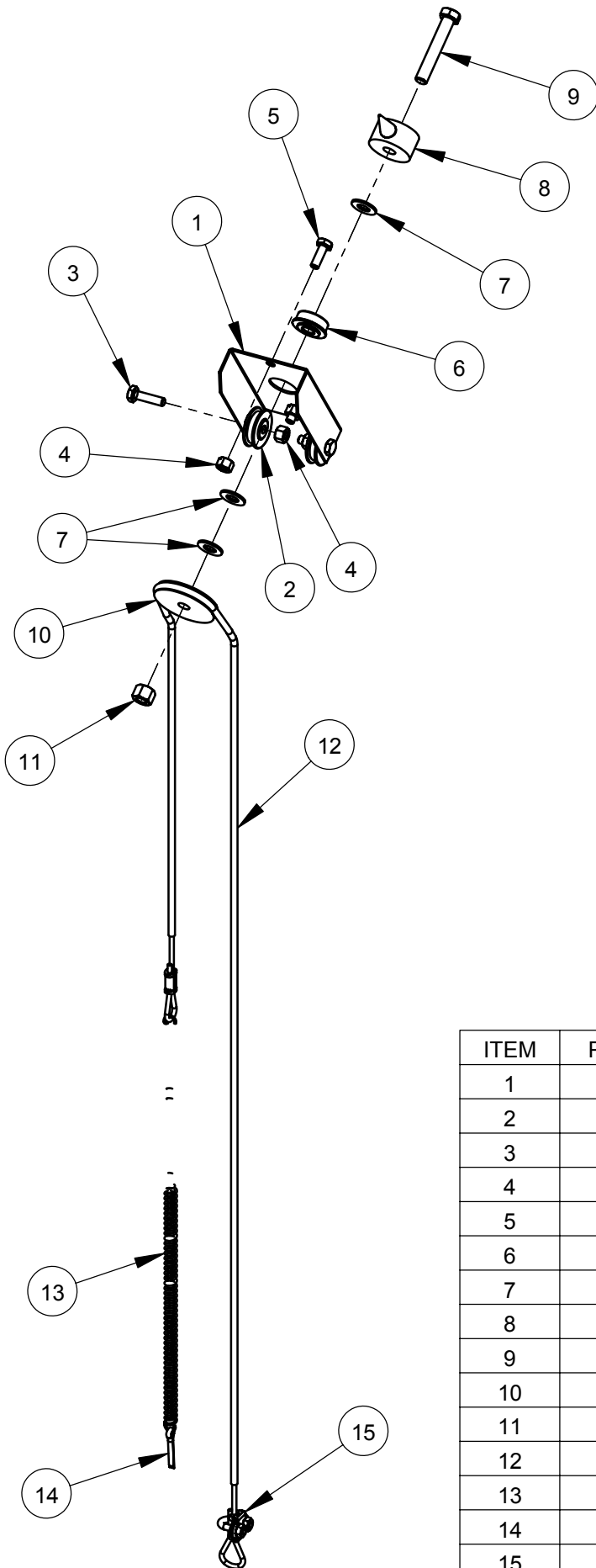


## Hydraulic Pump Assembly #6010383 (Includes Items #1 - #11)



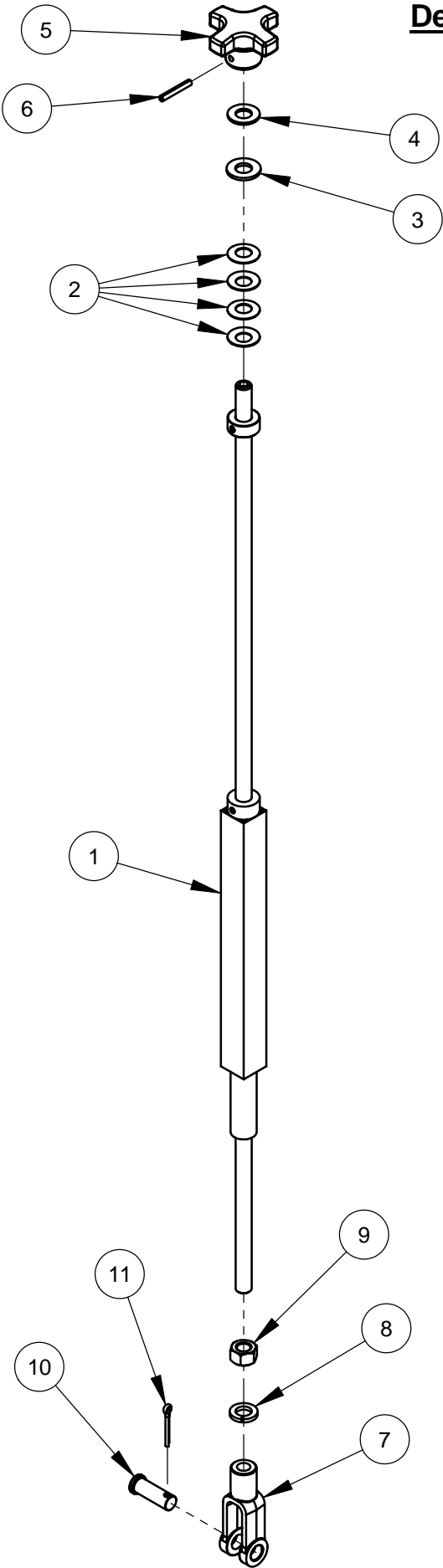
| ITEM | PART NO. | QTY. | DESCRIPTION                            |
|------|----------|------|--|
| 1    | 2600437  | 1    | Hydraulic Pump Unit                    |
| 2    | 2700321  | 1    | Breather Cap                           |
| 3    | 3200120  | 1    | Pipe Coupling, 3/8" NPT                |
| 4    | 3200123  | 1    | Pipe Nipple, 3/8" NPT x 2"             |
| 5    | 3200115  | 1    | Elbow, 3/8" O-Ring to 1/4" F. Pipe     |
| 6    | 3200060  | 1    | Hex Nipple, 1/4" NPT                   |
| 7    | 3200056  | 1    | Flow Control Valve, 1/4" NPT           |
| 8    | 3200057  | 1    | Elbow, 1/4" M. Pipe to 1/4" M. JIC     |
| 9    | 2900014  | 2    | Flat Washer, 3/8" SAE                  |
| 10   | 2900006  | 2    | Lock Washer, 3/8" Split                |
| 11   | 2900047  | 2    | Cap Screw, Hex Hd., 3/8-16 x 1-3/4"    |
| 12   | 3200116  | 1    | Elbow, 1/4" O-Ring to 3/8" M. JIC      |
| 13   | 3200046  | 1    | Fitting, 3/8" F. JIC to 3/8" Push Lock |
| 14   | 6010059  | 1    | Clear Hose, 3/8" I.D. x 19"            |

## Depth Indicator Assembly #6010214



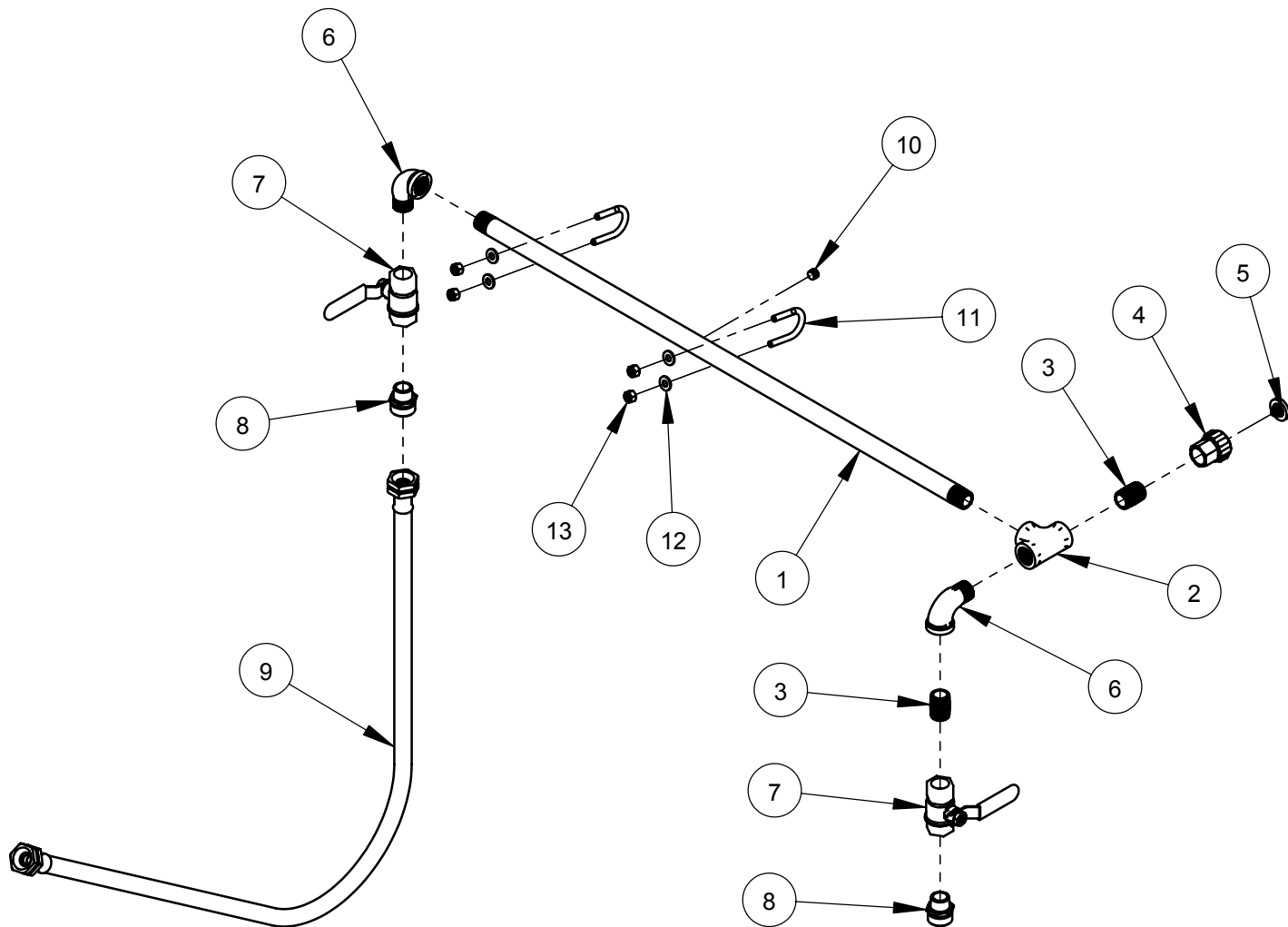
| ITEM | PART NO. | QTY. | DESCRIPTION                           |
|------|----------|------|---------------------------------------|
| 1    | 6010092  | 1    | Depth Indicator Mount Bracket         |
| 2    | 2500155  | 2    | Cable Pulley, 1-1/4"                  |
| 3    | 2900008  | 2    | Cap Screw, Hex Hd., 1/4-20 x 1"       |
| 4    | 2900010  | 4    | Lock Nut, 1/4-20 Nylon                |
| 5    | 2900144  | 2    | Cap Screw, Hex Hd., 1/4-20 x 3/4"     |
| 6    | 2500145  | 1    | Flange Bearing, 3/8"                  |
| 7    | 2900014  | 3    | Flat Washer, 3/8" SAE                 |
| 8    | 6010091  | 1    | Depth Indicator Pointer               |
| 9    | 2900079  | 1    | Cap Screw, Hex Hd., 3/8-16 x 2-1/4"   |
| 10   | 6010093  | 1    | Cable Pulley, 2"                      |
| 11   | 2900018  | 1    | Lock Nut, 3/8-16 Nylon                |
| 12   | 6010094  | 1    | Depth Indicator Cable with Crimp, 48" |
| 13   | 2500196  | 1    | Spring, 3/8" x 15"                    |
| 14   | 2900055  | 1    | Cotter Pin, 3/16" x 1"                |
| 15   | 2500214  | 1    | Cable Clamp                           |

**Depth Stop Assembly #6010215**



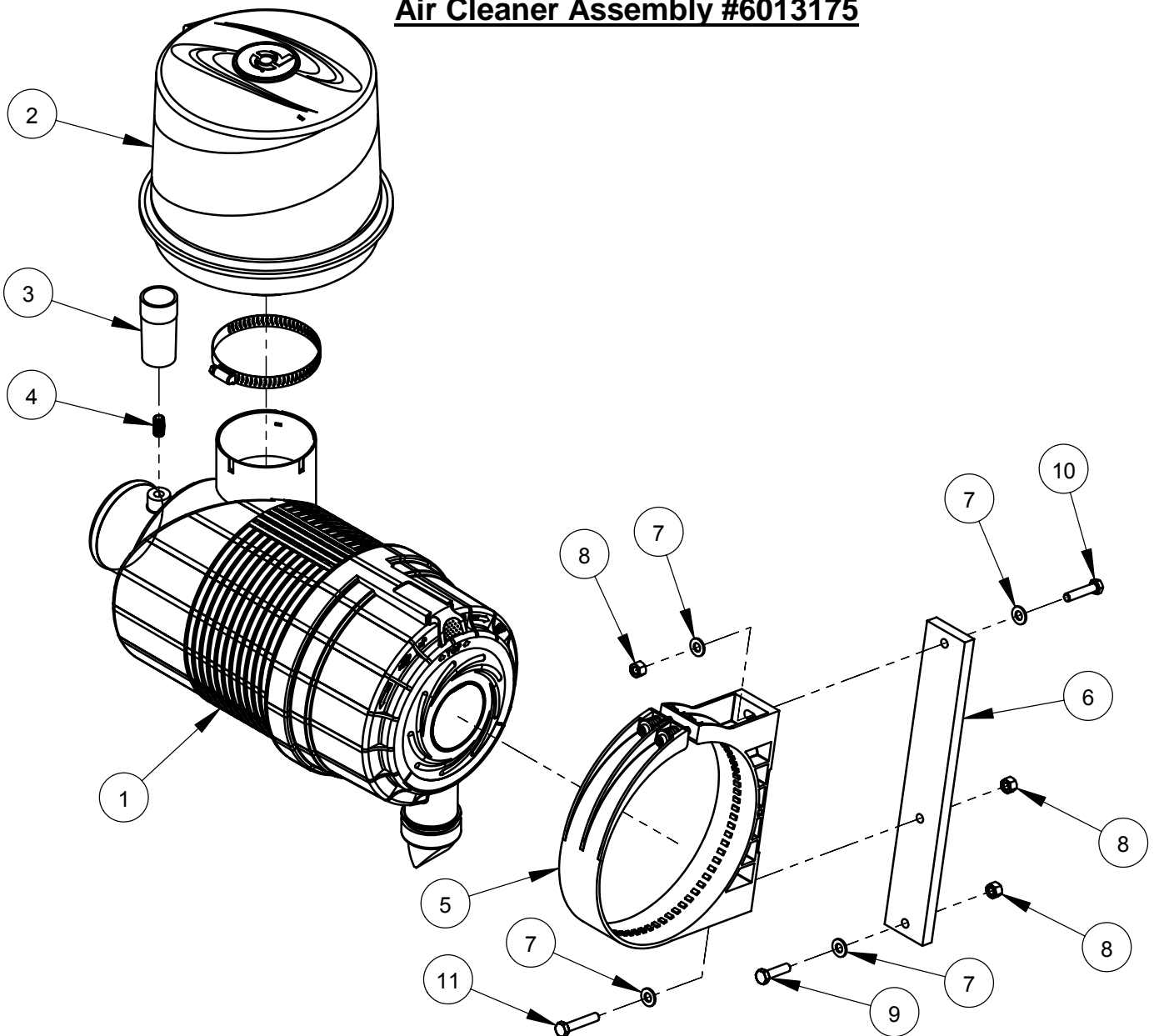
| ITEM | PART NO. | QTY. | DESCRIPTION                    |
|------|----------|------|--------------------------------|
| 1    | 6010097  | 1    | Depth Stop Weldment            |
| 2    | 2900665  | 4    | Belleville Washer, 1/2"        |
| 3    | 2900058  | 1    | Flat Washer, 1/2" SAE          |
| 4    | 2900239  | 1    | Friction Washer, 1/2"          |
| 5    | 6010095  | 1    | Depth Stop Knob                |
| 6    | 2900132  | 1    | Roll Pin, 3/16" x 1-1/4"       |
| 7    | 2900158  | 1    | Yoke, 1/2-13                   |
| 8    | 2900084  | 1    | Lock Washer, 1/2" Split        |
| 9    | 2900037  | 1    | Hex Nut, 1/2-13                |
| 10   | 2900007  | 1    | Clevis Pin, 1/2" Dia. x 1-3/8" |
| 11   | 2900004  | 1    | Cotter Pin, 1/8" x 1"          |

## Water Supply Assembly #6010718



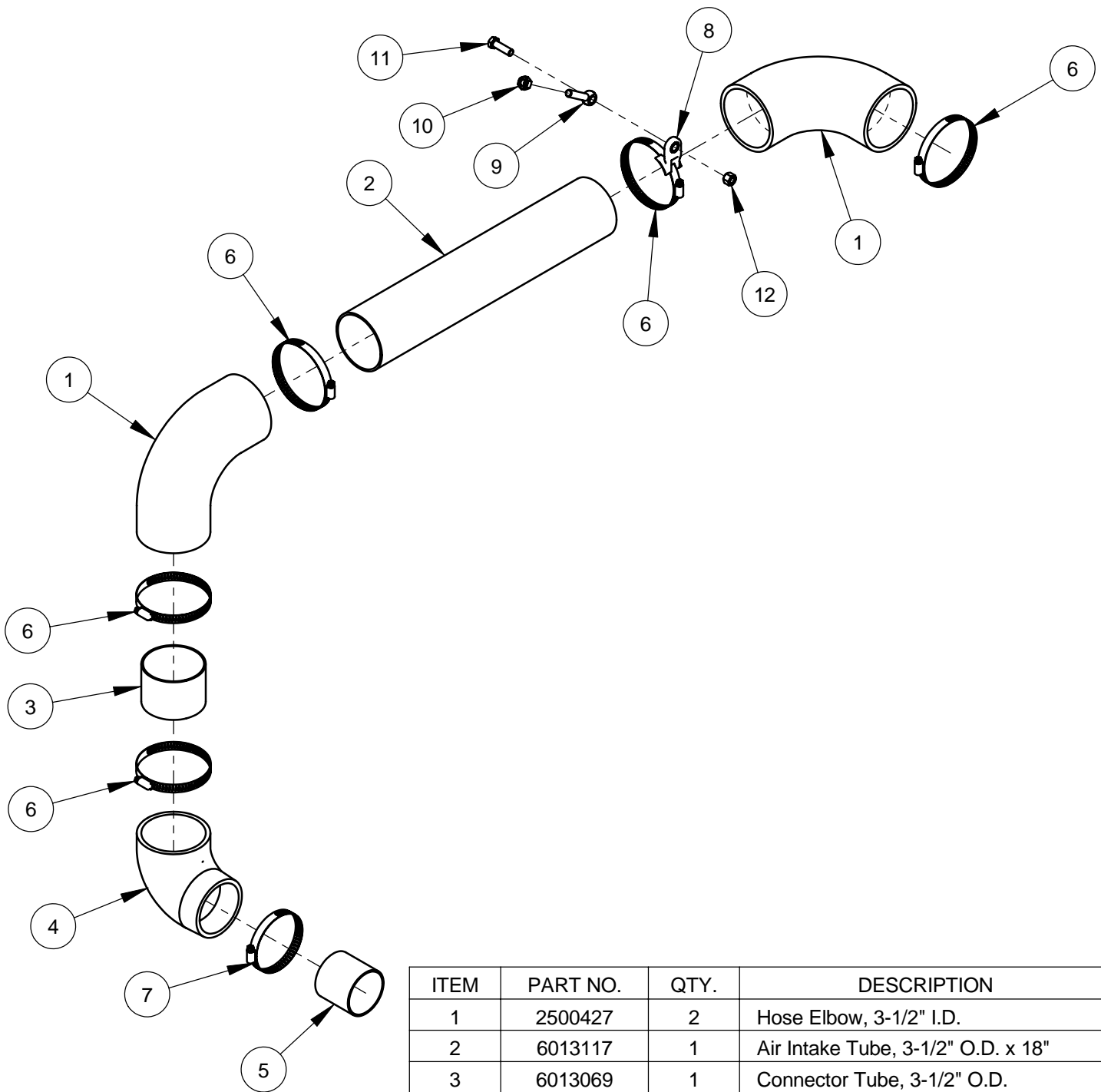
| ITEM | PART NO. | QTY. | DESCRIPTION                             |
|------|----------|------|---|
| 1    | 6090069  | 1    | Water Supply Tube                       |
| 2    | 3200045  | 1    | Pipe Tee, 1/2" NPT                      |
| 3    | 3200008  | 2    | Close Nipple, 1/2" NPT                  |
| 4    | 3200022  | 1    | Fitting, 1/2" F. Pipe to 3/4" F. Garden |
| 5    | 3200025  | 1    | Hose Filter Washer                      |
| 6    | 3200013  | 2    | Street Elbow, 1/2" NPT                  |
| 7    | 3200027  | 2    | Water Valve                             |
| 8    | 3200155  | 2    | Fitting, 1/2" M. Pipe to 3/4" M. Garden |
| 9    | 6010021  | 1    | Water Hose Assembly, 42" Long           |
| 10   | 3200001  | 1    | Plug, 1/8" NPT                          |
| 11   | 2900241  | 2    | U-Bolt, 1/2" Pipe                       |
| 12   | 2900009  | 4    | Flat Washer, 1/4" SAE                   |
| 13   | 2900010  | 4    | Lock Nut, 1/4-20 Nylon                  |

## Air Cleaner Assembly #6013175



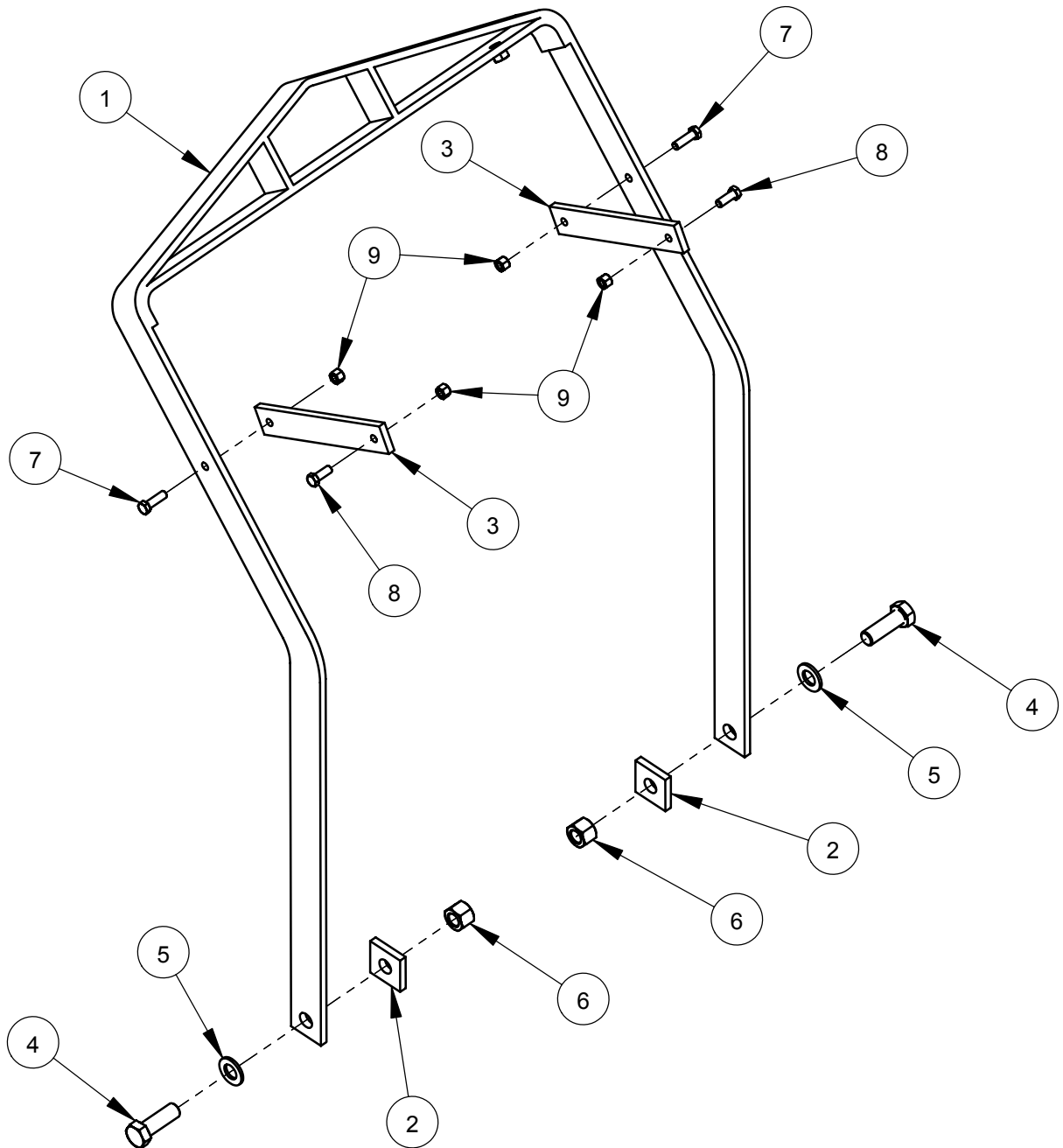
| ITEM | PART NO. | QTY. | DESCRIPTION                          |
|------|----------|------|--------------------------------------|
| 1    | 2501350  | 1    | Air Cleaner Complete                 |
|      | 2501352  | 1    | Outer Primary Filter                 |
|      | 2501353  | 1    | Inner Safety Filter                  |
|      | 2500239  | 1    | Rubber Dust Ejector Boot             |
| 2    | 2501447  | 1    | Pre-Cleaner with Clamp               |
| 3    | 2500423  | 1    | Restriction Indicator                |
| 4    | 3200117  | 1    | Close Nipple, 1/8" NPT               |
| 5    | 2501351  | 1    | Mounting Band, Polymer               |
| 6    | 6013126  | 1    | Air Cleaner Mount                    |
| 7    | 2900022  | 4    | Flat Washer, 5/16" SAE               |
| 8    | 2900039  | 3    | Lock Nut, 5/16-18 Nylon              |
| 9    | 2900217  | 1    | Cap Screw, Hex Hd., 5/16-18 x 1-1/4" |
| 10   | 2900508  | 1    | Cap Screw, Hex Hd., 5/16-18 x 1-1/2" |
| 11   | 2900538  | 1    | Cap Screw, Hex Hd., 5/16-18 x 1-3/4" |

## Air Intake Assembly #6013176



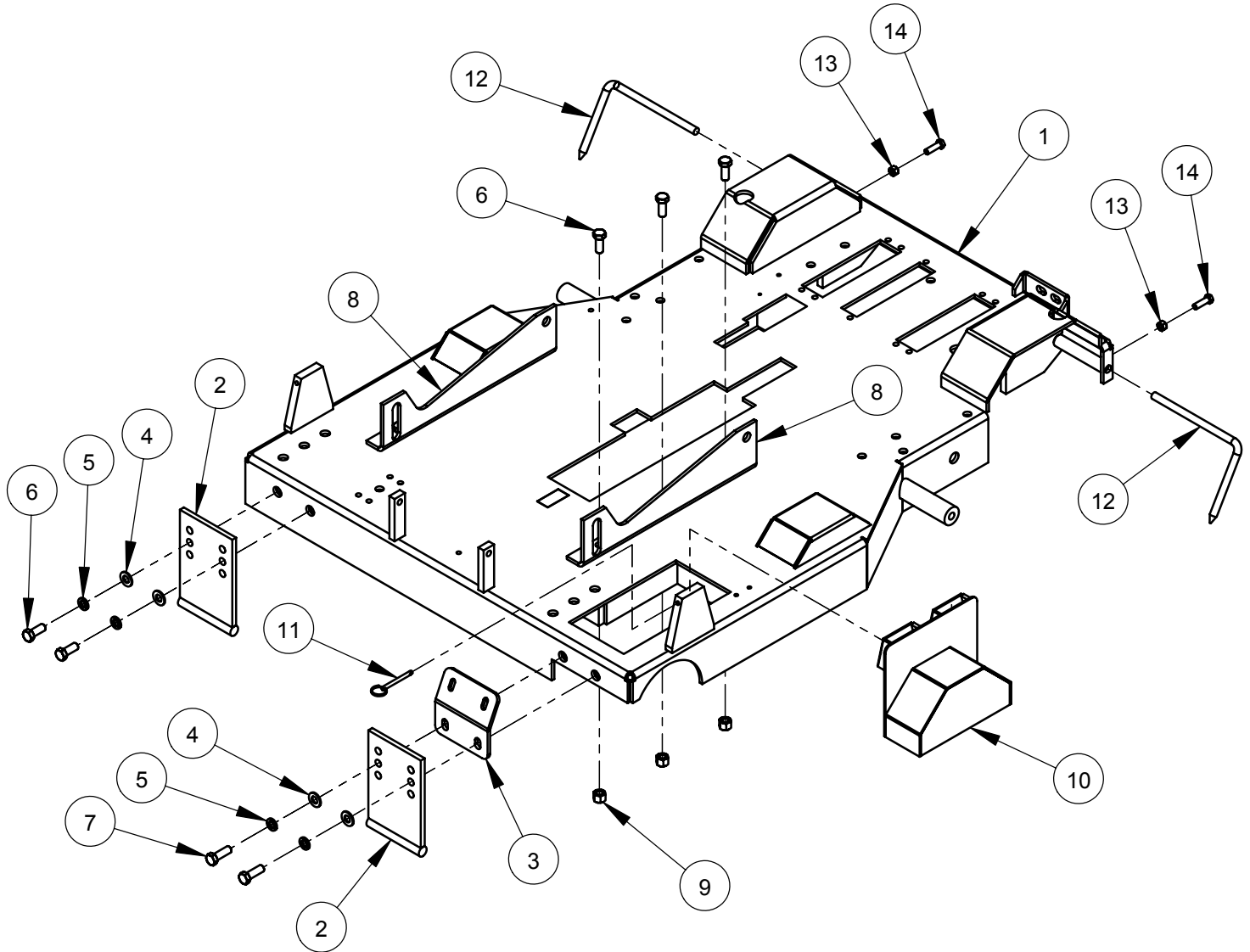
| ITEM | PART NO. | QTY. | DESCRIPTION                         |
|------|----------|------|-------------------------------------|
| 1    | 2500427  | 2    | Hose Elbow, 3-1/2" I.D.             |
| 2    | 6013117  | 1    | Air Intake Tube, 3-1/2" O.D. x 18"  |
| 3    | 6013069  | 1    | Connector Tube, 3-1/2" O.D.         |
| 4    | 2500458  | 1    | Hose Elbow, 3" to 3-1/2" I.D.       |
| 5    | 6013118  | 1    | Connector Tube, 2-3/4" O.D.         |
| 6    | 3200198  | 5    | Hose Clamp #64                      |
| 7    | 3200197  | 1    | Hose Clamp #52                      |
| 8    | 2501753  | 1    | Hose Mount Support                  |
| 9    | 2900592  | 1    | Eyebolt, M10 x 50mm                 |
| 10   | 2900325  | 1    | Hex Nut, M10                        |
| 11   | 2900013  | 1    | Cap Screw, Hex Hd., 3/8-16 x 1-1/4" |
| 12   | 2900018  | 1    | Lock Nut, 3/8-16 Nylon              |

## Frame Lift Assembly #6010731



| ITEM | PART NO. | QTY. | DESCRIPTION                         |
|------|----------|------|-------------------------------------|
| 1    | 6013051  | 1    | Frame Lift                          |
| 2    | 6013053  | 2    | Frame Lift Spacer                   |
| 3    | 6010689  | 2    | Frame Lift Brace                    |
| 4    | 2900465  | 2    | Cap Screw, Hex Hd., 3/4-10 x 2-1/4" |
| 5    | 2900003  | 2    | Flat Washer, 3/4" SAE               |
| 6    | 2900467  | 2    | Lock Nut, 3/4-10 Nylon              |
| 7    | 2900013  | 2    | Cap Screw, Hex Hd., 3/8-16 x 1-1/4" |
| 8    | 2900005  | 2    | Cap Screw, Hex Hd., 3/8-16 x 1"     |
| 9    | 2900018  | 4    | Lock Nut, 3/8-16 Nylon              |

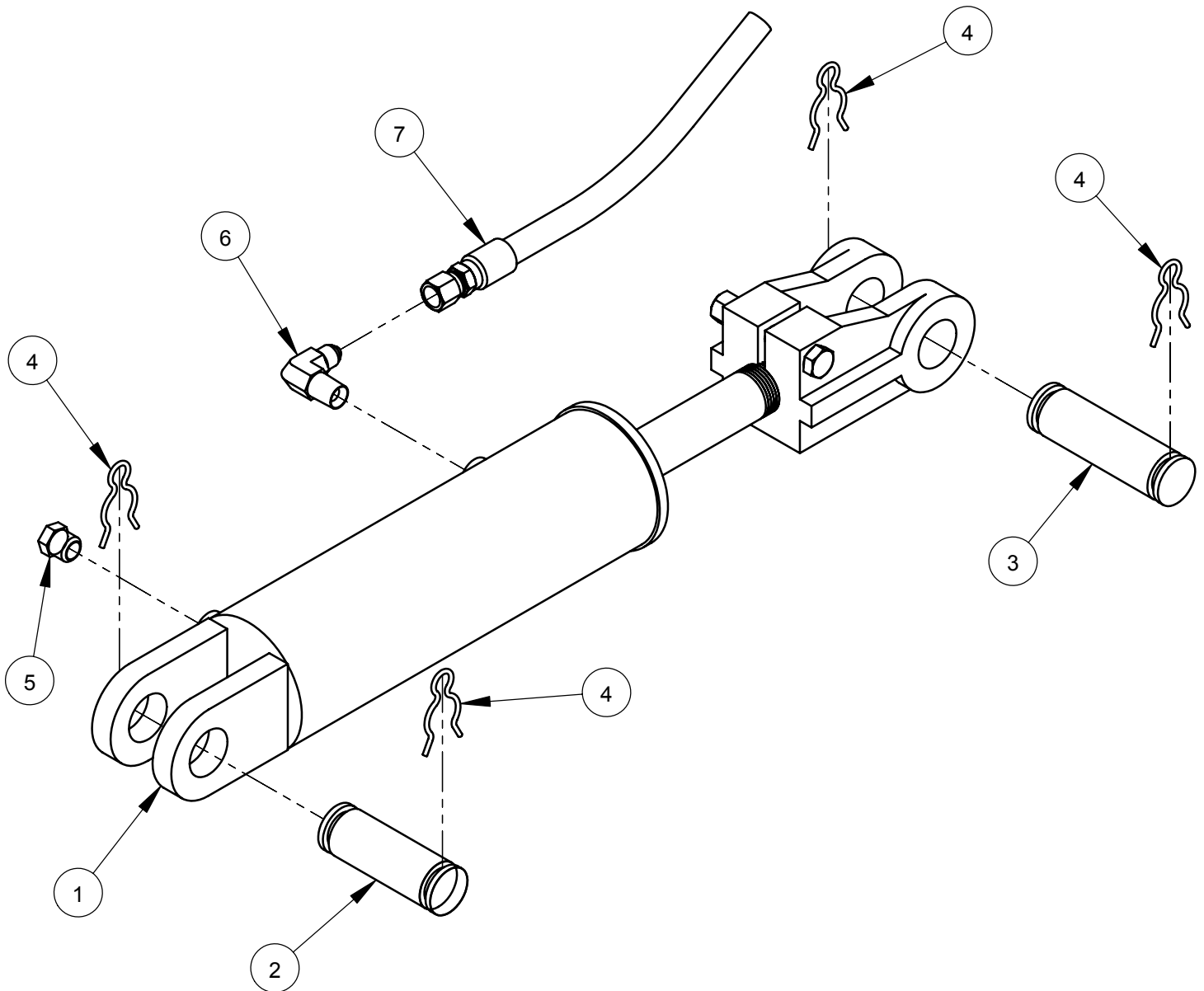
## Frame Base Assembly #6013167



| ITEM | PART NO. | QTY. | DESCRIPTION                         |
|------|----------|------|-------------------------------------|
| 1    | 6013048A | 1    | Frame Base                          |
| 2    | 6013165  | 2    | Skid Plate                          |
| 3    | 6013162  | 1    | Guard Attachment Plate (25 degree)  |
| 4    | 2900058  | 4    | Flat Washer, 1/2" SAE               |
| 5    | 2900084  | 4    | Lock Washer, 1/2" Split             |
| 6    | 2900025  | 8    | Cap Screw, Hex Hd., 1/2-13 x 1-1/4" |
| 7    | 2900499  | 2    | Cap Screw, Hex Hd., 1/2-13 x 1-1/2" |
| 8    | 6013034  | 2    | Engine Mount R.H.                   |
| 9    | 2900026  | 6    | Lock Nut, 1/2-13 Nylon              |
| 10   | 6010645  | 1    | Shaft/Flange Guard (Wide)           |
| 11   | 2900156  | 1    | Lock Pin with Ring                  |
| 12   | 6010683  | 2    | Rear Pointer Rod                    |
| 13   | 2900033  | 2    | Hex Nut, 3/8-16                     |
| 14   | 2900013  | 2    | Cap Screw, Hex Hd., 3/8-16 x 1-1/4" |

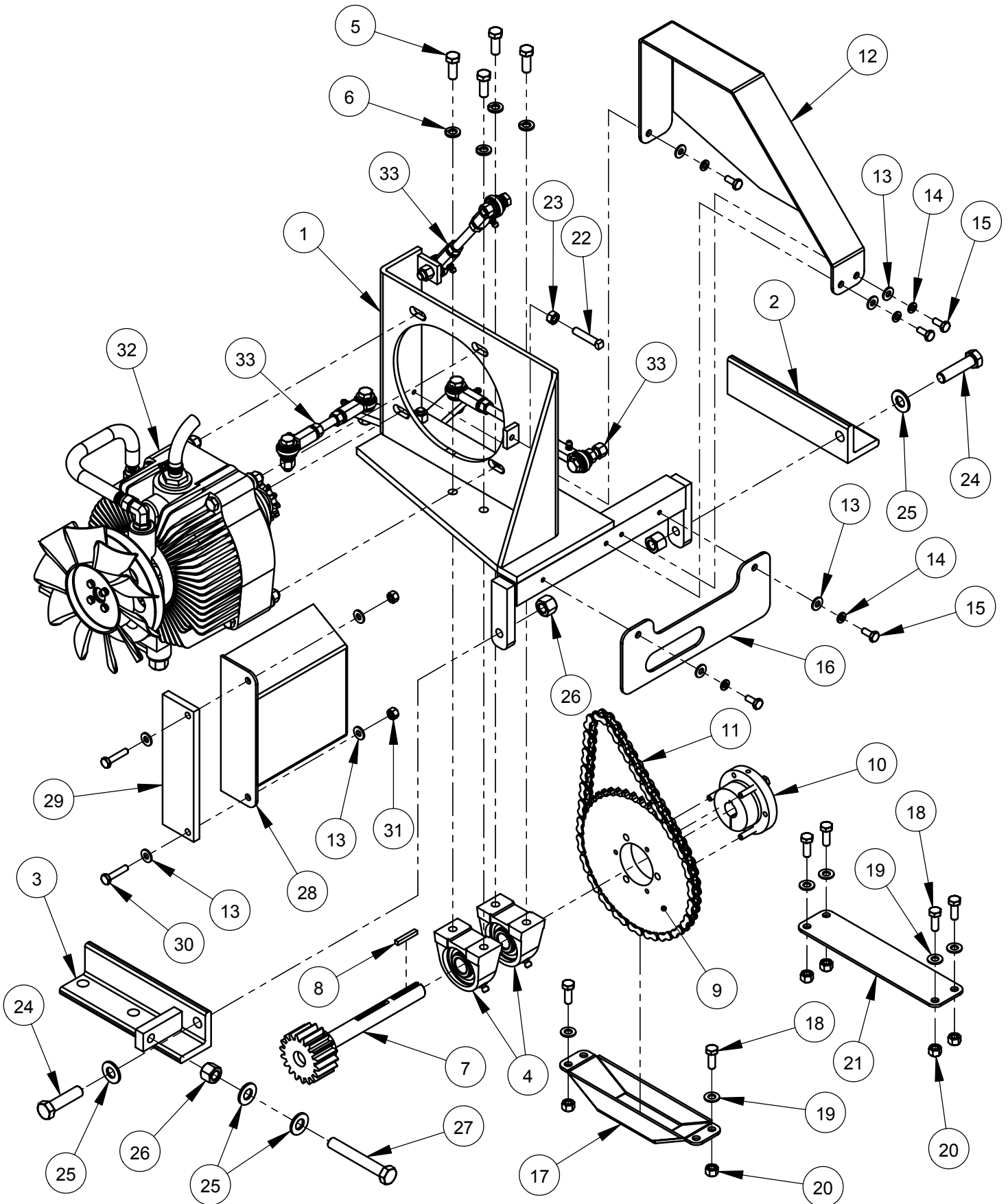


## Hydraulic Cylinder Assembly #6013170



| ITEM | PART NO. | QTY. | DESCRIPTION                        |
|------|----------|------|------------------------------------|
| 1    | 2500555  | 1    | Hydraulic Cylinder                 |
| 2    | 6010031  | 1    | Cylinder Pin, 3"                   |
| 3    | 6010119  | 1    | Cylinder Pin, 3-1/2"               |
| 4    | 2900064  | 4    | Hair Pin Cotter, 3/4"              |
| 5    | 3200067  | 1    | Cylinder Breather, 1/4" NPT        |
| 6    | 3200057  | 1    | Elbow, 1/4" M. Pipe to 1/4" M. JIC |
| 7    | 3200054  | 1    | Hose Assembly, 32" Long            |

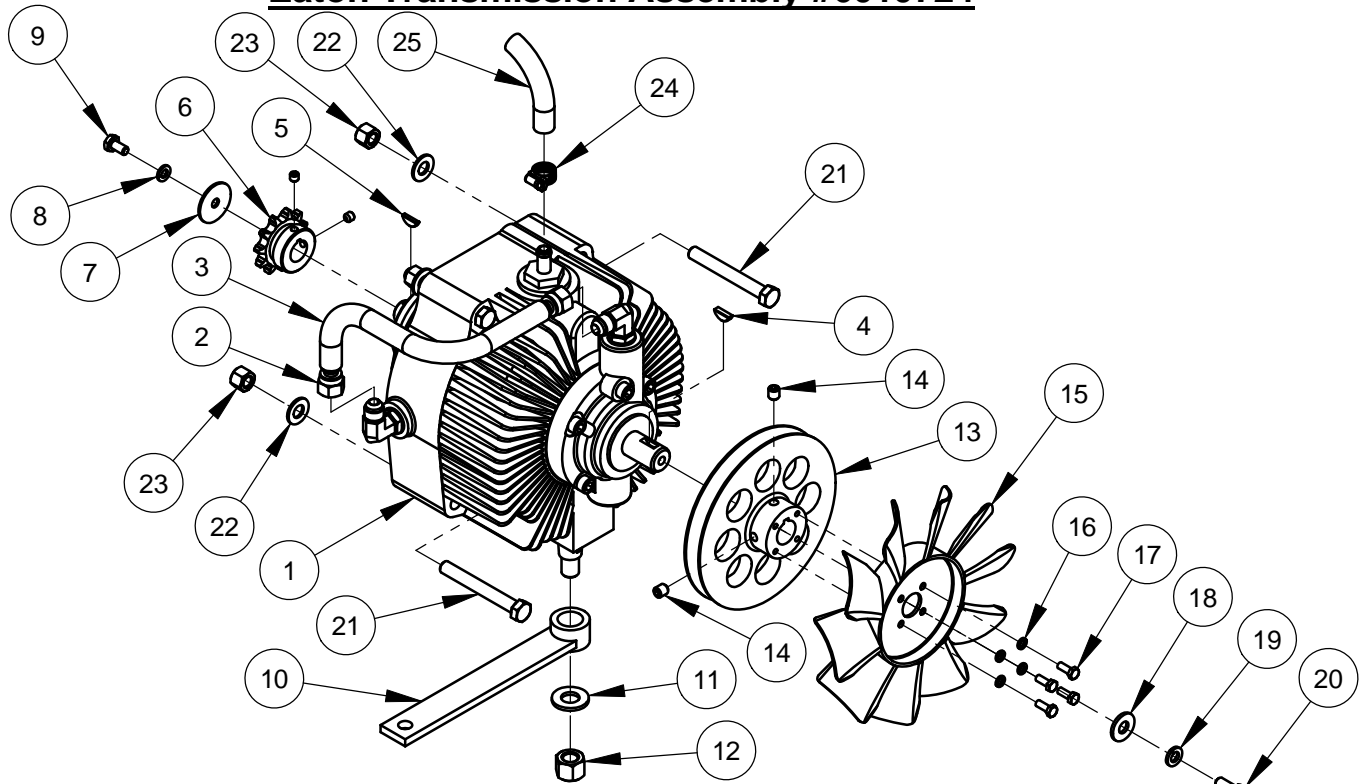
# Rear Drive Assembly #6013178 (Eaton)



## Rear Drive Assembly #6013178 (Eaton)

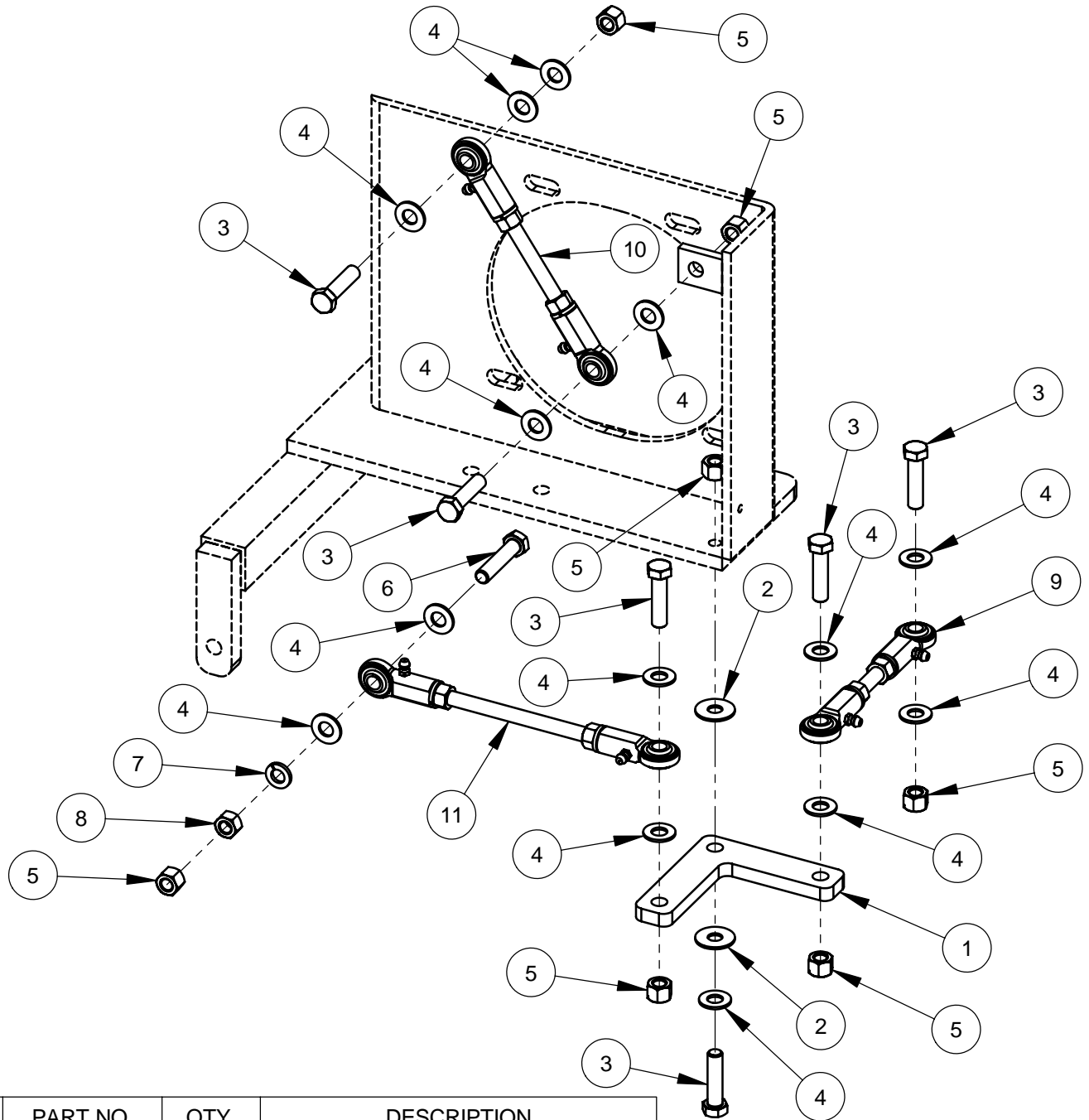
| ITEM | PART NO. | QTY. | DESCRIPTION                          |
|------|----------|------|--------------------------------------|
| 1    | 6010068  | 1    | Transmission Platform Weldment       |
| 2    | 6010027  | 1    | Mount Foot, Right Hand               |
| 3    | 6010028  | 1    | Mount Foot, Left Hand                |
| 4    | 2500159  | 2    | Pillow Block Bearing, 3/4"           |
| 5    | 2900005  | 4    | Cap Screw, Hex Hd., 3/8-16 x 1"      |
| 6    | 2900006  | 4    | Lock Washer, 3/8" Split              |
| 7    | 6010664  | 1    | Transmission Jackshaft, 18 Tooth     |
| 8    | 6048229  | 1    | Key, 3/16" Sq. x 1-1/4"              |
| 9    | 2500148  | 1    | Sprocket, #40 x 45 Tooth             |
| 10   | 2500149  | 1    | QD Bushing, SDS x 3/4" w/Fasteners   |
| 11   | 6010069  | 1    | Chain, #40 x 56 Pitch                |
| 12   | 6010671  | 1    | Chain Guard                          |
| 13   | 2900009  | 9    | Flat Washer, 1/4" SAE                |
| 14   | 2900024  | 5    | Lock Washer, 1/4" Split              |
| 15   | 2900023  | 5    | Cap Screw, Hex Hd., 1/4-20 x 5/8"    |
| 16   | 6010679  | 1    | Gear Guard                           |
| 17   | 6010674  | 1    | Sprocket Guard                       |
| 18   | 2900668  | 6    | Cap Screw, Hex Hd., 5/16-18 x 7/8"   |
| 19   | 2900022  | 6    | Flat Washer, 5/16" SAE               |
| 20   | 2900039  | 6    | Lock Nut, 5/16-18 Nylon              |
| 21   | 6010678  | 1    | Cover Plate (Wide)                   |
| 22   | 2900140  | 1    | Set Screw, Sq. Hd., 5/16-18 x 1-1/2" |
| 23   | 2900141  | 1    | Hex Nut, 5/16-18                     |
| 24   | 2900106  | 2    | Cap Screw, Hex Hd., 1/2-13 x 2"      |
| 25   | 2900058  | 4    | Flat Washer, 1/2" SAE                |
| 26   | 2900026  | 3    | Lock Nut, 1/2-13 Nylon               |
| 27   | 2900542  | 1    | Tap Bolt, Hex Hd., 1/2-13 x 3-1/2"   |
| 28   | 6010673  | 1    | Fan Guard                            |
| 29   | 6010735  | 1    | Spacer, Fan Guard                    |
| 30   | 2900052  | 2    | Cap Screw, Hex Hd., 1/4-20 x 1-1/4"  |
| 31   | 2900010  | 2    | Lock Nut, 1/4-20 Nylon               |
| 32   | 6010724  | 1    | Eaton Transmission Assembly          |
| 33   | 6010725  | 1    | Linkage Assembly                     |

## Eaton Transmission Assembly #6010724



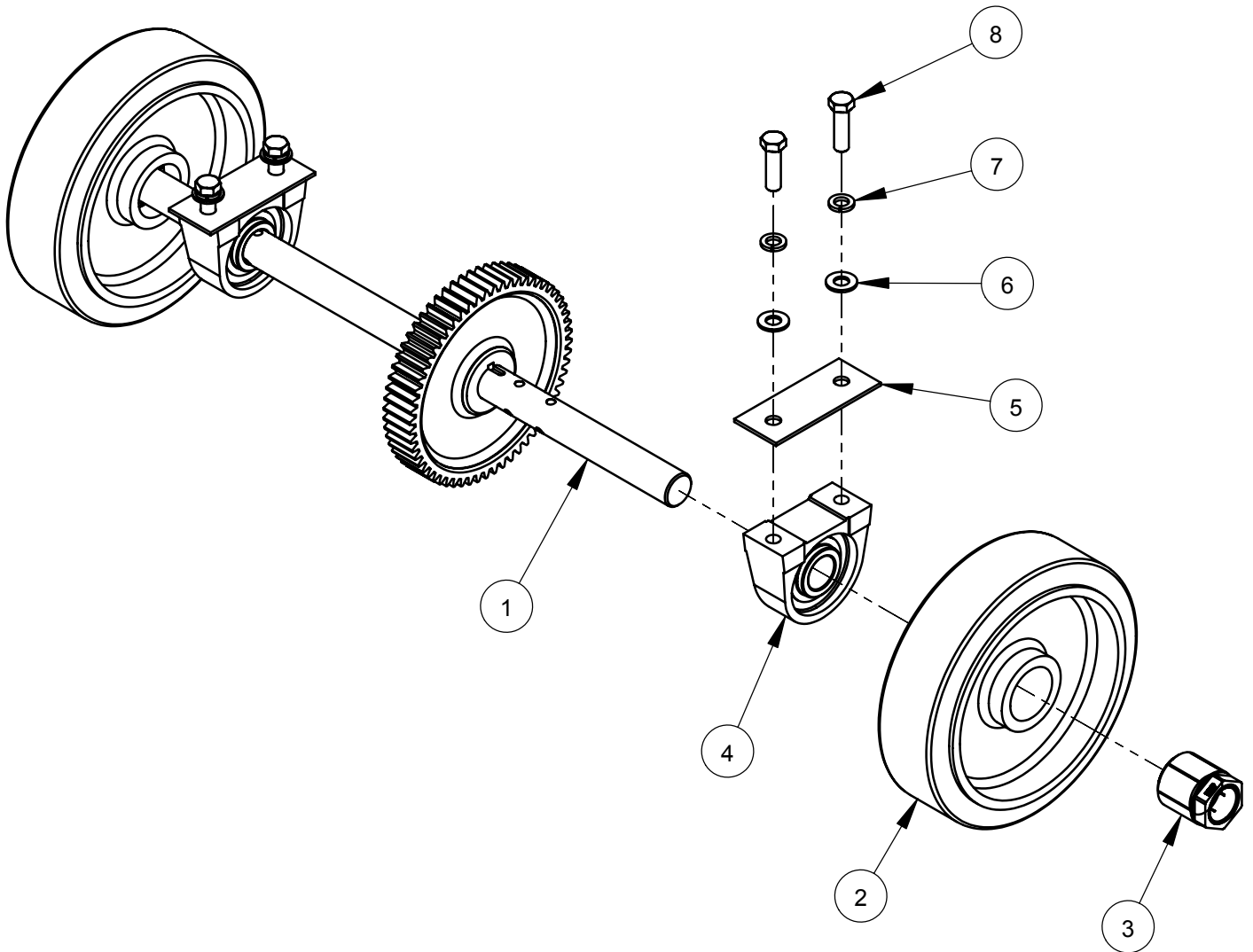
| ITEM | PART NO. | QTY. | DESCRIPTION                            |
|------|----------|------|--|
| 1    | 2600068  | 1    | Eaton Hydrostatic Transmission         |
| 2    | 3200046  | 2    | Fitting, 3/8" F. JIC to 3/8" Push Lock |
| 3    | 6010060  | 1    | Oil Recirculation Hose, 3/8" I.D. x 9" |
| 4    | 2900143  | 1    | Woodruff Key #61, 3/16" x 5/8"         |
| 5    | 2900063  | 1    | Woodruff Key #405, 1/8" x 5/8"         |
| 6    | 2500150  | 1    | Sprocket, #40 x 11 Tooth w/Setscrews   |
| 7    | 2900083  | 1    | Fender Washer, 1/4" x 1-1/4"           |
| 8    | 2900024  | 1    | Lock Washer, 1/4" Split                |
| 9    | 2900082  | 1    | Cap Screw, Hex Hd., 1/4-20 x 1/2"      |
| 10   | 6010064  | 1    | Shift Lever                            |
| 11   | 2900058  | 1    | Flat Washer, 1/2" SAE                  |
| 12   | 2900026  | 1    | Lock Nut, 1/2-13 Nylon                 |
| 13   | 6010682  | 1    | Transmission Pulley 5.5"               |
| 14   | 2900142  | 2    | Set Screw, Soc. Hd., 5/16-18 x 3/8"    |
| 15   | 2500519  | 1    | Cooling Fan, 7"                        |
| 16   | 2900038  | 4    | Lock Washer, #10 Split                 |
| 17   | 2900448  | 4    | Machine Screw, Hex Hd., #10-32 x 1/2"  |
| 18   | 2900567  | 1    | Flat Washer, 5/16" USS                 |
| 19   | 2900031  | 1    | Lock Washer, 5/16" Split               |
| 20   | 2900019  | 1    | Cap Screw, Hex Hd., 5/16-18 x 3/4"     |
| 21   | 2900035  | 4    | Cap Screw, Hex Hd., 3/8-16 x 3"        |
| 22   | 2900014  | 4    | Flat Washer, 3/8" SAE                  |
| 23   | 2900018  | 4    | Lock Nut, 3/8-16 Nylon                 |
| 24   | 3200062  | 1    | Hose Clamp #4                          |
| 25   | 6010059  | 1    | Clear Hose, 3/8" I.D. x 19"            |

## Linkage Assembly #6010725



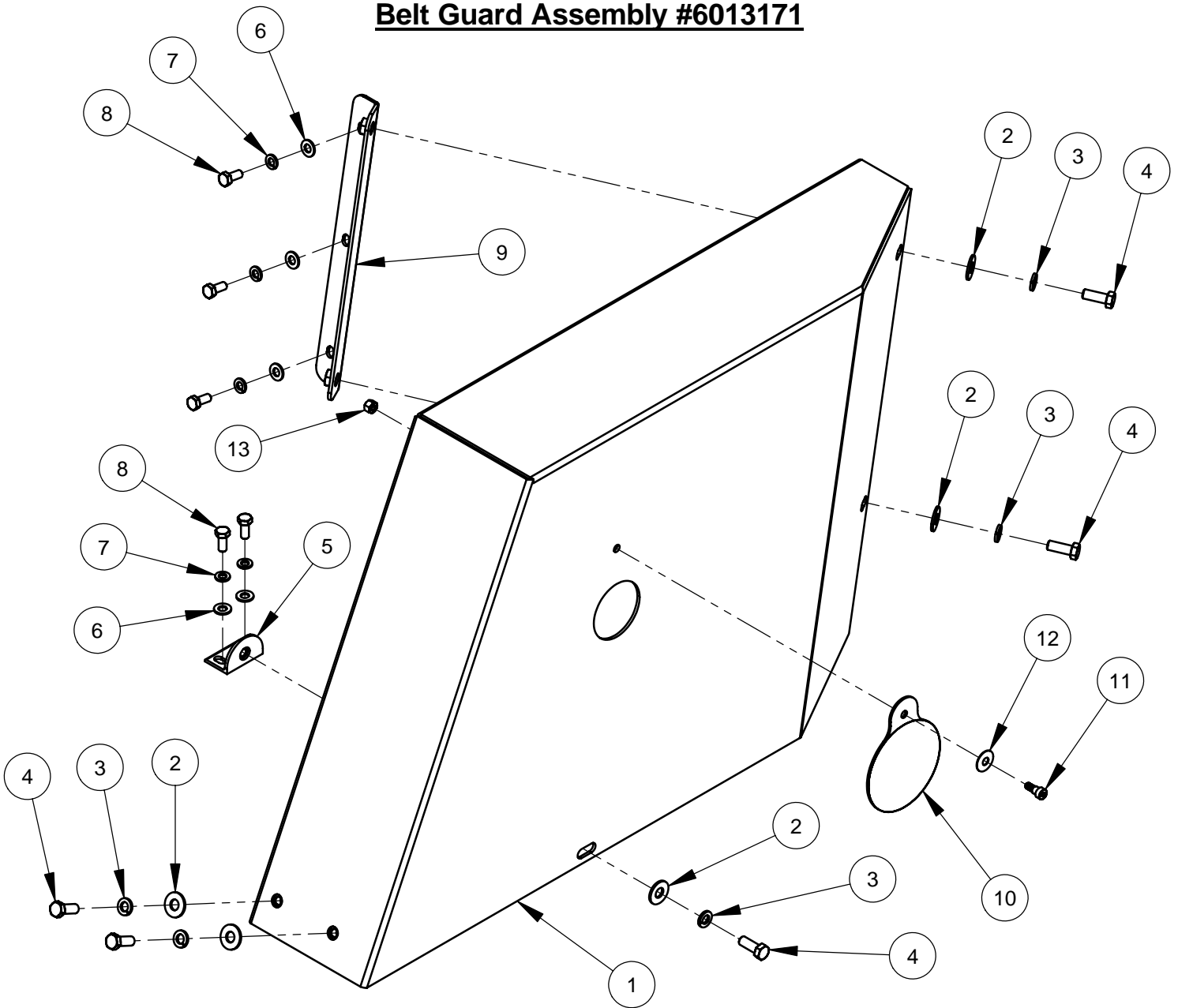
| ITEM | PART NO. | QTY. | DESCRIPTION                         |
|------|----------|------|-------------------------------------|
| 1    | 6010067  | 1    | Bell Crank                          |
| 2    | 2900153  | 2    | Friction Washer, 3/8"               |
| 3    | 2900029  | 6    | Cap Screw, Hex Hd., 3/8-16 x 1-1/2" |
| 4    | 2900014  | 14   | Flat Washer, 3/8" SAE               |
| 5    | 2900018  | 7    | Lock Nut, 3/8-16 Nylon              |
| 6    | 2900047  | 1    | Cap Screw, Hex Hd., 3/8-16 x 1-3/4" |
| 7    | 2900006  | 1    | Lock Washer, 3/8" Split             |
| 8    | 2900033  | 1    | Hex Nut, 3/8-16                     |
| 9    | 6010704  | 1    | Linkage Assembly 5-1/8"             |
| 10   | 6010705  | 1    | Linkage Assembly 6-1/4"             |
| 11   | 6010706  | 1    | Linkage Assembly 8"                 |

## Rear Axle Assembly #6010743 (Eaton / Gear)



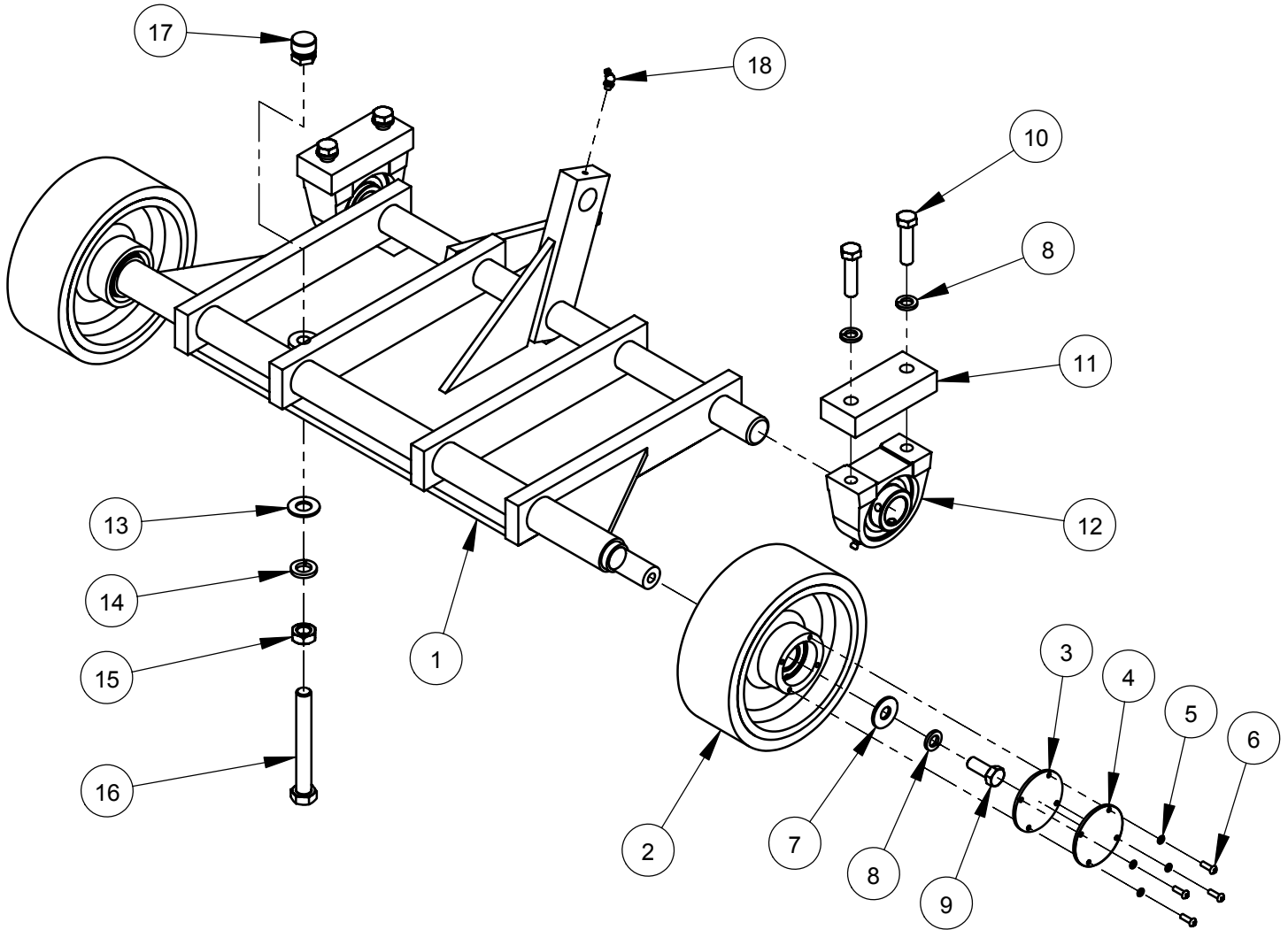
| ITEM | PART NO. | QTY. | DESCRIPTION                         |
|------|----------|------|-------------------------------------|
| 1    | 6010686  | 1    | Rear Axle Weldment w/60 Tooth Gear  |
| 2    | 2500873  | 2    | Wheel, 10" Rear with 2" Bore        |
| 3    | 2500874  | 2    | Trantorque Bushing, 1-1/4"          |
| 4    | 2500158  | 2    | Pillow Block Bearing 1-1/4"         |
| 5    | 6010024  | 2    | Rear Axle Bearing Spacer, 1/8"      |
| 6    | 2900058  | 4    | Flat Washer, 1/2" SAE               |
| 7    | 2900084  | 4    | Lock Washer, 1/2" Split             |
| 8    | 2900139  | 4    | Cap Screw, Hex Hd., 1/2-13 x 1-3/4" |

## Belt Guard Assembly #6013171



| ITEM | PART NO. | QTY. | DESCRIPTION                           |
|------|----------|------|---------------------------------------|
| 1    | 6013161  | 1    | Belt Guard                            |
| 2    | 2900473  | 5    | Flat Washer, 3/8" USS                 |
| 3    | 2900006  | 5    | Lock Washer, 3/8" Split               |
| 4    | 2900005  | 5    | Cap Screw, Hex Hd., 3/8-16 x 1"       |
| 5    | 6010558  | 1    | Guard Mounting Tab, 3/8-16            |
| 6    | 2900022  | 5    | Flat Washer, 5/16" SAE                |
| 7    | 2900031  | 5    | Lock Washer, 5/16" Split              |
| 8    | 2900019  | 5    | Cap Screw, Hex Hd., 5/16-18 x 3/4"    |
| 9    | 6010556  | 1    | Belt Guard Mount Bracket              |
| 10   | 6010768  | 1    | Swing Cover Plate with Label          |
| 11   | 2900246  | 1    | Shoulder Screw, 5/16" x 1/4" (1/4-20) |
| 12   | 2900252  | 1    | Belleville Washer, 5/16"              |
| 13   | 2900010  | 1    | Lock Nut, 1/4-20 Nylon                |

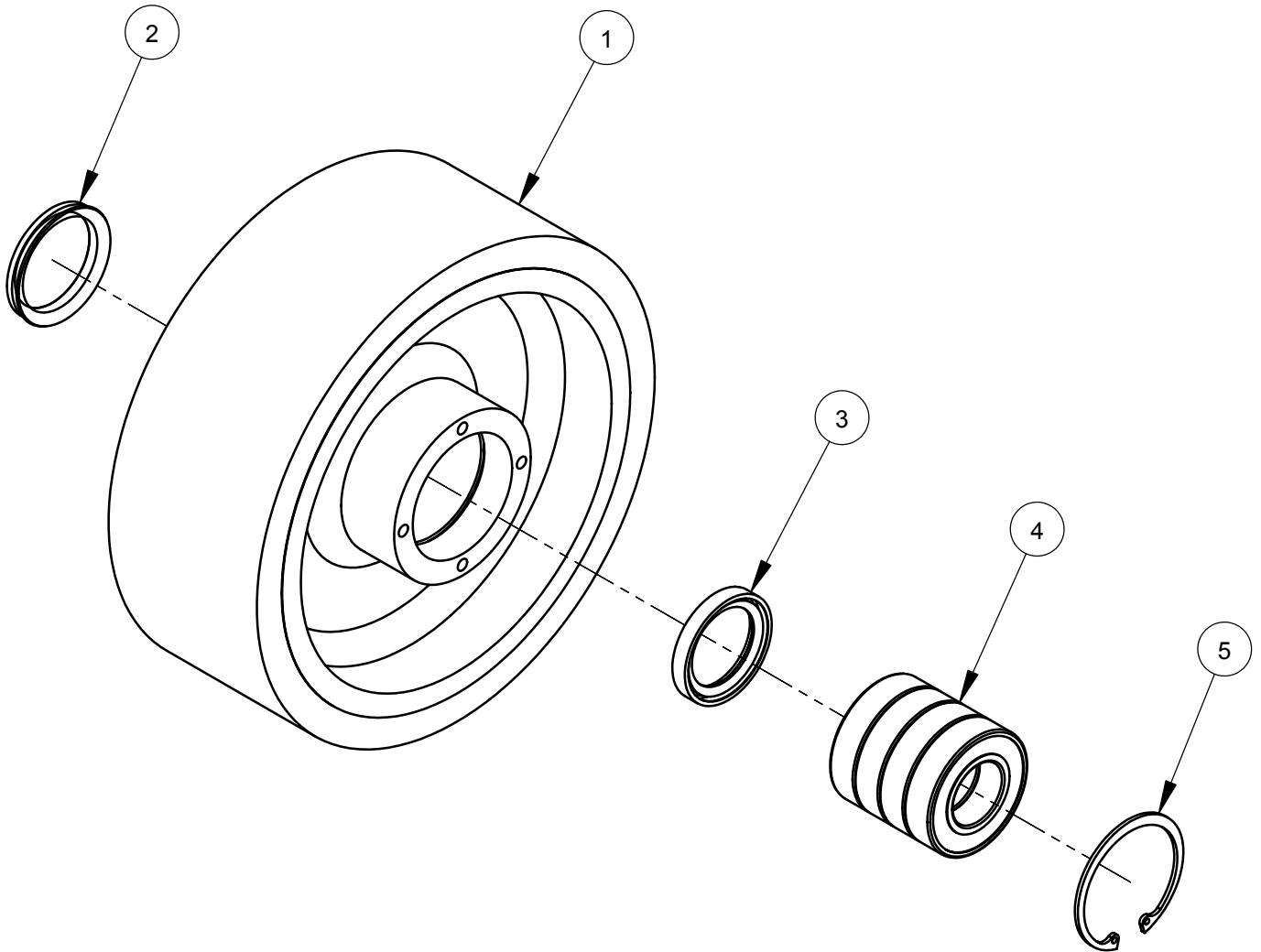
## Front Axle Assembly #6013134



| ITEM | PART NO. | QTY. | DESCRIPTION                           |
|------|----------|------|---------------------------------------|
| 1    | 6013135  | 1    | Front Axle Weldment                   |
| 2    | 6010581  | 2    | Wheel Assembly, 8" Front              |
| 3    | 2501393  | 2    | Wheel Cover Gasket                    |
| 4    | 6010536  | 2    | Wheel Cover                           |
| 5    | 2900038  | 8    | Lock Washer, #10 Split                |
| 6    | 2900159  | 8    | Machine Screw, Rd. Hd., #10-24 x 5/8" |
| 7    | 2900127  | 2    | Flat Washer, 1/2" USS                 |
| 8    | 2900084  | 6    | Lock Washer, 1/2" Split               |
| 9    | 2900025  | 2    | Cap Screw, Hex Hd., 1/2-13 x 1-1/4"   |
| 10   | 2900106  | 4    | Cap Screw, Hex Hd., 1/2-13 x 2"       |
| 11   | 6013010  | 2    | Front Axle Bearing Spacer 1"          |
| 12   | 2500158  | 2    | Pillow Block Bearing 1-1/4"           |
| 13   | 2900002  | 1    | Flat Washer, 5/8" SAE                 |
| 14   | 2900113  | 1    | Lock Washer, 5/8" Split               |
| 15   | 2900256  | 1    | Jam Nut, 5/8-11                       |
| 16   | 2900725  | 1    | Tap Bolt, Hex Hd., 5/8-11 x 5"        |
| 17   | 2900446  | 1    | Swivel Pad Nut, 5/8-11                |
| 18   | 2900184  | 1    | Grease Fitting, 1/8" NPT x 45 degree  |

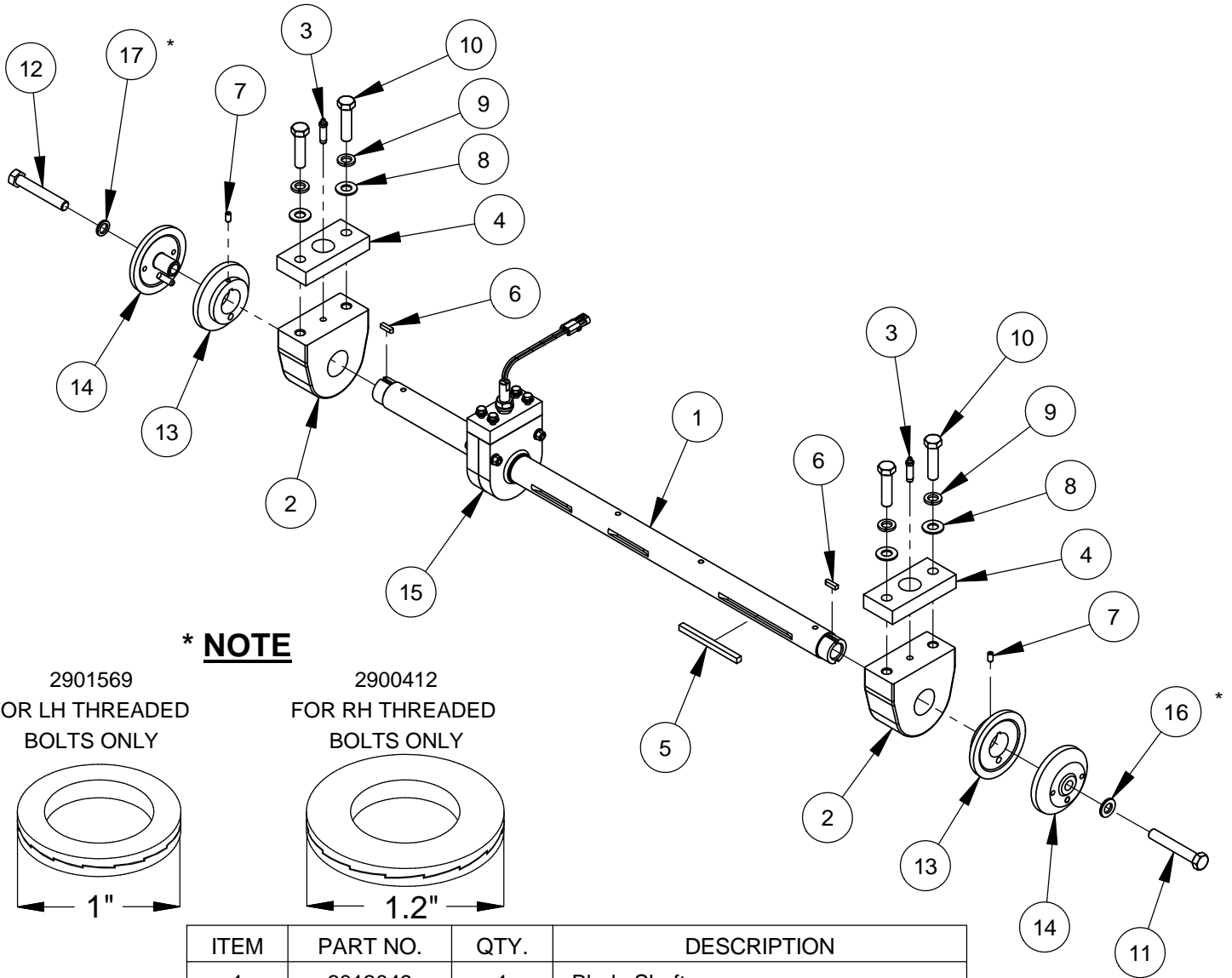


## Front Wheel Assembly #6010581



| ITEM | PART NO. | QTY. | DESCRIPTION                  |
|------|----------|------|------------------------------|
| 1    | 2501390  | 1    | Wheel, 8" Front              |
| 2    | 2501428  | 1    | Seal, 1-1/2" V-Ring          |
| 3    | 2501391  | 1    | Seal, 1-1/4" x 1-3/4" x 1/4" |
| 4    | 2501418  | 4    | Ball Bearing, 1" x 2" x 1/2" |
| 5    | 2501392  | 1    | Retaining Ring, 2" Internal  |

## Blade Shaft Assembly #6013168A (Blades 14" - 26")

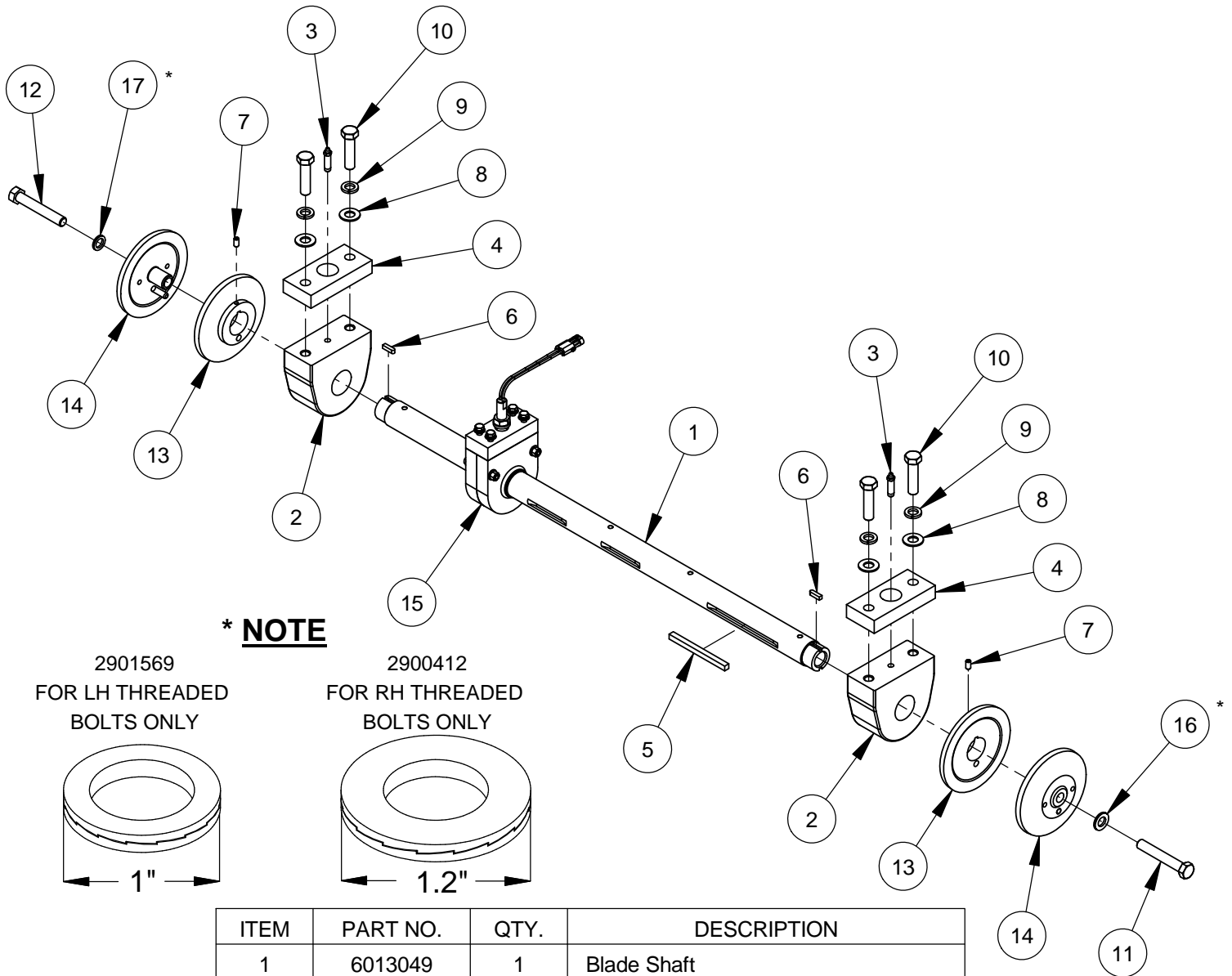


| ITEM | PART NO. | QTY. | DESCRIPTION                         |
|------|----------|------|-------------------------------------|
| 1    | 6013049  | 1    | Blade Shaft                         |
| 2    | 2500151  | 2    | Blade Shaft Bearing, 1-3/4"         |
| 3    | 2900264  | 2    | Grease Fitting, 1/8" NPT x 1-3/4"   |
| 4    | 6013019  | 2    | Blade Shaft Bearing Spacer 1"       |
| 5    | 6010034  | 1    | Key, 3/8" Sq. x 5"                  |
| 6    | 6010040  | 2    | Key, 1/4" Sq. x 15/16"              |
| 7    | 2900418  | 2    | Set Screw, Soc. Hd., 5/16-18 x 5/8" |
| 8    | 2900002  | 4    | Flat Washer, 5/8" SAE               |
| 9    | 2900113  | 4    | Lock Washer, 5/8" Split             |
| 10   | 2900527  | 4    | Cap Screw, Hex Hd., 5/8-11 x 2-1/2" |
| 11   | 2900146  | 1    | Cap Screw, Hex Hd., 5/8-11 x 4"     |
| 12   | 2900130  | 1    | Cap Screw, Hex Hd., 5/8-11 x 4" LH  |
| 13   | 6010036  | 2    | Inner Flange 4-1/2"                 |
| 14   | 6010037  | 2    | Outer Flange 4-1/2" with Pin        |
| 15   | 6013169  | 1    | Shaft Tach Gear Assembly            |
| 16   | 2900412  | 1    | Lock Washer, Wedge 5/8"             |
| 17   | 2901569  | 1    | Lock Washer, Wedge 5/8" LH          |

\* See Note

\* See Note

## Blade Shaft Assembly #6013168B (Blades 30" - 36")

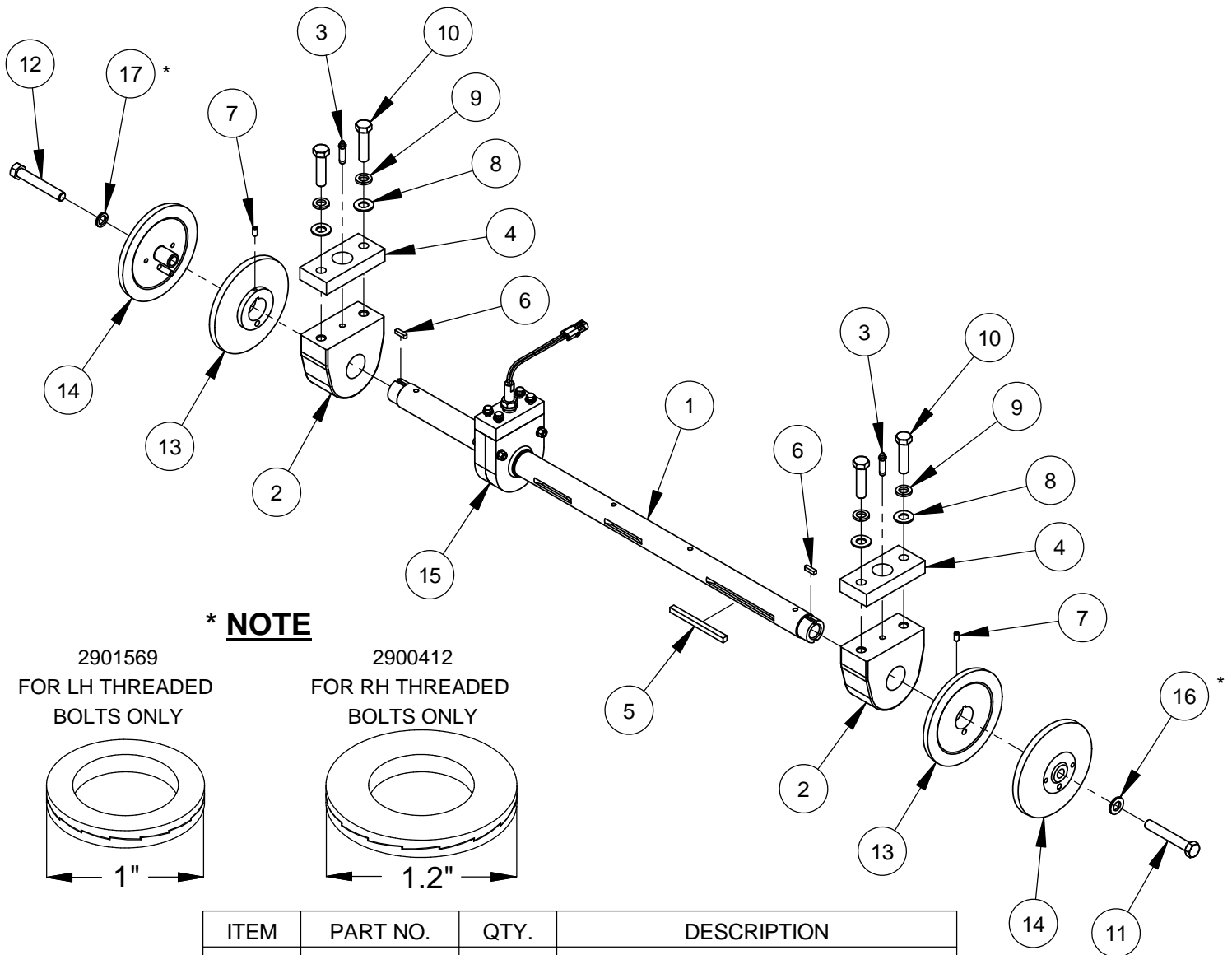


| ITEM | PART NO. | QTY. | DESCRIPTION                         |
|------|----------|------|-------------------------------------|
| 1    | 6013049  | 1    | Blade Shaft                         |
| 2    | 2500151  | 2    | Blade Shaft Bearing, 1-3/4"         |
| 3    | 2900264  | 2    | Grease Fitting, 1/8" NPT x 1-3/4"   |
| 4    | 6013019  | 2    | Blade Shaft Bearing Spacer 1"       |
| 5    | 6010034  | 1    | Key, 3/8" Sq. x 5"                  |
| 6    | 6010040  | 2    | Key, 1/4" Sq. x 15/16"              |
| 7    | 2900418  | 2    | Set Screw, Soc. Hd., 5/16-18 x 5/8" |
| 8    | 2900002  | 4    | Flat Washer, 5/8" SAE               |
| 9    | 2900113  | 4    | Lock Washer, 5/8" Split             |
| 10   | 2900527  | 4    | Cap Screw, Hex Hd., 5/8-11 x 2-1/2" |
| 11   | 2900146  | 1    | Cap Screw, Hex Hd., 5/8-11 x 4"     |
| 12   | 2900130  | 1    | Cap Screw, Hex Hd., 5/8-11 x 4" LH  |
| 13   | 6010038  | 2    | Inner Flange 6"                     |
| 14   | 6010039  | 2    | Outer Flange 6" with Pin            |
| 15   | 6013169  | 1    | Shaft Tach Gear Assembly            |
| 16   | 2900412  | 1    | Lock Washer, Wedge 5/8"             |
| 17   | 2901569  | 1    | Lock Washer, Wedge 5/8" LH          |

\* See Note

\* See Note

## Blade Shaft Assembly #6013168C (Blades 42")

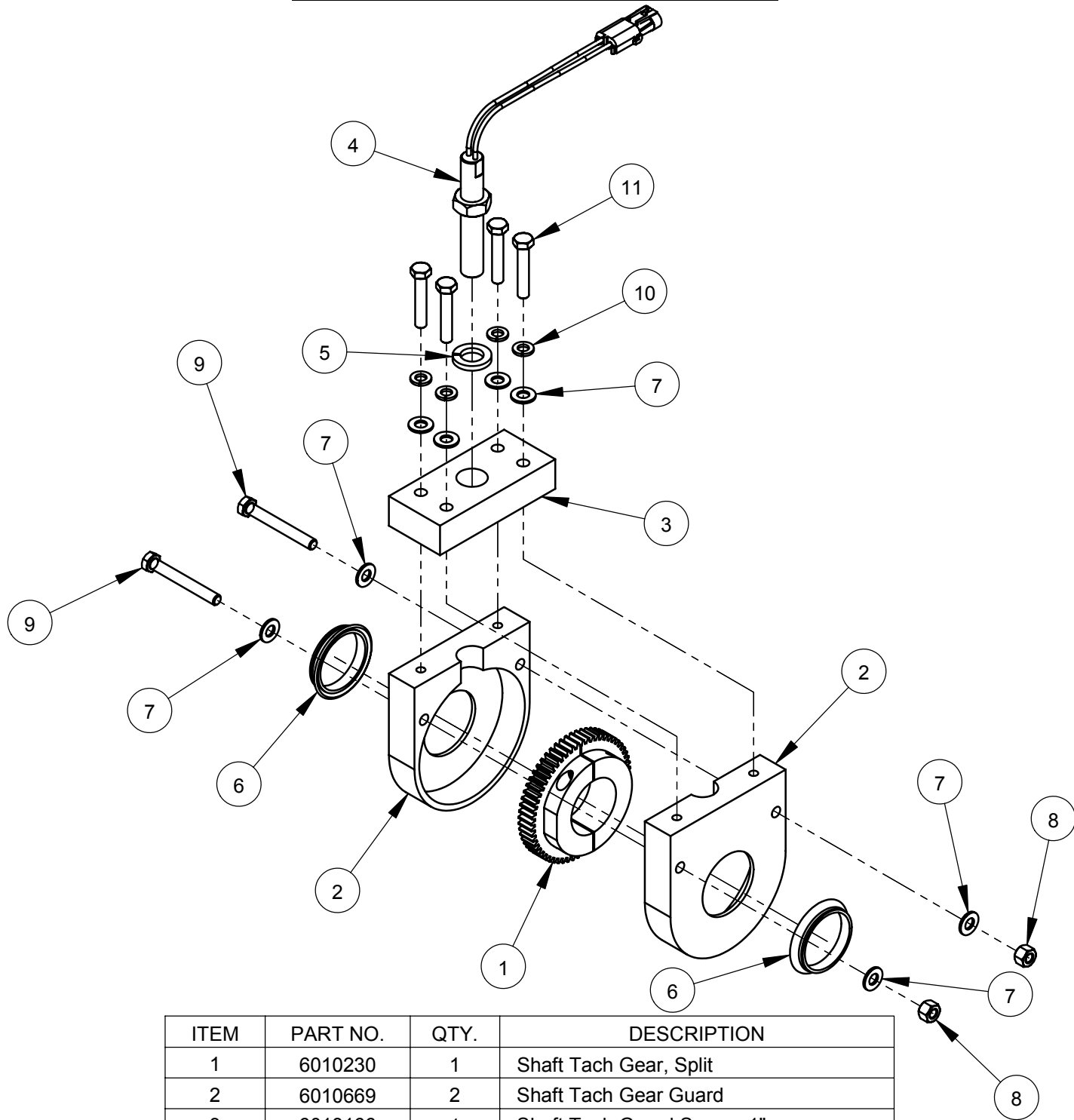


| ITEM | PART NO. | QTY. | DESCRIPTION                         |
|------|----------|------|-------------------------------------|
| 1    | 6013049  | 1    | Blade Shaft                         |
| 2    | 2500151  | 2    | Blade Shaft Bearing, 1-3/4"         |
| 3    | 2900264  | 2    | Grease Fitting, 1/8" NPT x 1-3/4"   |
| 4    | 6013019  | 2    | Blade Shaft Bearing Spacer 1"       |
| 5    | 6010034  | 1    | Key, 3/8" Sq. x 5"                  |
| 6    | 6010040  | 2    | Key, 1/4" Sq. x 15/16"              |
| 7    | 2900418  | 2    | Set Screw, Soc. Hd., 5/16-18 x 5/8" |
| 8    | 2900002  | 4    | Flat Washer, 5/8" SAE               |
| 9    | 2900113  | 4    | Lock Washer, 5/8" Split             |
| 10   | 2900527  | 4    | Cap Screw, Hex Hd., 5/8-11 x 2-1/2" |
| 11   | 2900146  | 1    | Cap Screw, Hex Hd., 5/8-11 x 4"     |
| 12   | 2900130  | 1    | Cap Screw, Hex Hd., 5/8-11 x 4" LH  |
| 13   | 6017230  | 2    | Inner Flange 7"                     |
| 14   | 6017231  | 2    | Outer Flange 7" with Pin            |
| 15   | 6013169  | 1    | Shaft Tach Gear Assembly            |
| 16   | 2900412  | 1    | Lock Washer, Wedge 5/8"             |
| 17   | 2901569  | 1    | Lock Washer, Wedge 5/8" LH          |

\* See Note

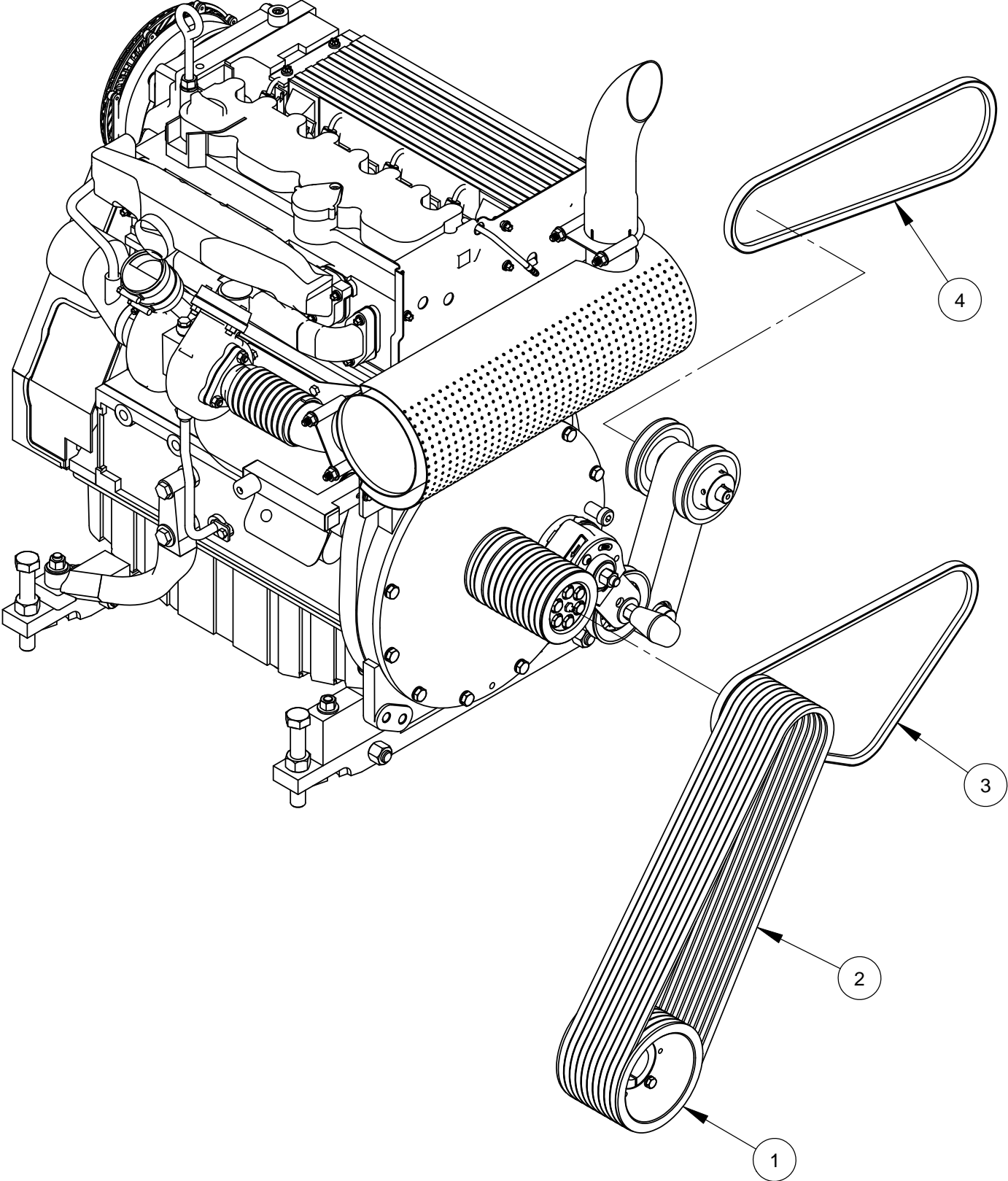
\* See Note

## Shaft Tach Gear Assembly #6013169



| ITEM | PART NO. | QTY. | DESCRIPTION                          |
|------|----------|------|--------------------------------------|
| 1    | 6010230  | 1    | Shaft Tach Gear, Split               |
| 2    | 6010669  | 2    | Shaft Tach Gear Guard                |
| 3    | 6013166  | 1    | Shaft Tach Guard Spacer 1"           |
| 4    | 2800170  | 1    | Magnetic Sensor w/Jam Nut            |
| 5    | 2900113  | 1    | Lock Washer, 5/8" Split              |
| 6    | 2501752  | 2    | Seal, 1-3/4" V-Ring                  |
| 7    | 2900022  | 8    | Flat Washer, 5/16" SAE               |
| 8    | 2900039  | 2    | Lock Nut, 5/16-18 Nylon              |
| 9    | 2900726  | 2    | Cap Screw, Hex Hd., 5/16-18 x 2-1/2" |
| 10   | 2900031  | 4    | Lock Washer, 5/16" Split             |
| 11   | 2900538  | 4    | Cap Screw, Hex Hd., 5/16-18 x 1-3/4" |

**Belt Drive Assembly #6013177**



## Belt Drive Assembly #6013177

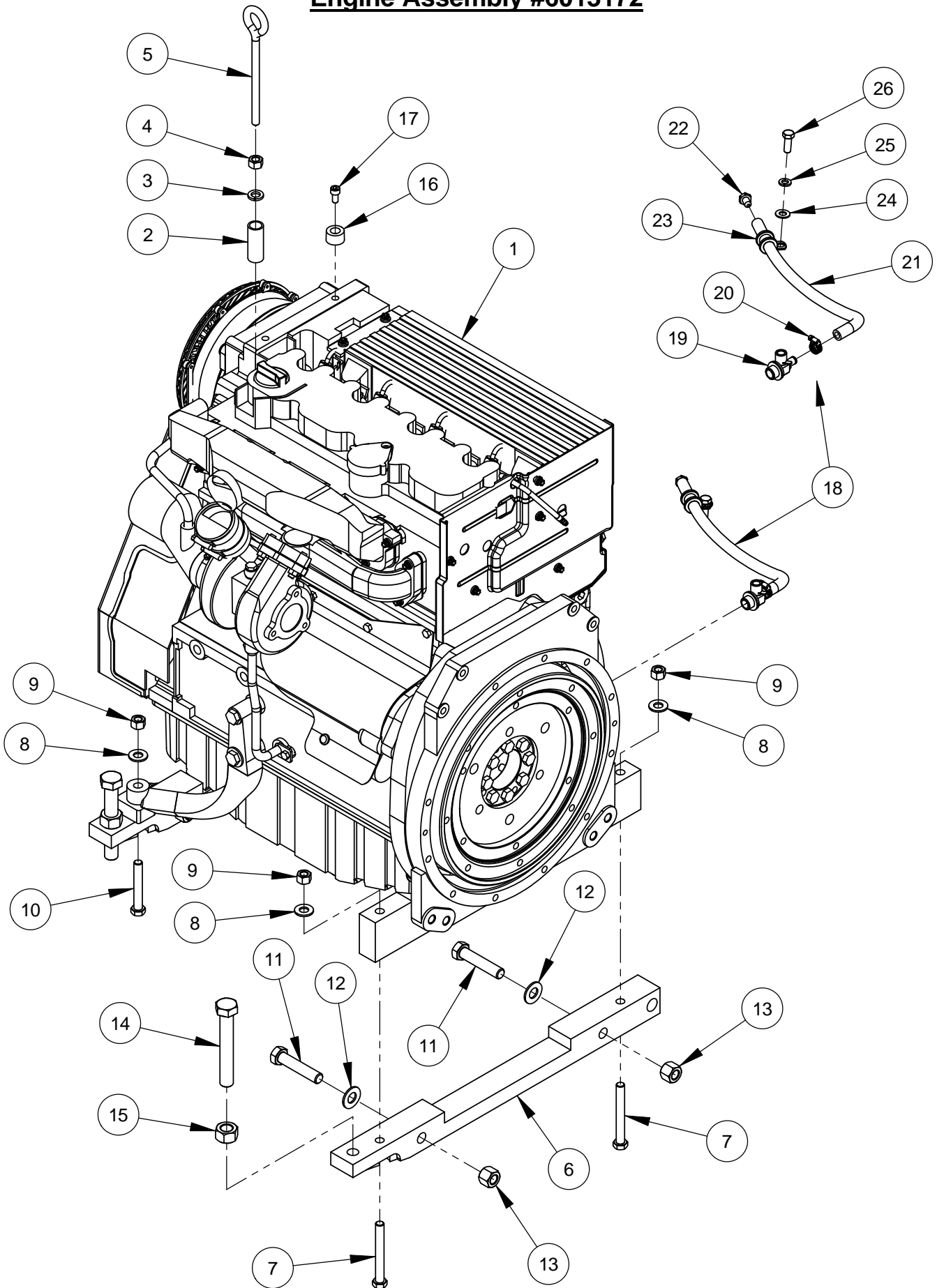
| <b>14" BLADE DRIVE #6013177A</b> |          |      |                                     |
|----------------------------------|----------|------|-------------------------------------|
| ITEM                             | PART NO. | QTY. | DESCRIPTION                         |
| 1                                | 6010658  | 1    | Sheave, 4" x 10 Groove w/Bushing    |
|                                  | 2501380  | 1    | Sheave, 4" x 10 Groove Taper Style  |
|                                  | 2501410  | 1    | Taper Bushing, 1-3/4" w/Setscrews   |
| 2                                | 2503959  | 1    | V-Belt, 3VX500K (Matched Set of 10) |
| 3                                | 2501781  | 1    | V-Belt, AX42                        |
| 4                                | 2501780  | 1    | V-Belt, AX40                        |

| <b>20" &amp; 26" BLADE DRIVE #6013177B</b> |          |      |                                      |
|--|----------|------|--------------------------------------|
| ITEM                                       | PART NO. | QTY. | DESCRIPTION                          |
| 1  | 6010545  | 1    | Sheave, 4.5" x 10 Groove w/Bushing   |
|  | 2501381  | 1    | Sheave, 4.5" x 10 Groove Taper Style |
|  | 2501410  | 1    | Taper Bushing, 1-3/4" w/Setscrews    |
| 2  | 2503959  | 1    | V-Belt, 3VX500K (Matched Set of 10)  |
| 3  | 2501781  | 1    | V-Belt, AX42                         |
| 4  | 2501780  | 1    | V-Belt, AX40                         |

| <b>30" &amp; 36" BLADE DRIVE #6013177C</b> |          |      |                                     |
|--|----------|------|-------------------------------------|
| ITEM                                       | PART NO. | QTY. | DESCRIPTION                         |
| 1  | 6013046  | 1    | Sheave, 6" x 10 Groove w/Bushing    |
|  | 2500439  | 1    | Sheave, 6" x 10 Groove QD Style     |
|  | 2500176  | 1    | QD Bushing, SK x 1-3/4" w/Fasteners |
| 2  | 2503960  | 1    | V-Belt, 3VX530K (Matched Set of 10) |
| 3  | 2501781  | 1    | V-Belt, AX42                        |
| 4  | 2501780  | 1    | V-Belt, AX40                        |

| <b>42" BLADE DRIVE #6013177D</b> |          |      |                                     |
|----------------------------------|----------|------|-------------------------------------|
| ITEM                             | PART NO. | QTY. | DESCRIPTION                         |
| 1                                | 6013154  | 1    | Sheave, 6.5" x 10 Groove w/Bushing  |
|                                  | 2501902  | 1    | Sheave, 6.5" x 10 Groove QD Style   |
|                                  | 2500176  | 1    | QD Bushing, SK x 1-3/4" w/Fasteners |
| 2                                | 2503960  | 1    | V-Belt, 3VX530K (Matched Set of 10) |
| 3                                | 2501781  | 1    | V-Belt, AX42                        |
| 4                                | 2501780  | 1    | V-Belt, AX40                        |

# Engine Assembly #6013172



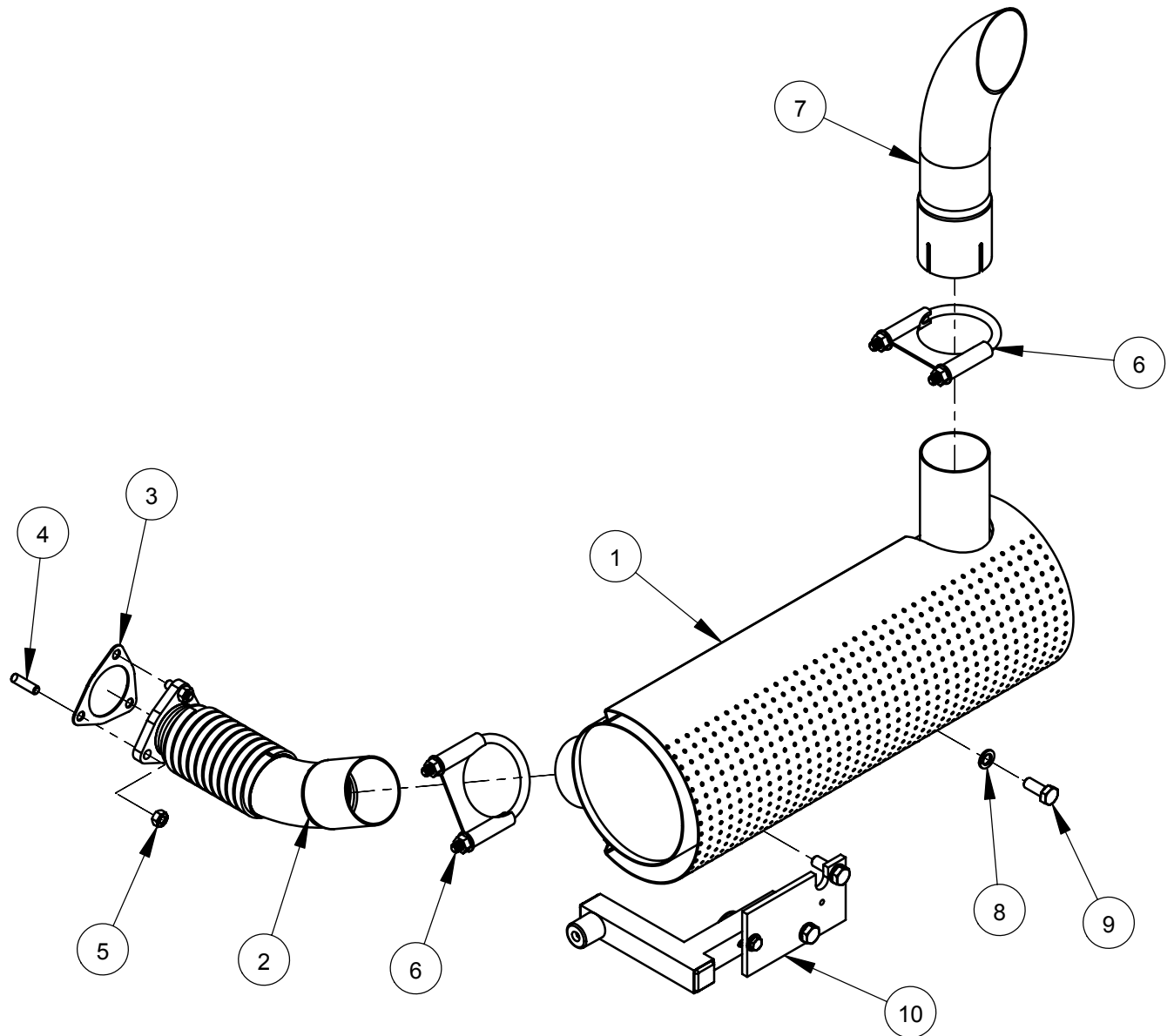


## Engine Assembly #6013172

| ITEM | PART NO. | QTY. | DESCRIPTION                          |
|------|----------|------|--------------------------------------|
| 1    | 2600327  | 1    | Engine, Deutz Model TD2011L04i       |
| 2    | 6090417  | 1    | Spacer, 2-1/4" Long                  |
| 3    | 2900084  | 1    | Lock Washer, 1/2" Split              |
| 4    | 2900482  | 1    | Hex Nut, M12-1.75                    |
| 5    | 2900481  | 1    | Eyebolt, M12 x 6"                    |
| 6    | 6010659  | 2    | Engine Support Leg                   |
| 7    | 2900347  | 2    | Cap Screw, Hex Hd., M12-1.75 x 100mm |
| 8    | 2900058  | 4    | Flat Washer, 1/2" SAE                |
| 9    | 2900327  | 4    | Lock Nut, M12-1.75 Nylon Insert      |
| 10   | 2900346  | 2    | Cap Screw, Hex Hd., M12-1.75 x 80mm  |
| 11   | 2900195  | 4    | Cap Screw, Hex Hd., 5/8-11 x 3"      |
| 12   | 2900002  | 4    | Flat Washer, 5/8" SAE                |
| 13   | 2900135  | 4    | Lock Nut, 5/8-11 Nylon               |
| 14   | 2900475  | 2    | Tap Bolt, Hex Hd., 3/4-10 x 5"       |
| 15   | 2900041  | 2    | Hex Nut, 3/4-10                      |
| 16   | 2503699  | 1    | Bumper, 1" Dia. x 5/8" Thick         |
| 17   | 2900267  | 1    | Cap Screw, Soc. Hd., M8-1.25 x 16mm  |
| 18   | 6013152  | 1    | Oil Drain Valve Assembly             |

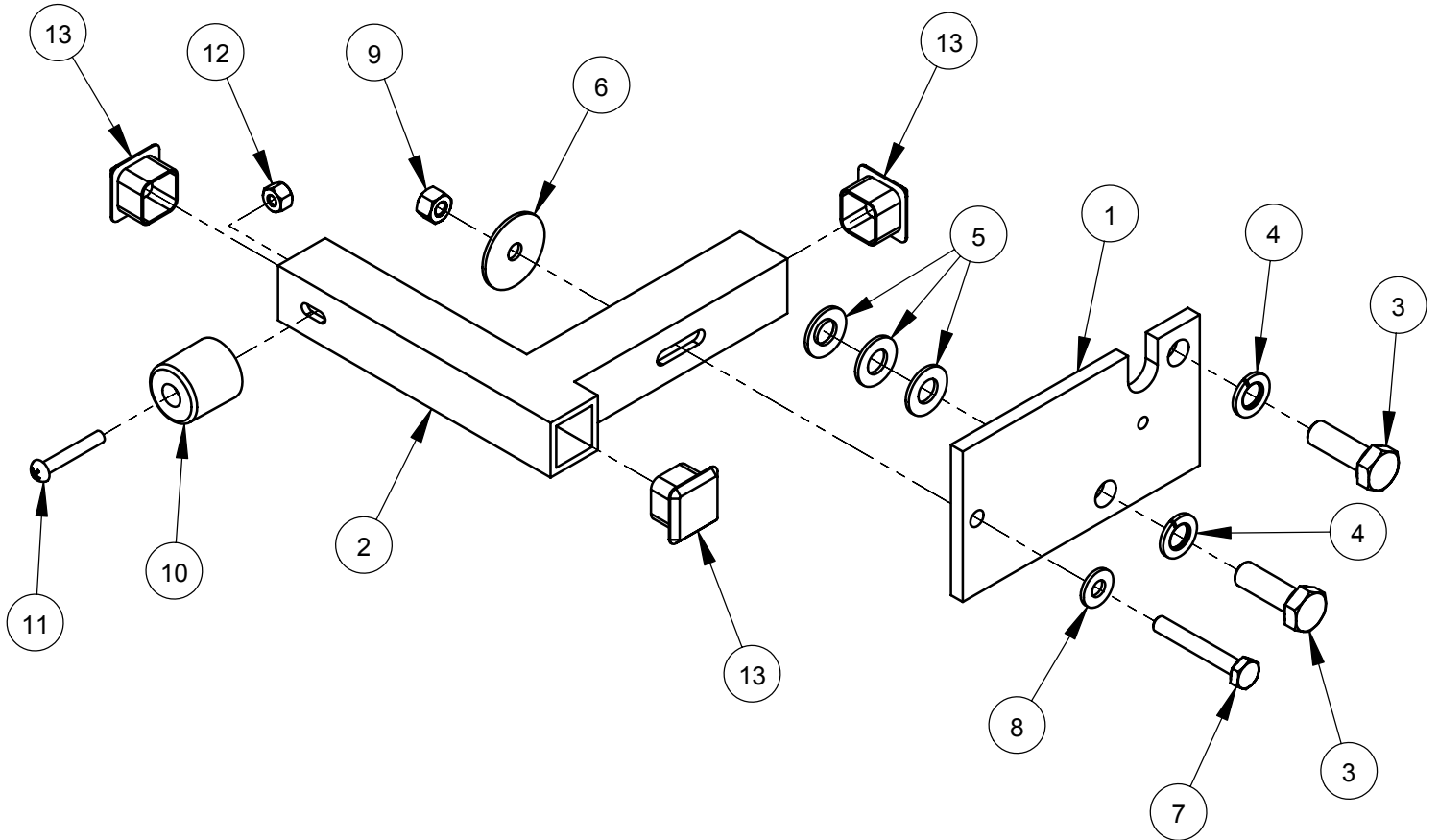
| ITEM | PART NO. | QTY. | DESCRIPTION                     |
|------|----------|------|---------------------------------|
| 19   | 3200814  | 1    | Oil Drain Valve, M18x1.5        |
| 20   | 3200062  | 1    | Hose Clamp #4                   |
| 21   | 6013153  | 1    | Oil Drain Hose, 3/8" I.D. x 20" |
| 22   | 3200741  | 1    | Hose Plug                       |
| 23   | 2501434  | 1    | Hose Clamp, 5/8" x 3/4" Wide    |
| 24   | 2900014  | 1    | Flat Washer, 3/8" SAE           |
| 25   | 2900006  | 1    | Lock Washer, 3/8" Split         |
| 26   | 2900005  | 1    | Cap Screw, Hex Hd., 3/8-16 x 1" |

## Muffler Assembly #6013173



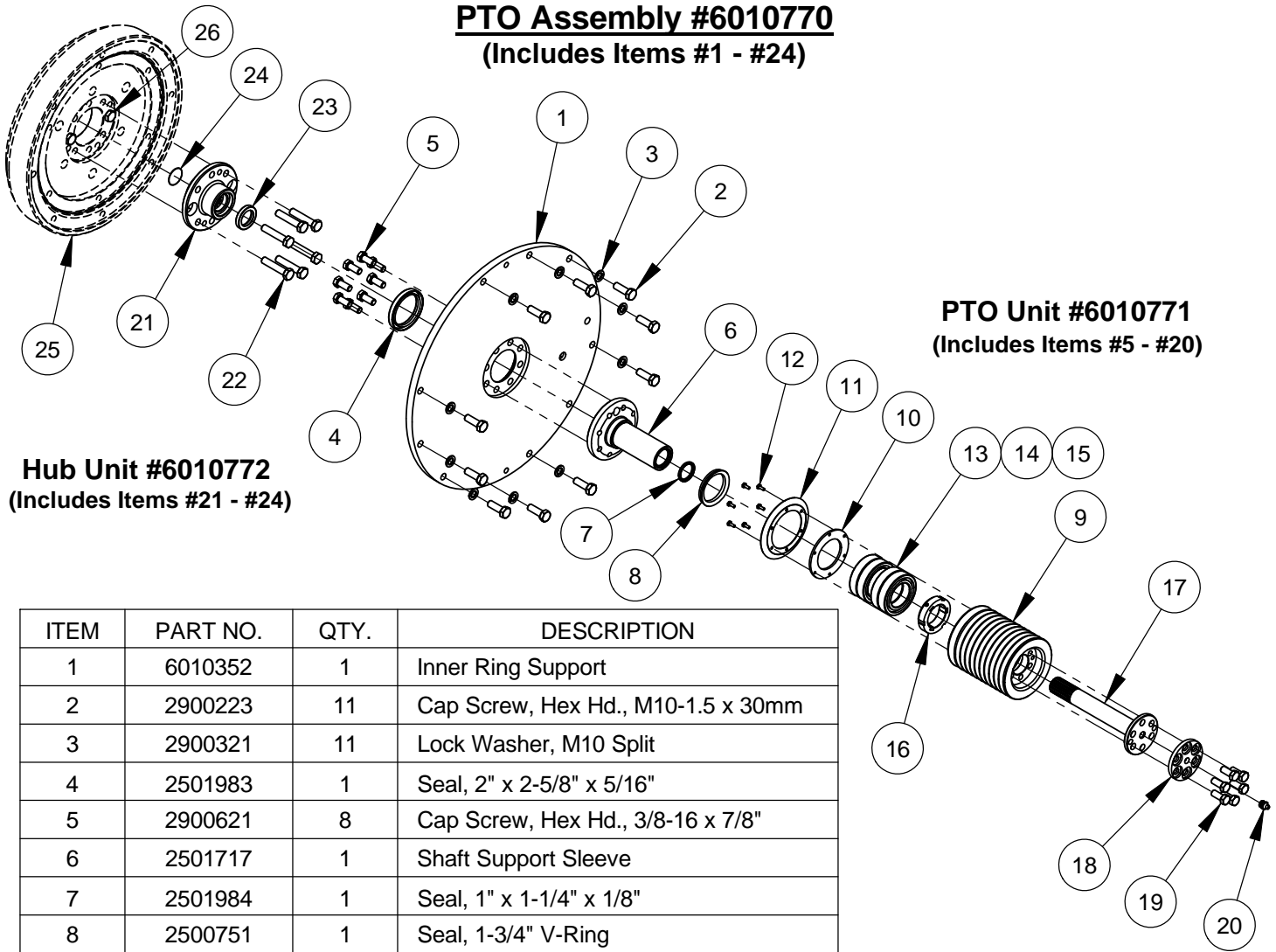
| ITEM | PART NO. | QTY. | DESCRIPTION                    |
|------|----------|------|--------------------------------|
| 1    | 2702785  | 1    | Muffler                        |
| 2    | 2702786  | 1    | Exhaust Pipe                   |
| 3    | 2701618  | 1    | Gasket, Turbo Outlet           |
| 4    | 2702549  | 3    | Stud, M8 x 30mm                |
| 5    | 2900343  | 3    | Hex Nut, M8                    |
| 6    | 2700609  | 2    | Muffler Clamp 2-1/2"           |
| 7    | 2501775  | 1    | Tail Pipe, 2-1/2" I.D. x 12"   |
| 8    | 2900321  | 1    | Lock Washer, M10 Split         |
| 9    | 2900333  | 1    | Cap Screw, Hex Hd., M10 x 25mm |
| 10   | 6013174  | 1    | Pointer Stop Assembly          |

## Pointer Stop Assembly #6013174



| ITEM | PART NO. | QTY. | DESCRIPTION                             |
|------|----------|------|---|
| 1    | 6010688  | 1    | Adapter Plate                           |
| 2    | 6013155  | 1    | Pointer Stop                            |
| 3    | 2900223  | 2    | Cap Screw, Hex Hd., M10 x 30mm          |
| 4    | 2900321  | 2    | Lock Washer, M10 Split                  |
| 5    | 2900014  | 3    | Flat Washer, 3/8" SAE                   |
| 6    | 2900083  | 1    | Fender Washer, 1/4" x 1-1/4"            |
| 7    | 2900392  | 1    | Cap Screw, Hex Hd., 1/4-20 x 1-3/4"     |
| 8    | 2900009  | 1    | Flat Washer, 1/4" SAE                   |
| 9    | 2900010  | 1    | Lock Nut, 1/4-20 Nylon                  |
| 10   | 2501093  | 1    | Bumper, 1"                              |
| 11   | 2900172  | 1    | Machine Screw, Rd. Hd., #10-24 x 1-1/4" |
| 12   | 2900017  | 1    | Lock Nut, #10-24 Nylon                  |
| 13   | 2500573  | 3    | Plug, 1" Square Tube                    |

**PTO Assembly #6010770**  
(Includes Items #1 - #24)

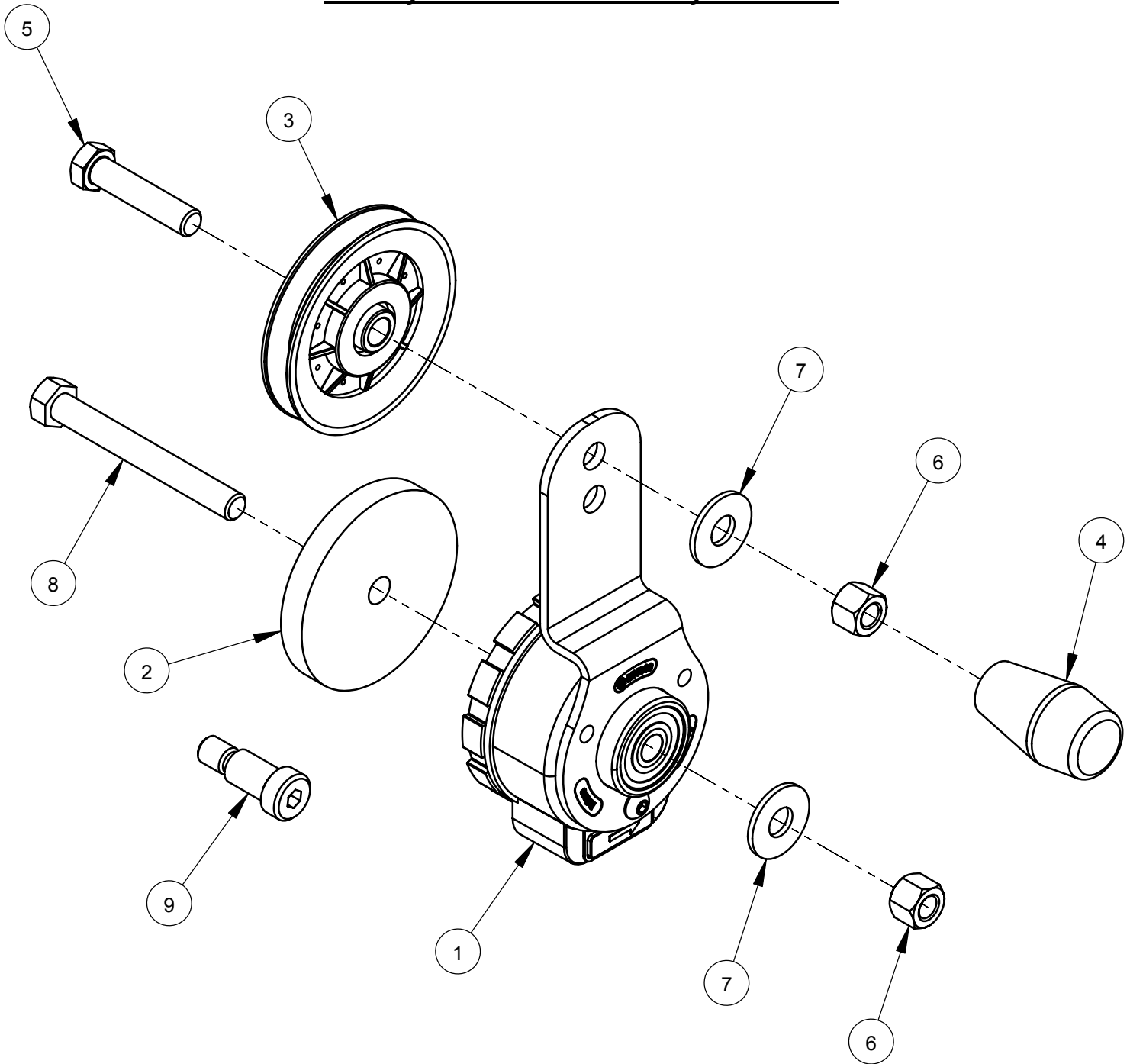


**Hub Unit #6010772**  
(Includes Items #21 - #24)

**PTO Unit #6010771**  
(Includes Items #5 - #20)

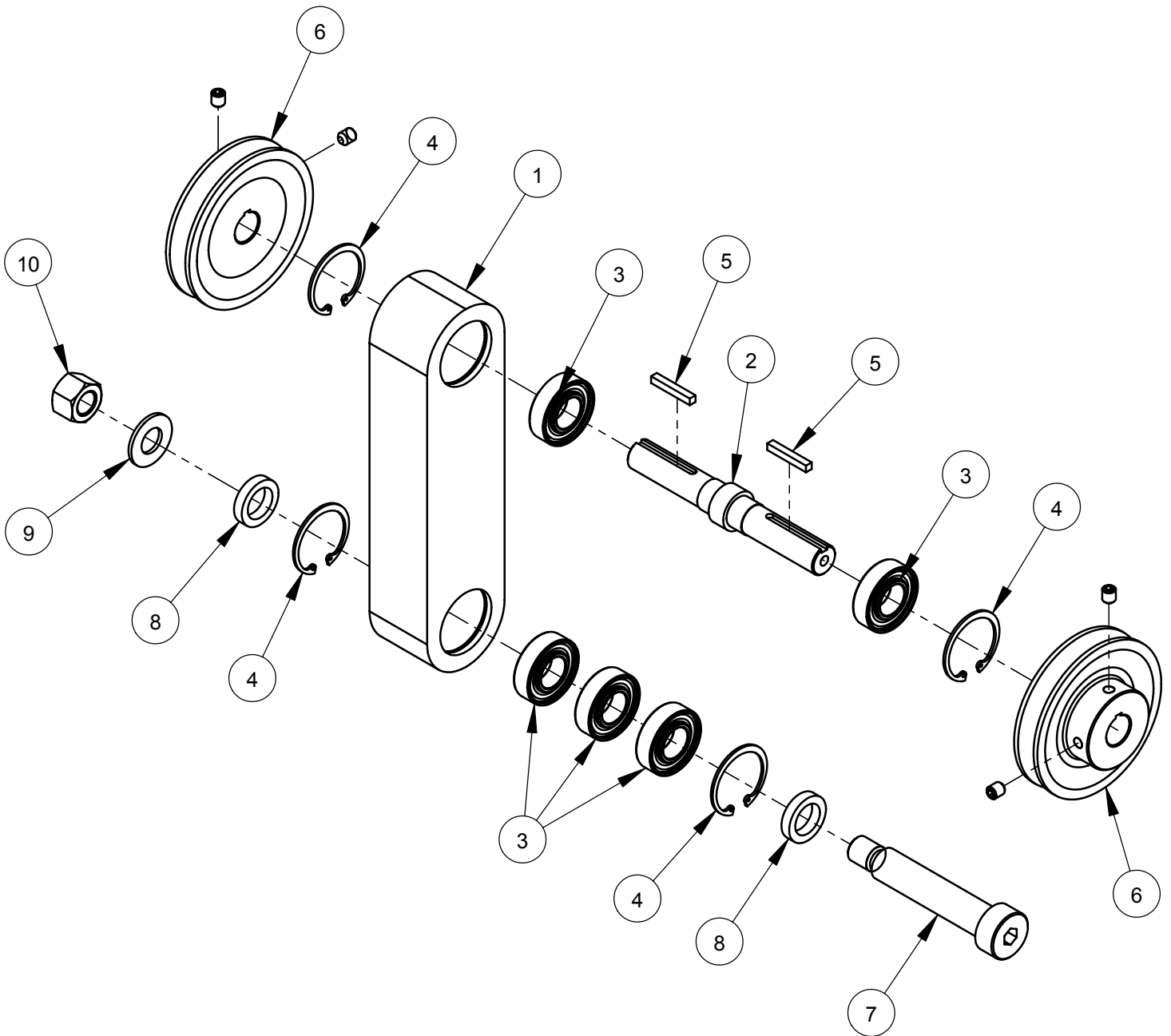
| ITEM | PART NO. | QTY. | DESCRIPTION                          |
|------|----------|------|--------------------------------------|
| 1    | 6010352  | 1    | Inner Ring Support                   |
| 2    | 2900223  | 11   | Cap Screw, Hex Hd., M10-1.5 x 30mm   |
| 3    | 2900321  | 11   | Lock Washer, M10 Split               |
| 4    | 2501983  | 1    | Seal, 2" x 2-5/8" x 5/16"            |
| 5    | 2900621  | 8    | Cap Screw, Hex Hd., 3/8-16 x 7/8"    |
| 6    | 2501717  | 1    | Shaft Support Sleeve                 |
| 7    | 2501984  | 1    | Seal, 1" x 1-1/4" x 1/8"             |
| 8    | 2500751  | 1    | Seal, 1-3/4" V-Ring                  |
| 9    | 2501722  | 1    | Sheave, 4" x 11 Groove               |
| 10   | 2501719  | 1    | Bearing Retainer Plate               |
| 11   | 2501998  | 1    | Grease Slinger Disc                  |
| 12   | 2900624  | 6    | Machine Screw, Hex Hd., #6-32 x 3/8" |
| 13   | 2501986  | 4    | Ball Bearing, 40mm x 68mm x 15mm     |
| 14   | 6046020  | 1    | PTO Bearing Spacer                   |
| 15   | 2501747  | 4    | Shim, 40mm x 50mm x 0.1mm            |
| 16   | 2900654  | 1    | Bearing Lock Nut, 1-9/16"-18         |
| 17   | 2501720  | 1    | Splined Drive Shaft                  |
| 18   | 2501985  | 1    | Grease Disc                          |
| 19   | 2900954  | 6    | Cap Screw, Hex Hd., 3/8-24 x 7/8"    |
| 20   | 2900062  | 1    | Grease Fitting, 1/8" NPT             |
| 21   | 2501721  | 1    | Coupling Hub                         |
| 22   | 2900633  | 6    | Cap Screw, Hex Hd., M10-1.0 x 50mm   |
| 23   | 2501714  | 1    | Seal, 1" x 1-1/2" x 1/4"             |
| 24   | 2501670  | 1    | Hubbard Plug, 1-1/8"                 |
| 25   | 2701276  | 1    | Flywheel, Deutz Engine               |
| 26   | 2702756  | 2    | Cap Screw, Hex Hd., M10-1.0 x 40mm   |

## Rotary Tensioner Assembly #6010694



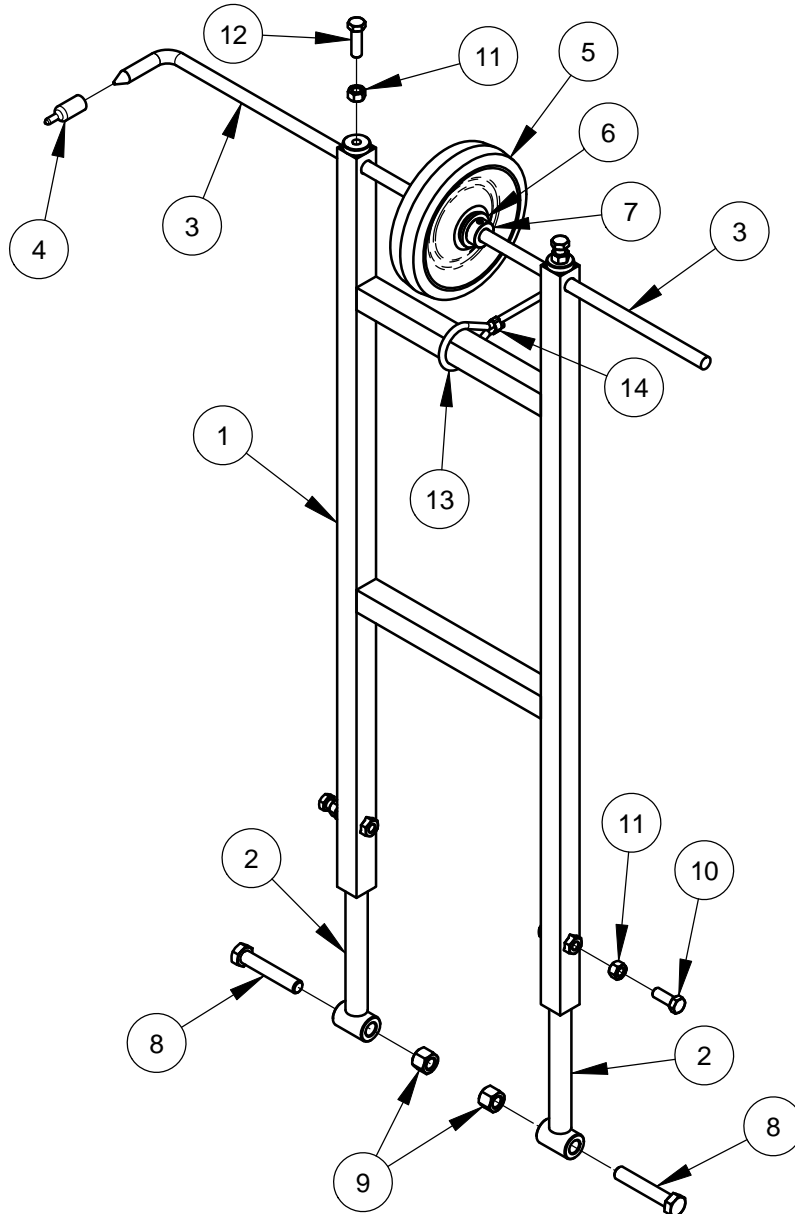
| ITEM | PART NO. | QTY. | DESCRIPTION                         |
|------|----------|------|-------------------------------------|
| 1    | 2501750  | 1    | Rotary Tensioner                    |
| 2    | 6010684  | 1    | Rotary Tensioner Spacer 1/2"        |
| 3    | 2501751  | 1    | Idler Pulley 4"                     |
| 4    | 2501754  | 1    | Knob, 1/2-13 Tapered                |
| 5    | 2900192  | 1    | Cap Screw, Hex Hd., 1/2-13 x 2-1/4" |
| 6    | 2900026  | 2    | Lock Nut, 1/2-13 Nylon              |
| 7    | 2900127  | 2    | Flat Washer, 1/2" USS               |
| 8    | 2900414  | 1    | Cap Screw, Hex Hd., 1/2-13 x 4-1/4" |
| 9    | 2900477  | 1    | Shoulder Screw, 5/8" x 1" (1/2-13)  |

## Transmission Jackshaft Assembly #6010695



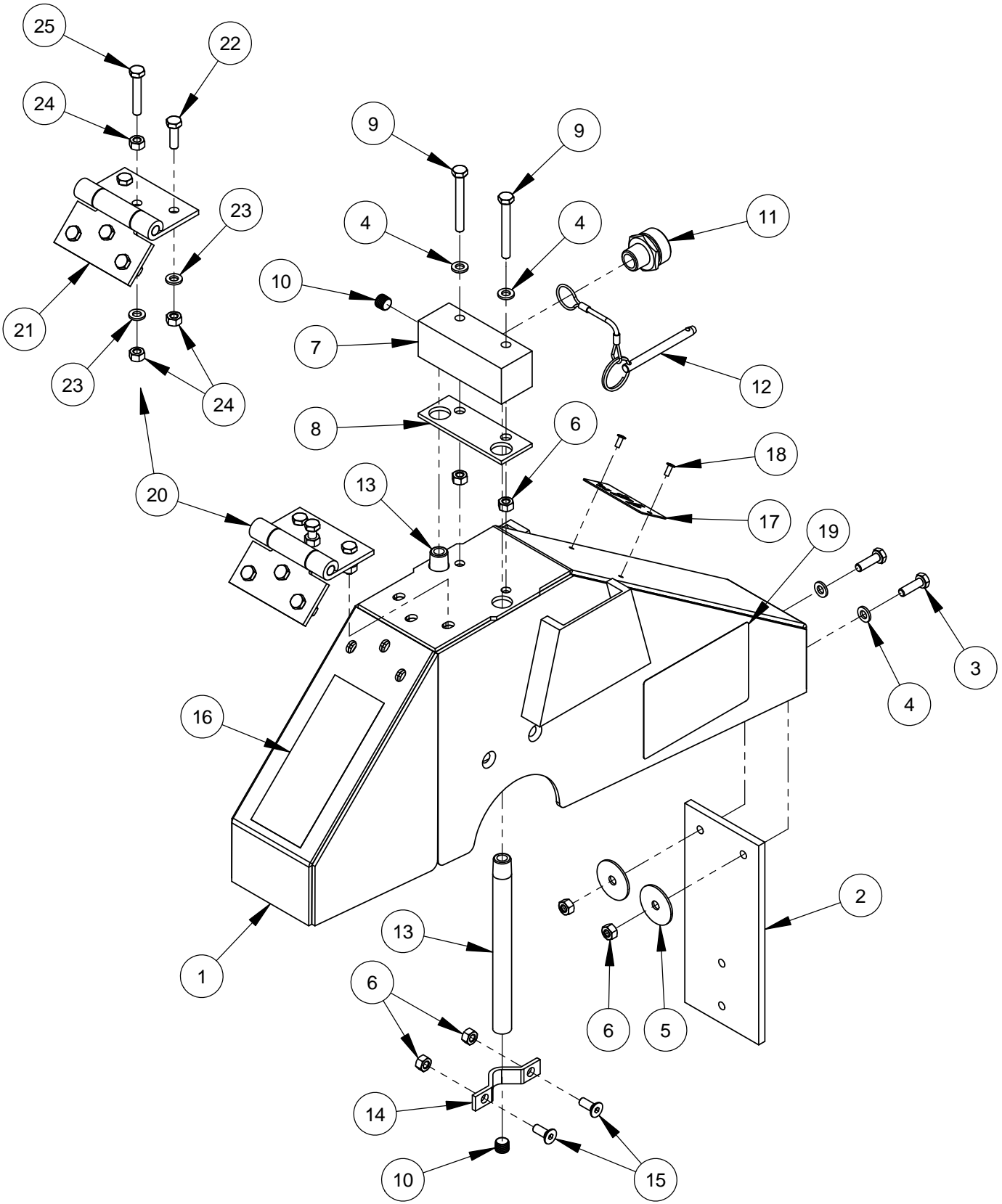
| ITEM | PART NO. | QTY. | DESCRIPTION                          |
|------|----------|------|--------------------------------------|
| 1    | 6010667  | 1    | Jackshaft Pivot Housing              |
| 2    | 6010666  | 1    | Transmission Jackshaft               |
| 3    | 2501743  | 5    | Ball Bearing, 20mm x 42mm x 12mm     |
| 4    | 2501748  | 4    | Retaining Ring, 42mm Internal        |
| 5    | 6048229  | 2    | Key, 3/16" Sq. x 1-1/4"              |
| 6    | 2500455  | 2    | Pulley, 4" Single Groove w/Setscrews |
| 7    | 2900669  | 1    | Shoulder Bolt, 20mm x 90mm (M16)     |
| 8    | 6010685  | 2    | Bearing Spacer, 1/4"                 |
| 9    | 2900002  | 1    | Flat Washer, 5/8" SAE                |
| 10   | 2900670  | 1    | Lock Nut, M16 Nylon                  |

## Front Pointer Assembly #6010540



| ITEM | PART NO. | QTY. | DESCRIPTION                         |
|------|----------|------|-------------------------------------|
| 1    | 6010541  | 1    | Front Pointer Frame                 |
| 2    | 6011152  | 2    | Front Pointer Arm                   |
| 3    | 6013025  | 1    | Front Pointer Rod                   |
| 4    | 2500740  | 1    | Pointer Cap                         |
| 5    | 2501409  | 1    | Wheel, 6"                           |
| 6    | 2900127  | 2    | Flat Washer, 1/2" USS               |
| 7    | 2500007  | 2    | Set Collar, 1/2" with Set Screw     |
| 8    | 2900105  | 2    | Cap Screw, Hex Hd., 1/2-13 x 2-3/4" |
| 9    | 2900026  | 2    | Lock Nut, 1/2-13 Nylon              |
| 10   | 2900005  | 2    | Cap Screw, Hex Hd., 3/8-16 x 1"     |
| 11   | 2900033  | 4    | Hex Nut, 3/8-16                     |
| 12   | 2900013  | 2    | Cap Screw, Hex Hd., 3/8-16 x 1-1/4" |
| 13   | 6017241  | 1    | Pointer Rope 11 Foot                |
| 14   | 3200221  | 2    | Pinch Clamp, Two Ear                |

# 14" Blade Guard Assembly #6010950



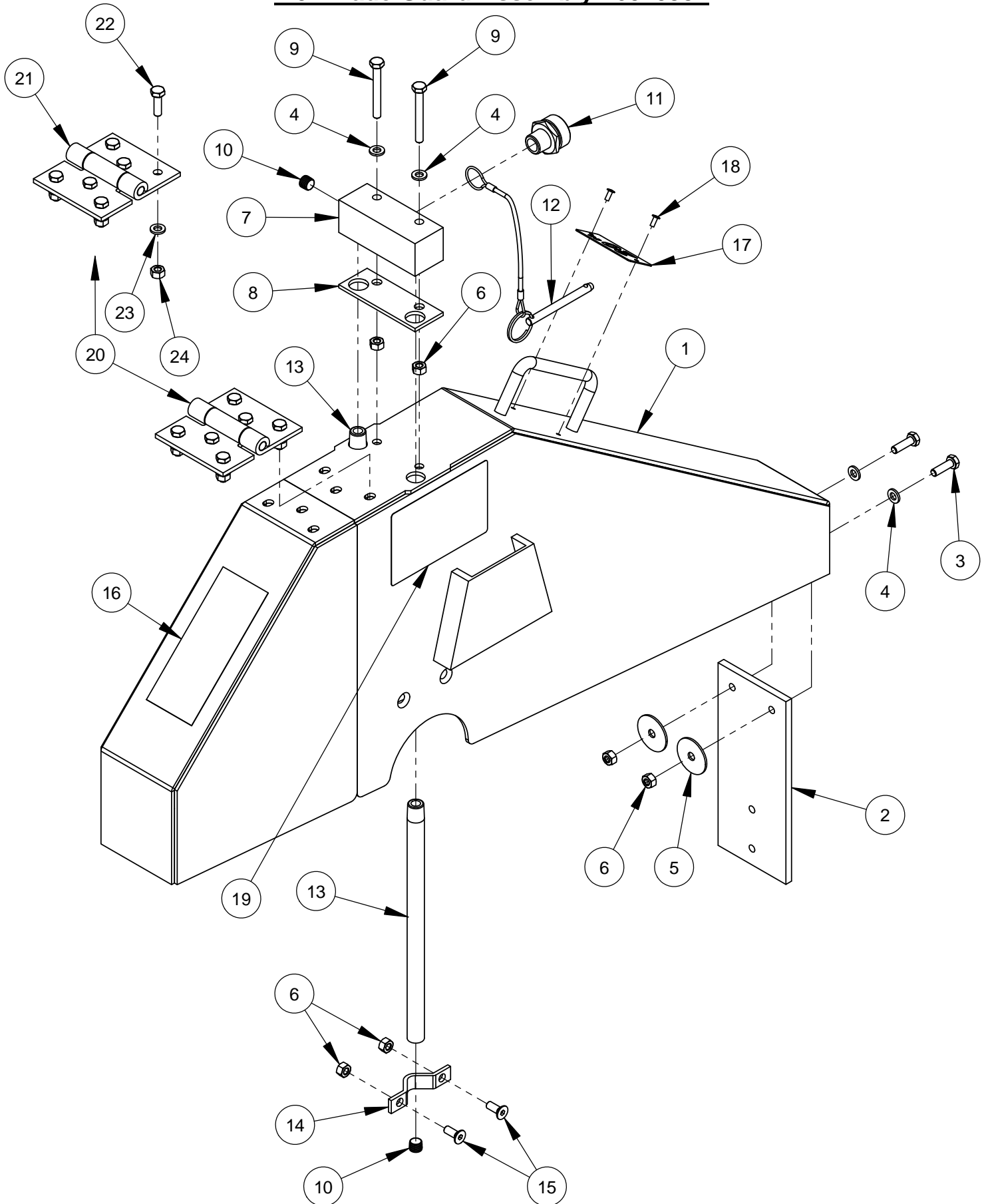


## 14" Blade Guard Assembly #6010950

| ITEM | PART NO. | QTY. | DESCRIPTION                             |
|------|----------|------|---|
| 1    | 6010601  | 1    | 14" Blade Guard Front & Rear Only       |
| 2    | 6010081  | 1    | Splash Flap                             |
| 3    | 2900310  | 2    | Cap Screw, Hex Hd., M6-1.0 x 20mm       |
| 4    | 2901494  | 4    | Flat Washer, M6                         |
| 5    | 2900083  | 2    | Fender Washer, 1/4" x 1-1/4"            |
| 6    | 2900302  | 8    | Lock Nut, M6-1.0 Nylon Insert           |
| 7    | 6010261  | 1    | Water Manifold                          |
| 8    | 2500830  | 1    | Water Manifold Gasket                   |
| 9    | 2901355  | 2    | Cap Screw, Hex Hd., M6-1.0 x 50mm       |
| 10   | 3200001  | 3    | Plug, 1/8" NPT                          |
| 11   | 3200002  | 1    | Fitting, 3/8" M. Pipe to 3/4" M. Garden |
| 12   | 2900278  | 1    | Lanyard with Lock Pin                   |
| 13   | 6048283  | 2    | Water Tube for 14" Guard                |
| 14   | 6048155  | 2    | Water Tube Clamp                        |
| 15   | 2900308  | 4    | Cap Screw, Flat Hd., M6-1.0 x 16mm      |
| 16   | 1800001  | 1    | Warning Label                           |
| 17   | 1801369A | 1    | Blade Guard Size Tag                    |
| 18   | 2900287  | 2    | Rivet, 1/8" Dia.                        |
| 19   | 1802090  | 2    | Label, Wedge Locking Washer             |
| 20   | 6048026  | 1    | Hinge Assembly                          |

| ITEM | PART NO. | QTY. | DESCRIPTION                       |
|------|----------|------|-----------------------------------|
| 21   | 2500270  | 1    | Blade Guard Hinge                 |
| 22   | 2900310  | 5    | Cap Screw, Hex Hd., M6-1.0 x 20mm |
| 23   | 2901494  | 6    | Flat Washer, M6                   |
| 24   | 2900302  | 7    | Lock Nut, M6-1.0 Nylon Insert     |
| 25   | 2900312  | 1    | Cap Screw, Hex Hd., M6-1.0 x 35mm |

# 20" Blade Guard Assembly #6010952

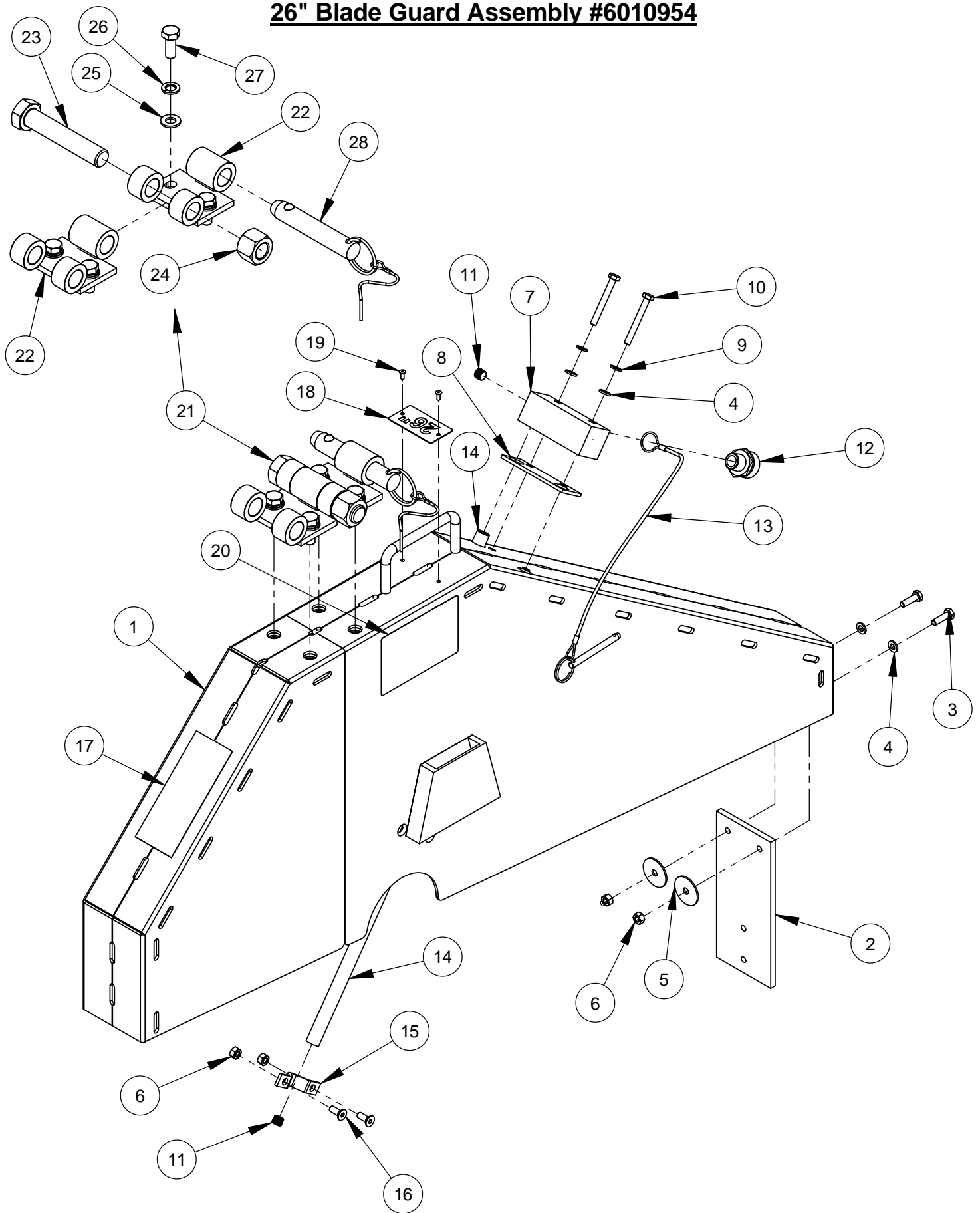


## 20" Blade Guard Assembly #6010952

| ITEM | PART NO. | QTY. | DESCRIPTION                             |
|------|----------|------|---|
| 1    | 6010603  | 1    | 20" Blade Guard Front & Rear Only       |
| 2    | 6010081  | 1    | Splash Flap                             |
| 3    | 2900310  | 2    | Cap Screw, Hex Hd., M6-1.0 x 20mm       |
| 4    | 2901494  | 4    | Flat Washer, M6                         |
| 5    | 2900083  | 2    | Fender Washer, 1/4" x 1-1/4"            |
| 6    | 2900302  | 8    | Lock Nut, M6-1.0 Nylon Insert           |
| 7    | 6010261  | 1    | Water Manifold                          |
| 8    | 2500830  | 1    | Water Manifold Gasket                   |
| 9    | 2901355  | 2    | Cap Screw, Hex Hd., M6-1.0 x 50mm       |
| 10   | 3200001  | 3    | Plug, 1/8" NPT                          |
| 11   | 3200002  | 1    | Fitting, 3/8" M. Pipe to 3/4" M. Garden |
| 12   | 2900278  | 1    | Lanyard with Lock Pin                   |
| 13   | 6010085  | 2    | Water Tube for 20" Guard                |
| 14   | 6048155  | 2    | Water Tube Clamp                        |
| 15   | 2900308  | 4    | Cap Screw, Flat Hd., M6-1.0 x 16mm      |
| 16   | 1800001  | 1    | Warning Label                           |
| 17   | 1801369D | 1    | Blade Guard Size Tag                    |
| 18   | 2900287  | 2    | Rivet, 1/8" Dia.                        |
| 19   | 1802090  | 2    | Label, Wedge Locking Washer             |
| 20   | 6048027  | 1    | Hinge Assembly                          |

| ITEM | PART NO. | QTY. | DESCRIPTION                       |
|------|----------|------|-----------------------------------|
| 21   | 2500270  | 1    | Blade Guard Hinge                 |
| 22   | 2900310  | 6    | Cap Screw, Hex Hd., M6-1.0 x 20mm |
| 23   | 2901494  | 6    | Flat Washer, M6                   |
| 24   | 2900302  | 6    | Lock Nut, M6-1.0 Nylon Insert     |

# 26" Blade Guard Assembly #6010954

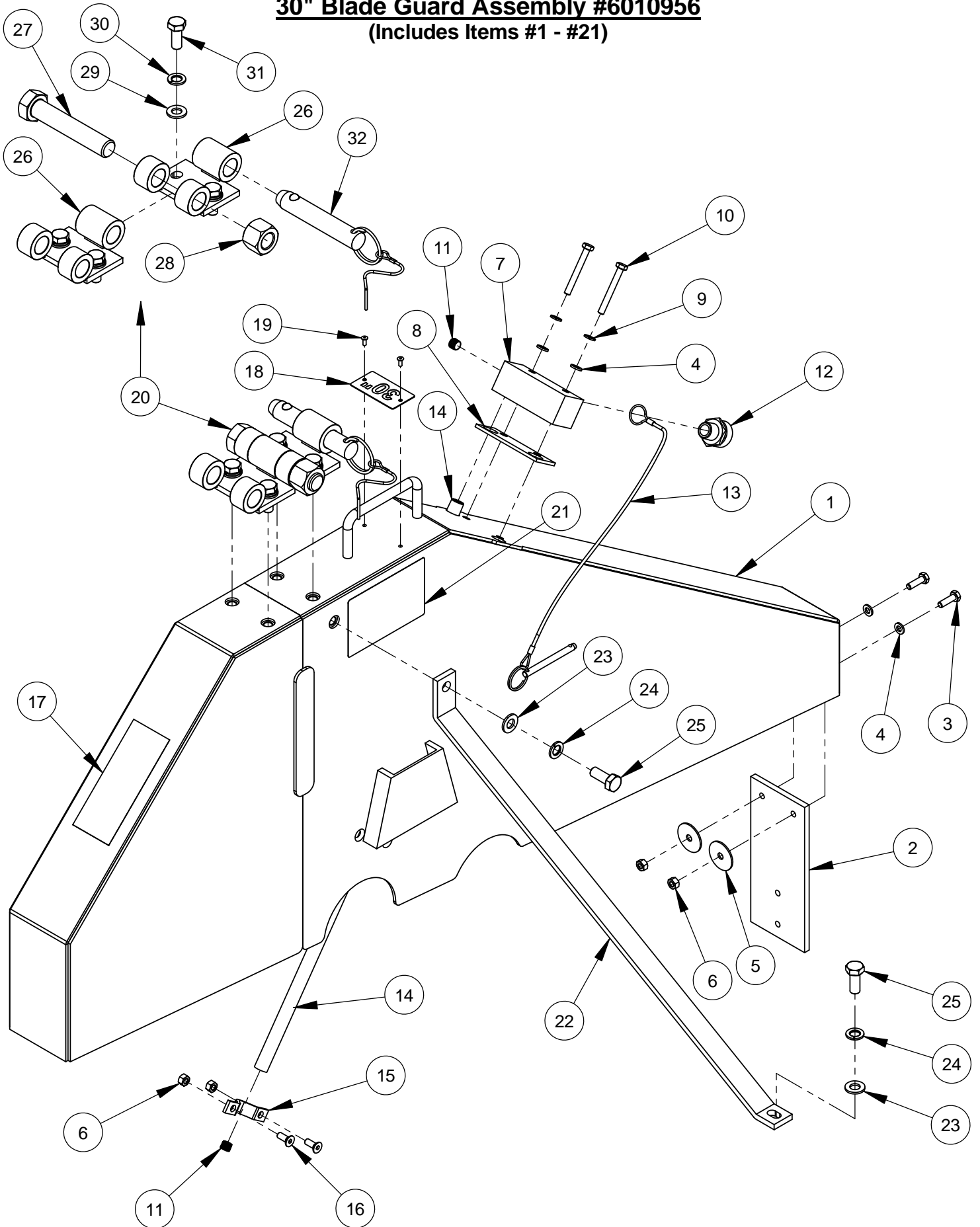


## 26" Blade Guard Assembly #6010954

| ITEM | PART NO. | QTY. | DESCRIPTION                             |
|------|----------|------|---|
| 1    | 6010955  | 1    | 26" Blade Guard Front & Rear Only       |
| 2    | 6010081  | 1    | Splash Flap                             |
| 3    | 2900310  | 2    | Cap Screw, Hex Hd., M6-1.0 x 20mm       |
| 4    | 2901494  | 4    | Flat Washer, M6                         |
| 5    | 2900083  | 2    | Fender Washer, 1/4" x 1-1/4"            |
| 6    | 2900302  | 6    | Lock Nut, M6-1.0 Nylon Insert           |
| 7    | 6010261  | 1    | Water Manifold                          |
| 8    | 2500830  | 1    | Water Manifold Gasket                   |
| 9    | 2900765  | 2    | Lock Washer, M6 Split                   |
| 10   | 2901355  | 2    | Cap Screw, Hex Hd., M6-1.0 x 50mm       |
| 11   | 3200001  | 3    | Plug, 1/8" NPT                          |
| 12   | 3200002  | 1    | Fitting, 3/8" M. Pipe to 3/4" M. Garden |
| 13   | 2900279  | 1    | Lanyard with Lock Pin                   |
| 14   | 6010086  | 2    | Water Tube for 26" Guard                |
| 15   | 6048155  | 2    | Water Tube Clamp                        |
| 16   | 2900308  | 4    | Cap Screw, Flat Hd., M6-1.0 x 16mm      |
| 17   | 1800001  | 1    | Warning Label                           |
| 18   | 1801369F | 1    | Blade Guard Size Tag                    |
| 19   | 2900287  | 2    | Rivet, 1/8" Dia.                        |
| 20   | 1802090  | 2    | Label, Wedge Locking Washer             |
| 21   | 6010873  | 1    | Universal Hinge Assembly                |

| ITEM | PART NO. | QTY | DESCRIPTION                        |
|------|----------|-----|------------------------------------|
| 22   | 6010871  | 2   | Hinge Weldment, Universal          |
| 23   | 2900479  | 1   | Cap Screw, Hex Hd., 3/4-10 x 4"    |
| 24   | 2900467  | 1   | Lock Nut, 3/4-10 Nylon             |
| 25   | 2901356  | 4   | Flat Washer, M10                   |
| 26   | 2900321  | 4   | Lock Washer, M10 Split             |
| 27   | 2900333  | 4   | Cap Screw, Hex Hd., M10-1.5 x 25mm |
| 28   | 2503824  | 1   | Detent Pin, 3/4" x 3" Grip         |

**30" Blade Guard Assembly #6010956**  
(Includes Items #1 - #21)

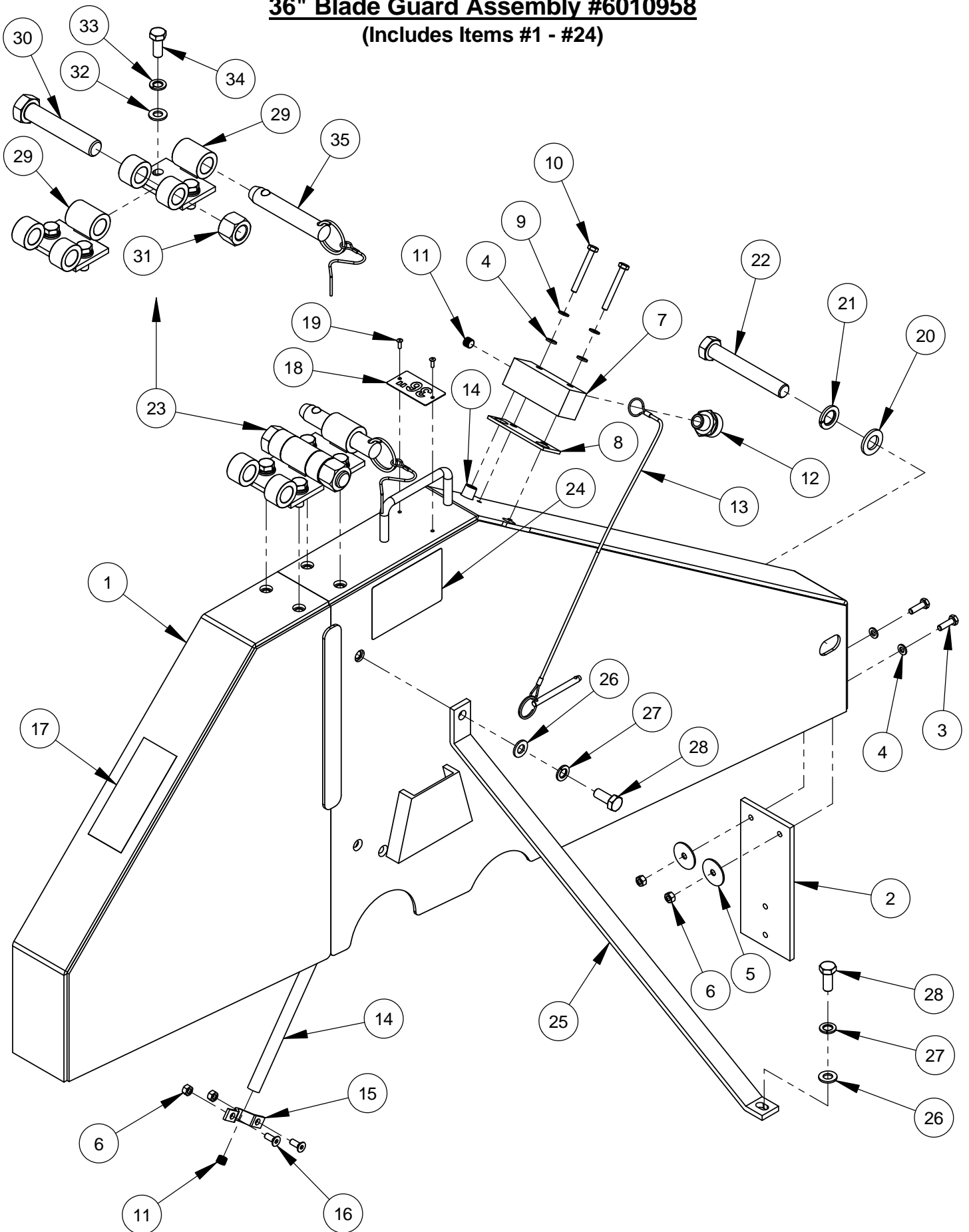


**30" Blade Guard Assembly #6010956**  
**(Includes Items #1 - #21)**

| ITEM | PART NO. | QTY. | DESCRIPTION                             |
|------|----------|------|---|
| 1    | 6010957  | 1    | 30" Blade Guard Front & Rear Only       |
| 2    | 6010081  | 1    | Splash Flap                             |
| 3    | 2900310  | 2    | Cap Screw, Hex Hd., M6-1.0 x 20mm       |
| 4    | 2901494  | 4    | Flat Washer, M6                         |
| 5    | 2900083  | 2    | Fender Washer, 1/4" x 1-1/4"            |
| 6    | 2900302  | 6    | Lock Nut, M6-1.0 Nylon Insert           |
| 7    | 6010261  | 1    | Water Manifold                          |
| 8    | 2500830  | 1    | Water Manifold Gasket                   |
| 9    | 2900765  | 2    | Lock Washer, M6 Split                   |
| 10   | 2901355  | 2    | Cap Screw, Hex Hd., M6-1.0 x 50mm       |
| 11   | 3200001  | 3    | Plug, 1/8" NPT                          |
| 12   | 3200002  | 1    | Fitting, 3/8" M. Pipe to 3/4" M. Garden |
| 13   | 2900279  | 1    | Lanyard with Lock Pin                   |
| 14   | 6010087  | 2    | Water Tube for 30" Guard                |
| 15   | 6048155  | 2    | Water Tube Clamp                        |
| 16   | 2900308  | 4    | Cap Screw, Flat Hd., M6-1.0 x 16mm      |
| 17   | 1800001  | 1    | Warning Label                           |
| 18   | 1801369G | 1    | Blade Guard Size Tag                    |
| 19   | 2900287  | 2    | Rivet, 1/8" Dia.                        |
| 20   | 6010873  | 1    | Universal Hinge Assembly                |
| 21   | 1802090  | 2    | Label, Wedge Locking Washer             |
| 22   | 6013072  | 1    | Blade Guard Brace                       |
| 23   | 2901356  | 2    | Flat Washer, M10                        |
| 24   | 2900321  | 2    | Lock Washer, M10 Split                  |
| 25   | 2900333  | 2    | Cap Screw, Hex Hd., M10-1.5 x 25mm      |

| ITEM | PART NO. | QTY | DESCRIPTION                        |
|------|----------|-----|------------------------------------|
| 26   | 6010871  | 2   | Hinge Weldment, Universal          |
| 27   | 2900479  | 1   | Cap Screw, Hex Hd., 3/4-10 x 4"    |
| 28   | 2900467  | 1   | Lock Nut, 3/4-10 Nylon             |
| 29   | 2901356  | 4   | Flat Washer, M10                   |
| 30   | 2900321  | 4   | Lock Washer, M10 Split             |
| 31   | 2900333  | 4   | Cap Screw, Hex Hd., M10-1.5 x 25mm |
| 32   | 2503824  | 1   | Detent Pin, 3/4" x 3" Grip         |

**36" Blade Guard Assembly #6010958**  
(Includes Items #1 - #24)



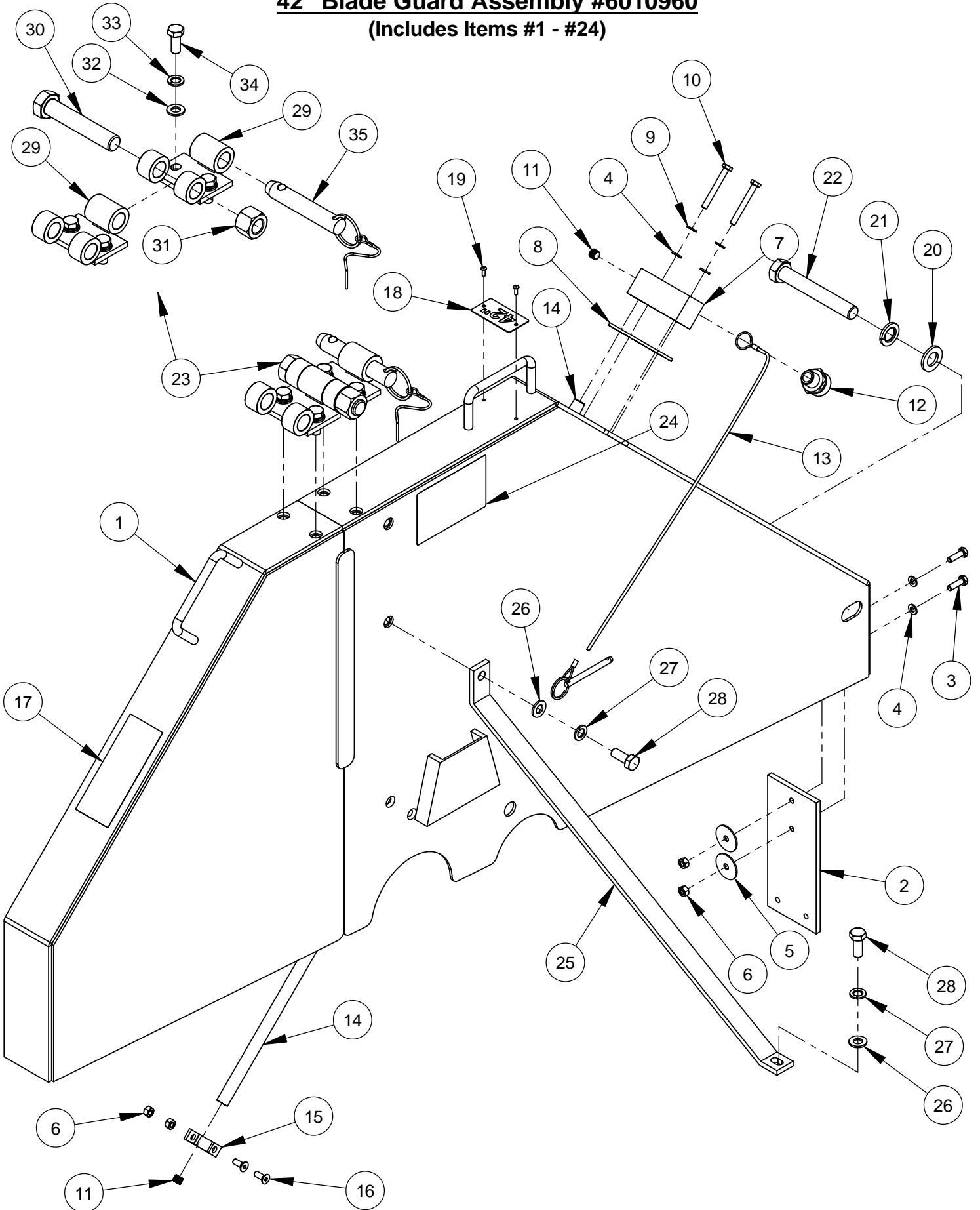


**36" Blade Guard Assembly #6010958**  
**(Includes Items #1 - #24)**

| ITEM | PART NO. | QTY. | DESCRIPTION                             |
|------|----------|------|---|
| 1    | 6010959  | 1    | 36" Blade Guard Front & Rear Only       |
| 2    | 6010081  | 1    | Splash Flap                             |
| 3    | 2900310  | 2    | Cap Screw, Hex Hd., M6-1.0 x 20mm       |
| 4    | 2901494  | 4    | Flat Washer, M6                         |
| 5    | 2900083  | 2    | Fender Washer, 1/4" x 1-1/4"            |
| 6    | 2900302  | 6    | Lock Nut, M6-1.0 Nylon Insert           |
| 7    | 6010261  | 1    | Water Manifold                          |
| 8    | 2500830  | 1    | Water Manifold Gasket                   |
| 9    | 2900765  | 2    | Lock Washer, M6 Split                   |
| 10   | 2901355  | 2    | Cap Screw, Hex Hd., M6-1.0 x 50mm       |
| 11   | 3200001  | 3    | Plug, 1/8" NPT                          |
| 12   | 3200002  | 1    | Fitting, 3/8" M. Pipe to 3/4" M. Garden |
| 13   | 2900280  | 1    | Lanyard with Lock Pin                   |
| 14   | 6010088  | 2    | Water Tube for 36" Guard                |
| 15   | 6048155  | 2    | Water Tube Clamp                        |
| 16   | 2900308  | 4    | Cap Screw, Flat Hd., M6-1.0 x 16mm      |
| 17   | 1800001  | 1    | Warning Label                           |
| 18   | 1801369H | 1    | Blade Guard Size Tag                    |
| 19   | 2900639  | 2    | Rivet, 1/8" Dia.                        |
| 20   | 2901358  | 1    | Flat Washer, M16                        |
| 21   | 2900716  | 1    | Lock Washer, M16 Split                  |
| 22   | 2901349  | 1    | Cap Screw, Hex Hd., M16-2.0 x 110mm     |
| 23   | 6010873  | 1    | Universal Hinge Assembly                |
| 24   | 1802090  | 2    | Label, Wedge Locking Washer             |
| 25   | 6013072  | 1    | Blade Guard Brace                       |
| 26   | 2901356  | 2    | Flat Washer, M10                        |
| 27   | 2900321  | 2    | Lock Washer, M10 Split                  |
| 28   | 2900333  | 2    | Cap Screw, Hex Hd., M10-1.5 x 25mm      |

| ITEM | PART NO. | QTY | DESCRIPTION                        |
|------|----------|-----|------------------------------------|
| 29   | 6010871  | 2   | Hinge Weldment, Universal          |
| 30   | 2900479  | 1   | Cap Screw, Hex Hd., 3/4-10 x 4"    |
| 31   | 2900467  | 1   | Lock Nut, 3/4-10 Nylon             |
| 32   | 2901356  | 4   | Flat Washer, M10                   |
| 33   | 2900321  | 4   | Lock Washer, M10 Split             |
| 34   | 2900333  | 4   | Cap Screw, Hex Hd., M10-1.5 x 25mm |
| 35   | 2503824  | 1   | Detent Pin, 3/4" x 3" Grip         |

**42" Blade Guard Assembly #6010960**  
(Includes Items #1 - #24)

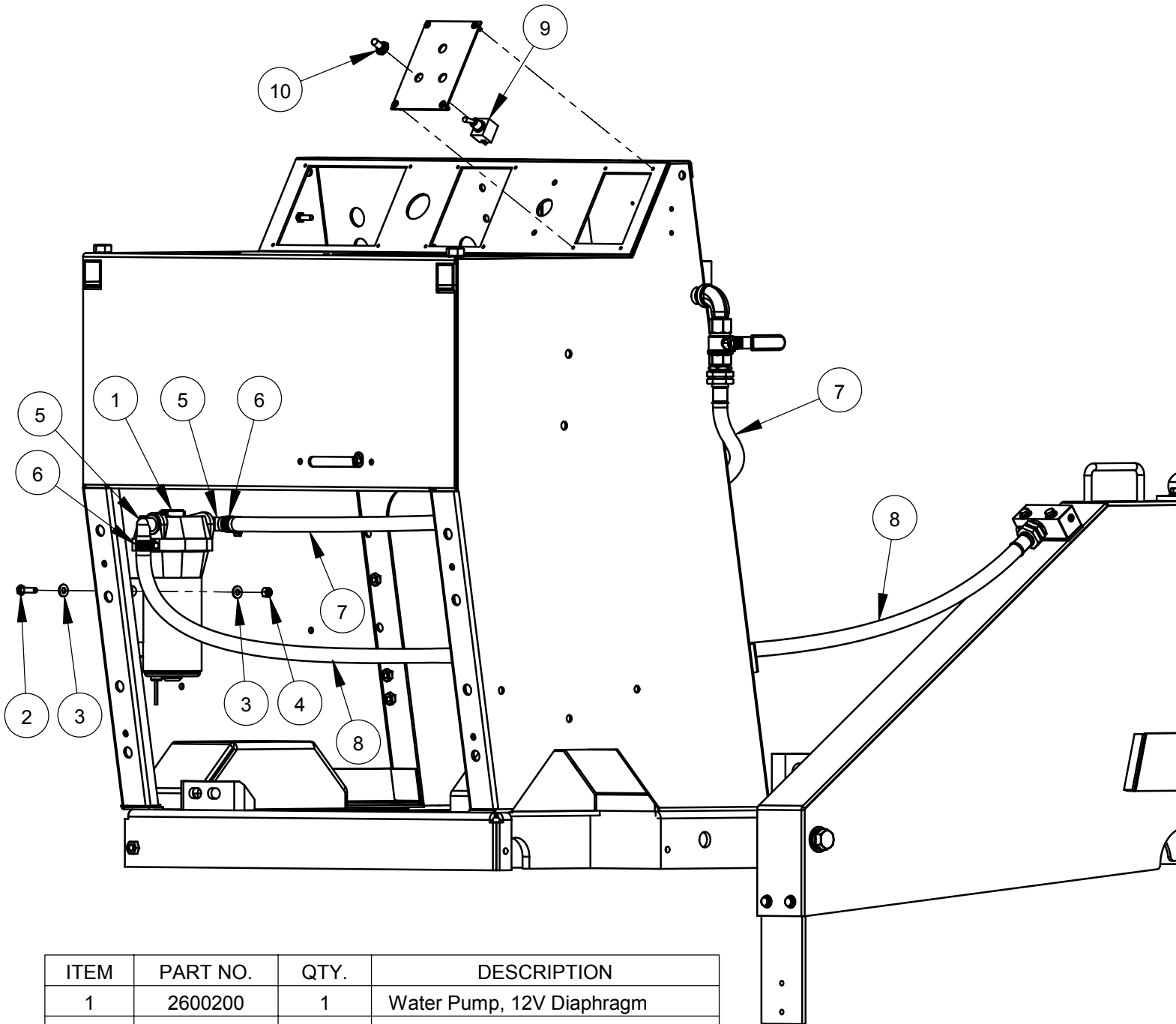


**42" Blade Guard Assembly #6010960**  
**(Includes Items #1 - #24)**

| ITEM | PART NO. | QTY. | DESCRIPTION                             |
|------|----------|------|---|
| 1    | 6010961  | 1    | 42" Blade Guard Front & Rear Only       |
| 2    | 6010081  | 1    | Splash Flap                             |
| 3    | 2900310  | 2    | Cap Screw, Hex Hd., M6-1.0 x 20mm       |
| 4    | 2901494  | 4    | Flat Washer, M6                         |
| 5    | 2900083  | 2    | Fender Washer, 1/4" x 1-1/4"            |
| 6    | 2900302  | 6    | Lock Nut, M6-1.0 Nylon Insert           |
| 7    | 6048123  | 1    | Water Manifold                          |
| 8    | 2500829  | 1    | Water Manifold Gasket                   |
| 9    | 2900765  | 2    | Lock Washer, M6 Split                   |
| 10   | 2901355  | 2    | Cap Screw, Hex Hd., M6-1.0 x 50mm       |
| 11   | 3200001  | 3    | Plug, 1/8" NPT                          |
| 12   | 3200002  | 1    | Fitting, 3/8" M. Pipe to 3/4" M. Garden |
| 13   | 2900280  | 1    | Lanyard with Lock Pin                   |
| 14   | 6010114  | 2    | Water Tube for 42" Guard                |
| 15   | 6048155  | 2    | Water Tube Clamp                        |
| 16   | 2900308  | 4    | Cap Screw, Flat Hd., M6-1.0 x 16mm      |
| 17   | 1800001  | 1    | Warning Label                           |
| 18   | 1801369I | 1    | Blade Guard Size Tag                    |
| 19   | 2900639  | 2    | Rivet, 1/8" Dia.                        |
| 20   | 2901358  | 1    | Flat Washer, M16                        |
| 21   | 2900716  | 1    | Lock Washer, M16 Split                  |
| 22   | 2901349  | 1    | Cap Screw, Hex Hd., M16-2.0 x 110mm     |
| 23   | 6010873  | 1    | Universal Hinge Assembly                |
| 24   | 1802090  | 2    | Label, Wedge Locking Washer             |
| 25   | 6013072  | 1    | Blade Guard Brace                       |
| 26   | 2901356  | 2    | Flat Washer, M10                        |
| 27   | 2900321  | 2    | Lock Washer, M10 Split                  |
| 28   | 2900333  | 2    | Cap Screw, Hex Hd., M10-1.5 x 25mm      |

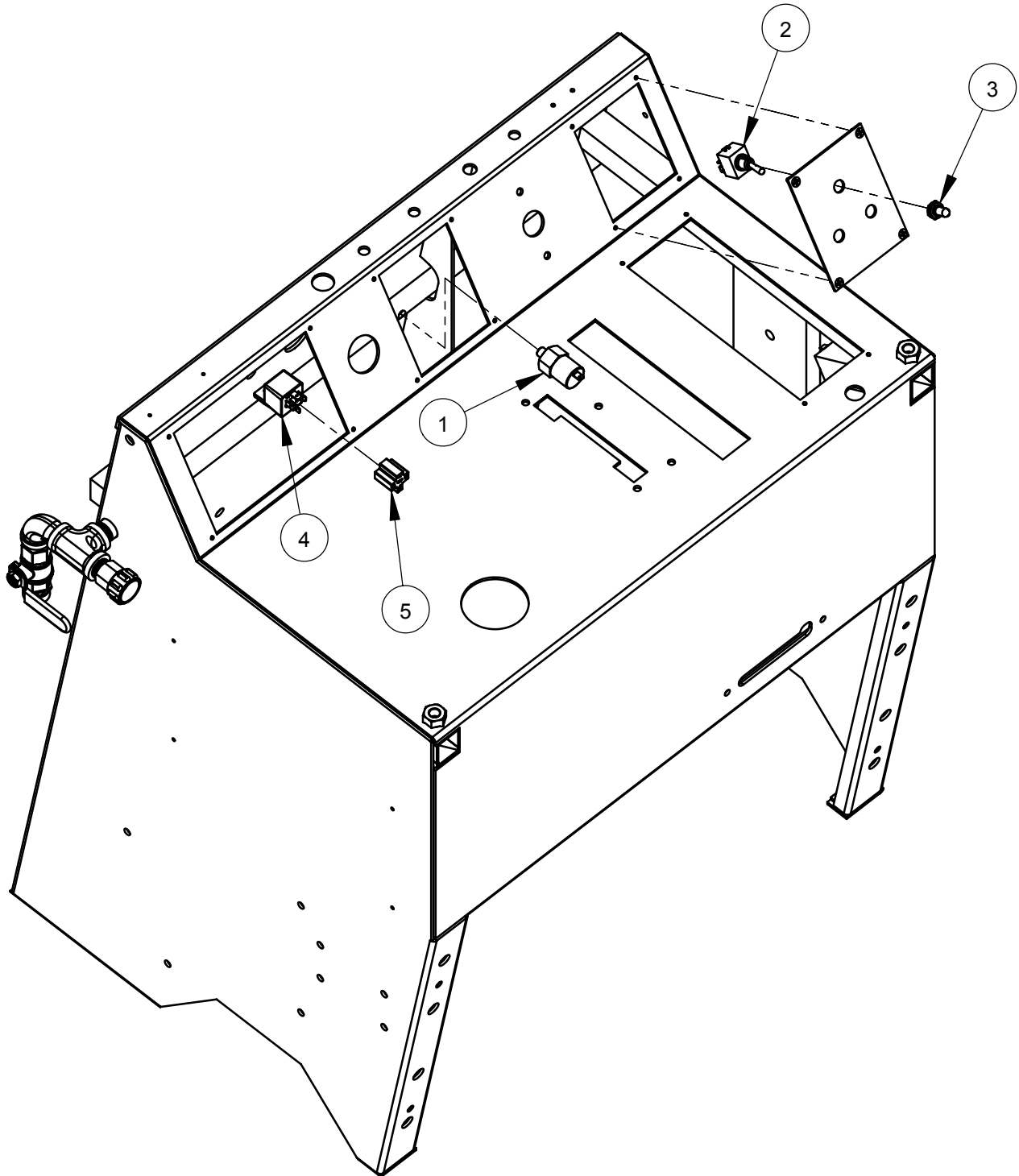
| ITEM | PART NO. | QTY | DESCRIPTION                        |
|------|----------|-----|------------------------------------|
| 29   | 6010871  | 2   | Hinge Weldment, Universal          |
| 30   | 2900479  | 1   | Cap Screw, Hex Hd., 3/4-10 x 4"    |
| 31   | 2900467  | 1   | Lock Nut, 3/4-10 Nylon             |
| 32   | 2901356  | 4   | Flat Washer, M10                   |
| 33   | 2900321  | 4   | Lock Washer, M10 Split             |
| 34   | 2900333  | 4   | Cap Screw, Hex Hd., M10-1.5 x 25mm |
| 35   | 2503824  | 1   | Detent Pin, 3/4" x 3" Grip         |

## Optional Water Pump Assembly #6011032



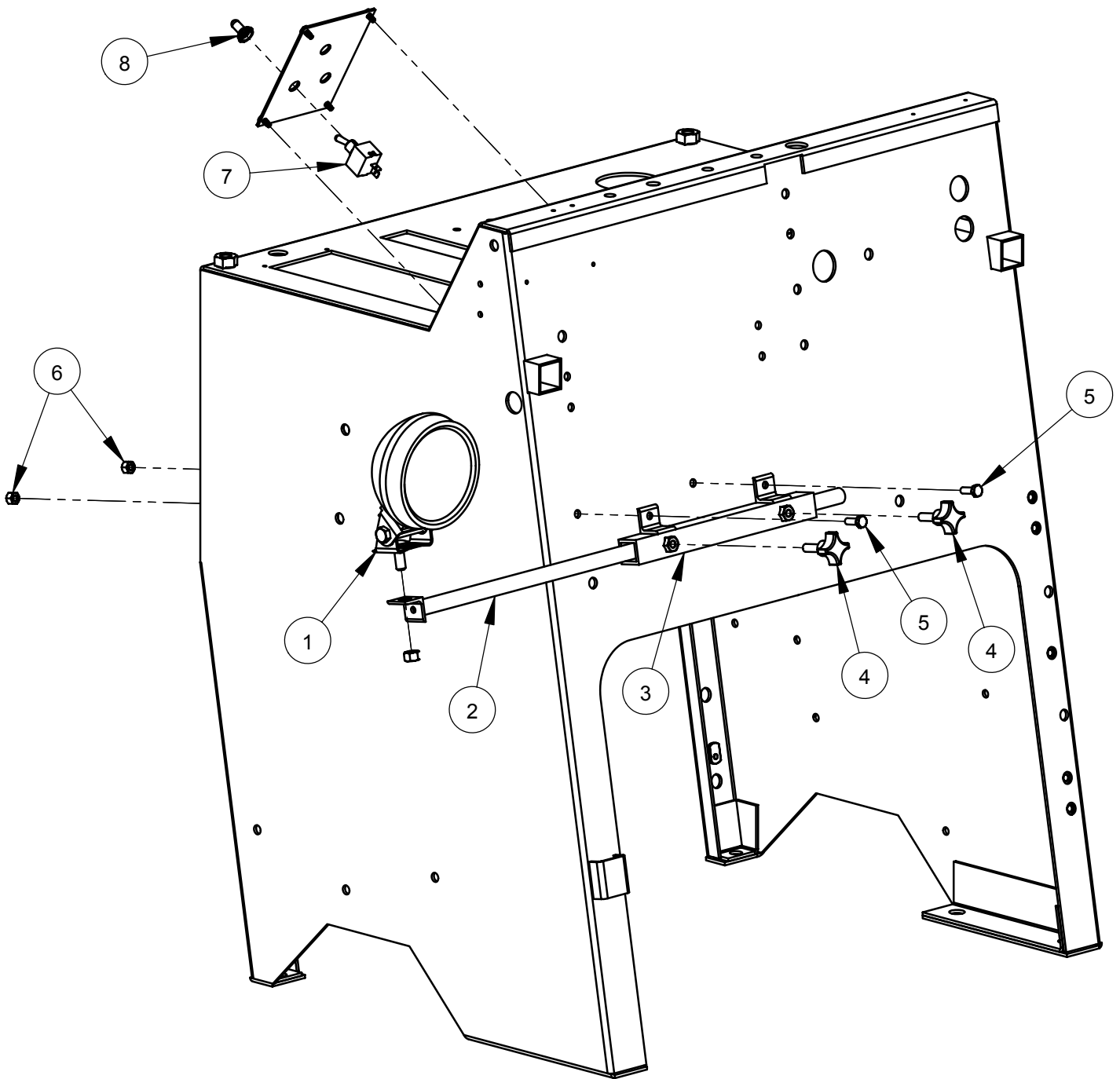
| ITEM | PART NO. | QTY. | DESCRIPTION                         |
|------|----------|------|-------------------------------------|
| 1    | 2600200  | 1    | Water Pump, 12V Diaphragm           |
| 2    | 2900008  | 4    | Cap Screw, Hex Hd., 1/4-20 x 1"     |
| 3    | 2900009  | 8    | Flat Washer, 1/4" SAE               |
| 4    | 2900010  | 4    | Lock Nut, 1/4-20 Nylon              |
| 5    | 2701694  | 2    | Port Fitting, 1/2" Barb x 90 Degree |
| 6    | 3200016  | 2    | Hose Clamp #8                       |
| 7    | 6010302  | 1    | Hose Assembly, 4 Foot               |
| 8    | 6010303  | 1    | Hose Assembly, 5 Foot               |
| 9    | 2800062  | 1    | Toggle Switch                       |
| 10   | 2800063  | 1    | Switch Boot                         |

## Optional Water Safety Switch Assembly #6010522



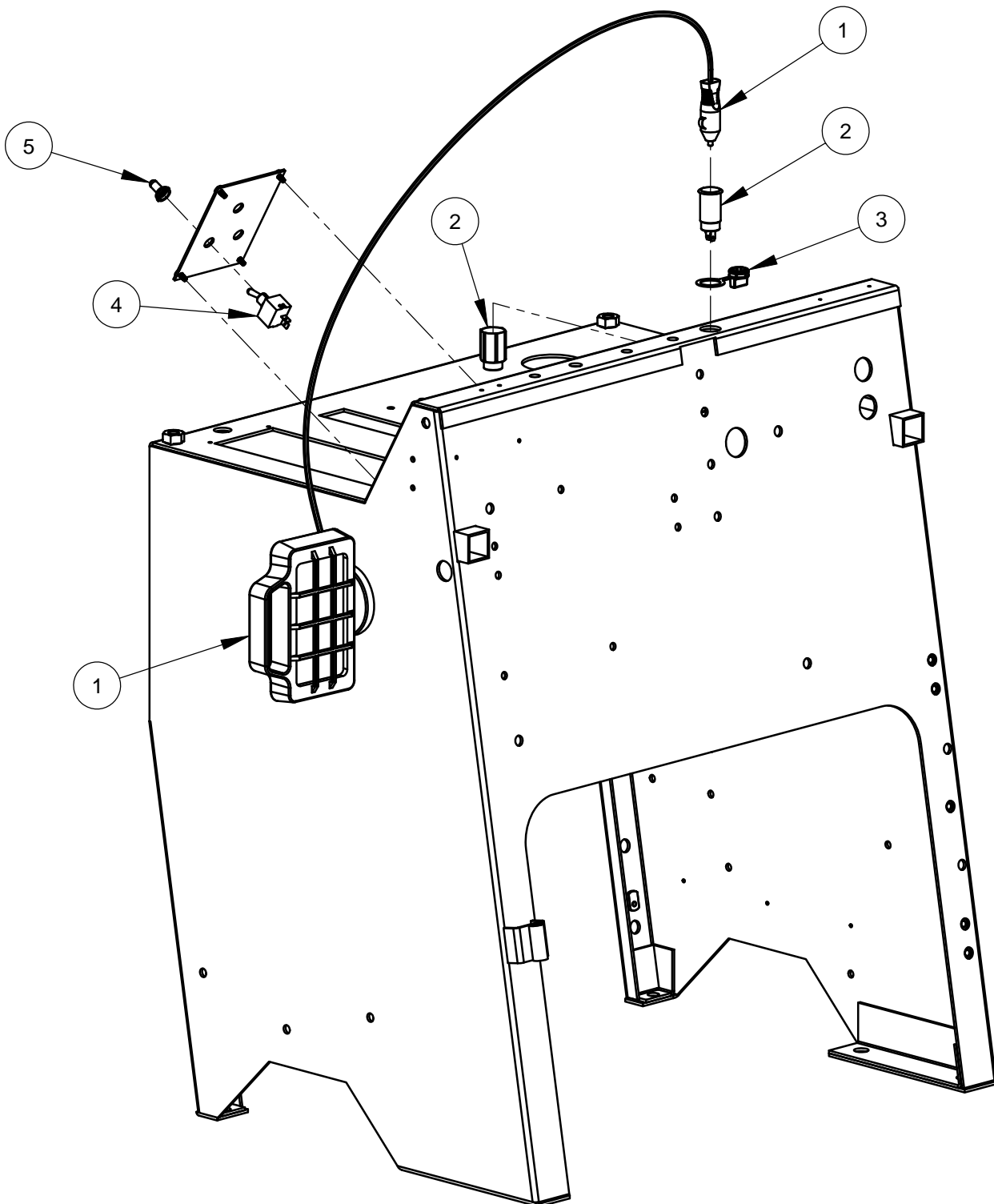
| ITEM | PART NO. | QTY. | DESCRIPTION                  |
|------|----------|------|------------------------------|
| 1    | 2800060  | 1    | Water Pressure Safety Switch |
| 2    | 2800062  | 1    | Toggle Switch                |
| 3    | 2800063  | 1    | Switch Boot                  |
| 4    | 2800144  | 1    | Relay                        |
| 5    | 2800263  | 1    | Relay Connector              |

## Optional Spot Light Assembly #6010112



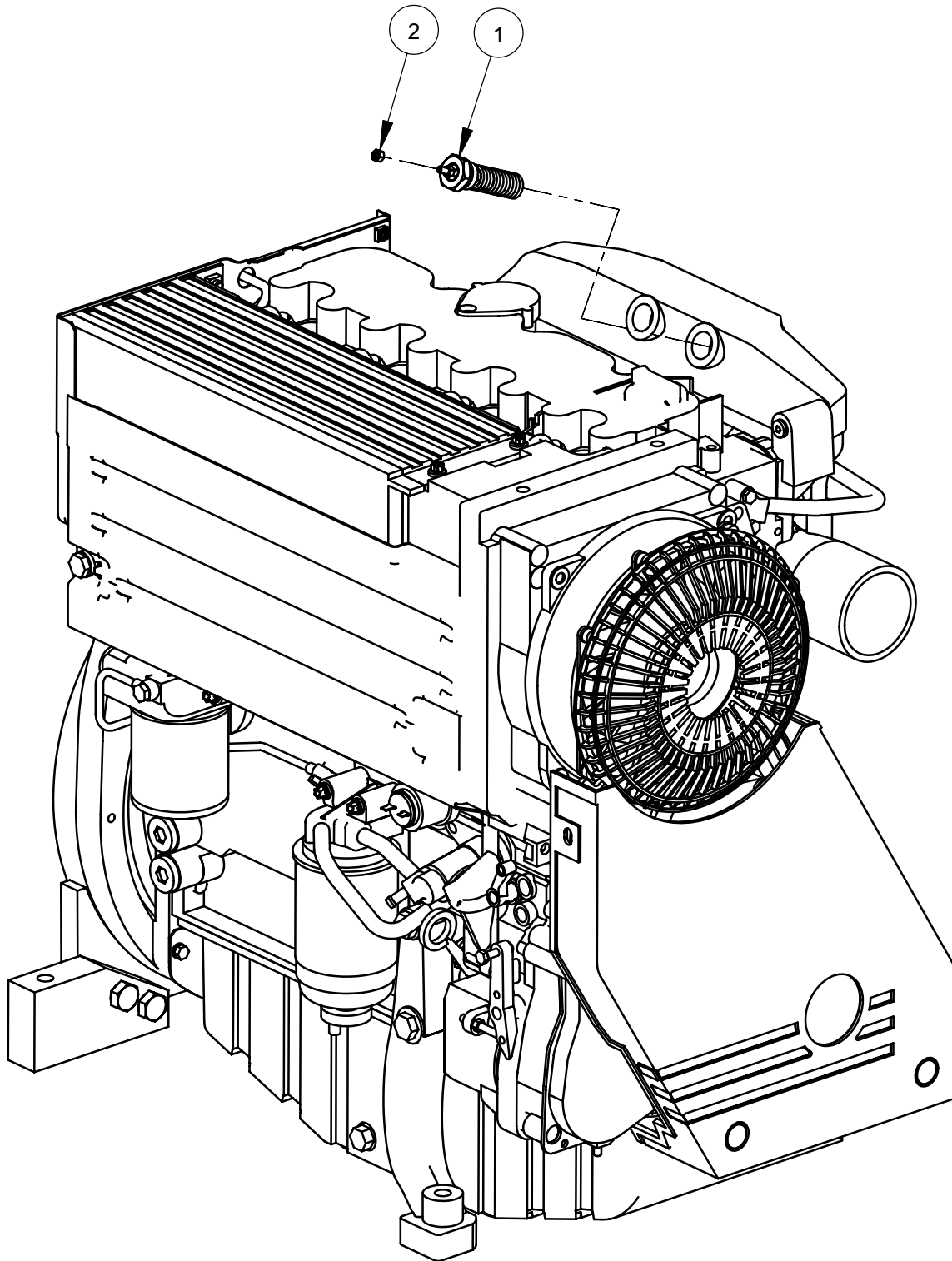
| ITEM | PART NO. | QTY. | DESCRIPTION                       |
|------|----------|------|-----------------------------------|
| 1    | 2500194  | 1    | Spot Light, 12 Volt               |
| 2    | 6010106  | 1    | Light Bar                         |
| 3    | 6010107  | 1    | Light Bar Mount Bracket           |
| 4    | 2400157  | 2    | Hand Lock Knob, 5/16-18 x 1"      |
| 5    | 2900144  | 2    | Cap Screw, Hex Hd., 1/4-20 x 3/4" |
| 6    | 2900010  | 2    | Lock Nut, 1/4-20 Nylon            |
| 7    | 2800062  | 1    | Toggle Switch                     |
| 8    | 2800063  | 1    | Switch Boot                       |

## Optional Magnetic Spot Light Assembly #6011170



| ITEM | PART NO. | QTY. | DESCRIPTION               |
|------|----------|------|---------------------------|
| 1    | 2501087  | 1    | Light, 12V Magnetic Base  |
| 2    | 2800374  | 1    | Outlet, 12 Volt Power     |
| 3    | 2800375  | 1    | Cap, 12 Volt Power Outlet |
| 4    | 2800062  | 1    | Toggle Switch On/Off      |
| 5    | 2800063  | 1    | Switch Boot               |

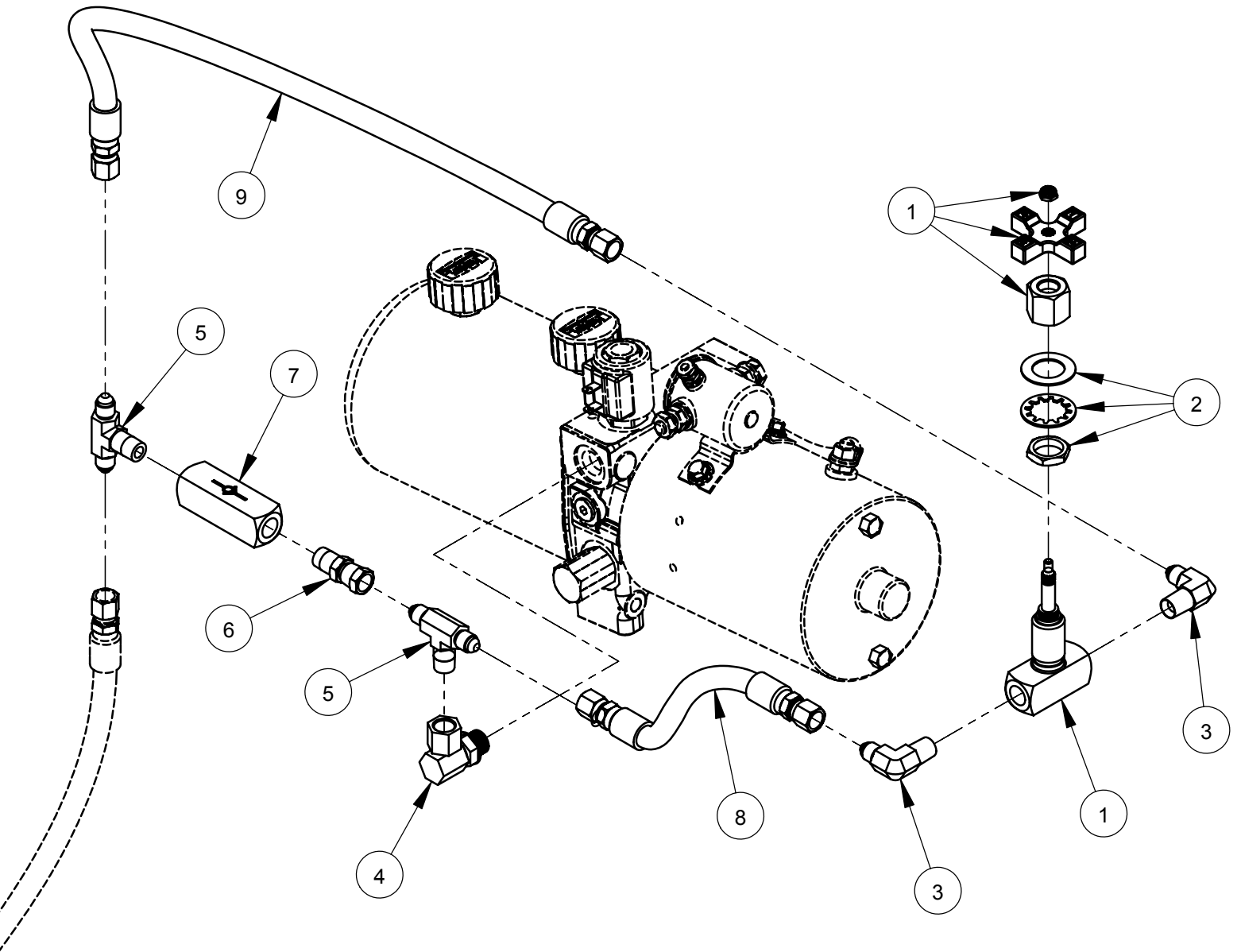
## Optional Glow Plug Assembly #6010596



| ITEM | PART NO. | QTY. | DESCRIPTION        |
|------|----------|------|--------------------|
| 1    | 2701698  | 1    | Glow Plug          |
| 2    | 2900301  | 1    | Lock Nut, M5 Nylon |

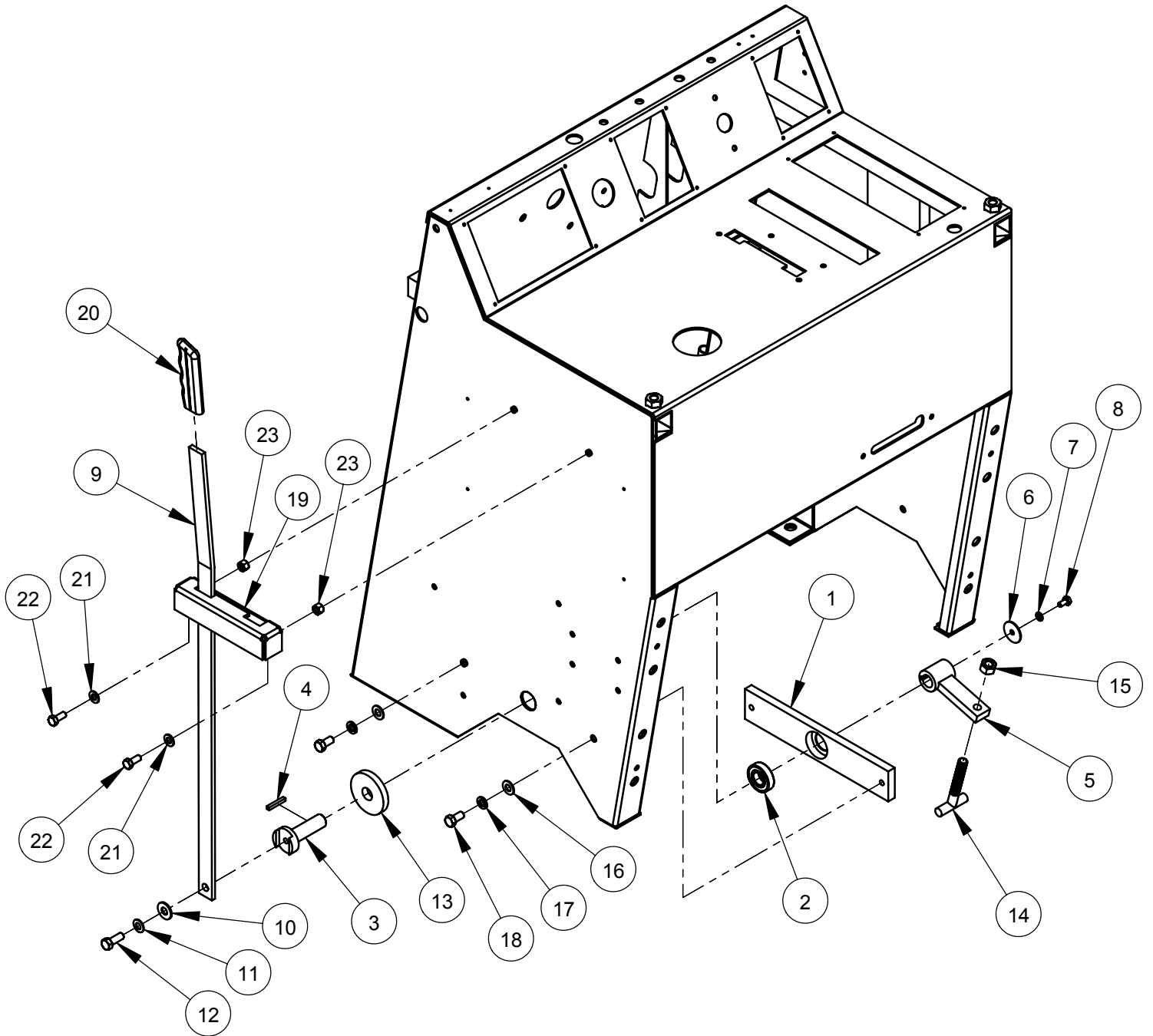


## Optional Lowering Speed Metering Valve Assembly #6010227



| ITEM | PART NO. | QTY. | DESCRIPTION                          |
|------|----------|------|--------------------------------------|
| 1    | 3200211  | 1    | Valve, 1/4" Metering                 |
| 2    | 3200212  | 1    | Panel Mounting Kit                   |
| 3    | 3200057  | 2    | Elbow, 1/4" M. Pipe to 1/4" M. JIC   |
| 4    | 3200115  | 1    | Elbow, 3/8" O-Ring to 1/4" F. Pipe   |
| 5    | 3200213  | 2    | Tee, 1/4" M. JIC to 1/4" M. Pipe     |
| 6    | 3200219  | 1    | Adapter, 1/4" M. Pipe to 1/4" F. JIC |
| 7    | 3200218  | 1    | Check Valve                          |
| 8    | 6010247  | 1    | Hose Assembly, 8" Long               |
| 9    | 6010248  | 1    | Hose Assembly, 20" Long              |

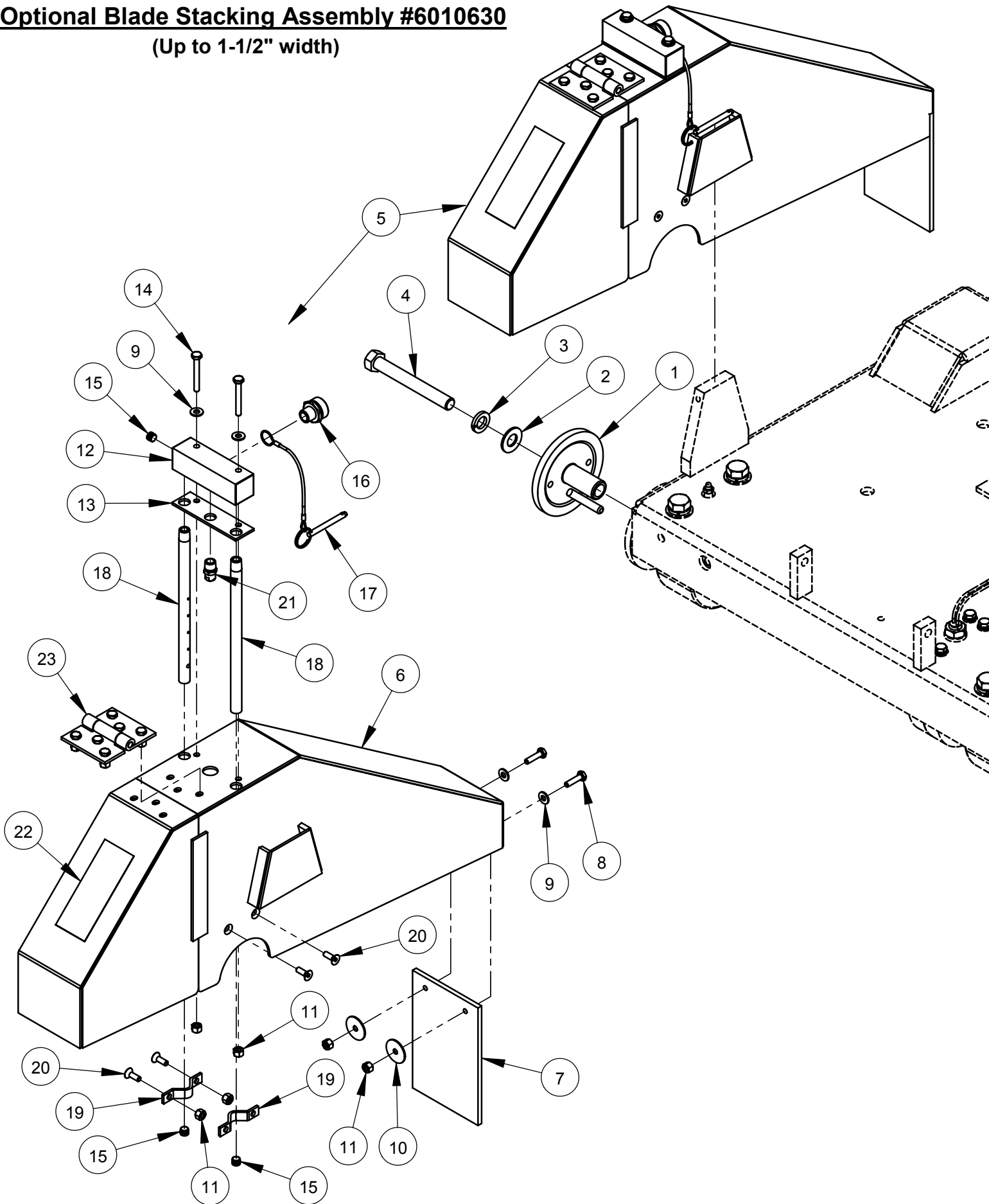
# Optional Parking Brake Assembly #6011228



## Optional Parking Brake Assembly #6011228

| ITEM | PART NO. | QTY. | DESCRIPTION                           |
|------|----------|------|---------------------------------------|
| 1    | 6011229  | 1    | Bearing Housing Bar                   |
| 2    | 2501664  | 1    | Ball Bearing, 3/4" x 1-5/8" x 7/16"   |
| 3    | 6011230  | 1    | Pivot Pin                             |
| 4    | 6048229  | 1    | Key, 3/16" Sq. x 1-1/4"               |
| 5    | 6011231  | 1    | Pivot Arm                             |
| 6    | 2900083  | 1    | Fender Washer, 1/4" x 1-1/4"          |
| 7    | 2900024  | 1    | Lock Washer, 1/4" Split               |
| 8    | 2900082  | 1    | Cap Screw, Hex Hd., 1/4-20 x 1/2"     |
| 9    | 6011232  | 1    | Brake Lever                           |
| 10   | 2900473  | 1    | Flat Washer, 3/8" USS                 |
| 11   | 2900474  | 1    | Belleville Washer, 3/8"               |
| 12   | 2900005  | 1    | Cap Screw, Hex Hd., 3/8-16 x 1"       |
| 13   | 6011234  | 1    | Friction Washer, 3/4" x 2-1/2" x 3/8" |
| 14   | 2900632  | 1    | T-Bolt, 1/2-13                        |
| 15   | 2900037  | 1    | Hex Nut, 1/2-13                       |
| 16   | 2900014  | 2    | Flat Washer, 3/8" SAE                 |
| 17   | 2900006  | 2    | Lock Washer, 3/8" Split               |
| 18   | 2900196  | 2    | Cap Screw, Hex Hd., 3/8-16 x 3/4"     |
| 19   | 6011233  | 1    | Lever Gate                            |
| 20   | 2500002  | 1    | Lever Grip                            |
| 21   | 2900022  | 2    | Flat Washer, 5/16" SAE                |
| 22   | 2900019  | 2    | Cap Screw, Hex Hd., 5/16-18 x 3/4"    |
| 23   | 2900039  | 2    | Lock Nut, 5/16-18 Nylon               |

**Optional Blade Stacking Assembly #6010630**  
(Up to 1-1/2" width)

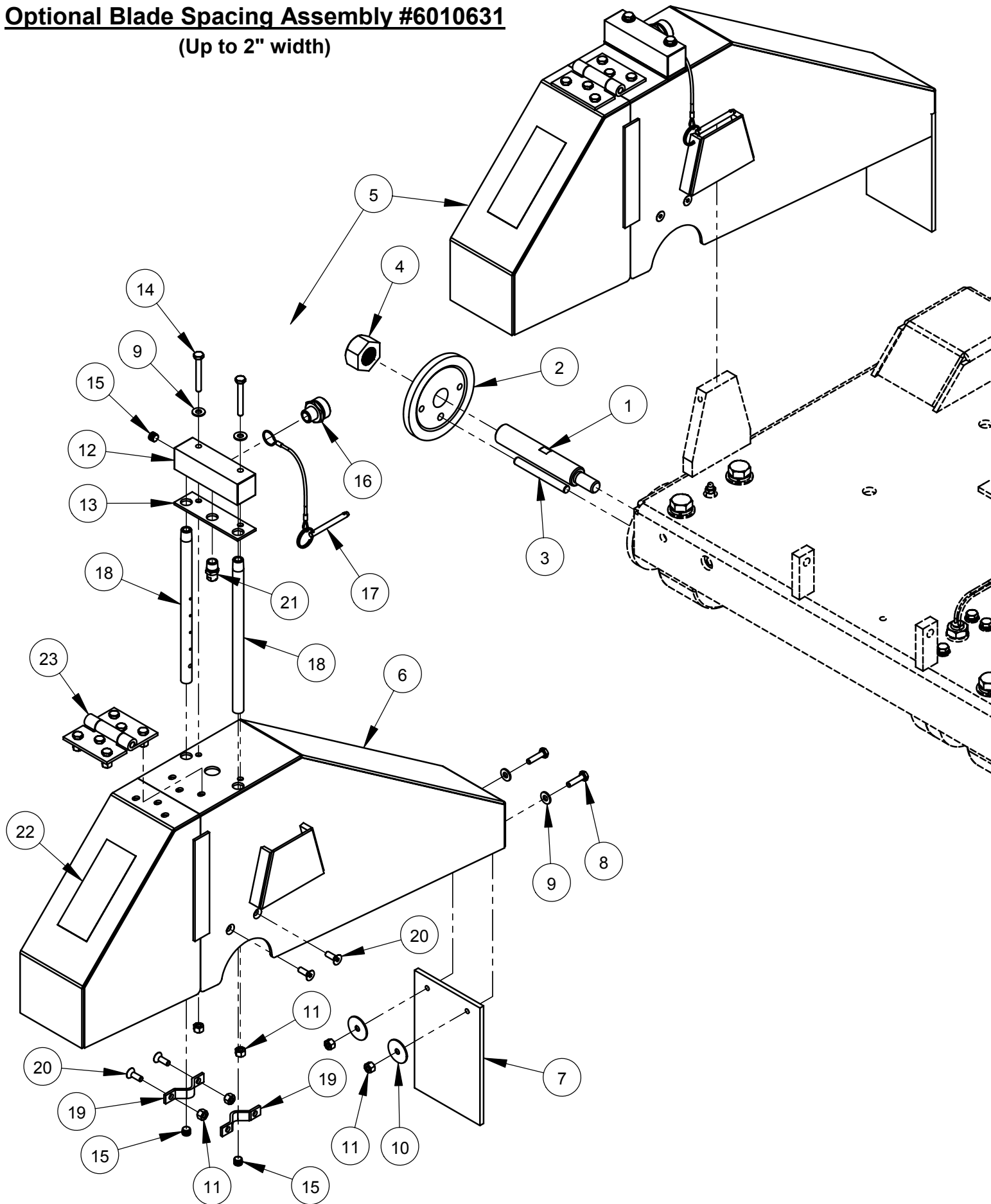


**Optional Blade Stacking Assembly #6010630**  
**(Up to 1-1/2" width)**

| ITEM | PART NO. | QTY. | DESCRIPTION                         |
|------|----------|------|-------------------------------------|
| 1    | 6010159  | 1    | Outer Flange 4-1/2" with Pin        |
| 2    | 2900002  | 1    | Flat Washer, 5/8" SAE               |
| 3    | 2900113  | 1    | Lock Washer, 5/8" Split             |
| 4    | 2900210  | 1    | Cap Screw, Hex Hd., 5/8"-11 x 5" LH |
| 5    | 6010620  | 1    | 20" Wide Blade Guard Assembly       |

| ITEM | PART NO. | QTY. | DESCRIPTION                             |
|------|----------|------|---|
| 6    | 6010621  | 1    | 20" Wide Blade Guard Front & Rear Only  |
| 7    | 6010296  | 1    | Splash Flap                             |
| 8    | 2900008  | 2    | Cap Screw, Hex Hd., 1/4-20 x 1"         |
| 9    | 2900009  | 4    | Flat Washer, 1/4" SAE                   |
| 10   | 2900083  | 2    | Fender Washer, 1/4" x 1-1/4"            |
| 11   | 2900010  | 8    | Lock Nut, 1/4-20 Nylon                  |
| 12   | 6010288  | 1    | Water Manifold                          |
| 13   | 2500988  | 1    | Water Manifold Gasket                   |
| 14   | 2900294  | 2    | Cap Screw, Hex Hd., 1/4-20 x 2"         |
| 15   | 3200001  | 3    | Plug, 1/8" NPT                          |
| 16   | 3200002  | 1    | Fitting, 3/8" M. Pipe to 3/4" M. Garden |
| 17   | 2900278  | 1    | Lanyard with Lock Pin                   |
| 18   | 6010085  | 2    | Water Tube for 20" Guard                |
| 19   | 6048155  | 2    | Water Tube Clamp                        |
| 20   | 2900020  | 4    | Cap Screw, Flat Hd., 1/4-20 x 3/4"      |
| 21   | 3200208  | 1    | Nozzle, 1/4" NPT                        |
| 22   | 1800001  | 1    | Warning Label                           |
| 23   | 6010251  | 1    | Hinge Assembly for 20" Guard            |

**Optional Blade Spacing Assembly #6010631**  
(Up to 2" width)

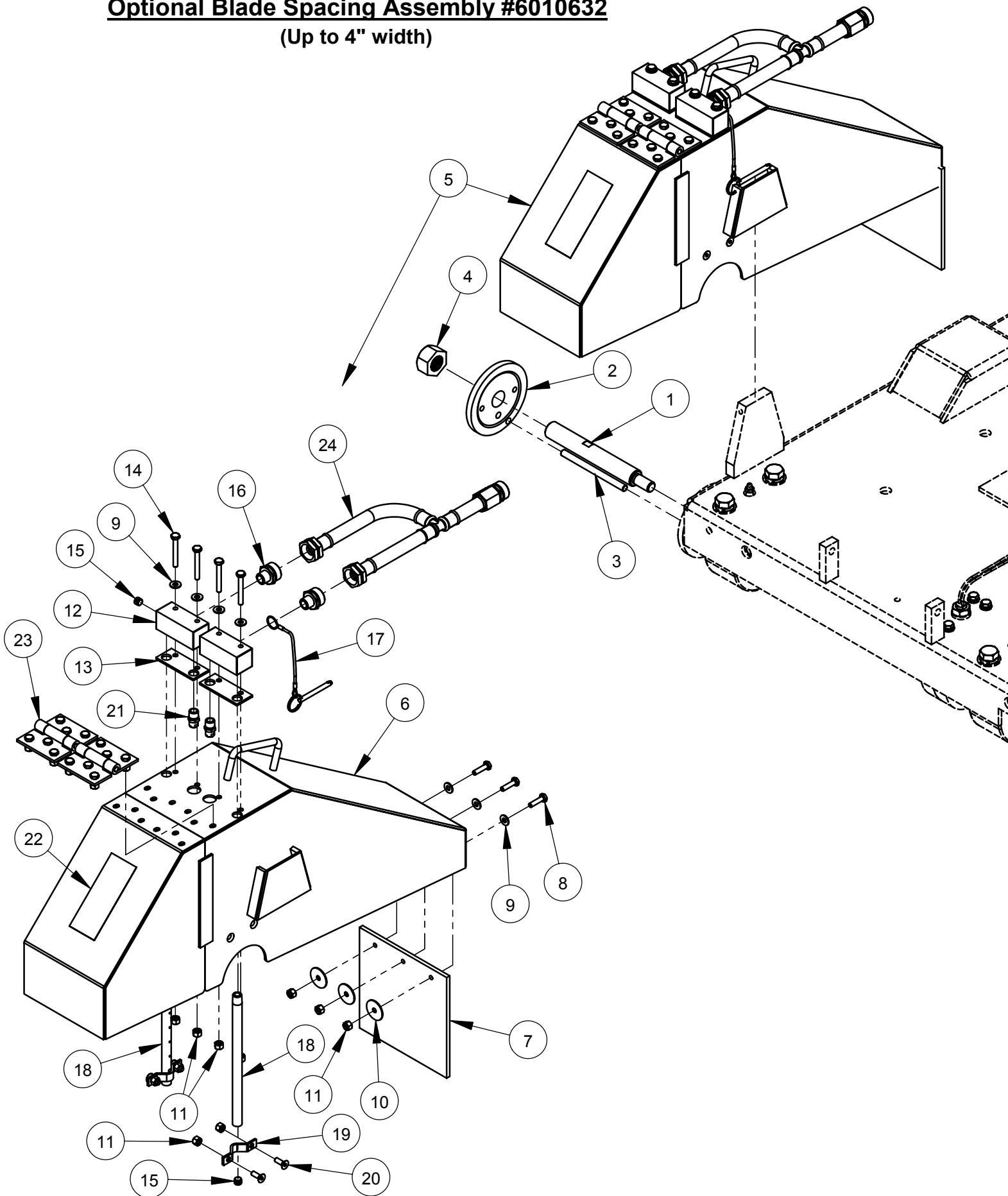


**Optional Blade Spacing Assembly #6010631**  
**(Up to 2" width)**

| ITEM | PART NO. | QTY. | DESCRIPTION                             |
|------|----------|------|---|
| 1    | 6010186  | 1    | Blade Shaft Extension, Left Hand Thread |
| 2    | 6010187  | 1    | Outer Flange 4-1/2"                     |
| 3    | 2900218  | 1    | Dowel Pin, 3/8" Dia. x 3-1/2"           |
| 4    | 2900212  | 1    | Hex Nut, 1"-14 Left Hand                |
| 5    | 6010620  | 1    | 20" Wide Blade Guard Assembly           |

| ITEM | PART NO. | QTY. | DESCRIPTION                             |
|------|----------|------|---|
| 6    | 6010621  | 1    | 20" Wide Blade Guard Front & Rear Only  |
| 7    | 6010296  | 1    | Splash Flap                             |
| 8    | 2900008  | 2    | Cap Screw, Hex Hd., 1/4-20 x 1"         |
| 9    | 2900009  | 4    | Flat Washer, 1/4" SAE                   |
| 10   | 2900083  | 2    | Fender Washer, 1/4" x 1-1/4"            |
| 11   | 2900010  | 8    | Lock Nut, 1/4-20 Nylon                  |
| 12   | 6010288  | 1    | Water Manifold                          |
| 13   | 2500988  | 1    | Water Manifold Gasket                   |
| 14   | 2900294  | 2    | Cap Screw, Hex Hd., 1/4-20 x 2"         |
| 15   | 3200001  | 3    | Plug, 1/8" NPT                          |
| 16   | 3200002  | 1    | Fitting, 3/8" M. Pipe to 3/4" M. Garden |
| 17   | 2900278  | 1    | Lanyard with Lock Pin                   |
| 18   | 6010085  | 2    | Water Tube for 20" Guard                |
| 19   | 6048155  | 2    | Water Tube Clamp                        |
| 20   | 2900020  | 4    | Cap Screw, Flat Hd., 1/4-20 x 3/4"      |
| 21   | 3200208  | 1    | Nozzle, 1/4" NPT                        |
| 22   | 1800001  | 1    | Warning Label                           |
| 23   | 6010251  | 1    | Hinge Assembly for 20" Guard            |

**Optional Blade Spacing Assembly #6010632**  
(Up to 4" width)



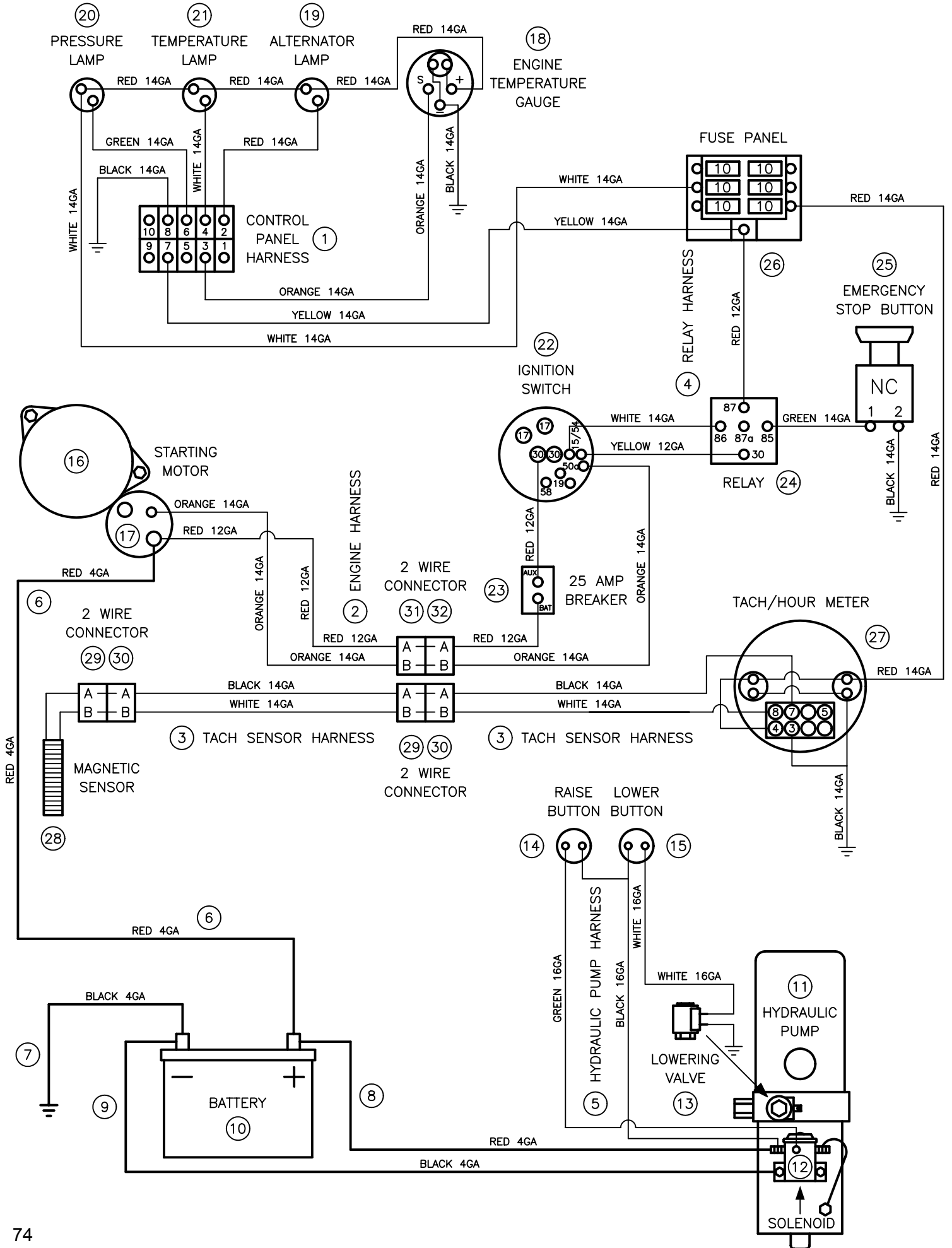


**Optional Blade Spacing Assembly #6010632**  
**(Up to 4" width)**

| ITEM | PART NO. | QTY. | DESCRIPTION                             |
|------|----------|------|---|
| 1    | 6010309  | 1    | Blade Shaft Extension, Left Hand Thread |
| 2    | 6010187  | 1    | Outer Flange 4-1/2"                     |
| 3    | 6010359  | 1    | Drive Pin, 3/8" Dia. x 5"               |
| 4    | 2900212  | 1    | Hex Nut, 1"-14 Left Hand                |
| 5    | 6010622  | 1    | 20" Wide Blade Guard Assembly           |

| ITEM | PART NO. | QTY. | DESCRIPTION                             |
|------|----------|------|---|
| 6    | 6010623  | 1    | 20" Wide Blade Guard Front & Rear Only  |
| 7    | 6010366  | 1    | Splash Flap                             |
| 8    | 2900008  | 3    | Cap Screw, Hex Hd., 1/4-20 x 1"         |
| 9    | 2900009  | 7    | Flat Washer, 1/4" SAE                   |
| 10   | 2900083  | 3    | Fender Washer, 1/4" x 1-1/4"            |
| 11   | 2900010  | 11   | Lock Nut, 1/4-20 Nylon                  |
| 12   | 6048123  | 2    | Water Manifold                          |
| 13   | 2500829  | 2    | Water Manifold Gasket                   |
| 14   | 2900294  | 4    | Cap Screw, Hex Hd., 1/4-20 x 2"         |
| 15   | 3200001  | 4    | Plug, 1/8" NPT                          |
| 16   | 3200002  | 2    | Fitting, 3/8" M. Pipe to 3/4" M. Garden |
| 17   | 2900278  | 1    | Lanyard with Lock Pin                   |
| 18   | 6010085  | 2    | Water Tube for 20" Guard                |
| 19   | 6048155  | 2    | Water Tube Clamp                        |
| 20   | 2900020  | 4    | Cap Screw, Flat Hd., 1/4-20 x 3/4"      |
| 21   | 3200208  | 2    | Nozzle, 1/4" NPT                        |
| 22   | 1800001  | 1    | Warning Label                           |
| 23   | 6010251  | 2    | Hinge Assembly for 20" Guard            |
| 24   | 6010588  | 1    | Hose Assembly, Dual Inlet               |

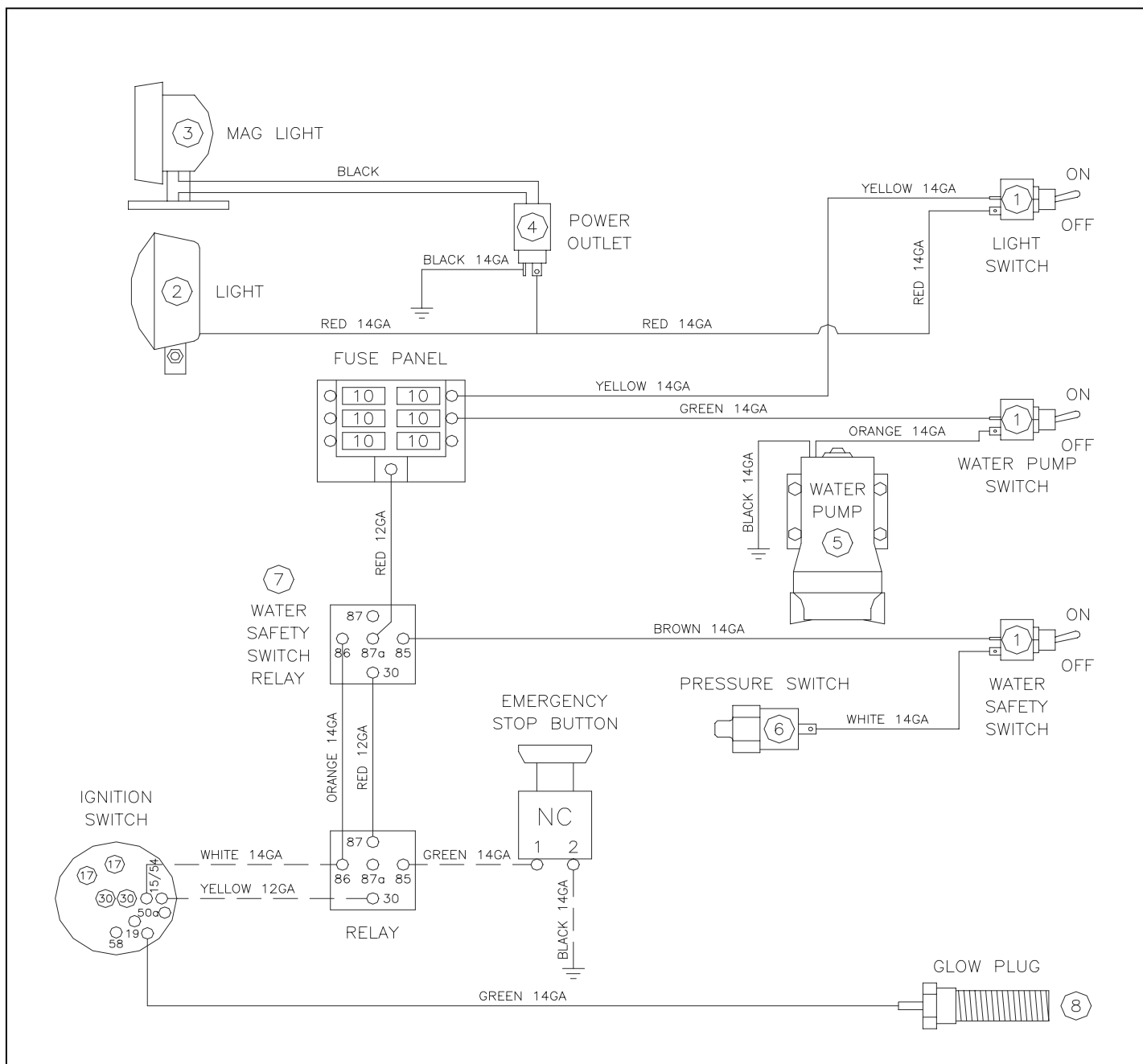
# Wiring Diagram



## Wiring Diagram

| Item | Part No. | Qty. | Description                              | Item | Part No. | Qty. | Description                      |
|------|----------|------|--|------|----------|------|----------------------------------|
| 1    | 2800396  | 1    | Control Panel Harness                    | 23   | 2800387  | 1    | Circuit Breaker, 25 Amp          |
| 2    | 2800429  | 1    | Engine Harness (Includes #31 & #32)      |      | 2800364  | 1    | Circuit Breaker Boot, Red        |
| 3    | 2800397  | 1    | Tach Sensor Harness (Includes #29 & #30) | 24   | 2800144  | 1    | Relay                            |
| 4    | 2800392  | 1    | Relay Harness                            |      | 2800263  | 1    | Relay Connector                  |
| 5    | 2800393  | 1    | Hydraulic Pump Harness                   |      | 2800264  | 4    | Wire Terminal, 1/4" Push-on      |
| 6    | 2800073  | 1    | Battery Cable, Positive (Red)            | 25   | 2800461  | 1    | Emergency Stop Button            |
| 7    | 2800072  | 1    | Battery Cable, Negative (Black)          |      | 2800462  | 1    | Contact Block N.C.               |
| 8    | 2800095  | 1    | Solenoid Cable, Positive (Red)           | 26   | 2800388  | 1    | Fuse Panel, 6 Circuit            |
| 9    | 2800182  | 1    | Ground Cable, Negative (Black)           |      | 2800389  | 6    | Fuse, 10 Amp Red ATO/ATC         |
| 10   | 2800465  | 1    | Battery, 12 Volt Group Size 24           | 27   | 6010416  | 1    | Tach/Hour Meter (VDO) Calibrated |
| 11   | 2600437  | 1    | Hydraulic Pump Unit (Includes #12 & #13) |      | 2800611  | 2    | (Light Socket)                   |
| 12   | 2700169  | 1    | Solenoid, Motor                          |      | 2800612  | 2    | (Light Bulb, Wedge Base)         |
| 13   | 2700243  | 1    | Valve Coil                               | 28   | 2800170  | 1    | Magnetic Sensor (Includes #29)   |
|      | 2700244  | 1    | Valve Stem                               | 29   | 2800145  | 2    | Connector, 2 Wire Shroud         |
| 14   | 2800372  | 1    | Pushbutton Switch, Raise                 |      | 2800114  | 4    | Male Terminal, 14/16 Gage Wire   |
| 15   | 2800373  | 1    | Pushbutton Switch, Lower                 |      | 2800174  | 4    | Cable Seal, Gray                 |
| 16   | 2702274  | 1    | Starting Motor (Includes #17)            | 30   | 2800146  | 2    | Connector, 2 Wire Tower          |
| 17   | 2701823  | 1    | Solenoid Switch                          |      | 2800115  | 4    | Female Terminal, 14/16 Gage Wire |
| 18   | 2703192  | 1    | Temperature Gauge, Pricol                |      | 2800174  | 4    | Cable Seal, Gray                 |
| 19   | 2700785  | 1    | Alternator Light                         | 31   | 2800145  | 1    | Connector, 2 Wire Shroud         |
|      | 2700923  | 1    | (Bulb Only)                              |      | 2800114  | 1    | Male Terminal, 14/16 Gage Wire   |
| 20   | 2700786  | 1    | Oil Pressure Light                       |      | 2800112  | 1    | Male Terminal, 12 Gage Wire      |
|      | 2700923  | 1    | (Bulb Only)                              |      | 2800174  | 1    | Cable Seal, Gray                 |
| 21   | 2700787  | 1    | Oil Temperature Light                    |      | 2800175  | 1    | Cable Seal, Blue                 |
|      | 2700923  | 1    | (Bulb Only)                              | 32   | 2800146  | 1    | Connector, 2 Wire Tower          |
| 22   | 2703194  | 1    | Ignition Switch & Key                    |      | 2800115  | 1    | Female Terminal, 14/16 Gage Wire |
|      | 2703195  | 1    | (Ignition Key Only)                      |      | 2800113  | 1    | Female Terminal, 12 Gage Wire    |
|      |          |      |  |      | 2800174  | 1    | Cable Seal, Gray                 |
|      |          |      |  |      | 2800175  | 1    | Cable Seal, Blue                 |

# Options Wiring Diagram

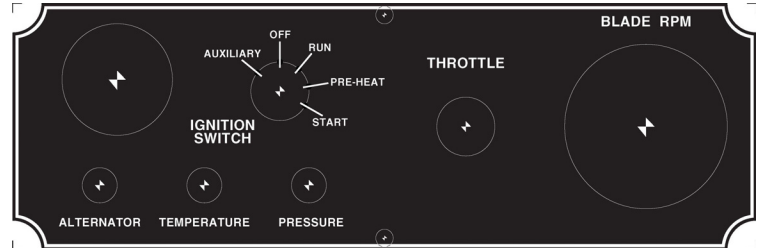


| Item | Part No. | Qty. | Description                  | Item | Part No. | Qty. | Description                  |
|------|----------|------|------------------------------|------|----------|------|------------------------------|
| 1    | 2800062  | 3    | Toggle Switch                | 5    | 2600200  | 1    | Water Pump, 12V Diaphragm    |
|      | 2800063  | 3    | Switch Boot                  | 6    | 2800060  | 1    | Water Pressure Safety Switch |
| 2    | 2500194  | 1    | Spot Light, 12 Volt          | 7    | 2800144  | 1    | Relay                        |
| 3    | 2501087  | 1    | Magnetic Base Light, 12 Volt |      | 2800263  | 1    | Relay Connector              |
| 4    | 2800374  | 1    | Power Outlet, 12 Volt        |      | 2800264  | 4    | Wire Terminal, 1/4" Push-on  |
|      | 2800375  | 1    | Outlet Cap                   | 8    | 2701698  | 1    | Glow Plug                    |

# Decal Group



CORE CUT DECAL  
#1800334 (Qty. 3)



INSTRUMENT PANEL DECAL  
#1800348

**DIAMOND PRODUCTS** **CORE CUT** 333 PROSPECT STREET  
EL PASO, TEXAS 79905-3568  
PHONE 1-800-321-5338  
www.diamondproducts.com

| CC7172 RPM CHART |           |                   |               |            |           |             |               |
|------------------|-----------|-------------------|---------------|------------|-----------|-------------|---------------|
| BLADE SIZE       | BLADE RPM | BLADESHAFT SHEAVE | ENGINE SHEAVE | ENGINE RPM | BELT SIZE | FLANGE SIZE | MAX CUT DEPTH |
| 14"              | 2,800     | 4"                | 4"            | 2,800      | 3VX500    | 4-1/2"      | 4-1/2"        |
| 20"              | 2,500     | 4.5"              | 4"            | 2,800      | 3VX500    | 4-1/2"      | 7-1/2"        |
| 26"              | 2,100     | 4.5"              | 4"            | 2,350      | 3VX500    | 4-1/2"      | 10-1/2"       |
| 30"              | 1,800     | 6"                | 4"            | 2,700      | 3VX530    | 6"          | 11-3/4"       |
| 38"              | 1,500     | 6"                | 4"            | 2,250      | 3VX530    | 6"          | 14-3/4"       |
| 42"              | 1,200     | 6.5"              | 4"            | 1,950      | 3VX530    | 7"          | 17-1/4"       |

**WARNING**

Always check the blade's RPM before mounting blade. Only use blades with a rated speed higher than the blade's shaft speed. Never exceed the maximum RPM of the blade. Operating the blade over rated blade loading and/or normal approved input will cause blade failure. Always check blade speed according to the speed chart for each recommended blade RPM. Do not use a 5/8" flange size smaller than indicated for each blade. Never operate saw without the blade guard in place or allow rotating blade exposure to a crowd. PPE required.

Never stand in line with the blade path when starting or opening saw. Never use damaged blades or equipment. Refer to operator's manual for additional information about safety, operation and maintenance.

**ADVERTENCIA**

Comprobar la velocidad de rotación (RPM) del eje de la hoja antes de montar la hoja. Solo usar hojas con una velocidad superior a la velocidad máxima de la hoja. Nunca exceder la velocidad máxima de la hoja. Operar la hoja por encima de la carga máxima y/o la entrada normal aprobada causará el fallo de la hoja. Siempre verificar la velocidad de la hoja de acuerdo al gráfico de velocidad para cada hoja recomendada. No usar un flange de 5/8" de tamaño inferior al indicado para cada hoja. Nunca opere la sierra sin el guardablanco en su lugar o permita la exposición de la hoja a un público. PPE requerido.

Nunca se de pie en línea con el camino de la hoja al iniciar o abrir la sierra. Nunca use cuchillas dañadas o equipo. Consulte el manual del operador para obtener información adicional sobre seguridad, operación y mantenimiento.

RPM CHART DECAL  
#1800584

**WARNING**

TO PREVENT SERIOUS INJURY DO NOT OPERATE SAW WITHOUT PROPER TRAINING & FULL UNDERSTANDING OF THE OWNERS MANUAL

WHEN OPERATING THIS MACHINE KEEP ALL GUARDS IN PLACE

ALWAYS WEAR SAFETY APPROVED

- HEARING PROTECTION
- EYE OR FACE PROTECTION
- HEAD PROTECTION
- RESPIRATOR

S.M.I. MASONRY AND CONCRETE  
S.M.I. SAW MANUFACTURERS INSTITUTE ©

WARNING DECAL  
#1800001

A collection of various safety and operational labels for a saw. It includes three circular RPM charts, a "DIESEL FUEL" label, "FORWARD ADELANTE" and "REVERSE REVERSA" directional labels, "REAR AXLE ADJUSTMENT" labels, "WARNING ADVERTENCIA" labels, "KEEP HANDS CLEAR" labels, "WATER SAFETY" labels, and "SPOT LIGHT" labels.

SAW LABELS SHEET  
#1800351

LUBRICATE PTO BEARINGS EVERY 25 HOURS. PUMP GREASE UNTIL IT JUST BEGINS TO OOOZE OUT BEHIND THE V-RING SEAL.

GREASE DECAL  
#1800897



## Blade Speed Conversion Charts

**WARNING:** Do not exceed blade speed (RPM) shown for each blade size.  
Excessive blade speed could result in blade breakage and serious personal injury!

| Blade Size | Blade Shaft |             | Engine      |             | Max. Depth of Cut |
|------------|-------------|-------------|-------------|-------------|-------------------|
|            | No Load RPM | Sheave Size | No Load RPM | Sheave Size |                   |
| 14"        | 2,800       | 4"          | 2,800       | 4"          | 4-1/2"            |
| 20"        | 2,500       | 4.5"        | 2,800       | 4"          | 7-1/2"            |
| 26"        | 2,100       | 4.5"        | 2,350       | 4"          | 10-1/2"           |
| 30"        | 1,800       | 6"          | 2,700       | 4"          | 11-3/4"           |
| 36"        | 1,500       | 6"          | 2,250       | 4"          | 14-3/4"           |
| 42"        | 1,200       | 6.5"        | 1,950       | 4"          | 17-1/4"           |

**WARNING:** When changing blade size, use chart shown below for selecting items that must be changed.

| Model CC7172                           | 14"                  | 20"                  | 26"                  | 30"                  | 36"                  | 42"                  |
|--|----------------------|----------------------|----------------------|----------------------|----------------------|----------------------|
| Blade Guard Assembly                   | 6010950              | 6010952              | 6010954              | 6010956              | 6010958              | 6010960              |
| Blade Shaft Sheave<br>(Sheave Size)    | 6010658<br>(4")      | 6010545<br>(4.5")    | 6010545<br>(4.5")    | 6013046<br>(6")      | 6013046<br>(6")      | 6013154<br>(6.5")    |
| Drive Belts (Set of 10)<br>(Belt Size) | 2503959<br>(3VX500K) | 2503959<br>(3VX500K) | 2503959<br>(3VX500K) | 2503960<br>(3VX530K) | 2503960<br>(3VX530K) | 2503960<br>(3VX530K) |
| Inner Flanges (2)<br>(Flange Size)     | 6010036<br>(4.5")    | 6010036<br>(4.5")    | 6010036<br>(4.5")    | 6010038<br>(6")      | 6010038<br>(6")      | 6017230<br>(7")      |
| Outer Flanges (2)<br>(Flange Size)     | 6010037<br>(4.5")    | 6010037<br>(4.5")    | 6010037<br>(4.5")    | 6010039<br>(6")      | 6010039<br>(6")      | 6017231<br>(7")      |
| Skid Plate<br>Mounting Holes           | Bottom Set           | Bottom Set           | Bottom Set           | Middle Set           | Middle Set           | Top Set              |

## **EQUIPMENT AND PARTS WARRANTY**

Diamond Products warrants all equipment manufactured by it against defects in workmanship or materials for a period of one (1) year from the date of shipment to Customer.

The responsibility of Diamond Products under this Warranty is limited to replacement or repair of defective parts at Diamond Products' Elyria, Ohio factory, or at a point designated by it, of such parts as shall appear to us upon inspection at such parts, to have been defective in material or workmanship, with expense for transportation and labor borne by Customer.

In no event shall Diamond Products be liable for consequential or incidental damages arising out of the failure of any Product to operate properly.

Integral units such as engines, electric motors, batteries, transmissions, etc., are excluded from this Warranty and are subject to the prime manufacturer's warranty.

**THIS WARRANTY IS IN LIEU OF ALL OTHER WARRANTIES, EXPRESSED OR IMPLIED, AND ALL SUCH OTHER WARRANTIES ARE HEREBY DISCLAIMED.**



333 Prospect Street, Elyria, Ohio 44035  
(440) 323-4616 • (800) 321-5336 • Fax (440) 323-8689  
[www.diamondproducts.com](http://www.diamondproducts.com)