

**DIAMOND**  
PRODUCTS

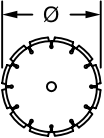
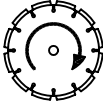
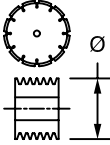
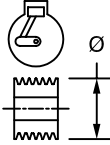


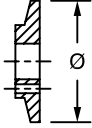
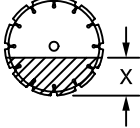
CONCRETE SAW  
PARTS LIST

**MODEL**  
**CC7272**

November 2005

Part #1800332

**⚠ WARNING: Do not exceed blade speed (RPM) shown for each blade size. Excessive blade speed could result in blade breakage and serious personal injury!**

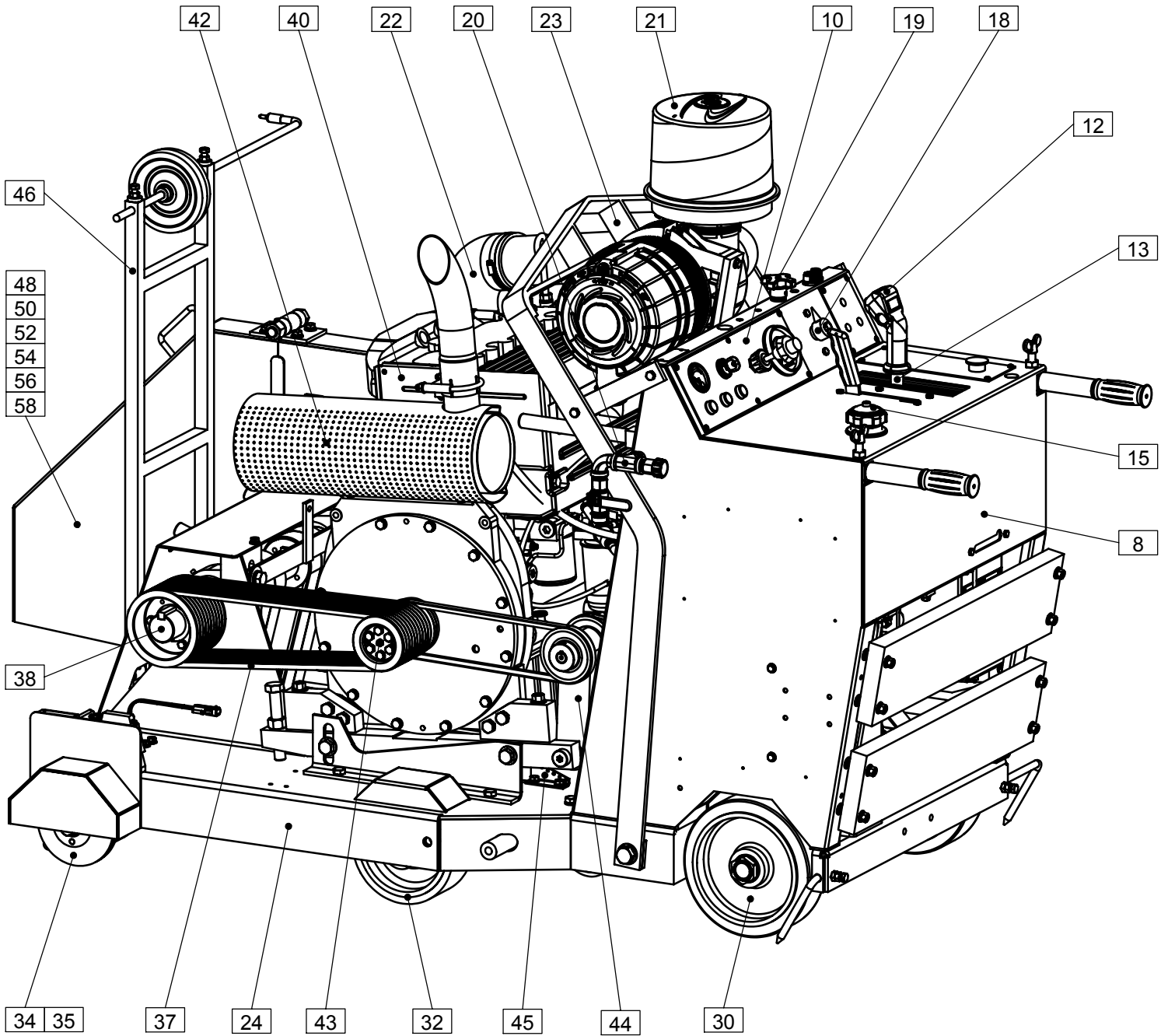
CC7272 RPM CHART							
BLADE SIZE	BLADE RPM	JACKSHAFT SHEAVE	ENGINE SHEAVE	ENGINE RPM	BELT SIZE	FLANGE SIZE	MAX CUT DEPTH
26"	1,825	4"	4"	3,000	3VX475	6"	9-3/4"
30"	1,825	4"	4"	3,000	3VX475	6"	11-3/4"
36"	1,300	5.6"	4"	3,000	3VX500	6"	14-3/4"
42"	1,300	5.6"	4"	3,000	3VX500	8"	16-3/4"
48"	950	7.6"	4"	3,000	3VX530	8"	19-3/4"
54"	950	7.6"	4"	3,000	3VX530	8"	22-3/4"
							

**⚠ WARNING ⚠**  
**The engine exhaust from this product contains chemicals known to the State of California to cause cancer, birth defects or other reproductive harm.**

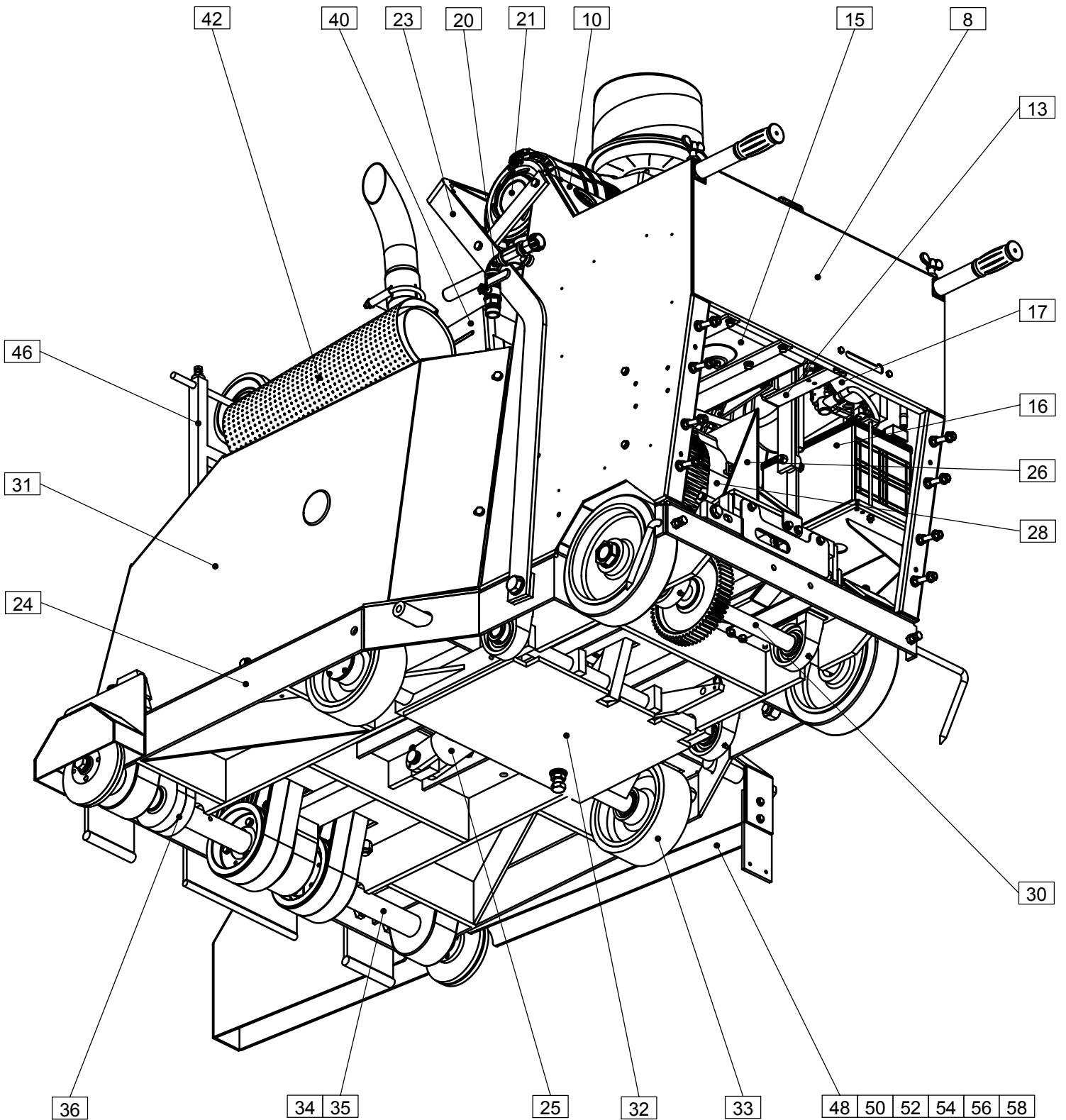
## Table of Contents

Pictorial Index.....	4,5	Shaft Tach Gear Assembly.....	36
Controls Legend.....	6	Belt Drive Assembly.....	37
Quick Reference Service Filters / Belts.....	7	Jackshaft Assembly.....	38,39
Frame Upright Assembly.....	8,9	Engine Assembly.....	40,41
Instrument Panel Assembly.....	10	Muffler Assembly.....	42
Throttle Cable Assembly.....	11	4” PTO Assembly.....	43
Control Grip Assembly.....	12	Transmission Jackshaft Assembly.....	44
Control Lever Assembly (Eaton).....	13	Belt Tensioner Assembly.....	45
Fuel Supply Assembly.....	14	Front Pointer Assembly.....	46
Fuel Tank Assembly.....	15	26” Blade Guard Assembly.....	48,49
Battery Assembly.....	16	30” Blade Guard Assembly.....	50,51
Hydraulic Pump Assembly.....	17	36” Blade Guard Assembly.....	52,53
Depth Indicator Assembly.....	18	42” Blade Guard Assembly.....	54,55
Depth Stop Assembly.....	19	48” Blade Guard Assembly.....	56,57
Water Supply Assembly.....	20	54” Blade Guard Assembly.....	58,59
Air Cleaner Assembly.....	21	Optional Water Pump Assembly.....	60
Air Intake Assembly.....	22	Optional Water Safety Switch Assembly.....	61
Frame Lift Assembly.....	23	Optional Spot Light Assembly.....	62
Frame Base Assembly.....	24	Optional Magnetic Spot Light Assembly.....	63
Hydraulic Cylinder Assembly.....	25	Optional Glow Plug Assembly.....	64
Rear Drive Assembly (Eaton).....	26,27	Optional Speed Metering Valve Assembly.....	65
Eaton Transmission Assembly.....	28	Optional Parking Brake Assembly.....	66,67
Linkage Assembly.....	29	Optional Bogie Wheel Assembly.....	68
Rear Axle Assembly (Eaton / Gear).....	30	Wiring Diagram.....	70,71
Belt Guard Assembly.....	31	Options Wiring Diagram.....	72
Front Axle Assembly.....	32	Decal Group.....	73
Front Wheel Assembly.....	33	Notes.....	74
Blade Shaft Assembly (Blades 26” – 36”).....	34	Blade Speed Conversion Charts.....	75
Blade Shaft Assembly (Blades 42” – 54”).....	35	Warranty.....	76

# Pictorial Page Index

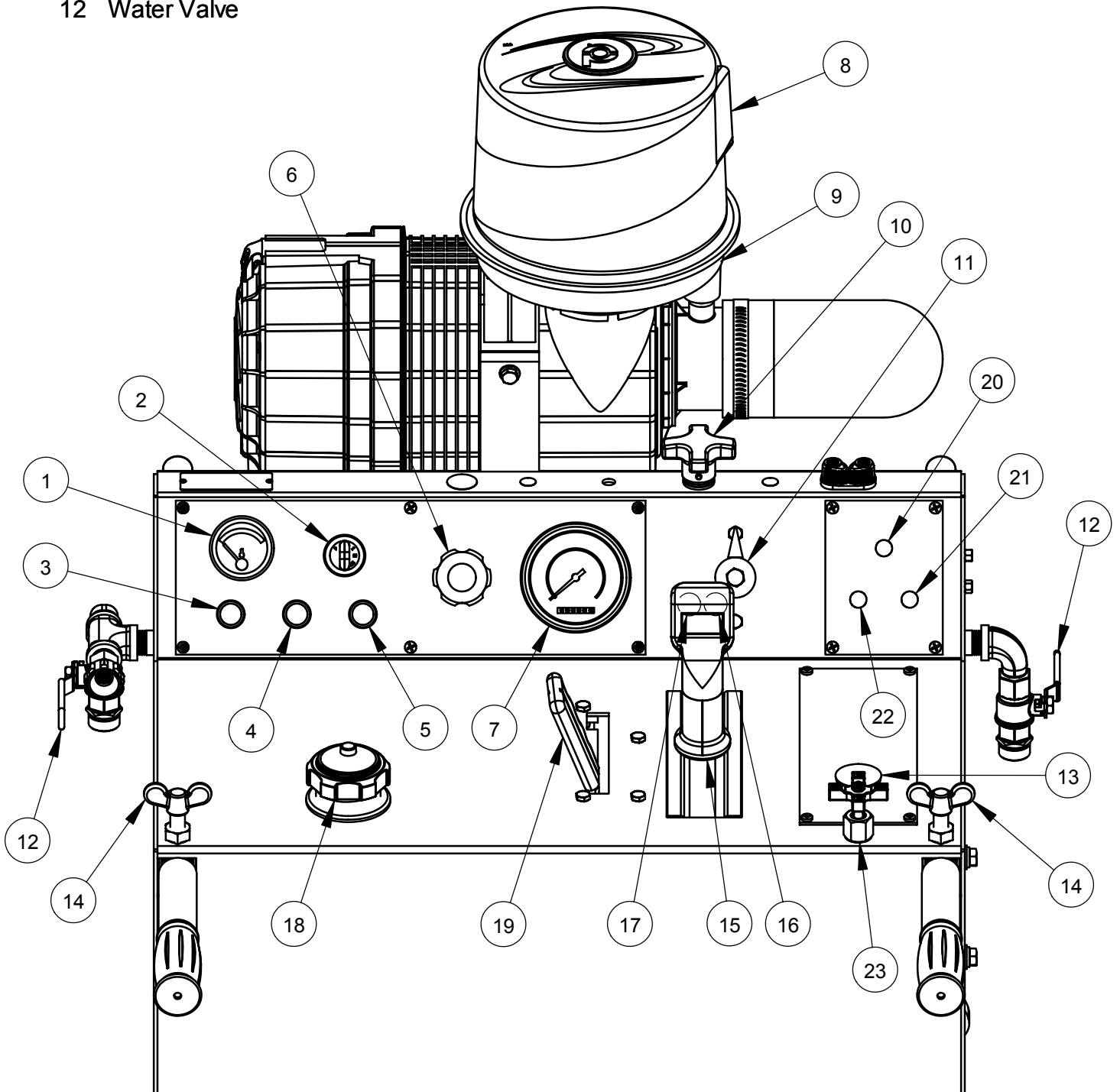


# Pictorial Page Index



## Controls Legend

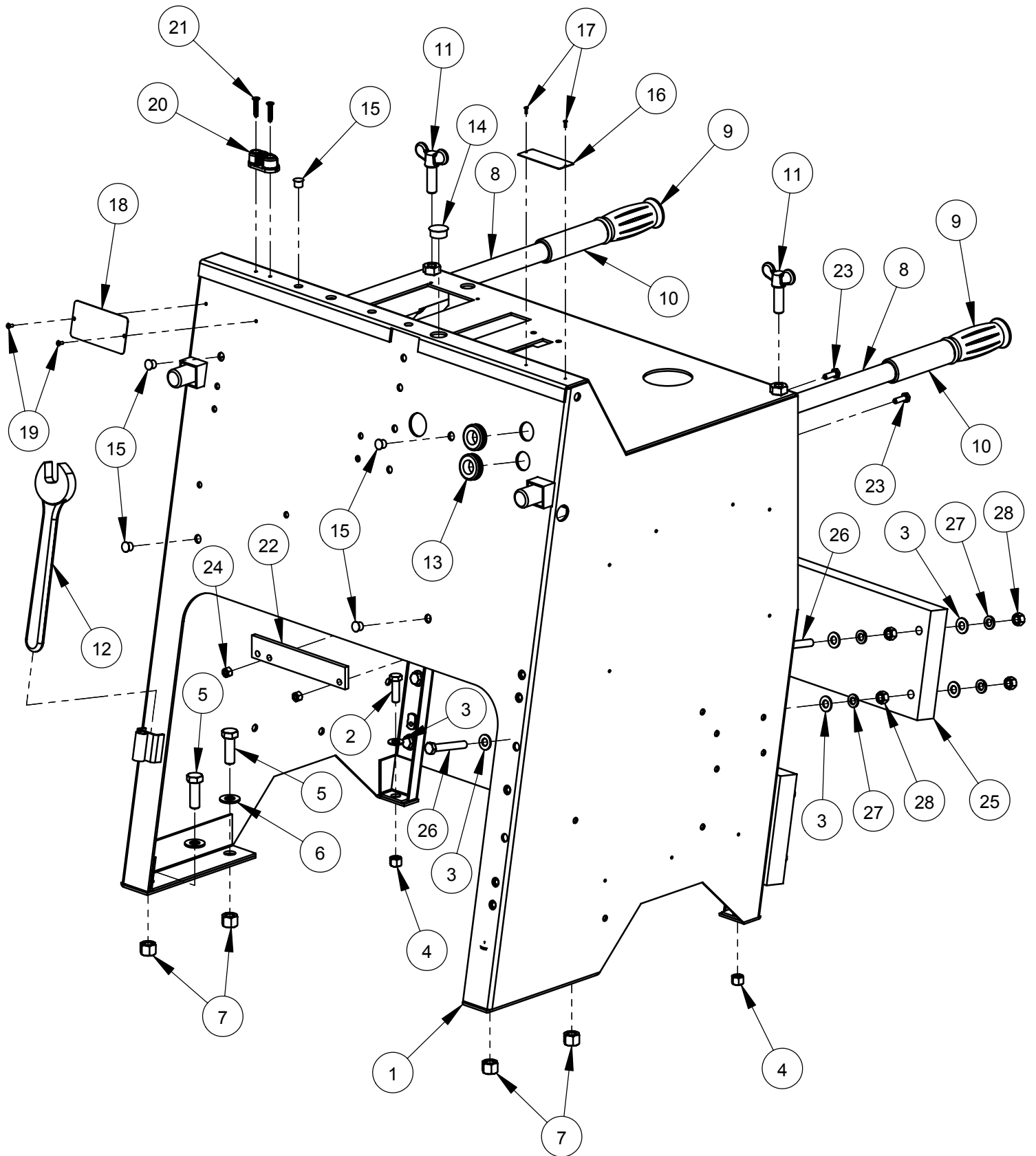
- |    |                                   |    |  |
|----|-----------------------------------|----|--|
| 1  | Engine Temperature Gauge          | 13 | Emergency Stop Button                    |
| 2  | Ignition Switch                   | 14 | Handle Lock Knobs                        |
| 3  | Alternator Light                  | 15 | Speed Control Lever                      |
| 4  | Oil Temperature Light             | 16 | Lower Pushbutton                         |
| 5  | Oil Pressure Light                | 17 | Raise Pushbutton                         |
| 6  | Vernier Throttle Control          | 18 | Fuel Tank Cap                            |
| 7  | Blade Tachometer / Hour Meter     | 19 | Transmission Engagement Lever            |
| 8  | Pre-Cleaner                       | 20 | Water Safety Switch (Optional)           |
| 9  | Air Cleaner Restriction Indicator | 21 | Spotlight Switch (Optional)              |
| 10 | Depth Stop Knob                   | 22 | Water Pump Switch (Optional)             |
| 11 | Cutting Depth Indicator           | 23 | Lowering Speed Metering Valve (Optional) |
| 12 | Water Valve                       |    |  |



## Quick Reference Service Filters / Belts

<b>DP Part No.</b>	<b>Description</b>	<b>Manufacturer's Part No.</b>
2701775	Engine Oil Filter	(Deutz #1174416)
2701339	Engine Fuel Filter	(Deutz #1174482)
2501785	In-Line Fuel Tank Filter	(Wix #33007)
2501352	Outer Primary Air Filter	(Donaldson #P828889)
2501353	Inner Safety Air Filter	(Donaldson #P829333)
2500298	Engine to Jackshaft Belt (10)	(Gates #3VX475)
2500371	Engine to Jackshaft Belt (10)	(Gates #3VX500)
2500438	Engine to Jackshaft Belt (10)	(Gates #3VX530)
2500436	Jackshaft to Blade Shaft Belt (4)	(Gates #4/3VX450)
2501968	Engine to Transmission Jackshaft Belt	(Gates #AX36)
2501780	Eaton Transmission Belt	(Gates #AX40)

# Frame Upright Assembly #6013190

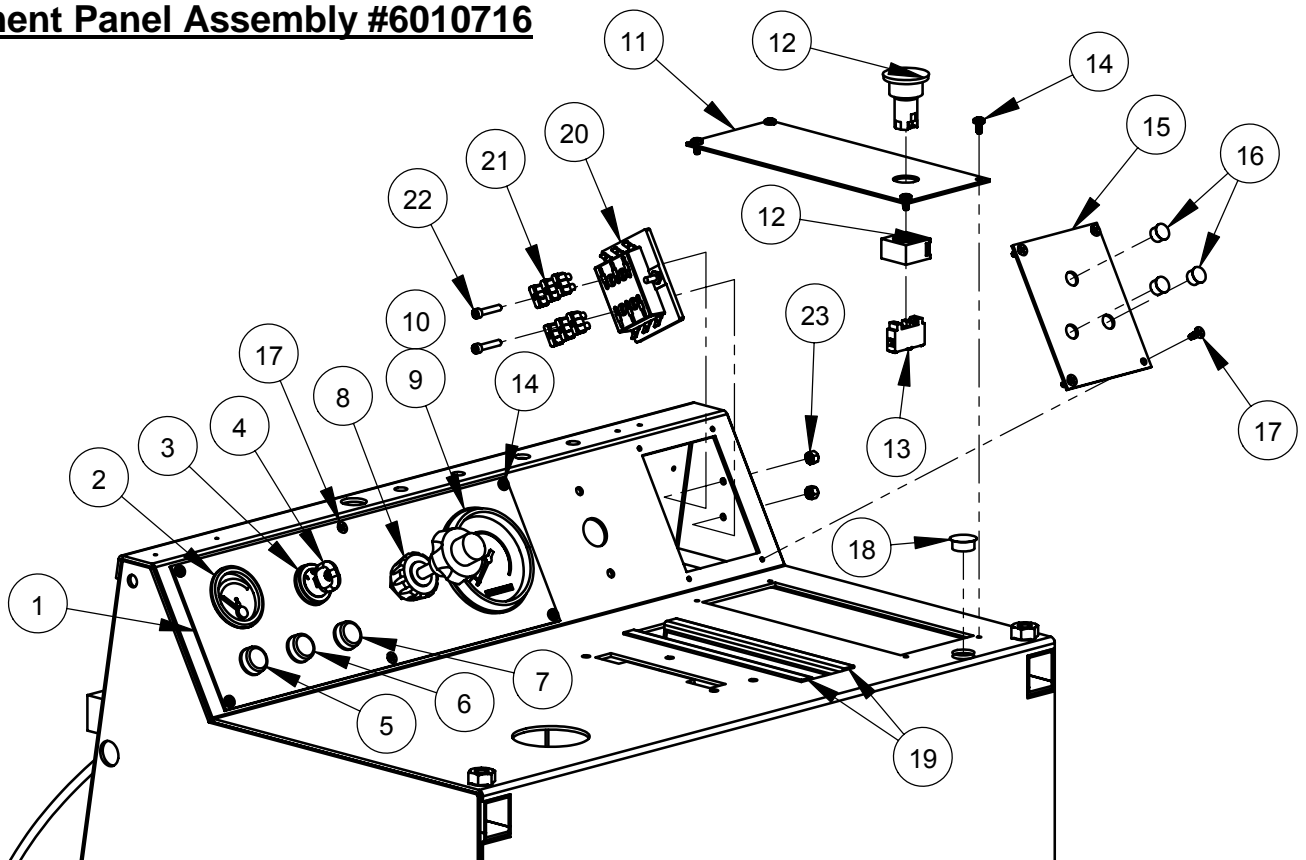




## Frame Upright Assembly #6013190

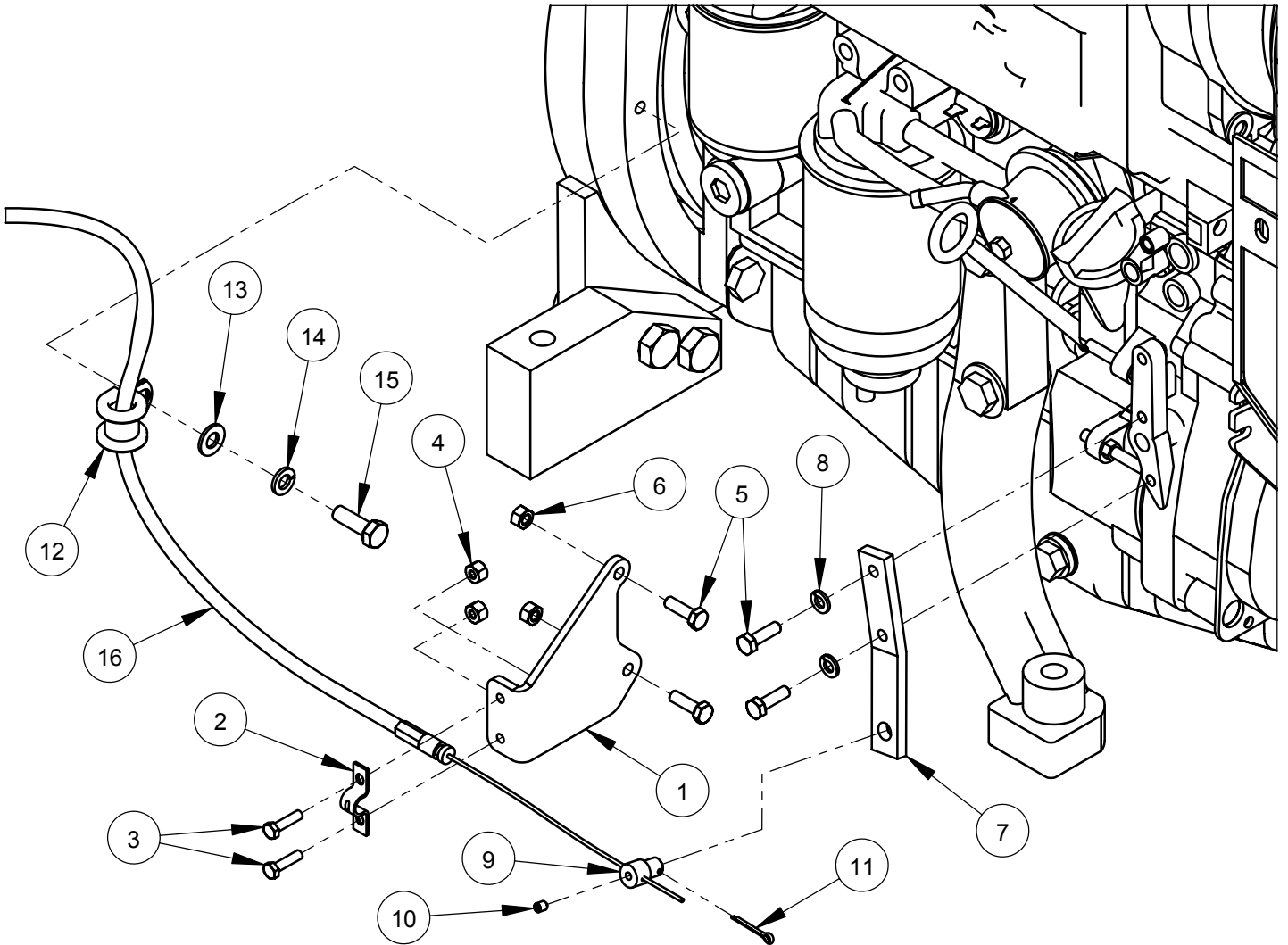
ITEM	PART NO.	QTY.	DESCRIPTION
1	6010687	1	Frame Upright Weldment
2	2900013	2	Cap Screw, Hex Hd., 3/8-16 x 1-1/4"
3	2900014	26	Flat Washer, 3/8" SAE
4	2900018	2	Lock Nut, 3/8-16 Nylon
5	2900499	4	Cap Screw, Hex Hd., 1/2-13 x 1-1/2"
6	2900058	4	Flat Washer, 1/2" SAE
7	2900026	4	Lock Nut, 1/2-13 Nylon
8	6010014	2	Handle Bar, 36" Long
9	2500636	2	Handle Grip
10	2501955	2	Handle Stop Grip
11	2900430	2	Hand Lock Knob, 1/2-13 x 1-1/2"
12	2500211	1	Wrench, 15/16" Open End
13	2500203	2	Grommet, 3/4" I.D.
14	2500549	1	Plug, 7/8" Hole
15	2501287	5	Plug, 7/16" Hole
16	1800169	1	Serial Number Plate, US
17	2900096	2	Rivet, 3/32" Dia.
18	1800377	1	Serial Number Plate, CE
19	2900287	2	Rivet, 1/8" Dia.
20	2501427	1	Cable Cleat
21	2900483	2	Tap Screw, Flat Hd., #10-24 x 1"
22	6010166	1	Gate Cover Bar
23	2900144	2	Cap Screw, Hex Hd., 1/4-20 x 3/4"
24	2900010	2	Lock Nut, 1/4-20 Nylon
25	6013042	2	Saw Weight, 57 Pound
26	2900521	8	Tap Bolt, Hex Hd., 3/8-16 x 2-1/2"
27	2900006	16	Lock Washer, 3/8" Split
28	2900033	16	Hex Nut, 3/8-16

## Instrument Panel Assembly #6010716



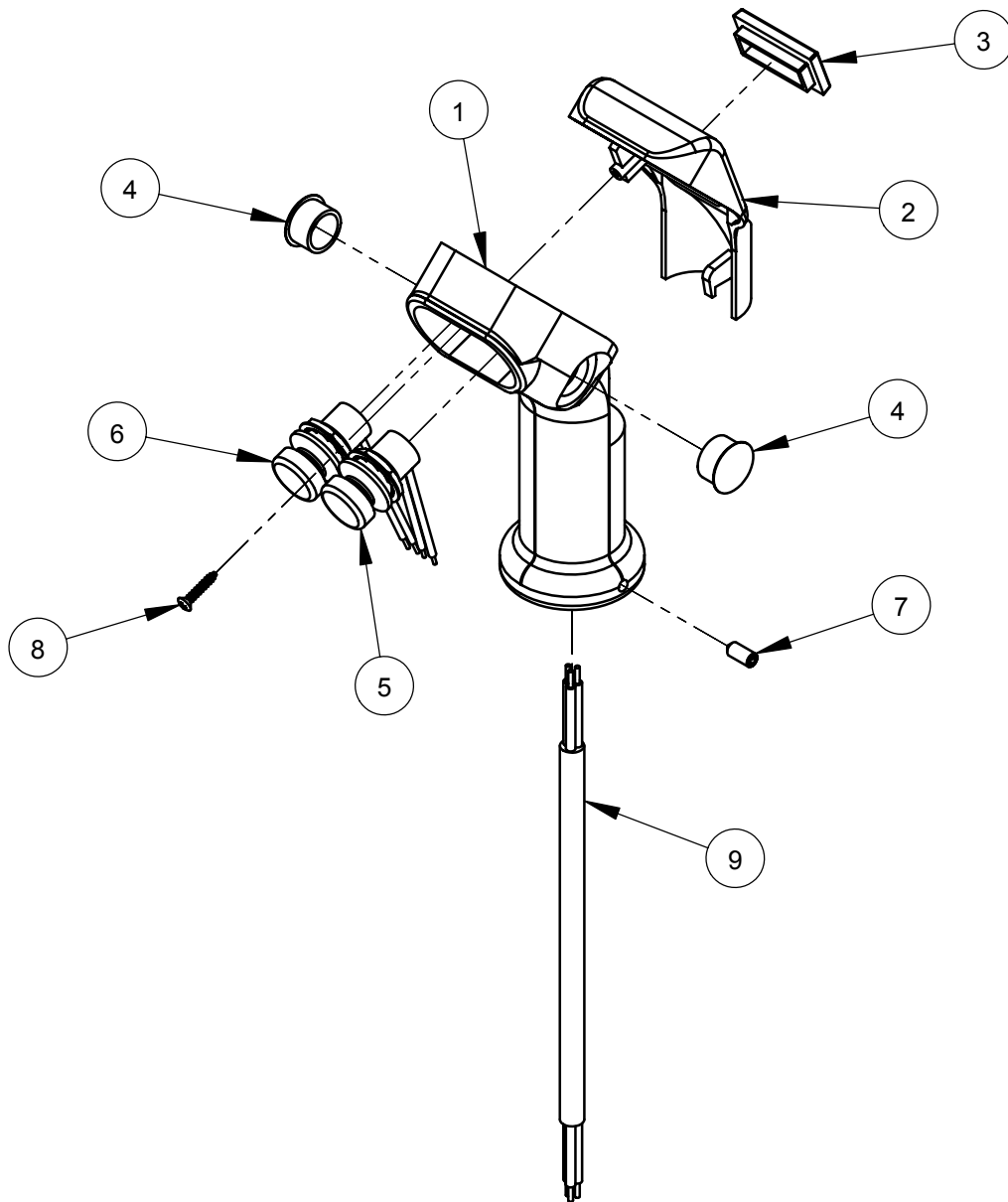
ITEM	PART NO.	QTY.	DESCRIPTION
1	6013093	1	Gauge Panel
2	2702333	1	Temperature Gauge
3	2700783	1	Ignition Switch
4	2701261	1	Ignition Key
5	2700785	1	Alternator Light
6	2700787	1	Oil Temperature Light
7	2700786	1	Oil Pressure Light
8	2500376	1	Vernier Throttle Cable
9	2800168	1	Blade Shaft Tach/Hour Meter
10	2800267	1	Light Kit for Tach/Hour Meter
11	6010019	1	Hydraulic Pump Cover Plate
12	2800461	1	Emergency Stop Button
13	2800462	1	Contact Block, N.C.
14	2900021	8	Tap Screw, Pan Hd., #10-24 x 3/8"
15	6010098	1	Switch Plate
16	2500204	3	Plug, 1/2" Hole
17	2900445	6	Tap Screw, Flat Hd., #10-24 x 1/2"
18	2500463	1	Plug, 3/4" Hole
19	6010101	2	Edge Trim
20	2800388	1	Fuse Panel, 6 Circuit
21	2800389	6	Fuse, 10 Amp Red ATO/ATC
22	2900913	2	Cap Screw, Soc. Hd., #10-24 x 1"
23	2900017	2	Lock Nut, #10-24 Nylon

## Throttle Cable Assembly #6010729



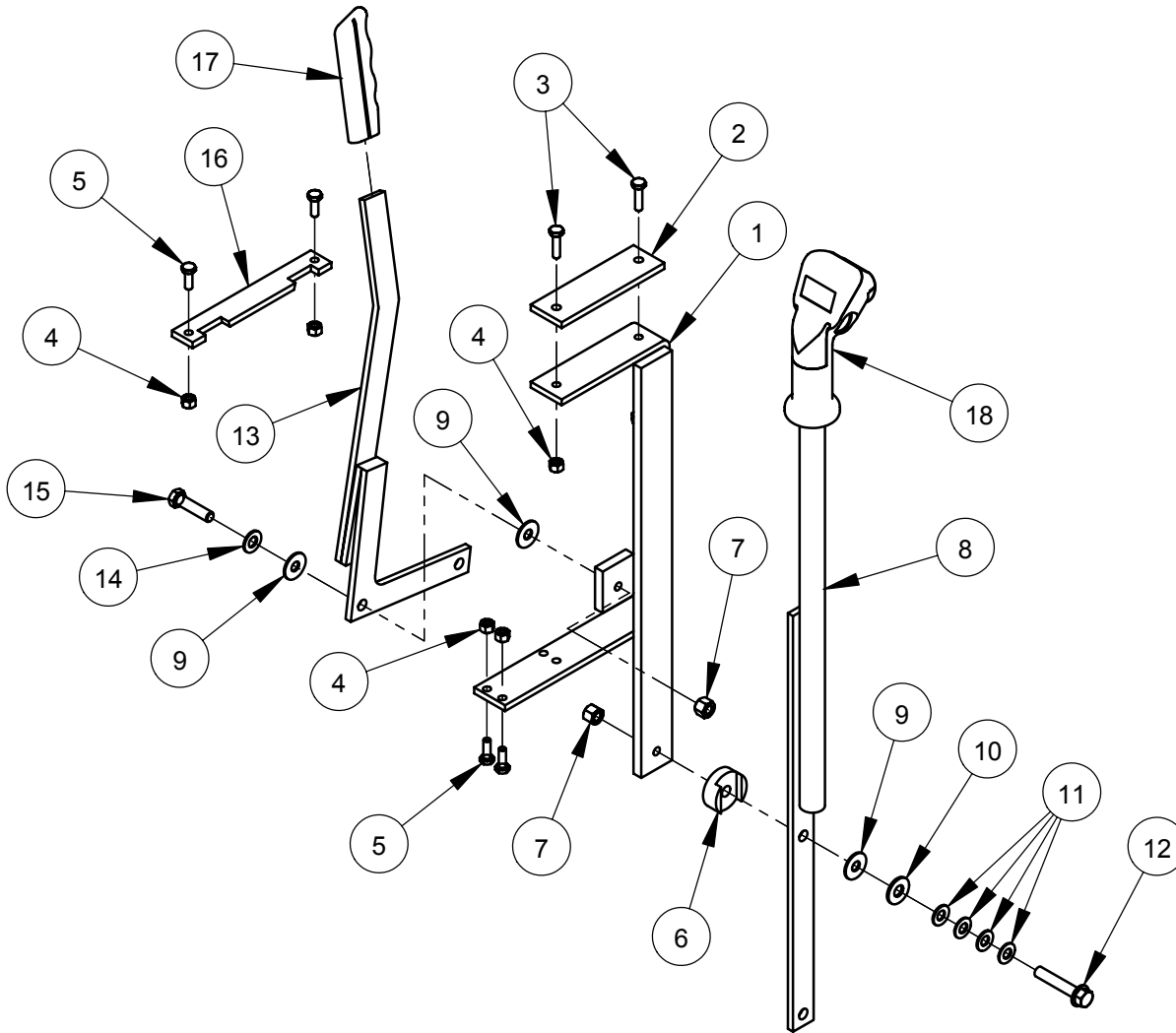
ITEM	PART NO.	QTY.	DESCRIPTION
1	6010523	1	Throttle Bracket
2	2500940	1	Throttle Cable Clamp
3	2900015	2	Machine Screw, Hex Hd., #10-24 x 3/4"
4	2900017	2	Lock Nut, #10-24 Nylon
5	2900310	4	Cap Screw, Hex Hd., M6 x 20mm
6	2900302	2	Lock Nut, M6 Nylon
7	6013029	1	Throttle Arm
8	2900024	2	Lock Washer, 1/4" Split
9	6048212	1	Pivot Pin
10	2900059	1	Set Screw, Soc. Hd., #10-32 x 1/4"
11	2900034	1	Cotter Pin, 3/32" x 3/4"
12	2501434	1	Hose Clamp, 1/2" x 3/4" Wide
13	2900022	1	Flat Washer, 5/16" SAE
14	2900031	1	Lock Washer, 5/16" Split
15	2900360	1	Cap Screw, Hex Hd., M8 x 25mm
16	2500376	1	Vernier Throttle Cable

## Control Grip Assembly #6010319



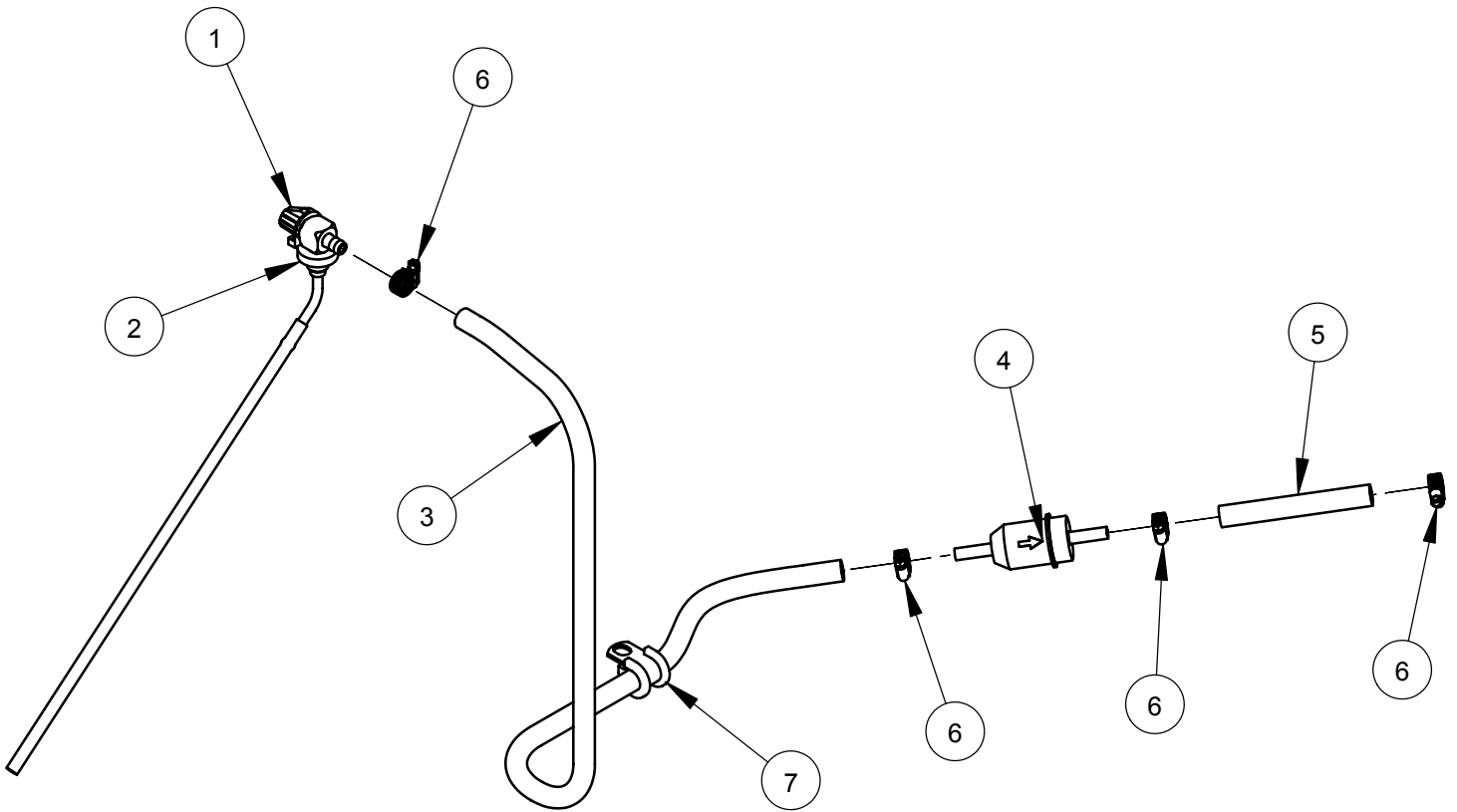
ITEM	PART NO.	QTY.	DESCRIPTION
1	2501280	1	Control Grip Body
2	2501281	1	Control Grip Cover
3	2500644	1	Plug, Rectangular
4	2500694	2	Plug, 5/8" Hole
5	2800372	1	Pushbutton Switch, Raise
6	2800373	1	Pushbutton Switch, Lower
7	2900453	1	Set Screw, Soc. Hd., M5 x 12mm
8	2900452	1	Machine Screw, Oval Hd., #4 x 5/8"
9	2800393	1	Harness, Hydraulic Pump

## Control Lever Assembly #6010719 (Eaton)



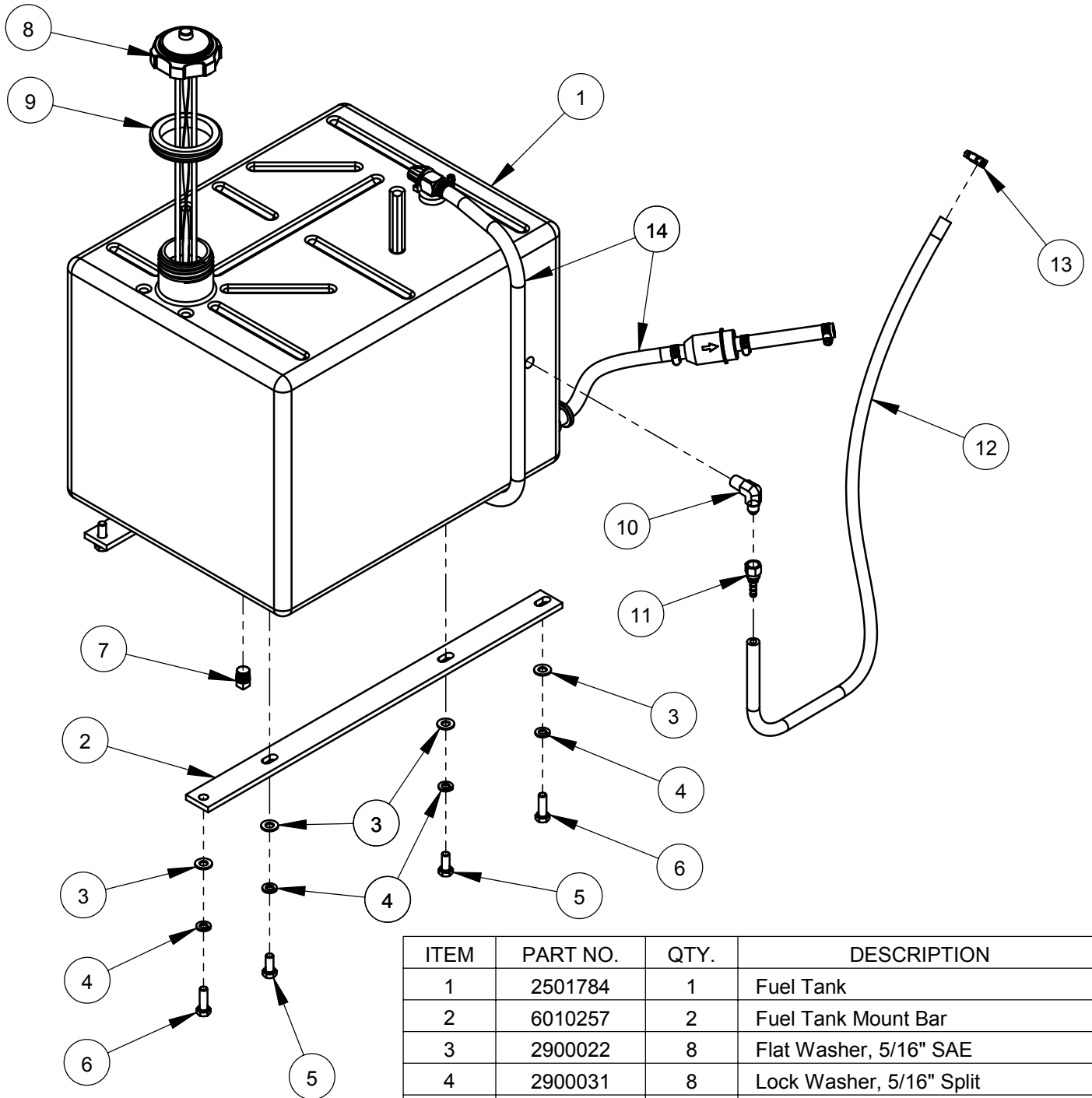
ITEM	PART NO.	QTY.	DESCRIPTION
1	6010056	1	Lever Support Weldment
2	2501339	1	Rubber Support Mount
3	2900008	2	Cap Screw, Hex Hd., 1/4-20 x 1"
4	2900010	6	Lock Nut, 1/4-20 Nylon
5	2900144	4	Cap Screw, Hex Hd., 1/4-20 x 3/4"
6	6010055	1	Friction Spacer
7	2900018	2	Lock Nut, 3/8-16 Nylon
8	6010314	1	Speed Control Lever
9	2900153	3	Friction Washer, 3/8"
10	2900473	1	Flat Washer, 3/8" USS
11	2900474	4	Belleville Washer, 3/8"
12	2900472	1	Cap Screw, Hex Flange Hd., 3/8-16 x 2"
13	6010057	1	Engagement Lever Weldment
14	2900014	1	Flat Washer, 3/8" SAE
15	2900029	1	Cap Screw, Hex Hd., 3/8-16 x 1-1/2"
16	6010058	1	Gate Plate
17	2500002	1	Lever Grip
18	6010319	1	Control Grip Assembly

## Fuel Supply Assembly #6010699



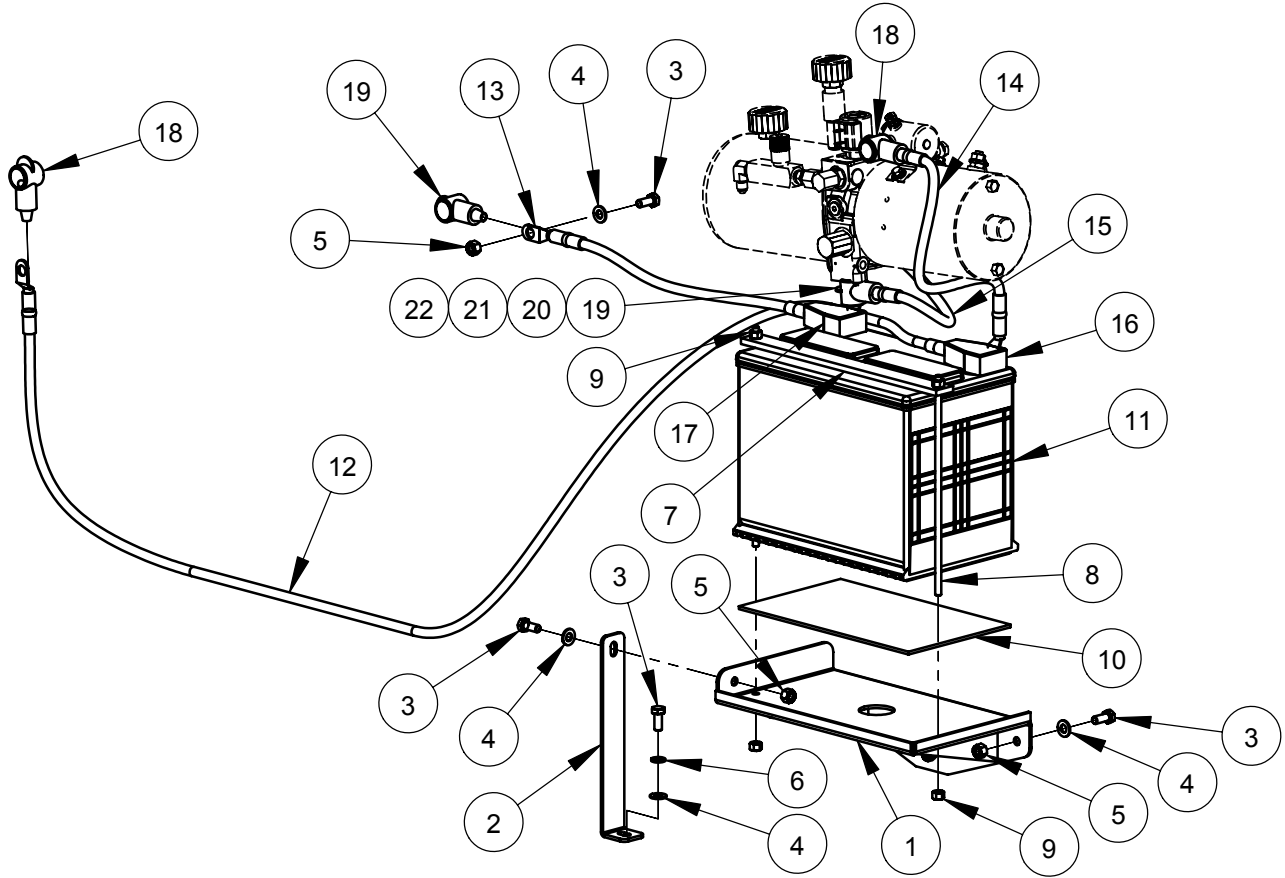
ITEM	PART NO.	QTY.	DESCRIPTION
1	2501777	1	Fuel Valve w/Pick-Up
2	2501215	1	Bushing, Rubber, Tank
3	6010693	1	Fuel Supply Hose, 5/16" I.D. x 30"
4	2501785	1	Filter, Diesel Fuel
5	6013095	1	Fuel Line Hose, 5/16" I.D. x 4"
6	3200062	4	Hose Clamp #4
7	2501434	1	Hose Clamp, 1/2" x 3/4" Wide

## Fuel Tank Assembly #6010700



ITEM	PART NO.	QTY.	DESCRIPTION
1	2501784	1	Fuel Tank
2	6010257	2	Fuel Tank Mount Bar
3	2900022	8	Flat Washer, 5/16" SAE
4	2900031	8	Lock Washer, 5/16" Split
5	2900019	4	Cap Screw, Hex Hd., 5/16-18 x 3/4"
6	2900138	4	Cap Screw, Hex Hd., 5/16-18 x 1"
7	3200206	1	Pipe Plug, 1/4" NPT
8	2500649	1	Fuel Tank Cap
9	2500205	1	Fuel Tank Grommet
10	3200057	1	Elbow, 1/4" M. Pipe to 1/4" M. JIC
11	3200091	1	Fitting, 1/4" F. JIC to 1/4" Push Lock
12	6010103	1	Fuel Return Hose, 1/4" I.D. x 32"
13	3200062	1	Hose Clamp #4
14	6010699	1	Fuel Supply Assembly

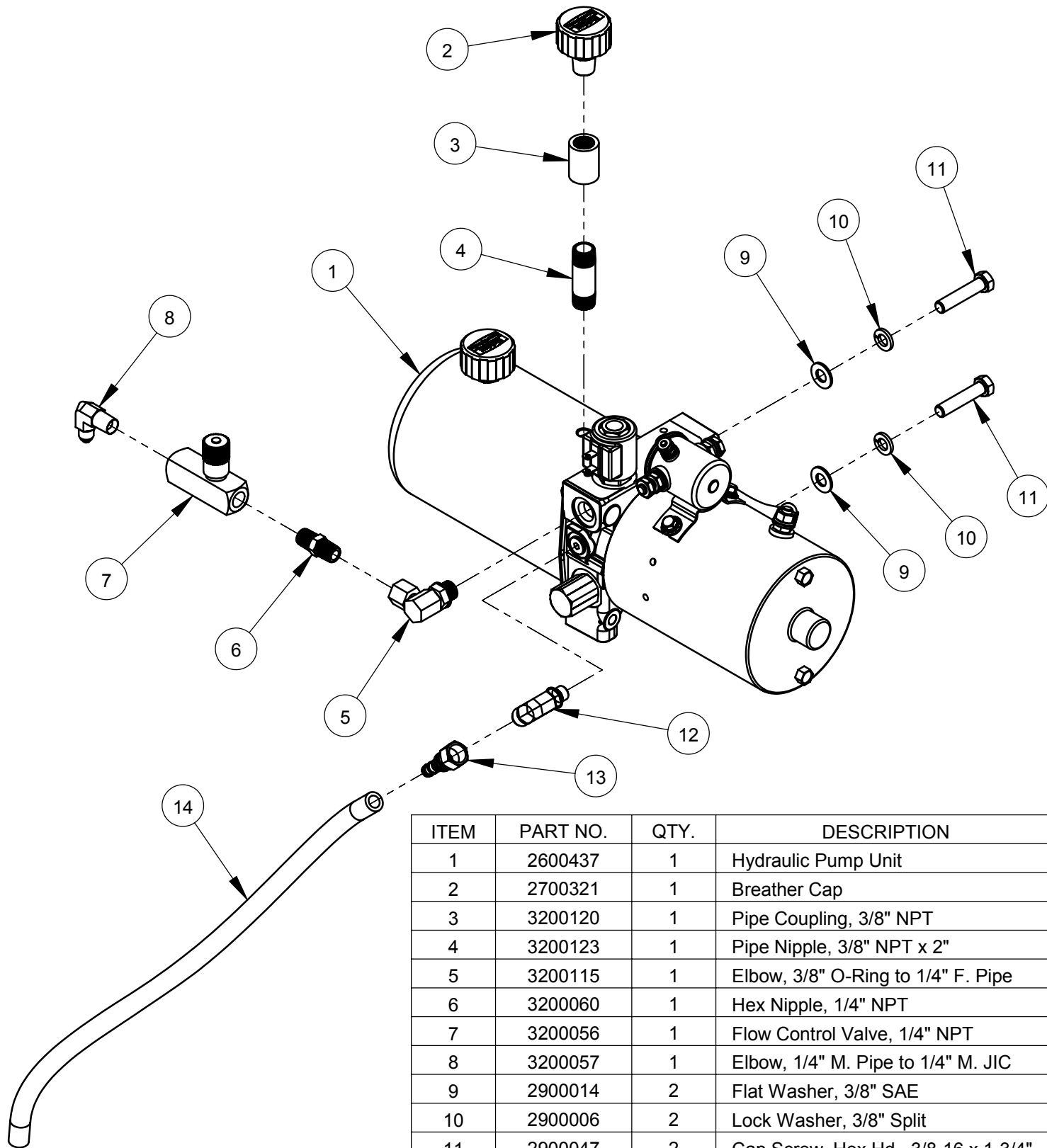
## Battery Assembly #6010721



ITEM	PART NO.	QTY.	DESCRIPTION
1	6010670	1	Battery Platform
2	6010554	1	Battery Support Brace
3	2900019	6	Cap Screw, Hex Hd., 5/16-18 x 3/4"
4	2900022	6	Flat Washer, 5/16" SAE
5	2900039	5	Lock Nut, 5/16-18 Nylon
6	2900031	1	Lock Washer, 5/16" Split
7	6010017	1	Battery Top Brace
8	6010344	2	Rod, 1/4-20 x 9-1/2"
9	2900010	4	Lock Nut, 1/4-20 Nylon
10	6010016	1	Battery Pad
11	2800465	1	Battery, 12 Volt Group Size 24
12	2800073	1	Battery Cable, Positive (Red)
13	2800072	1	Battery Cable, Negative (Black)
14	2800095	1	Battery Cable, 14" Positive (Red)
15	2800182	1	Battery Cable, 14" Negative (Black)
16	2800256	1	Battery Boot, Large (Red)
17	2800257	1	Battery Boot, Large (Black)
18	2800197	2	Battery Boot, Small (Red)
19	2800198	2	Battery Boot, Small (Black)
20	2900014	1	Flat Washer, 3/8" SAE
21	2900006	1	Lock Washer, 3/8" Split
22	2900196	1	Cap Screw, Hex Hd., 3/8-16 x 3/4"

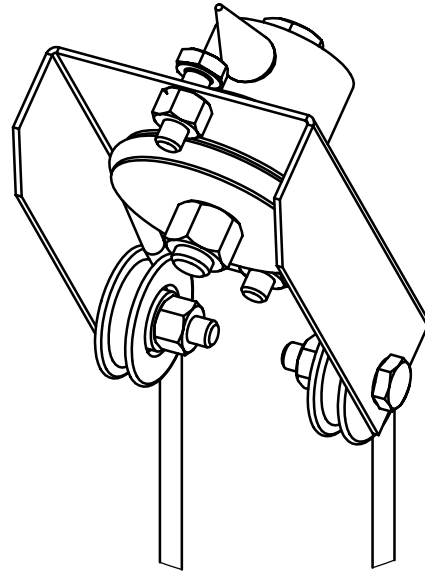
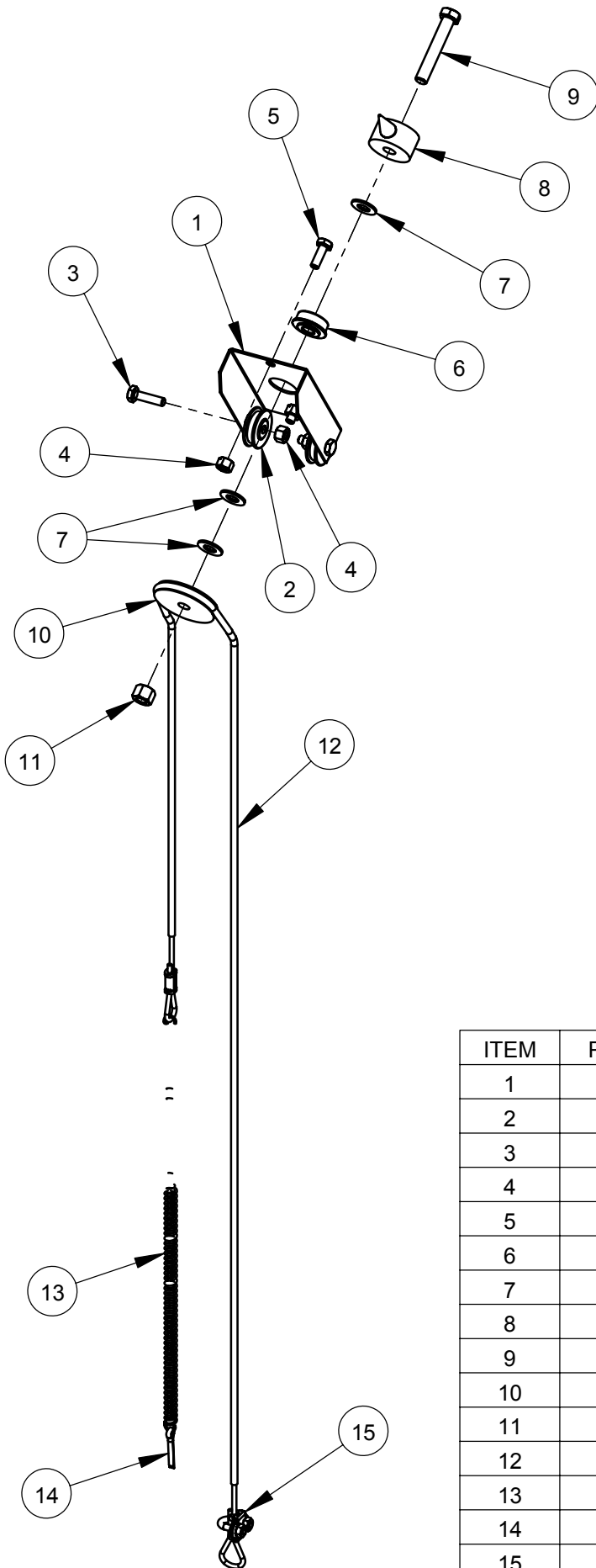


## Hydraulic Pump Assembly #6010383 (Includes Items #1 - #11)



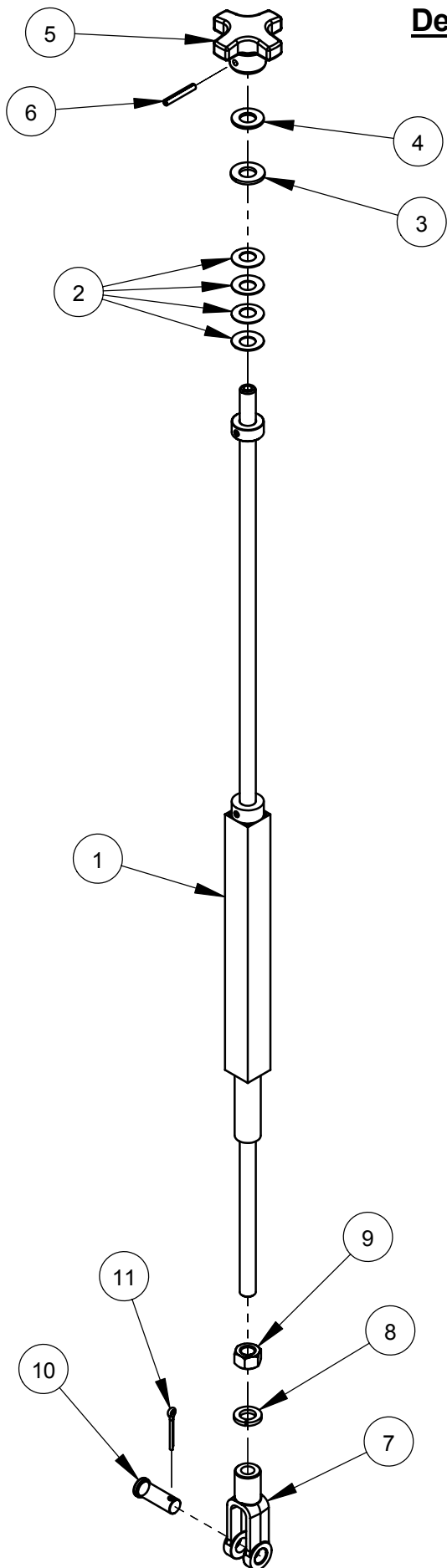
ITEM	PART NO.	QTY.	DESCRIPTION
1	2600437	1	Hydraulic Pump Unit
2	2700321	1	Breather Cap
3	3200120	1	Pipe Coupling, 3/8" NPT
4	3200123	1	Pipe Nipple, 3/8" NPT x 2"
5	3200115	1	Elbow, 3/8" O-Ring to 1/4" F. Pipe
6	3200060	1	Hex Nipple, 1/4" NPT
7	3200056	1	Flow Control Valve, 1/4" NPT
8	3200057	1	Elbow, 1/4" M. Pipe to 1/4" M. JIC
9	2900014	2	Flat Washer, 3/8" SAE
10	2900006	2	Lock Washer, 3/8" Split
11	2900047	2	Cap Screw, Hex Hd., 3/8-16 x 1-3/4"
12	3200116	1	Elbow, 1/4" O-Ring to 3/8" M. JIC
13	3200046	1	Fitting, 3/8" F. JIC to 3/8" Push Lock
14	6010059	1	Clear Hose, 3/8" I.D. x 19"

## Depth Indicator Assembly #6010214



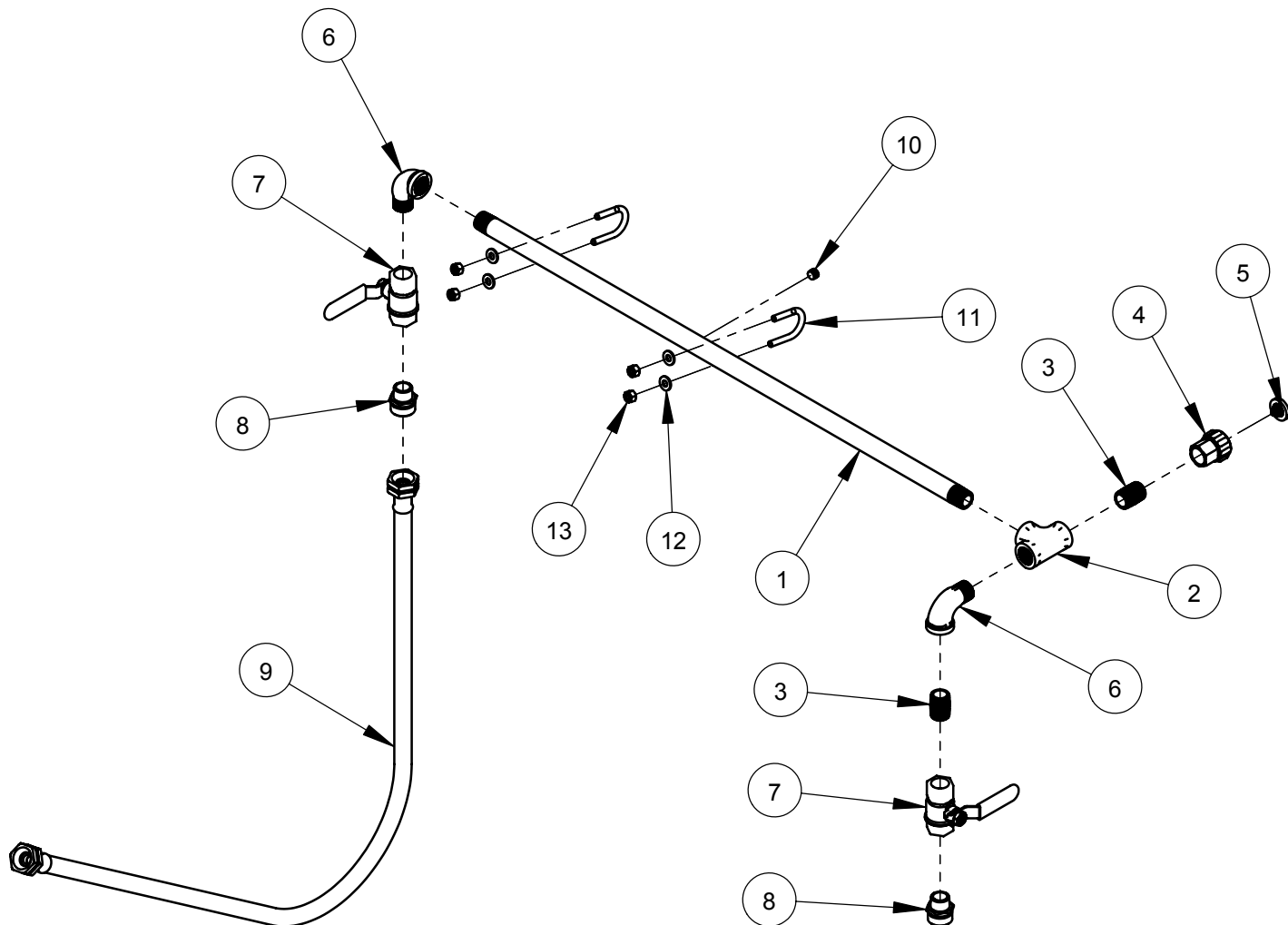
ITEM	PART NO.	QTY.	DESCRIPTION
1	6010092	1	Depth Indicator Mount Bracket
2	2500155	2	Cable Pulley, 1-1/4"
3	2900008	2	Cap Screw, Hex Hd., 1/4-20 x 1"
4	2900010	4	Lock Nut, 1/4-20 Nylon
5	2900144	2	Cap Screw, Hex Hd., 1/4-20 x 3/4"
6	2500145	1	Flange Bearing, 3/8"
7	2900014	3	Flat Washer, 3/8" SAE
8	6010091	1	Depth Indicator Pointer
9	2900079	1	Cap Screw, Hex Hd., 3/8-16 x 2-1/4"
10	6010093	1	Cable Pulley, 2"
11	2900018	1	Lock Nut, 3/8-16 Nylon
12	6010094	1	Depth Indicator Cable with Crimp, 48"
13	2500196	1	Spring, 3/8" x 15"
14	2900055	1	Cotter Pin, 3/16" x 1"
15	2500214	1	Cable Clamp

## Depth Stop Assembly #6010215



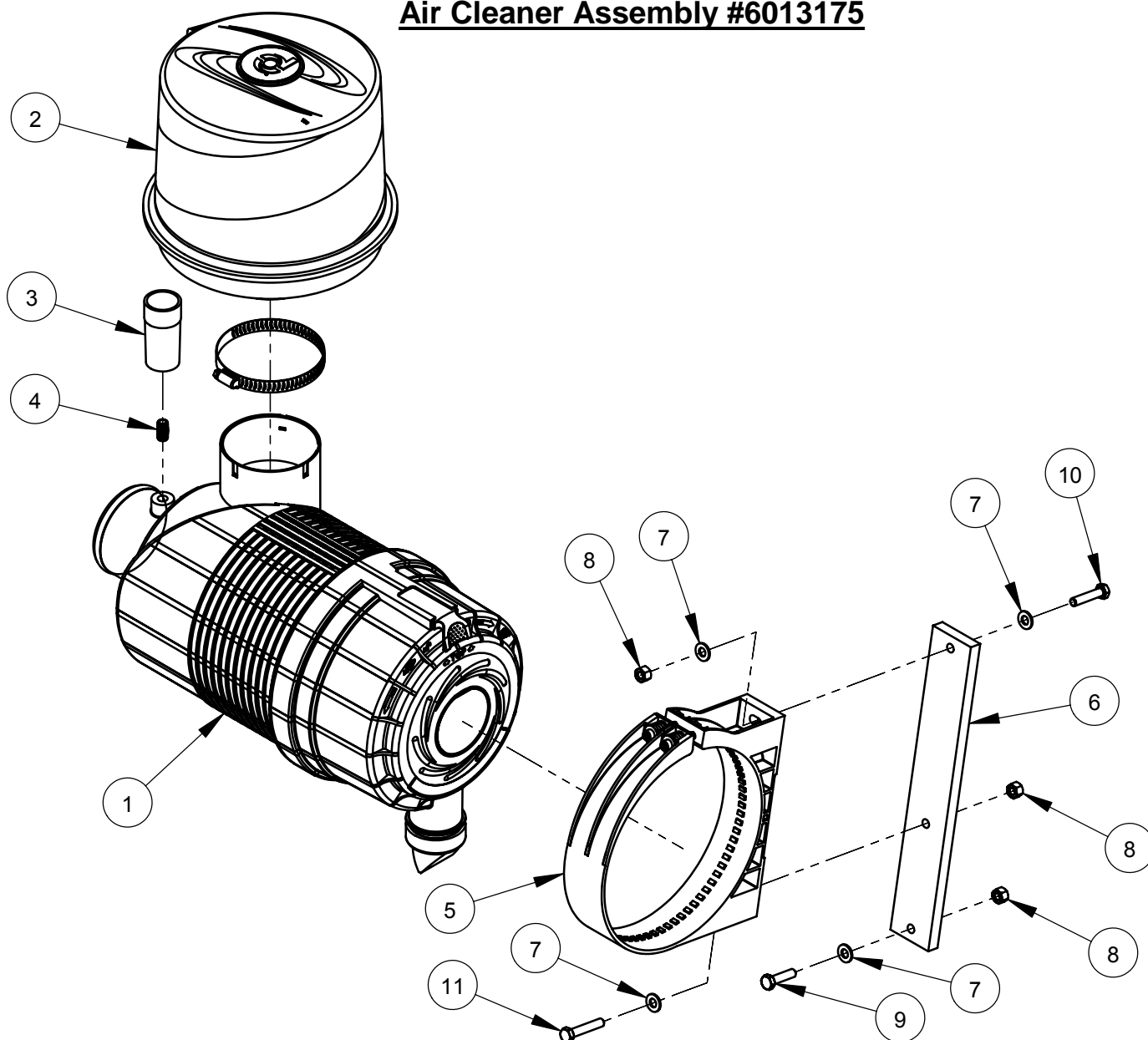
ITEM	PART NO.	QTY.	DESCRIPTION
1	6010097	1	Depth Stop Weldment
2	2900665	4	Belleville Washer, 1/2"
3	2900058	1	Flat Washer, 1/2" SAE
4	2900239	1	Friction Washer, 1/2"
5	6010095	1	Depth Stop Knob
6	2900132	1	Roll Pin, 3/16" x 1-1/4"
7	2900158	1	Yoke, 1/2-13
8	2900084	1	Lock Washer, 1/2" Split
9	2900037	1	Hex Nut, 1/2-13
10	2900007	1	Clevis Pin, 1/2" Dia. x 1-3/8"
11	2900004	1	Cotter Pin, 3/32" x 3/4"

## Water Supply Assembly #6010718



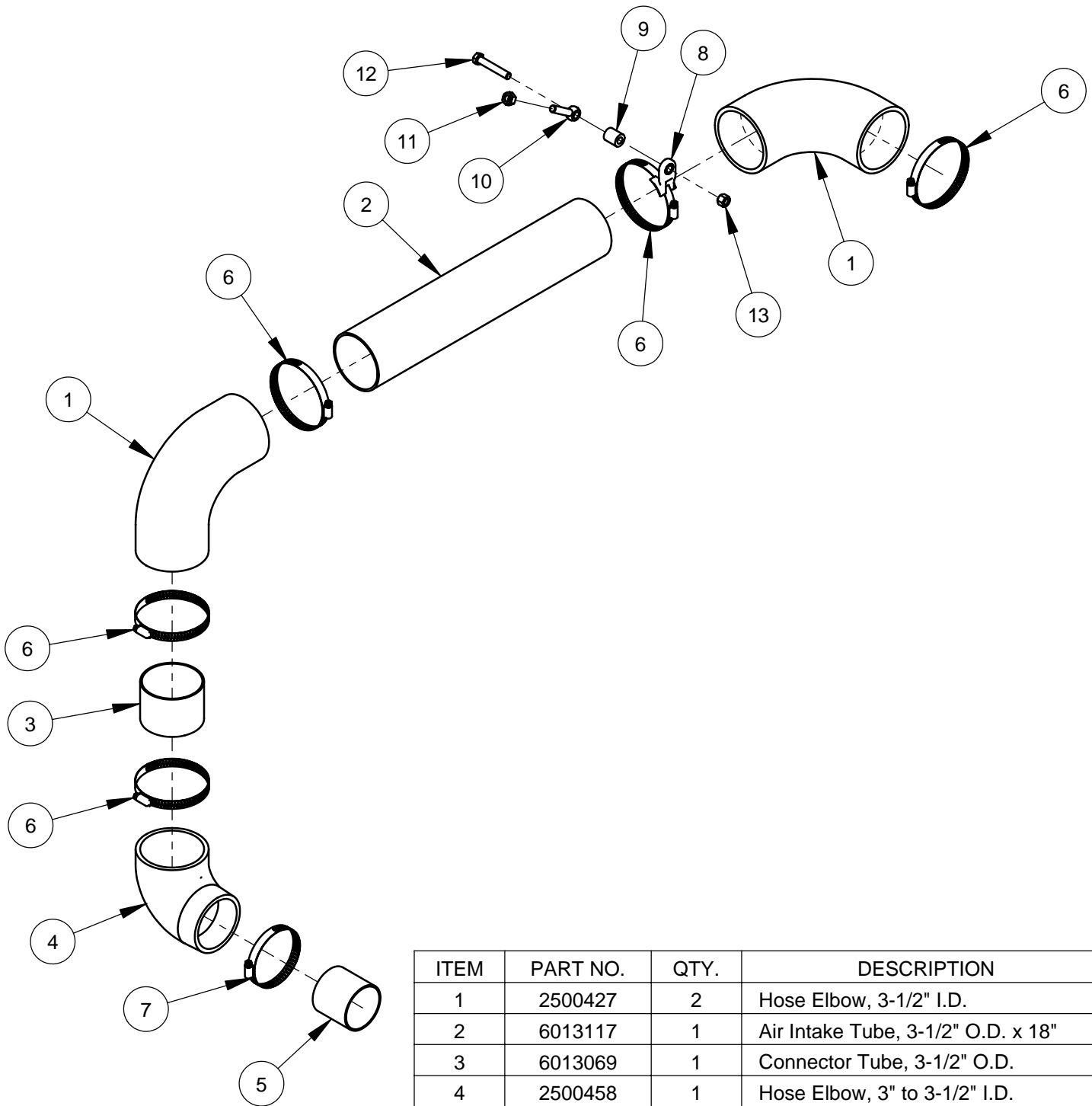
ITEM	PART NO.	QTY.	DESCRIPTION
1	6090069	1	Water Supply Tube
2	3200045	1	Pipe Tee, 1/2" NPT
3	3200008	2	Close Nipple, 1/2" NPT
4	3200022	1	Fitting, 1/2" F. Pipe to 3/4" F. Garden
5	3200025	1	Hose Filter Washer
6	3200013	2	Street Elbow, 1/2" NPT
7	3200027	2	Water Valve
8	3200155	2	Fitting, 1/2" M. Pipe to 3/4" M. Garden
9	6010021	1	Water Hose Assembly, 42" Long
10	3200001	1	Plug, 1/8" NPT
11	2900241	2	U-Bolt, 1/2" Pipe
12	2900009	4	Flat Washer, 1/4" SAE
13	2900010	4	Lock Nut, 1/4-20 Nylon

## Air Cleaner Assembly #6013175



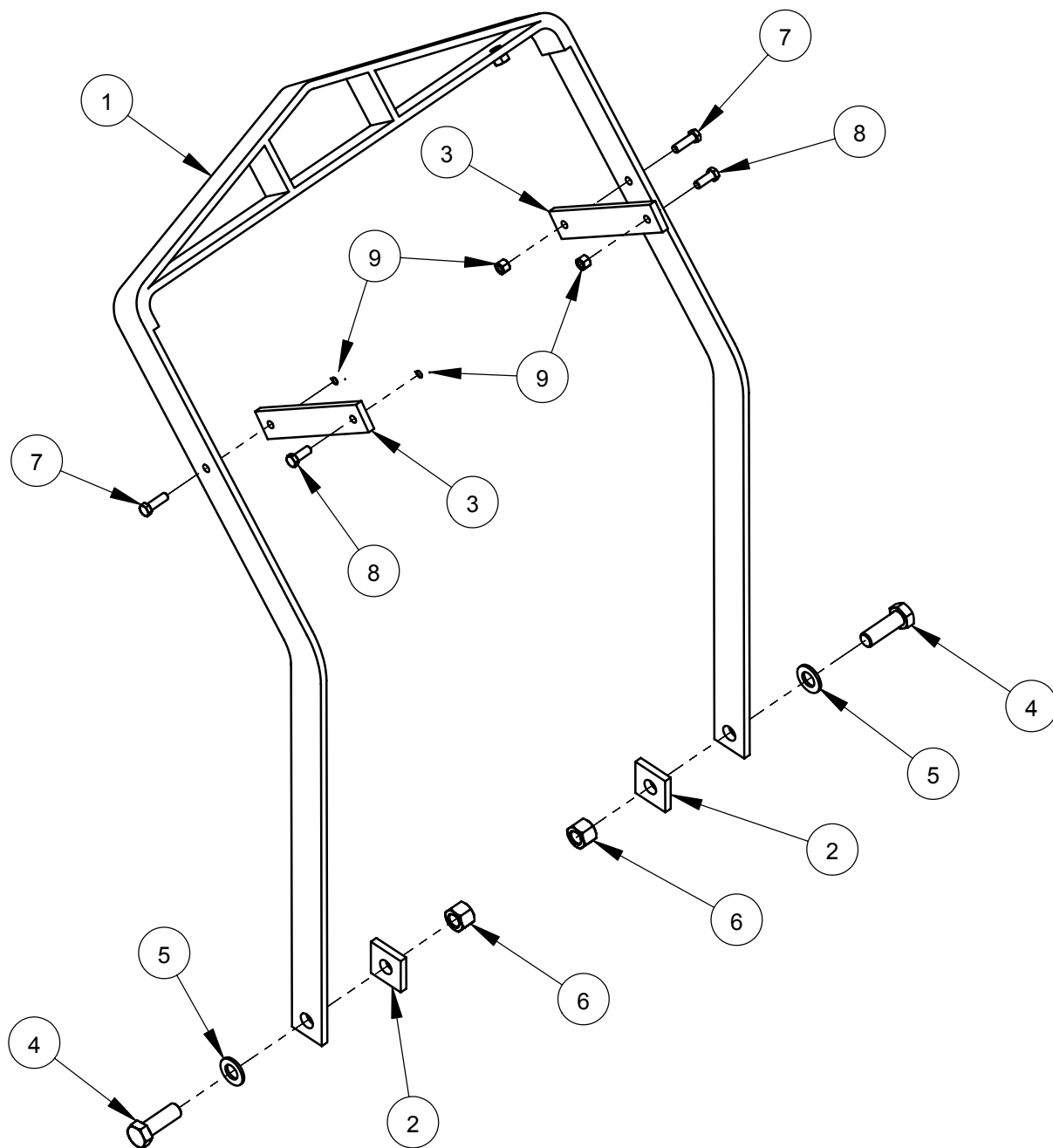
ITEM	PART NO.	QTY.	DESCRIPTION
1	2501350	1	Air Cleaner Complete
	2501352	1	Outer Primary Filter
	2501353	1	Inner Safety Filter
	2500239	1	Rubber Dust Ejector Boot
2	2501447	1	Pre-Cleaner with Clamp
3	2500423	1	Restriction Indicator
4	3200117	1	Close Nipple, 1/8" NPT
5	2501351	1	Mounting Band, Polymer
6	6013126	1	Air Cleaner Mount
7	2900022	4	Flat Washer, 5/16" SAE
8	2900039	3	Lock Nut, 5/16-18 Nylon
9	2900217	1	Cap Screw, Hex Hd., 5/16-18 x 1-1/4"
10	2900508	1	Cap Screw, Hex Hd., 5/16-18 x 1-1/2"
11	2900538	1	Cap Screw, Hex Hd., 5/16-18 x 1-3/4"

## Air Intake Assembly #6013176



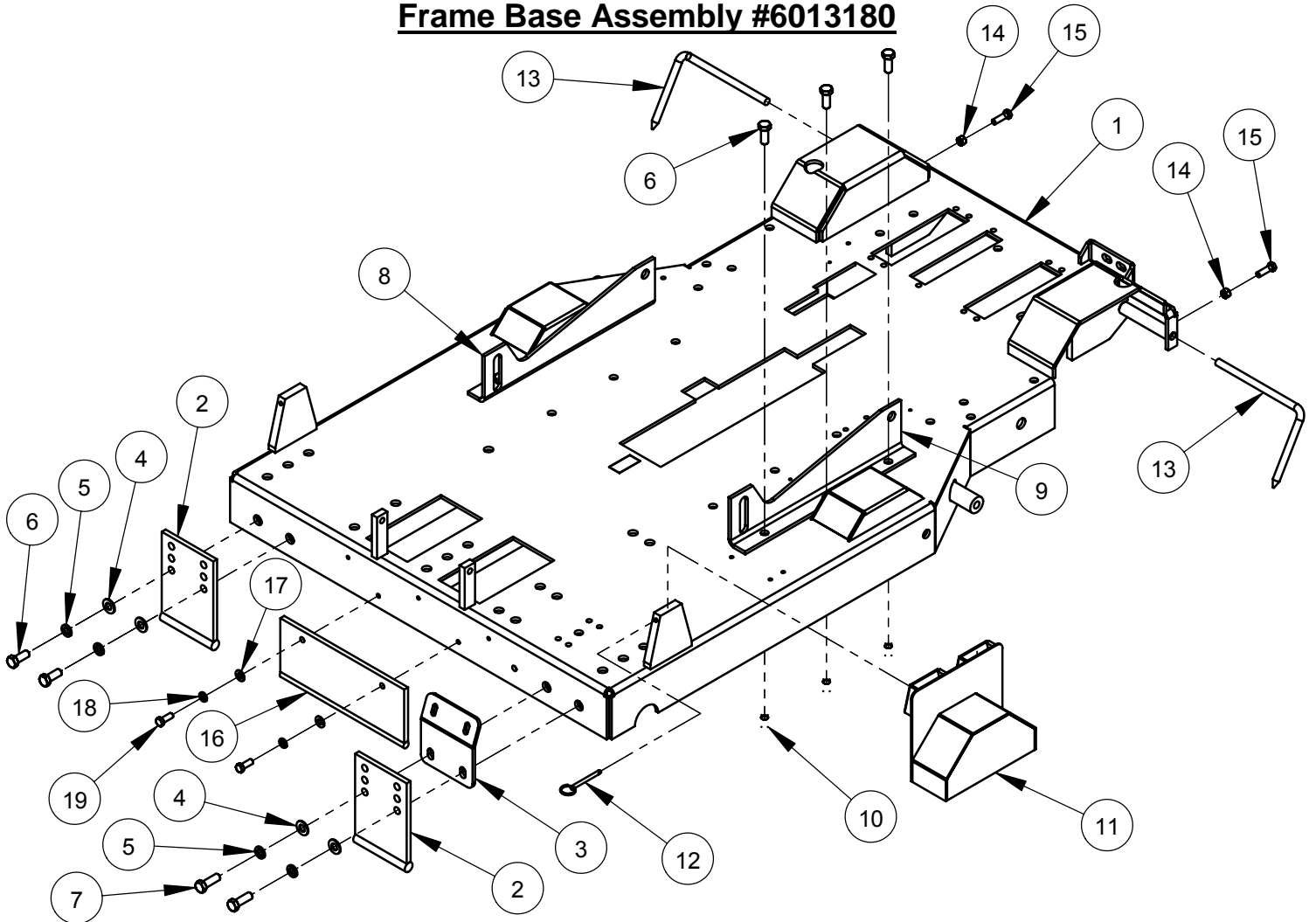
ITEM	PART NO.	QTY.	DESCRIPTION
1	2500427	2	Hose Elbow, 3-1/2" I.D.
2	6013117	1	Air Intake Tube, 3-1/2" O.D. x 18"
3	6013069	1	Connector Tube, 3-1/2" O.D.
4	2500458	1	Hose Elbow, 3" to 3-1/2" I.D.
5	6013118	1	Connector Tube, 2-3/4" O.D.
6	3200198	5	Hose Clamp #64
7	3200197	1	Hose Clamp #52
8	2501753	1	Hose Mount Support
9	6010515	1	Spacer, 7/8" Long
10	2900592	1	Eyebolt, M10 x 50mm
11	2900325	1	Hex Nut, M10
12	2900079	1	Cap Screw, Hex Hd., 3/8-16 x 2-1/4"
13	2900018	1	Lock Nut, 3/8-16 Nylon

## Frame Lift Assembly #6013189



ITEM	PART NO.	QTY.	DESCRIPTION
1	6013051	1	Frame Lift
2	6013053	2	Frame Lift Spacer
3	6013156	2	Frame Lift Brace
4	2900465	2	Cap Screw, Hex Hd., 3/4-10 x 2-1/4"
5	2900003	2	Flat Washer, 3/4" SAE
6	2900467	2	Lock Nut, 3/4-10 Nylon
7	2900013	2	Cap Screw, Hex Hd., 3/8-16 x 1-1/4"
8	2900005	2	Cap Screw, Hex Hd., 3/8-16 x 1"
9	2900018	4	Lock Nut, 3/8-16 Nylon

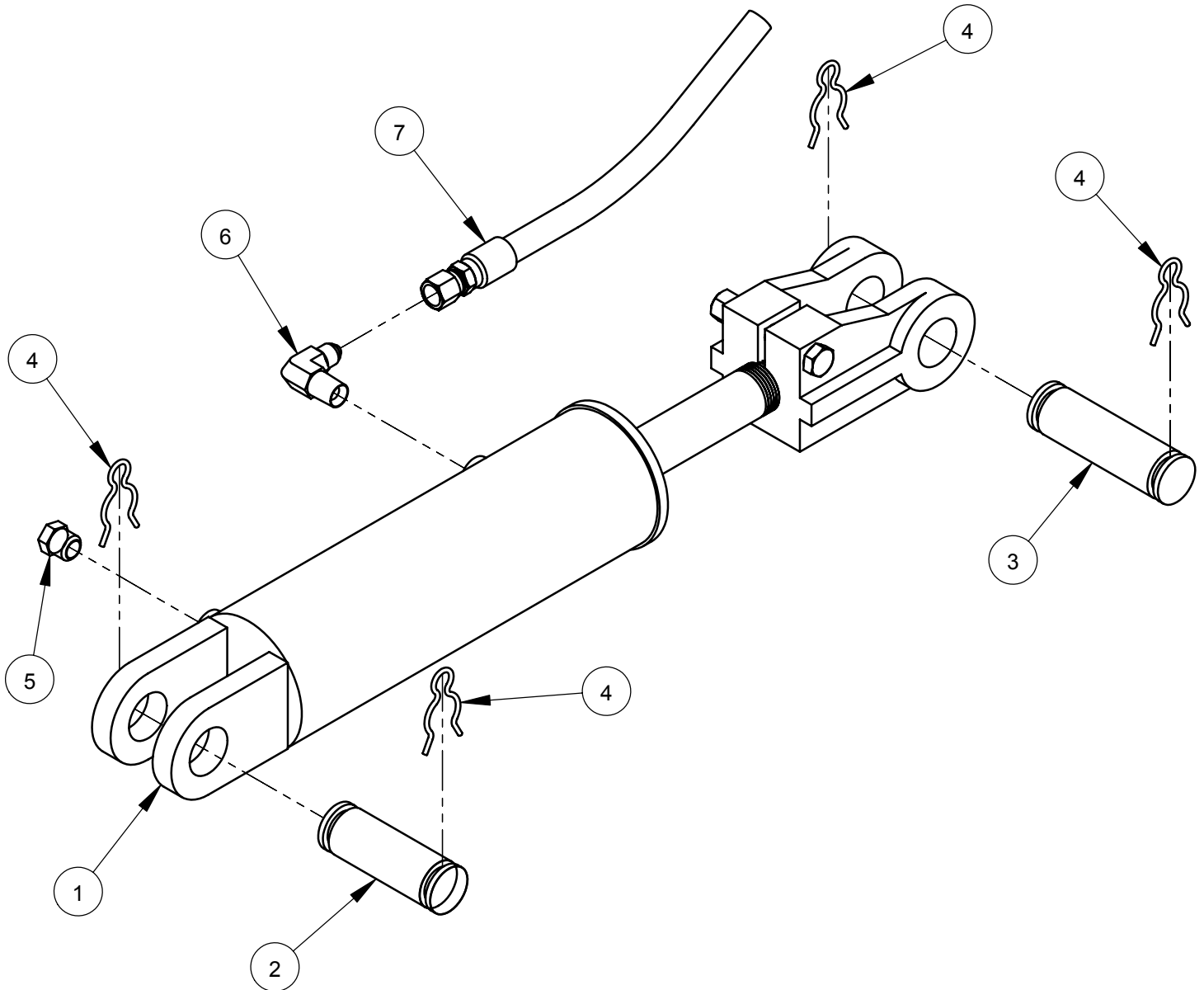
## Frame Base Assembly #6013180



ITEM	PART NO.	QTY.	DESCRIPTION
1	6013000A	1	Frame Base
2	6013165	2	Skid Plate
3	6013164	1	Guard Attachment Plate (20 degree)
4	2900058	4	Flat Washer, 1/2" SAE
5	2900084	4	Lock Washer, 1/2" Split
6	2900025	8	Cap Screw, Hex Hd., 1/2-13 x 1-1/4"
7	2900499	2	Cap Screw, Hex Hd., 1/2-13 x 1-1/2"
8	6013034	1	Engine Mount R.H.
9	6013033	1	Engine Mount L.H.
10	2900026	6	Lock Nut, 1/2-13 Nylon
11	6010645	1	Shaft/Flange Guard (Wide)
12	2900156	1	Lock Pin with Ring
13	6010683	2	Rear Pointer Rod
14	2900033	2	Hex Nut, 3/8-16
15	2900013	2	Cap Screw, Hex Hd., 3/8-16 x 1-1/4"
16	6013115	1	Sheave Guard
17	2900014	2	Flat Washer, 3/8" SAE
18	2900006	2	Lock Washer, 3/8" Split
19	2900005	2	Cap Screw, Hex Hd., 3/8-16 x 1"

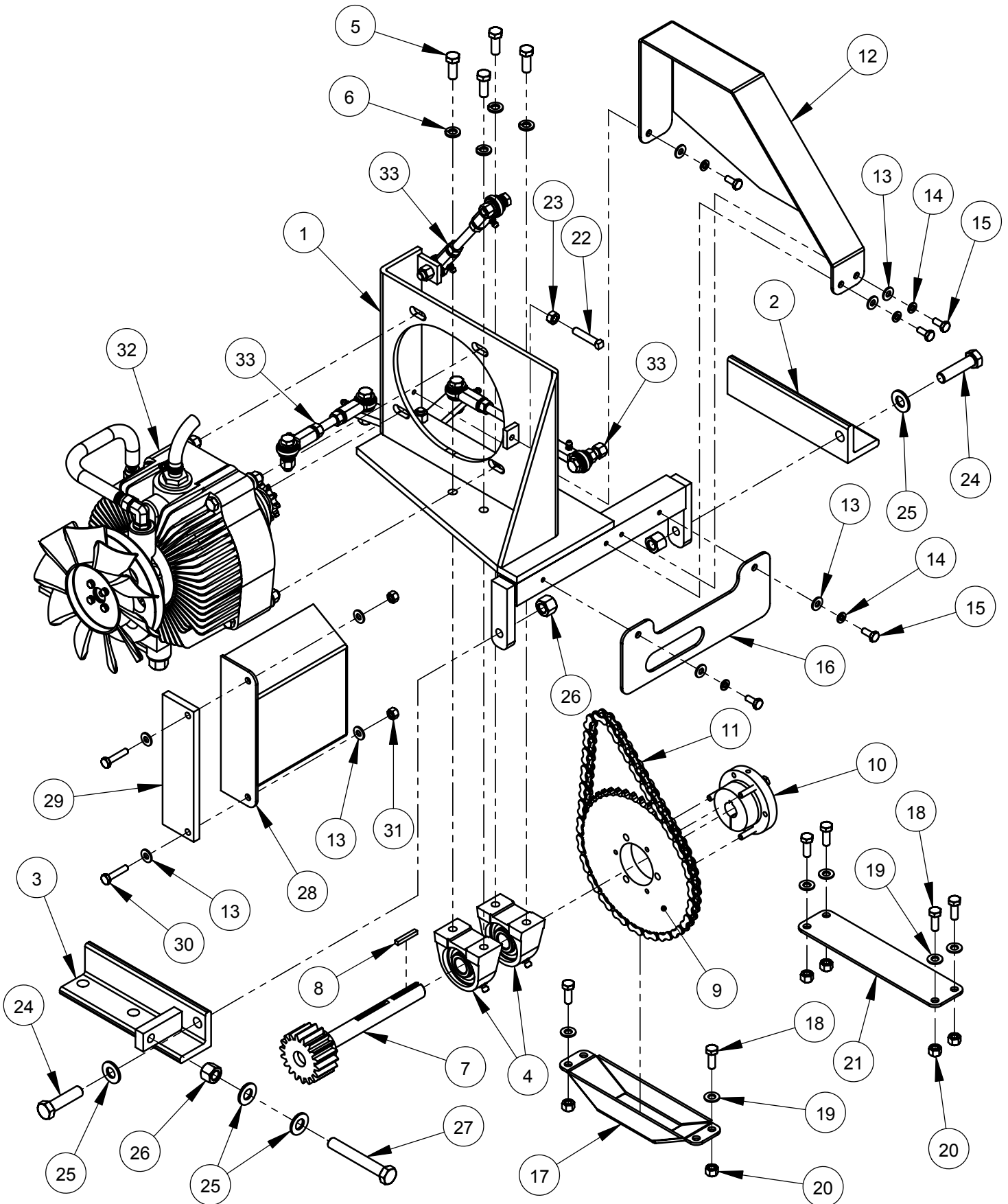


## Hydraulic Cylinder Assembly #6013170



ITEM	PART NO.	QTY.	DESCRIPTION
1	2500555	1	Hydraulic Cylinder
2	6010031	1	Cylinder Pin, 3"
3	6010119	1	Cylinder Pin, 3-1/2"
4	2900064	4	Hair Pin Cotter, 3/4"
5	3200067	1	Cylinder Breather, 1/4" NPT
6	3200057	1	Elbow, 1/4" M. Pipe to 1/4" M. JIC
7	3200054	1	Hose Assembly, 32" Long

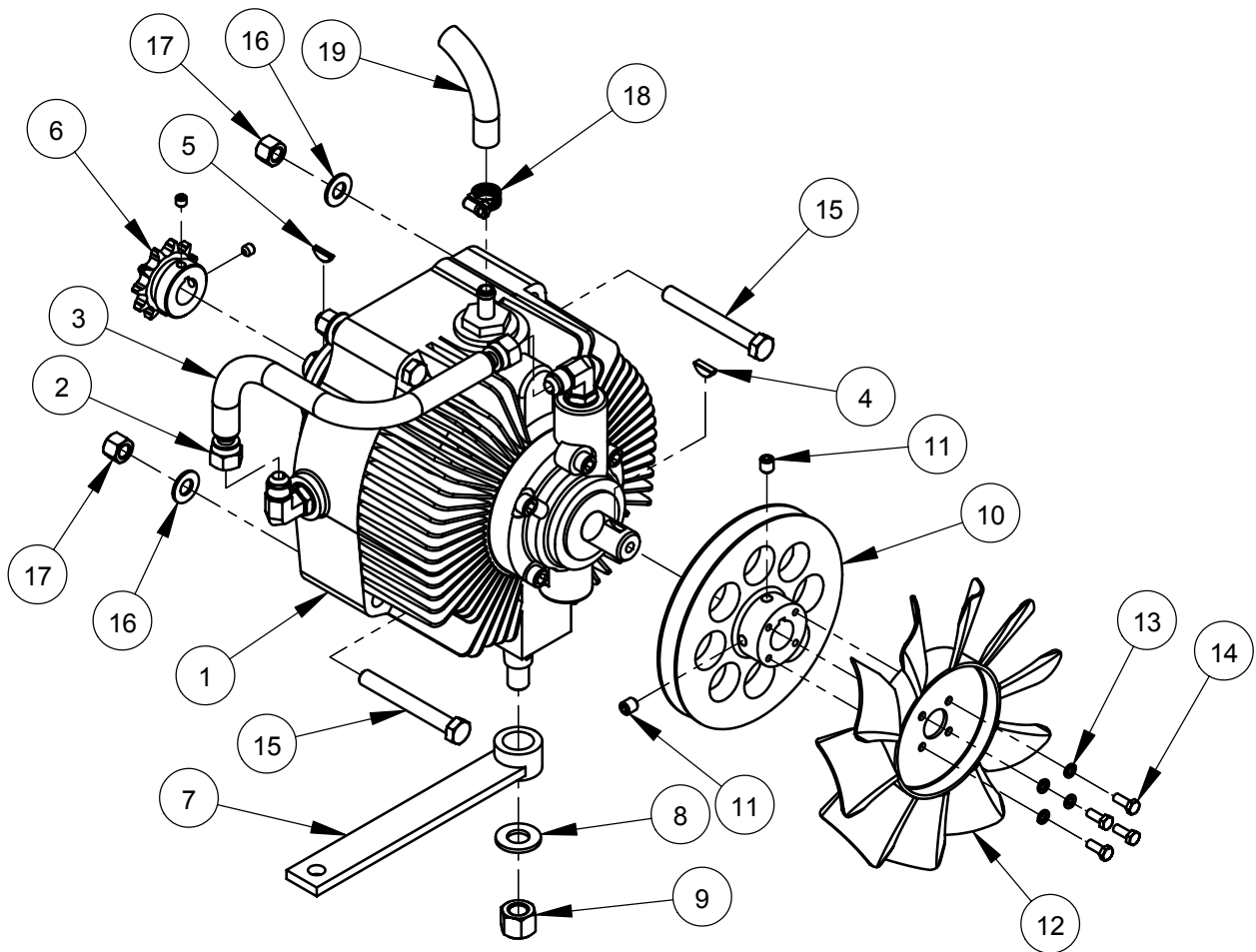
# Rear Drive Assembly #6013178 (Eaton)



## Rear Drive Assembly #6013178 (Eaton)

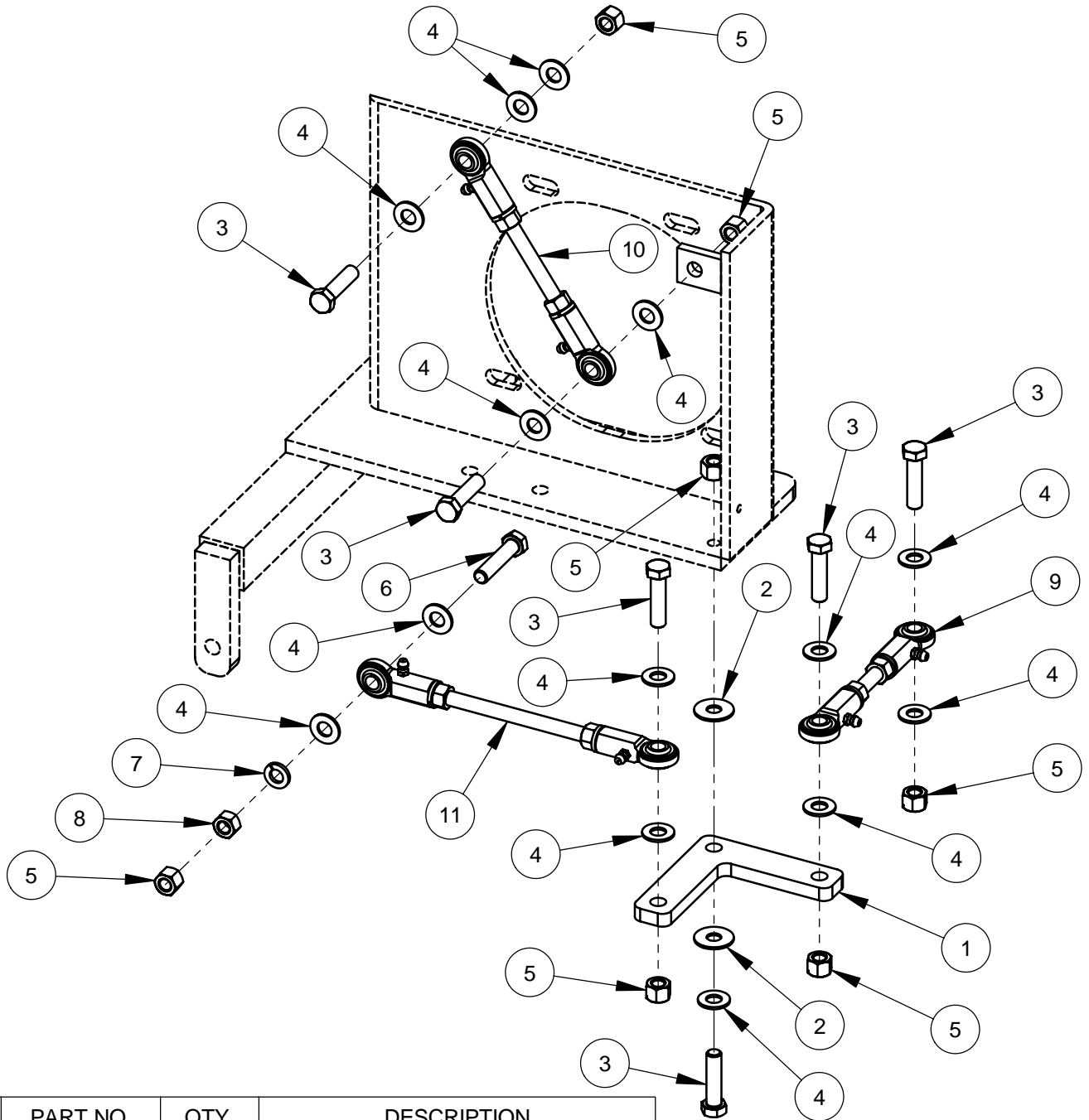
ITEM	PART NO.	QTY.	DESCRIPTION
1	6010068	1	Transmission Platform Weldment
2	6010027	1	Mount Foot, Right Hand
3	6010028	1	Mount Foot, Left Hand
4	2500159	2	Pillow Block Bearing, 3/4"
5	2900005	4	Cap Screw, Hex Hd., 3/8-16 x 1"
6	2900006	4	Lock Washer, 3/8" Split
7	6010664	1	Transmission Jackshaft, 18 Tooth
8	6048229	1	Key, 3/16" Sq. x 1-1/4"
9	2500148	1	Sprocket, #40 x 45 Tooth
10	2500149	1	QD Bushing, SDS x 3/4" w/Fasteners
11	6010069	1	Chain, #40 x 56 Pitch
12	6010671	1	Chain Guard
13	2900009	9	Flat Washer, 1/4" SAE
14	2900024	5	Lock Washer, 1/4" Split
15	2900023	5	Cap Screw, Hex Hd., 1/4-20 x 5/8"
16	6010679	1	Gear Guard
17	6010674	1	Sprocket Guard
18	2900668	6	Cap Screw, Hex Hd., 5/16-18 x 7/8"
19	2900022	6	Flat Washer, 5/16" SAE
20	2900039	6	Lock Nut, 5/16-18 Nylon
21	6010678	1	Cover Plate (Wide)
22	2900140	1	Set Screw, Sq. Hd., 5/16-18 x 1-1/2"
23	2900141	1	Hex Nut, 5/16-18
24	2900106	2	Cap Screw, Hex Hd., 1/2-13 x 2"
25	2900058	4	Flat Washer, 1/2" SAE
26	2900026	3	Lock Nut, 1/2-13 Nylon
27	2900542	1	Tap Bolt, Hex Hd., 1/2-13 x 3-1/2"
28	6010673	1	Fan Guard
29	6010735	1	Spacer, Fan Guard
30	2900052	2	Cap Screw, Hex Hd., 1/4-20 x 1-1/4"
31	2900010	2	Lock Nut, 1/4-20 Nylon
32	6010724	1	Eaton Transmission Assembly
33	6010725	1	Linkage Assembly

## Eaton Transmission Assembly #6010724



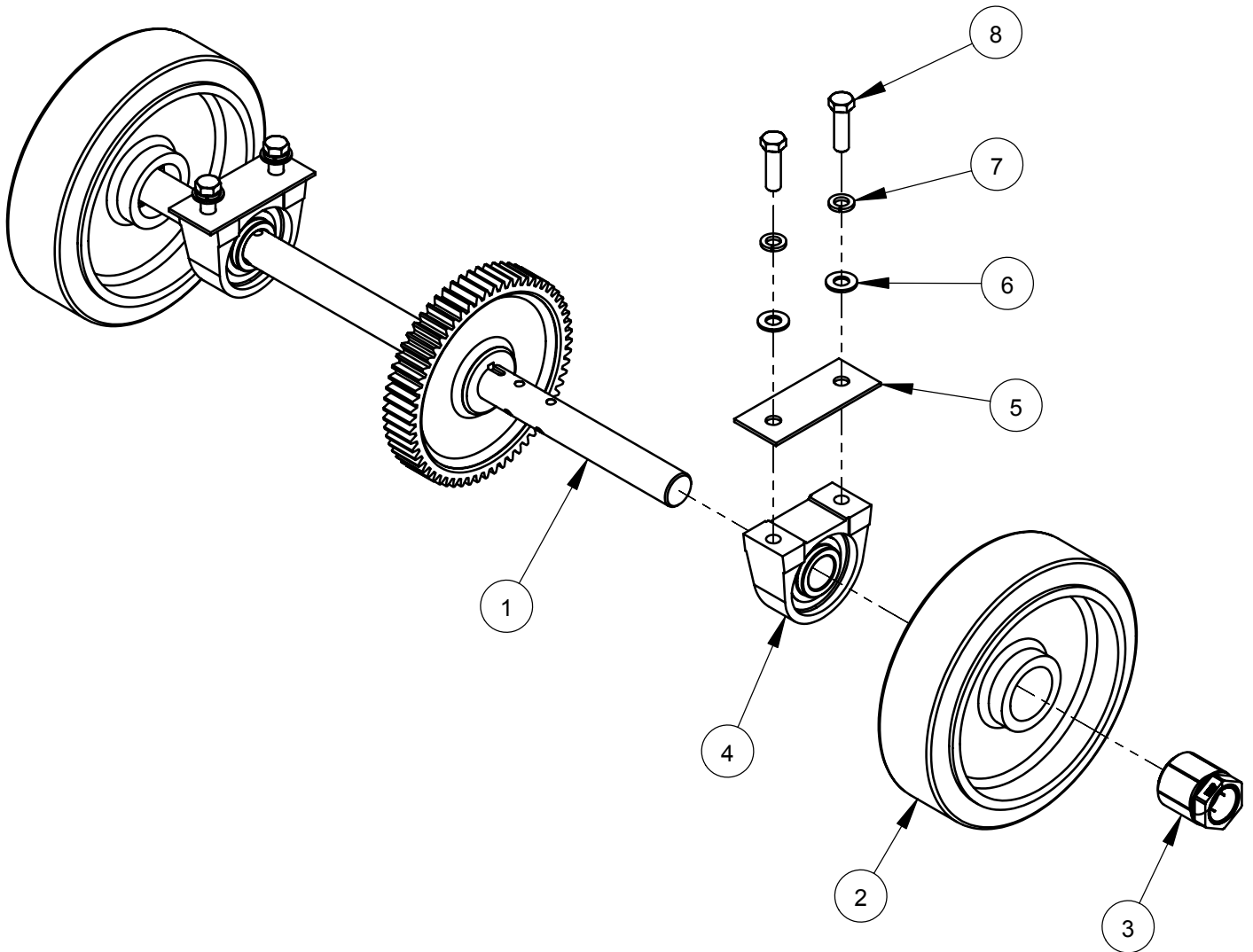
ITEM	PART NO.	QTY.	DESCRIPTION
1	2600068	1	Eaton Hydrostatic Transmission
2	3200046	2	Fitting, 3/8" F. JIC to 3/8" Push Lock
3	6010060	1	Oil Recirculation Hose, 3/8" I.D. x 9"
4	2900143	1	Woodruff Key #61, 3/16" x 5/8"
5	2900063	1	Woodruff Key #405, 1/8" x 5/8"
6	2500150	1	Sprocket, #40 x 11 Tooth w/Setscrews
7	6010064	1	Shift Lever
8	2900058	1	Flat Washer, 1/2" SAE
9	2900026	1	Lock Nut, 1/2-13 Nylon
10	6010682	1	Transmission Pulley 5.5"
11	2900142	2	Set Screw, Soc. Hd., 5/16-18 x 3/8"
12	2500519	1	Cooling Fan, 7"
13	2900038	4	Lock Washer, #10 Split
14	2900448	4	Machine Screw, Hex Hd., #10-32 x 1/2"
15	2900035	4	Cap Screw, Hex Hd., 3/8-16 x 3"
16	2900014	4	Flat Washer, 3/8" SAE
17	2900018	4	Lock Nut, 3/8-16 Nylon
18	3200062	1	Hose Clamp #4
19	6010059	1	Clear Hose, 3/8" I.D. x 19"

## Linkage Assembly #6010725



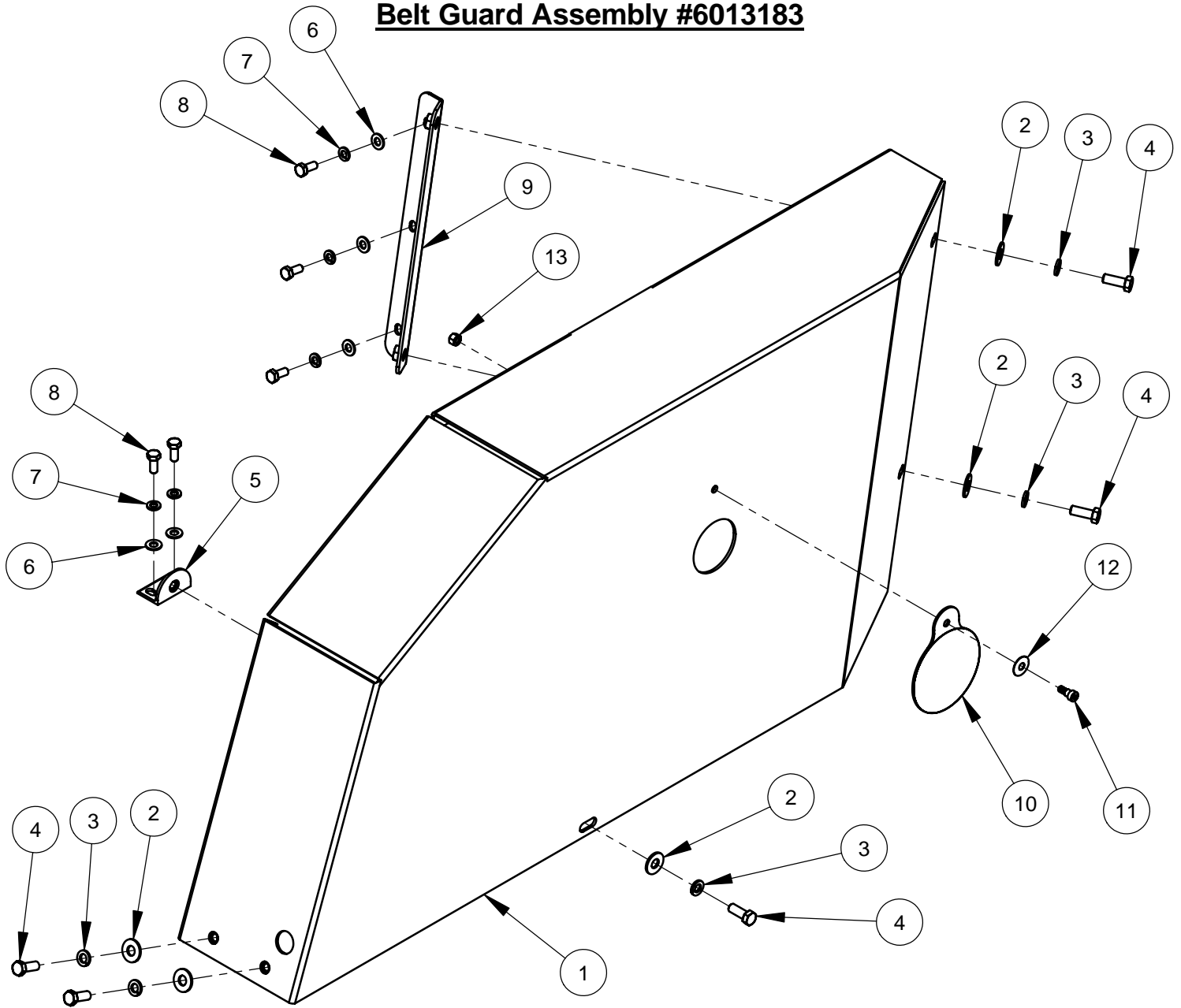
ITEM	PART NO.	QTY.	DESCRIPTION
1	6010067	1	Bell Crank
2	2900153	2	Friction Washer, 3/8"
3	2900029	6	Cap Screw, Hex Hd., 3/8-16 x 1-1/2"
4	2900014	14	Flat Washer, 3/8" SAE
5	2900018	7	Lock Nut, 3/8-16 Nylon
6	2900047	1	Cap Screw, Hex Hd., 3/8-16 x 1-3/4"
7	2900006	1	Lock Washer, 3/8" Split
8	2900033	1	Hex Nut, 3/8-16
9	6010704	1	Linkage Assembly 5-1/8"
10	6010705	1	Linkage Assembly 6-1/4"
11	6010706	1	Linkage Assembly 8"

## Rear Axle Assembly #6010743 (Eaton / Gear)



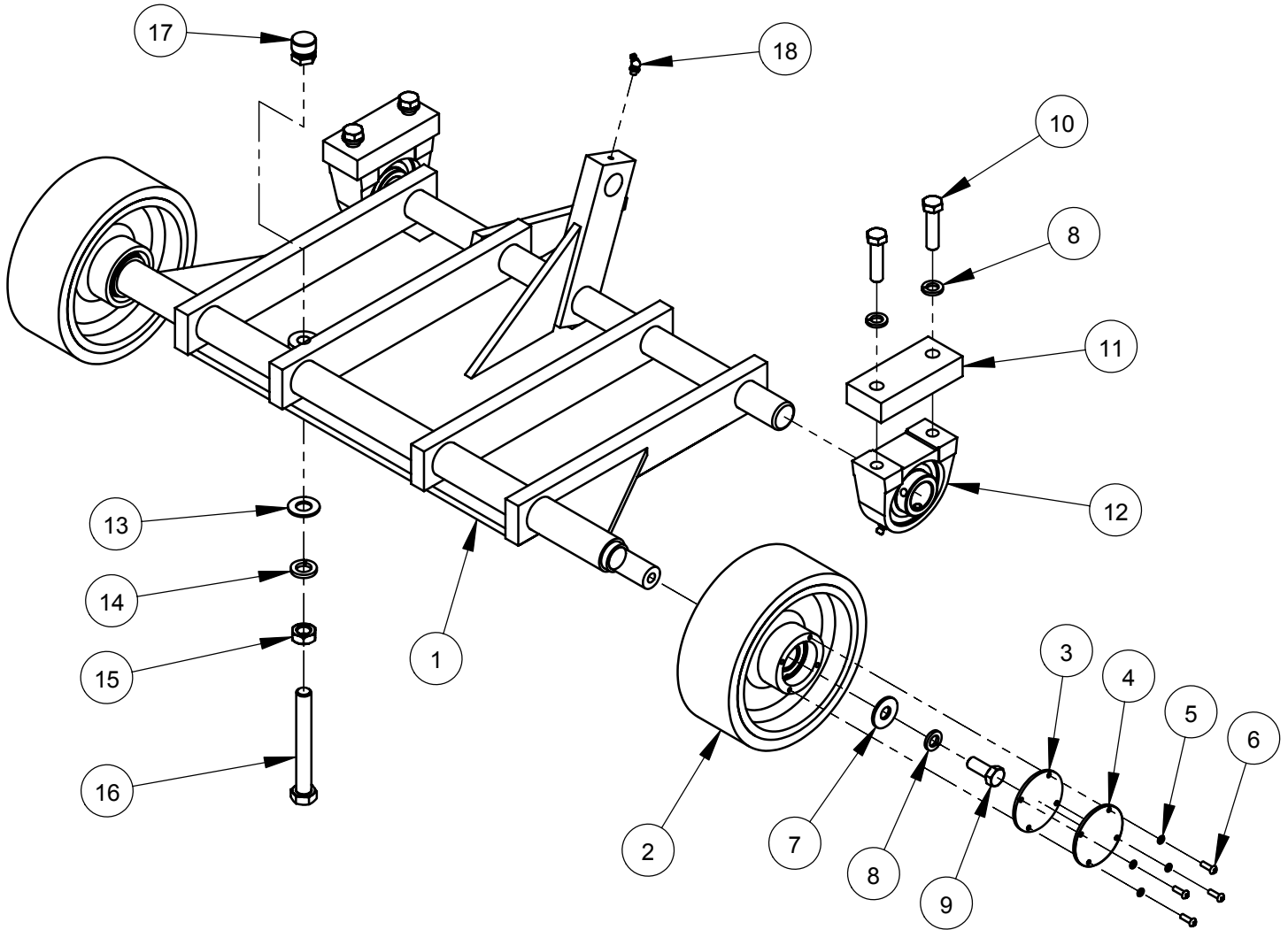
ITEM	PART NO.	QTY.	DESCRIPTION
1	6010686	1	Rear Axle Weldment w/60 Tooth Gear
2	2500873	2	Wheel, 10" Rear with 2" Bore
3	2500874	2	Trantorque Bushing, 1-1/4"
4	2500158	2	Pillow Block Bearing 1-1/4"
5	6010024	2	Rear Axle Bearing Spacer, 1/8"
6	2900058	4	Flat Washer, 1/2" SAE
7	2900084	4	Lock Washer, 1/2" Split
8	2900139	4	Cap Screw, Hex Hd., 1/2-13 x 1-3/4"

## Belt Guard Assembly #6013183



ITEM	PART NO.	QTY.	DESCRIPTION
1	6013163	1	Belt Guard
2	2900473	5	Flat Washer, 3/8" USS
3	2900006	5	Lock Washer, 3/8" Split
4	2900005	5	Cap Screw, Hex Hd., 3/8-16 x 1"
5	6010558	1	Guard Mounting Tab, 3/8-16
6	2900022	5	Flat Washer, 5/16" SAE
7	2900031	5	Lock Washer, 5/16" Split
8	2900019	5	Cap Screw, Hex Hd., 5/16-18 x 3/4"
9	6010556	1	Belt Guard Mount Bracket
10	6010768	1	Swing Cover Plate with Label
11	2900246	1	Shoulder Screw, 5/16" x 1/4" (1/4-20)
12	2900252	1	Belleville Washer, 5/16"
13	2900010	1	Lock Nut, 1/4-20 Nylon

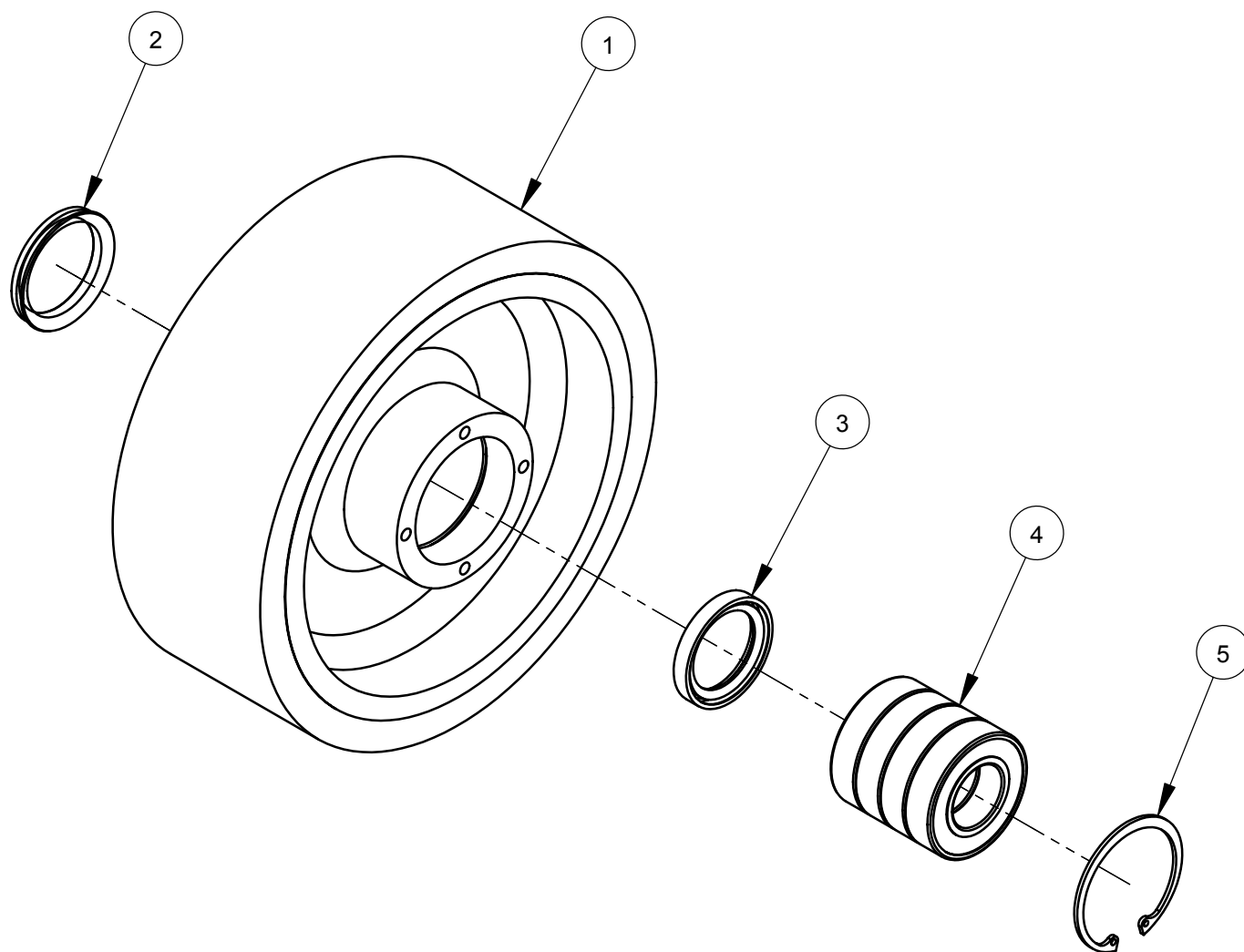
## Front Axle Assembly #6013132



ITEM	PART NO.	QTY.	DESCRIPTION
1	6013133	1	Front Axle Weldment
2	6010581	2	Wheel Assembly, 8" Front
3	2501393	2	Wheel Cover Gasket
4	6010536	2	Wheel Cover
5	2900038	8	Lock Washer, #10 Split
6	2900159	8	Machine Screw, Rd. Hd., #10-24 x 5/8"
7	2900127	2	Flat Washer, 1/2" USS
8	2900084	6	Lock Washer, 1/2" Split
9	2900025	2	Cap Screw, Hex Hd., 1/2-13 x 1-1/4"
10	2900106	4	Cap Screw, Hex Hd., 1/2-13 x 2"
11	6013010	2	Front Axle Bearing Spacer 1"
12	2500158	2	Pillow Block Bearing 1-1/4"
13	2900002	1	Flat Washer, 5/8" SAE
14	2900113	1	Lock Washer, 5/8" Split
15	2900256	1	Jam Nut, 5/8-11
16	2900725	1	Tap Bolt, Hex Hd., 5/8-11 x 5"
17	2900446	1	Swivel Pad Nut, 5/8-11
18	2900184	1	Grease Fitting, 1/8" NPT x 45 degree

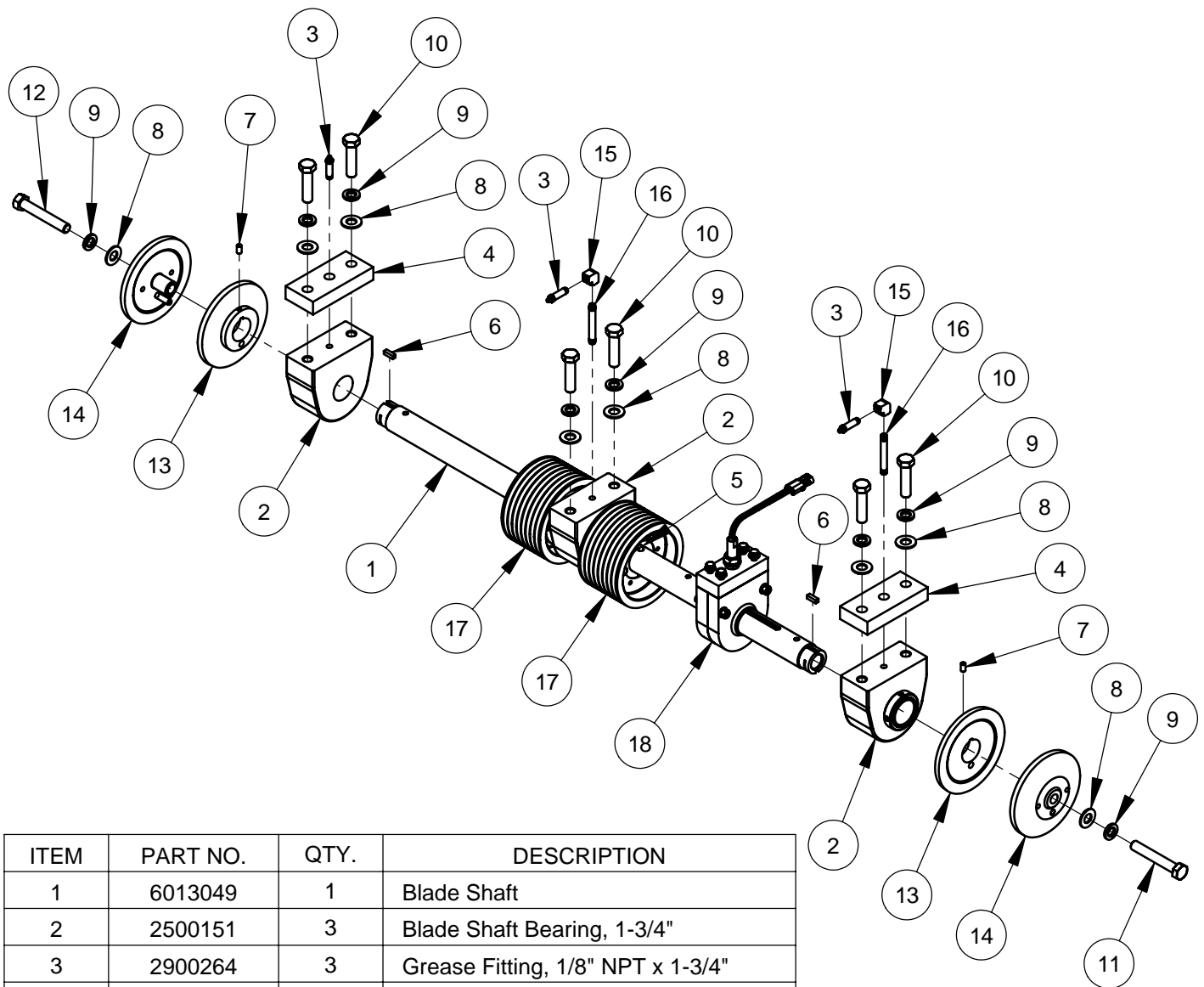


## Front Wheel Assembly #6010581



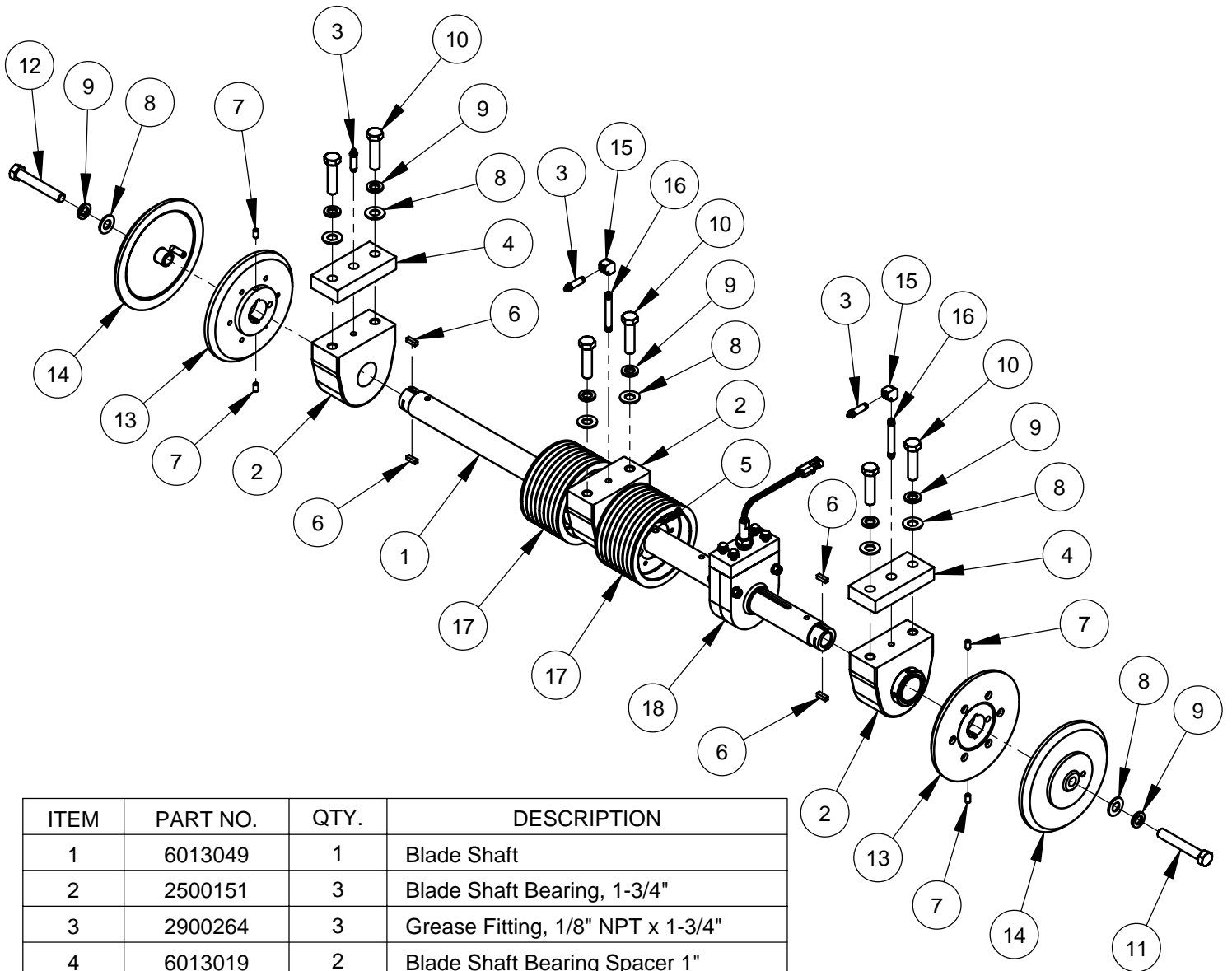
ITEM	PART NO.	QTY.	DESCRIPTION
1	2501390	1	Wheel, 8" Front
2	2501428	1	Seal, 1-1/2" V-Ring
3	2501391	1	Seal, 1-1/4" x 1-3/4" x 1/4"
4	2501418	4	Ball Bearing, 1" x 2" x 1/2"
5	2501392	1	Retaining Ring, 2" Internal

## Blade Shaft Assembly #6013181A (Blades 26" - 36")



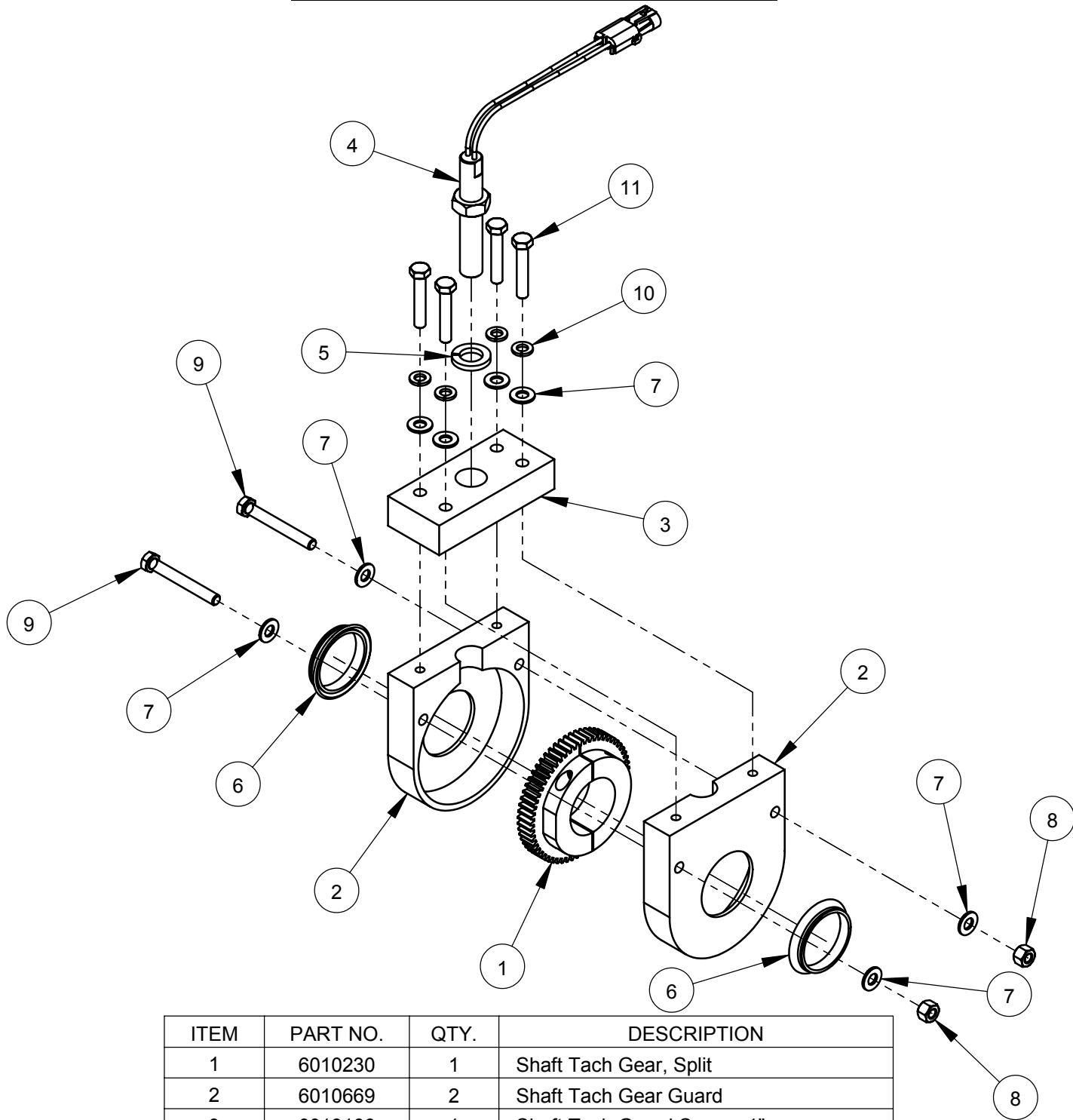
ITEM	PART NO.	QTY.	DESCRIPTION
1	6013049	1	Blade Shaft
2	2500151	3	Blade Shaft Bearing, 1-3/4"
3	2900264	3	Grease Fitting, 1/8" NPT x 1-3/4"
4	6013019	2	Blade Shaft Bearing Spacer 1"
5	6047959	2	Key, 3/8" Sq. x 2-1/4"
6	6010040	2	Key, 1/4" Sq. x 13/16"
7	2900418	2	Set Screw, Soc. Hd., 5/16-18 x 5/8"
8	2900002	8	Flat Washer, 5/8" SAE
9	2900113	8	Lock Washer, 5/8" Split
10	2900527	6	Cap Screw, Hex Hd., 5/8-11 x 2-1/2"
11	2900146	1	Cap Screw, Hex Hd., 5/8-11 x 4"
12	2900130	1	Cap Screw, Hex Hd., 5/8-11 x 4" LH
13	6010038	2	Inner Flange 6"
14	6010039	2	Outer Flange 6" with Pin
15	3200154	2	Pipe Elbow, 1/8" NPT Female
16	3200179	2	Pipe Nipple, 1/8" NPT x 3"
17	6013182	2	Sheave, 6" x 8 Groove w/Bushing
18	6013169	1	Shaft Tach Gear Assembly

## Blade Shaft Assembly #6013181B (Blades 42" - 54")



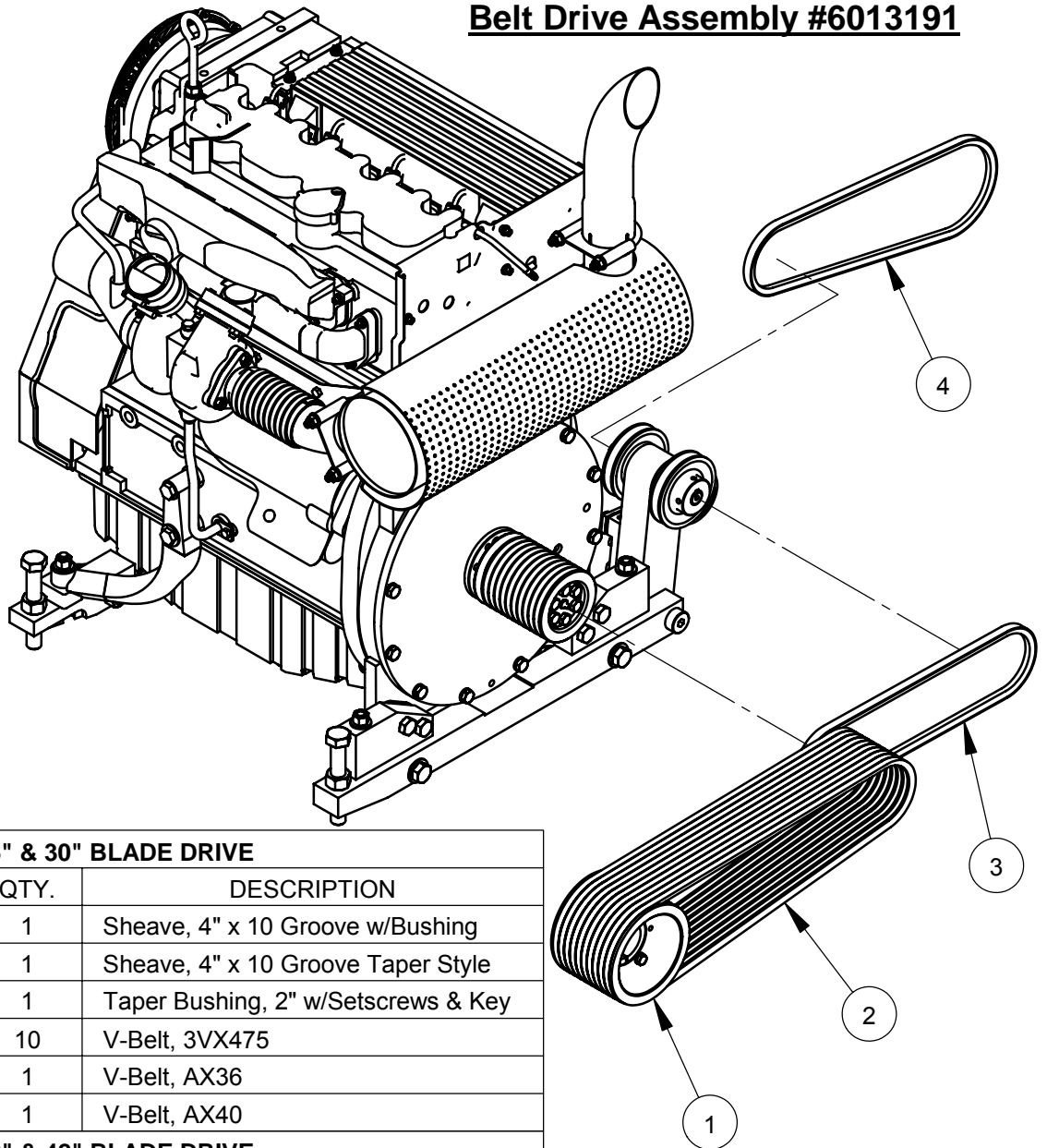
ITEM	PART NO.	QTY.	DESCRIPTION
1	6013049	1	Blade Shaft
2	2500151	3	Blade Shaft Bearing, 1-3/4"
3	2900264	3	Grease Fitting, 1/8" NPT x 1-3/4"
4	6013019	2	Blade Shaft Bearing Spacer 1"
5	6047959	2	Key, 3/8" Sq. x 2-1/4"
6	6010040	4	Key, 1/4" Sq. x 13/16"
7	2900418	4	Set Screw, Soc. Hd., 5/16-18 x 5/8"
8	2900002	8	Flat Washer, 5/8" SAE
9	2900113	8	Lock Washer, 5/8" Split
10	2900527	6	Cap Screw, Hex Hd., 5/8-11 x 2-1/2"
11	2900146	1	Cap Screw, Hex Hd., 5/8-11 x 4"
12	2900130	1	Cap Screw, Hex Hd., 5/8-11 x 4" LH
13	6013017	2	Inner Flange 8"
14	6013018	2	Outer Flange 8" with Pin
15	3200154	2	Pipe Elbow, 1/8" NPT Female
16	3200179	2	Pipe Nipple, 1/8" NPT x 3"
17	6013182	2	Sheave, 6" x 8 Groove w/Bushing
18	6013169	1	Shaft Tach Gear Assembly

## Shaft Tach Gear Assembly #6013169



ITEM	PART NO.	QTY.	DESCRIPTION
1	6010230	1	Shaft Tach Gear, Split
2	6010669	2	Shaft Tach Gear Guard
3	6013166	1	Shaft Tach Guard Spacer 1"
4	2800170	1	Magnetic Sensor w/Jam Nut
5	2900113	1	Lock Washer, 5/8" Split
6	2501752	2	Seal, 1-3/4" V-Ring
7	2900022	8	Flat Washer, 5/16" SAE
8	2900039	2	Lock Nut, 5/16-18 Nylon
9	2900726	2	Cap Screw, Hex Hd., 5/16-18 x 2-1/2"
10	2900031	4	Lock Washer, 5/16" Split
11	2900538	4	Cap Screw, Hex Hd., 5/16-18 x 1-3/4"

## Belt Drive Assembly #6013191



### 26" & 30" BLADE DRIVE

ITEM	PART NO.	QTY.	DESCRIPTION
1	6010544	1	Sheave, 4" x 10 Groove w/Bushing
	2501380	1	Sheave, 4" x 10 Groove Taper Style
	2501411	1	Taper Bushing, 2" w/Setscrews & Key
2	2500298	10	V-Belt, 3VX475
3	2501968	1	V-Belt, AX36
4	2501780	1	V-Belt, AX40

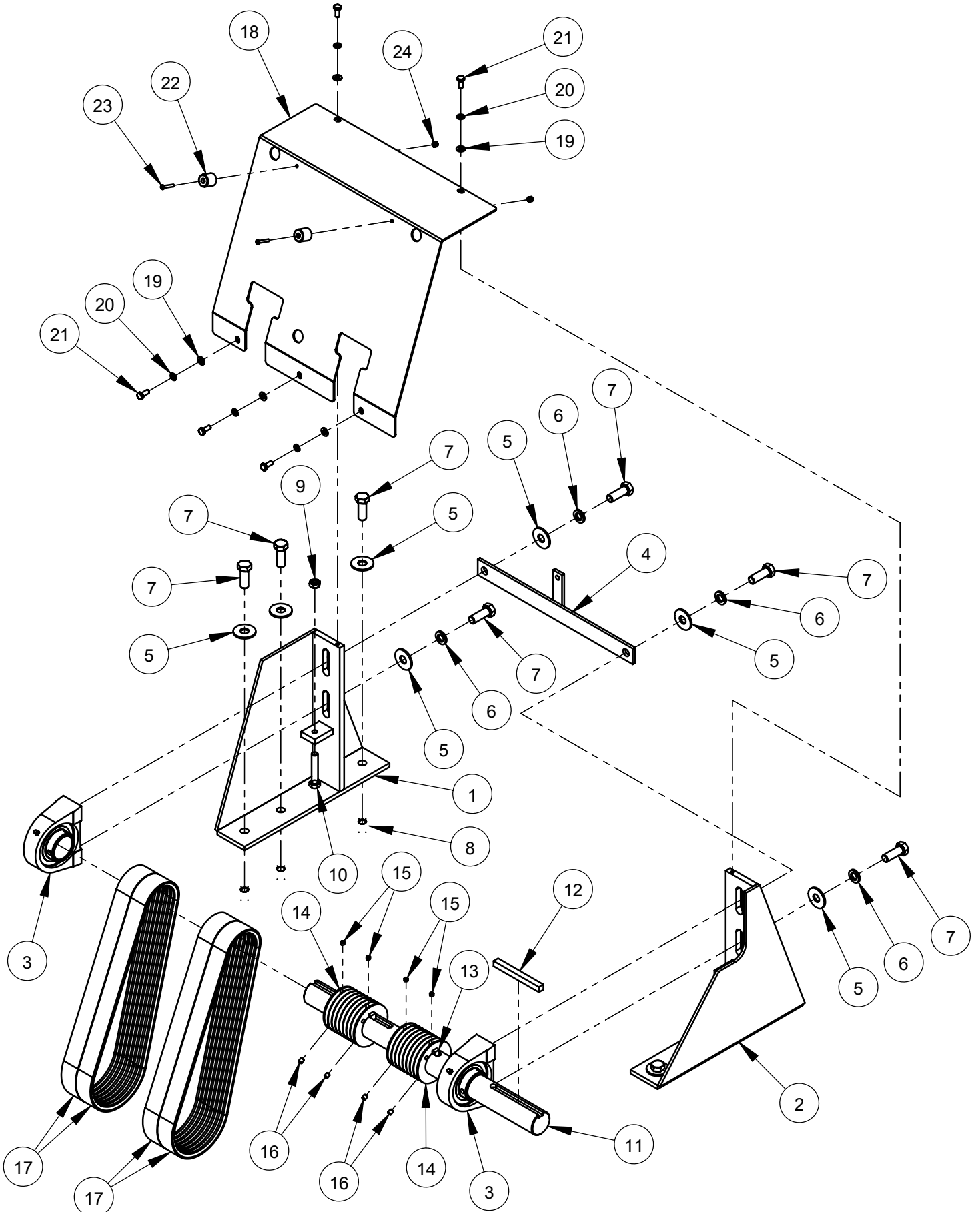
### 36" & 42" BLADE DRIVE

ITEM	PART NO.	QTY.	DESCRIPTION
1	6013157	1	Sheave, 5.6" x 10 Groove w/Bushing
	2500209	1	Sheave, 5.6" x 10 Groove QD Style
	2500153	1	QD Bushing, SK x 2" w/Fasteners
2	2500371	10	V-Belt, 3VX500
3	2501968	1	V-Belt, AX36
4	2501780	1	V-Belt, AX40

### 48" & 54" BLADE DRIVE

ITEM	PART NO.	QTY.	DESCRIPTION
1	6013158	1	Sheave, 7.6" x 10 Groove w/Bushing
	6010287	1	Sheave, 7.6" x 10 Groove QD Style
	2500210	1	QD Bushing, SF x 2" w/Fasteners
2	2500438	10	V-Belt, 3VX530
3	2501968	1	V-Belt, AX36
4	2501780	1	V-Belt, AX40

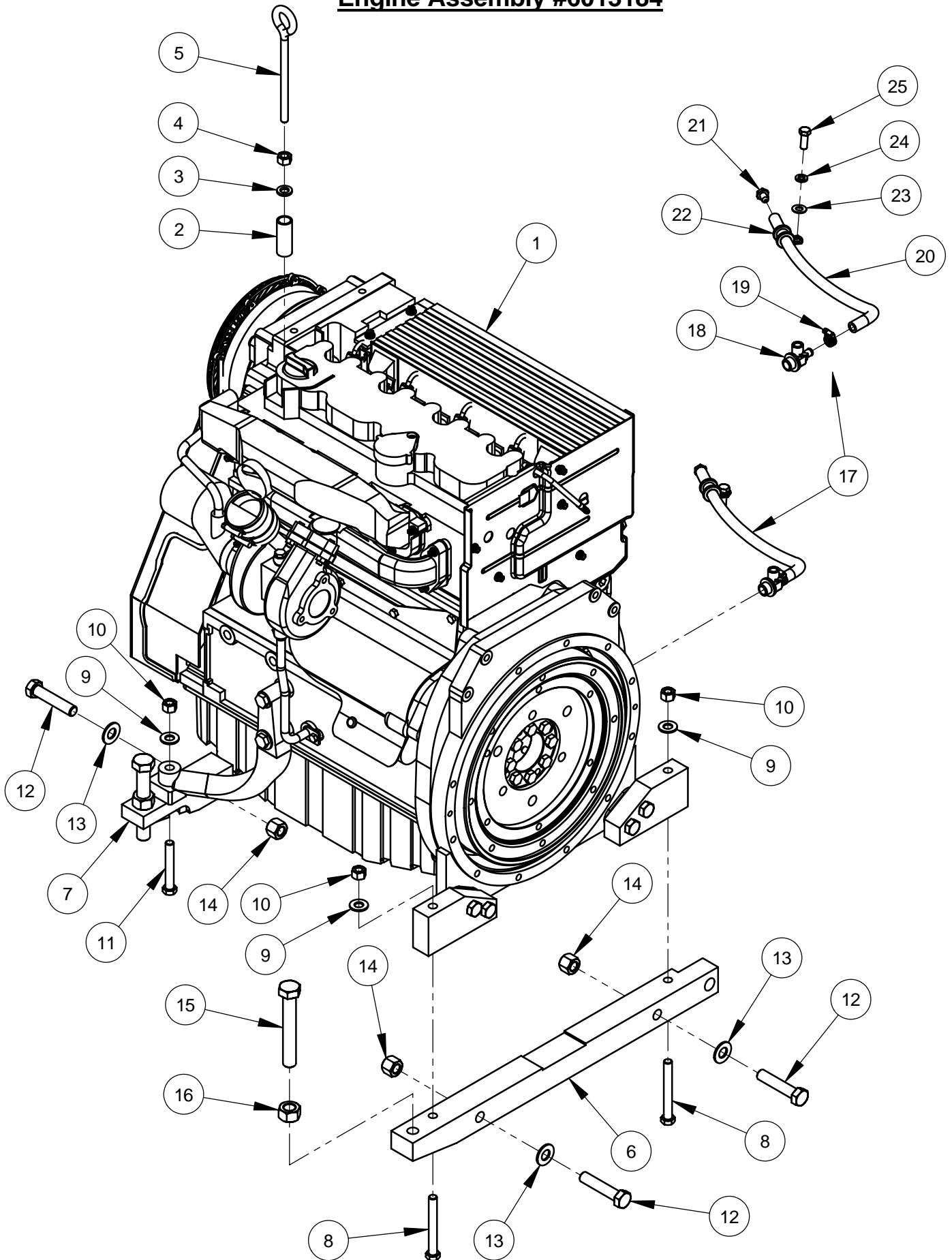
# Jackshaft Assembly #6013120



## Jackshaft Assembly #6013120

ITEM	PART NO.	QTY.	DESCRIPTION
1	6013012	1	Jackshaft Mount R.H.
2	6013011	1	Jackshaft Mount L.H.
3	2500435	2	Pillow Block Bearing 2"
4	6013014	1	Jackshaft Brace
5	2900721	10	Flat Washer, 5/8" USS Hardened
6	2900113	4	Lock Washer, 5/8" Split
7	2900147	10	Cap Screw, Hex Hd., 5/8-11 x 1-3/4"
8	2900135	6	Lock Nut, 5/8-11 Nylon
9	2900129	2	Jam Nut, 1/2-13
10	2900541	2	Tap Bolt, Hex Hd., 1/2-13 x 2-3/4"
11	6013016	1	Jackshaft
12	6013112	1	Key, 1/2" Sq. x 5" Long
13	4641010	2	Key, 1/2" Sq. x 4" Long
14	6010150	2	Sheave, 3.65" x 8 Groove x 2" Bore
15	2900036	4	Set Screw, Soc. Hd., 5/16-18 x 1/4"
16	2900142	4	Set Screw, Soc. Hd., 5/16-18 x 3/8"
17	2500436	4	Banded Belt, 4/3VX450 - 4 Strand
18	6013036	1	Jackshaft Guard
19	2900022	5	Flat Washer, 5/16" SAE
20	2900031	5	Lock Washer, 5/16" Split
21	2900019	5	Cap Screw, Hex Hd., 5/16-18 x 3/4"
22	2501093	2	Bumper, 1"
23	2900172	2	Machine Screw, Rd. Hd., #10-24 x 1-1/4"
24	2900017	2	Lock Nut, #10-24 Nylon

# Engine Assembly #6013184



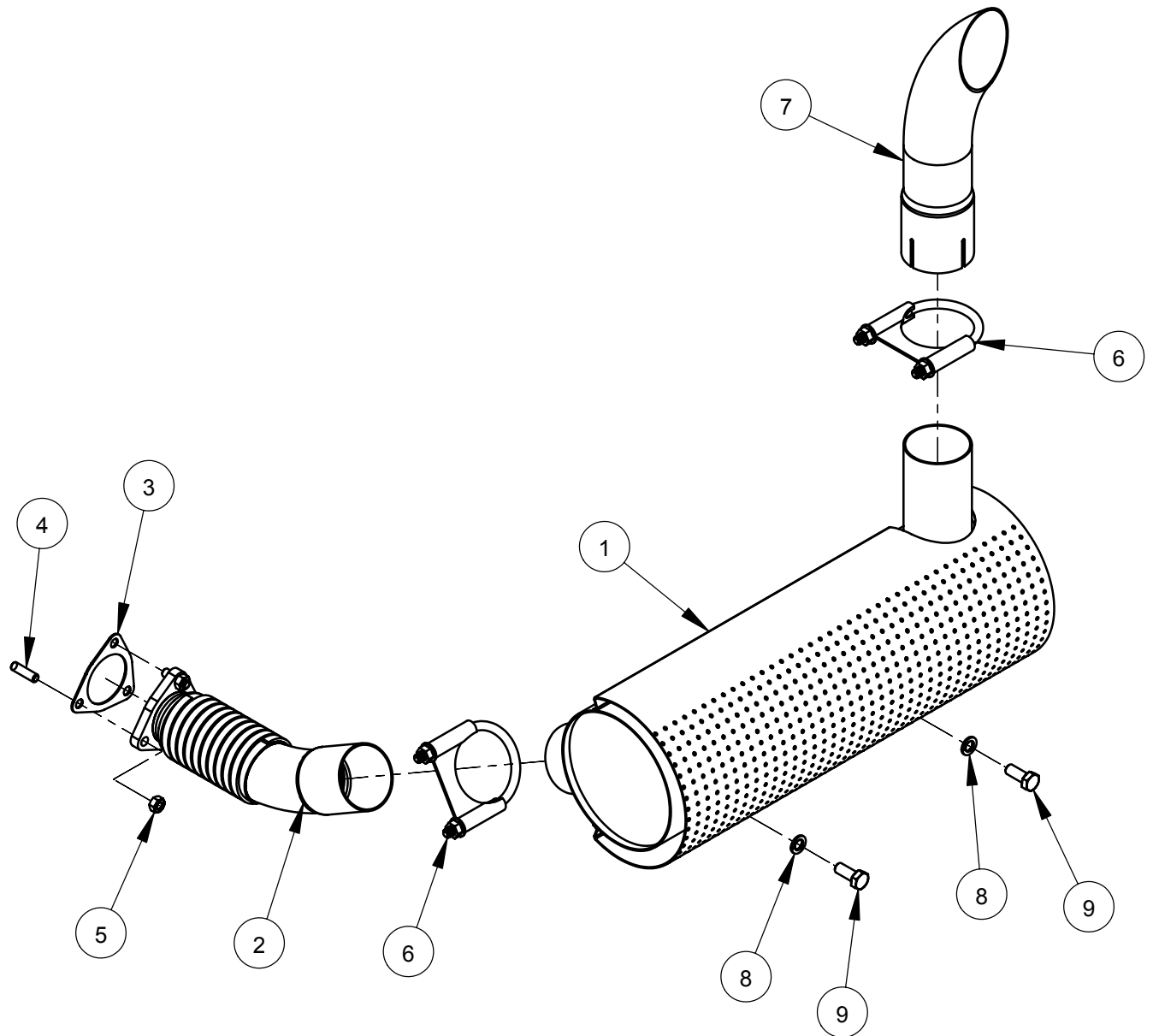


## Engine Assembly #6013184

ITEM	PART NO.	QTY.	DESCRIPTION
1	2600327	1	Engine, Deutz Model BF4L2011
2	6090417	1	Spacer, 2-1/4" Long
3	2900084	1	Lock Washer, 1/2" Split
4	2900482	1	Hex Nut, M12
5	2900481	1	Eyebolt, M12 x 6"
6	6013186	1	Engine Support Leg
7	6010659	1	Engine Support Leg
8	2900347	2	Cap Screw, Hex Hd., M12 x 100mm
9	2900058	4	Flat Washer, 1/2" SAE
10	2900327	4	Lock Nut, M12 Nylon
11	2900346	2	Cap Screw, Hex Hd., M12 x 80mm
12	2900195	4	Cap Screw, Hex Hd., 5/8-11 x 3"
13	2900002	4	Flat Washer, 5/8" SAE
14	2900135	4	Lock Nut, 5/8-11 Nylon
15	2900475	2	Tap Bolt, Hex Hd., 3/4-10 x 5"
16	2900041	2	Hex Nut, 3/4-10
17	6013152	1	Oil Drain Valve Assembly

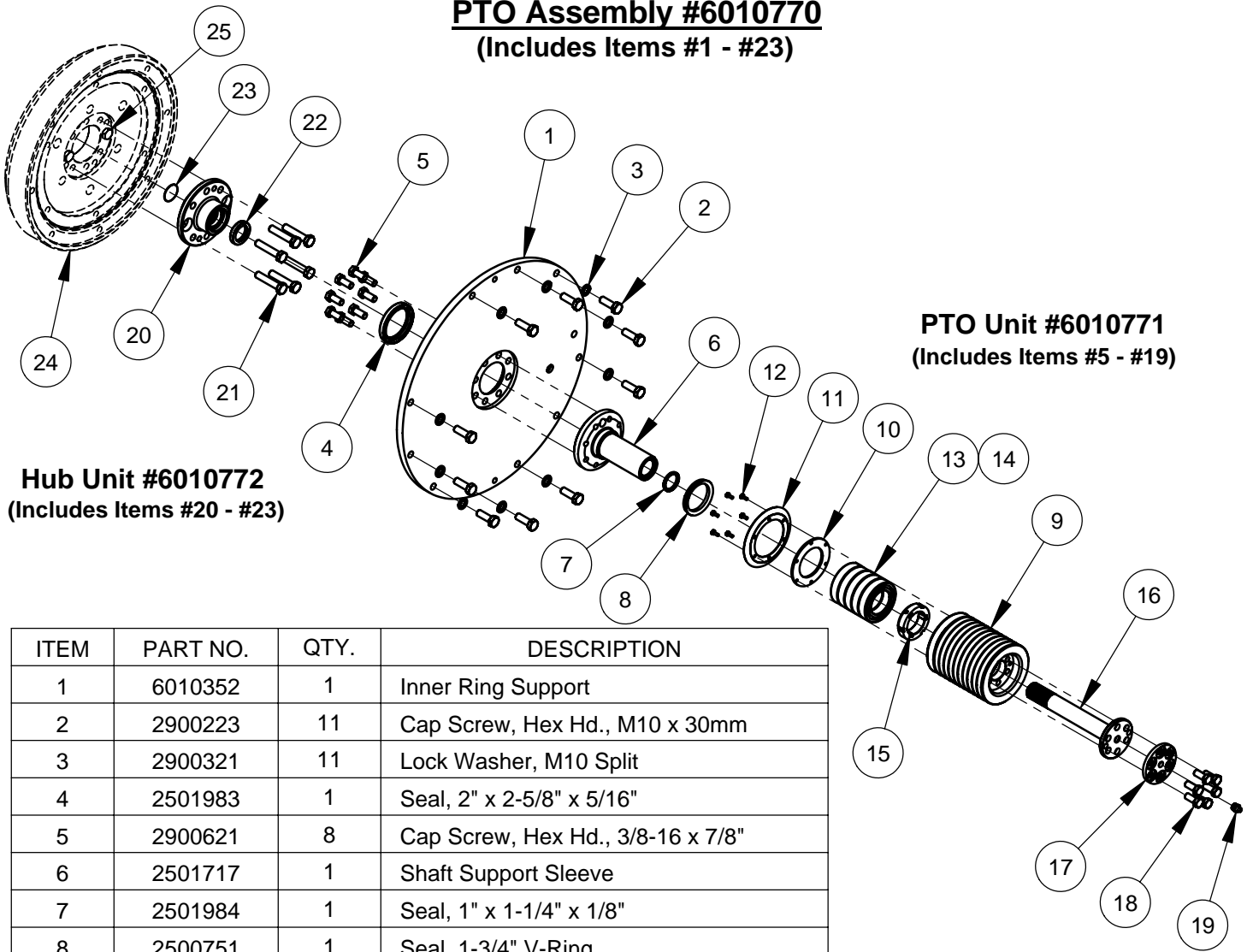
ITEM	PART NO.	QTY.	DESCRIPTION
18	3200814	1	Oil Drain Valve, M18x1.5
19	3200062	1	Hose Clamp #4
20	6013153	1	Oil Drain Hose, 3/8" I.D. x 20"
21	3200741	1	Hose Plug
22	2501434	1	Hose Clamp, 1/2" x 3/4" Wide
23	2900014	1	Flat Washer, 3/8" SAE
24	2900006	1	Lock Washer, 3/8" Split
25	2900005	1	Cap Screw, Hex Hd., 3/8-16 x 1"

## Muffler Assembly #6013185



ITEM	PART NO.	QTY.	DESCRIPTION
1	2702785	1	Muffler
2	2702786	1	Exhaust Pipe
3	2701618	1	Gasket, Turbo Outlet
4	2702549	3	Stud, M8 x 30mm
5	2900343	3	Hex Nut, M8
6	2700609	2	Muffler Clamp 2-1/2"
7	2501775	1	Tail Pipe, 2-1/2" I.D. x 12"
8	2900321	2	Lock Washer, M10 Split
9	2900333	2	Cap Screw, Hex Hd., M10 x 25mm

**PTO Assembly #6010770**  
(Includes Items #1 - #23)

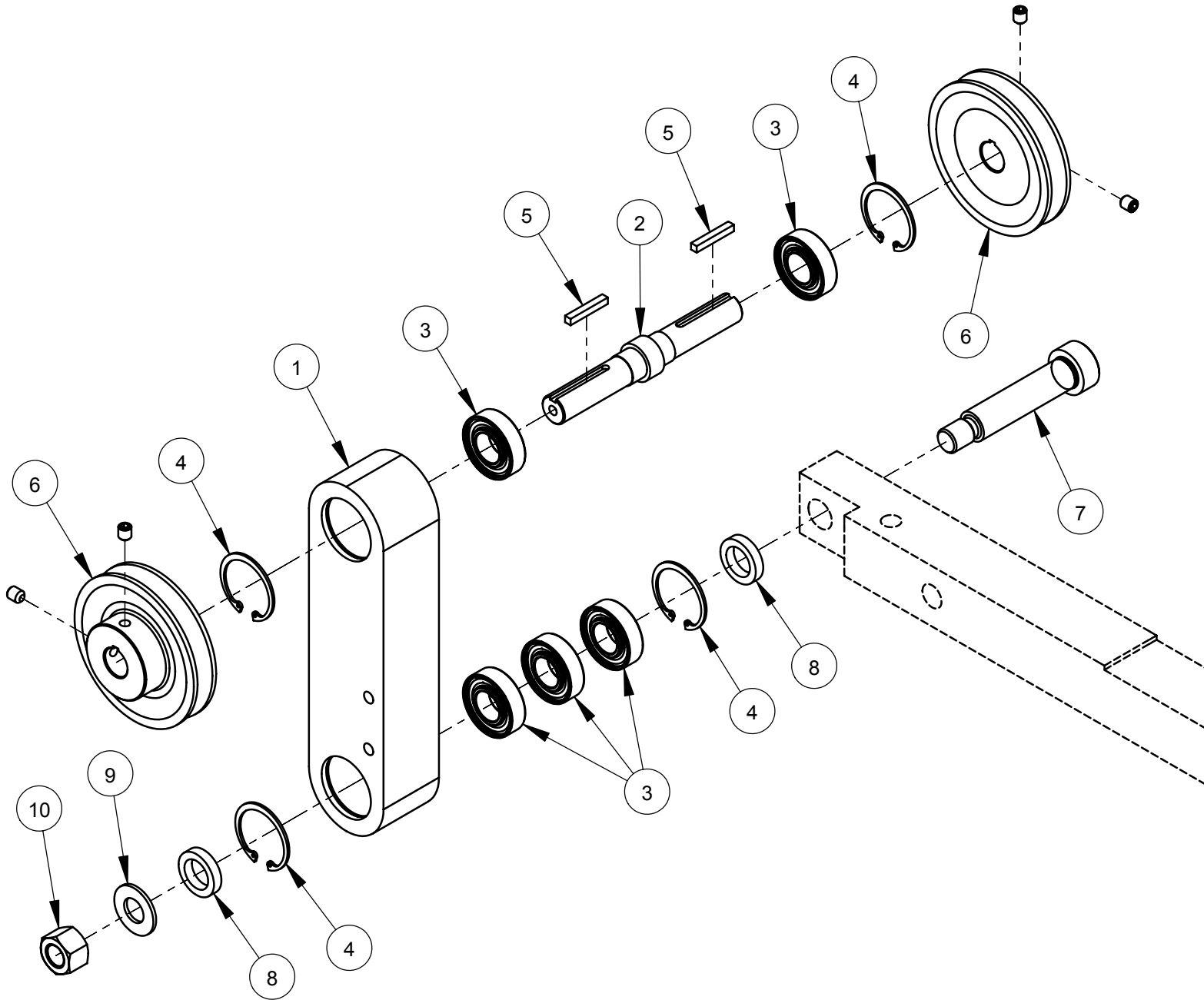


**Hub Unit #6010772**  
(Includes Items #20 - #23)

**PTO Unit #6010771**  
(Includes Items #5 - #19)

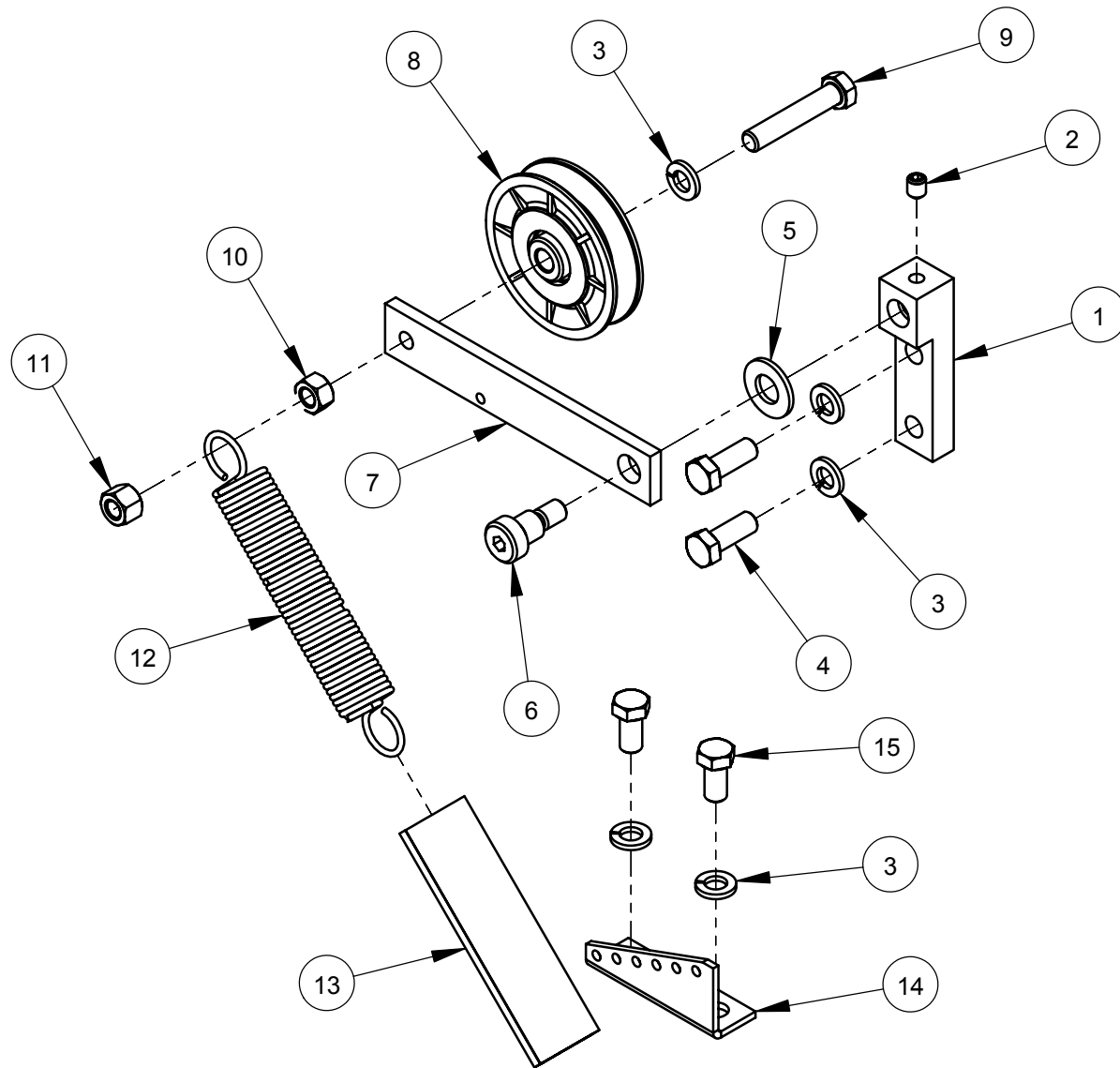
ITEM	PART NO.	QTY.	DESCRIPTION
1	6010352	1	Inner Ring Support
2	2900223	11	Cap Screw, Hex Hd., M10 x 30mm
3	2900321	11	Lock Washer, M10 Split
4	2501983	1	Seal, 2" x 2-5/8" x 5/16"
5	2900621	8	Cap Screw, Hex Hd., 3/8-16 x 7/8"
6	2501717	1	Shaft Support Sleeve
7	2501984	1	Seal, 1" x 1-1/4" x 1/8"
8	2500751	1	Seal, 1-3/4" V-Ring
9	2501722	1	Sheave, 4" x 11 Groove
10	2501719	1	Bearing Retainer Plate
11	2501998	1	Grease Slinger Disc
12	2900624	6	Machine Screw, Hex Hd., #6-32 x 3/8"
13	2501986	5	Ball Bearing, 40mm x 68mm x 15mm
14	2501747	4	Shim, 40mm x 50mm x 0.1mm
15	2900654	1	Bearing Lock Nut, 1-9/16"-18
16	2501720	1	Splined Drive Shaft
17	2501985	1	Grease Disc
18	2900954	6	Cap Screw, Hex Hd., 3/8-24 x 7/8"
19	2900062	1	Grease Fitting, 1/8" NPT
20	2501721	1	Coupling Hub
21	2900633	6	Cap Screw, Hex Hd., M10x1.0 x 50mm
22	2501714	1	Seal, 1" x 1-1/2" x 1/4"
23	2501670	1	Hubbard Plug, 1-1/8"
24	2701276	1	Flywheel, Deutz Engine
25	2702756	2	Cap Screw, Hex Hd., M10x1.0 x 40mm

## Transmission Jackshaft Assembly #6013187



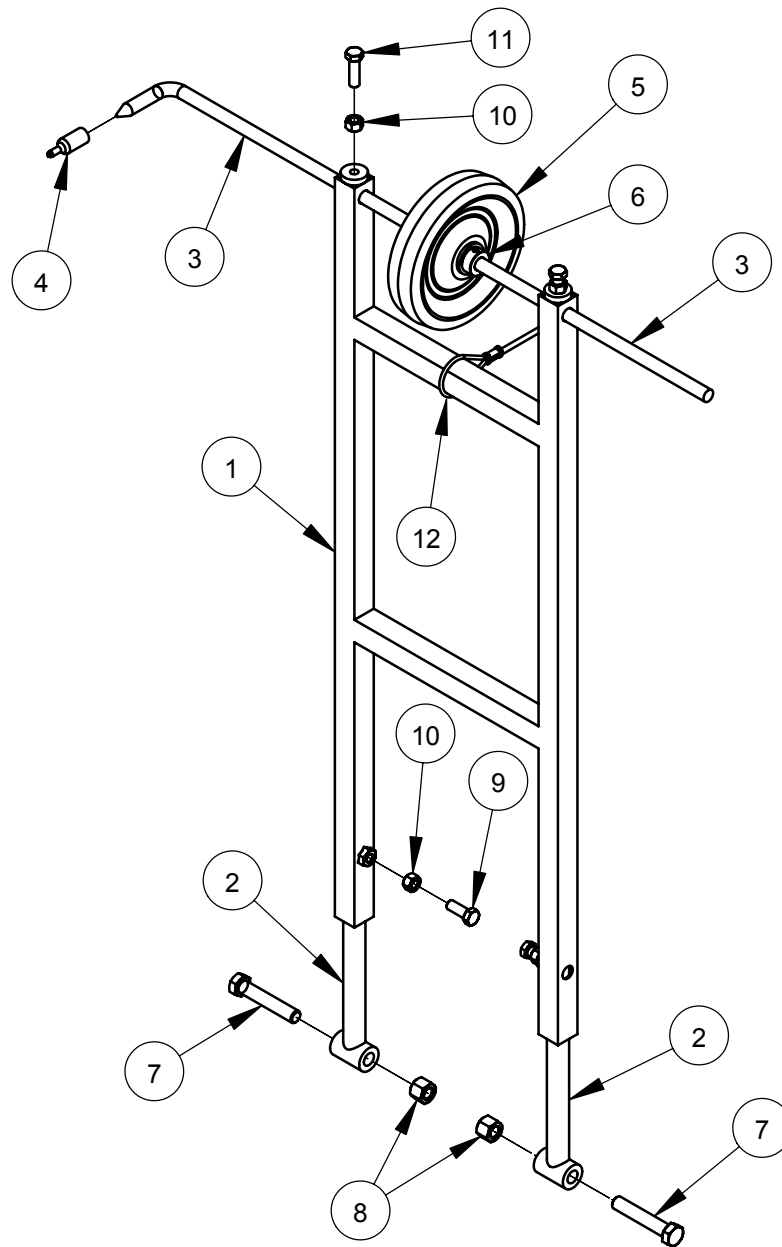
ITEM	PART NO.	QTY.	DESCRIPTION
1	6013179	1	Jackshaft Pivot Housing
2	6010666	1	Transmission Jackshaft
3	2501743	5	Ball Bearing, 20mm x 42mm x 12mm
4	2501748	4	Retaining Ring, 42mm Internal
5	6048229	2	Key, 3/16" Sq. x 1-1/4"
6	2500455	2	Pulley, 4" Single Groove w/Setscrews
7	2900640	1	Shoulder Bolt, 20mm x 80mm (M16)
8	6010685	2	Bearing Spacer, 1/4"
9	2900002	1	Flat Washer, 5/8" SAE
10	2900670	1	Lock Nut, M16 Nylon

## Belt Tensioner Assembly #6013192



ITEM	PART NO.	QTY.	DESCRIPTION
1	6013188	1	Idler Arm Bracket
2	2900142	1	Set Screw, Soc. Hd., 5/16-18 x 3/8"
3	2900006	5	Lock Washer, 3/8" Split
4	2900005	2	Cap Screw, Hex Hd., 3/8-16 x 1"
5	2900058	1	Flat Washer, 1/2" SAE
6	2900588	1	Shoulder Screw, 1/2" x 1/2" (3/8-16)
7	6012046	1	Idler Arm
8	2500074	1	Idler Pulley 3"
9	2900060	1	Cap Screw, Hex Hd., 3/8-16 x 2"
10	2900033	1	Hex Nut, 3/8-16
11	2900018	1	Lock Nut, 3/8-16 Nylon
12	2501396	1	Spring, 1" Dia. x 6" Long
13	6010582	1	Spring Cover, Split
14	6011217	1	Idler Spring Bracket
15	2900196	2	Cap Screw, Hex Hd., 3/8-16 x 3/4"

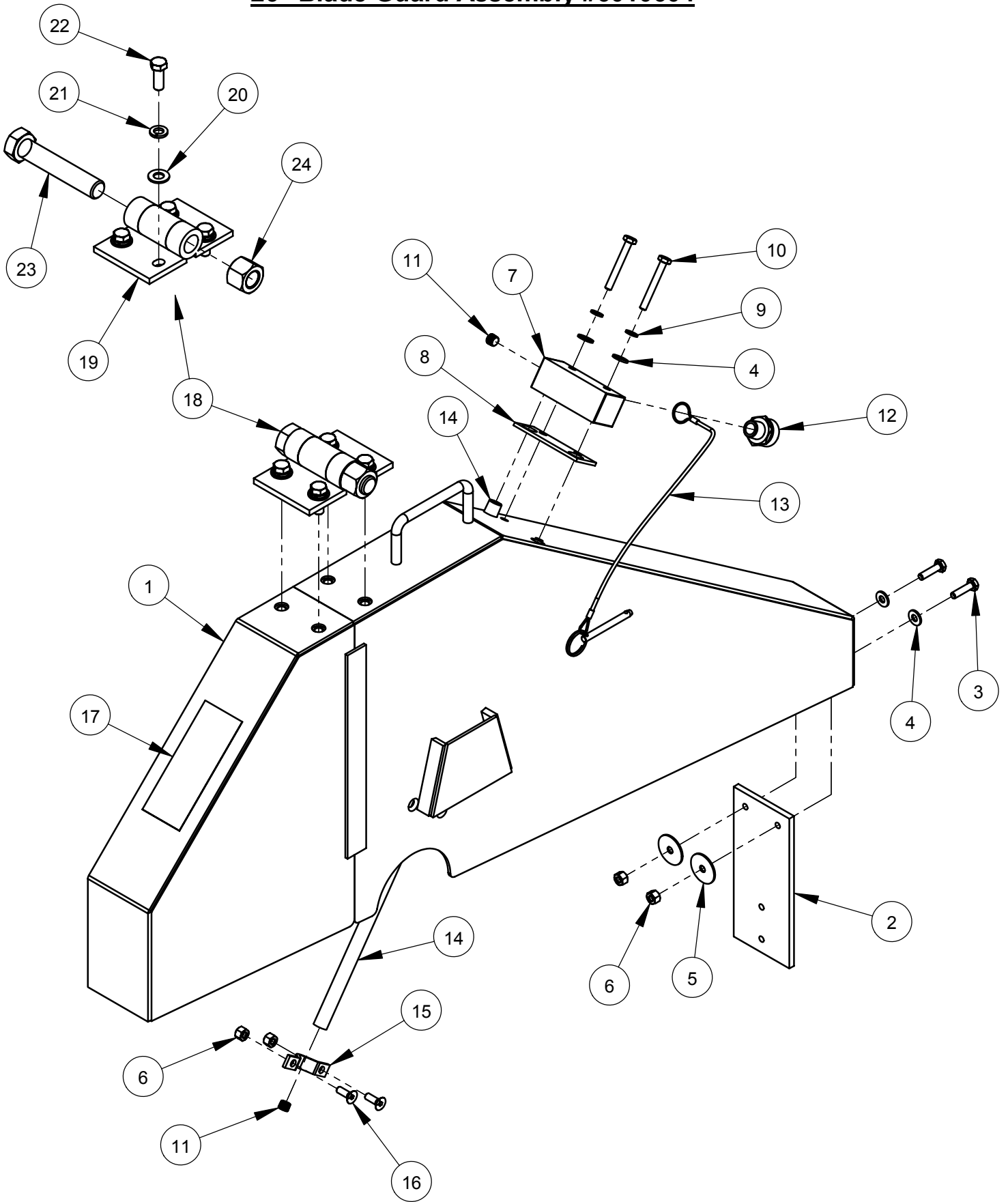
## Front Pointer Assembly #6010540



ITEM	PART NO.	QTY.	DESCRIPTION
1	6010541	1	Front Pointer Frame
2	6011152	2	Front Pointer Arm
3	6013025	1	Front Pointer Rod
4	2500740	1	Pointer Cap
5	2501409	1	Wheel, 6"
6	2500007	2	Set Collar, 1/2" with Set Screw
7	2900105	2	Cap Screw, Hex Hd., 1/2-13 x 2-3/4"
8	2900026	2	Lock Nut, 1/2-13 Nylon
9	2900005	2	Cap Screw, Hex Hd., 3/8-16 x 1"
10	2900033	4	Hex Nut, 3/8-16
11	2900013	2	Cap Screw, Hex Hd., 3/8-16 x 1-1/4"
12	6013159	1	Pointer Lanyard

(BLANK)

# 26" Blade Guard Assembly #6010604



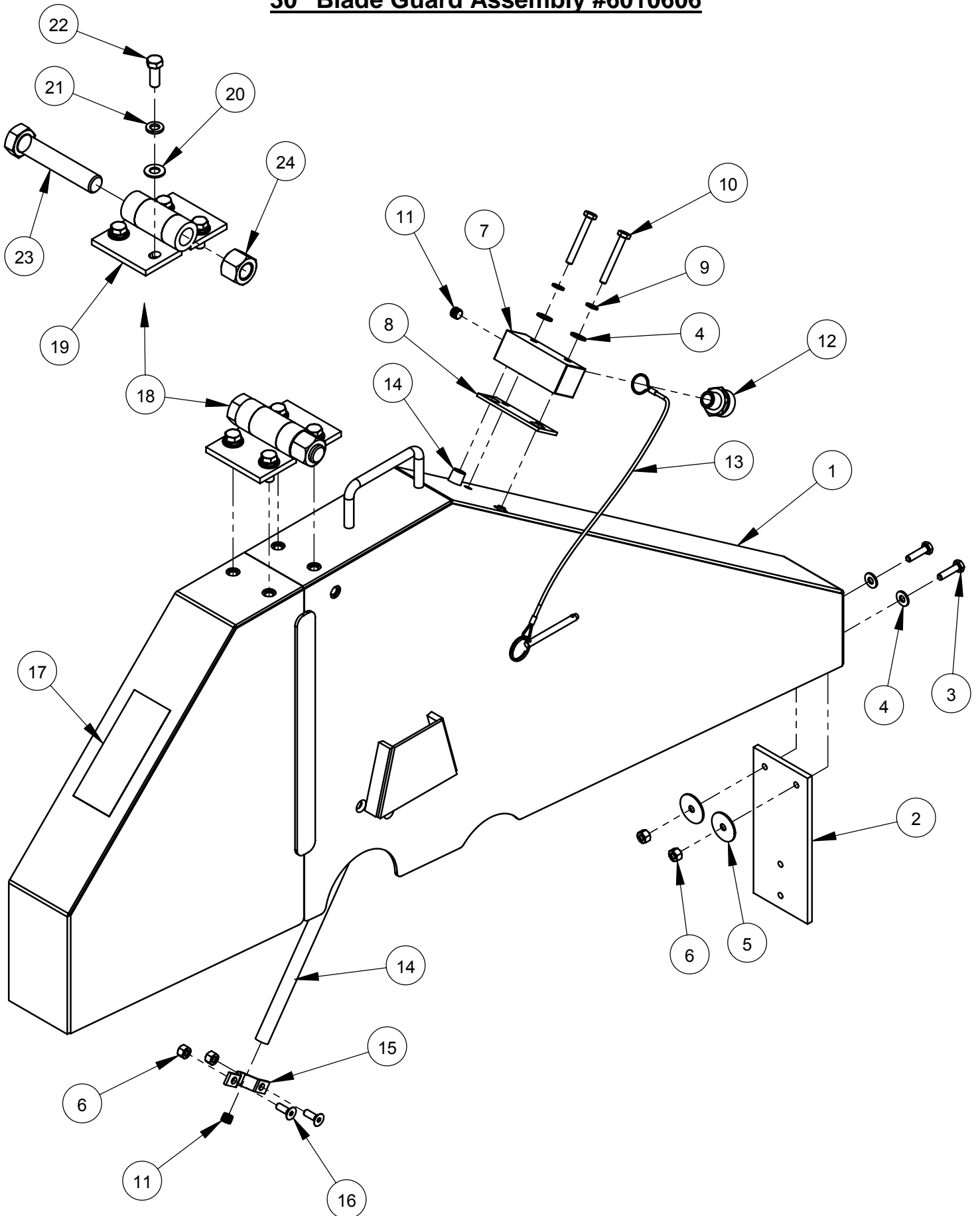


## 26" Blade Guard Assembly #6010604

ITEM	PART NO.	QTY.	DESCRIPTION
1	6010605	1	26" Blade Guard Front & Rear Only
2	6010081	1	Splash Flap
3	2900008	2	Cap Screw, Hex Hd., 1/4-20 x 1"
4	2900009	4	Flat Washer, 1/4" SAE
5	2900083	2	Fender Washer, 1/4" x 1-1/4"
6	2900010	6	Lock Nut, 1/4-20 Nylon
7	6010261	1	Water Manifold
8	2500830	1	Water Manifold Gasket
9	2900024	2	Lock Washer, 1/4" Split
10	2900294	2	Cap Screw, Hex Hd., 1/4-20 x 2"
11	3200001	3	Plug, 1/8" NPT
12	3200002	1	Fitting, 3/8" M. Pipe to 3/4" M. Garden
13	2900279	1	Lanyard with Lock Pin
14	6010086	2	Water Tube for 26" Guard
15	6048155	2	Water Tube Clamp
16	2900020	4	Cap Screw, Flat Hd., 1/4-20 x 3/4"
17	1800001	1	Warning Label
18	6010560	1	Blade Guard Hinge Assembly

ITEM	PART NO.	QTY.	DESCRIPTION
19	6010549	1	Blade Guard Hinge
20	2900014	4	Flat Washer, 3/8" SAE
21	2900006	4	Lock Washer, 3/8" Split
22	2900005	4	Cap Screw, Hex Hd., 3/8-16 x 1"
23	2900479	1	Cap Screw, Hex Hd., 3/4-10 x 4"
24	2900467	1	Lock Nut, 3/4-10 Nylon

# 30" Blade Guard Assembly #6010606

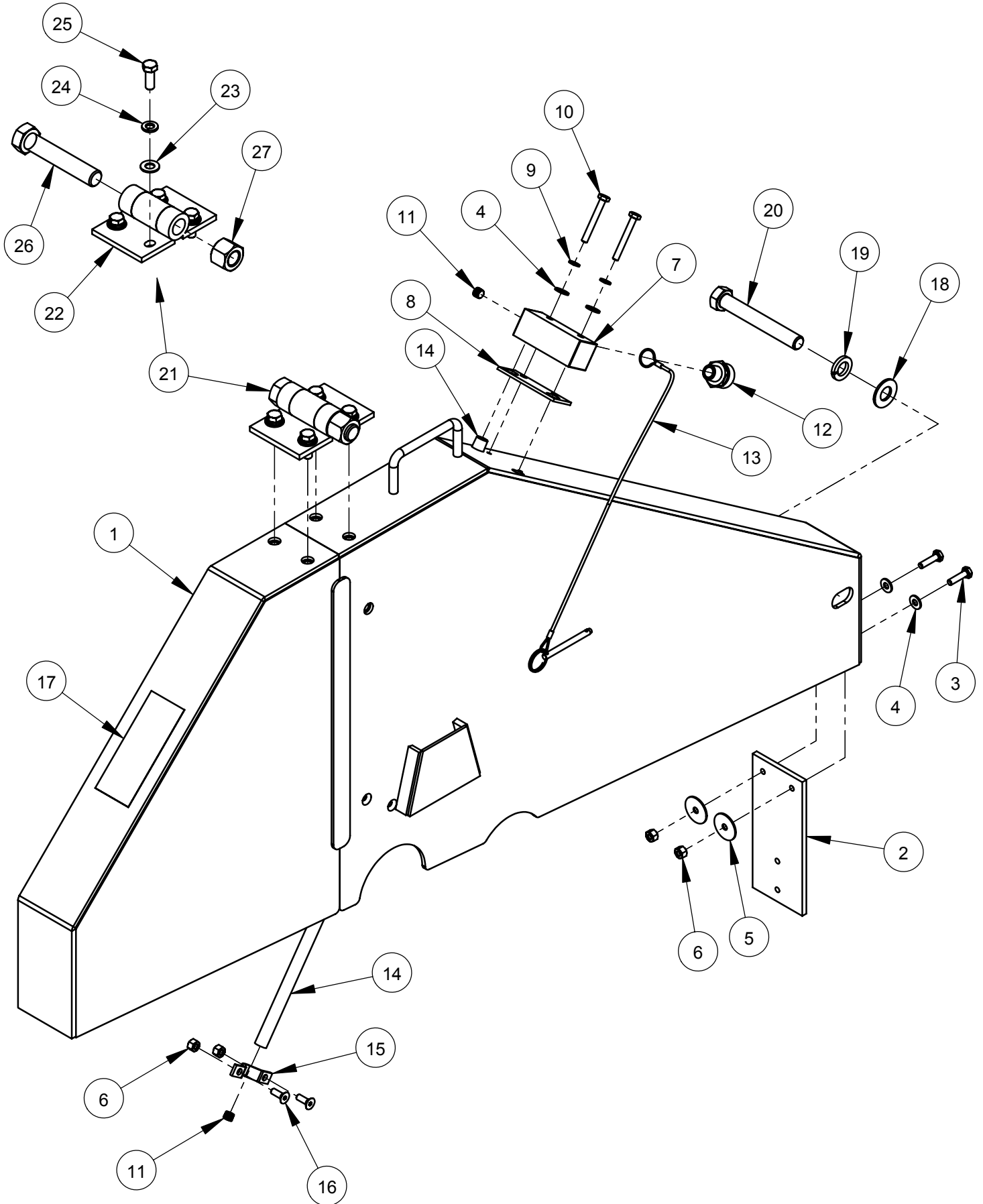


## 30" Blade Guard Assembly #6010606

ITEM	PART NO.	QTY.	DESCRIPTION
1	6010607	1	30" Blade Guard Front & Rear Only
2	6010081	1	Splash Flap
3	2900008	2	Cap Screw, Hex Hd., 1/4-20 x 1"
4	2900009	4	Flat Washer, 1/4" SAE
5	2900083	2	Fender Washer, 1/4" x 1-1/4"
6	2900010	6	Lock Nut, 1/4-20 Nylon
7	6010261	1	Water Manifold
8	2500830	1	Water Manifold Gasket
9	2900024	2	Lock Washer, 1/4" Split
10	2900294	2	Cap Screw, Hex Hd., 1/4-20 x 2"
11	3200001	3	Plug, 1/8" NPT
12	3200002	1	Fitting, 3/8" M. Pipe to 3/4" M. Garden
13	2900279	1	Lanyard with Lock Pin
14	6010087	2	Water Tube for 30" Guard
15	6048155	2	Water Tube Clamp
16	2900020	4	Cap Screw, Flat Hd., 1/4-20 x 3/4"
17	1800001	1	Warning Label
18	6010560	1	Blade Guard Hinge Assembly

ITEM	PART NO.	QTY.	DESCRIPTION
19	6010549	1	Blade Guard Hinge
20	2900014	4	Flat Washer, 3/8" SAE
21	2900006	4	Lock Washer, 3/8" Split
22	2900005	4	Cap Screw, Hex Hd., 3/8-16 x 1"
23	2900479	1	Cap Screw, Hex Hd., 3/4-10 x 4"
24	2900467	1	Lock Nut, 3/4-10 Nylon

# 36" Blade Guard Assembly #6010608



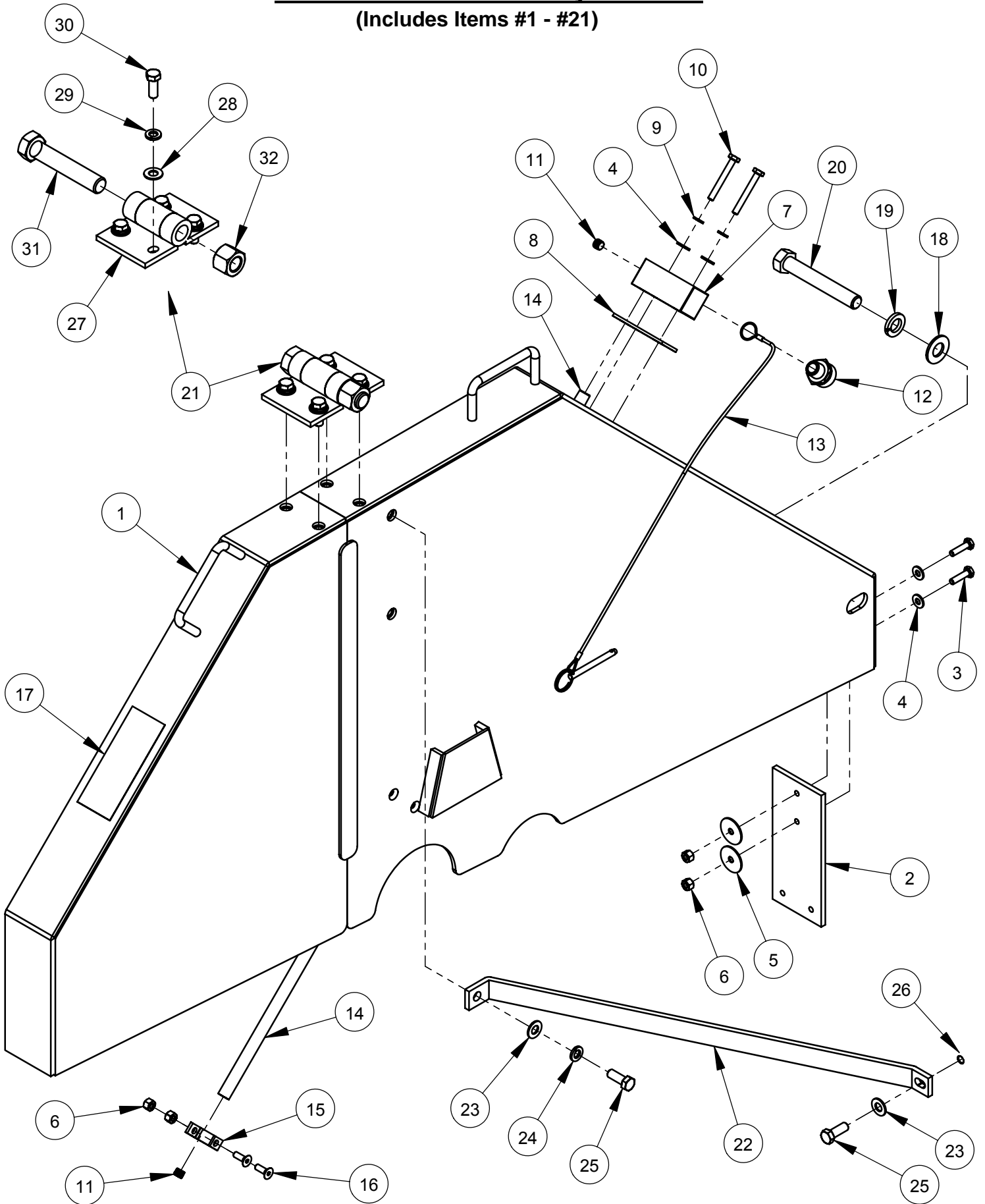
## 36" Blade Guard Assembly #6010608

ITEM	PART NO.	QTY.	DESCRIPTION
1	6010609	1	36" Blade Guard Front & Rear Only
2	6010081	1	Splash Flap
3	2900008	2	Cap Screw, Hex Hd., 1/4-20 x 1"
4	2900009	4	Flat Washer, 1/4" SAE
5	2900083	2	Fender Washer, 1/4" x 1-1/4"
6	2900010	6	Lock Nut, 1/4-20 Nylon
7	6010264	1	Water Manifold for 36" Guard
8	2500830	1	Water Manifold Gasket
9	2900024	2	Lock Washer, 1/4" Split
10	2900294	2	Cap Screw, Hex Hd., 1/4-20 x 2"
11	3200001	3	Plug, 1/8" NPT
12	3200002	1	Fitting, 3/8" M. Pipe to 3/4" M. Garden
13	2900280	1	Lanyard with Lock Pin
14	6010088	2	Water Tube for 36" Guard
15	6048155	2	Water Tube Clamp
16	2900020	4	Cap Screw, Flat Hd., 1/4-20 x 3/4"
17	1800001	1	Warning Label
18	2900002	1	Flat Washer, 5/8" SAE
19	2900113	1	Lock Washer, 5/8" Split
20	2900585	1	Cap Screw, Hex Hd., 5/8-11 x 4-1/2"
21	6010560	1	Blade Guard Hinge Assembly

ITEM	PART NO.	QTY.	DESCRIPTION
22	6010549	1	Blade Guard Hinge
23	2900014	4	Flat Washer, 3/8" SAE
24	2900006	4	Lock Washer, 3/8" Split
25	2900005	4	Cap Screw, Hex Hd., 3/8-16 x 1"
26	2900479	1	Cap Screw, Hex Hd., 3/4-10 x 4"
27	2900467	1	Lock Nut, 3/4-10 Nylon

**42" Blade Guard Assembly #6010610**

(Includes Items #1 - #21)



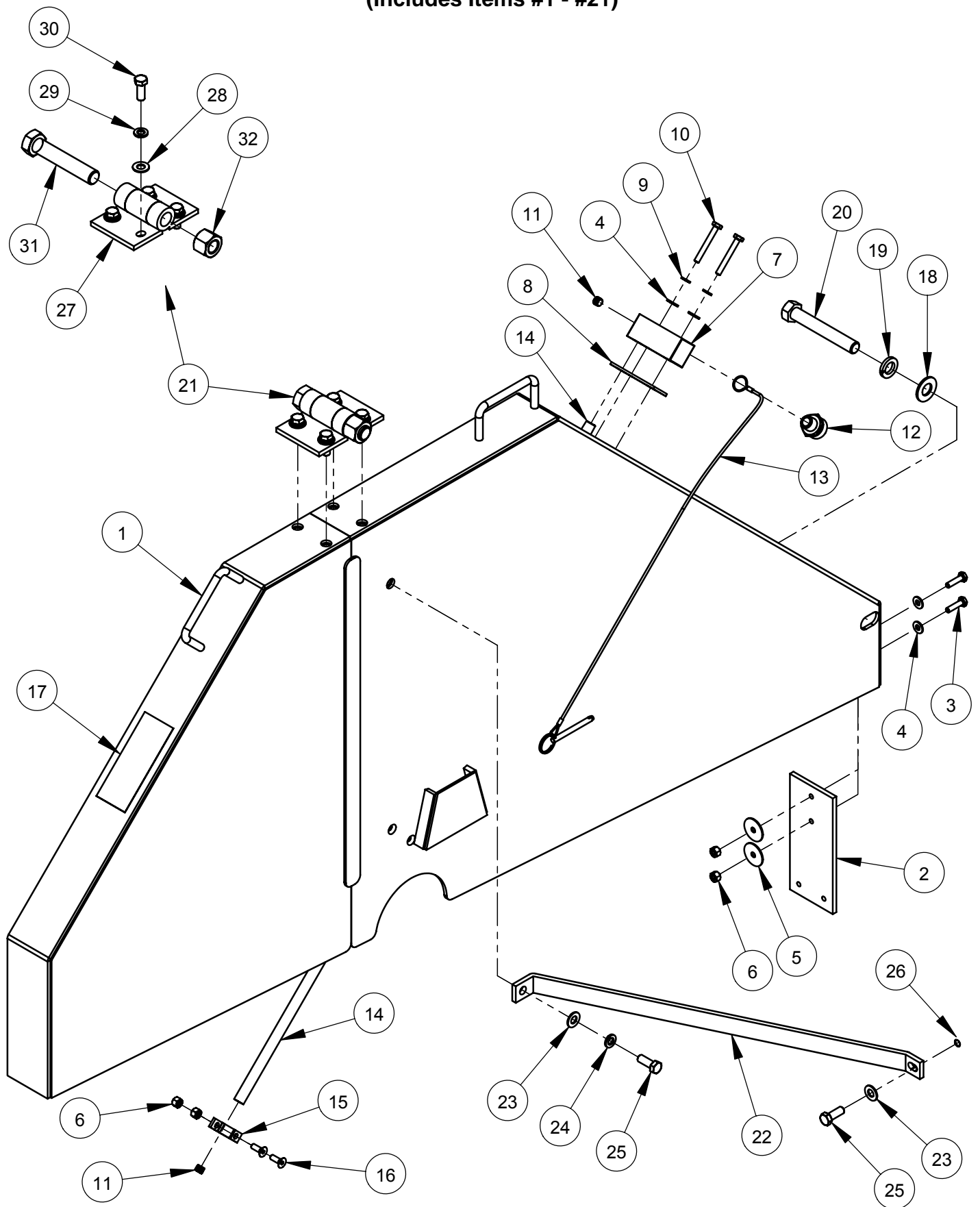
**42" Blade Guard Assembly #6010610**  
**(Includes Items #1 - #21)**

ITEM	PART NO.	QTY.	DESCRIPTION
1	6010611	1	42" Blade Guard Front & Rear Only
2	6010081	1	Splash Flap
3	2900008	2	Cap Screw, Hex Hd., 1/4-20 x 1"
4	2900009	4	Flat Washer, 1/4" SAE
5	2900083	2	Fender Washer, 1/4" x 1-1/4"
6	2900010	6	Lock Nut, 1/4-20 Nylon
7	6010273	1	Water Manifold
8	2500859	1	Water Manifold Gasket
9	2900024	2	Lock Washer, 1/4" Split
10	2900294	2	Cap Screw, Hex Hd., 1/4-20 x 2"
11	3200001	3	Plug, 1/8" NPT
12	3200002	1	Fitting, 3/8" M. Pipe to 3/4" M. Garden
13	2900280	1	Lanyard with Lock Pin
14	6010114	2	Water Tube for 42" Guard
15	6048155	2	Water Tube Clamp
16	2900020	4	Cap Screw, Flat Hd., 1/4-20 x 3/4"
17	1800001	1	Warning Label
18	2900002	1	Flat Washer, 5/8" SAE
19	2900113	1	Lock Washer, 5/8" Split
20	2900601	1	Cap Screw, Hex Hd., 5/8-11 x 4-1/4"
21	6010560	1	Blade Guard Hinge Assembly
22	6013111	1	Blade Guard Brace
23	2900014	2	Flat Washer, 3/8" SAE
24	2900006	1	Lock Washer, 3/8" Split
25	2900005	2	Cap Screw, Hex Hd., 3/8-16 x 1"
26	2900018	1	Lock Nut, 3/8-16 Nylon

ITEM	PART NO.	QTY.	DESCRIPTION
27	6010549	1	Blade Guard Hinge
28	2900014	4	Flat Washer, 3/8" SAE
29	2900006	4	Lock Washer, 3/8" Split
30	2900005	4	Cap Screw, Hex Hd., 3/8-16 x 1"
31	2900479	1	Cap Screw, Hex Hd., 3/4-10 x 4"
32	2900467	1	Lock Nut, 3/4-10 Nylon

# **48" Blade Guard Assembly #6010612**

**(Includes Items #1 - #21)**



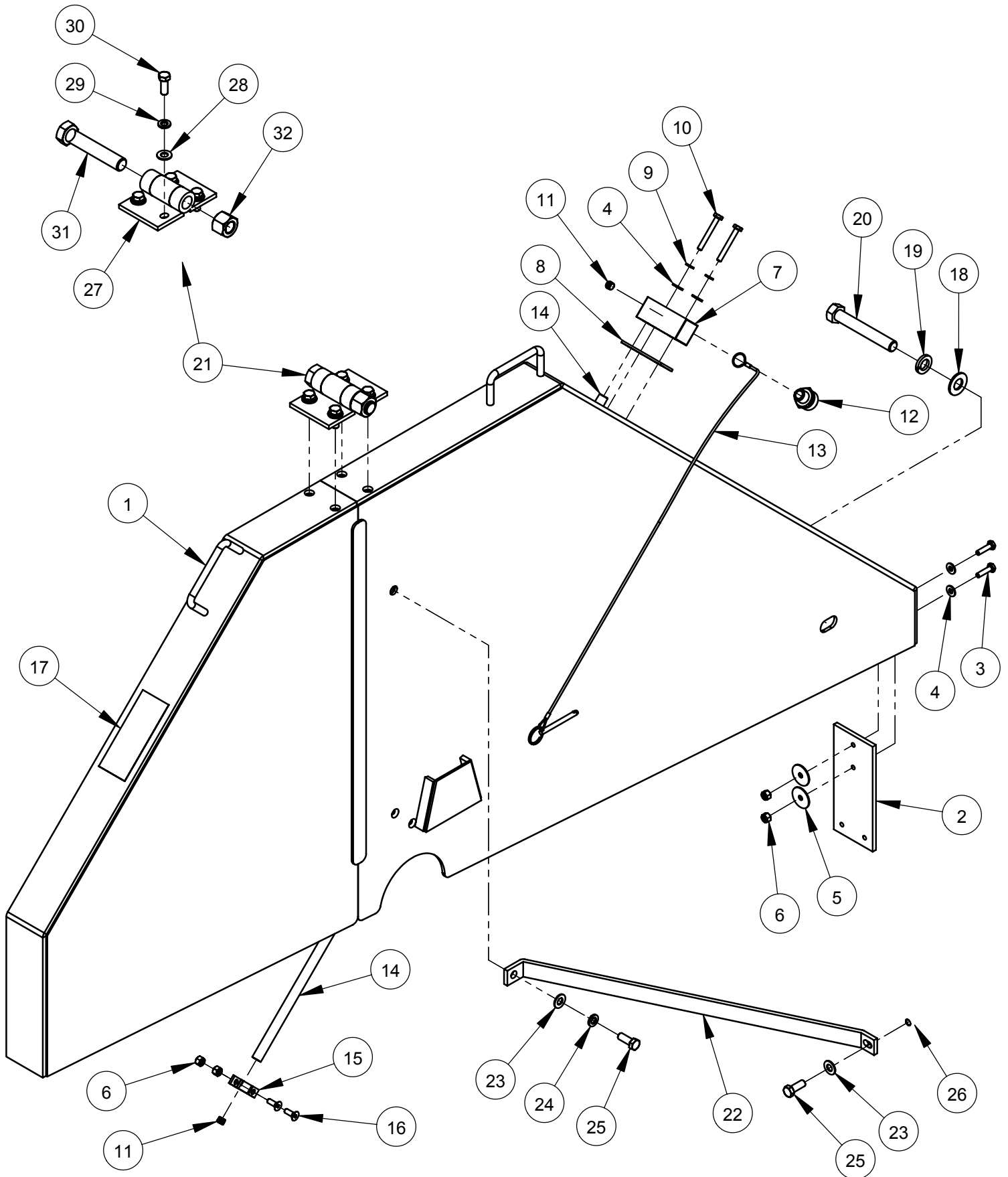


**48" Blade Guard Assembly #6010612**  
**(Includes Items #1 - #21)**

ITEM	PART NO.	QTY.	DESCRIPTION
1	6010613	1	48" Blade Guard Front & Rear Only
2	6010081	1	Splash Flap
3	2900008	2	Cap Screw, Hex Hd., 1/4-20 x 1"
4	2900009	4	Flat Washer, 1/4" SAE
5	2900083	2	Fender Washer, 1/4" x 1-1/4"
6	2900010	6	Lock Nut, 1/4-20 Nylon
7	6010273	1	Water Manifold
8	2500859	1	Water Manifold Gasket
9	2900024	2	Lock Washer, 1/4" Split
10	2900294	2	Cap Screw, Hex Hd., 1/4-20 x 2"
11	3200001	3	Plug, 1/8" NPT
12	3200002	1	Fitting, 3/8" M. Pipe to 3/4" M. Garden
13	2900281	1	Lanyard with Lock Pin
14	6010115	2	Water Tube for 48" Guard
15	6048155	2	Water Tube Clamp
16	2900020	4	Cap Screw, Flat Hd., 1/4-20 x 3/4"
17	1800001	1	Warning Label
18	2900002	1	Flat Washer, 5/8" SAE
19	2900113	1	Lock Washer, 5/8" Split
20	2900601	1	Cap Screw, Hex Hd., 5/8-11 x 4-1/4"
21	6010560	1	Blade Guard Hinge Assembly
22	6013111	1	Blade Guard Brace
23	2900014	2	Flat Washer, 3/8" SAE
24	2900006	1	Lock Washer, 3/8" Split
25	2900005	2	Cap Screw, Hex Hd., 3/8-16 x 1"
26	2900018	1	Lock Nut, 3/8-16 Nylon

ITEM	PART NO.	QTY.	DESCRIPTION
27	6010549	1	Blade Guard Hinge
28	2900014	4	Flat Washer, 3/8" SAE
29	2900006	4	Lock Washer, 3/8" Split
30	2900005	4	Cap Screw, Hex Hd., 3/8-16 x 1"
31	2900479	1	Cap Screw, Hex Hd., 3/4-10 x 4"
32	2900467	1	Lock Nut, 3/4-10 Nylon

**54" Blade Guard Assembly #6010614**  
(Includes Items #1 - #21)

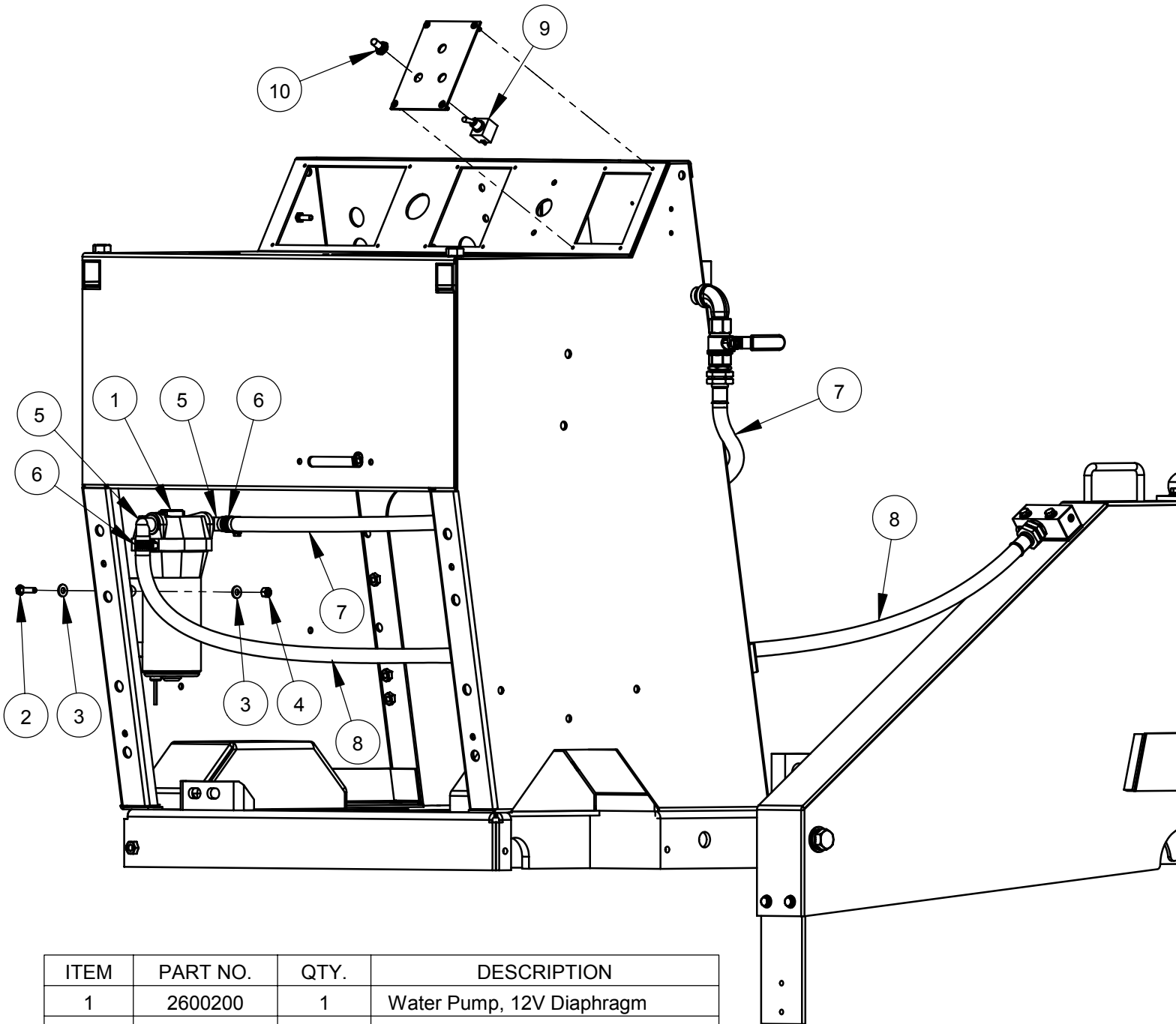


**54" Blade Guard Assembly #6010614**  
**(Includes Items #1 - #21)**

ITEM	PART NO.	QTY.	DESCRIPTION
1	6010615	1	54" Blade Guard Front & Rear Only
2	6010081	1	Splash Flap
3	2900008	2	Cap Screw, Hex Hd., 1/4-20 x 1"
4	2900009	4	Flat Washer, 1/4" SAE
5	2900083	2	Fender Washer, 1/4" x 1-1/4"
6	2900010	6	Lock Nut, 1/4-20 Nylon
7	6010273	1	Water Manifold
8	2500859	1	Water Manifold Gasket
9	2900024	2	Lock Washer, 1/4" Split
10	2900294	2	Cap Screw, Hex Hd., 1/4-20 x 2"
11	3200001	3	Plug, 1/8" NPT
12	3200002	1	Fitting, 3/8" M. Pipe to 3/4" M. Garden
13	2900281	1	Lanyard with Lock Pin
14	6013023	2	Water Tube for 54" Guard
15	6048155	2	Water Tube Clamp
16	2900020	4	Cap Screw, Flat Hd., 1/4-20 x 3/4"
17	1800001	1	Warning Label
18	2900002	1	Flat Washer, 5/8" SAE
19	2900113	1	Lock Washer, 5/8" Split
20	2900601	1	Cap Screw, Hex Hd., 5/8-11 x 4-1/4"
21	6010560	1	Blade Guard Hinge Assembly
22	6013111	1	Blade Guard Brace
23	2900014	2	Flat Washer, 3/8" SAE
24	2900006	1	Lock Washer, 3/8" Split
25	2900005	2	Cap Screw, Hex Hd., 3/8-16 x 1"
26	2900018	1	Lock Nut, 3/8-16 Nylon

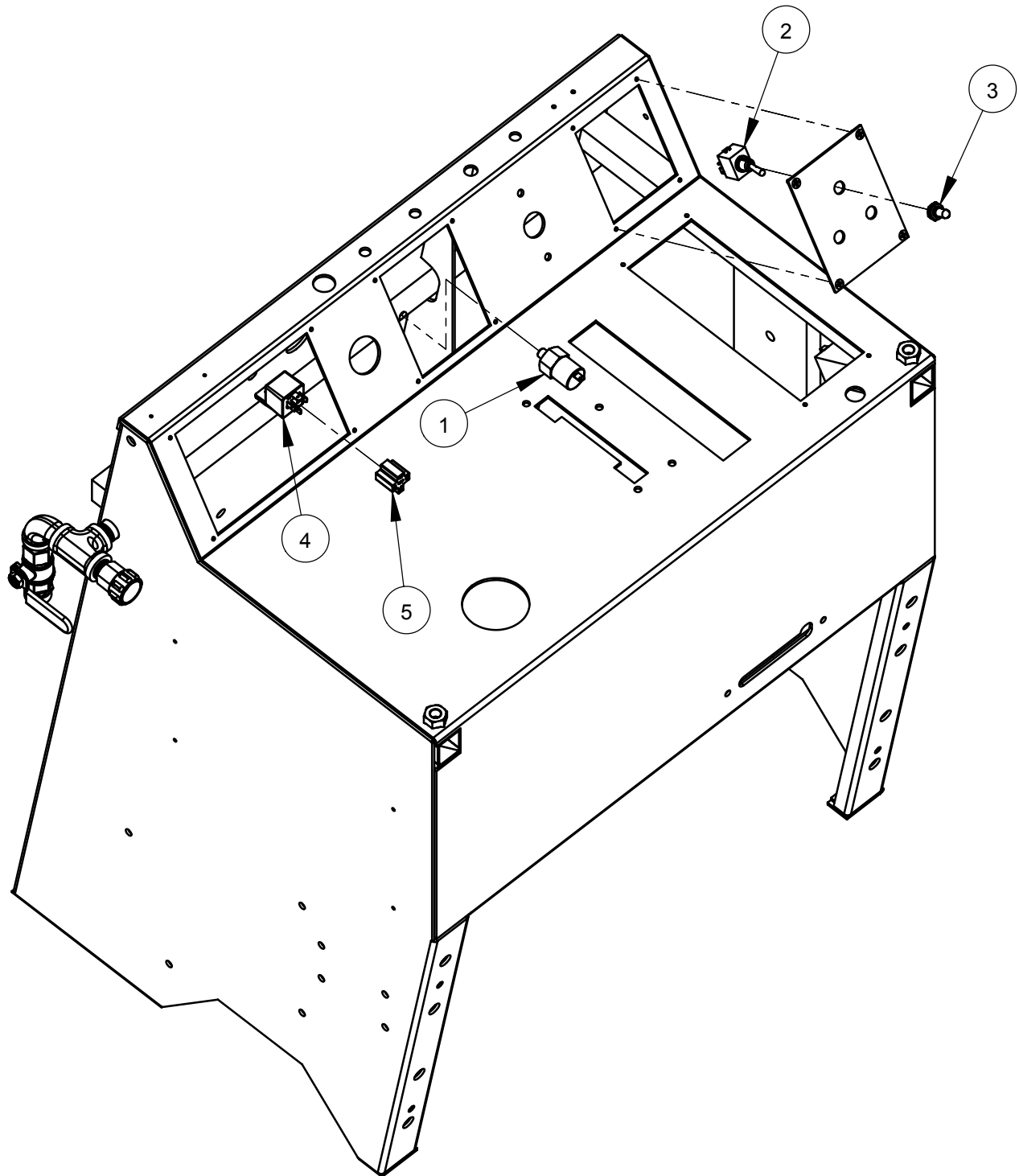
ITEM	PART NO.	QTY.	DESCRIPTION
27	6010549	1	Blade Guard Hinge
28	2900014	4	Flat Washer, 3/8" SAE
29	2900006	4	Lock Washer, 3/8" Split
30	2900005	4	Cap Screw, Hex Hd., 3/8-16 x 1"
31	2900479	1	Cap Screw, Hex Hd., 3/4-10 x 4"
32	2900467	1	Lock Nut, 3/4-10 Nylon

## Optional Water Pump Assembly #6011032



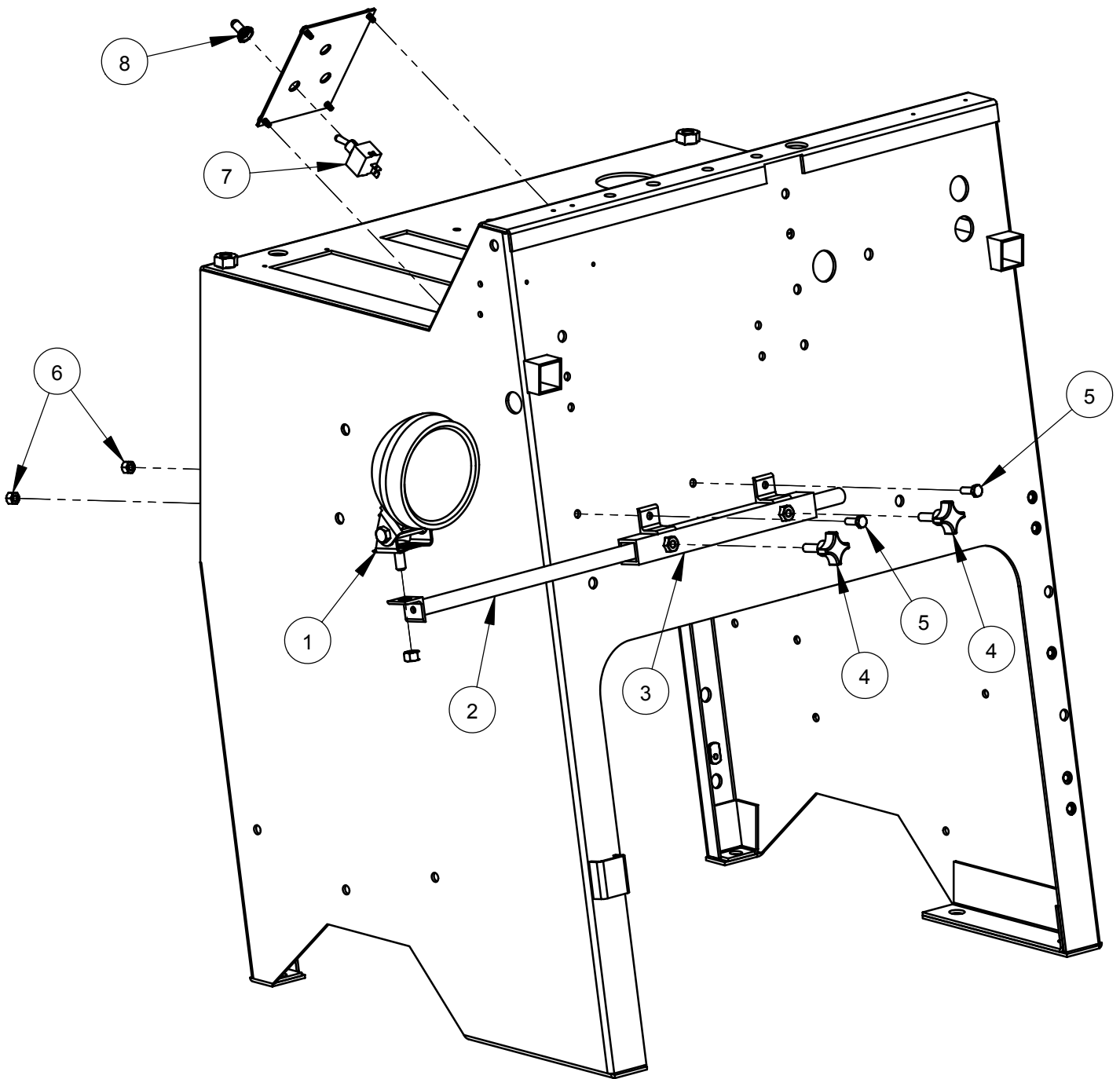
ITEM	PART NO.	QTY.	DESCRIPTION
1	2600200	1	Water Pump, 12V Diaphragm
2	2900008	4	Cap Screw, Hex Hd., 1/4-20 x 1"
3	2900009	8	Flat Washer, 1/4" SAE
4	2900010	4	Lock Nut, 1/4-20 Nylon
5	2701694	2	Port Fitting, 1/2" Barb x 90 Degree
6	3200016	2	Hose Clamp #8
7	6010302	1	Hose Assembly, 4 Foot
8	6010303	1	Hose Assembly, 5 Foot
9	2800062	1	Toggle Switch
10	2800063	1	Switch Boot

## Optional Water Safety Switch Assembly #6010522



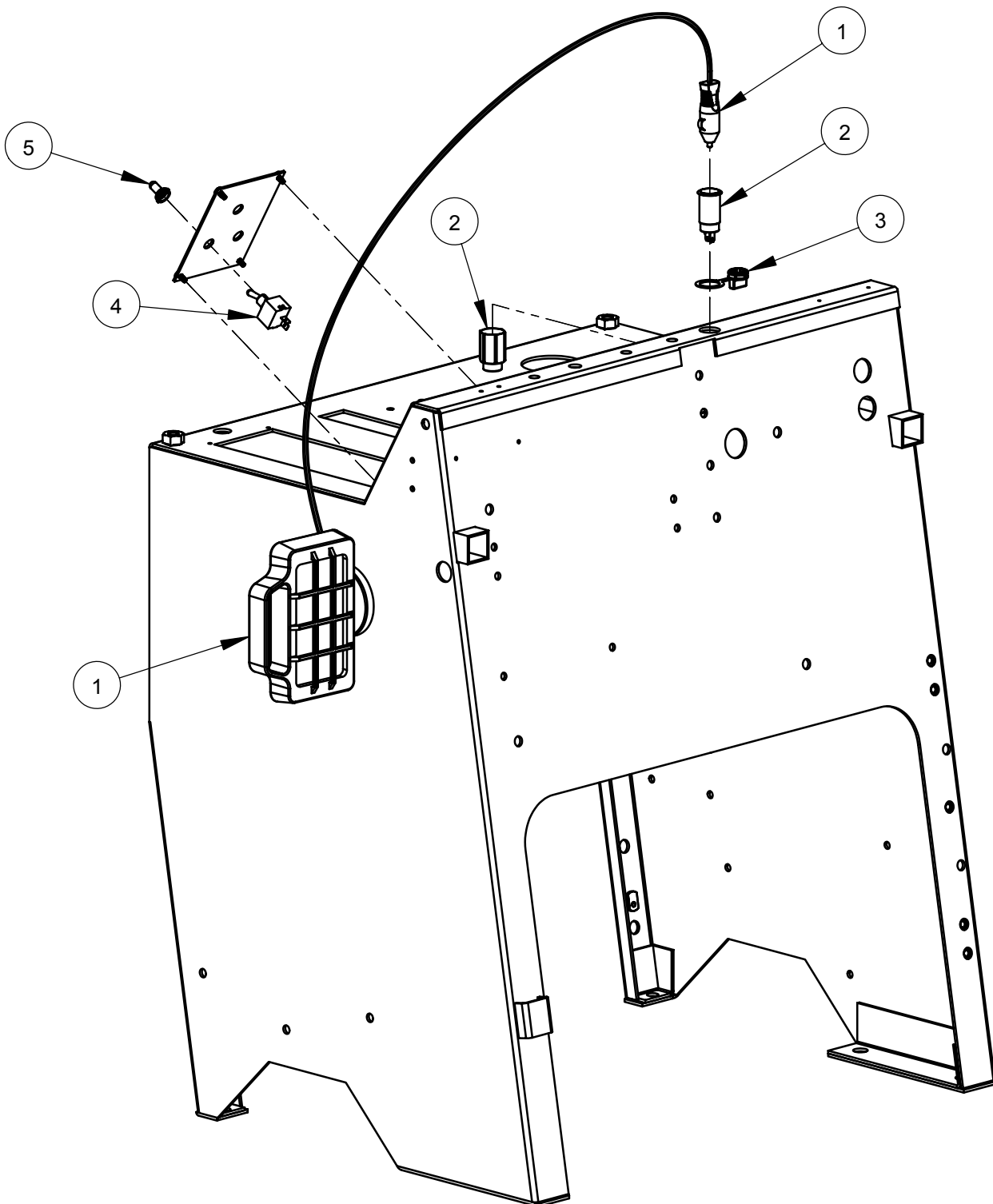
ITEM	PART NO.	QTY.	DESCRIPTION
1	2800060	1	Water Pressure Safety Switch
2	2800062	1	Toggle Switch
3	2800063	1	Switch Boot
4	2800144	1	Relay
5	2800263	1	Relay Connector

## Optional Spot Light Assembly #6010112



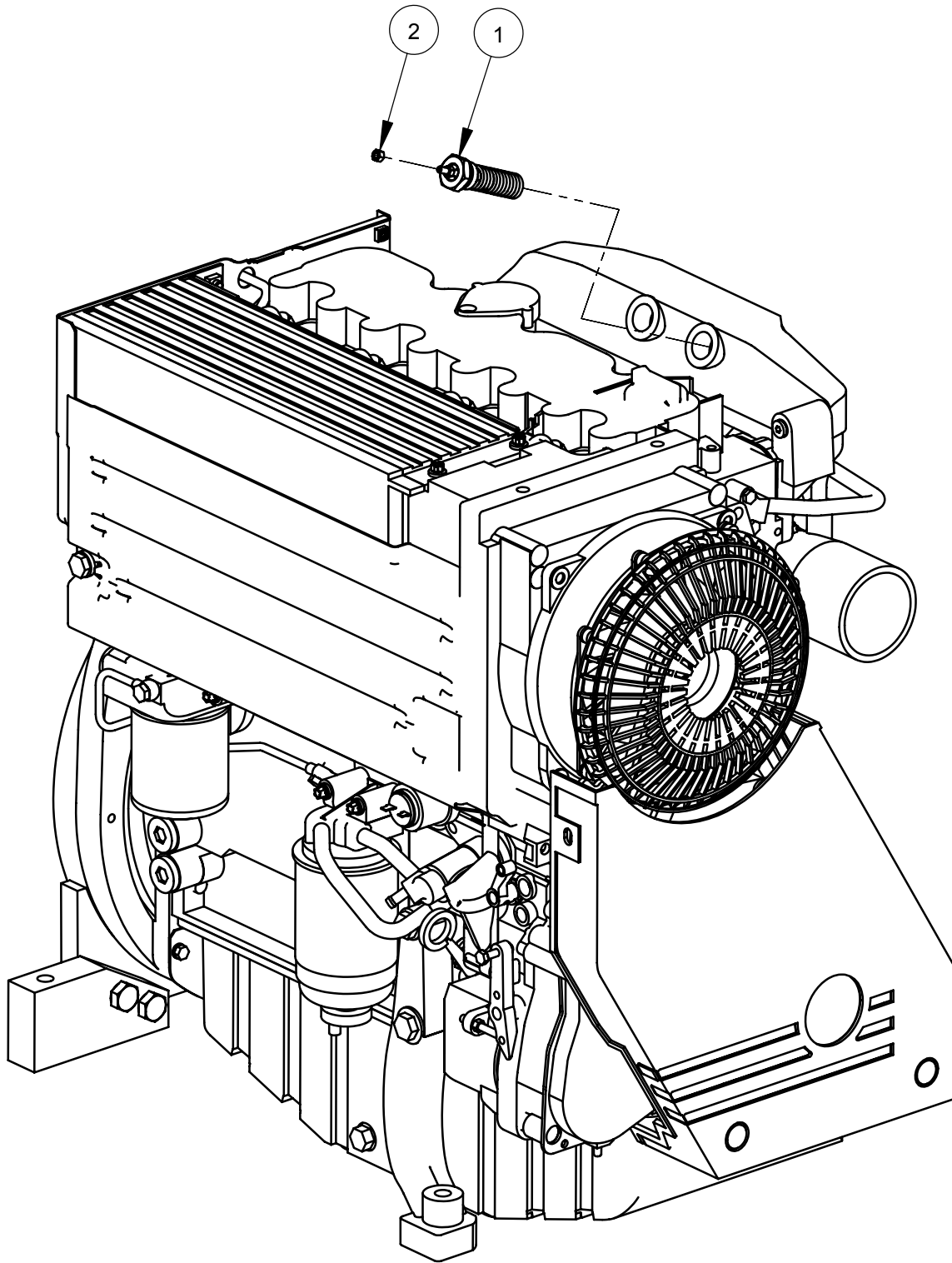
ITEM	PART NO.	QTY.	DESCRIPTION
1	2500194	1	Spot Light, 12 Volt
2	6010106	1	Light Bar
3	6010107	1	Light Bar Mount Bracket
4	2400157	2	Hand Lock Knob, 5/16-18 x 1"
5	2900144	2	Cap Screw, Hex Hd., 1/4-20 x 3/4"
6	2900010	2	Lock Nut, 1/4-20 Nylon
7	2800062	1	Toggle Switch
8	2800063	1	Switch Boot

## Optional Magentic Spot Light Assembly #6011170



ITEM	PART NO.	QTY.	DESCRIPTION
1	2501087	1	Light, 12V Magnetic Base
2	2800374	1	Outlet, 12 Volt Power
3	2800375	1	Cap, 12 Volt Power Outlet
4	2800062	1	Toggle Switch
5	2800063	1	Switch Boot

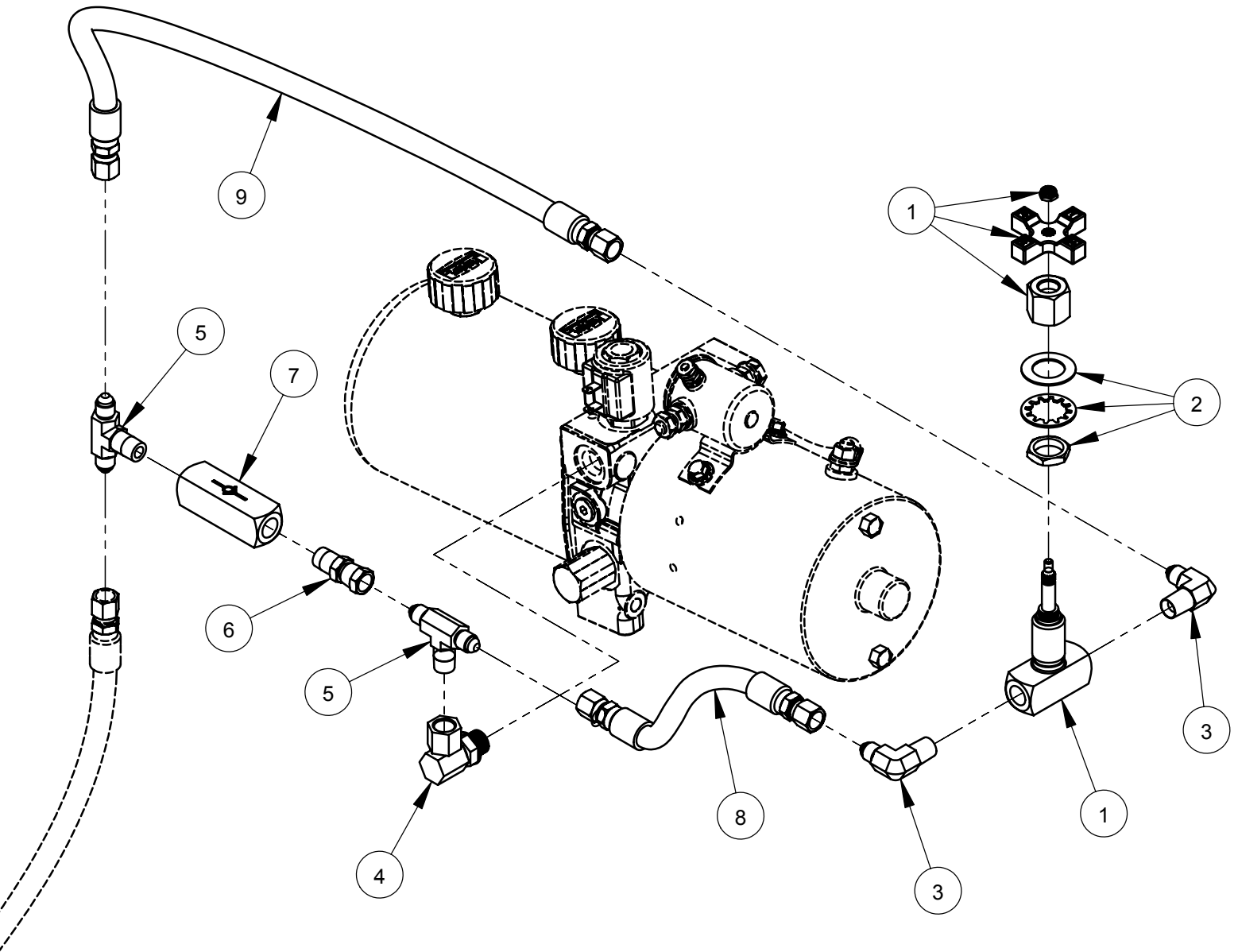
## Optional Glow Plug Assembly #6010596



ITEM	PART NO.	QTY.	DESCRIPTION
1	2701698	1	Glow Plug
2	2900301	1	Lock Nut, M5 Nylon

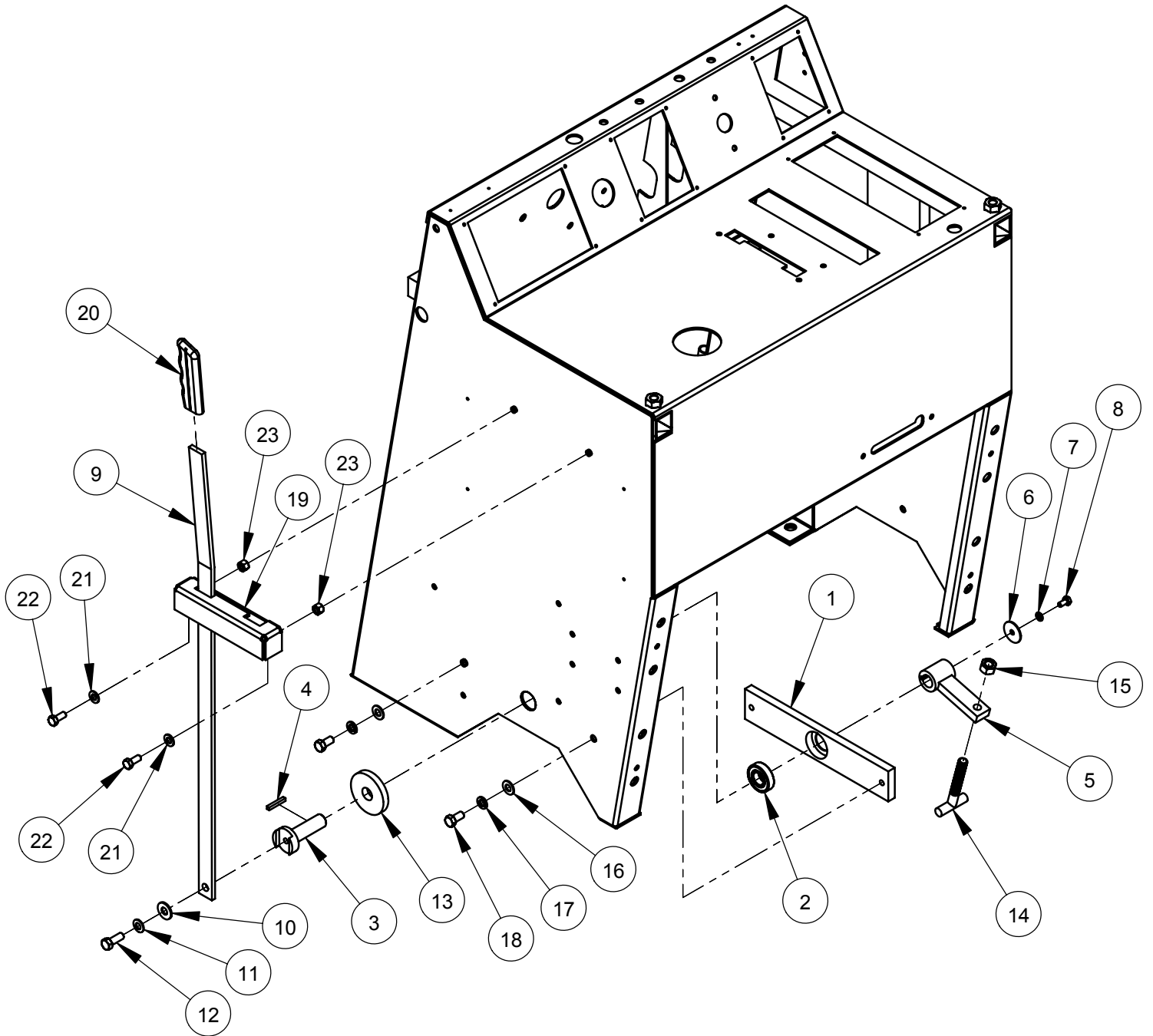


## Optional Lowering Speed Metering Valve Assembly #6010227



ITEM	PART NO.	QTY.	DESCRIPTION
1	3200211	1	Valve, 1/4" Metering
2	3200212	1	Panel Mounting Kit
3	3200057	2	Elbow, 1/4" M. Pipe to 1/4" M. JIC
4	3200115	1	Elbow, 3/8" O-Ring to 1/4" F. Pipe
5	3200213	2	Tee, 1/4" M. JIC to 1/4" M. Pipe
6	3200219	1	Adapter, 1/4" M. Pipe to 1/4" F. JIC
7	3200218	1	Check Valve
8	6010247	1	Hose Assembly, 8" Long
9	6010248	1	Hose Assembly, 20" Long

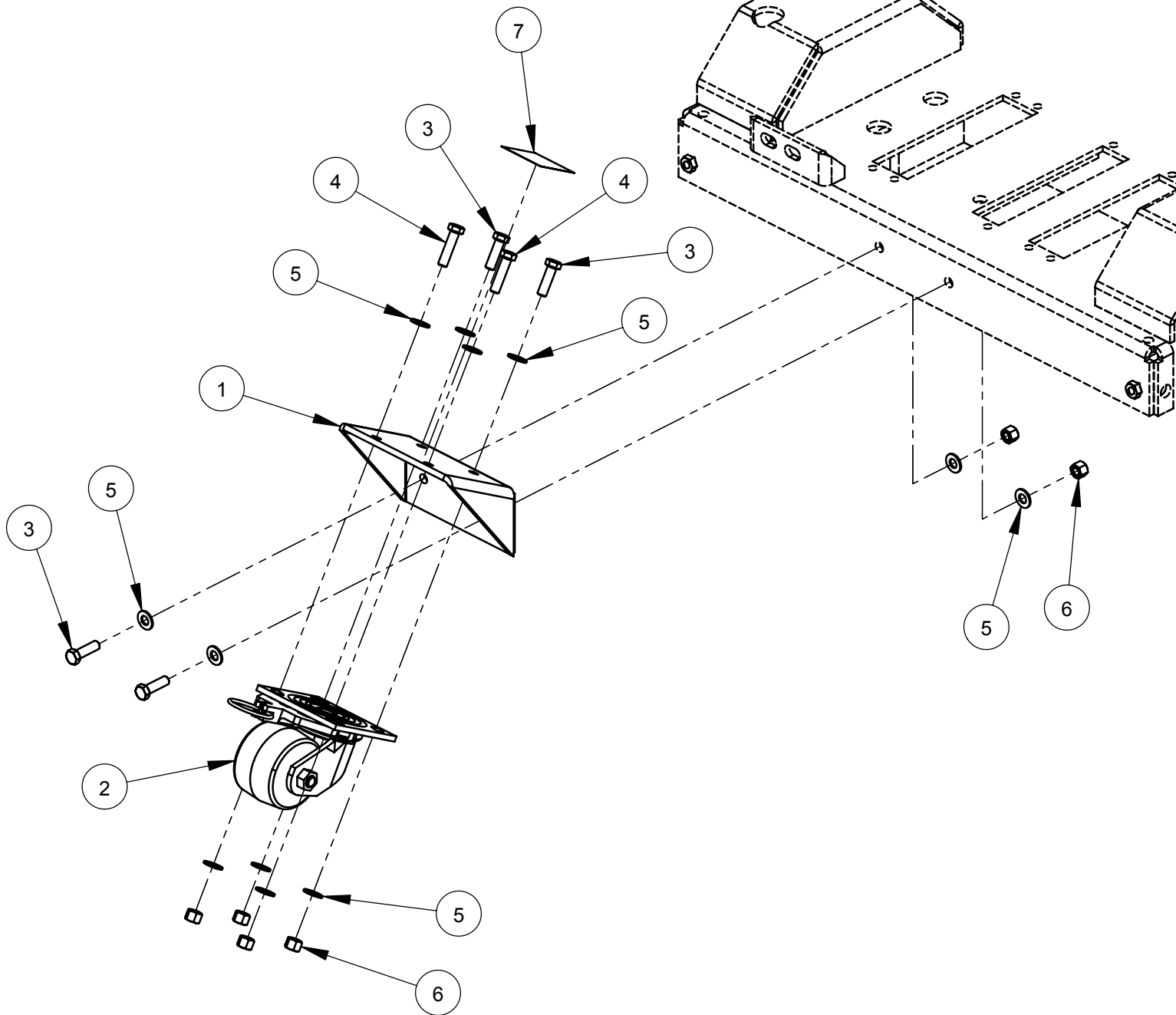
# Optional Parking Brake Assembly #6011228



## Optional Parking Brake Assembly #6011228

ITEM	PART NO.	QTY.	DESCRIPTION
1	6011229	1	Bearing Housing Bar
2	2501664	1	Ball Bearing, 3/4" x 1-5/8" x 7/16"
3	6011230	1	Pivot Pin
4	6048229	1	Key, 3/16" Sq. x 1-1/4"
5	6011231	1	Pivot Arm
6	2900083	1	Fender Washer, 1/4" x 1-1/4"
7	2900024	1	Lock Washer, 1/4" Split
8	2900082	1	Cap Screw, Hex Hd., 1/4-20 x 1/2"
9	6011232	1	Brake Lever
10	2900473	1	Flat Washer, 3/8" USS
11	2900474	1	Belleville Washer, 3/8"
12	2900005	1	Cap Screw, Hex Hd., 3/8-16 x 1"
13	6011234	1	Friction Washer, 3/4" x 2-1/2" x 3/8"
14	2900632	1	T-Bolt, 1/2-13
15	2900037	1	Hex Nut, 1/2-13
16	2900014	2	Flat Washer, 3/8" SAE
17	2900006	2	Lock Washer, 3/8" Split
18	2900196	2	Cap Screw, Hex Hd., 3/8-16 x 3/4"
19	6011233	1	Lever Gate
20	2500002	1	Lever Grip
21	2900022	2	Flat Washer, 5/16" SAE
22	2900019	2	Cap Screw, Hex Hd., 5/16-18 x 3/4"
23	2900039	2	Lock Nut, 5/16-18 Nylon

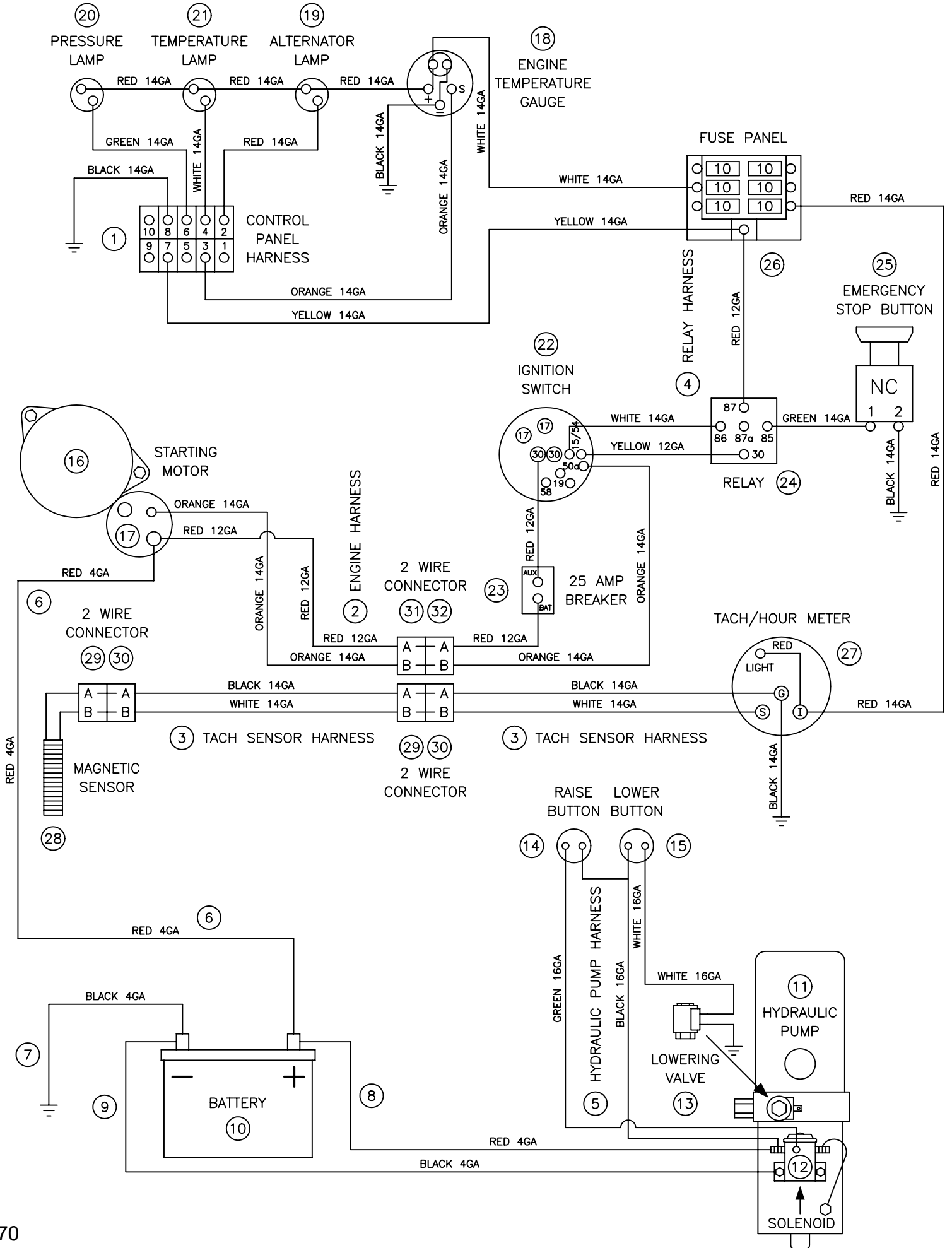
## Optional Bogie Wheel Assembly #6013100



ITEM	PART NO.	QTY.	DESCRIPTION
1	6013099	1	Caster Mounting Brace
2	2500654	1	Caster with Swivel Lock
3	2900013	4	Cap Screw, Hex Hd., 3/8-16 x 1-1/4"
4	2900029	2	Cap Screw, Hex Hd., 3/8-16 x 1-1/2"
5	2900014	12	Flat Washer, 3/8" SAE
6	2900018	6	Lock Nut, 3/8-16 Nylon
7	1800389	1	Warning Label

(BLANK)

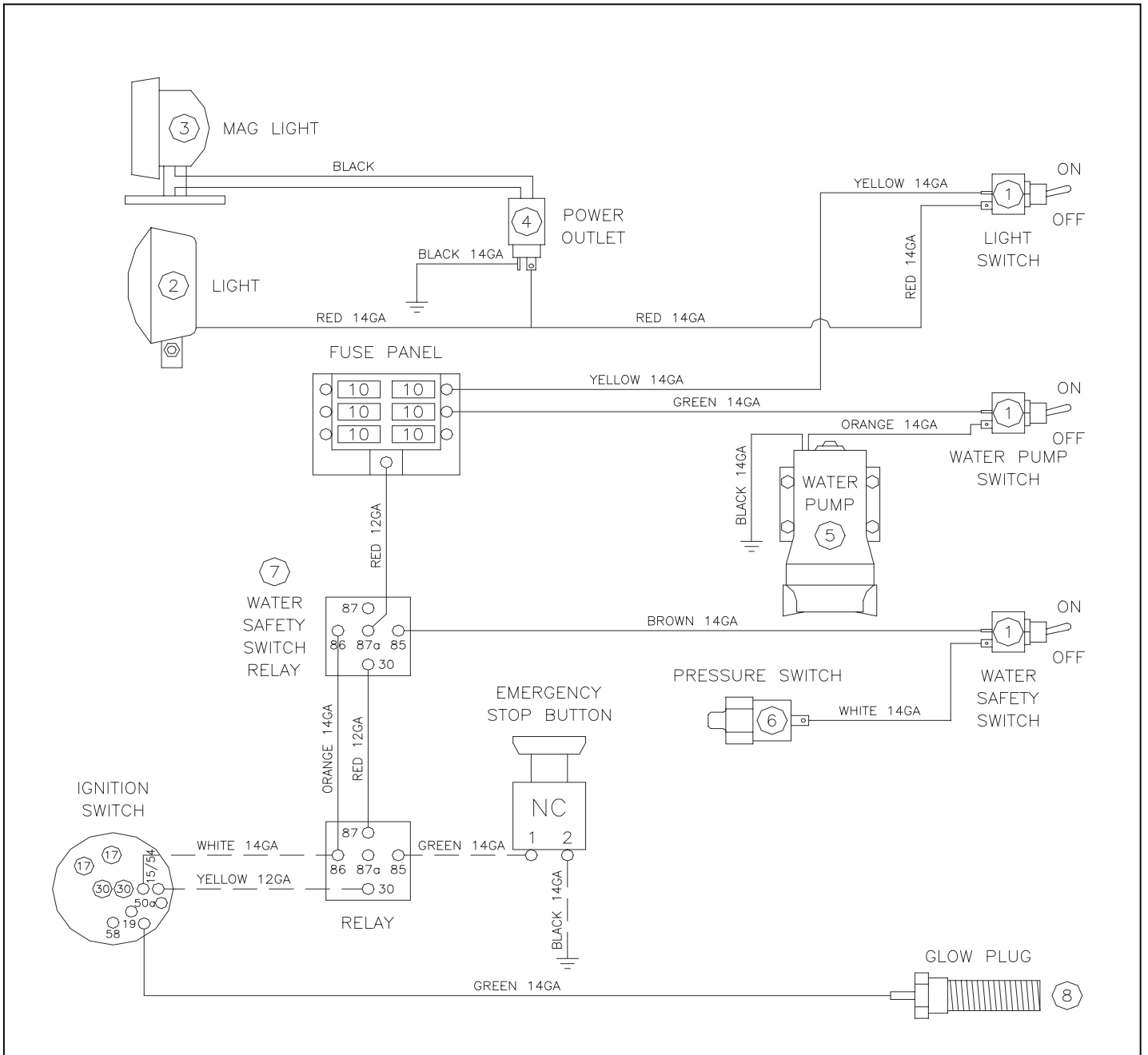
# Wiring Diagram



## Wiring Diagram

Item	Part No.	Qty.	Description	Item	Part No.	Qty.	Description
1	2800396	1	Control Panel Harness	23	2800387	1	Circuit Breaker, 25 Amp
2	2800429	1	Engine Harness (Includes #31 & #32)		2800364	1	Circuit Breaker Boot, Red
3	2800397	1	Tach Sensor Harness (Includes #29 & #30)	24	2800144	1	Relay
4	2800392	1	Relay Harness		2800263	1	Relay Connector
5	2800393	1	Hydraulic Pump Harness		2800264	4	Wire Terminal, 1/4" Push-on
6	2800073	1	Battery Cable, Positive (Red)	25	2800461	1	Emergency Stop Button
7	2800072	1	Battery Cable, Negative (Black)		2800462	1	Contact Block N.C.
8	2800095	1	Solenoid Cable, Positive (Red)	26	2800388	1	Fuse Panel, 6 Circuit
9	2800182	1	Ground Cable, Negative (Black)		2800389	6	Fuse, 10 Amp Red ATO/ATC
10	2800465	1	Battery, 12 Volt Group Size 24	27	2800168	1	Tach/Hour Meter
11	2600437	1	Hydraulic Pump Unit (Includes #12 & #13)		2800267	1	Light Bulb, Wedge Base
12	2700169	1	Solenoid, Motor	28	2800170	1	Magnetic Sensor (Includes #29)
13	2700243	1	Valve Coil	29	2800145	2	Connector, 2 Wire Shroud
	2700244	1	Valve Stem		2800114	4	Male Terminal, 14/16 Gage Wire
14	2800372	1	Pushbutton Switch, Raise		2800174	4	Cable Seal, Gray
15	2800373	1	Pushbutton Switch, Lower	30	2800146	2	Connector, 2 Wire Tower
16	2702274	1	Starting Motor (Includes #17)		2800115	4	Female Terminal, 14/16 Gage Wire
17	2701823	1	Solenoid Switch		2800174	4	Cable Seal, Gray
18	2702333	1	Engine Temperature Gauge	31	2800145	1	Connector, 2 Wire Shroud
19	2700785	1	Alternator Light		2800114	1	Male Terminal, 14/16 Gage Wire
	2700923	1	(Bulb Only)		2800112	1	Male Terminal, 12 Gage Wire
20	2700786	1	Oil Pressure Light		2800174	1	Cable Seal, Gray
	2700923	1	(Bulb Only)		2800175	1	Cable Seal, Blue
21	2700787	1	Oil Temperature Light	32	2800146	1	Connector, 2 Wire Tower
	2700923	1	(Bulb Only)		2800115	1	Female Terminal, 14/16 Gage Wire
22	2700783	1	Ignition Switch		2800113	1	Female Terminal, 12 Gage Wire
	2701261	1	Ignition Key		2800174	1	Cable Seal, Gray
					2800175	1	Cable Seal, Blue

# Options Wiring Diagram



Item	Part No.	Qty.	Description	Item	Part No.	Qty.	Description
1	2800062	3	Toggle Switch	5	2600200	1	Water Pump, 12V Diaphragm
	2800063	3	Switch Boot	6	2800060	1	Water Pressure Safety Switch
2	2500194	1	Spot Light, 12 Volt	7	2800144	1	Relay
3	2501087	1	Magnetic Base Light, 12 Volt		2800263	1	Relay Connector
4	2800374	1	Power Outlet, 12 Volt		2800264	4	Wire Terminal, 1/4" Push-on
	2800375	1	Outlet Cap	8	2701698	1	Glow Plug

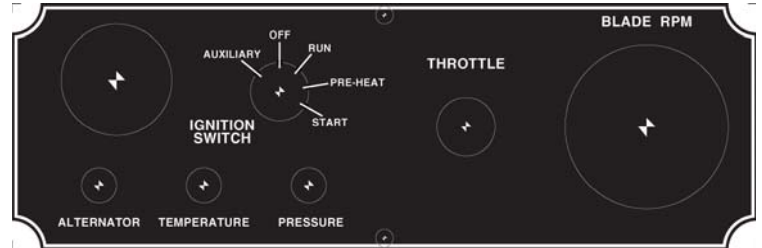


# Decal Group

# CORE CUT

# CC7200

CORE CUT DECAL  
#1800093 (Qty. 3)



INSTRUMENT PANEL DECAL  
#1800348

**DIAMOND PRODUCTS** **CORE CUT** 333 PROSPECT STREET  
ETWAL, OHIO 44818 USA  
PHONE 1-800-321-5336  
www.diamondproducts.com

**CC7272 / CC7265 RPM CHART**

BLADE SIZE	BLADE RPM	JACKSHAFT SHEAVE	ENGINE SHEAVE	ENGINE RPM	BELT SIZE	FLANGE SIZE	MAX CUT DEPTH
26"	1,925	3.65"	4.12"	2,800	3VX475	6"	9-3/4"
30"	1,500	4.12"	3.65"	2,800	3VX475	6"	11-3/4"
36"	1,025	6.00"	3.65"	2,800	3VX500	6"	14-3/4"
42"	1,025	6.00"	3.65"	2,800	3VX500	8"	16-3/4"
48"	775	8.00"	3.65"	2,800	3VX530	8"	19-3/4"
54"	775	8.00"	3.65"	2,800	3VX530	8"	22-3/4"

**WARNING**  
 • Always check the blade RPM before connecting blade.  
 • Only use blades with a rated speed higher than the bladehaft speed.  
 • Never exceed the maximum RPM stamped on blade. Over-speeding the blade can cause blade breakage and serious personal injury.  
 • When changing blade sets, always adjust bladehaft RPM according to the speed chart to match recommended blade RPM.  
 • Do not use a blade longer or smaller than indicated for each blade.  
 • Never operate saw without the blade guard in place or allow blade adjustment to exceed 1/8" degree.  
 • Never stand in line with the blade path when starting or operating saw.  
 • Never use damaged blades or equipment.  
 • Refer to operator's manual for additional information about safety, operation and maintenance.

**ADVERTENCIA**  
 • Siempre cheque la velocidad de la hoja antes de conectar la hoja.  
 • Solo use hojas con una velocidad nominal superior a la velocidad de la hoja.  
 • Nunca exceda la velocidad máxima indicada en la hoja. Exceder la velocidad máxima puede causar rotura de la hoja e lesiones personales graves.  
 • Cuando cambie los juegos de hojas, siempre ajuste la velocidad de la hoja de acuerdo al gráfico de velocidad para coincidir con la velocidad recomendada de la hoja.  
 • No use una hoja más larga o más pequeña de la indicada para cada hoja.  
 • Nunca opere la sierra sin la guarda de la hoja en su lugar o permita que el ajuste de la hoja exceda 1/8" de grado.  
 • Nunca se ponga en línea con el camino de la hoja al arrancar o al operar la sierra.  
 • Nunca use hojas dañadas o equipo.  
 • Consulte el manual del operador para obtener información adicional sobre seguridad, operación y mantenimiento.

RPM CHART DECAL  
#1800584

**WARNING**

TO PREVENT SERIOUS INJURY  
DO NOT OPERATE SAW  
WITHOUT PROPER TRAINING  
& FULL UNDERSTANDING  
OF THE OWNERS MANUAL

WHEN OPERATING THIS MACHINE  
KEEP ALL  
GUARDS IN  
PLACE

ALWAYS WEAR SAFETY APPROVED

- HEARING PROTECTION
- EYE OR FACE PROTECTION
- HEAD PROTECTION
- RESPIRATOR

S.M.I. MASONRY AND CONCRETE  
SAW MANUFACTURERS INSTITUTE ©

WARNING DECAL  
#1800001

SAW LABELS SHEET  
#1800351

LUBRICATE PTO  
BEARINGS EVERY 50  
HOURS. PUMP GREASE  
UNTIL IT JUST BEGINS  
TO OOOZE OUT BEHIND  
THE V-RING SEAL.

GREASE DECAL  
#1800897



## Blade Speed Conversion Charts

**WARNING:** Do not exceed blade speed (RPM) shown for each blade size.  
Excessive blade speed could result in blade breakage and serious personal injury!

Blade Size	Blade Shaft		Engine		Max. Depth of Cut
	No Load RPM	Sheave Size	No Load RPM	Sheave Size	
26"	1,825	4"	3,000	4"	9-3/4"
30"	1,825	4"	3,000	4"	11-3/4"
36"	1,300	5.6"	3,000	4"	14-3/4"
42"	1,300	5.6"	3,000	4"	16-3/4"
48"	950	7.6"	3,000	4"	19-3/4"
54"	950	7.6"	3,000	4"	22-3/4"

**WARNING:** When changing blade size, use chart shown below for selecting items that must be changed.

Model CC7272	26"	30"	36"	42"	48"	54"
Blade Guard Assembly	6010604	6010606	6010608	6010610	6010612	6010614
Jackshaft Sheave (Sheave Size)	6010544 (4")	6010544 (4")	6013157 (5.6")	6013157 (5.6")	6013158 (7.6")	6013158 (7.6")
Drive Belts (10) (Belt Size)	2500298 (3VX475)	2500298 (3VX475)	2500371 (3VX500)	2500371 (3VX500)	2500438 (3VX530)	2500438 (3VX530)
Inner Flanges (2) (Flange Size)	6010038 (6")	6010038 (6")	6010038 (6")	6013017 (8")	6013017 (8")	6013017 (8")
Outer Flanges (2) (Flange Size)	6010039 (6")	6010039 (6")	6010039 (6")	6013018 (8")	6013018 (8")	6013018 (8")
Skid Plate Mounting Holes	Bottom Set	Bottom Set	Bottom Set	Middle Set	Middle Set	Middle Set

## EQUIPMENT AND PARTS WARRANTY

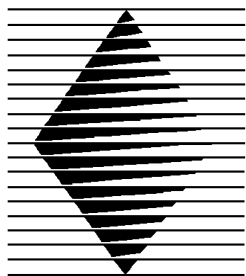
Diamond Products warrants all equipment manufactured by it against defects in workmanship or materials for a period of one (1) year from the date of shipment to Customer.

The responsibility of Diamond Products under this Warranty is limited to replacement or repair of defective parts at Diamond Products' Elyria, Ohio factory, or at a point designated by it, of such parts as shall appear to us upon inspection at such parts, to have been defective in material or workmanship, with expense for transportation and labor borne by Customer.

In no event shall Diamond Products be liable for consequential or incidental damages arising out of the failure of any Product to operate properly.

Integral units such as engines, electric motors, batteries, transmissions, etc., are excluded from this Warranty and are subject to the prime manufacturer's warranty.

**THIS WARRANTY IS IN LIEU OF ALL OTHER WARRANTIES, EXPRESSED OR IMPLIED, AND ALL SUCH OTHER WARRANTIES ARE HEREBY DISCLAIMED.**



# DIAMOND PRODUCTS

333 Prospect Street, Elyria, Ohio 44035  
(440) 323-4616 • (800) 321-5336 • Fax (440) 323-8689  
[www.diamondproducts.com](http://www.diamondproducts.com)