



CONCRETE SAW  
PARTS LIST

**MODEL**  
**CC7874XL**  
**EZ-RIDER**

JUNE 2014

Part #1801386

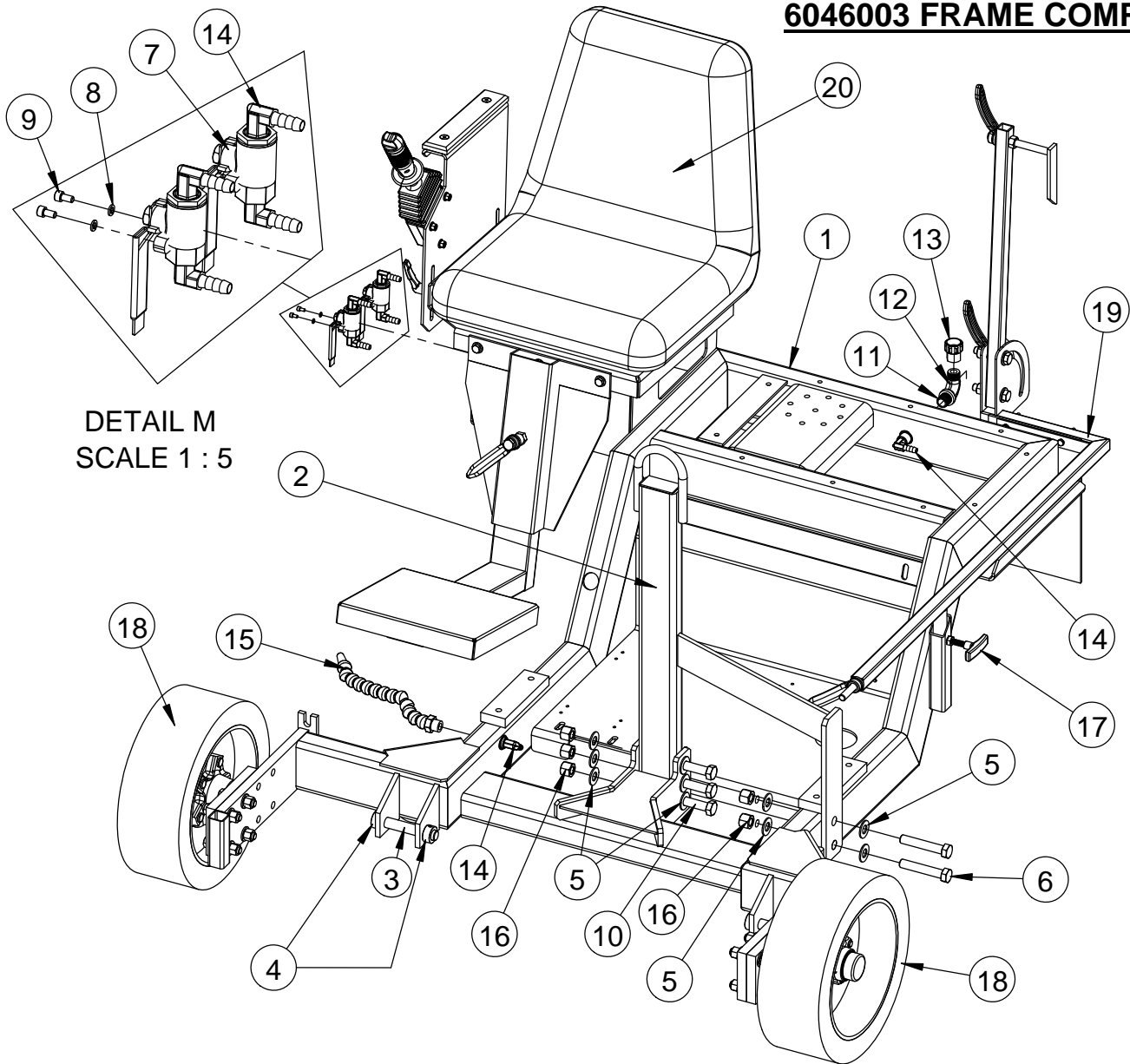
 **WARNING** 

**The engine exhaust from this product  
Contains chemicals known to the  
State of California to cause cancer,  
birth defects or other reproductive harm.**



Frame components .....	4
Guide Assembly .....	5
Wheel Assembly .....	6
Hub Assembly .....	7
Seat Components .....	8
Oil Filter Assembly .....	10
Manifold Block Assembly .....	11
Engine Components.....	12
Muffler Assembly.....	14
Air Filter Assembly .....	15
Fuel Hose Kit W/Filter .....	16
Pump Assembly .....	18
Lift Assembly.....	20
Rear Drive Components.....	22
Blade Shaft Assembly .....	24
Belt Guard Assembly .....	25
Belt Guard Assembly .....	26
PTO Assembly .....	28
Fuel and Hydraulic Tank Components .....	30
Hydraulic Tank Assembly.....	31
Console Components.....	32
Instrument Panel Assembly .....	34
Lift Pump Assembly .....	35
Steering Control Assembly.....	36
Hydraulic Hose Kit.....	38
Water Hose Kit .....	40
14" Blade Guard Assembly .....	42
20" Blade Guard Assembly .....	43
Oil Cooler Kit (Optional) .....	44
Decal Set.....	45
Electrical Schematic.....	46
Hydraulic Schematic .....	47
Warranty.....	Rear Cover

# 6046003 FRAME COMPONENTS

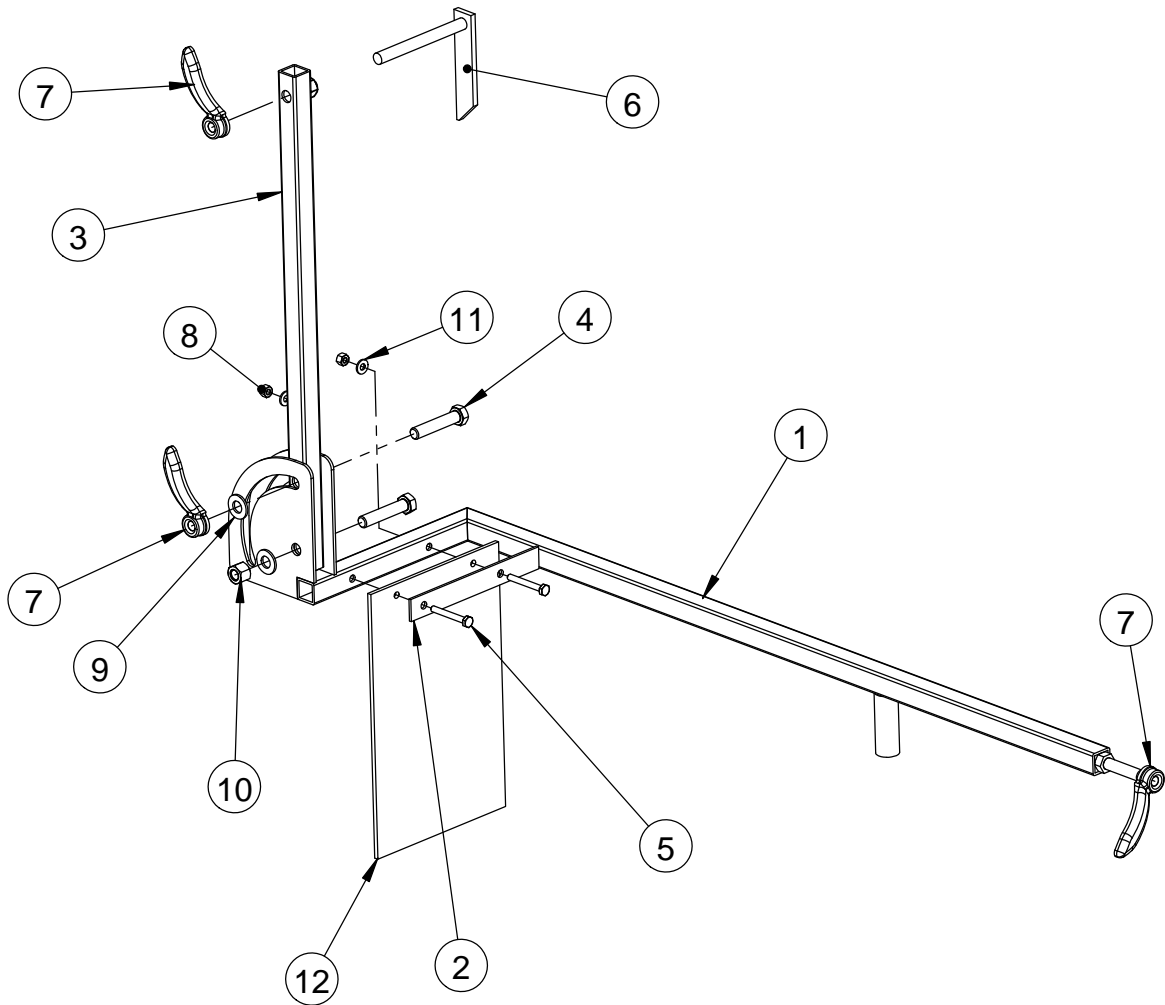


DETAIL M  
SCALE 1 : 5

ITEM	PART NO.	Default/ QTY.	DESCRIPTION
1	6043272	1	Frame Weldment
2	6043276	1	Lift Frame
3	6043271	2	Pin, Cylinder Long
4	2400615	4	Set Collar, 3/4"
5	2900002	10	Flat Washer, 5/8" SAE
6	2900099	2	Cap Screw, Hex Hd., 5/8-11 x 3-1/2"
7	3200026	2	Water Valve, 1/2" FPT
8	2900038	4	Lock Washer, #10 Split
9	2900117	4	Cap Screw, Soc. Hd., #10-24 x 3/8"
10	2900502	3	Cap Screw, Hex Hd., 5/8-11 x 5"

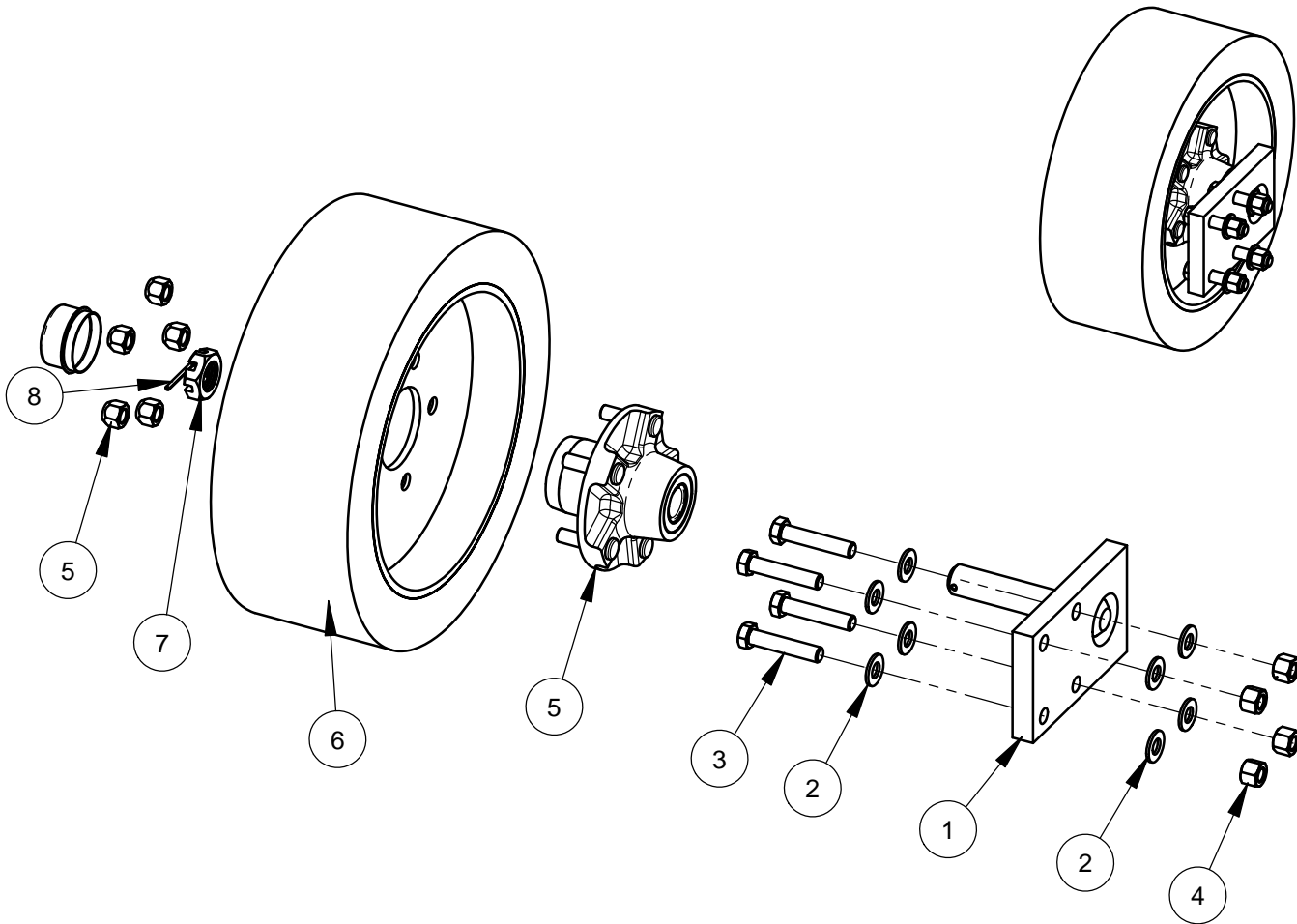
ITEM	PART NO.	Default/ QTY.	DESCRIPTION
11	3200008	1	Close Nipple, 1/2" NPT
12	3200013	1	Street Elbow, 1/2" NPT
13	3200022	1	Fitting, 1/2" F. Pipe to 3/4" F. Garden
14	3200516	6	1/2" X 3/8" Hose Barb, 90 Deg.
15	2501548	1	Spray Hose Assembly
16	2900135	5	Lock Nut, 5/8-11 Nylon
17	2400199	1	Locking Knob 3/8 Stud
18	6046024	2	Wheel Assembly
19	6043240	1	Guide Assembly
20	6046008	1	CC7874 Seat Group

## 6043240 GUIDE ASSEMBLY



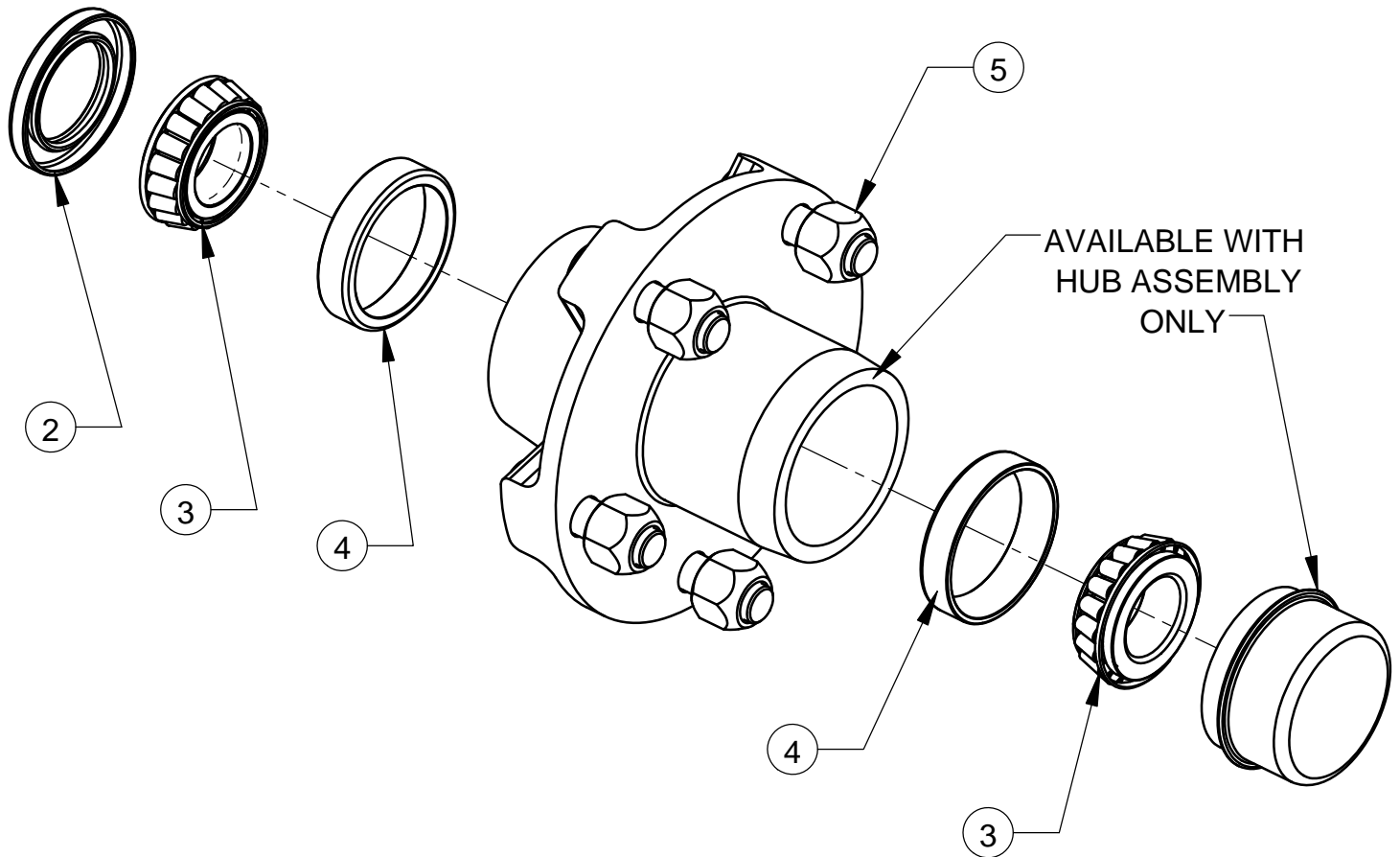
ITEM	PART NO.	QTY.	DESCRIPTION
1	6043239	1	Guide Assembly
2	6043241	1	Slurry Flap Retainer
3	6043238	1	Indicator Arm Weldment
4	2900811	2	Cap Screw, Hex Hd., 1/2-13 x 2-1/2"
5	2900294	2	Cap Screw, Hex Hd., 1/4-20 x 2"
6	6043429	1	Rear Line Pointer
7	2501505	3	1/2" Handle Nut
8	2900010	2	Lock Nut, 1/4-20 Nylon
9	2900058	4	Flat Washer, 1/2" SAE
10	2900026	1	Lock Nut, 1/2-13 Nylon
11	2900009	2	Flat Washer, 1/4" SAE
12	6043242	1	Slurry Flap

## 6046024 WHEEL ASSEMBLY



ITEM	PART NO.	QTY.	DESCRIPTION
1	6043277	1	Axle Spindle Weldment
2	2900058	8	Flat Washer, 1/2" SAE
3	2900811	4	Cap Screw, Hex Hd., 1/2-13 x 2-1/2"
4	2900026	4	Lock Nut, 1/2-13 Nylon
5	6043274	1	Hub Assembly CC7874
	2501221	2	Tapered Bearing Cone, 1"
	2501222	2	Tapered Bearing Cup
	2501223	1	Seal, Double Lip
	2900975	5	Lug Nut, 1/2-20
6	6043306	1	Wheel Assembly
7	2707220	1	Hex Nut, 1"-14 Slotted
8	2900971	1	1/8"X2" Cotter Pin

## 6043274 HUB ASSEMBLY

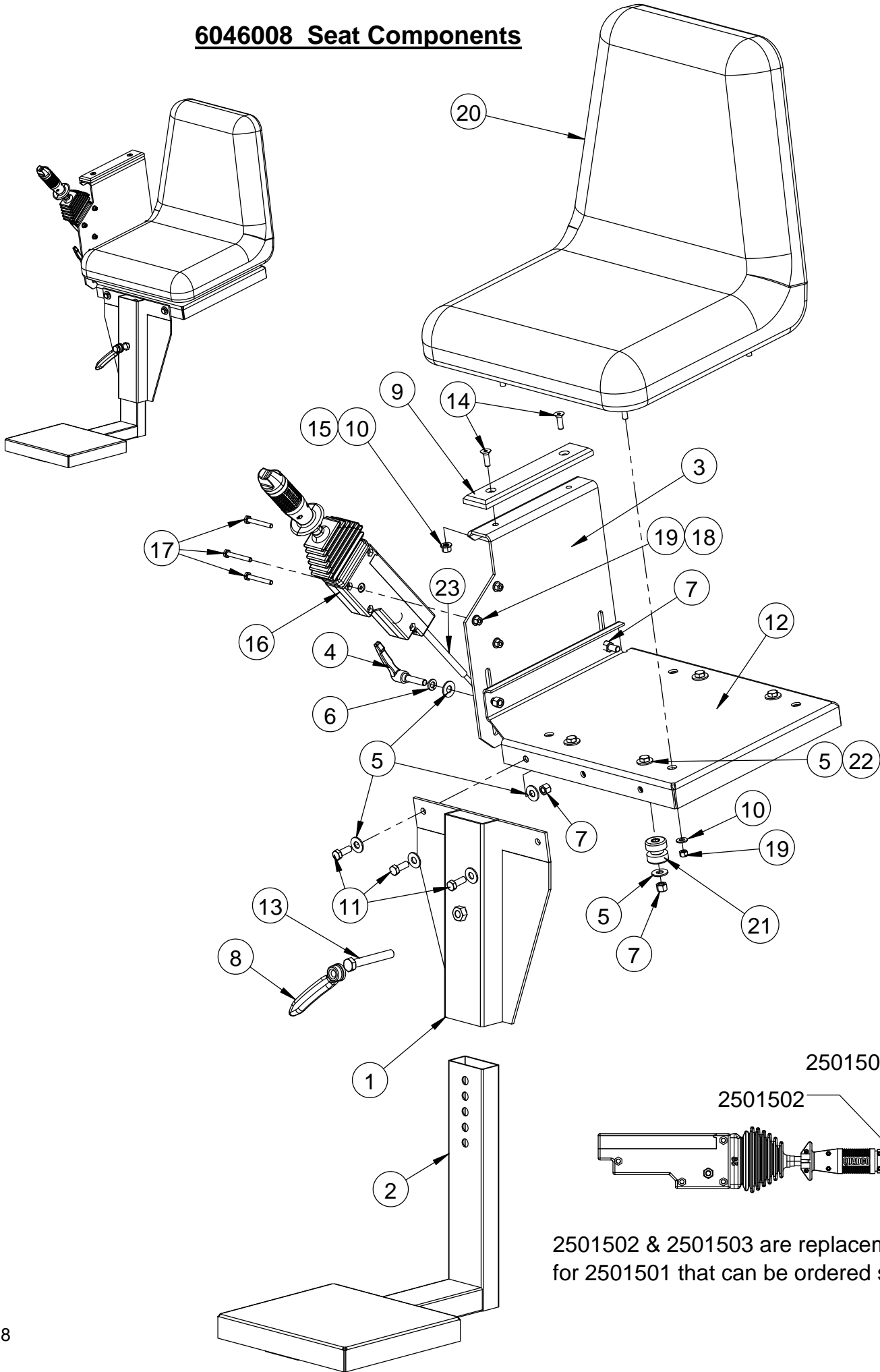


ITEM	PART NO.	.QTY.	DESCRIPTION
2	2501223	1	Seal, Double Lip
3	2501221	2	Tapered Bearing Cone, 1"
4	2501222	2	Tapered Bearing Cup
5	2900975	5	Lug Nut, 1/2-20

Apply grease to taper bearings before assembly

A replacement kit consisting of two taper bearings and one seal is available as part number 6043612

**6046008 Seat Components**



2501502 & 2501503 are replacement parts for 2501501 that can be ordered separately

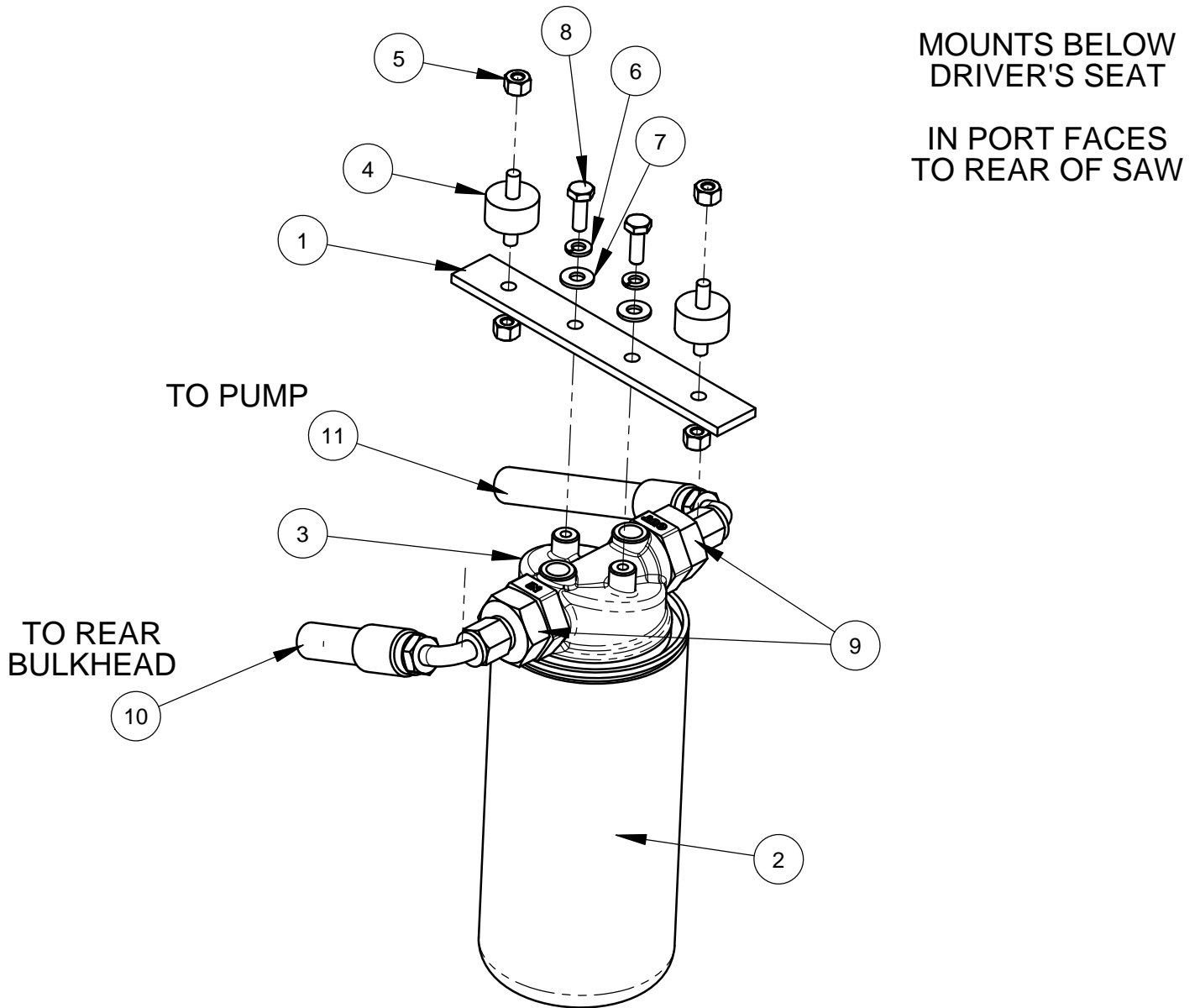


## 6046008 Seat Components

ITEM	PART NO.	QTY.	DESCRIPTION
1	6043234	1	Footrest Weldment Upper
2	6043233	1	Footrest Weldment Lower
3	6043236	1	Arm Rest Plate
4	2500577	2	Lever, Adjustable 3/8-16"
5	2900473	16	Flat Washer, 3/8" USS
6	2900006	2	Lock Washer, 3/8" Split
7	2900018	9	Lock Nut, 3/8-16 Nylon
8	2501505	1	1/2" Handle Nut
9	2501539	1	Arm Rest Top
10	2900022	6	Flat Washer, 5/16" SAE
11	2900005	3	Cap Screw, Hex Hd., 3/8-16 x 1"
12	6043235	1	Seat Mount Weldment
13	2900542	1	Tap Bolt, Hex Hd., 1/2-13 x 3-1/2"
14	2900174	2	Cap Screw, Flat Hd., 5/16-18 x 1"
15	2900039	2	Lock Nut, 5/16-18 Nylon
16	2501501	1	Speed Control Stick
17	2900294	3	Cap Screw, Hex Hd., 1/4-20 x 2"
18	2900009	3	Flat Washer, 1/4" SAE
19	2900010	7	Lock Nut, 1/4-20 Nylon
20	2501547	1	Seat
21	2505500	4	Vibration Isolator
22	2900060	4	Cap Screw, Hex Hd., 3/8-16 x 2"
23	2501506	1	Speed Control Cable

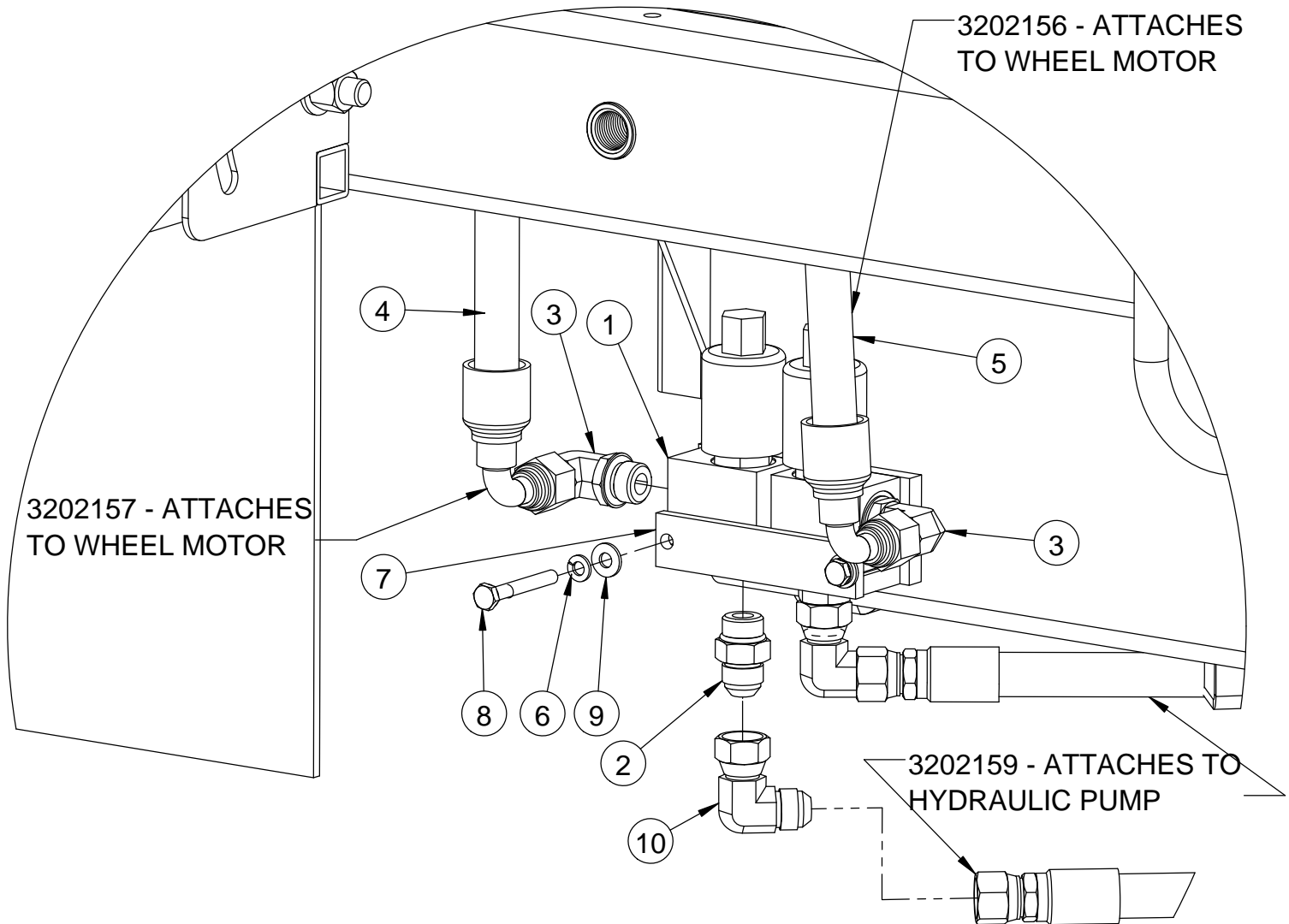
2501502 & 2501503 are replacement parts for 2501501 that can be ordered separately

## 6046022 OIL FILTER ASSEMBLY



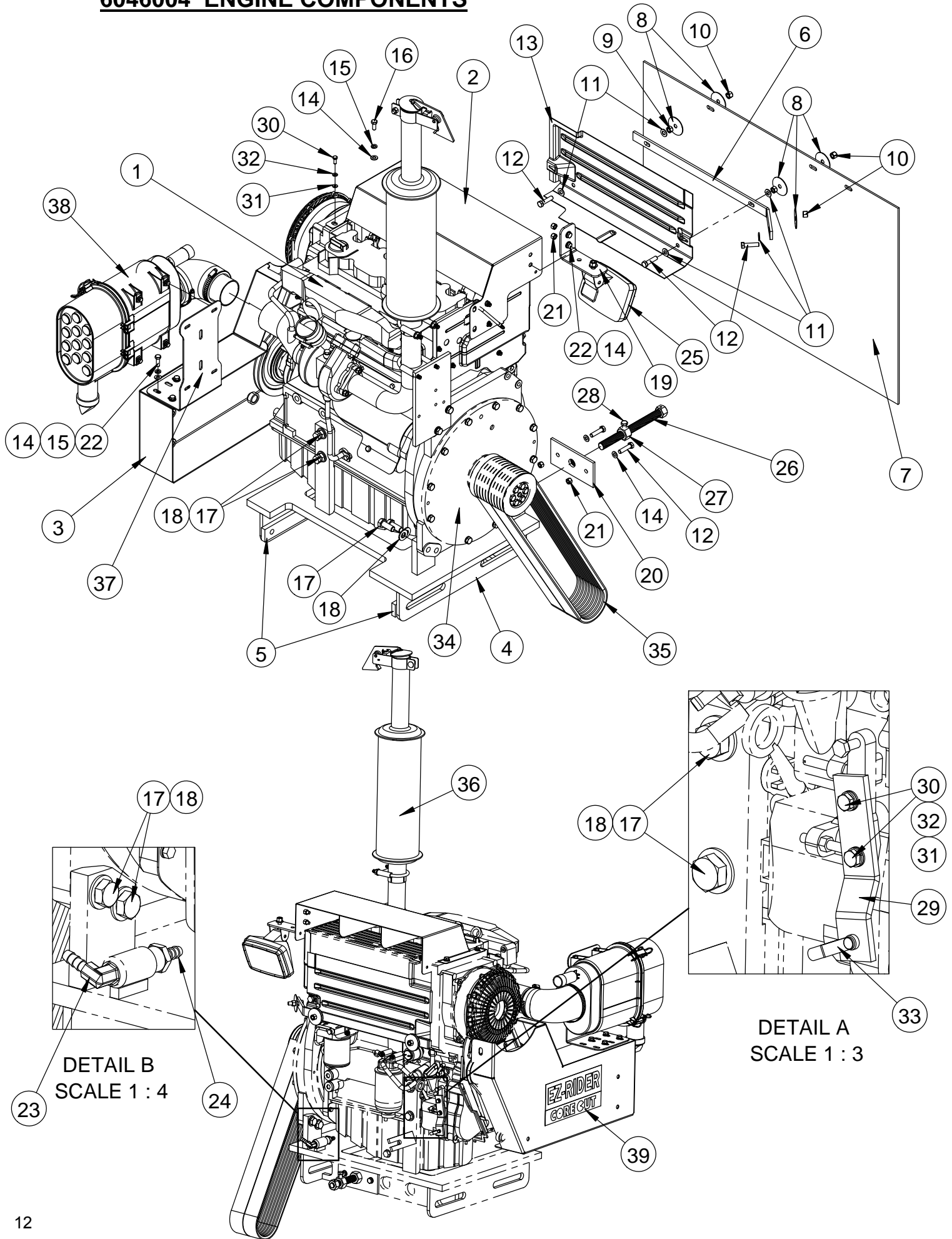
ITEM	PART NO.	QTY.	DESCRIPTION
1	6043275	1	Filter Mount Plate
2	3201175	1	Hydraulic Filter Element
3	2501552	1	Filter Mount
4	2701360	2	Shock Mount
5	2900010	4	Lock Nut, 1/4-20 Nylon
6	2900024	2	Lock Washer, 1/4" Split
7	2900009	2	Flat Washer, 1/4" SAE
8	2900144	2	Cap Screw, Hex Hd., 1/4-20 x 3/4"
9	3202214	2	12M.O-Ring-6M.JIC Straight
10	3202164	1	Hose Assy., 3/8 FJIC-3/8 FJIC, 90 Deg. x 11-1/2"
11	3202165	1	Hose Assy., 3/8 x 78", 1/2FJIC-3/8FJIC 90

## 6046023 MANIFOLD BLOCK ASSEMBLY



ITEM	PART NO.	QTY	DESCRIPTION
1	6043297	2	Manifold Block Assembly
2	3200286	2	Adapter, 1/2" O-Ring to 1/2" M. JIC
3	3200285	2	Elbow, 1/2" O-Ring to 1/2" M. JIC
4	3202157	1	Hose Assy., 5/8 MOR-1/2 FJIC, 90 Deg., x 32"
5	3202156	1	Hose Assy., 5/8 MOR-1/2 FJIC, 90 Deg., x 29"
6	2900024	2	Lock Washer, 1/4" Split
7	6046031	1	Manifold Hold Down
8	2900294	2	Cap Screw, Hex Hd., 1/4-20 x 2"
9	2900009	2	Flat Washer, 1/4" SAE
10	3200304	2	Elbow, 1/2" M. JIC to 1/2" F. JIC
11	6043240	1	Guide Assembly

# 6046004 ENGINE COMPONENTS

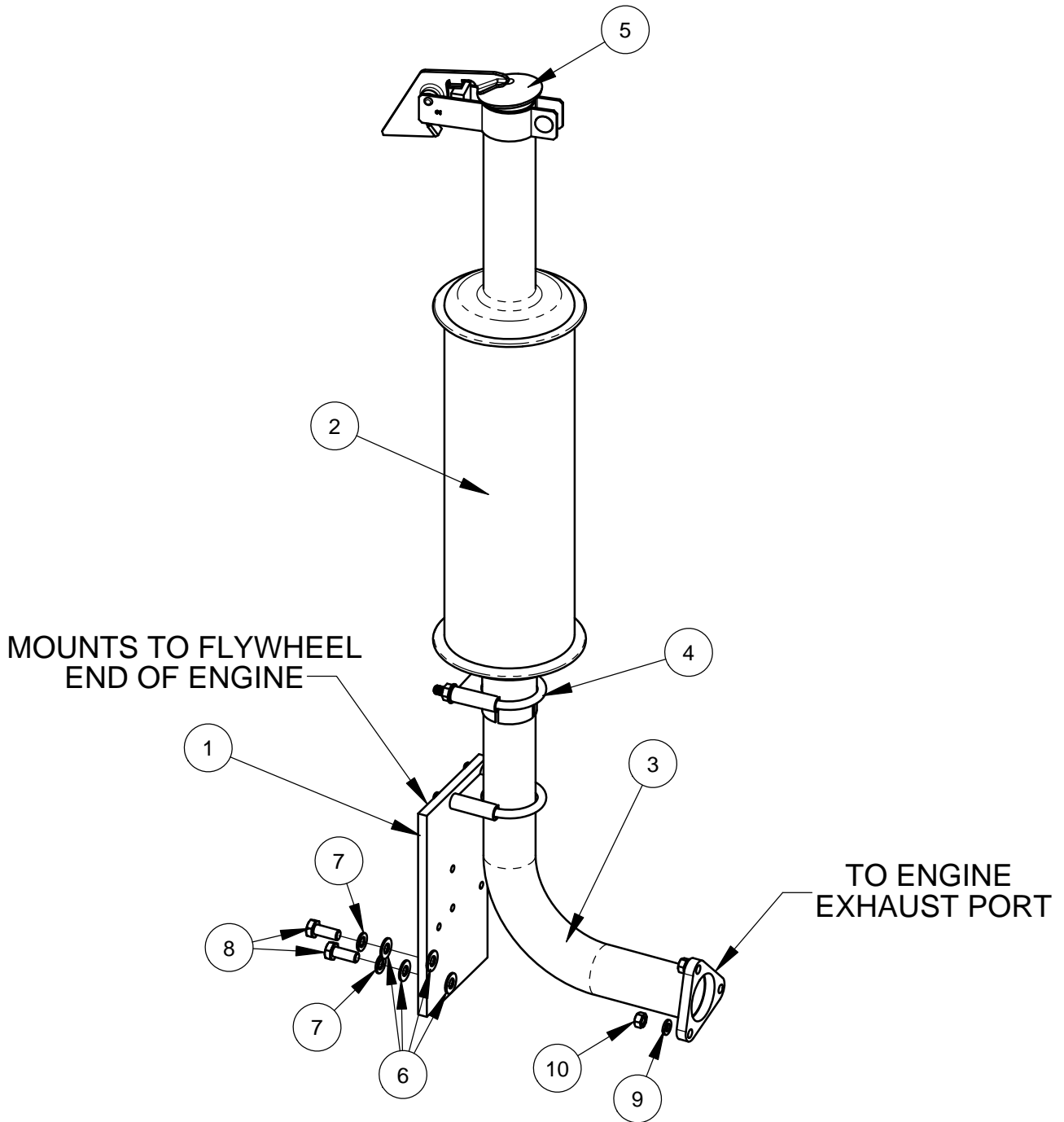


## 6046004 ENGINE COMPONENTS

ITEM	PART NO.	QTY	DESCRIPTION
1	2600543	1	78HP Deutz Diesel Engine
2	6043268	1	Blower Deflector Weldment
3	6011497	1	Belt Guard
4	6043270	1	Engine Mount Weldment
5	6043267	2	Retaining Bar
6	6043605	1	Retaining Bar Spray Flap
7	6043490	1	Spray Flap Engine
8	2901375	5	Fender Washer, 3/8" x 2"
9	2900033	2	Hex Nut, 3/8-16
10	2900018	3	Lock Nut, 3/8-16 Nylon
11	2900014	5	Flat Washer, 3/8" SAE
12	2900029	5	Cap Screw, Hex Hd., 3/8-16 x 1-1/2"
13	6046015	1	Cover Deutz Diesel Engine
14	2900022	9	Flat Washer, 5/16" SAE
15	2900031	5	Lock Washer, 5/16" Split
16	2900329	1	Cap Screw, Hex Hd., M8-1.25 x 20mm
17	2900973	8	Cap Screw, Hex Hd., M14-2.0 x 40mm
18	2900326	8	Flat Washer, M14
19	6043269	1	Light Mount Plate
20	6046016	1	Adjustment Nut Weldment
21	2900039	4	Lock Nut, 5/16-18 Nylon
22	2900138	6	Cap Screw, Hex Hd., 5/16-18 x 1"
23	3200516	1	1/2" X 3/8" Hose Barb, 90 Deg.
24	3200234	1	Fitting, 1/2" MPT to 3/8" Hose Barb
25	2501517	1	Dual Beam Light
26	6043312	1	BELT ADJUSTER ROD ASSEMBLY
27	6043296	1	3/4" ACME NUT
28	2900196	1	Cap Screw, Hex Hd., 3/8-16 x 3/4"
29	6043264	1	Throttle Extension Plate
30	2900341	3	Cap Screw, Hex Hd., M6 x 16mm
31	2900016	3	Flat Washer, #10 USS
32	2900024	3	Lock Washer, 1/4" Split
33	2501028	1	Clevis Assembly, 10-32
34	6017906	1	Splined Drive PTO Assembly
35	2502041	1	Belt Set, 5/3VX530 - 5 Strand
36	6040084	1	Muffler Assembly
37	6011493	1	Bracket, Air Filter
38	6011345	1	Air Cleaner Assembly
39	1800680	1	Decal, EZ-RIDER

6046015 included with engine 2600543.

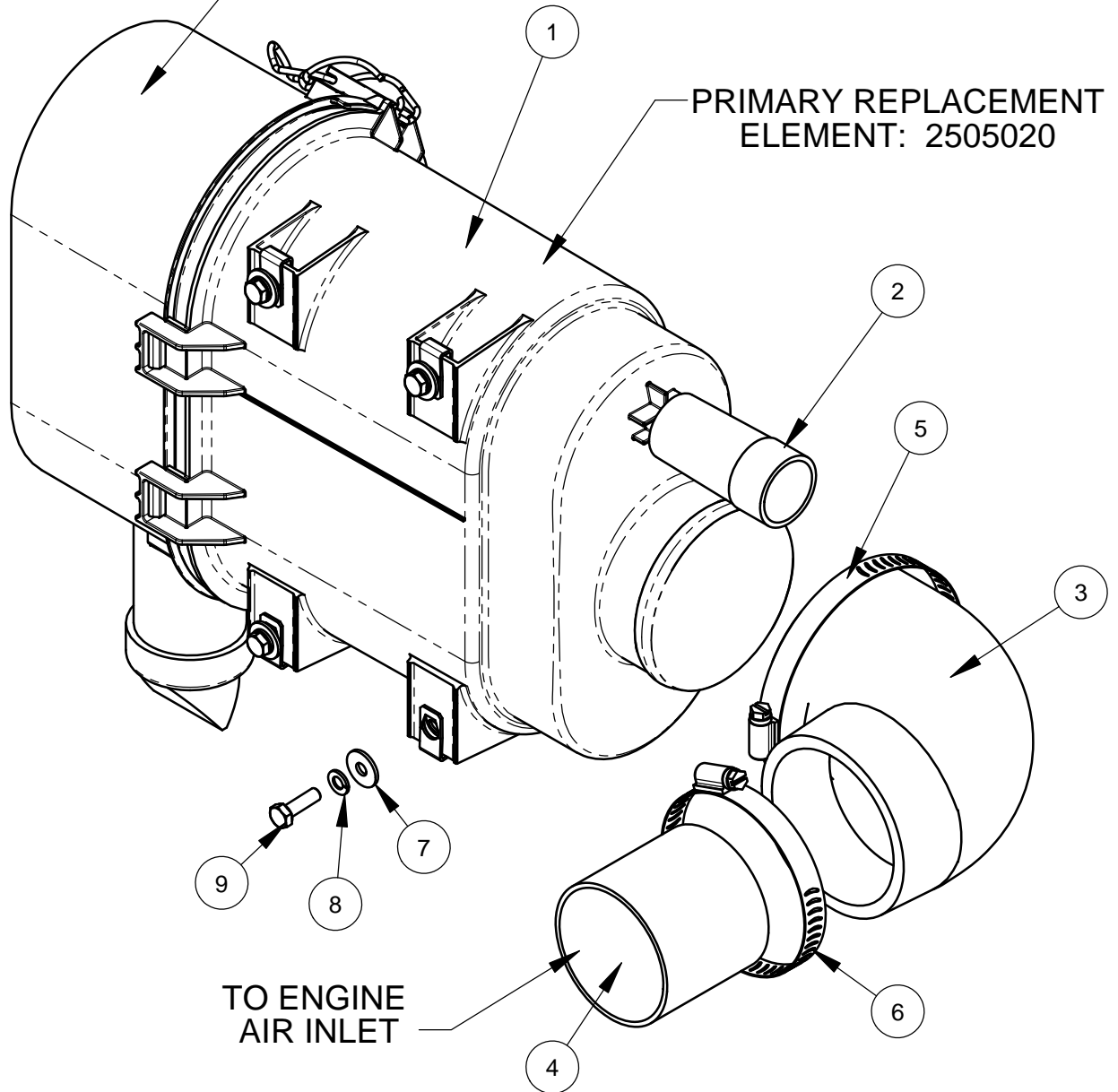
## 6040084 CC7874 MUFFLER ASSEMBLY



ITEM	PART NO.	CC7874/QTY.	DESCRIPTION
1	6013102	1	Exhaust Support Plate
2	2700746	1	Muffler
3	6013110	1	Exhaust Pipe
4	2700748	2	Muffler Clamp 2"
5	2700747	1	Rain Cap 2"
6	2900014	4	Flat Washer, 3/8" SAE
7	2900321	2	Lock Washer, M10 Split
8	2900333	2	Cap Screw, Hex Hd., M10-1.5 x 25mm
9	2900031	3	Lock Washer, 5/16" Split
10	2900343	3	Hex Nut, M8-1.25

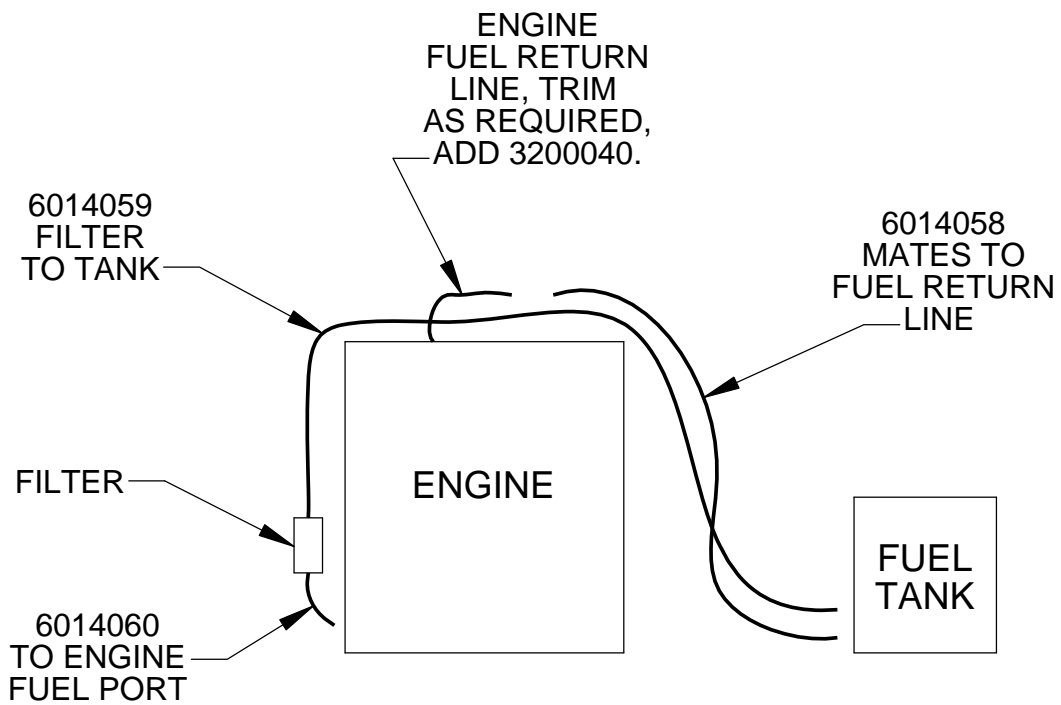
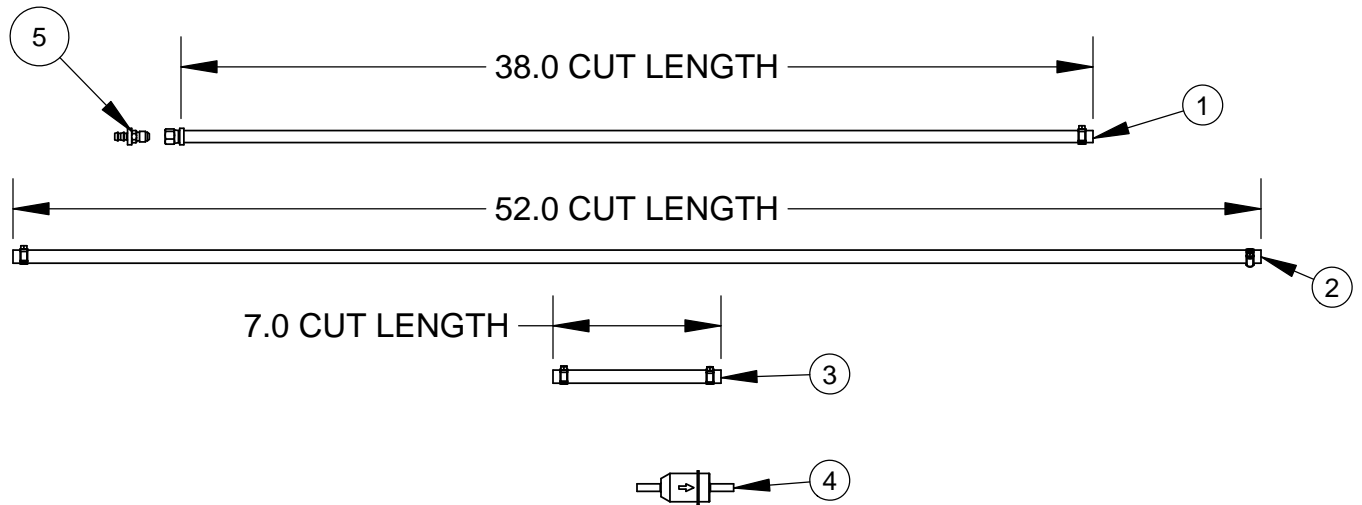
## 6011345 AIR FILTER ASSEMBLY

SECONDARY REPLACEMENT  
ELEMENT: 2503681



ITEM	PART NO.	QTY.	DESCRIPTION
1	2504349	1	Air Filter Assembly
2	2500423	1	Restriction Indicator
3	2500458	1	Hose Elbow, 3" to 3-1/2" I.D.
4	6013118	1	Connector Tube, 2-3/4" O.D.
5	3200198	1	Hose Clamp #64
6	3200197	1	Hose Clamp #52
7	2901359	4	Fender Washer, M6
8	2900765	4	Lock Washer, M6 Split
9	2900310	4	Cap Screw, Hex Hd., M6-1.0 x 20mm

## 6014112 CC7874 FUEL HOSE KIT WITH FILTER

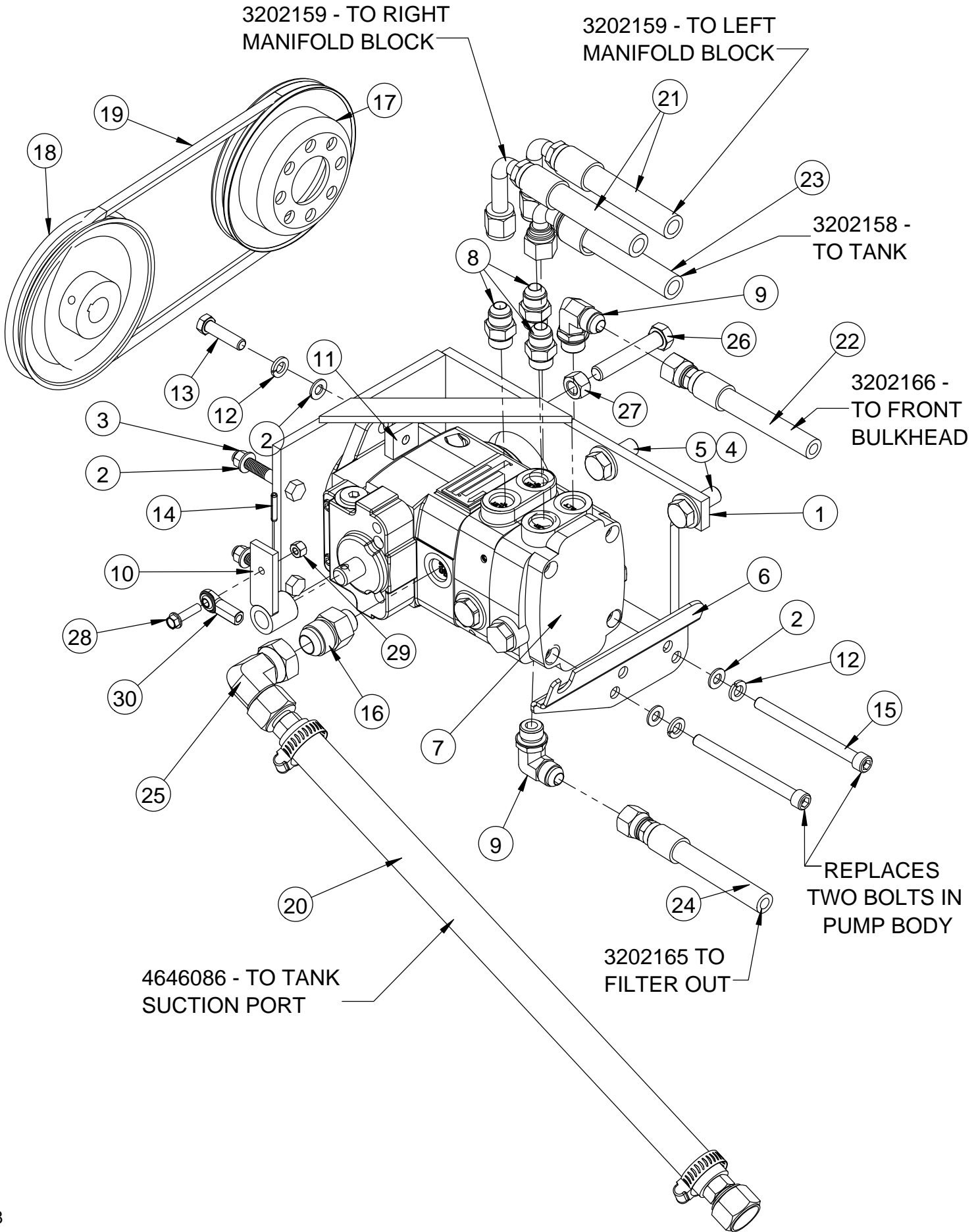


ITEM	PART NO.	QTY.	DESCRIPTION
1	6014058	1	Fuel Line, 1/4 x 38"
	3200062	1	Hose Clamp #4
	3200091	1	Fitting, 1/4" F. JIC to 1/4" Push Lock
2	6014059	1	Fuel Line, 5/16 x 52"
	3200062	2	Hose Clamp #4
3	6014060	1	Fuel Line, 5/16 x 7"
	3200062	2	Hose Clamp #4
4	2501785	1	Filter, Diesel Fuel
5	3200040	1	Fitting, 1/4" M. JIC to 1/4" Push Lock



Intentionally Blank

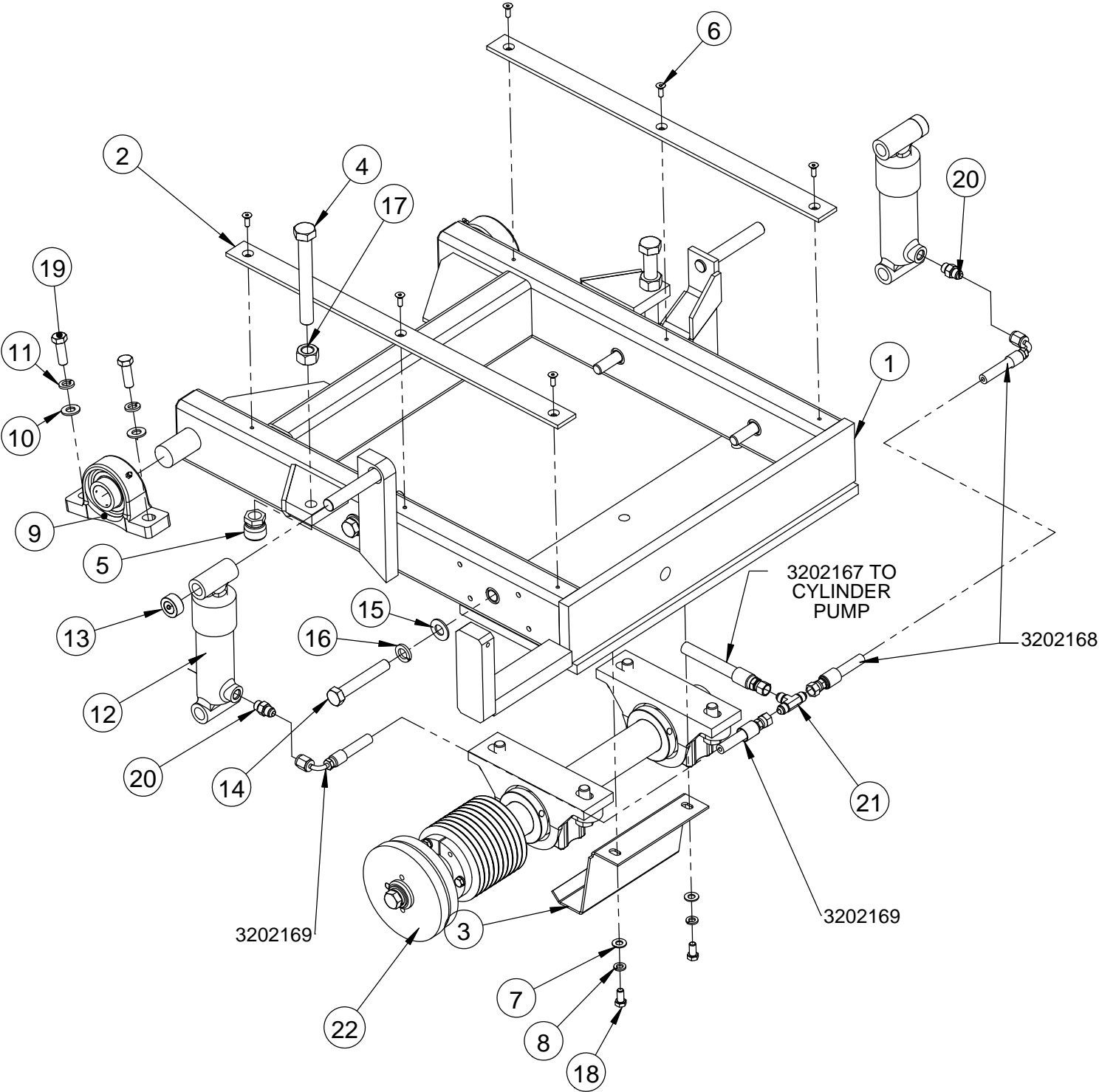
# 6046025 PUMP ASSEMBLY



## 6046025 PUMP ASSEMBLY

ITEM	PART NO.	QTY	DESCRIPTION
1	6043280	1	Transmission Mount Weldment
2	2900022	6	Flat Washer, 5/16" SAE
3	2900039	2	Lock Nut, 5/16-18 Nylon
4	2900651	2	Flat Washer, 9/16"
5	2900349	2	Cap Screw, Hex Hd., M14-2.0 x 35mm
6	6011494	1	Cable Bracket
7	2600805	1	Pump, .86 CI
8	3200286	3	Adapter, 1/2" O-Ring to 1/2" M. JIC
9	3200285	2	Elbow, 1/2" O-Ring to 1/2" M. JIC
10	6043282	1	Pump Connection Lever
11	6043281	2	Transmission Retainer
12	2900006	4	Lock Washer, 3/8" Split
13	2900029	2	Cap Screw, Hex Hd., 3/8-16 x 1-1/2"
14	2900134	1	Roll Pin, 3/16" x 1"
15	2903031	2	Cap Screw, Soc. Hd., 3/8-16x4-1/2"
16	3202215	1	1/2"M.Oring-3/4"M.JIC
17	2705030	1	Pulley Deutz Auxillary
18	2501551	1	Pulley, 5.75X 7/8"Bore
19	2504012	1	V-Belt AX34
20	4646086	1	Hose Assembly, 3/4" x 23.6"
21	3202159	2	Hyd Hose Hyd Pump to Hyd Manifold Block
22	3202166	1	Hyd Hose (PSI) Pump Pso Port to Front Bulkhead
23	3202158	1	Hyd Hose Case Drain of Pump to Hyd Reservoir
24	3202165	1	Hyd Hose Filter out Port to Pump Return Port
25	3200417	1	Elbow, 3/4" F. JIC to 3/4" M. JIC
26	2900541	1	Tap Bolt, Hex Hd., 1/2-13 x 2-3/4"
27	2900037	1	Hex Nut, 1/2-13
28	2900180	1	Cap Screw, Hex Flange Hd., 1/4-20 x 1"
29	2900010	1	Lock Nut, 1/4-20 Nylon
30	2500409	1	Rod End, 1/4-28 Female

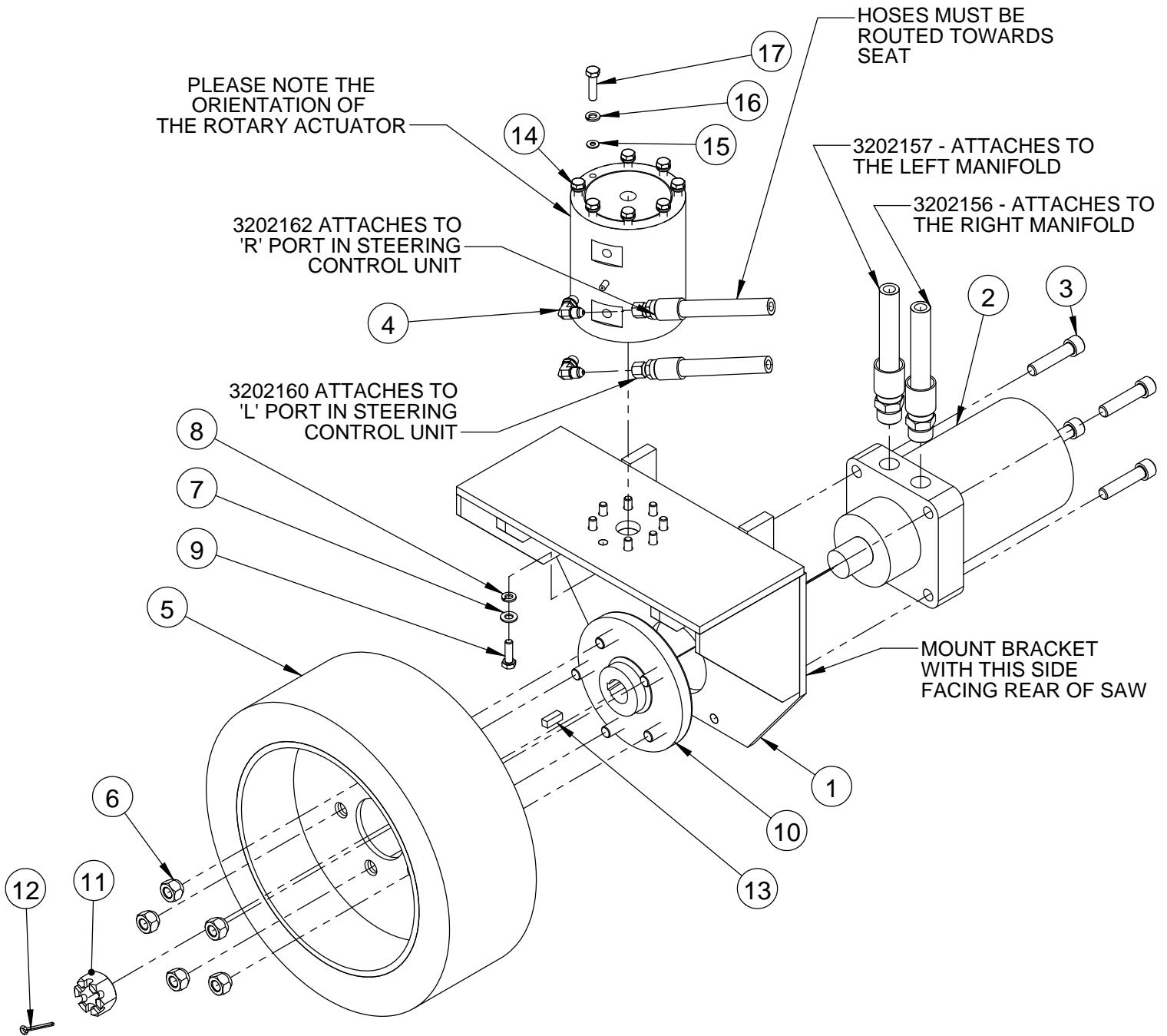
**6046007 LIFT ASSEMBLY**



## 6046007 LIFT ASSEMBLY

ITEM	PART NO.	QTY	DESCRIPTION
1	6043247	1	Frame Lift Weldment
2	6043249	2	Top Motor Slide
3	6043250	1	Arbor Shield Plate
4	2900480	2	Tap Bolt, Hex Hd., 3/4-10 x 6"
5	2900476	2	Swivel Pad Nut, 3/4-10
6	2900020	6	Cap Screw, Flat Hd., 1/4-20 x 3/4"
7	2900014	2	Flat Washer, 3/8" SAE
8	2900006	2	Lock Washer, 3/8" Split
9	2501531	2	Pillow Block Bearing, 1-3/8"
10	2900058	4	Flat Washer, 1/2" SAE
11	2900084	4	Lock Washer, 1/2" Split
12	2501541	2	Hydraulic Cylinder, 1-3/4" x 5"
13	2400615	2	Set Collar, 3/4"
14	2900146	4	Cap Screw, Hex Hd., 5/8-11 x 4"
15	2900002	4	Flat Washer, 5/8" SAE
16	2900113	4	Lock Washer, 5/8" Split
17	2900041	2	Hex Nut, 3/4-10
18	2900196	2	Cap Screw, Hex Hd., 3/8-16 x 3/4"
19	2900499	4	Cap Screw, Hex Hd., 1/2-13 x 1-1/2"
20	3200263	2	Adapter, 3/8" O-Ring to 3/8" M. JIC
21	3200268	1	3/8" Male JIC Union Tee
22	6046018	1	Blade Shaft Assy CC7878

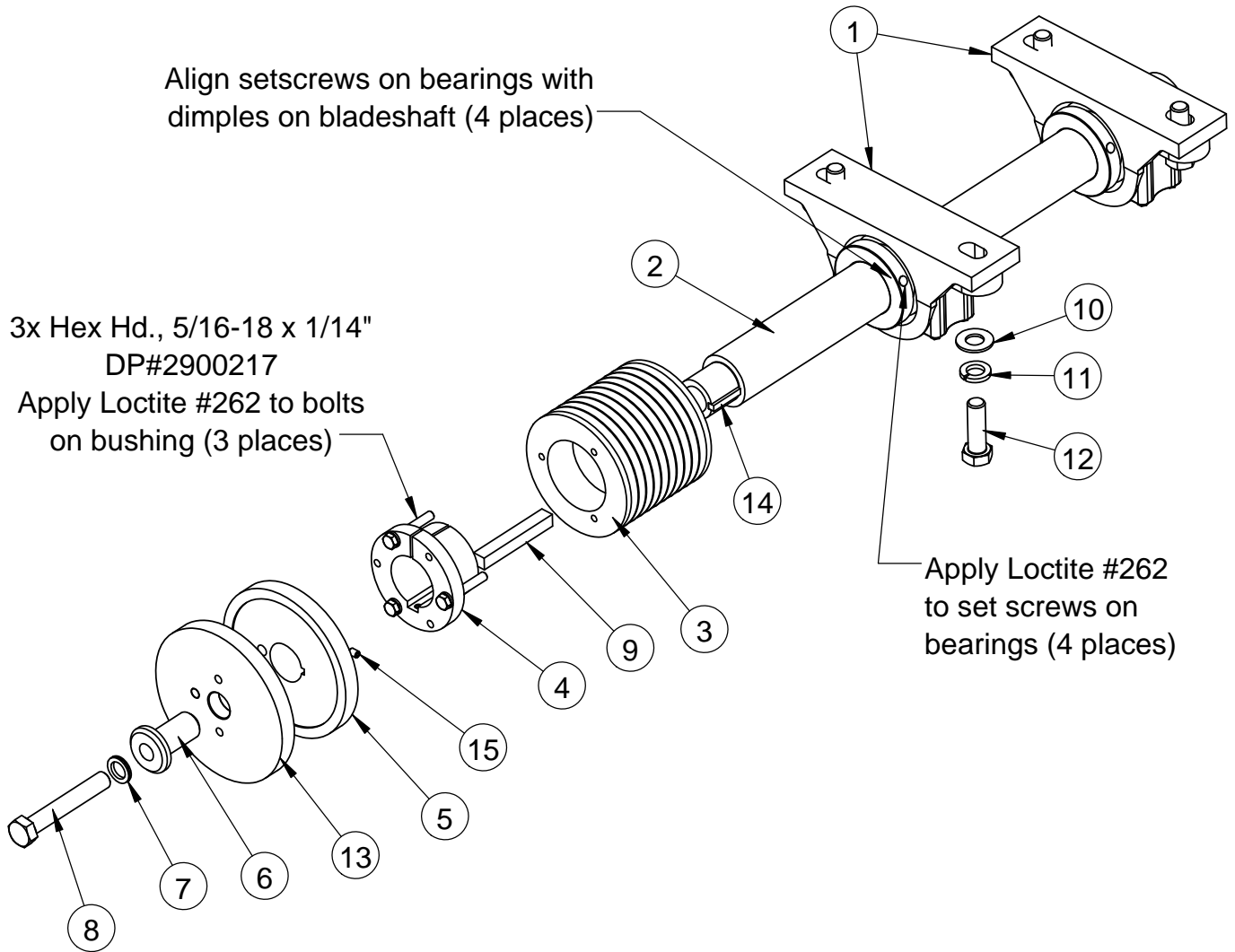
## Rear Drive Components #6046009



## Rear Drive Components #6046009

ITEM	PART NO.	QTY	DESCRIPTION
1	6043237	1	Wheel Bracket
2	2600325	1	Wheel Motor Eaton 7.7 CI
3	2900575	4	Cap Screw, Soc. Hd., 1/2-13 x 2-1/4"
4	3200214	2	Elbow, 1/4" M. O-Ring to 1/4" M. JIC
5	6043306	1	Wheel Assembly
6	2900975	5	Lug Nut, 1/2-20
7	2900022	8	Flat Washer, 5/16" SAE
8	2900031	8	Lock Washer, 5/16" Split
9	2900138	8	Cap Screw, Hex Hd., 5/16-18 x 1"
10	2501512	1	Hydrogear Wheel Hub
11	2701903	1	Hex Nut, 1"-20 Slotted
12	2900971	1	1/8"X2" Cotter Pin
13	2501536	1	5/16" X 7/8" SQ KEY
14	2501640	1	Helac L10 Rotary Actuator
15	2900016	8	Flat Washer, #10 USS
16	2900031	8	Lock Washer, 5/16" Split
17	2900217	8	Cap Screw, Hex Hd., 5/16-18 x 1-1/4"

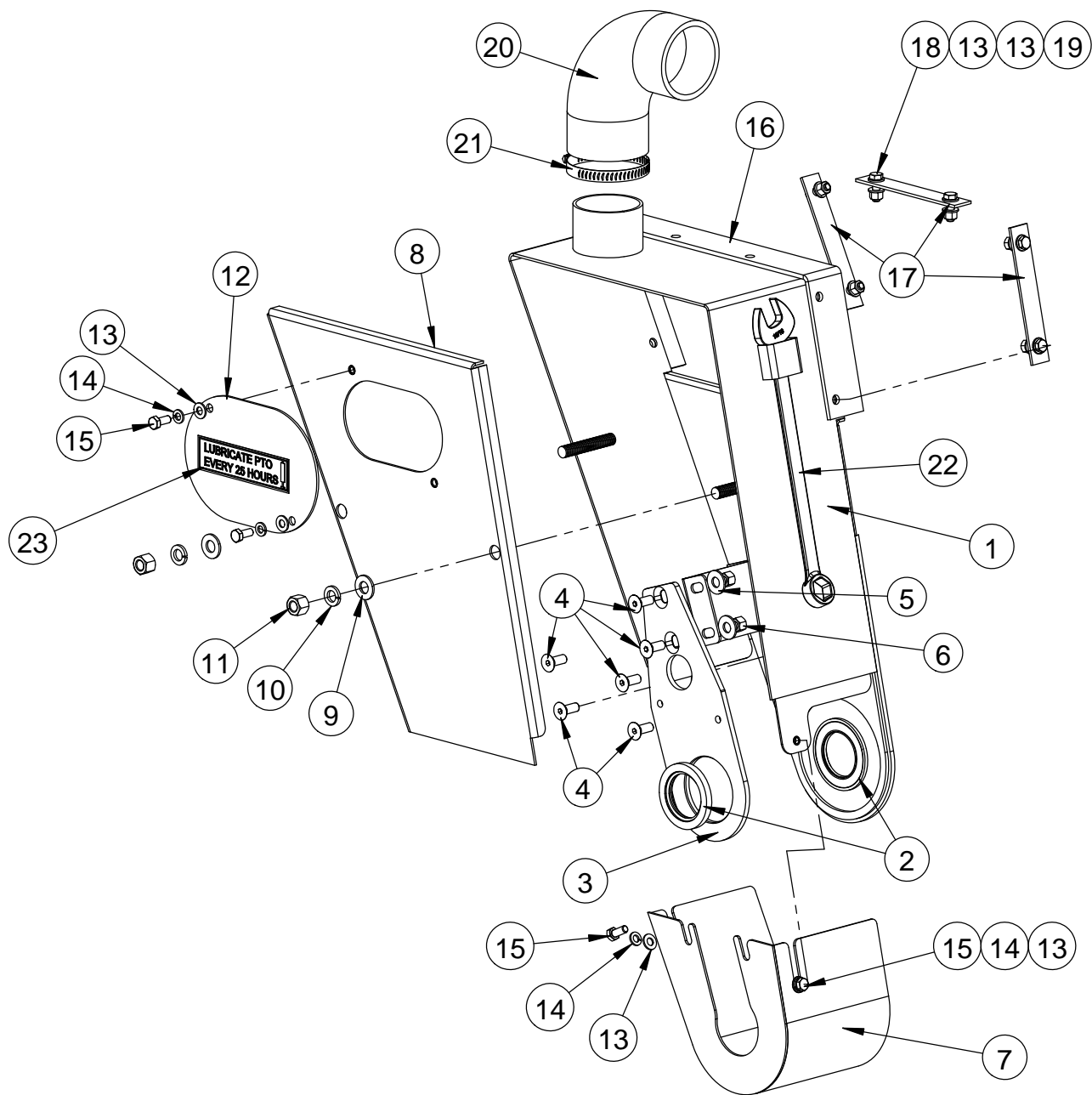
## 6046018 BLADE SHAFT ASSEMBLY



ITEM	PART NO.	QTY.	DESCRIPTION
1	2501520	2	Bearing, 2" Pillow Block
2	6043286	1	ARBOR SHAFT 2"
3	2501647	1	Sheave 3V-4.75, 10 Groove QD Style
4	2500153	1	QD Bushing, SK x 2" w/Fasteners
5	6043259	1	Inside Collar
6	6040252	1	Stub Shaft
7	2900412	1	Lock Washer, Wedge 5/8"
8	2900146	1	Cap Screw, Hex Hd., 5/8-11 x 4"
9	2501537	1	Key B17.1 0.5x0.5x3.5
10	2900002	4	Flat Washer, 5/8" SAE
11	2900113	4	Lock Washer, 5/8" Split
12	2900136	4	Cap Screw, Hex Hd., 5/8-11 x 2"
13	6049033	1	Outer Flange Assy CC7878
14	2501538	1	Square Key, 1/4 X 1-3/8"
15	2900101	1	Set Screw, Soc. Hd., 1/4-20 x 3/8"



## 6046011 Belt Guard and Blade Guard

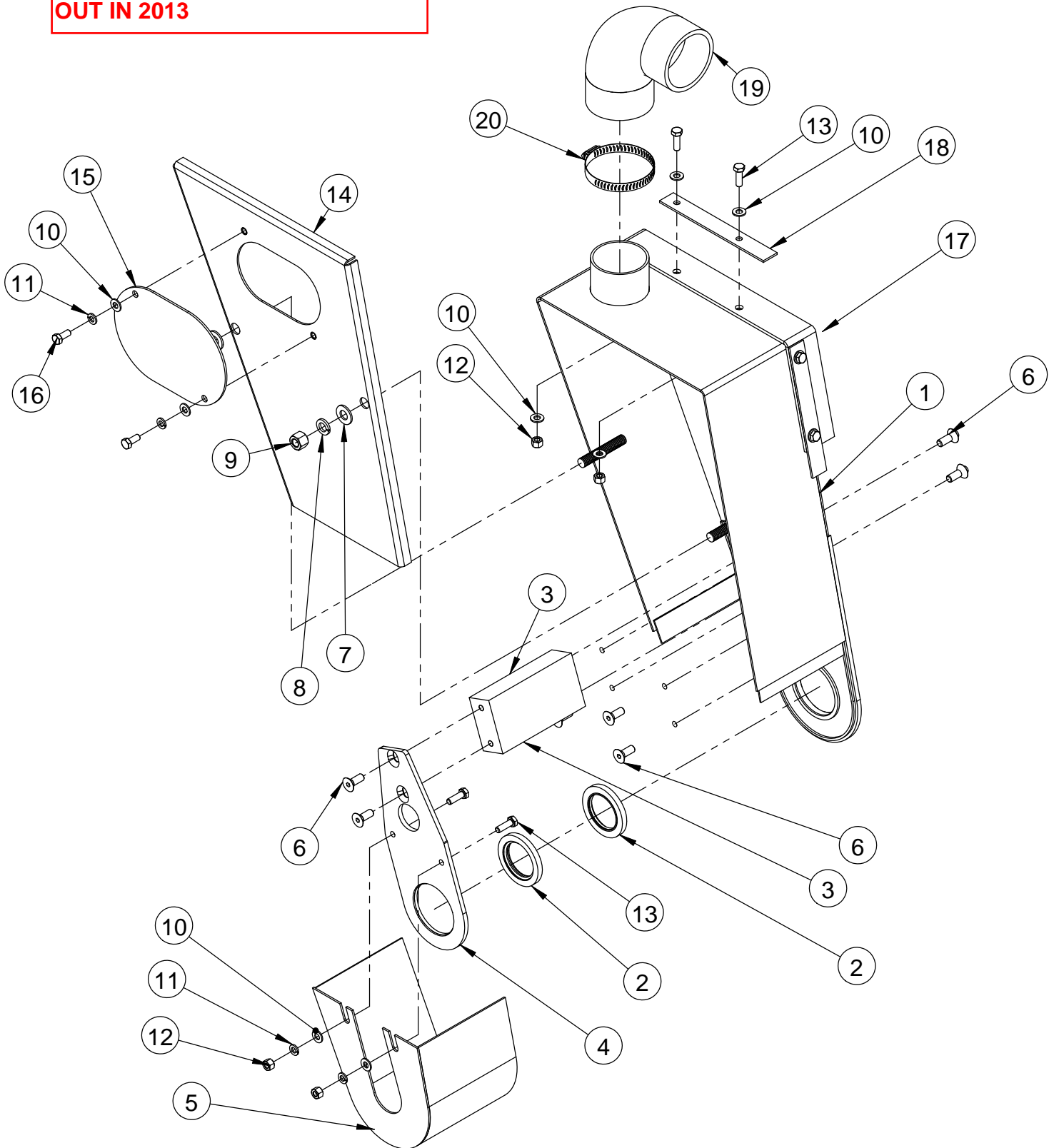


ITEM	PART NO.	QTY.	DESCRIPTION
1	6043253	1	Belt Guard Weldment
2	2503702	2	Oil Seal
3	6043367	1	Outer Seal Plate
4	2900235	6	Cap Screw, Flat Hd., 3/8-16 x 1"
5	2900473	2	Flat Washer, 3/8", USS
6	2900018	2	Locknut, 3/8-16, Nylon
7	6043254	1	Lower Beltguard
8	6046019	1	Beltguard Cover Assembly
9	2900058	2	Flat Washer, 1/2" SAE
10	2900084	2	Lock Washer, 1/2" Split
11	2900026	2	Lock Nut, 1/2-13 Nylon
12	6045116	1	PTO Cover Plate

ITEM	PART NO.	QTY.	DESCRIPTION
13	2900022	16	Flat Washer, 5/16" SAE
14	2900031	4	Lock Washer, 5/16" Split
15	2900019	4	Cap Screw, Hex Hd., 5/16-18 x 3/4"
16	6045181	1	Belt Guard Flap
17	6043241	3	Slurry Flap Retainer
18	2900138	6	Cap Screw, Hex Hd., 5/16-18 x 1"
19	2900039	6	Lock Nut, 5/16-18 Nylon
20	2500669	1	Hose Elbow, 3" I.D.
21	3200197	1	Hose Clamp #52
22	2503704	1	Wrench, 15/16" Combination
23	1801105	1	Label, Lubricate PTO

# Belt Guard and Blade Guard #6046011

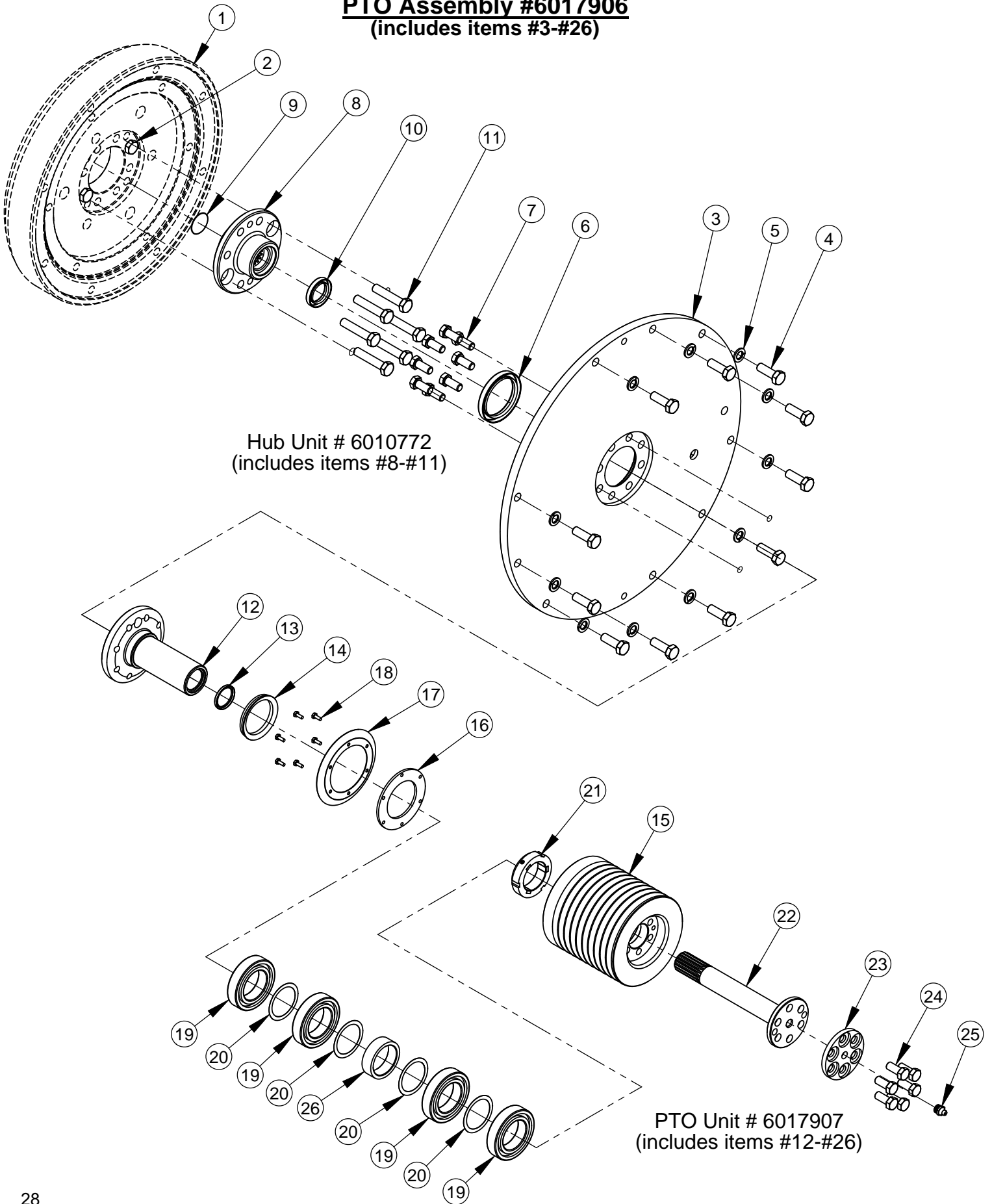
**THIS REVISION WILL BE PHASED  
OUT IN 2013**



## Belt Guard and Blade Guard #6046011

ITEM	PART NO.	QTY.	DESCRIPTION
1	6043253	1	Belt Guard Weldment
2	2503702	2	Oil Seal
3	6043366	1	Spacer Bar
4	6043367	1	Outer Seal Plate
5	6043254	1	Lower Beltguard
6	2900235	8	Cap Screw, Flat Hd., 3/8-16 x 1"
7	2900058	2	Flat Washer, 1/2" SAE
8	2900084	2	Lock Washer, 1/2" Split
9	2900026	2	Lock Nut, 1/2-13 Nylon
10	2900022	16	Flat Washer, 5/16" SAE
11	2900031	4	Lock Washer, 5/16" Split
12	2900039	8	Lock Nut, 5/16-18 Nylon
13	2900138	8	Cap Screw, Hex Hd., 5/16-18 x 1"
14	6046019	1	Beltguard Cover Assembly
15	6045116	1	PTO Cover Plate
16	2900019	2	Cap Screw, Hex Hd., 5/16-18 x 3/4"
17	6045181	1	Belt Guard Flap
18	6043241	3	Slurry Flap Retainer
19	2500669	1	Hose Elbow, 3" I.D.
20	3200197	1	Hose Clamp #52

**PTO Assembly #6017906**  
(includes items #3-#26)



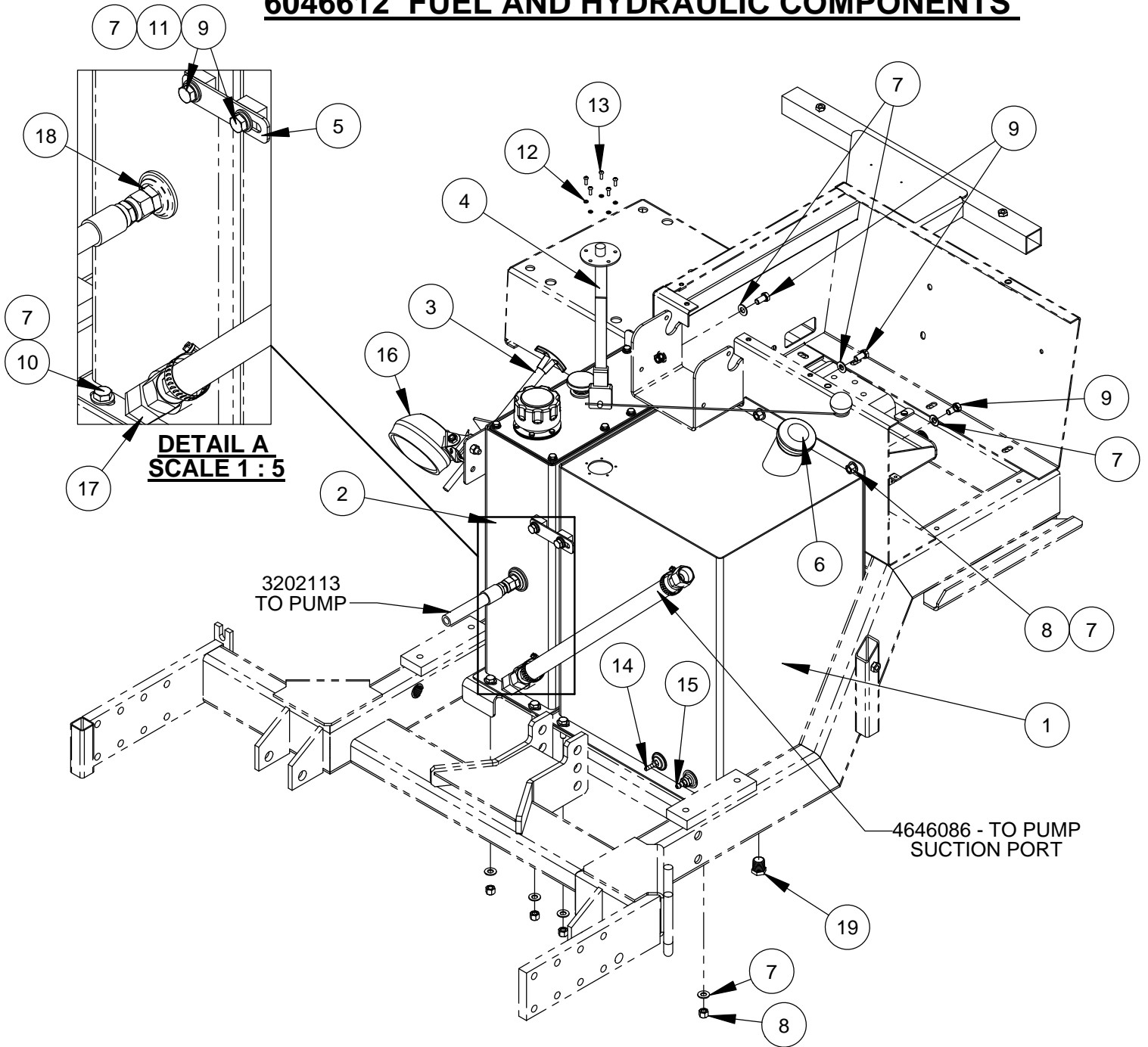
Hub Unit # 6010772  
(includes items #8-#11)

PTO Unit # 6017907  
(includes items #12-#26)

**PTO Assembly #6017906**  
**(includes items #3-#26)**

ITEM NO.	PART NUMBER	QTY.	DESCRIPTION
1	2701276	1	Flywheel, Deutz Engine
2	2702756	2	Cap Screw, Hex Hd., M10-1.0 x 40mm
3	6010352	1	Inner Ring Support
4	2900223	11	Cap Screw, Hex Hd., M10 x 30mm
5	2900321	11	Lock Washer, M10 Split
6	2501983	1	Seal, 2" x 2-5/8" x 5/16"
7	2900621	8	Cap Screw, Hex Hd., 3/8-16 x 7/8"
8	2501721	1	Coupling Hub
9	2501670	1	Hubbard Plug, 1-1/8"
10	2501714	1	Seal, 1" x 1-1/2" x 1/4"
11	2900633	6	Cap Screw, Hex Hd., M10-1.0 x 50mm
12	2501717	1	Shaft Support Sleeve
13	2501984	1	Seal, 1" x 1-1/4" x 1/8"
14	2500751	1	Seal, 1-3/4" V-Ring
15	2501789	1	Sheave, 4.75 x 10 Groove
16	2501719	1	Bearing Retainer Plate
17	2501998	1	Grease Slinger Disc
18	2900624	6	Machine Screw, Hex Hd., #6-32 x 3/8"
19	2501986	4	Ball Bearing, 40mm x 68mm x 15mm
20	2501747	4	Shim, 40mm x 50mm x 0.1mm
21	2900654	1	Bearing Lock Nut, 1-9/16"-18
22	2501720	1	Splined Drive Shaft
23	2501985	1	Grease Disc
24	2900954	6	Cap Screw, Hex Hd., 3/8-24 x 7/8"
25	2900062	1	Grease Fitting, 1/8" NPT
26	6046020	1	PTO Bearing Spacer

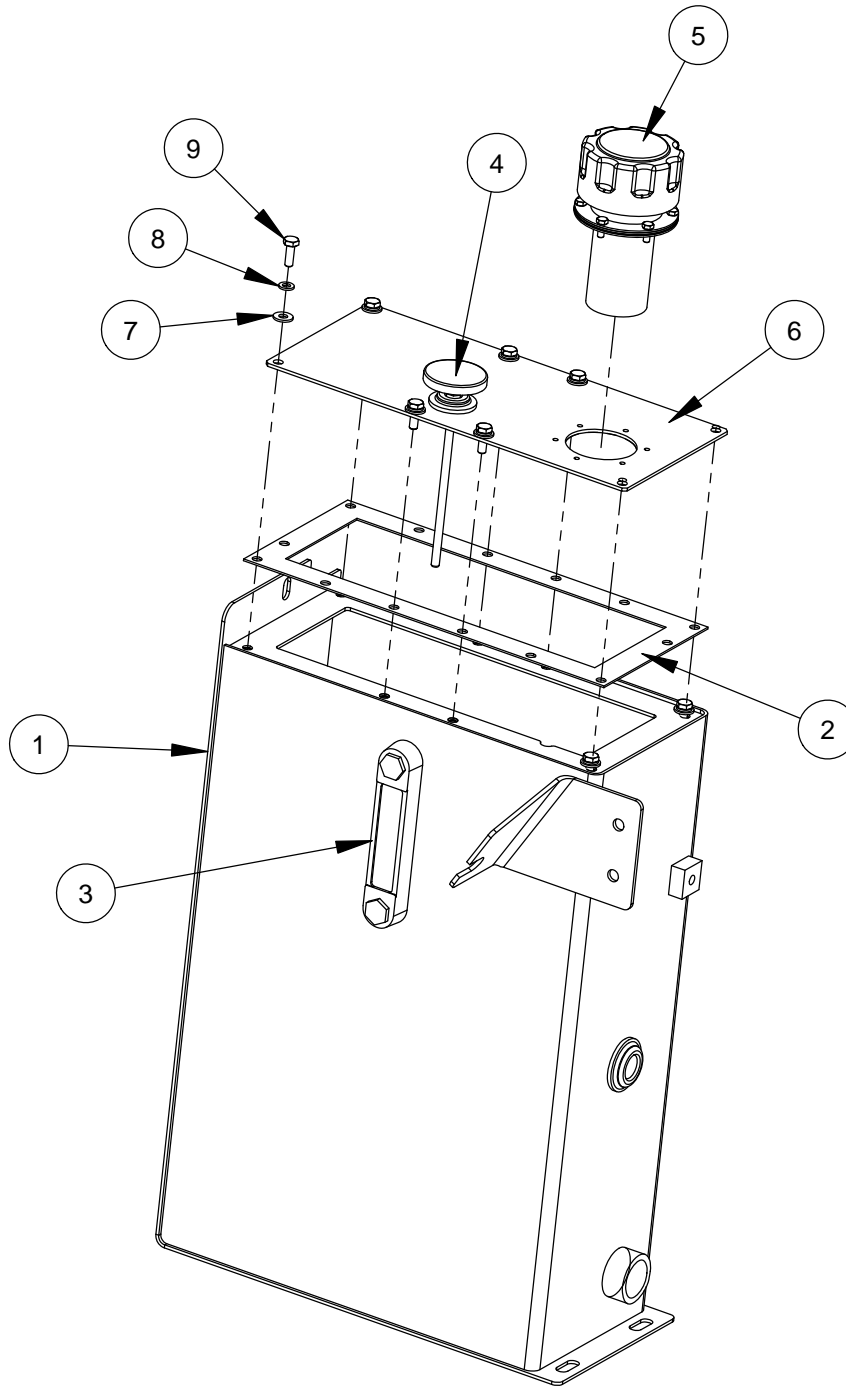
# 6046612 FUEL AND HYDRAULIC COMPONENTS



ITEM	PART NO.	QTY.	DESCRIPTION
1	6043370	1	Fuel Tank
2	6045318	1	Hydraulic Tank Assembly
3	2501510	1	Throttle Cable
4	2501546	1	Sending Unit, Fuel
5	6043372	1	Tank Bracket
6	2500199	1	Fuel Tank Cap (Steel)
7	2900014	16	Flat Washer, 3/8" SAE
8	2900018	7	Lock Nut, 3/8-16 Nylon
9	2900196	5	Cap Screw, Hex Hd., 3/8-16 x 3/4"
10	2900013	4	Cap Screw, Hex Hd., 3/8-16 x 1-1/4"

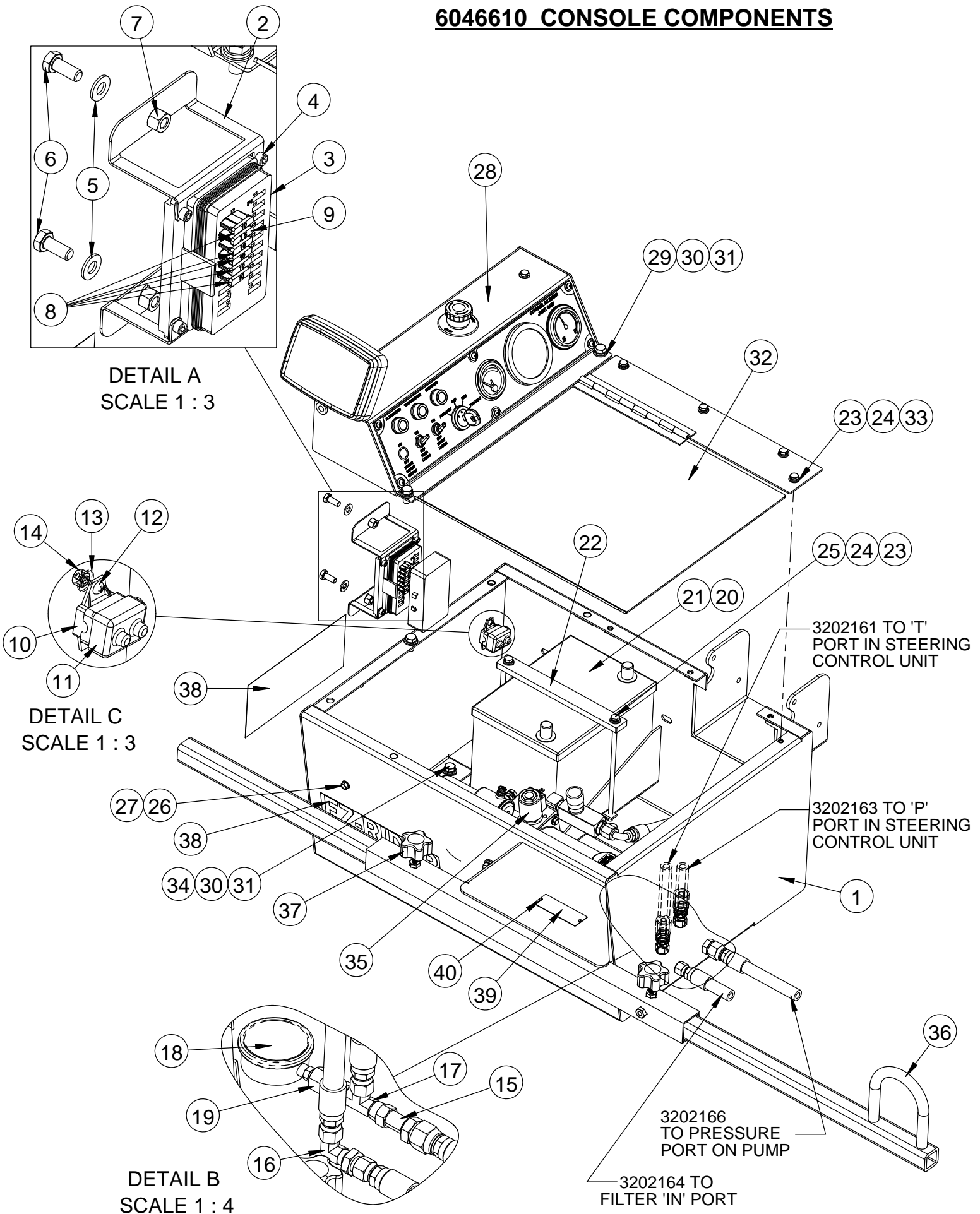
ITEM	PART NO.	QTY.	DESCRIPTION
11	2900006	2	Lock Washer, 3/8" Split
12	2900677	5	Lock Washer, #8 Split
13	2900526	5	Machine Screw, Hex. Hd., #8-32 x 1/2
14	3200018	1	Fitting, 1/8" M. Pipe to 1/4" Hose Barb
15	3200070	1	Fitting, 3/8" MPT to 1/4" Pushlok
16	2500194	1	Spot Light, 12 Volt
17	3200111	1	Elbow, 1" M. Pipe to 3/4" M. JIC
18	3200283	1	Adapter, 1/2" M. Pipe x 1/2" M. JIC
19	3200160	1	Plug, 1/2-14 NPT

## 6045318: Hydraulic Tank Assembly



ITEM	PART NO.	QTY.	DESCRIPTION
1	6043371	1	Hydraulic Tank
2	6043380	1	Hydraulic Tank Gasket
3	2400166	1	Sight Gauge, Liquid Level
4	2800459	1	Thermometer, 2", 0 - 200 F
5	2401305	1	Filler/Breather Cap (Top Mount)
	2900339	6	Cap Screw, Hex Hd., M5-0.8 x 12mm
6	6045317	1	Hyd Tank Cover Weldment
7	2900009	8	Flat Washer, 1/4" SAE
8	2900024	8	Lock Washer, 1/4" Split
9	2900144	8	Cap Screw, Hex Hd., 1/4-20 x 3/4"

# 6046610 CONSOLE COMPONENTS

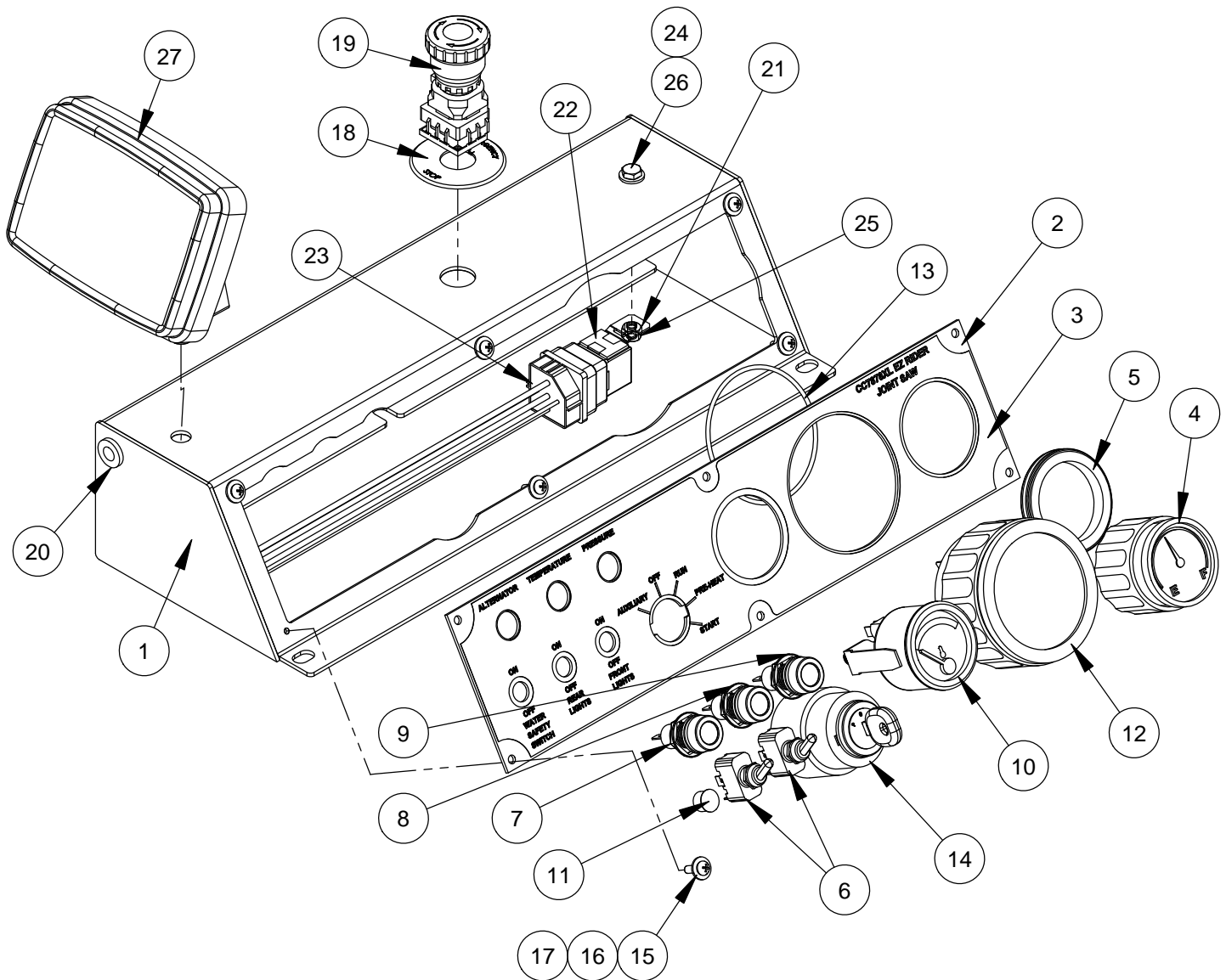




## 6046610 CONSOLE COMPONENTS

ITEM	PART NO.	QTY	DESCRIPTION
1	6043379	1	Console Weldment
2	2505096	2	Bracket
3	2801436	1	Fuse Panel W/ Cover
4	2900121	4	Cap Screw, Soc. Hd., #10-32 x 3/8"
5	2900022	2	Flat Washer, 5/16" SAE
6	2900019	2	Cap Screw, Hex Hd., 5/16-18 x 3/4"
7	2900039	2	Lock Nut, 5/16-18 Nylon
8	2800389	5	Fuse, 10 Amp Red ATO/ATC
9	2800512	1	Fuse, 15 Amp Blue ATO/ATC
10	2800387	1	Circuit Breaker, 25 Amp
11	2800364	1	Circuit Breaker Boot
12	2900159	1	Machine Screw, Rd. Hd., #10-24 x 5/8"
13	2900016	1	Flat Washer, #10 USS
14	2900017	1	Lock Nut, #10-24 Nylon
15	3202211	1	3/8"M.JIC Bulkhead
16	3201464	1	Fitting, 3/8" M. JIC Bulkhead Elbow
17	3202212	1	Swivel Nut Run Tee -6 JIC
18	3201267	1	Pressure Gage, 2000 PSI
19	3202213	1	1/4F.NPT-3/8F.JIC Adaptor
20	6043493	1	Battery Pad CC7878
21	2801025	1	Battery, 12 Volt Group Size 86
22	6043378	1	Battery Clamp
23	2900009	6	Flat Washer, 1/4" SAE
24	2900024	6	Lock Washer, 1/4" Split
25	2901405	2	Cap Screw, Hex Hd., 1/4-20 x 7-1/2"
26	2900180	1	Cap Screw, Hex Flange Hd., 1/4-20 x 1"
27	2900010	1	Lock Nut, 1/4-20 Nylon
28	6043374	1	Instrument panel Assembly
29	2900014	3	Flat Washer, 3/8" SAE
30	2900006	13	Lock Washer, 3/8" Split
31	2900196	13	Cap Screw, Hex Hd., 3/8-16 x 3/4"
32	6043377	1	Access Panel Weldment
33	2900144	4	Cap Screw, Hex Hd., 1/4-20 x 3/4"
34	2900014	10	Flat Washer, 3/8" SAE
35	6046028	1	Hydraulic Lift Pump Assy.
36	6043263	1	Hose Support Tube Weldment
37	2400157	2	Hand Lock Knob, 5/16-18 x 1"
38	1800680	2	Decal, EZ-RIDER
39	1800169	1	Serial Number Plate, US
40	2900053	2	Rivet, 3/32" Dia.

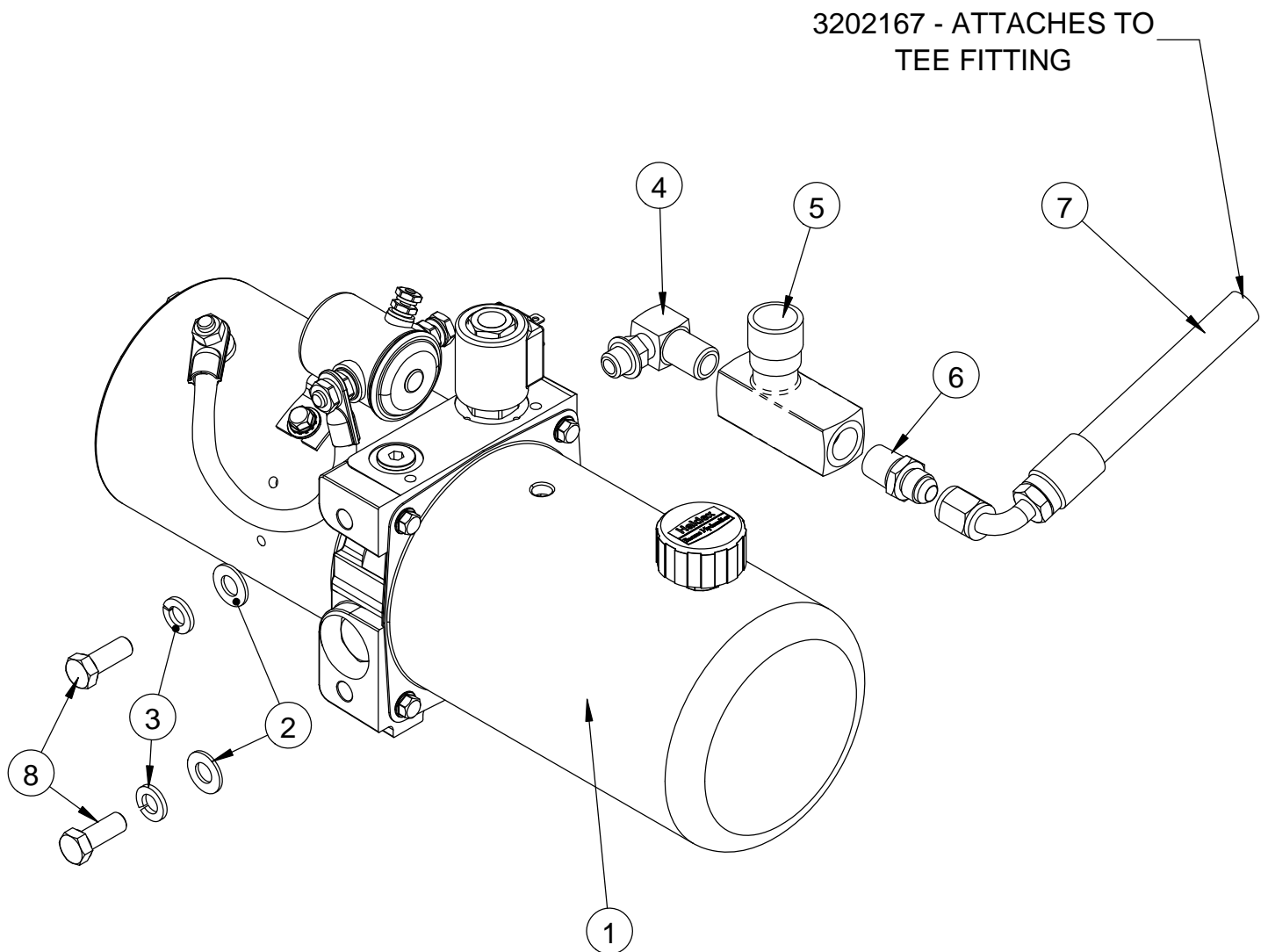
## 6043374 INSTRUMENT PANEL ASSEMBLY



ITEM	PART NO.	QTY.	DESCRIPTION
1	6043376	1	Console Lid Weldment
2	6046035	1	Gauge Panel
3	1801385	1	Console Label
4	2800458	1	Fuel Gage
5	2504452	1	Grommett 2"
6	2800470	2	Toggle Switch
7	2700785	1	Alternator Light -Orange
8	2700787	1	Oil Temperature Light - Red
9	2700786	1	Oil Pressure Light -Green
10	2703192	1	Temperature Gauge, Pricol
11	2500204	1	Plug, 1/2" Hole
12	6011504	1	Tach/Hour Meter (VDO) Calibrated 17
13	2400628	1	O-Ring #152
14	2703194	1	Ignition Switch & Key

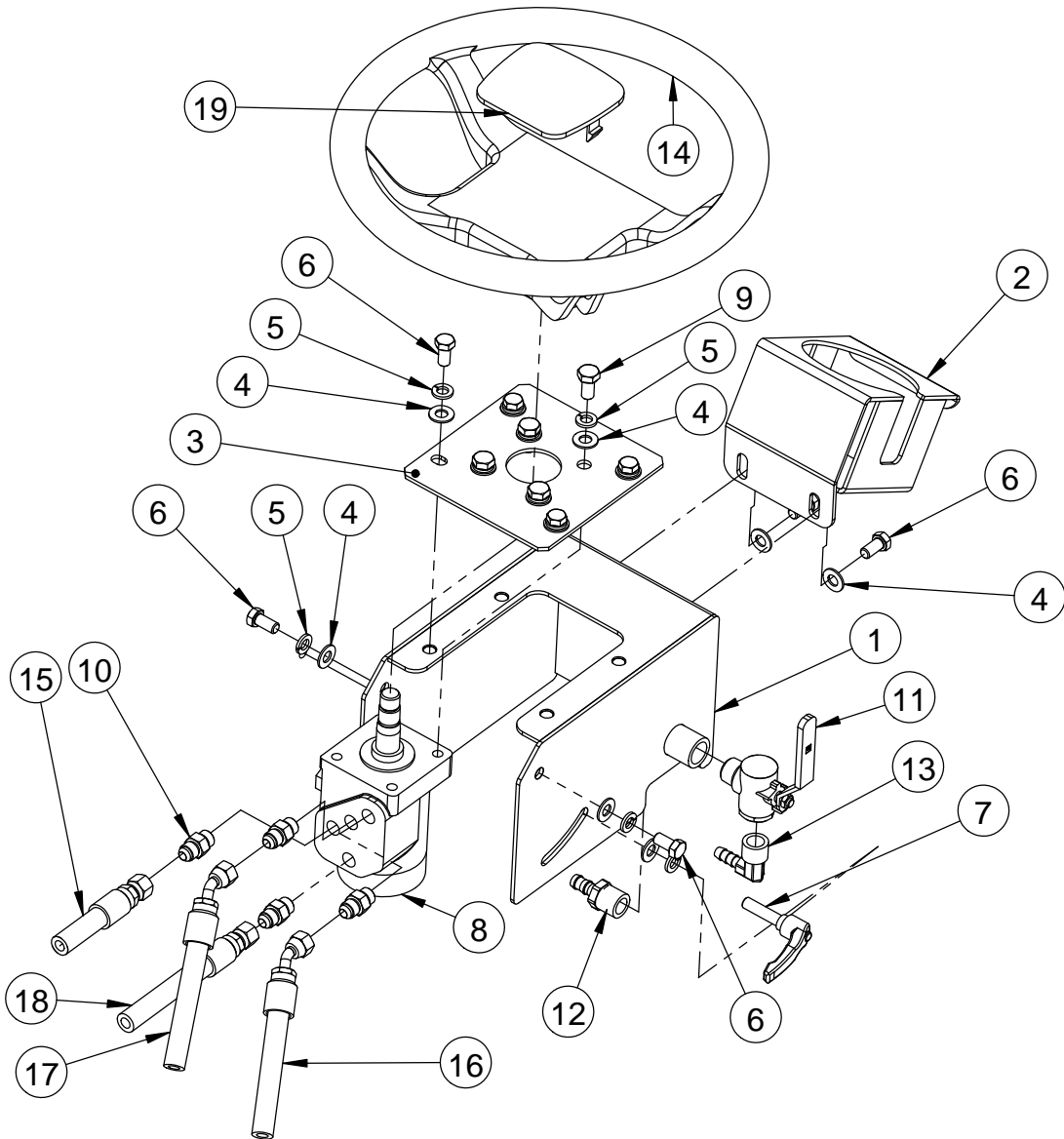
ITEM	PART NO.	QTY.	DESCRIPTION
15	2900016	6	Flat Washer, #10 USS
16	2900038	6	Lock Washer, #10 Split
17	2900159	6	Machine Screw, Rd. Hd., #10-24 x 5/8"
18	2801376	1	E-Stop Nameplate
19	2801367	1	E-Stop Switch
20	2503711	1	Grommet, 3/8" I.D.
21	2801427	1	Bracket, Mounting Relay
22	2801428	1	Relay, 20-40 Amps
23	2801429	1	Connector, Sealed, 5 Wire
24	2900009	1	Flat Washer, 1/4" SAE
25	2900010	1	Lock Nut, 1/4-20 Nylon
26	2900023	1	Cap Screw, Hex Hd., 1/4-20 x 5/8"
27	2501517	1	Dual Beam Light

## 6046028 HYDRAULIC LIFT PUMP ASSEMBLY



ITEM	PART NO.	QTY	DESCRIPTION
1	6011616	1	Hydraulic Pump Unit, 12V
2	2900014	2	Flat Washer, 3/8" SAE
3	2900006	2	Lock Washer, 3/8" Split
4	3200389	1	3/8" O-Ring TO 3/8" M. Pipe
5	3200528	1	Flow Control Valve
6	3201467	1	Fitting, 3/8" M. JIC to 3/8" M. Pipe
7	3202167	1	Hyd Hose Cylinder Tee to Power Unit
8	2900005	2	Cap Screw, Hex Hd., 3/8-16 x 1"

# 6046029 STEERING CONTROL ASSEMBLY

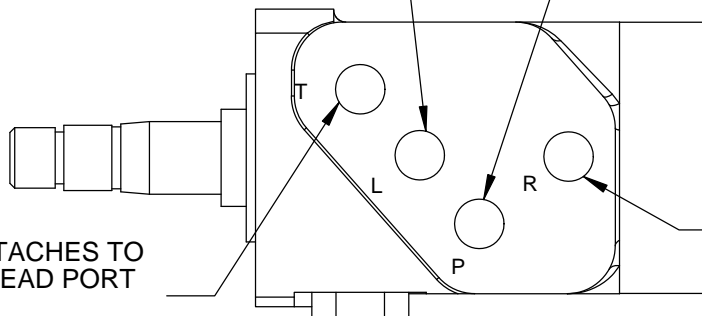


3202160 - ATTACHES TO THE BOTTOM PORT OF THE ROTARY ACTUATOR

3202163 - ATTACHES TO FRONT BULKHEAD PORT

3202161 - ATTACHES TO REAR BULKHEAD PORT

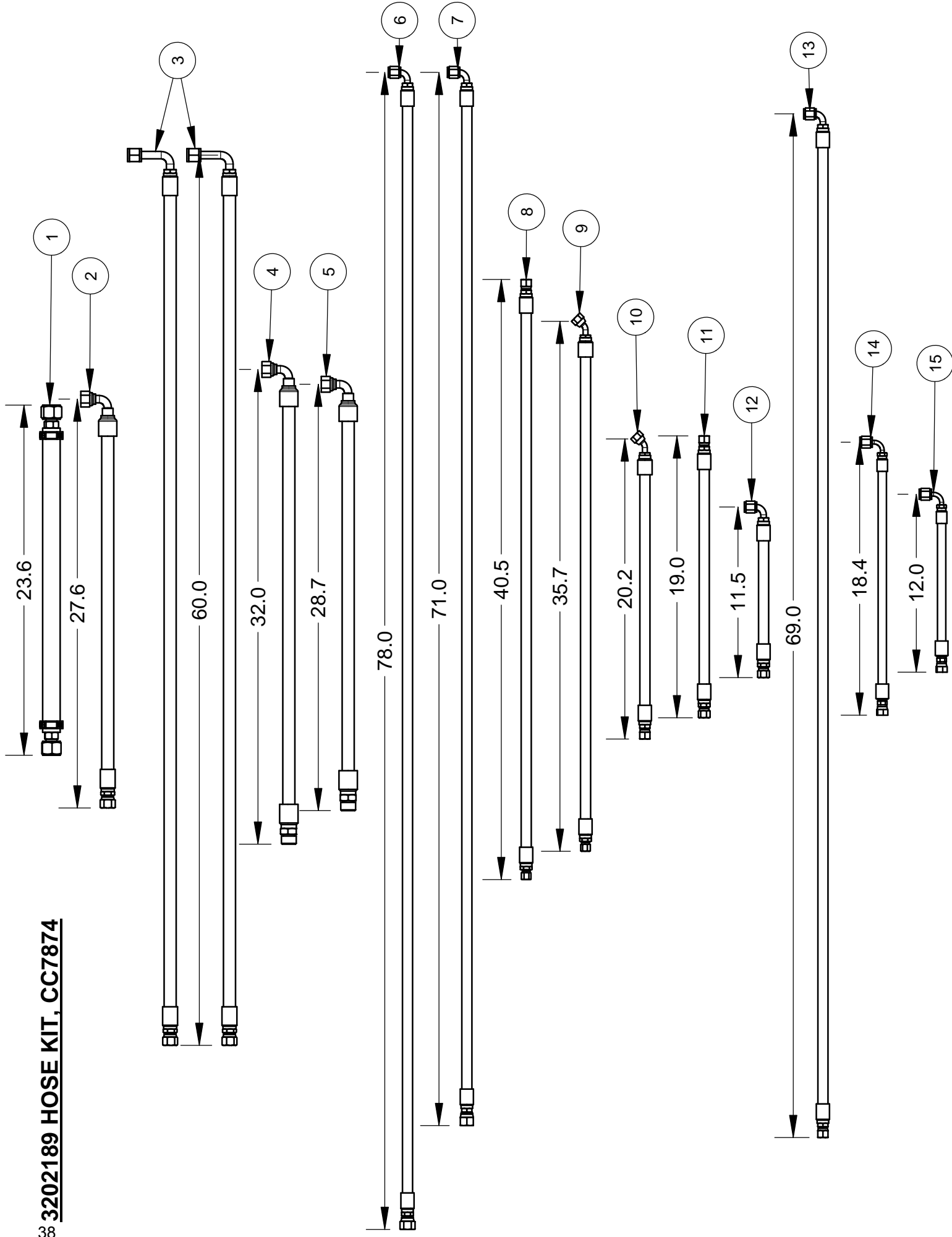
3202162 - ATTACHES TO THE TOP PORT OF THE ROTARY ACTUATOR



## **6046029 STEERING CONTROL ASSEMBLY**

ITEM	PART NO.	QTY	DESCRIPTION
1	6043245	1	Steering Mount Weldment
2	6043244	1	Cup Holder Weldment
3	6043246	1	Steering Mount Plate
4	2900014	13	Flat Washer, 3/8" SAE
5	2900006	11	Lock Washer, 3/8" Split
6	2900196	8	Cap Screw, Hex Hd., 3/8-16 x 3/4"
7	2500577	1	Lever, Adjustable 3/8-16"
8	2600334	1	Steer Control Unit
9	2900314	4	Cap Screw, Hex Hd., M10-1.5 x 20mm
10	3200263	4	Adapter, 3/8" O-Ring to 3/8" M. JIC
11	3200521	1	Ball Valve-.50- 90 Degree
12	3200517	1	1/2"X3/8" Hose Barb Strait (Brass)
13	3200516	1	1/2" X 3/8" Hose Barb, 90 Deg.
14	2501170	1	Steering Wheel 14" DIA
15	3202163	1	Hyd Hose Orbital "P" Port to Front Bulkhead
16	3202161	1	Hyd Hose Orbital "T" Port to Rear Bulkhead
17	3202160	1	Hyd Hose to Bottom Rotary Act Port to "L" Orbital Port
18	3202162	1	Hyd Hose Top Rotary Act Port to "R" Orbital Port
19	2501176	1	Steering Wheel Cap

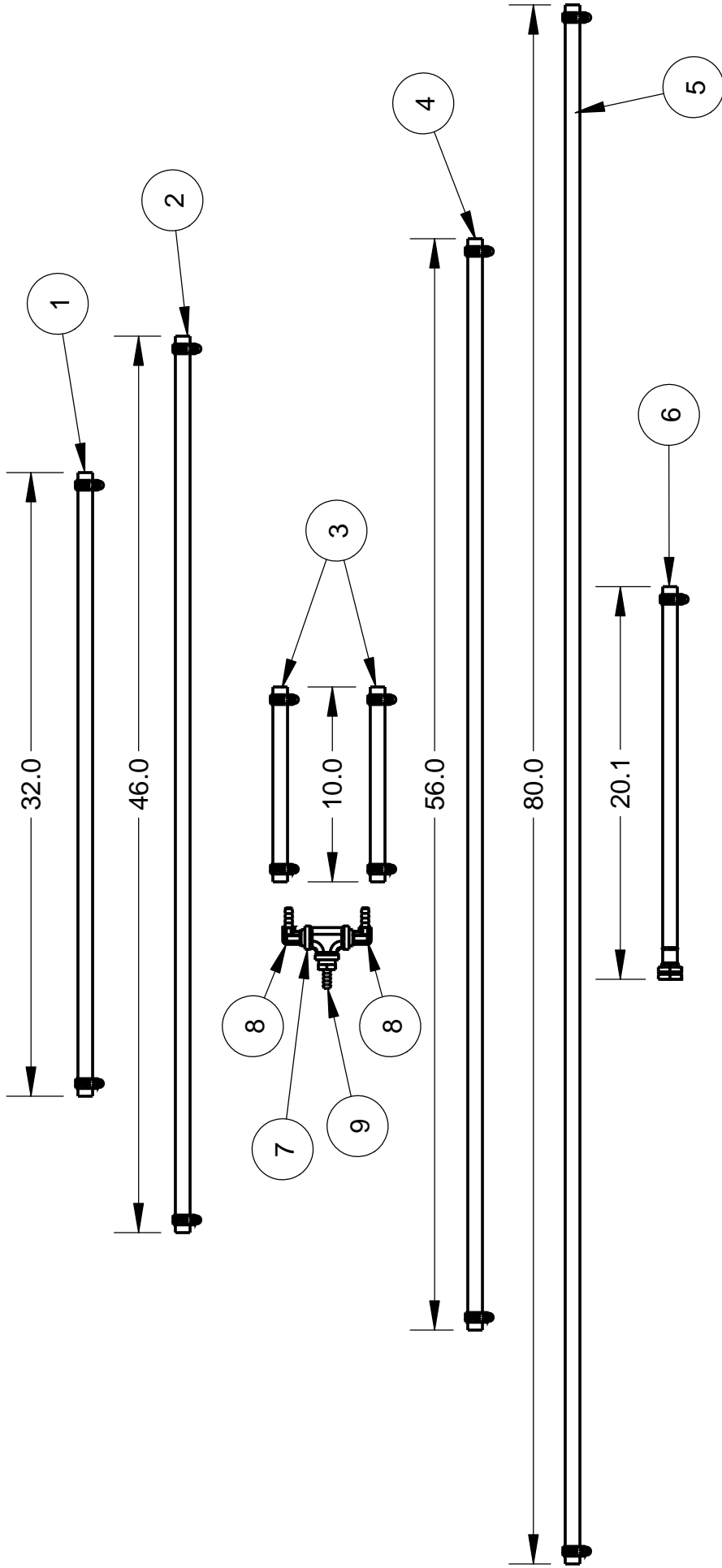
∞ **3202189 HOSE KIT, CC7874**



## 3202189 HOSE KIT CC7874

ITEM	PART NO.	QTY.	DESCRIPTION
1	4646086	1	Hose Assembly, 3/4" x 23.6"
	3201989	2	Fitting, 3/4" F.JIC to 3/4" Hose Barb
	3200135	2	Hose Clamp #16
2	3202113	1	Hose Assy., 1/2 FJIC-1/2 FJIC, 90 Deg., x 27-1/2"
	3200408	1	Elbow, 1/2" F. JIC to 1/2" Parkrimp 90 deg.
	3200290	1	Fitting, 1/2" Female JIC to 1/2" Hose Crimp
3	3202159	2	Hose Assy., 1/2FJIC-1/2FJIC Long 90 Deg. x 60"
	3200413	1	1/2"F.JIC TO 1/2"Parkrimp 90 Deg. Elbow Long
	3200290	1	Fitting, 1/2" Female JIC to 1/2" Hose Crimp
4	3202157	1	Hose Assy., 5/8 MOR-1/2 FJIC, 90 Deg., x 32"
	3205531	1	5/8 M O-ring - 1/2" Hose Crimp
	3200408	1	Elbow, 1/2" F. JIC to 1/2" Parkrimp 90 deg.
5	3202156	1	Hose Assy., 5/8 MOR-1/2 FJIC, 90 Deg., x 29"
	3205531	1	5/8 M O-ring - 1/2" Hose Crimp
	3200408	1	Elbow, 1/2" F. JIC to 1/2" Parkrimp 90 deg.
6	3202165	1	Hose Assy., 3/8 x 78", 1/2FJIC-3/8FJIC 90
	3201469	1	Elbow, 3/8" F. JIC to 3/8" Hose Crimp, 90 Deg.
	3200421	1	Fitting, 1/2" F. JIC to 3/8" Hose Crimp
7	3202166	1	Hose Assy., 3/8 x 71", 1/2FJIC-3/8FJIC 90
	3201469	1	Elbow, 3/8" F. JIC to 3/8" Hose Crimp, 90 Deg.
	3200421	1	Fitting, 1/2" F. JIC to 3/8" Hose Crimp
8	3202162	1	Hose Assy., 1/4 FJIC-3/8 FJIC x 38"
	3201470	1	1/4 FJIC - 3/8" Hose Crimp
	3200420	1	Fitting, 3/8" F. JIC to 3/8" Hose Crimp
9	3202160	1	Hose Assy., 1/4 FJIC-3/8 FJIC 45 Deg. x 36"
	3201470	1	1/4 FJIC - 3/8" Hose Crimp
	3201471	1	3/8 FJIC - 3/8" Hose Crimp, 45 Deg.
10	3202161	1	3/8 FJIC - 3/8 FJIC, 45 Deg., 20-1/2"
	3200420	1	Fitting, 3/8" F. JIC to 3/8" Hose Crimp
	3201471	1	3/8 FJIC - 3/8" Hose Crimp, 45 Deg.
11	3202163	1	3/8 FJIC - 3/8 FJIC x 19"
	3200420	2	Fitting, 3/8" F. JIC to 3/8" Hose Crimp
12	3202164	1	Hose Assy., 3/8 FJIC-3/8 FJIC, 90 Deg. x 11-1/2"
	3201469	1	Elbow, 3/8" F. JIC to 3/8" Hose Crimp, 90 Deg.
	3200420	1	Fitting, 3/8" F. JIC to 3/8" Hose Crimp
13	3202167	1	Hose Assy., 3/8 FJIC-3/8 FJIC, 90 Deg., x 69"
	3200420	1	Fitting, 3/8" F. JIC to 3/8" Hose Crimp
	3201469	1	Elbow, 3/8" F. JIC to 3/8" Hose Crimp, 90 Deg.
14	3202169	1	Hose Assy., 3/8 FJIC-3/8 FJIC, 90 Deg., x 18-1/2"
	3200318	1	3/8 FJIC - 1/4 Parkrimp
	3205534	1	3/8 FJIC - 1/4 Parkrimp, 90 Deg.
15	3202168	1	Hose Assy., 3/3 FJIC-3/8 FJIC, 90Deg., x 12"
	3205534	1	3/8 FJIC - 1/4 Parkrimp, 90 Deg.
	3200318	1	3/8 FJIC - 1/4 Parkrimp

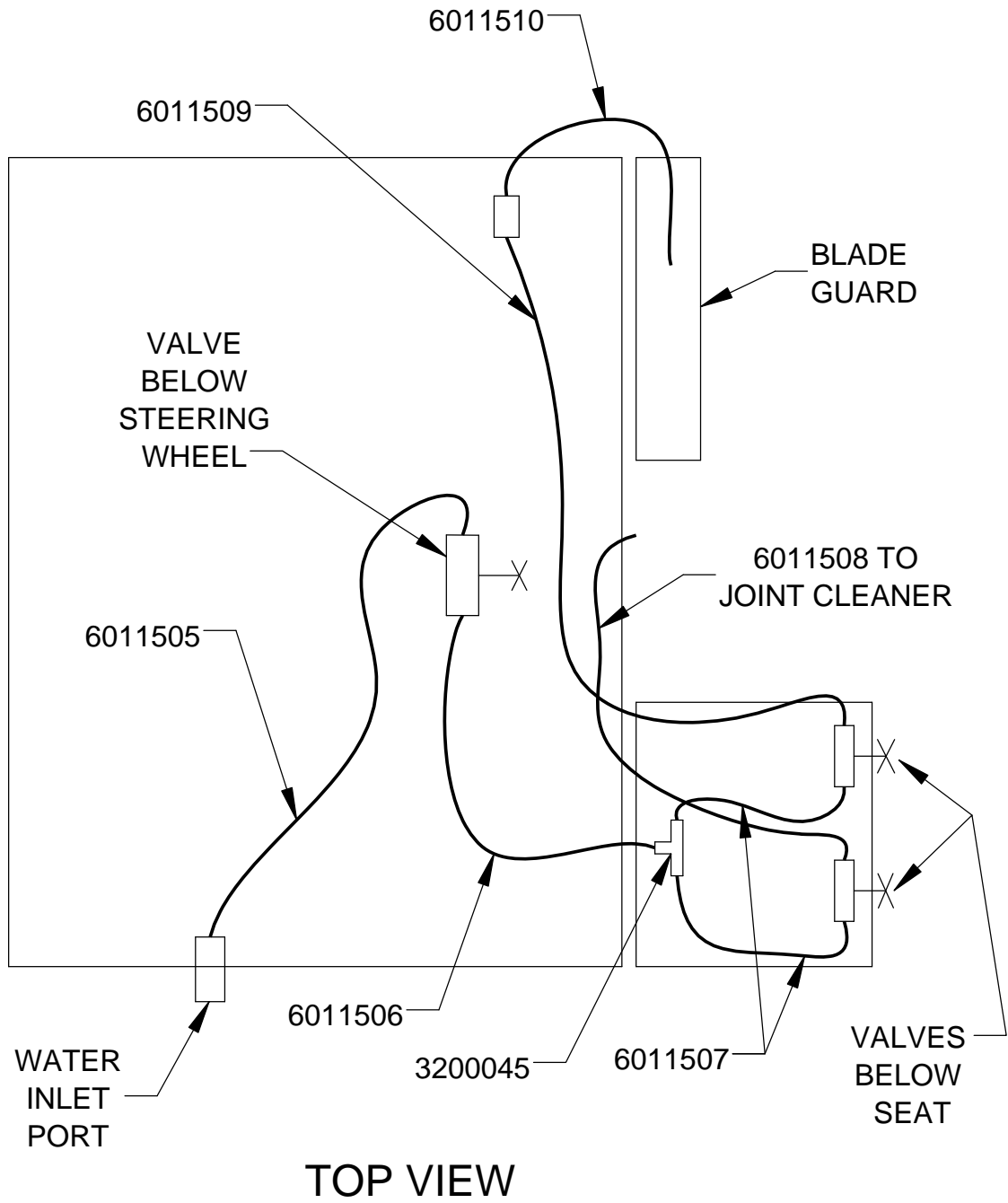
6011519 CC7874 WATER HOSE KIT



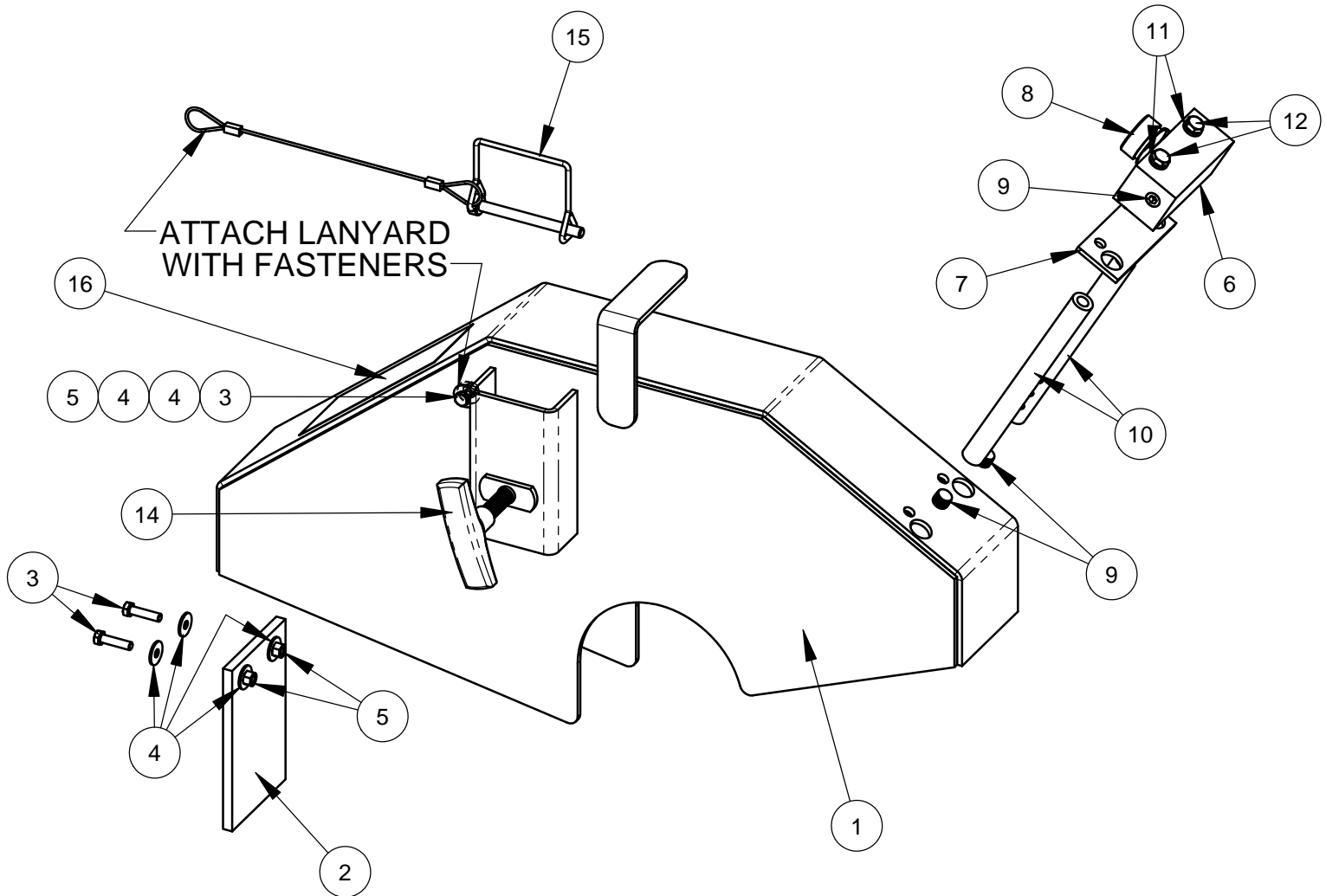
ITEM	PART NO.	QTY.	DESCRIPTION
1	6011505	1	Hose, 1/2 x 32" W/Clamps
2	6011506	1	Hose, 1/2 x 46" W/Clamps
3	6011507	2	Hose, 1/2 x 10" W/Clamps
4	6011508	1	Hose, 1/2 x 56" W/Clamps
5	6011509	1	Hose, 1/2 x 80" W/Clamps
6	6011510	1	Hose, 1/2 x 10" Clamp to F Garden
7	3200045	1	Pipe Tee, 1/2" NPT
8	3200516	2	1/2" X 3/8" Hose Barb, 90 Deg.
9	3200234	1	Fitting, 1/2" MPT to 3/8" Hose Barb



# CC7874 WATER HOSE ROUTING

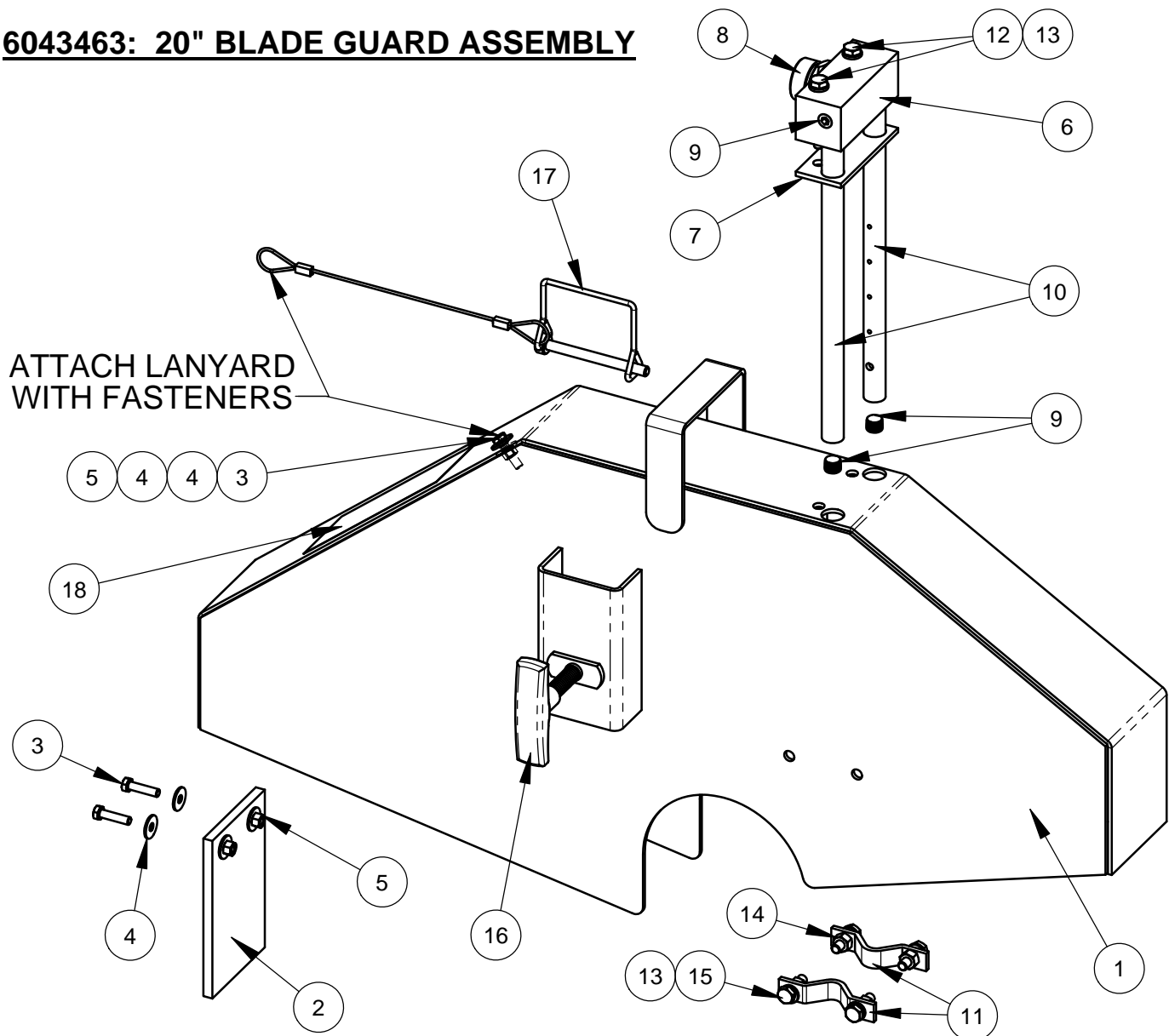


## 6047129: 14" BLADE GUARD ASSEMBLY



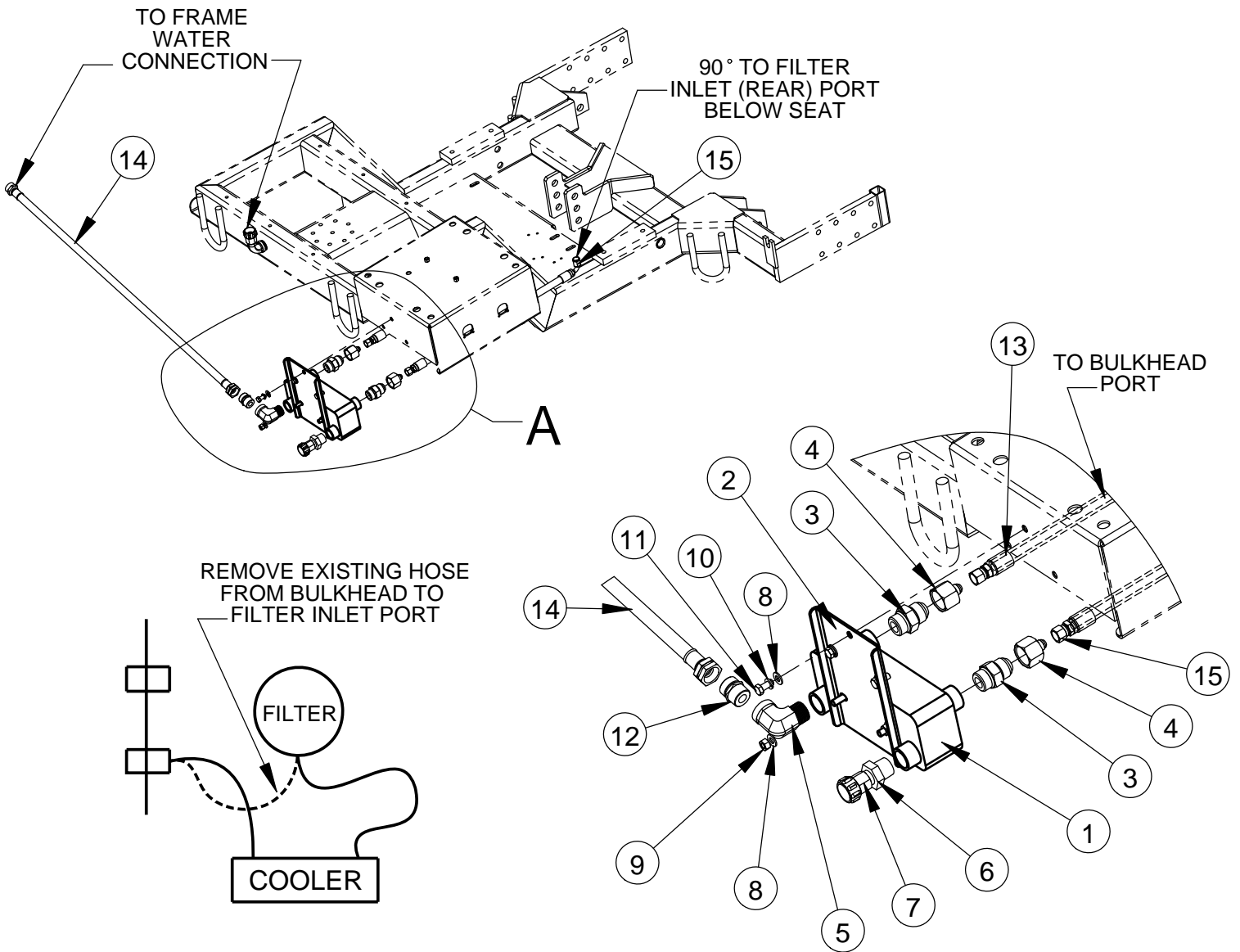
ITEM	PART NO.	QTY.	DESCRIPTION
1	6043288	1	14" Blade Guard Weldment
2	6048039	1	Splash Flap
3	2900309	3	Cap Screw, Hex Hd., M5-0.8 x 20mm
4	2900770	6	Fender Washer, M5
5	2900301	3	Lock Nut, M5-0.8 Nylon Insert
6	6048123	1	Water Manifold
7	2500829	1	Water Manifold Gasket
8	3200002	1	Fitting, 3/8" M. Pipe to 3/4" M. Garden
9	3200001	3	Plug, 1/8" NPT
10	6043289	2	14" Spray Tubes
11	2901494	2	Flat Washer, M6
12	2900244	2	Cap Screw, Hex Hd., M6-1.0 x 45mm
13	2900302	2	Lock Nut, M6-1.0 Nylon Insert
14	2400199	1	Locking Knob 3/8 Stud
15	6011344	1	Lockpin, 1/4 x 2-1/2" W/8" Lanyard
16	1800001	1	Warning Label

# 6043463: 20" BLADE GUARD ASSEMBLY



ITEM	PART NO.	QTY.	DESCRIPTION
1	6047214	1	20" Blade Guard Weldment
2	6048039	1	Splash Flap
3	2900309	3	Cap Screw, Hex Hd., M5-0.8 x 20mm
4	2900770	6	Fender Washer, M5
5	2900301	3	Lock Nut, M5-0.8 Nylon Insert
6	6048123	1	Water Manifold
7	2500829	1	Water Manifold Gasket
8	3200002	1	Fitting, 3/8" M. Pipe to 3/4" M. Garden
9	3200001	3	Plug, 1/8" NPT
10	6010085	2	Water Tube for 20" Guard
11	6048155	2	Water Tube Clamp
12	2900244	2	Cap Screw, Hex Hd., M6-1.0 x 45mm
13	2901494	6	Flat Washer, M6
14	2900302	6	Lock Nut, M6-1.0 Nylon Insert
15	2900310	4	Cap Screw, Hex Hd., M6-1.0 x 20mm
16	2400199	1	Locking Knob 3/8 Stud
17	6011344	1	Lockpin, 1/4 x 2-1/2" W/8" Lanyard
18	1800001	1	Warning Label

## 6040576 OIL COOLER KIT (OPTIONAL)



ITEM	PART NO.	QTY.	DESCRIPTION
1	2400256	1	Heat Exchanger
2	6040575	1	Oil Cooler Bracket
3	3200265	2	Adapter, 3/4" O-Ring to 3/4" M. JIC
4	3201984	2	Reducer, 3/4" F. JIC to 3/8" M. JIC
5	3200430	1	Street Elbow, 3/4" NPT (Steel)
6	3200383	1	Nipple, Hex, 3/4" MPT TO 1/2" MPT
7	3200022	1	Fitting, 1/2" F. Pipe to 3/4" F. Garden
8	2900022	5	Flat Washer, 5/16" SAE
9	2900303	2	Lock Nut, M8-1.25 Nylon Insert
10	2900031	3	Lock Washer, 5/16" Split
11	2900019	3	Cap Screw, Hex Hd., 5/16-18 x 3/4"
12	3201659	1	Fitting, 3/4" M. Pipe to 3/4" M. Garden
13	3202163	1	3/8 FJIC - 3/8 FJIC x 19"
14	6040577	1	Oil Cooler Water Hose
15	3202112	1	3/8" Hyd Hose 22"

# 1801695 - E-Z Rider Decal Set

1801047

**HYDRAULIC OIL**  
CHECK OIL LEVEL BEFORE STARTING  
TANK CAPACITY: 7 GALLONS (26.5 LITER)

1801046

**DIESEL FUEL ONLY**  
MANUFACTURER RECOMMENDS  
ASTM D975 NO. 2D  
(THE GENERAL AUTOMOTIVE DIESEL ENGINE  
ALL-PURPOSE FUEL OIL) OR EQUIVALENT  
WHICH FULLY MEETS THE ABOVE REQUIREMENTS.

1801045

**WATER VALVE**

SET FLOW VOLUME TO BLADEGUARD  
AND JOINT CLEANER WITH (2) VALVES  
LOCATED UNDER THE SEAT

1801044

**JOINT CLEANER**      **BLADEGUARD**

**INCREASE FLOW**

1801042

**MAINTENANCE**  
And Inspection Schedule

Check engine oil -----Daily  
Check air cleaner—shake out loose dirt -----Daily  
Check arbor bearings DO NOT overgrease -----Daily  
Check hydraulic oil level -----Daily  
Check air cleaner connections -----Daily  
Check belt tension and condition -----Daily  
Inspect blade shaft pin and collars -----25 hrs  
Grease output shaft bearing DO NOT overgrease 50 hrs  
Service air cleaner element -----See Indicator on filter  
Inspect sheaves for wear and cracks -----50 hrs  
Change engine oil and filter -----100 hrs

1801052

**WARNING:** TO PREVENT BODILY INJURY

GUARD MUST BE IN PLACE  
WHEN ENGINE IS RUNNING  
REMOVE FOR MAINTENANCE  
PURPOSES ONLY!

1801053

**WARNING:** TO PREVENT BODILY INJURY

THIS ENGINE PRODUCES CARBON MONOXIDE,  
AN INVISIBLE DEADLY POISONOUS GAS.  
OPERATE ONLY IN A WELL VENTILATED AREA!

READ OPERATORS MANUAL  
BEFORE OPERATING

DO NOT OPERATE MACHINE  
WHILE UNDER THE INFLUENCE  
OF ALCOHOL OR DRUGS

NEVER LEAVE THIS MACHINE  
UNATTENDED WHILE RUNNING

NEVER OPERATE THIS MACHINE WITHOUT  
GUARDS SECURED IN PLACE

1801048

**WARNING:** TO PREVENT BODILY INJURY

STAY CLEAR OF BLADE  
WHILE ENGINE IS RUNNING

STAY CLEAR OF BELTS  
WHILE ENGINE IS RUNNING

4x 1801051

**GREASE FITTING  
LOCATION**

1801049

**WARNING:** TO PREVENT BODILY INJURY

STAY CLEAR OF BELTS  
WHILE ENGINE IS RUNNING

1801054

**NOTE!**

LOOSEN ALL (4) ENGINE MOUNT BOLTS  
LOCATED ON SIDE OF FRAME BEFORE  
ADJUSTING BELT TENSIONING BOLT!  
FAILURE TO LOOSEN THESE BOLTS  
WILL DAMAGE THE SYSTEM.

TIGHTEN (CCW)

LOOSEN (CW)

**WARNING:** TO PREVENT BODILY INJURY



WHEN CHANGING BLADE SIZE,  
ADJUST ENGINE RPM ACCORDING  
TO THE RPM CHART TO MATCH  
RECOMMENDED BLADE RPM.  
NEVER EXCEED MAXIMUM RPM  
STAMPED ON BLADE.

**RPM CHART** (For Reference Only! Refer to RPM stamped on blade)

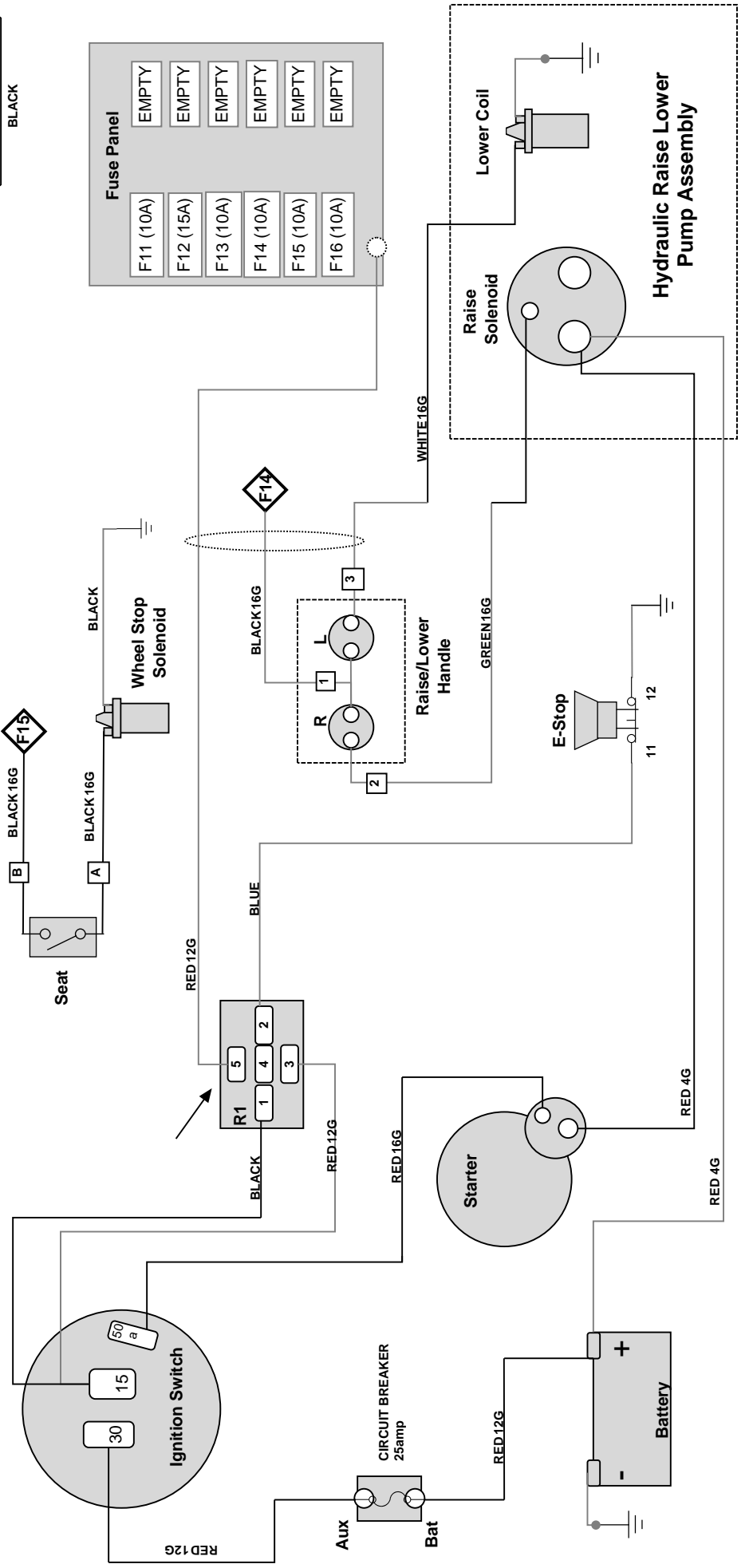
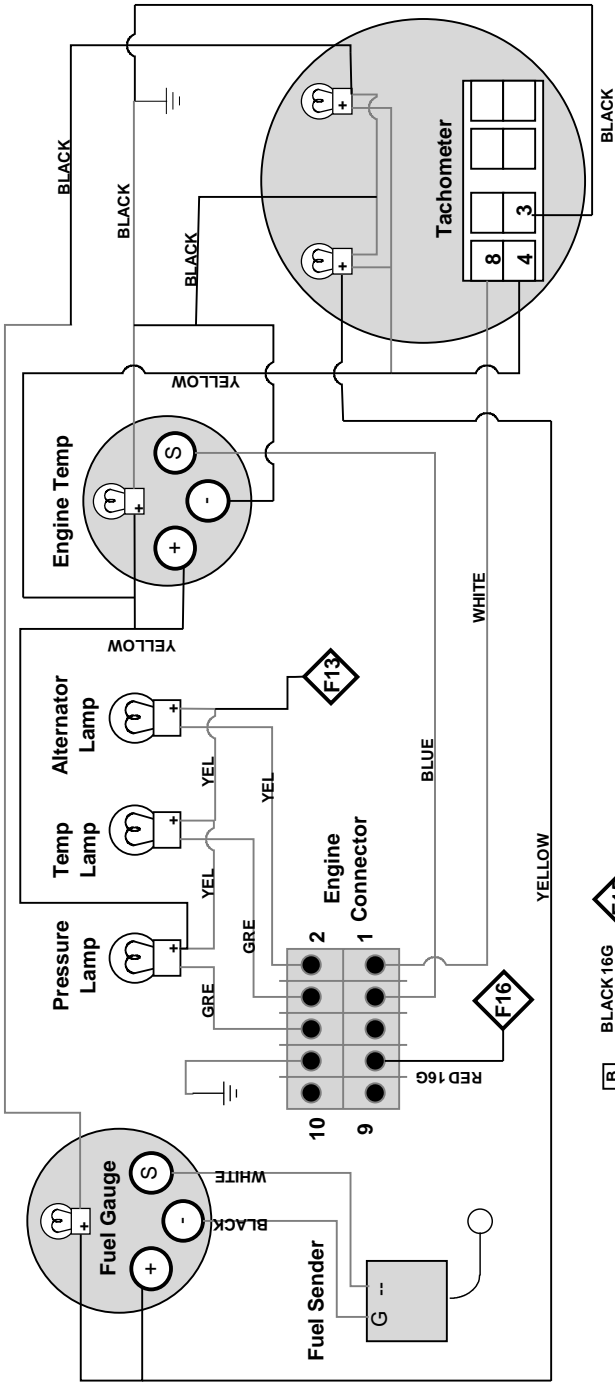
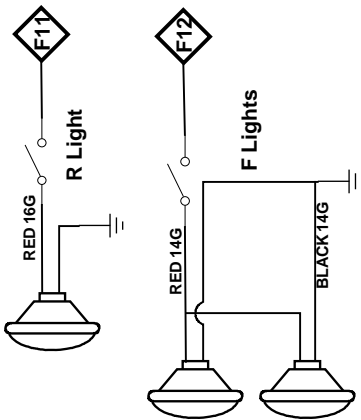
Blade Size	Typical RPM *
12	2865–3505
14	2460–3005
16	2155–2630
18	1910–2630
20	1720–2100

THIS UNIT IS SET UP WITH A 1:1  
SHEAVE RATIO. THE TACHOMETER  
READING REFERS TO BOTH THE  
ENGINE AND BLADE RPM.

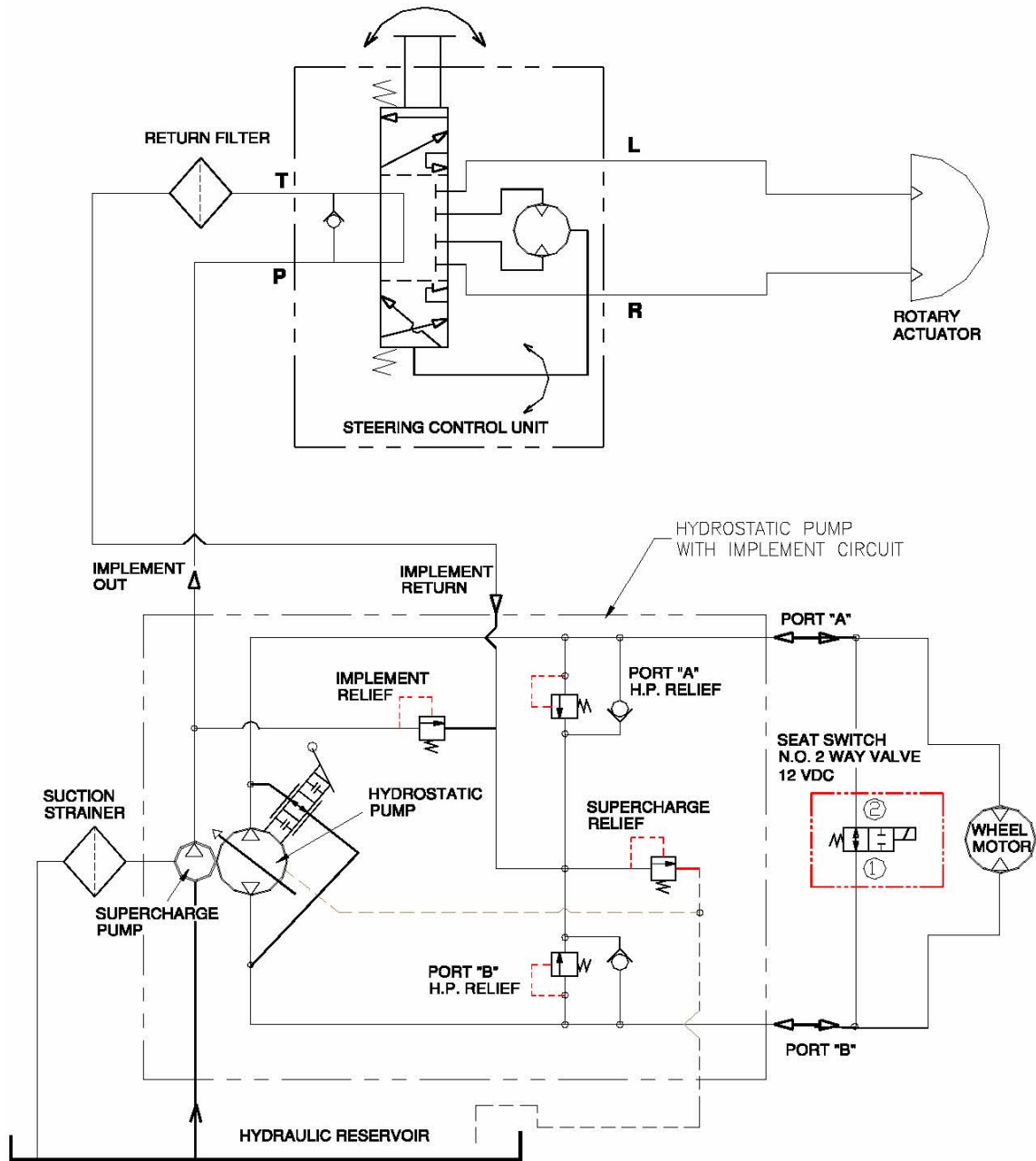
\*BASED ON 9000 TO 1100 SURFACE FEET PER MINUTE

# CC7874

4/1/2011 NEW IGNITION SWITCH



# Hydraulic Schematic



## EQUIPMENT AND PARTS WARRANTY

Diamond Products warrants all equipment manufactured by it against defects in workmanship or materials for a period of one (1) year from the date of shipment to Customer.

The responsibility of Diamond Products under this Warranty is limited to replacement or repair of defective parts at Diamond Products' Elyria, Ohio factory, or at a point designated by it, of such parts as shall appear to us upon inspection at such parts, to have been defective in material or workmanship, with expense for transportation and labor borne by Customer.

In no event shall Diamond Products be liable for consequential or incidental damages arising out of the failure of any Product to operate properly.

Integral units such as engines, electric motors, batteries, transmissions, etc., are excluded from this Warranty and are subject to the prime manufacturer's warranty.

**THIS WARRANTY IS IN LIEU OF ALL OTHER WARRANTIES, EXPRESSED OR IMPLIED, AND ALL SUCH OTHER WARRANTIES ARE HEREBY DISCLAIMED.**



333 Prospect Street, Elyria, Ohio 44035  
(440) 323-4616 • (800) 321-5336 • Fax (440) 323-8689  
[www.diamondproducts.com](http://www.diamondproducts.com)