

**DIAMOND**  
**PRODUCTS**

**CONCRETE SAW**  
**PARTS LIST**

**MODEL:**  
**CC7878 EZ-RIDER**

(June 2008)

PART#: 1801106

 **WARNING** 

**The engine exhaust from this product  
Contains chemicals known to the  
State of California to cause cancer,  
birth defects or other reproductive harm.**

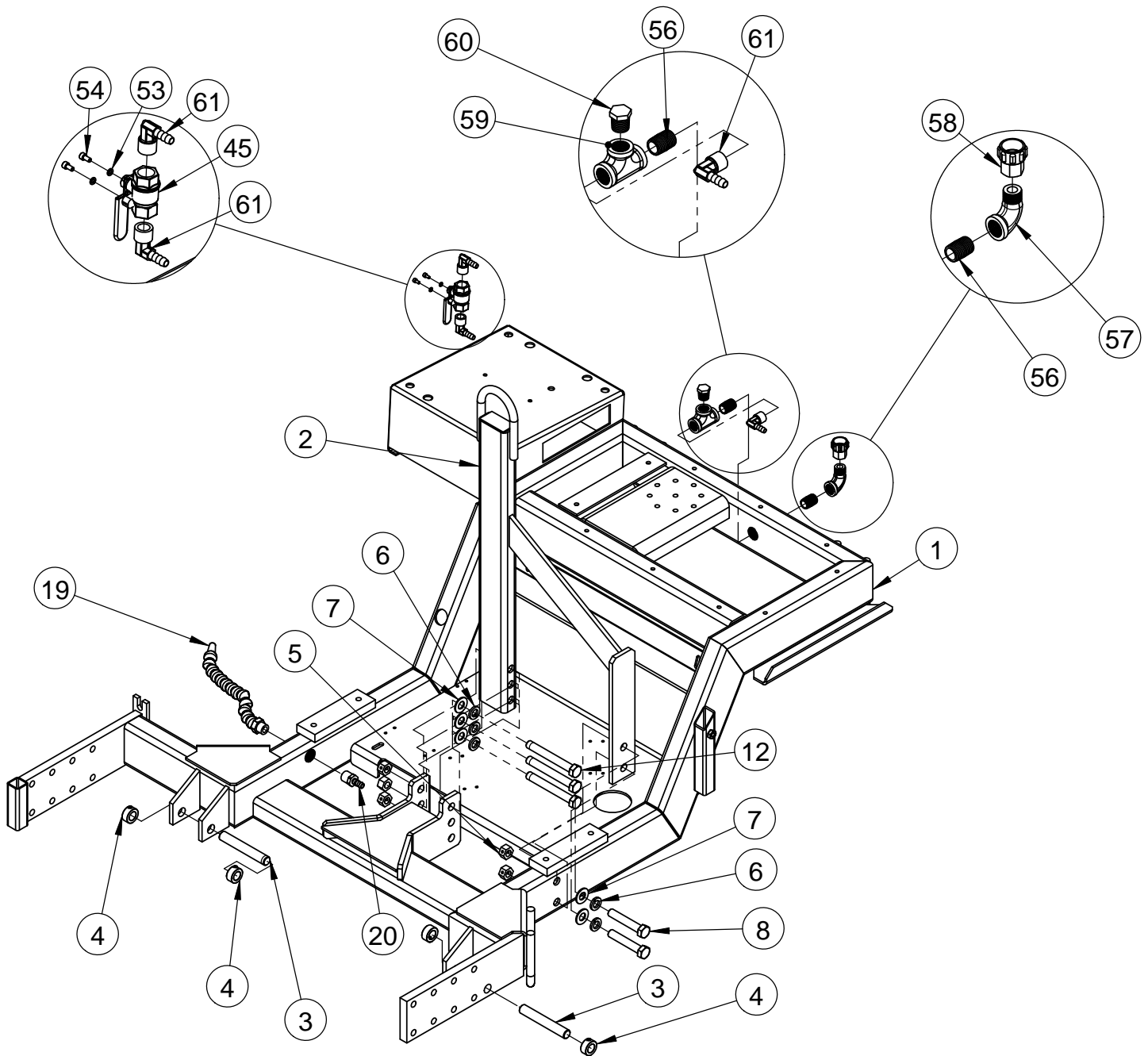


## Table of Contents

---

Frame components .....	4
Oil Filter Detail View.....	6
Manifold Block Assembly .....	7
Wheel Assembly .....	8
Guide Assembly.....	9
Engine Components .....	10
Pump Assembly .....	12
Muffler Assembly .....	14
Air Filter Assembly .....	15
Belt.....	16
Blade Shaft Assembly.....	17
Lift Assembly .....	18
Seat Components .....	20
Rear Drive Components .....	22
Blade Guard and Belt Guard.....	24
Fuel and Hydraulic Components.....	26
PTO Assembly .....	28
20" Blade Guard Assembly .....	30
14" Blade Guard Assembly .....	32
Console Components .....	34
Steering Control Unit Assembly .....	36
Hydraulic Lift Pump Assembly .....	38
Electrical Schematic.....	39
Hydraulic Components.....	40
Notes .....	41
Warranty .....	44

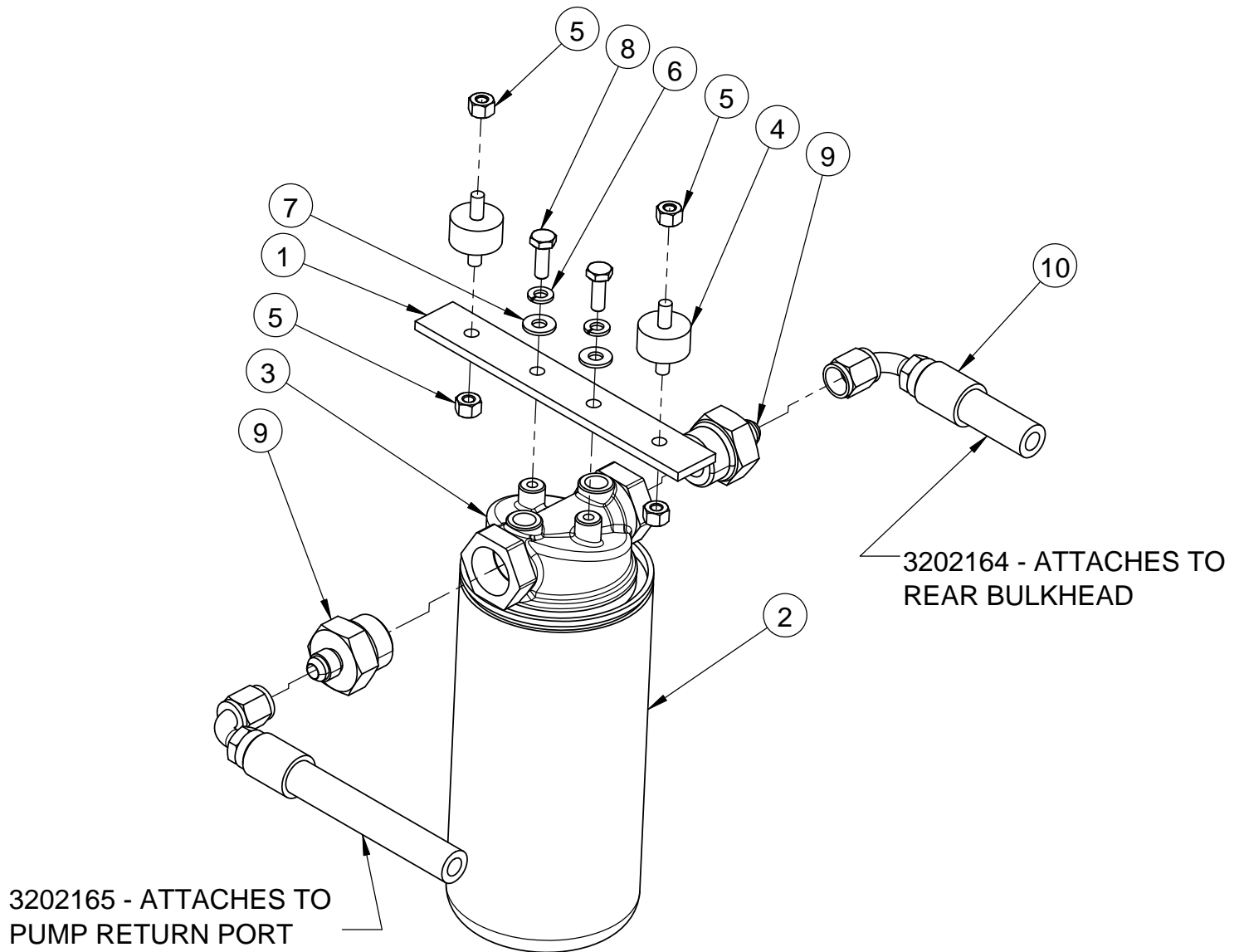
## Frame Components #6046003



### Frame Components #6046003

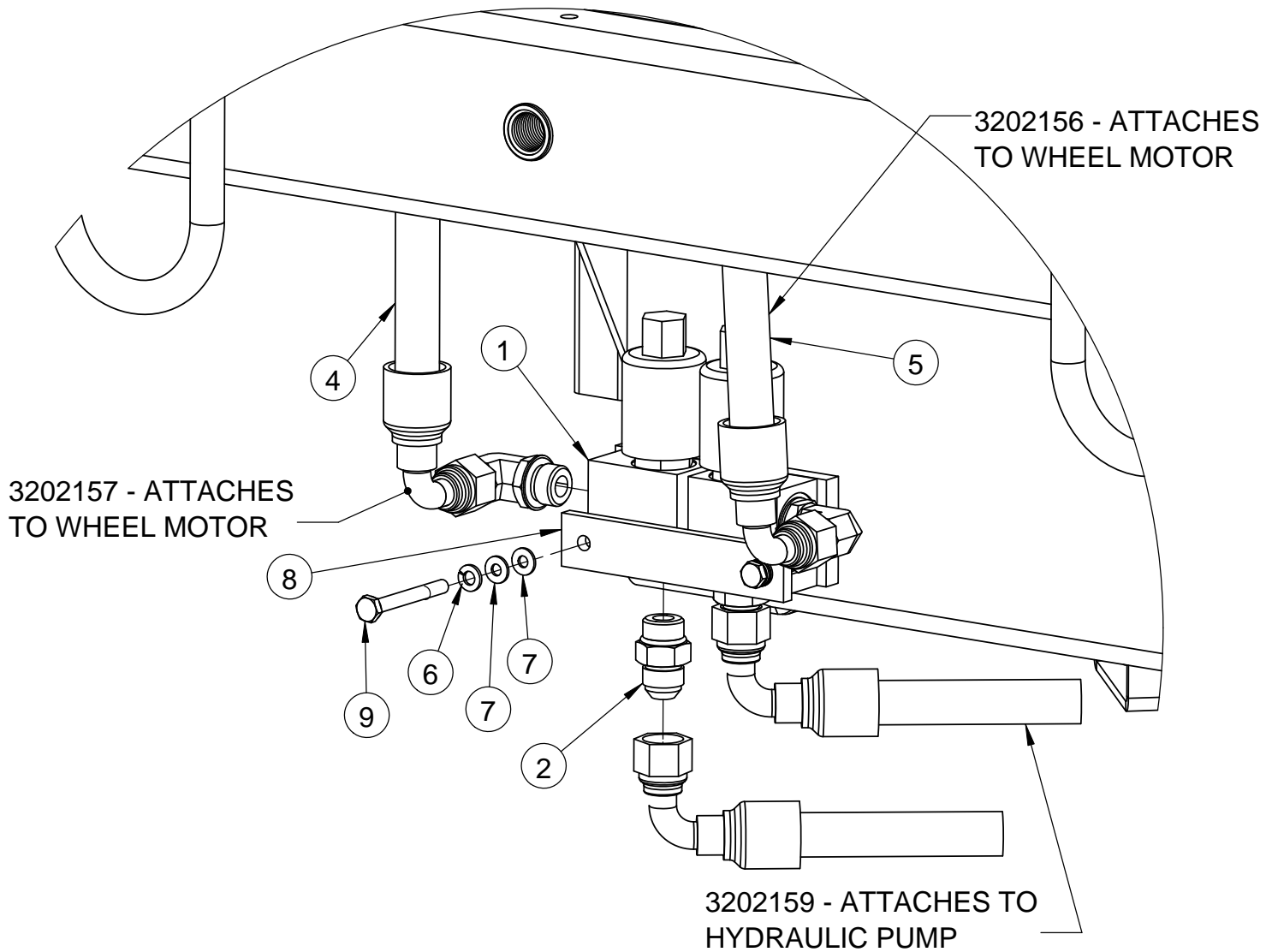
ITEM	PART NO.	QTY	DESCRIPTION
1	6043272	1	Frame Weldment
2	6043276	1	Lift Frame
3	6043271	2	Pin, Cylinder Long
4	2400615	4	Set Collar, 3/4"
5	2900112	5	Nut, Hex 5/8"-11
6	2900113	5	Lock Washer, 5/8" Split
7	2900002	5	Flat Washer, 5/8" SAE
8	2900099	2	Cap Screw, Hex Hd., 5/8-11 x 3-1/2"
9	3200026	2	Water Valve
10	2900038	4	Lock Washer, #10 Split
11	2900117	4	Cap Screw, Soc. Hd., #10-24 x 3/8"
12	2900502	3	Cap Screw, Hex Hd., 5/8-11 x 5"
13	3200008	2	Close Nipple, 1/2" NPT
14	3200013	1	Street Elbow, 1/2" NPT
15	3200022	1	Fitting, 1/2" F. Pipe to 3/4" F. Garden
16	3200045	1	Pipe Tee, 1/2" NPT
17	3200160	1	Plug, 1/2-14 NPT
18	3200516	5	1/2" X 3/8" Hose Barb
19	2501548	1	Spray Hose Assembly
20	3200517	1	1/2"X3/8" Hose Barb Strait (Brass)

## Oil Filter Detail View #6046022



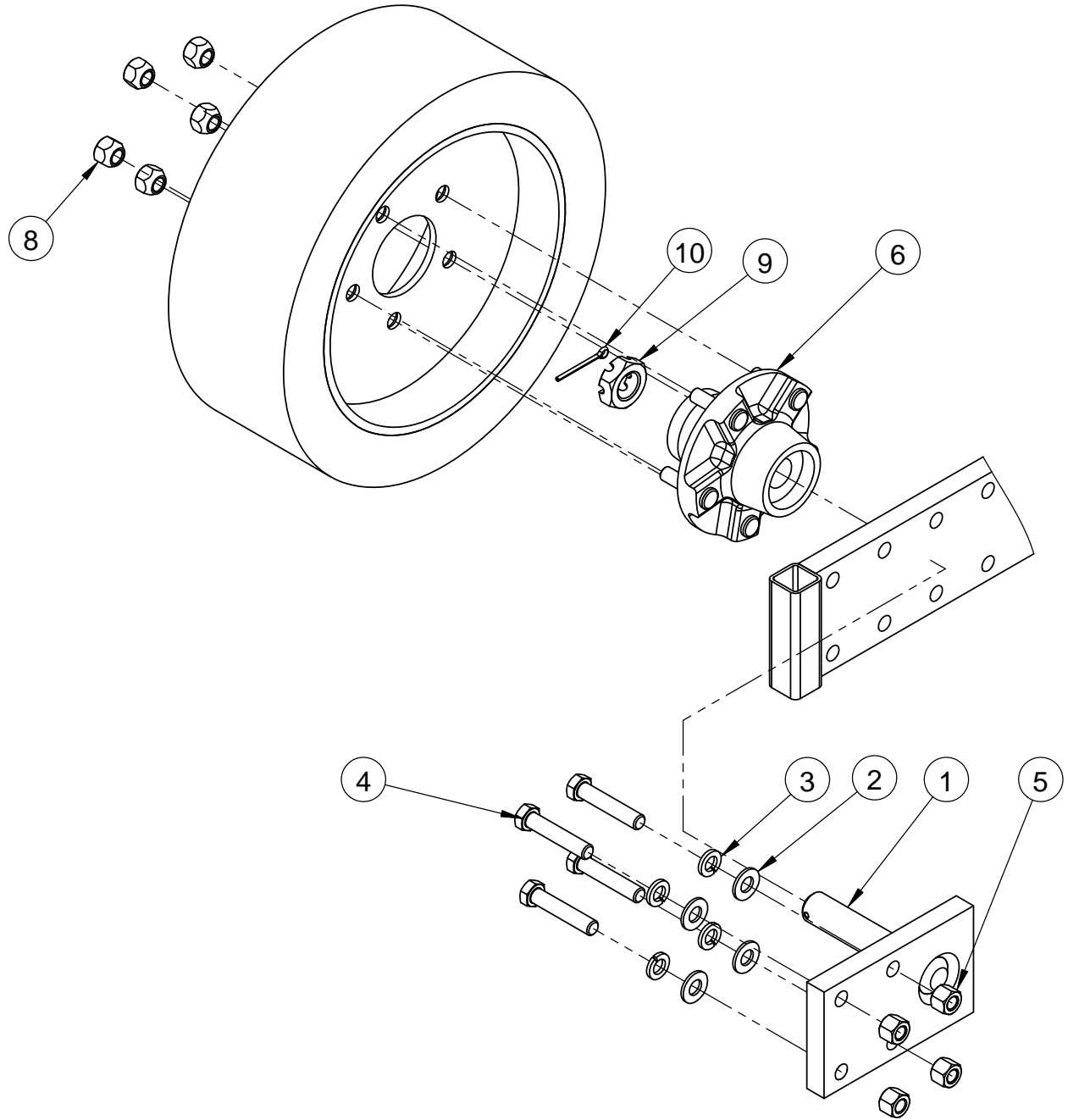
ITEM	PART NO.	QTY	DESCRIPTION
1	6043275	1	Filter Mount Plate
2	3201175	1	Hydraulic Filter Element
3	2501552	1	Filter Mount
4	2701360	2	Shock Mount
5	2900010	4	Lock Nut, 1/4-20 Nylon
6	2900024	2	Lock Washer, 1/4" Split
7	2900009	2	Flat Washer, 1/4" SAE
8	2900144	2	Cap Screw, Hex Hd., 1/4-20 x 3/4"
9	3202214	2	12M.O-Ring-6M.JIC Straight
10	3202164	1	Hyd Hose Filter In Port to Rear Bulkhead

## Manifold Block Assembly #6046023



ITEM	PART NO.	QTY	DESCRIPTION
1	6043297	2	Manifold Block Assembly
2	3200286	2	Adapter, 1/2" O-Ring to 1/2" M. JIC
3	3200285	2	Elbow, 1/2" O-Ring to 1/2" Male JIC
4	3202157	1	Hyd Hose Rear Wheel Motor to Left Manifold Port
5	3202156	1	Hyd Hose Front Wheel Motor to Right Manifold Port
6	2900024	2	Lock Washer, 1/4" Split
7	2900016	4	Flat Washer, #10 USS
8	6046031	1	Manifold Hold Down
9	2901000	2	Cap Screw, Hex Hd., 1/4-20 x 2-1/4"

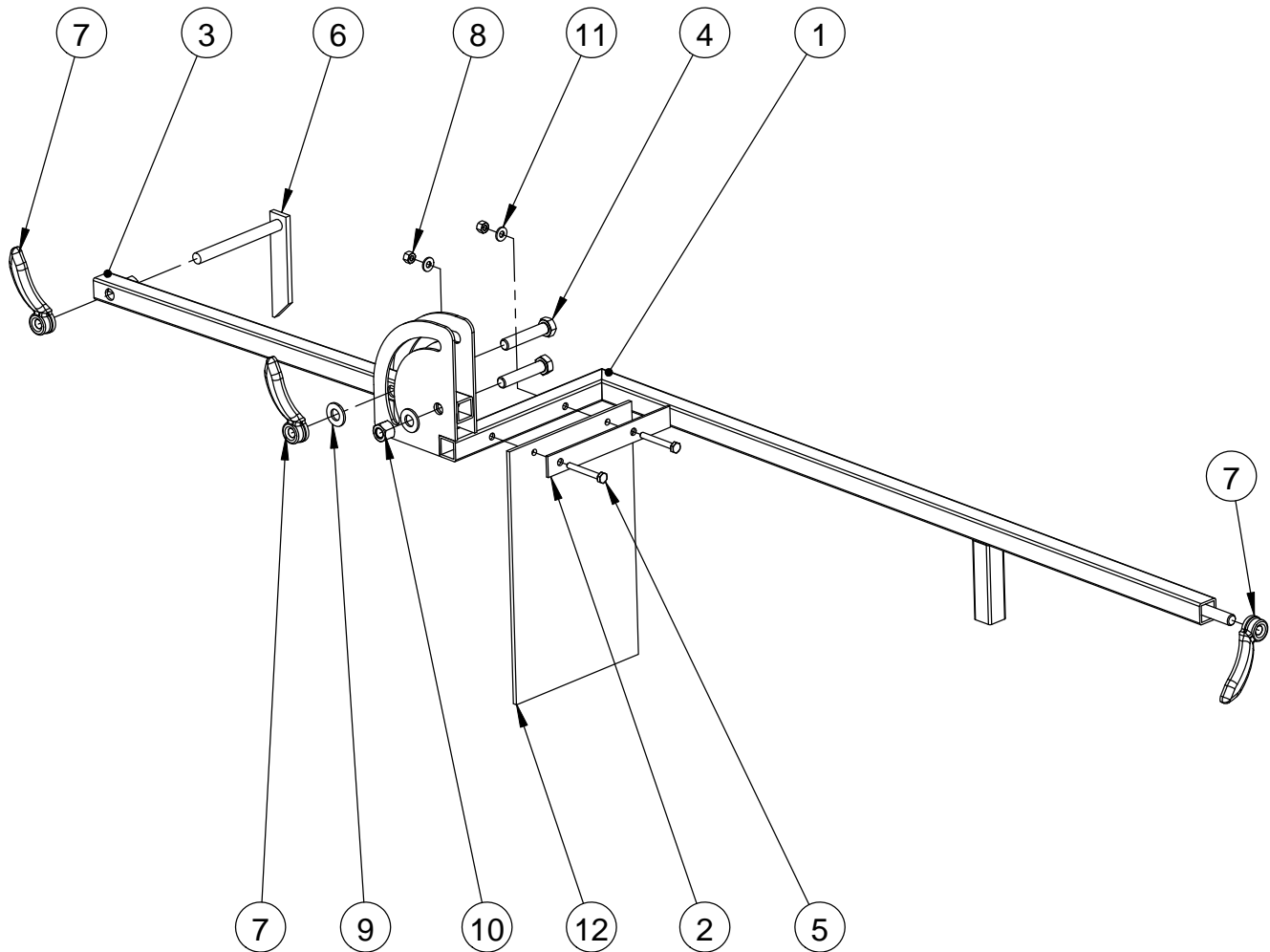
## Wheel Assembly #6046024



ITEM	PART NO.	QTY	DESCRIPTION
1	6043277	1	Axle Spindle Weldment
2	2900058	4	Flat Washer, 1/2" SAE
3	2900084	4	Lock Washer, 1/2" Split
4	2900811	4	Cap Screw, Hex Hd., 1/2-13 x 2-1/2"
5	2900026	4	Lock Nut, 1/2-13 Nylon
6	6043274	1	Hub Assembly CC7878
7	6043306	1	Wheel Assembly
8	2900975	5	Lug Nut, 1/2-20
9	2707220	1	Hex Nut, 1"-14 Slotted
10	2900971	1	1/8"X2" Cotter Pin

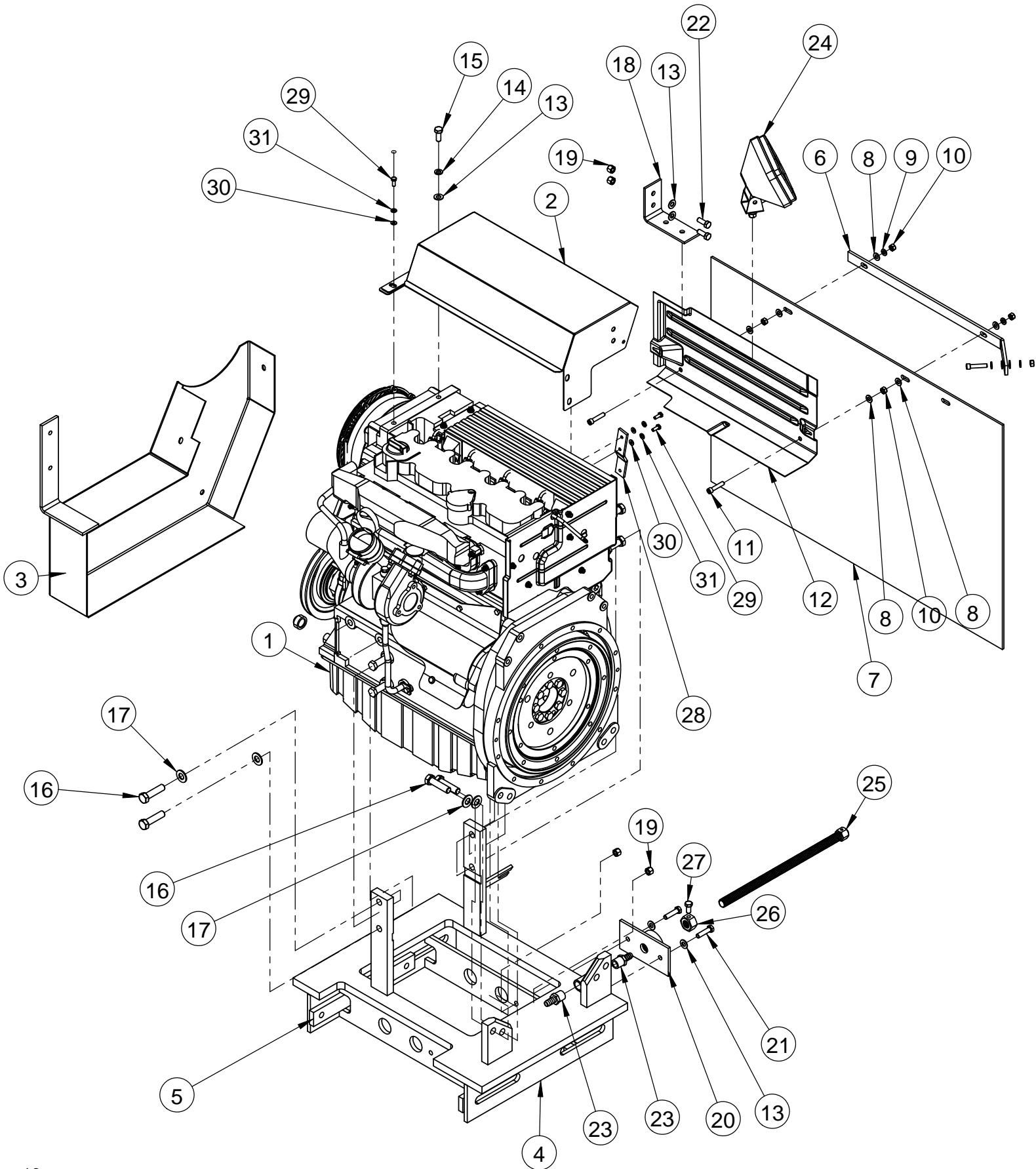


## Guide Assembly #6043240



ITEM	PART NO.	QTY.	DESCRIPTION
1	6043239	1	Guide Assembly
2	6043241	1	Slurry Flap Retainer
3	6043238	1	Indicator Arm Weldment
4	2900811	2	Cap Screw, Hex Hd., 1/2-13 x 2-1/2"
5	2900294	2	Cap Screw, Hex Hd., 1/4-20 x 2"
6	6043429	1	Rear Line Pointer
7	2501505	3	1/2" Handle Nut
8	2900010	2	Lock Nut, 1/4-20 Nylon
9	2900058	4	Flat Washer, 1/2" SAE
10	2900026	1	Lock Nut, 1/2-13 Nylon
11	2900009	2	Flat Washer, 1/4" SAE
12	6043242	1	Slurry Flap

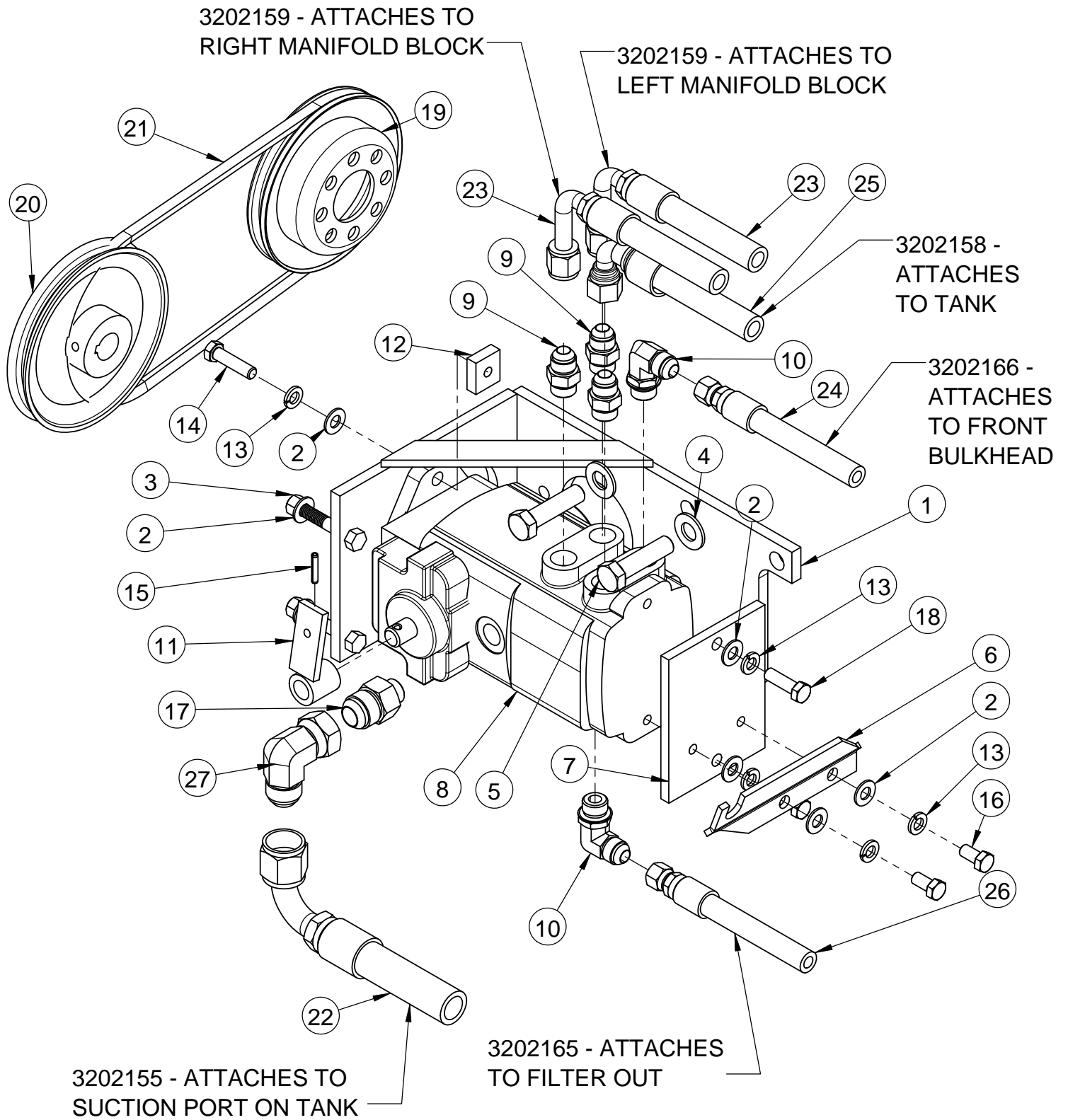
# Engine Components #6046004



### Engine Components #6046004

ITEM	PART NO.	QTY	DESCRIPTION
1	2600543	1	78HP Deutz Diesel Engine
2	6043268	1	Blower Deflector Weldment
3	6043279	1	Pump Beltguard Weldment
4	6043270	1	Engine Mount Weldment
5	6043267	2	Retaining Bar
6	6043605	1	Retaining Bar Spray Flap
7	6043490	1	Spray Flap Engine
8	2900022	10	Flat Washer, 5/16" SAE
9	2900031	6	Lock Washer, 5/16" Split
10	2900141	5	Hex Nut, 5/16-18
11	2900233	3	Cap Screw, Soc. Hd., 5/16-18 x 1-1/2"
12	6046015	1	Cover Deutz Diesel Engine
13	2900014	5	Flat Washer, 3/8" SAE
14	2900006	1	Lock Washer, 3/8" Split
15	2900333	1	Cap Screw, Hex Hd., M10 x 25mm
16	2702618	8	Cap Screw, Hex Hd., M14 x 55mm
17	2900651	8	Flat Washer, 9/16"
18	6043269	1	Light Mount Plate
19	2900018	4	Lock Nut, 3/8-16 Nylon
20	6046016	1	Adjustment Nut Weldment
21	2900029	2	Cap Screw, Hex Hd., 3/8-16 x 1-1/2"
22	2900005	2	Cap Screw, Hex Hd., 3/8-16 x 1"
23	3200020	2	Fitting, 1/2" MPT to 1/2" Hose Barb
24	2501517	1	Dual Beam Light
25	2501519	1	Belt Adjuster Rod Assembly
26	6043296	1	3/4" ACME Nut
27	2900196	1	Cap Screw, Hex Hd., 3/8-16 x 3/4"
28	6043264	1	Throttle Extension Plate
29	2900341	3	Cap Screw, Hex Hd., M6 x 16mm
30	2900016	3	Flat Washer, #10 USS
31	2900024	3	Lock Washer, 1/4" Split

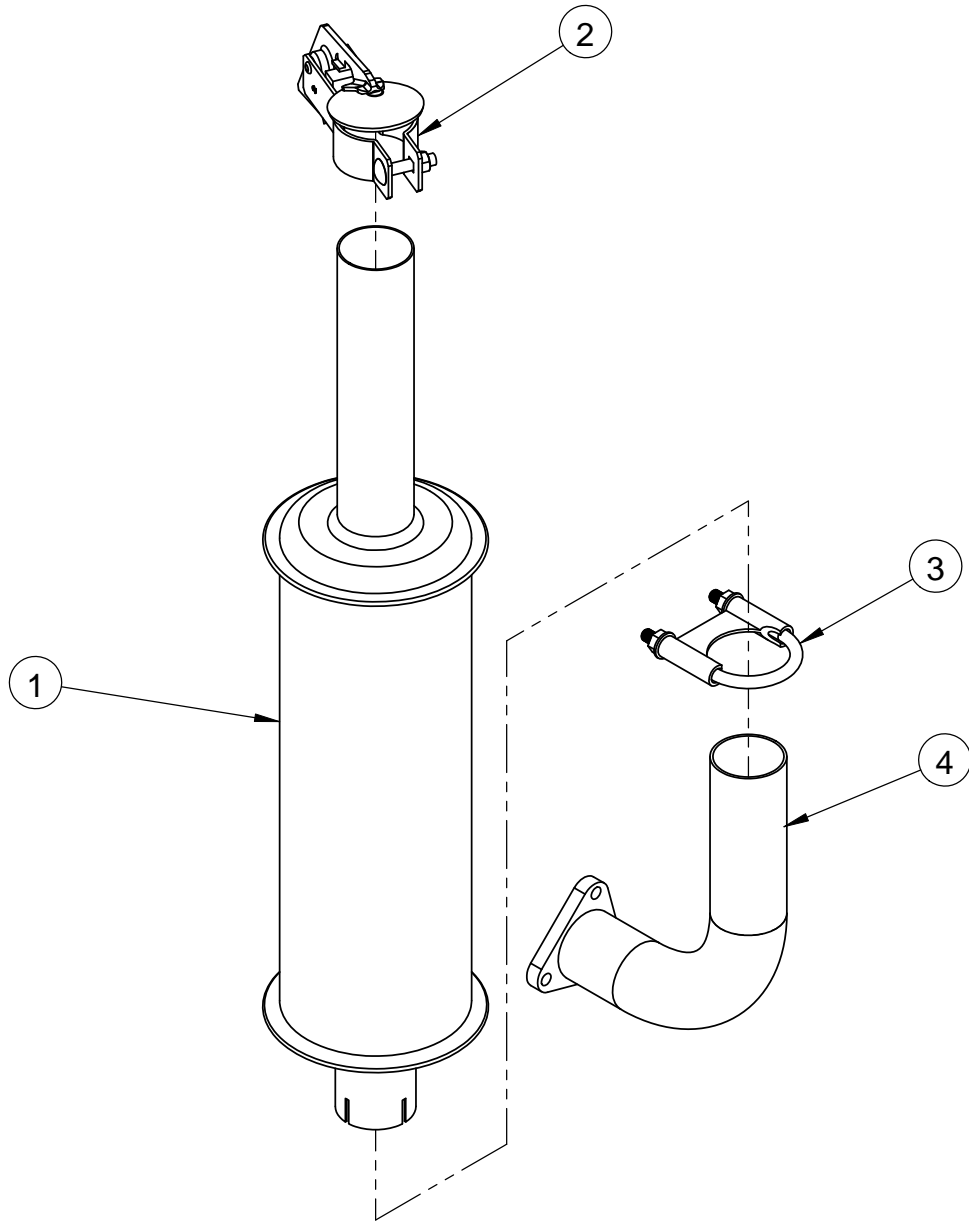
# Pump Assembly #6046025



## Pump Assembly #6046025

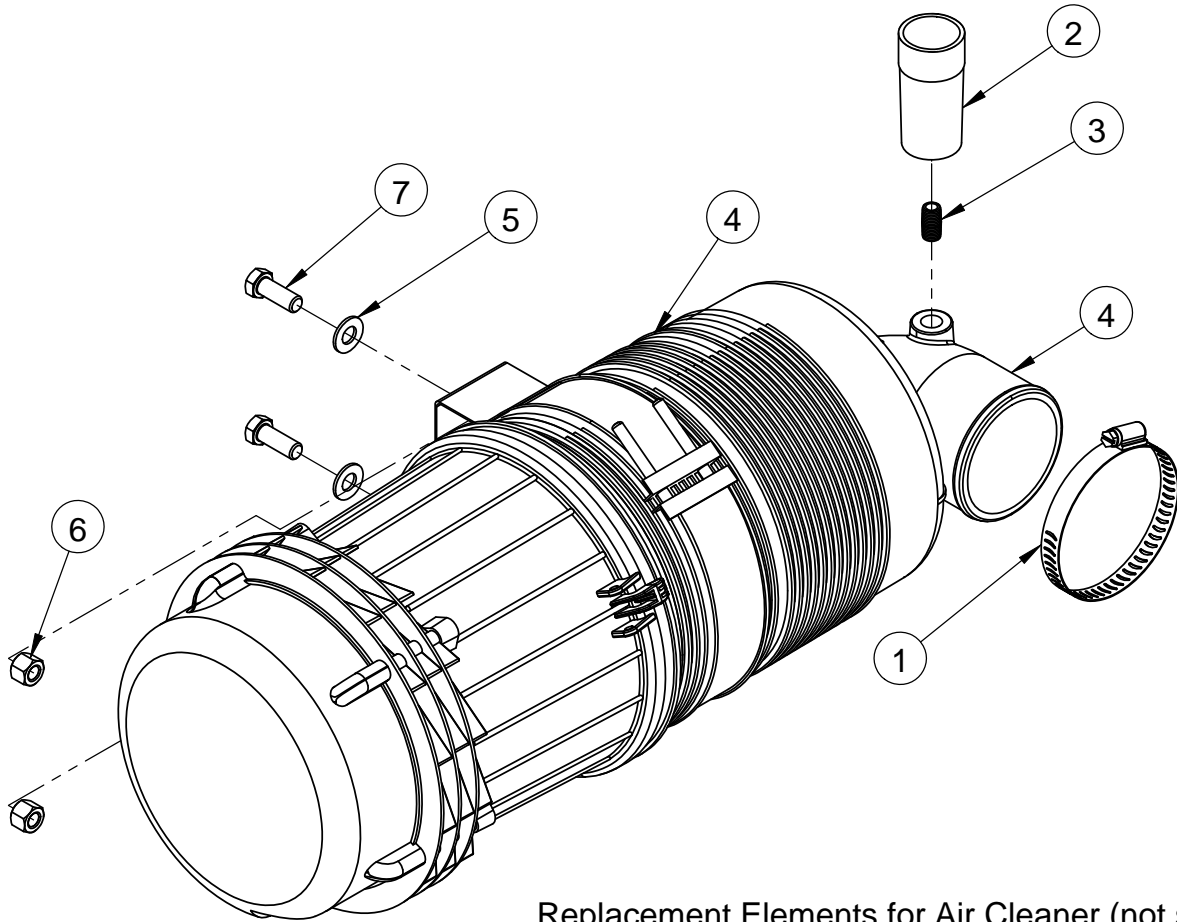
ITEM	PART NO.	QTY	DESCRIPTION
1	6043280	1	Transmission Mount Weldment
2	2900014	8	Flat Washer, 3/8" SAE
3	2900018	2	Lock Nut, 3/8-16 Nylon
4	2900651	2	Flat Washer, 9/16"
5	2702618	2	Cap Screw, Hex Hd., M14 x 55mm
6	6043283	1	Cable Bracket
7	6043503	1	Pump Cover
8	2600340	1	Hydraulic Pump CC7878 E-Z Rider
9	3200286	3	Adapter, 1/2" O-Ring to 1/2" M. JIC
10	3200285	2	Elbow, 1/2" O-Ring to 1/2" Male JIC
11	6043282	1	Pump Connection Lever
12	6043281	2	Transmission Retainer
13	2900006	6	Lock Washer, 3/8" Split
14	2900029	2	Cap Screw, Hex Hd., 3/8-16 x 1-1/2"
15	2900134	1	Roll Pin, 3/16" x 1"
16	2900196	2	Cap Screw, Hex Hd., 3/8-16 x 3/4"
17	3202215	1	1/2"M.Oring-3/4"M.JIC
18	2900013	2	Cap Screw, Hex Hd., 3/8-16 x 1-1/4"
19	2705030	1	Pulley Deutz Auxillary
20	2501551	1	Pulley, 5.75X 7/8"Bore
21	2504012	1	V-Belt AX34
22	3202155	1	Hyd Hose Suction Port of Pump to tank strainer of CC7878
23	3202159	2	Hyd Hose Hyd Pump to Hyd Manifold Block
24	3202166	1	Hyd Hose (PSI) Pump Pso Port to Front Bulkhead
25	3202158	1	Hyd Hose Case Drain of Pump to Hyd Reservoir
26	3202165	1	Hyd Hose Filter out Port to Pump Return Port
27	3200417	1	Elbow, 3/4" F. JIC to 3/4" M. JIC

## Muffler Assembly #6046026



ITEM	PART NO.	QTY	DESCRIPTION
1	2700746	1	Muffler
2	2700747	1	Rain Cap 2"
3	2700748	1	Muffler Clamp 2"
4	6043298	1	Exhaust Pipe CC7878

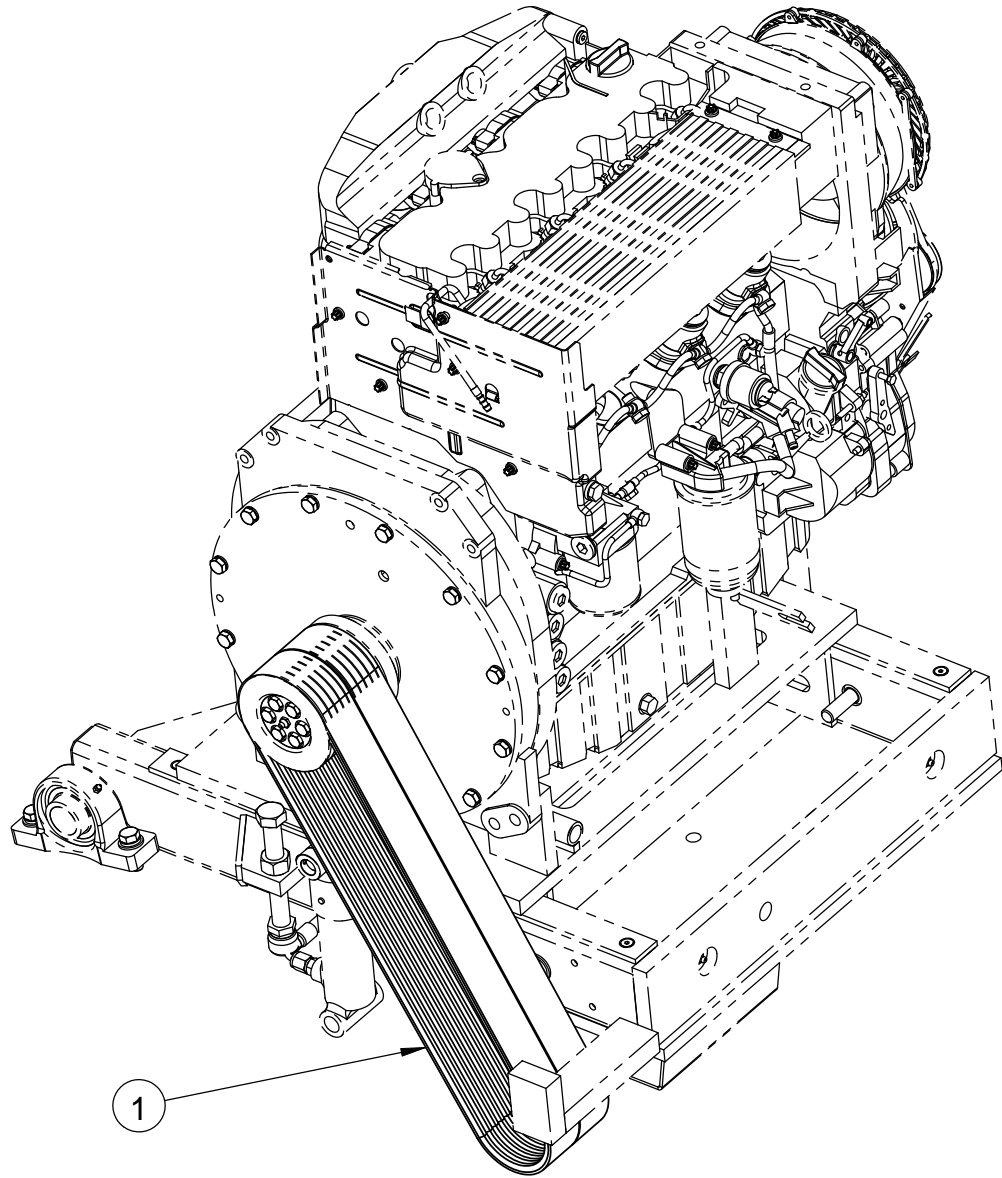
## Air Filter Assembly #6046027



Replacement Elements for Air Cleaner (not shown)  
 2504024 - Outer Primary Filter  
 2504024 - Inner Safet Filter

ITEM	PART NO.	QTY	DESCRIPTION
1	3200197	1	Hose Clamp #52
2	2500423	1	Restriction Indicator
3	3200117	1	Close Nipple, 1/8" NPT
4	2501739	1	Air Cleaner with Pre-Cleaner
5	2900014	2	Flat Washer, 3/8" SAE
6	2900018	2	Lock Nut, 3/8-16 Nylon
7	2900005	2	Cap Screw, Hex Hd., 3/8-16 x 1"

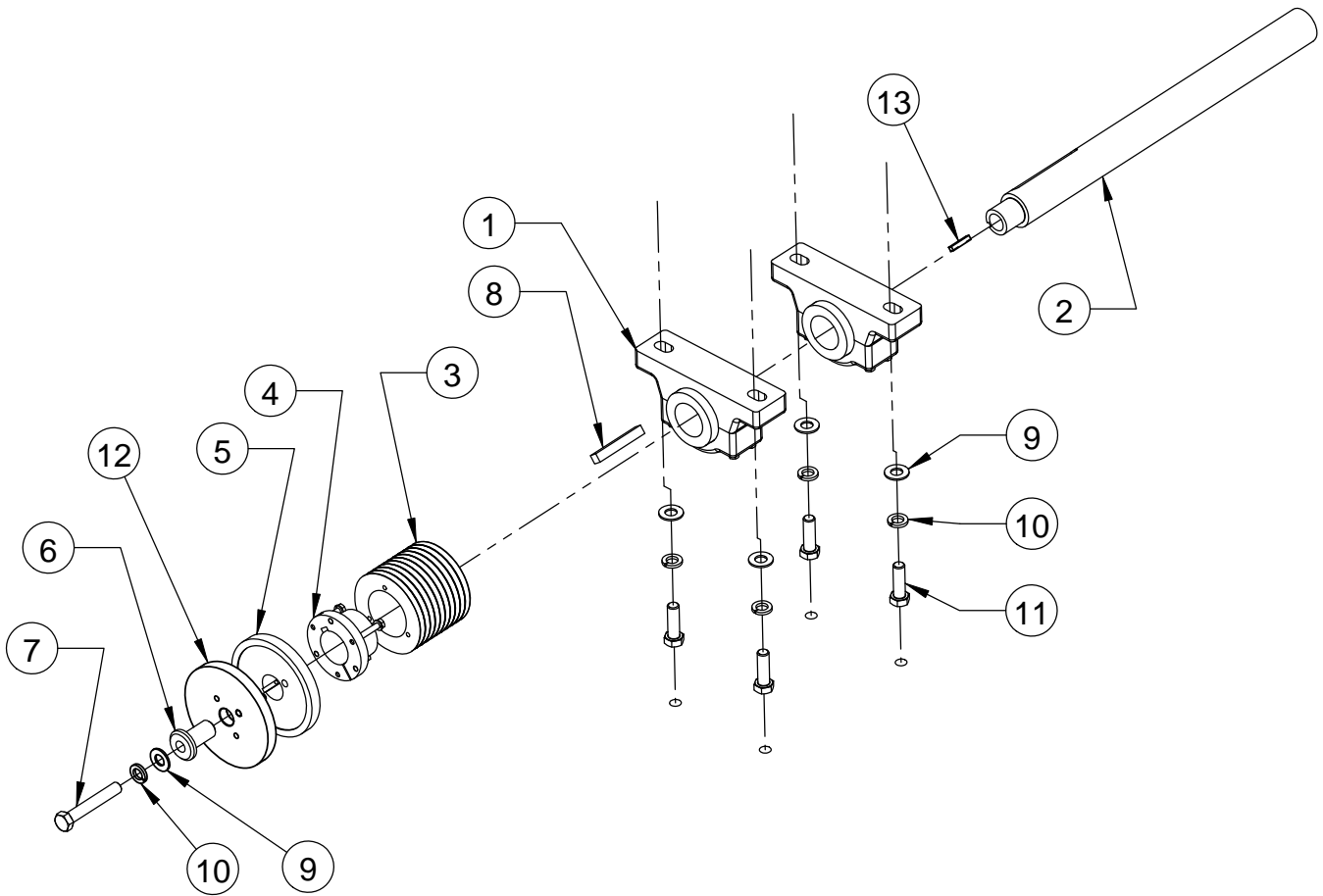
## **Belt #2502140**



ITEM	PART NO.	QTY	DESCRIPTION
1	2502041	1	Belt Set, 5/3VX530 - 5 Strand

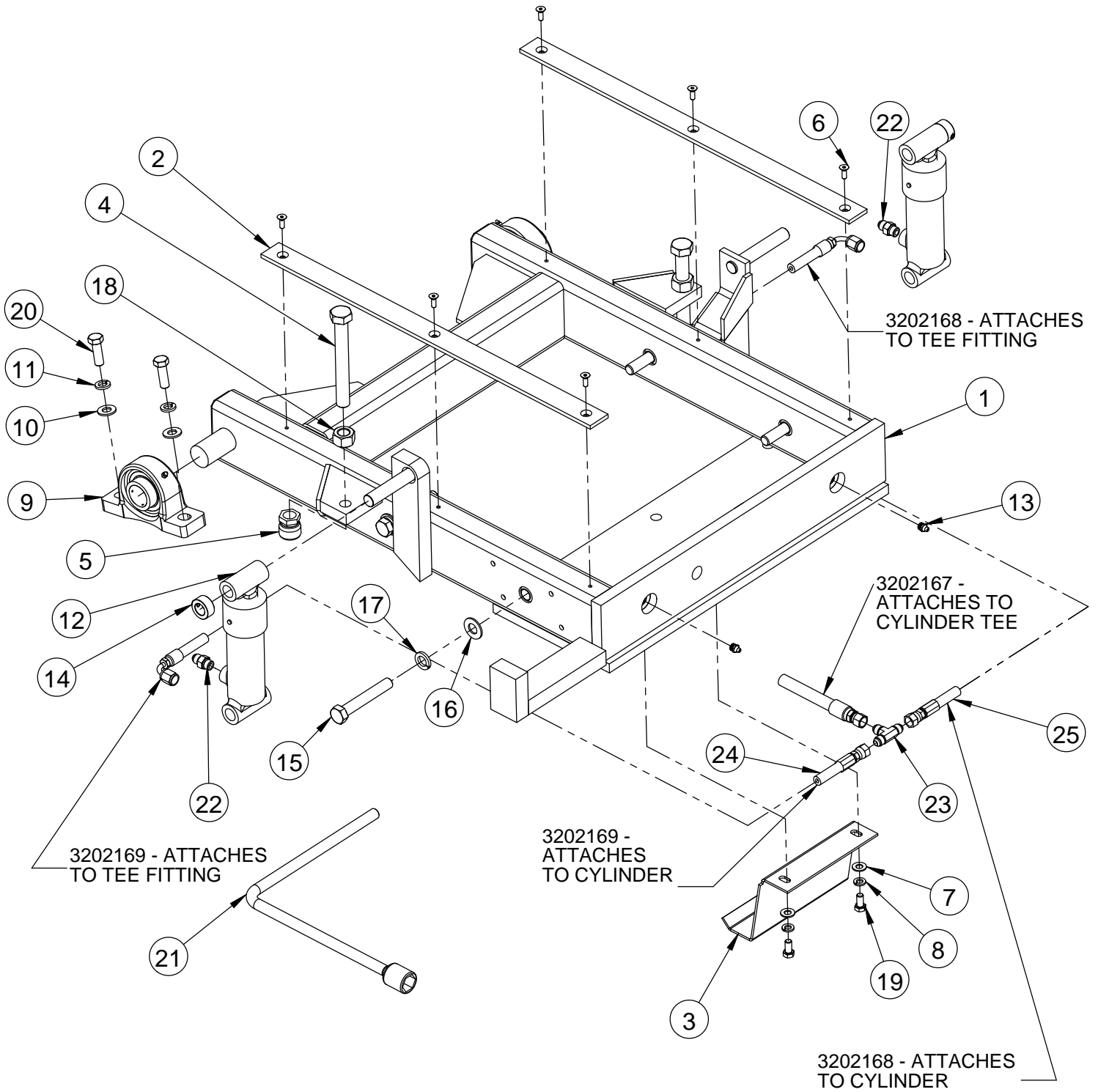


## Blade Shaft Assembly #6046018



ITEM	PART NO.	QTY.	DESCRIPTION
1	2501520	2	Bearing, 2" Pillow Block
2	6043286	1	Arbor Shaft 2"
3	2501647	1	Sheave 3V-4.75, 10 Groove QD Style
4	2500153	1	QD Bushing, SK x 2" w/Fasteners
5	6043259	1	Inside Collar
6	6040252	1	Stub Shaft
7	2900146	1	Cap Screw, Hex Hd., 5/8-11 x 4"
8	2501537	1	Key B17.1 0.5x0.5x3.5
9	2900002	5	Flat Washer, 5/8" SAE
10	2900113	5	Lock Washer, 5/8" Split
11	2900136	4	Cap Screw, Hex Hd., 5/8-11 x 2"
12	6049033	1	Outer Flange Assy CC7878
13	2501538	1	Square Key, 1/4 X 1-3/8"

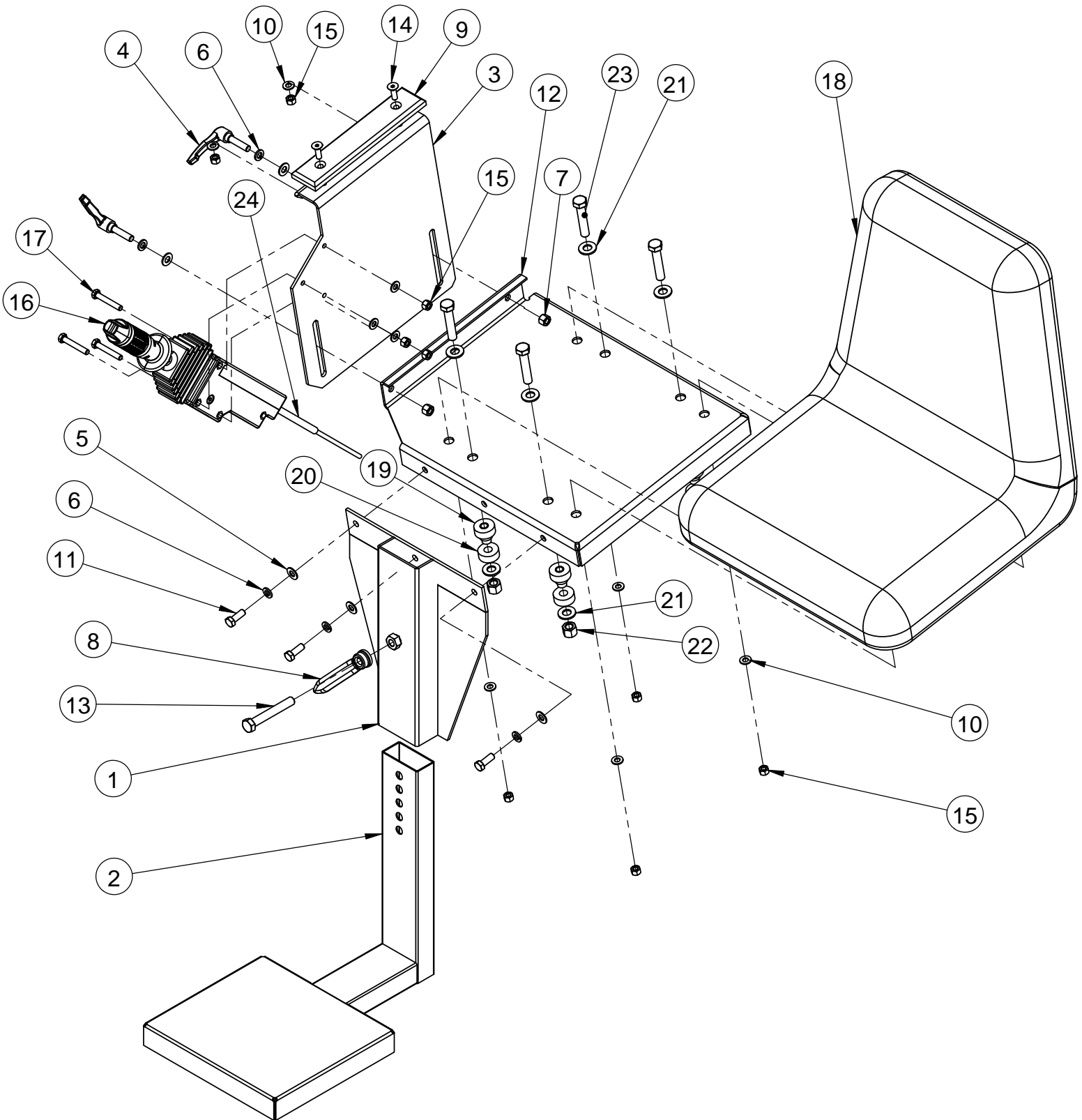
# Lift Assembly #6046007



## Lift Assembly #6046007

ITEM	PART NO.	QTY	DESCRIPTION
1	6043247	1	Frame Lift Weldment
2	6043249	2	Top Motor Slide
3	6043250	1	Arbor Shield Plate
4	2900480	2	Tap Bolt, Hex Hd., 3/4-10 x 6"
5	2900476	2	Swivel Pad Nut, 3/4-10
6	2900020	6	Cap Screw, Flat Hd., 1/4-20 x 3/4"
7	2900014	2	Flat Washer, 3/8" SAE
8	2900006	2	Lock Washer, 3/8" Split
9	2501531	2	Pillow Block Bearing, 1-3/8"
10	2900058	4	Flat Washer, 1/2" SAE
11	2900084	4	Lock Washer, 1/2" Split
12	2501541	2	Hydraulic Cylinder, 1-3/4" x 5"
13	2900062	2	Grease Fitting, 1/8" NPT
14	2400615	2	Set Collar, 3/4"
15	2900146	4	Cap Screw, Hex Hd., 5/8-11 x 4"
16	2900002	4	Flat Washer, 5/8" SAE
17	2900113	4	Lock Washer, 5/8" Split
18	2900041	2	Hex Nut, 3/4-10
19	2900196	2	Cap Screw, Hex Hd., 3/8-16 x 3/4"
20	2900499	4	Cap Screw, Hex Hd., 1/2-13 x 1-1/2"
21	6043363	1	15/16 X 90 Wrench
22	3200263	2	Adapter, 3/8" O-Ring to 3/8" M. JIC
23	3200268	1	3/8" Male JIC Union Tee
24	3202169	1	Hyd Hose Left Cylinder to "T" fitting
25	3202168	1	Hyd Hose Right Cylinder to "T" fitting

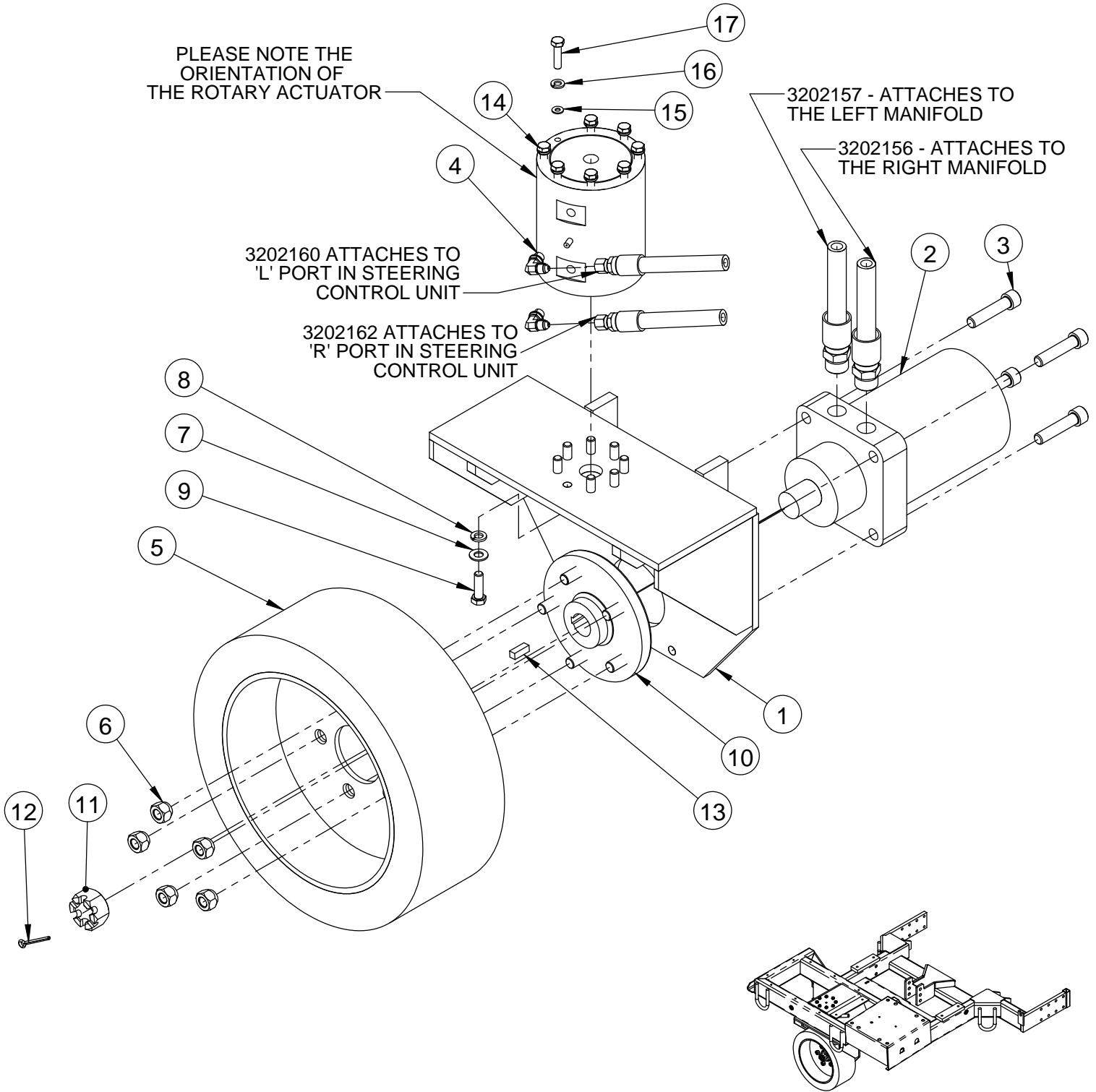
# Seat Components #6046008



### **Seat Components #6046008**

ITEM	PART NO.	QTY.	DESCRIPTION
1	6043234	1	Footrest Weldment Upper
2	6043233	1	Footrest Weldment Lower
3	6043236	1	Arm Rest Plate
4	2500577	2	Lever, Adjustable 3/8-16"
5	2900014	5	Flat Washer, 3/8" SAE
6	2900006	5	Lock Washer, 3/8" Split
7	2900018	2	Lock Nut, 3/8-16 Nylon
8	2501505	1	1/2" Handle Nut
9	2501539	1	Arm Rest Top
10	2900022	9	Flat Washer, 5/16" SAE
11	2900005	3	Cap Screw, Hex Hd., 3/8-16 x 1"
12	6043235	1	Seat Mount Weldment
13	2900542	1	Tap Bolt, Hex Hd., 1/2-13 x 3-1/2"
14	2900174	2	Cap Screw, Flat Hd., 5/16-18 x 1"
15	2900039	9	Lock Nut, 5/16-18 Nylon
16	2501501	1	Speed Control Stick
17	2900494	3	Cap Screw, Hex Hd., 5/16-18 x 2"
18	2501547	1	Seat
19	2505500	4	Rubber Isolator
20	2505501	4	Rubber Bushing
21	2900058	8	Flat Washer, 1/2" SAE
22	2900026	4	Lock Nut, 1/2-13 Nylon
23	2900811	4	Cap Screw, Hex Hd., 1/2-13 x 2-1/2"
24	2501506	1	Speed Control Cable

# Rear Drive Components #6046009

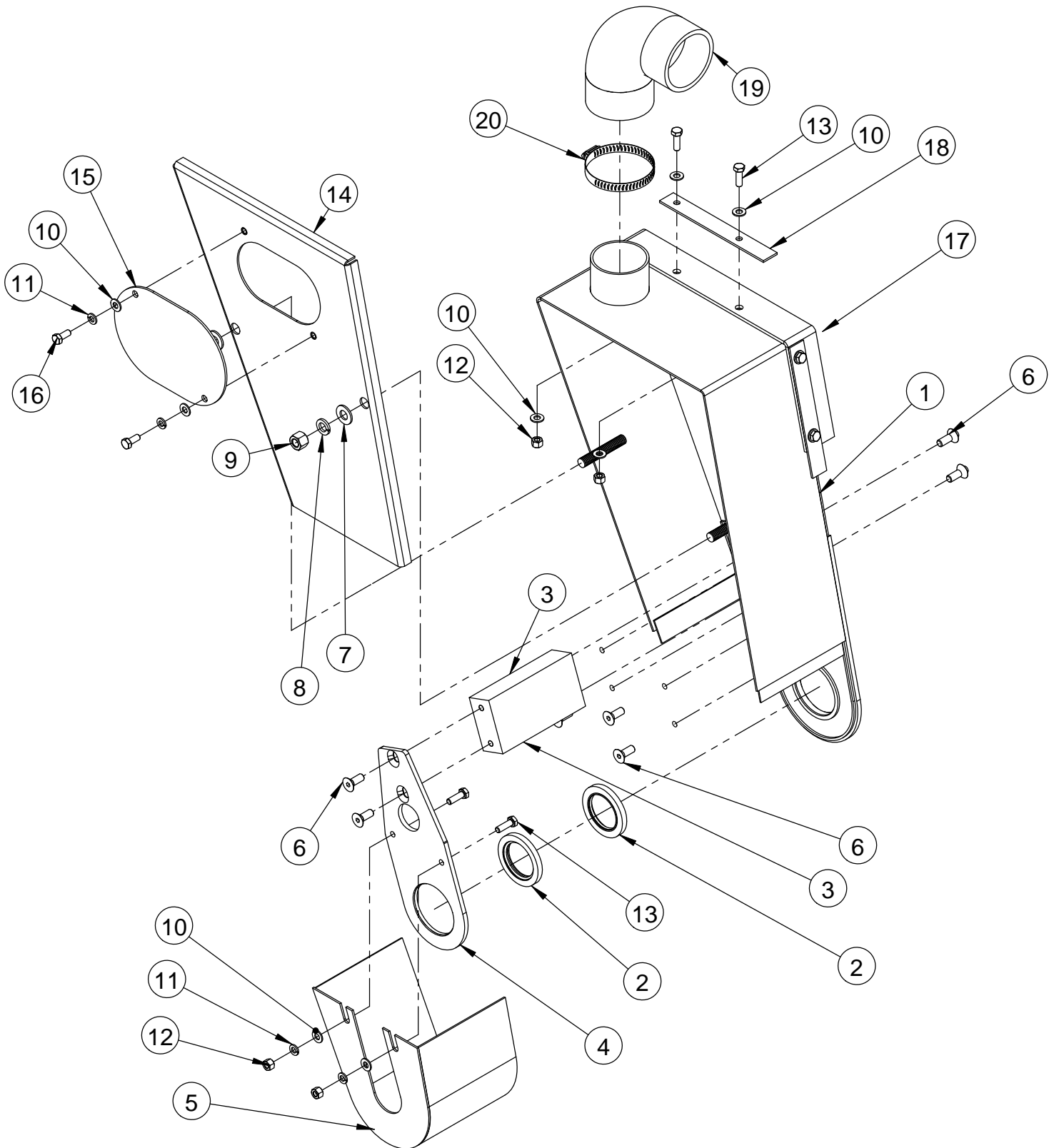


NOTE ORIENTATION OF ASSEMBLY IN FRAME

### Rear Drive Components #6046009

ITEM	PART NO.	QTY	DESCRIPTION
1	6043237	1	Wheel Bracket
2	2600325	1	Wheel Motor Eaton 7.7 CI
3	2900575	4	Cap Screw, Soc. Hd., 1/2-13 x 2-1/4"
4	3200214	2	1/4"O-ring TO 1/4"M.JIC
5	6043306	1	Wheel Assembly
6	2900975	5	Lug Nut, 1/2-20
7	2900014	8	Flat Washer, 3/8" SAE
8	2900006	8	Lock Washer, 3/8" Split
9	2900013	8	Cap Screw, Hex Hd., 3/8-16 x 1-1/4"
10	2501512	1	Hydrogear Wheel Hub
11	2701903	1	Hex Nut, 1"-20 Slotted
12	2900971	1	1/8"X2" Cotter Pin
13	2501536	1	5/16" X 7/8" SQ Key
14	2501640	1	Helac L10 Rotary Actuator
15	2900016	8	Flat Washer, #10 USS
16	2900031	8	Lock Washer, 5/16" Split
17	2900217	8	Cap Screw, Hex Hd., 5/16-18 x 1-1/4"

# Belt Guard and Blade Guard #6046011

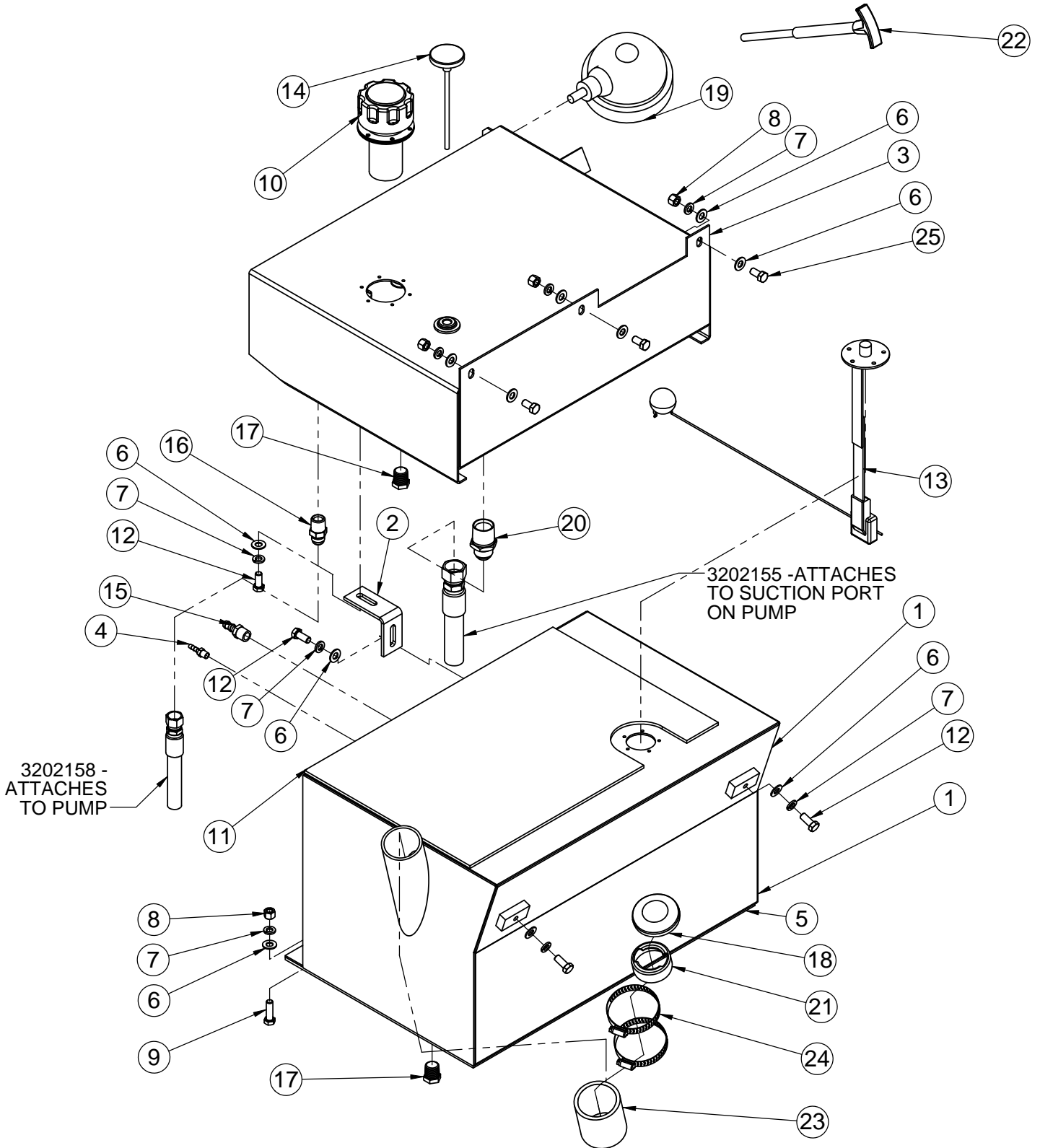




## Belt Guard and Blade Guard #6046011

ITEM	PART NO.	QTY.	DESCRIPTION
1	6043253	1	Belt Guard Weldment
2	2503702	2	Oil Seal
3	6043366	1	Spacer Bar
4	6043367	1	Outer Seal Plate
5	6043254	1	Lower Beltguard
6	2900235	8	Cap Screw, Flat Hd., 3/8-16 x 1"
7	2900058	2	Flat Washer, 1/2" SAE
8	2900084	2	Lock Washer, 1/2" Split
9	2900026	2	Lock Nut, 1/2-13 Nylon
10	2900022	16	Flat Washer, 5/16" SAE
11	2900031	4	Lock Washer, 5/16" Split
12	2900039	8	Lock Nut, 5/16-18 Nylon
13	2900138	8	Cap Screw, Hex Hd., 5/16-18 x 1"
14	6046019	1	Beltguard Cover Assembly
15	6045116	1	PTO Cover Plate
16	2900019	2	Cap Screw, Hex Hd., 5/16-18 x 3/4"
17	6045181	1	Belt Guard Flap
18	6043241	3	Slurry Flap Retainer
19	2500669	1	Hose Elbow, 3" I.D.
20	3200197	1	Hose Clamp #52

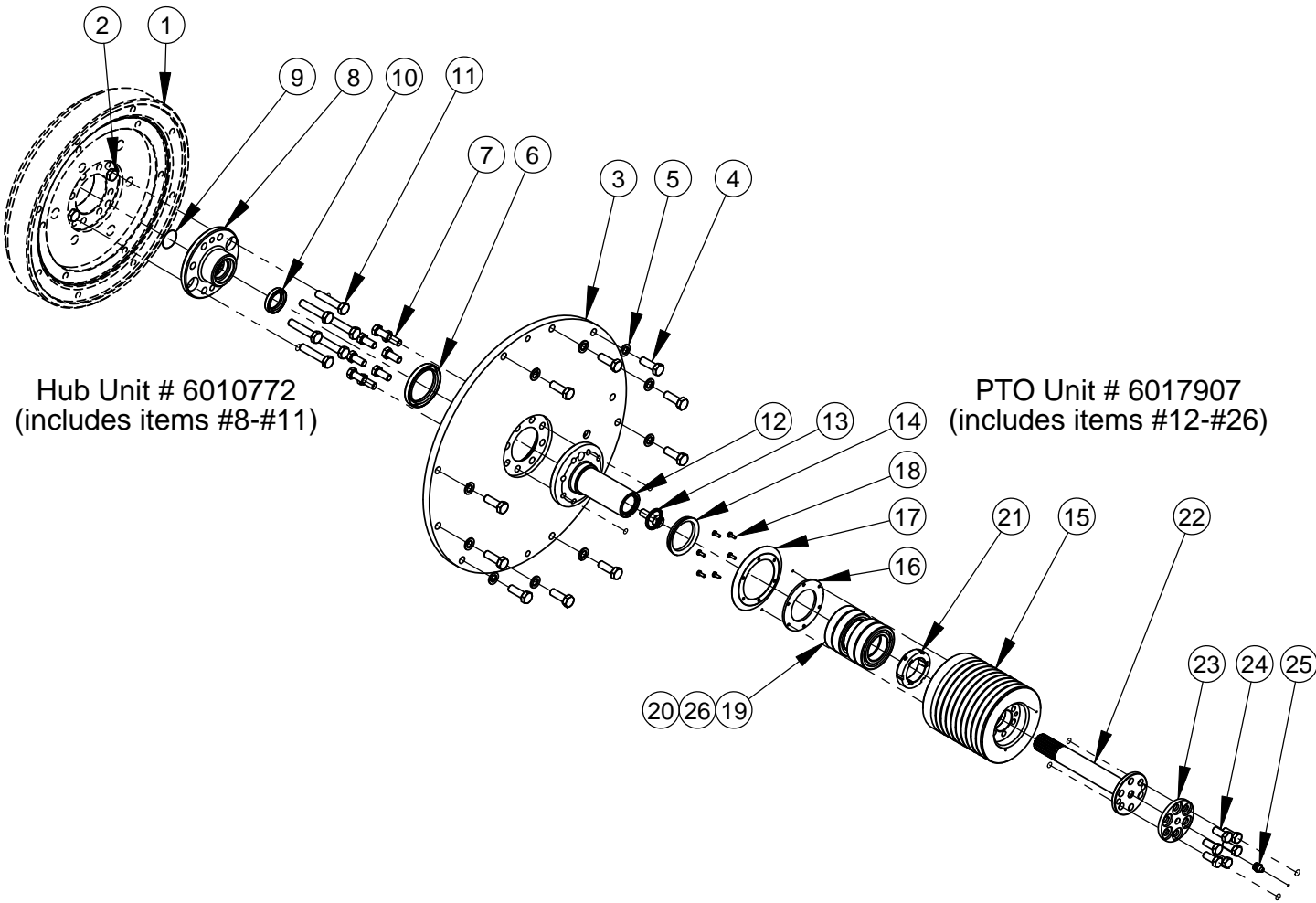
## Fuel and Hydraulic Components #6046012



## Fuel and Hydraulic Components #6046012

ITEM	PART NO.	QTY	DESCRIPTION
1	6043257	1	Fuel Tank
2	6043256	1	Tank Connector Plate
3	6043258	1	Hydraulic Tank
4	3200018	1	Fitting, 1/8" M. Pipe to 1/4" Hose Barb
5	6043494	1	Fuel Tank Pad CC7878
6	2900014	14	Flat Washer, 3/8" SAE
7	2900006	9	Lock Washer, 3/8" Split
8	2900018	5	Lock Nut, 3/8-16 Nylon
9	2900013	2	Cap Screw, Hex Hd., 3/8-16 x 1-1/4"
10	2401305	1	Filler/Breather Cap (Top Mount)
11	6043495	1	Reservoir Pad CC7878
12	2900621	4	Cap Screw, Hex Hd., 3/8-16 x 7/8"
13	2501546	1	Sending Unit, Fuel
14	2800459	1	2" Thermometer
15	3200518	1	3/8"X3/8" Hose Barb
16	3200283	1	Adapter, 1/2" M. Pipe x 1/2" M. JIC
17	3200160	2	Plug, 1/2-14 NPT
18	2500199	1	Fuel Tank Cap (Steel)
19	2501549	1	Light 12 Volt, Spot
20	3200751	1	1"MPT-3/4"MJIC Straight
21	2503932	1	Filler Neck
22	2501510	1	Throttle Cable
23	6046021	1	Fuel Inlet
24	3200096	2	Hose Clamp #40
25	2900196	3	Cap Screw, Hex Hd., 3/8-16 x 3/4"

**PTO Assembly #6017906**  
**(includes items #3-#26)**



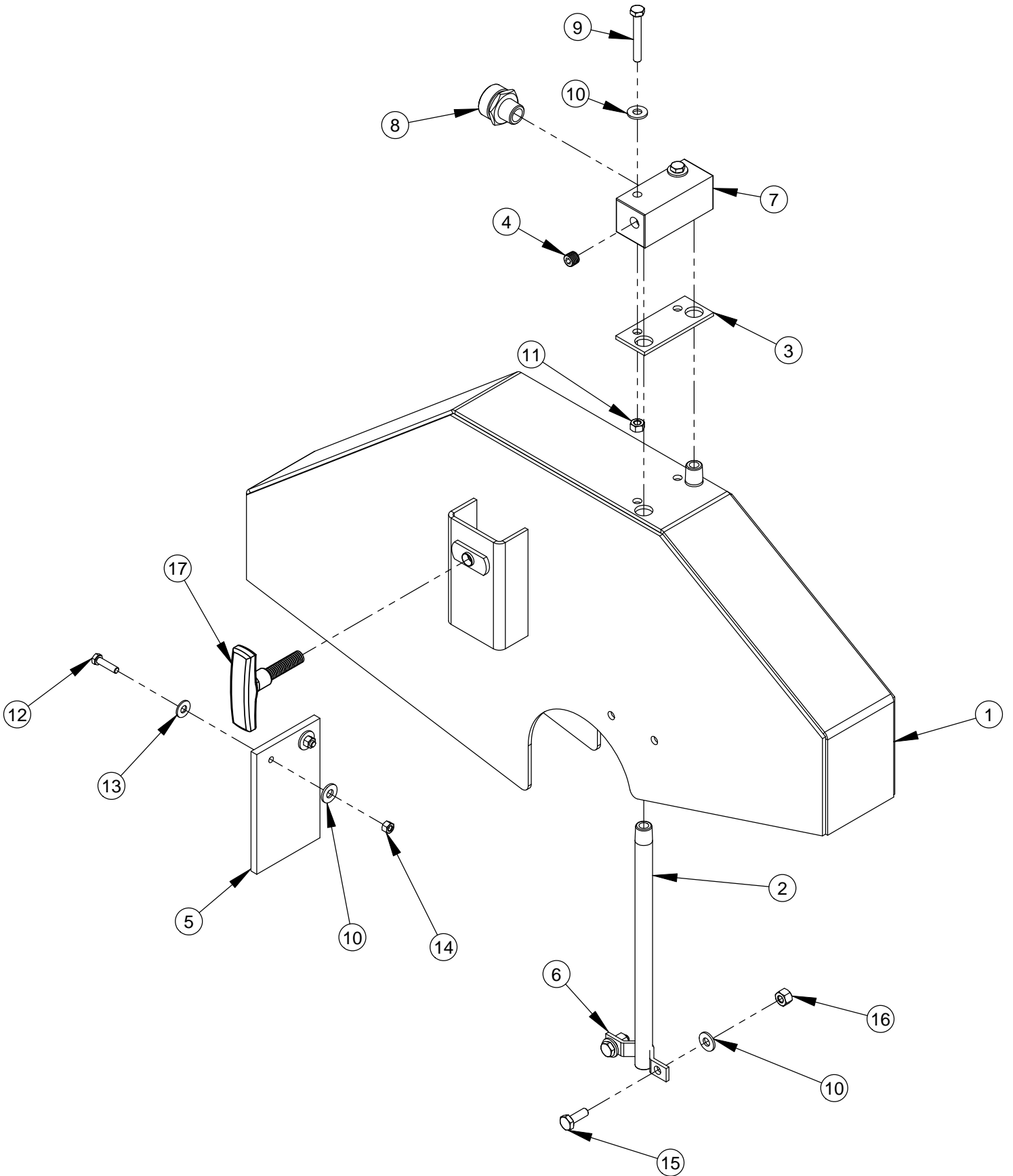
Hub Unit # 6010772  
(includes items #8-#11)

PTO Unit # 6017907  
(includes items #12-#26)

**PTO Assembly #6017906**  
**(includes items #3-#26)**

ITEM NO.	PART NUMBER	QTY.	DESCRIPTION
1	2701276	1	Flywheel, Deutz Engine
2	2702756	2	Cap Screw, Hex Hd., M10x1.0 x 40mm
3	6010352	1	Inner Ring Support
4	2900223	11	Cap Screw, Hex Hd., M10 x 30mm
5	2900321	11	Lock Washer, M10 Split
6	2501983	1	Seal, 2" x 2-5/8" x 5/16"
7	2900621	8	Cap Screw, Hex Hd., 3/8-16 x 7/8"
8	2501721	1	Coupling Hub
9	2501670	1	Hubbard Plug, 1-1/8"
10	2501714	1	Seal, 1" x 1-1/2" x 1/4"
11	2900633	6	Cap Screw, Hex Hd., M10x1.0 x 50mm
12	2501717	1	Shaft Support Sleeve
13	2501984	1	Seal, 1" x 1-1/4" x 1/8"
14	2500751	1	Seal, 1-3/4" V-Ring
15	2501789	1	Sheave, 4.75 x 10 Groove
16	2501719	1	Bearing Retainer Plate
17	2501998	1	Grease Slinger Disc
18	2900624	6	Machine Screw, Hex Hd., #6-32 x 3/8"
19	2501986	4	Ball Bearing, 40mm x 68mm x 15mm
20	2501747	4	Shim, 40mm x 50mm x 0.1mm
21	2900654	1	Bearing Lock Nut, 1-9/16"-18
22	2501720	1	Splined Drive Shaft
23	2501985	1	Grease Disc
24	2900954	6	Cap Screw, Hex Hd., 3/8-24 x 7/8"
25	2900062	1	Grease Fitting, 1/8" NPT
26	6046020	1	PTO Bearing Spacer

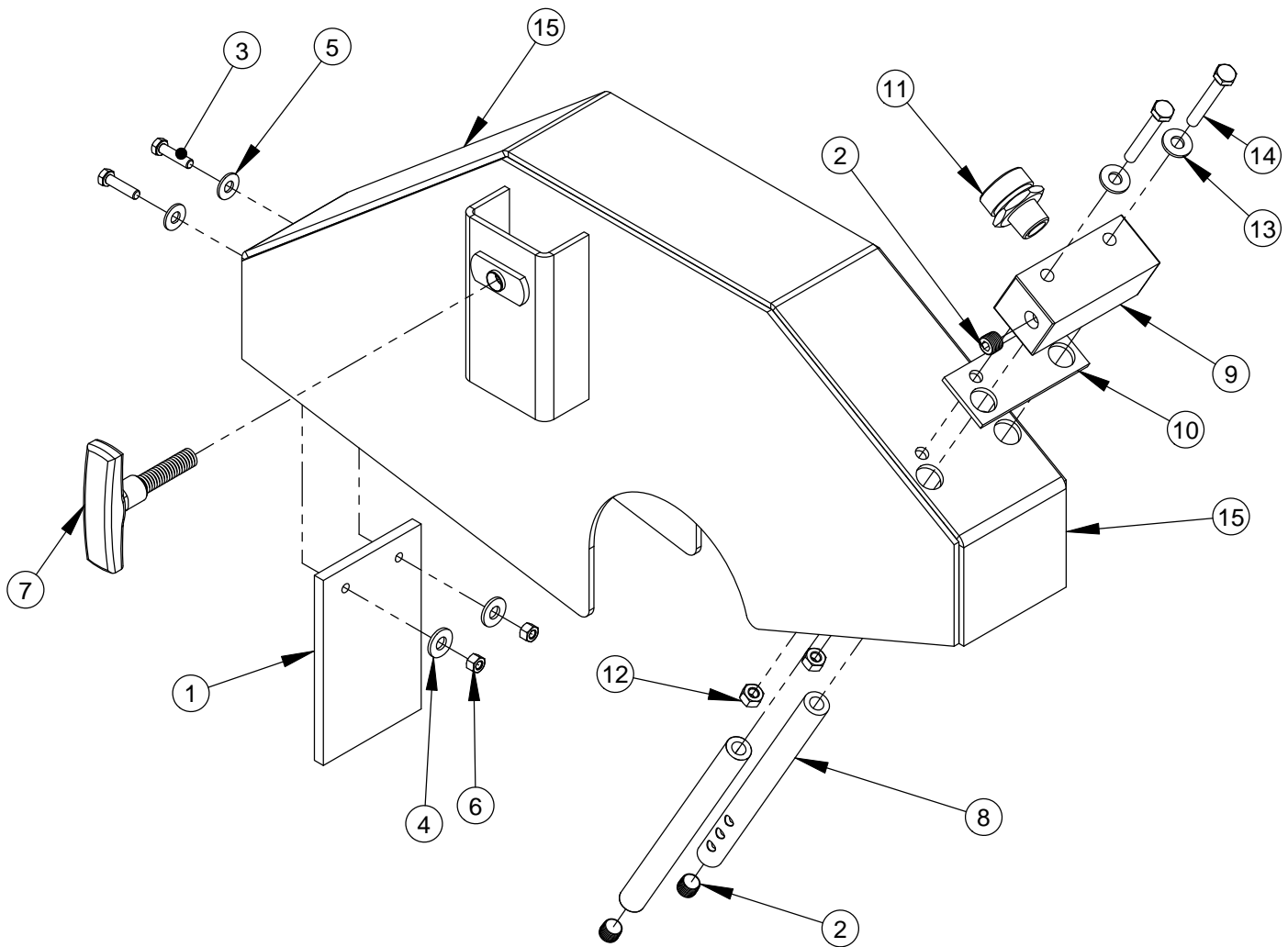
# 20" Blade Guard Assembly #6043368



## **20" Blade Guard Assembly #6043368**

ITEM	PART NO.	QTY.	DESCRIPTION
1	6047214	1	20" Blade Guard Weldment
2	6010085	2	Water Tube for 20" Guard
3	2500829	1	Water Manifold Gasket
4	3200001	3	Plug, 1/8" NPT
5	6048039	1	Splash Flap
6	6048155	2	Water Tube Clamp
7	6048123	1	Water Manifold
8	3200002	1	Fitting, 3/4" M. Pipe to 3/4" M. Garden
9	2900244	2	Cap Screw, Hex Hd., M6 x 45mm
10	2900009	8	Flat Washer, 1/4" SAE
11	2900302	2	Lock Nut, M6 Nylon
12	2900309	2	Cap Screw, Hex Hd., M5 x 20mm
13	2900016	2	Flat Washer, #10 USS
14	2900301	2	Lock Nut, M5 Nylon
15	2900144	4	Cap Screw, Hex Hd., 1/4-20 x 3/4"
16	2900010	4	Lock Nut, 1/4-20 Nylon
17	2400199	1	Locking Knob 3/8 Stud

# 14" Blade Guard Assembly #6046030

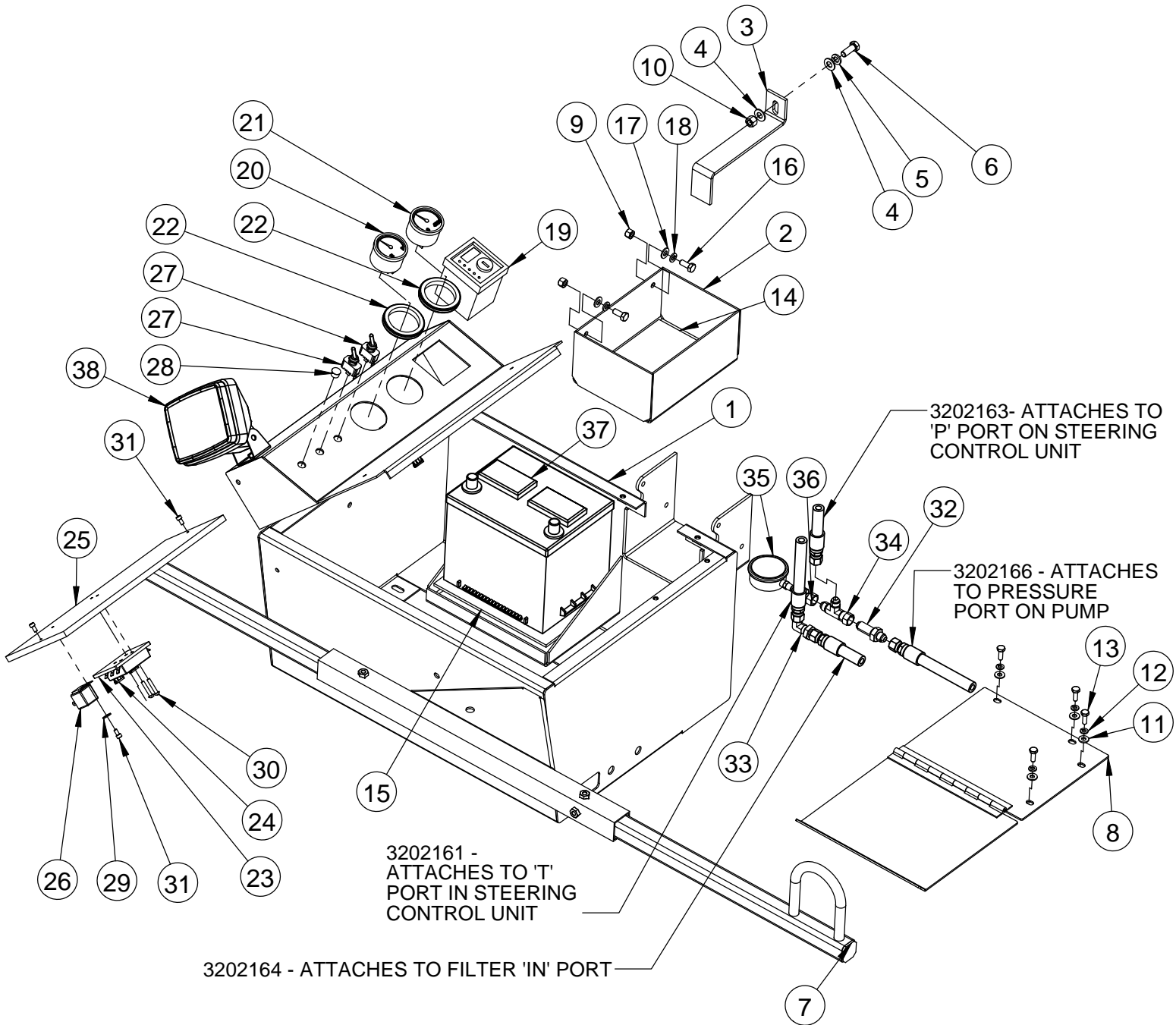




## **14" Blade Guard Assembly #6046030**

ITEM	PART NO.	QTY.	DESCRIPTION
1	6048039	1	Splash Flap
2	3200001	3	Plug, 1/8" NPT
3	2900309	2	Cap Screw, Hex Hd., M5 x 20mm
4	2900009	2	Flat Washer, 1/4" SAE
5	2900016	2	Flat Washer, #10 USS
6	2900301	2	Lock Nut, M5 Nylon
7	2400199	1	Locking Knob 3/8 Stud
8	6043289	2	14" Spray Tubes
9	6048123	1	Water Manifold
10	2500829	1	Water Manifold Gasket
11	3200002	1	Fitting, 3/4" M. Pipe to 3/4" M. Garden
12	2900302	2	Lock Nut, M6 Nylon
13	2900009	2	Flat Washer, 1/4" SAE
14	2900244	2	Cap Screw, Hex Hd., M6 x 45mm
15	6043288	1	14" Blade Guard Weldment

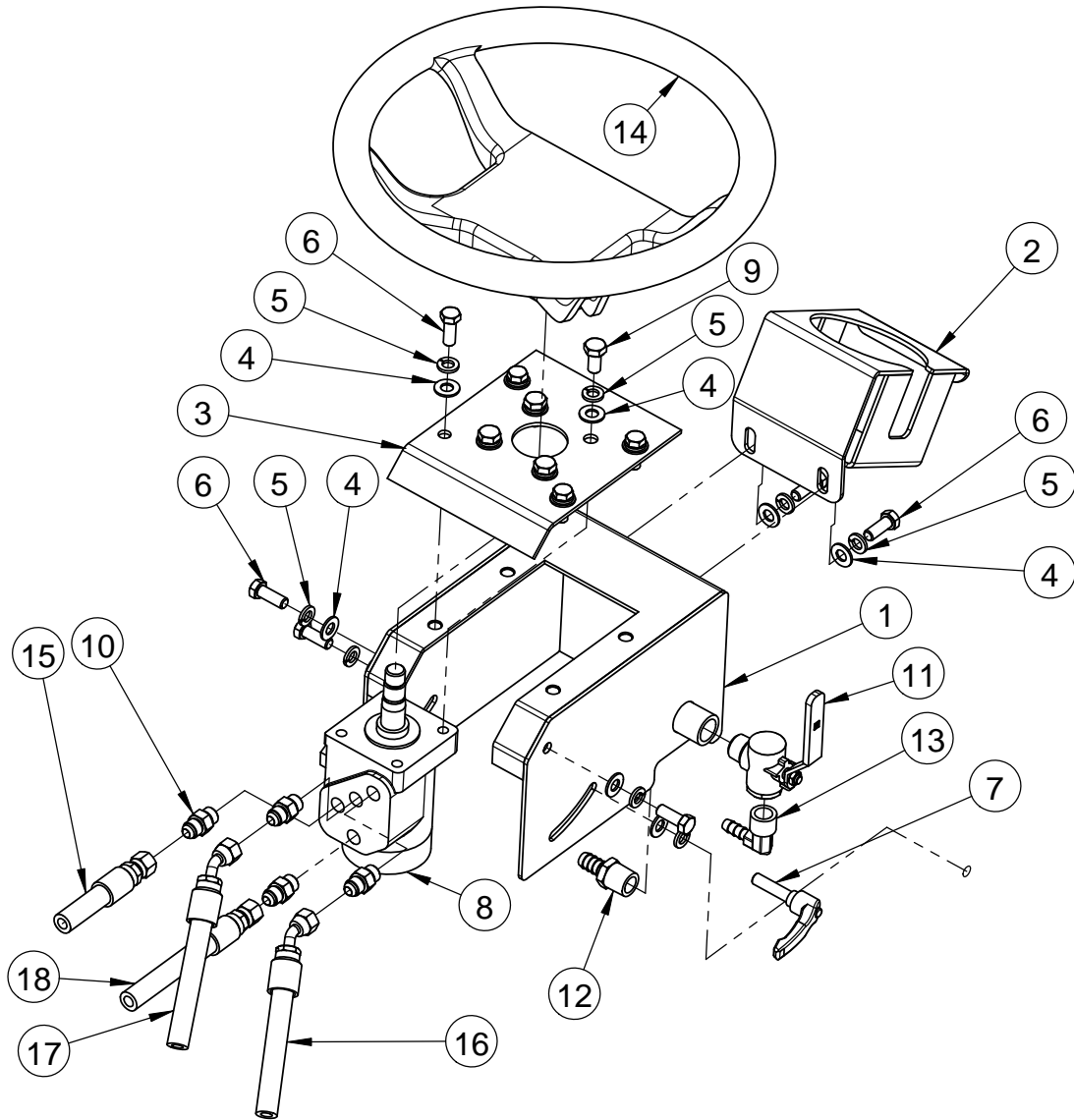
# Console Components #6046005



### Console Components #6046005

ITEM	PART NO.	QTY	DESCRIPTION
1	6043260	1	Console Weldment
2	6043262	1	Tool Box
3	6043261	1	Battery Hold Down
4	2900014	2	Flat Washer, 3/8" SAE
5	2900006	1	Lock Washer, 3/8" Split
6	2900005	1	Cap Screw, Hex Hd., 3/8-16 x 1"
7	6043263	1	Hose Support Tube Weldment
8	6043606	1	Access Panel Weldment
9	2900039	2	Lock Nut, 5/16-18 Nylon
10	2900018	1	Lock Nut, 3/8-16 Nylon
11	2900009	4	Flat Washer, 1/4" SAE
12	2900024	4	Lock Washer, 1/4" Split
13	2900144	4	Cap Screw, Hex Hd., 1/4-20 x 3/4"
14	6043496	1	Tool Box Pad CC7878
15	6043493	1	Battery Pad CC7878
16	2900019	2	Cap Screw, Hex Hd., 5/16-18 x 3/4"
17	2900022	2	Flat Washer, 5/16" SAE
18	2900031	2	Lock Washer, 5/16" Split
19	2702795	1	Ignition Switch Micro
20	2800458	1	Fuel Gauge
21	2800457	1	Tachometer
22	2504452	2	Grommett 2"
23	2800388	1	Fuse Panel, 6 Circuit
24	2800389	3	Fuse, 10 Amp Red ATO/ATC
25	6046017	1	Electrical Panel
26	2800456	1	Relay
27	2800470	2	Toggle Switch
28	2500204	1	Plug, 1/2" Hole
29	2900016	1	Flat Washer, #10 USS
30	2900967	2	Machine Screw, Rd. Hd., #10-24 x 1"
31	2900117	3	Cap Screw, Soc. Hd., #10-24 x 3/8"
32	3202211	1	3/8"M.JIC Bulkhead
33	3201464	1	Fitting, 3/8" M. JIC Bulkhead Elbow
34	3202212	1	Swivel Nut Run Tee -6 JIC
35	3201267	1	Pressure Gage, 2000 PSI
36	3202213	1	1/4F.NPT-3/8F.JIC Adaptor
37	2800561	1	Battery, 12 Volt Group Size 26
38	2501517	1	Dual Beam Light

# Steering Control Unit Assembly #6046029

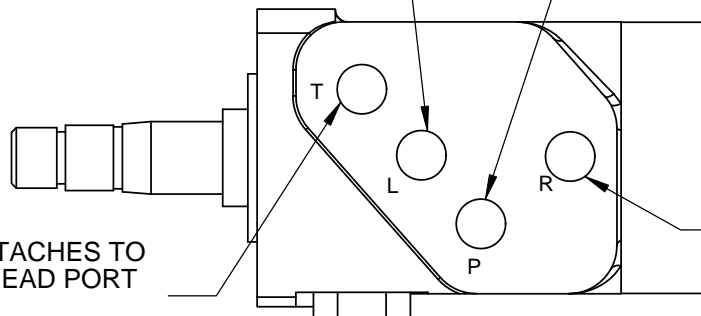


3202160 - ATTACHES TO THE BOTTOM PORT OF THE ROTARY ACTUATOR

3202163 - ATTACHES TO FRONT BULKHEAD PORT

3202161 - ATTACHES TO REAR BULKHEAD PORT

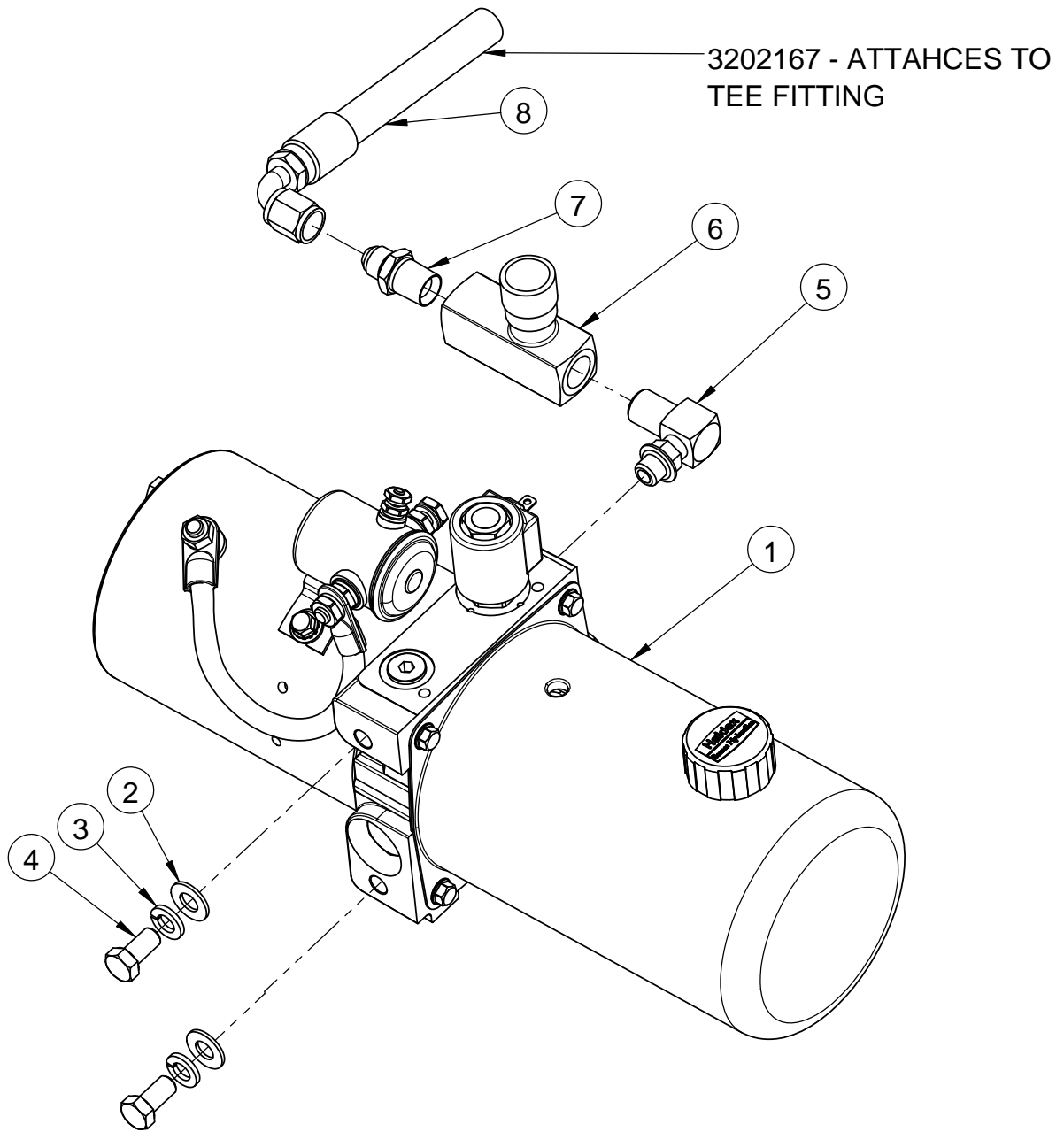
3202162 - ATTACHES TO THE TOP PORT OF THE ROTARY ACTUATOR



**Steering Control Unit Assembly #6046029**

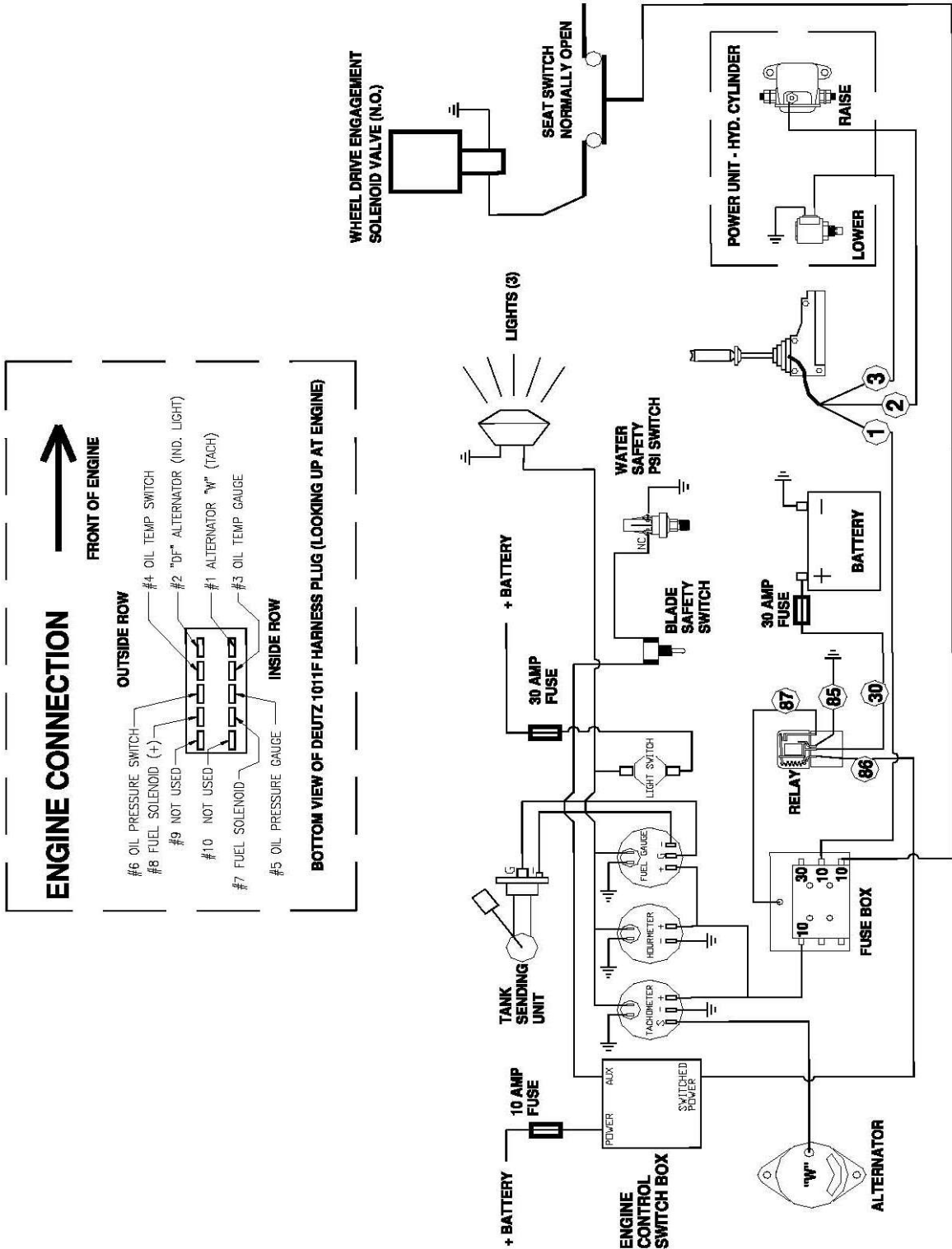
ITEM	PART NO.	QTY	DESCRIPTION
1	6043245	1	Steering Mount Weldment
2	6043244	1	Cup Holder Weldment
3	6043246	1	Steering Mount Plate
4	2900014	14	Flat Washer, 3/8" SAE
5	2900006	14	Lock Washer, 3/8" Split
6	2900005	9	Cap Screw, Hex Hd., 3/8-16 x 1"
7	2500577	1	Lever, Adjustable 3/8-16"
8	2600334	1	Steer Control Unit
9	2900314	4	Cap Screw, Hex Hd., M10 x 20mm
10	3200263	4	Adapter, 3/8" O-Ring to 3/8" M. JIC
11	3200521	1	Ball Valve-.50- 90 Degree
12	3200020	1	Fitting, 1/2" MPT to 1/2" Hose Barb
13	3200516	1	1/2" X 3/8" Hose Barb
14	2501170	1	Steering Wheel 14" DIA
15	3202163	1	Hyd Hose Orbital "P" Port to Front Bulkhead
16	3202161	1	Hyd Hose Orbital "T" Port to Rear Bulkhead
17	3202160	1	Hyd Hose to Bottom Rotary Act Port to "L" Orbital Port
18	3202162	1	Hyd Hose Top Rotary Act Port to "R" Orbital Port

## Hydraulic Lift Pump Assembly #6046028

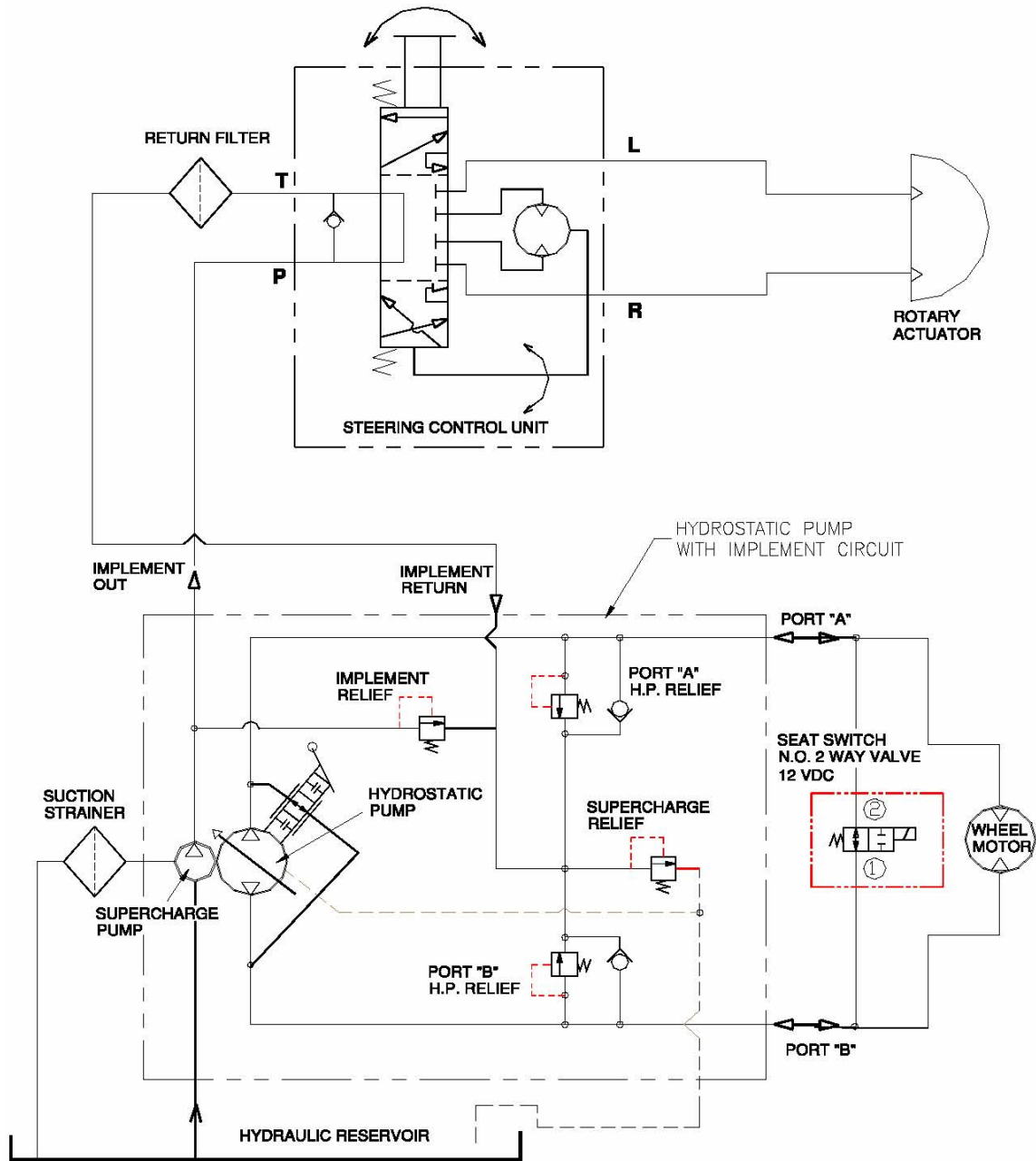


ITEM	PART NO.	QTY	DESCRIPTION
1	2600070	1	Hydraulic Pump Unit
2	2900014	2	Flat Washer, 3/8" SAE
3	2900006	2	Lock Washer, 3/8" Split
4	2900196	2	Cap Screw, Hex Hd., 3/8-16 x 3/4"
5	3200389	1	3/8" O-Ring TO 3/8" M. Pipe
6	3200528	1	Flow Control Valve
7	3201467	1	Fitting, 3/8" M. JIC to 3/8" M. Pipe
8	3202167	1	Hyd Hose Cylinder Tee to Power Unit

# Electrical Schematic



# Hydraulic Schematic







## Notes

---

---

---

---

---

---

---

---

---

---

---

---

---

---

---

---

---

---

---

---

---

---

---

---

---

---

---

---

---



## EQUIPMENT AND PARTS WARRANTY

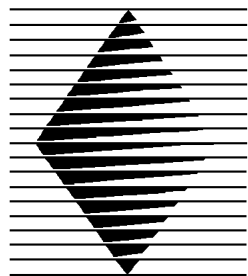
Diamond Products warrants all equipment manufactured by it against defects in workmanship or materials for a period of one (1) year from the date of shipment to Customer.

The responsibility of Diamond Products under this Warranty is limited to replacement or repair of defective parts at Diamond Products' Elyria, Ohio factory, or at a point designated by it, of such parts as shall appear to us upon inspection at such parts, to have been defective in material or workmanship, with expense for transportation and labor borne by Customer.

In no event shall Diamond Products be liable for consequential or incidental damages arising out of the failure of any Product to operate properly.

Integral units such as engines, electric motors, batteries, transmissions, etc., are excluded from this Warranty and are subject to the prime manufacturer's warranty.

**THIS WARRANTY IS IN LIEU OF ALL OTHER WARRANTIES, EXPRESSED OR IMPLIED, AND ALL SUCH OTHER WARRANTIES ARE HEREBY DISCLAIMED.**



# DIAMOND PRODUCTS

333 Prospect Street, Elyria, Ohio 44035  
(440) 323-4616 • (800) 321-5336 • Fax (440) 323-8689  
[www.diamondproducts.com](http://www.diamondproducts.com)