

DIAMOND
PRODUCTS

CONCRETE SAW
PARTS LIST

MODEL:
CC7878 EZ-RIDER

(November 2009)

PART#: 1801106

 **WARNING** 

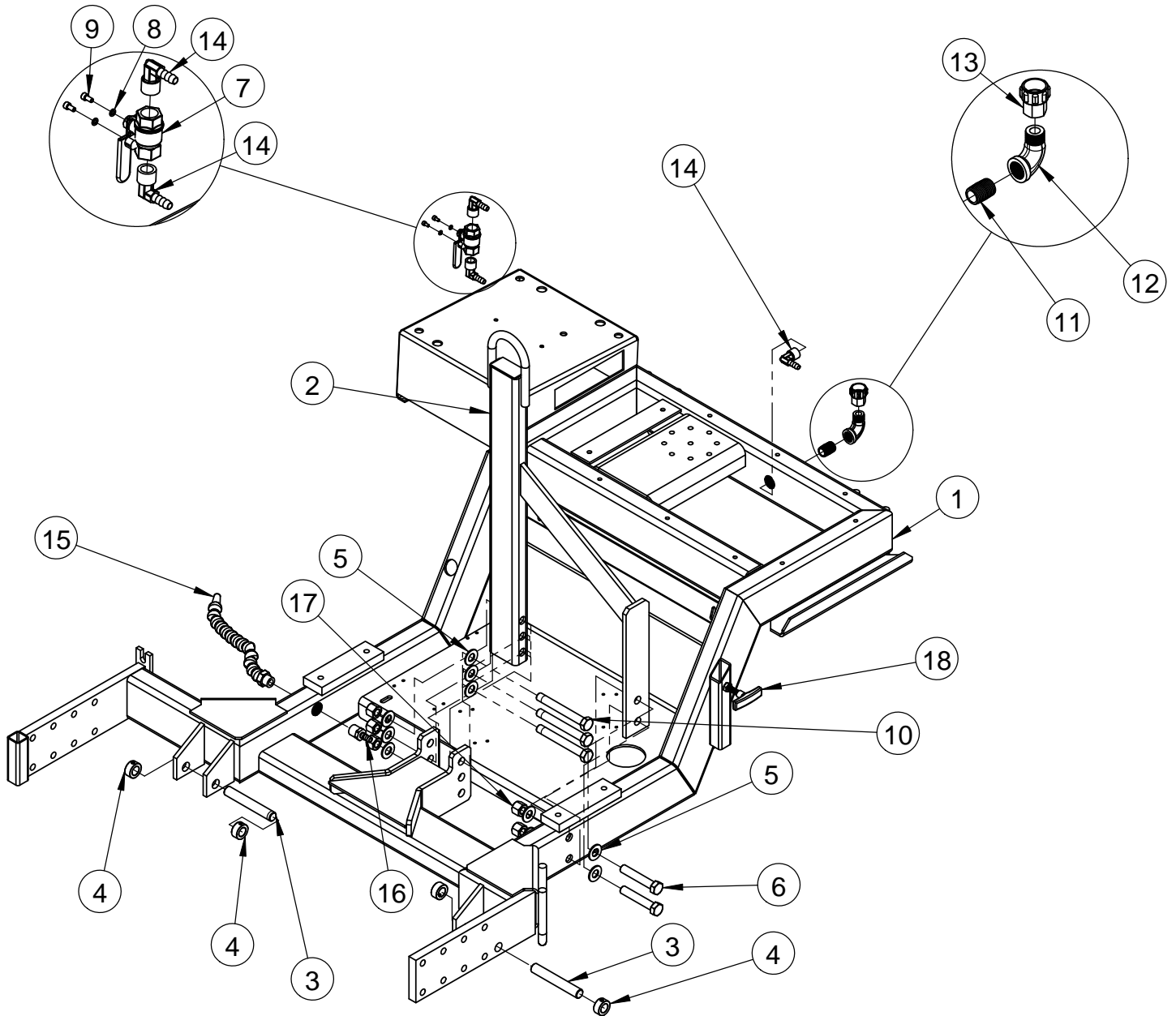
**The engine exhaust from this product
Contains chemicals known to the
State of California to cause cancer,
birth defects or other reproductive harm.**



Table of Contents

Frame components	4
Oil Filter Detail View.....	6
Manifold Block Assembly	7
Wheel Assembly	8
Guide Assembly.....	9
Engine Components	10
Pump Assembly	12
Muffler Assembly	14
Air Filter Assembly	15
Belt.....	16
Blade Shaft Assembly.....	17
Lift Assembly	18
Seat Components	20
Rear Drive Components	22
Blade Guard and Belt Guard.....	24
Fuel and Hydraulic Components.....	26
PTO Assembly	28
20" Blade Guard Assembly	30
14" Blade Guard Assembly	32
Console Components	34
Steering Control Unit Assembly	36
Hydraulic Lift Pump Assembly	38
Hub Assembly.....	39
Electrical Schematic.....	40
Hydraulic Components.....	41
Decal Set	42
Additional Decals	43
Notes	44
Warranty	48

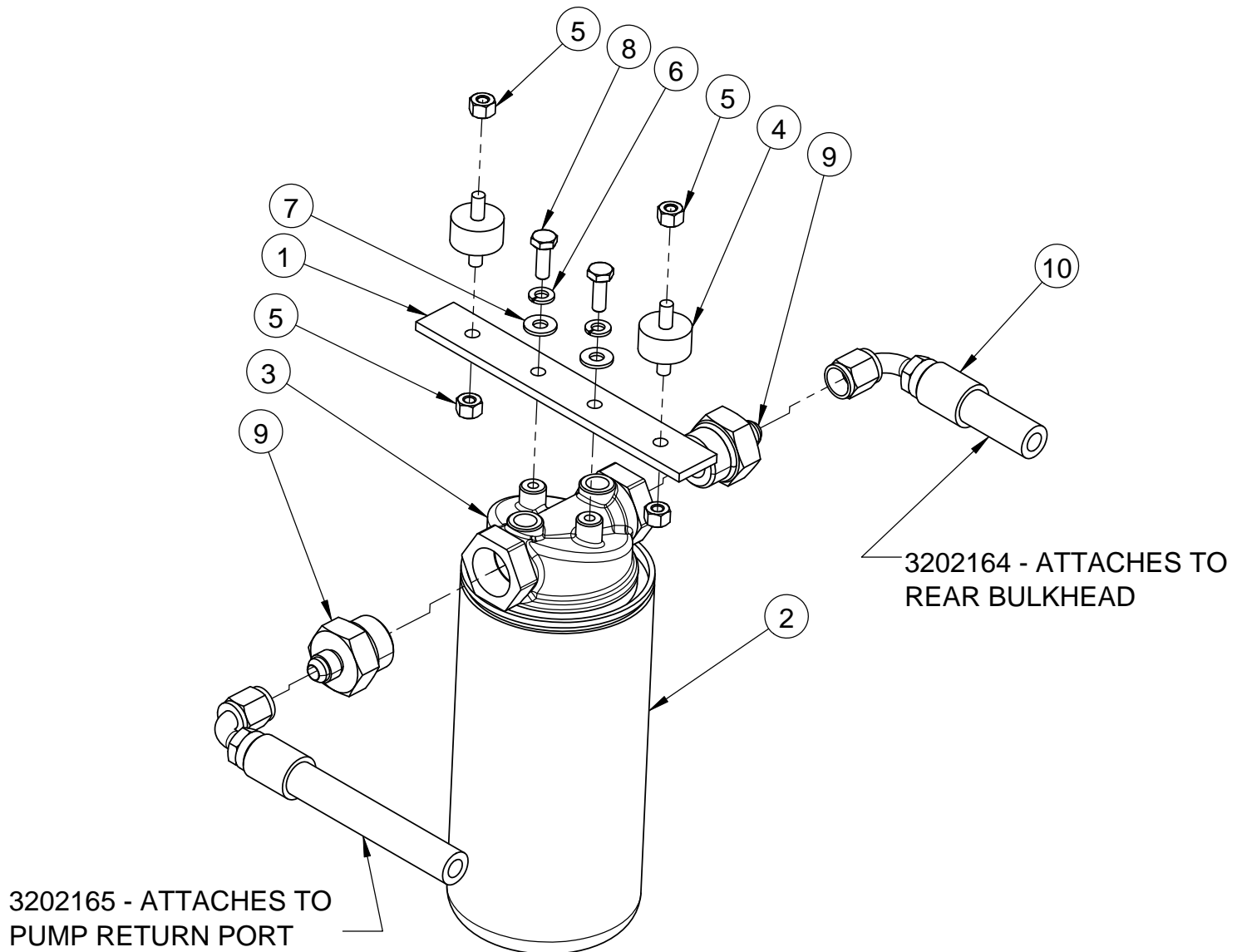
Frame Components #6046003



Frame Components #6046003

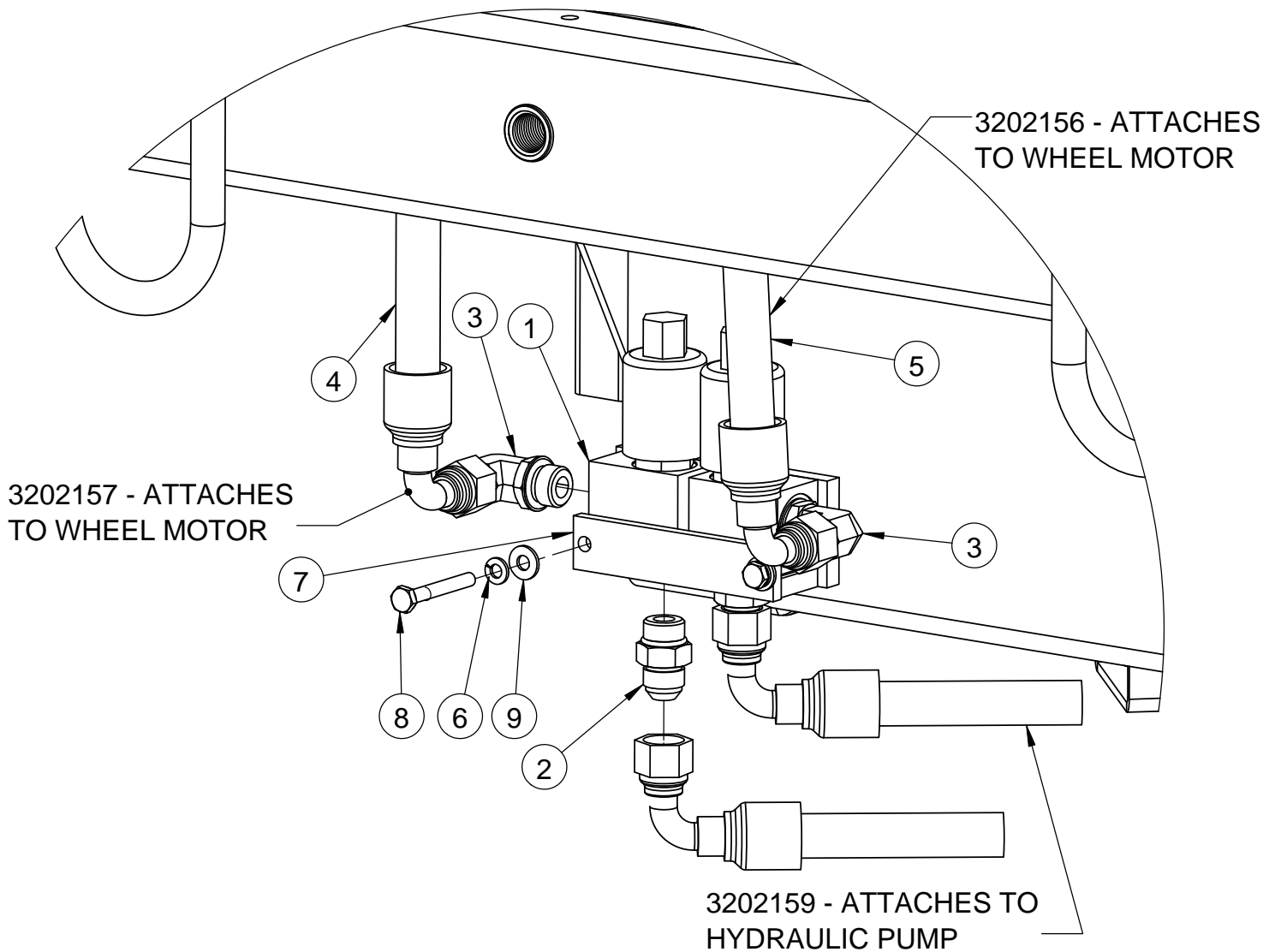
ITEM	PART NO.	QTY	DESCRIPTION
1	6043272	1	Frame Weldment
2	6043276	1	Lift Frame
3	6043271	2	Pin, Cylinder Long
4	2400615	4	Set Collar, 3/4"
5	2900002	10	Flat Washer, 5/8" SAE
6	2900099	2	Cap Screw, Hex Hd., 5/8-11 x 3-1/2"
7	3200026	2	Water Valve, 1/2" FPT
8	2900038	4	Lock Washer, #10 Split
9	2900117	4	Cap Screw, Soc. Hd., #10-24 x 3/8"
10	2900502	3	Cap Screw, Hex Hd., 5/8-11 x 5"
11	3200008	1	Close Nipple, 1/2" NPT
12	3200013	1	Street Elbow, 1/2" NPT
13	3200022	1	Fitting, 1/2" F. Pipe to 3/4" F. Garden
14	3200516	5	1/2" X 3/8" Hose Barb
15	2501548	1	Spray Hose Assembly
16	3200517	1	1/2"X3/8" Hose Barb Strait (Brass)
17	2900135	5	Lock Nut, 5/8-11 Nylon
18	2400199	1	Locking Knob 3/8 Stud

Oil Filter Detail View #6046022



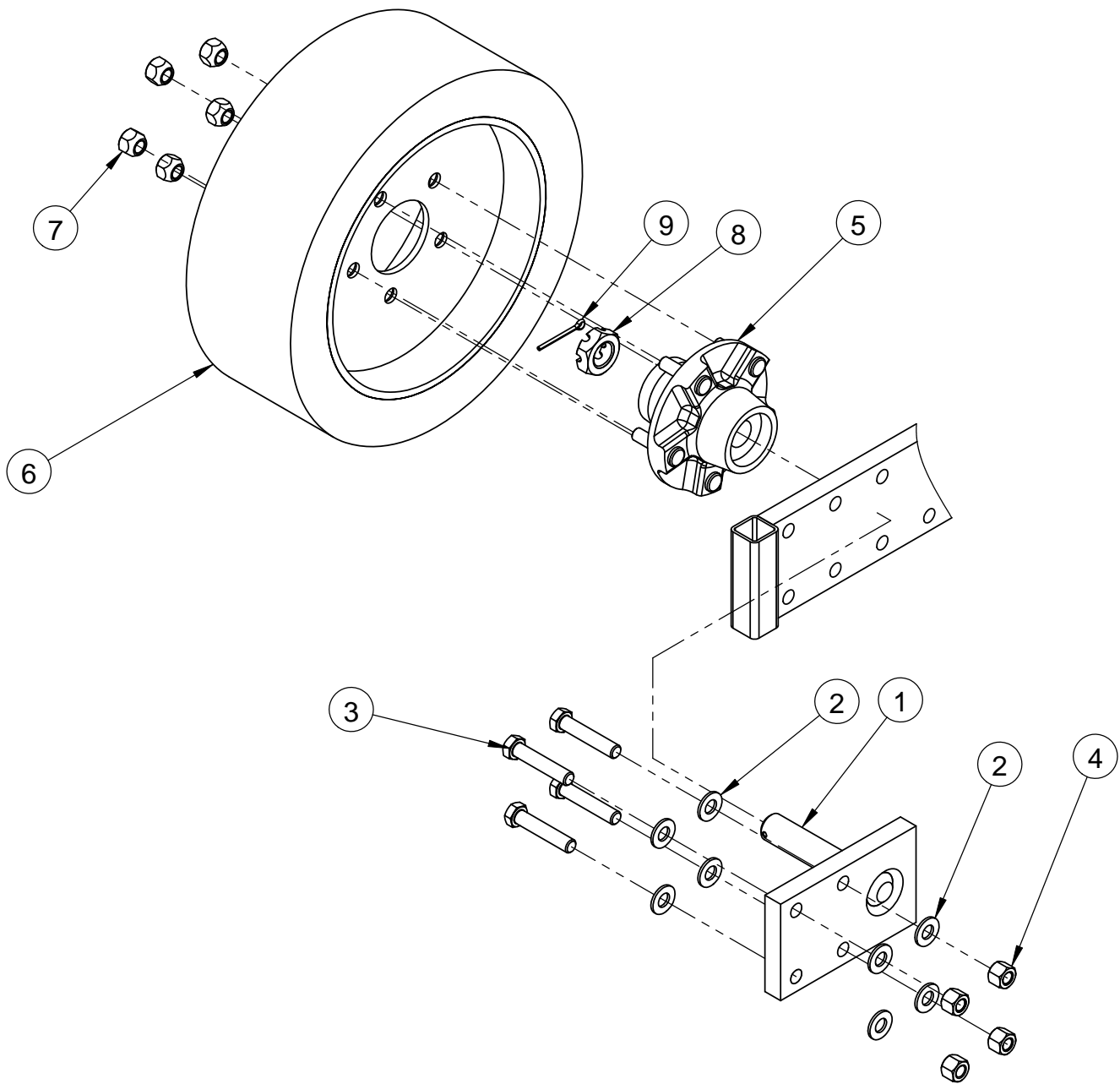
ITEM	PART NO.	QTY	DESCRIPTION
1	6043275	1	Filter Mount Plate
2	3201175	1	Hydraulic Filter Element
3	2501552	1	Filter Mount
4	2701360	2	Shock Mount
5	2900010	4	Lock Nut, 1/4-20 Nylon
6	2900024	2	Lock Washer, 1/4" Split
7	2900009	2	Flat Washer, 1/4" SAE
8	2900144	2	Cap Screw, Hex Hd., 1/4-20 x 3/4"
9	3202214	2	12M.O-Ring-6M.JIC Straight
10	3202164	1	Hyd Hose Filter In Port to Rear Bulkhead
11	2400199	1	Locking Knob 3/8 Stud

Manifold Block Assembly #6046023



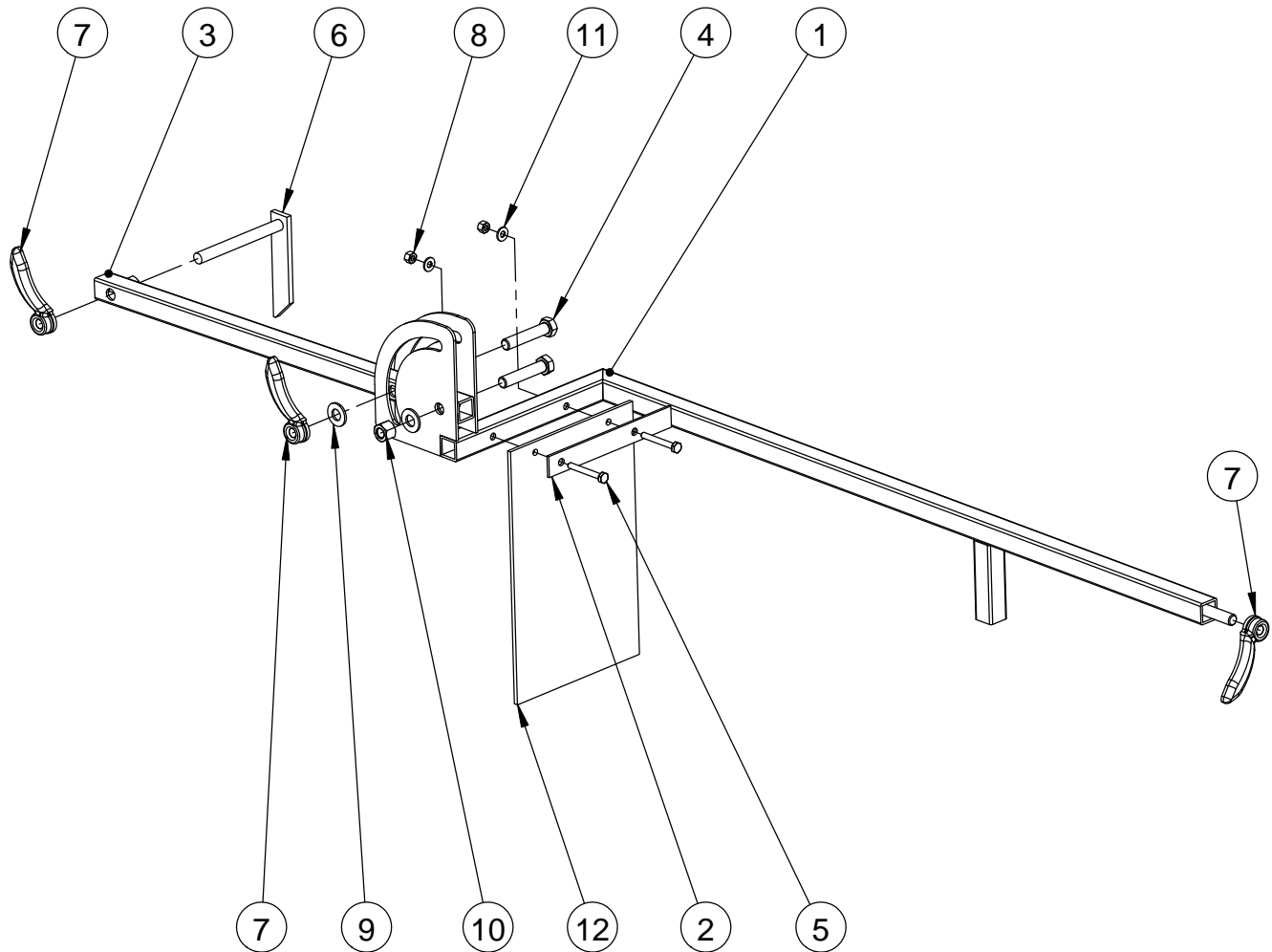
ITEM	PART NO.	QTY	DESCRIPTION
1	6043297	2	Manifold Block Assembly
2	3200286	2	Adapter, 1/2" O-Ring to 1/2" M. JIC
3	3200285	2	Elbow, 1/2" O-Ring to 1/2" Male JIC
4	3202157	1	Hyd Hose Rear Wheel Motor to Left Manifold Port
5	3202156	1	Hyd Hose Front Wheel Motor to Right Manifold Port
6	2900024	2	Lock Washer, 1/4" Split
7	6046031	1	Manifold Hold Down
8	2900294	2	Cap Screw, Hex Hd., 1/4-20 x 2"
9	2900009	2	Flat Washer, 1/4" SAE
10	2400199	1	Locking Knob 3/8 Stud

Wheel Assembly #6046024



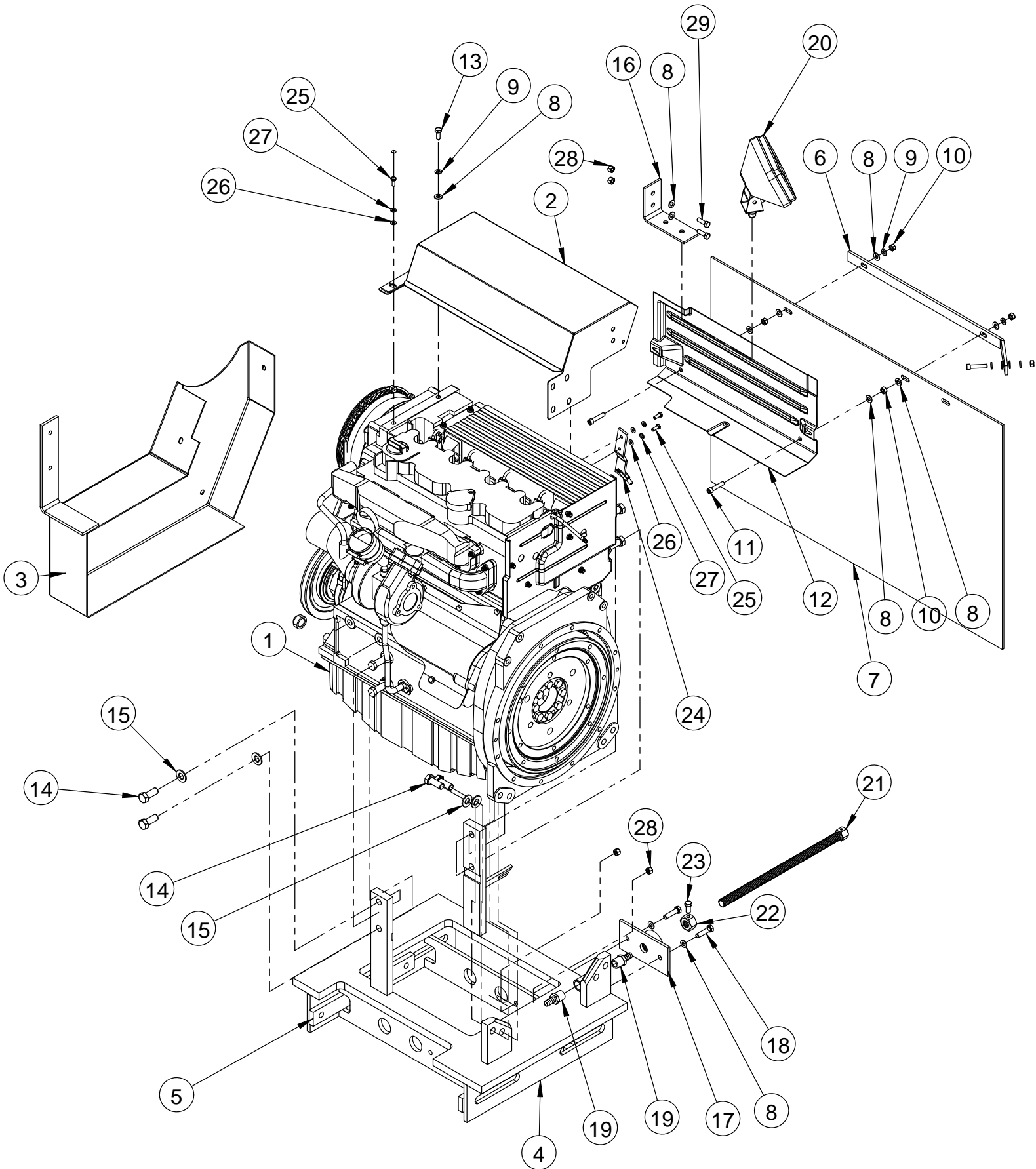
ITEM	PART NO.	QTY	DESCRIPTION
1	6043277	1	Axle Spindle Weldment
2	2900058	8	Flat Washer, 1/2" SAE
3	2900811	4	Cap Screw, Hex Hd., 1/2-13 x 2-1/2"
4	2900026	4	Lock Nut, 1/2-13 Nylon
5	6043274	1	Hub Assembly CC7878
6	6043306	1	Wheel Assembly
7	2900975	5	Lug Nut, 1/2-20
8	2707220	1	Hex Nut, 1"-14 Slotted
9	2900971	1	1/8"X2" Cotter Pin
10	2400199	1	Locking Knob 3/8 Stud

Guide Assembly #6043240



ITEM	PART NO.	QTY.	DESCRIPTION
1	6043239	1	Guide Assembly
2	6043241	1	Slurry Flap Retainer
3	6043238	1	Indicator Arm Weldment
4	2900811	2	Cap Screw, Hex Hd., 1/2-13 x 2-1/2"
5	2900294	2	Cap Screw, Hex Hd., 1/4-20 x 2"
6	6043429	1	Rear Line Pointer
7	2501505	3	1/2" Handle Nut
8	2900010	2	Lock Nut, 1/4-20 Nylon
9	2900058	4	Flat Washer, 1/2" SAE
10	2900026	1	Lock Nut, 1/2-13 Nylon
11	2900009	2	Flat Washer, 1/4" SAE
12	6043242	1	Slurry Flap

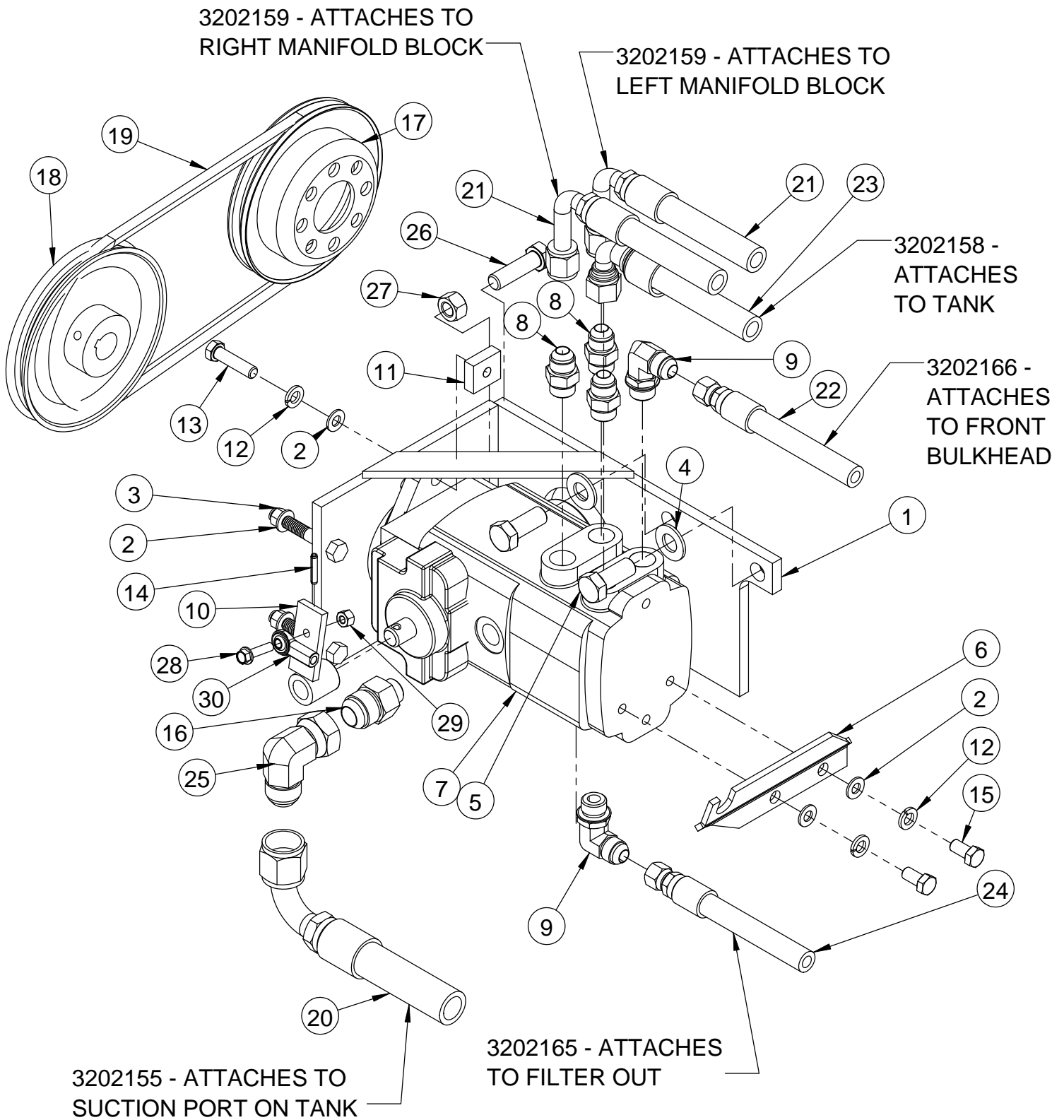
Engine Components #6046004



Engine Components #6046004

ITEM	PART NO.	QTY	DESCRIPTION
1	2600543	1	78HP Deutz Diesel Engine
2	6043268	1	Blower Deflector Weldment
3	6043279	1	Pump Beltguard Weldment
4	6043270	1	Engine Mount Weldment
5	6043267	2	Retaining Bar
6	6043605	1	Retaining Bar Spray Flap
7	6043490	1	Spray Flap Engine
8	2900022	15	Flat Washer, 5/16" SAE
9	2900031	7	Lock Washer, 5/16" Split
10	2900141	5	Hex Nut, 5/16-18
11	2900233	3	Cap Screw, Soc. Hd., 5/16-18 x 1-1/2"
12	6046015	1	Cover Deutz Diesel Engine
13	2900329	1	Capscrew, Hex Hd., M8 x 20mm
14	2900349	8	Cap Screw, Hex Hd., M14 x 35mm
15	2900651	8	Flat Washer, 9/16"
16	6043269	1	Light Mount Plate
17	6046016	1	Adjustment Nut Weldment
18	2900029	2	Cap Screw, Hex Hd., 3/8-16 x 1-1/2"
19	3200020	2	Fitting, 1/2" MPT to 1/2" Hose Barb
20	2501517	1	Dual Beam Light
21	2501519	1	BELT ADJUSTER ROD ASSEMBLY
22	6043296	1	3/4" ACME NUT
23	2900196	1	Cap Screw, Hex Hd., 3/8-16 x 3/4"
24	6043264	1	Throttle Extension Plate
25	2900341	3	Cap Screw, Hex Hd., M6 x 16mm
26	2900016	3	Flat Washer, #10 USS
27	2900024	3	Lock Washer, 1/4" Split
28	2900039	4	Lock Nut, 5/16-18 Nylon
29	2900138	2	Cap Screw, Hex Hd., 5/16-18 x 1"
30	2501028	1	Clevis Assembly, 10-32

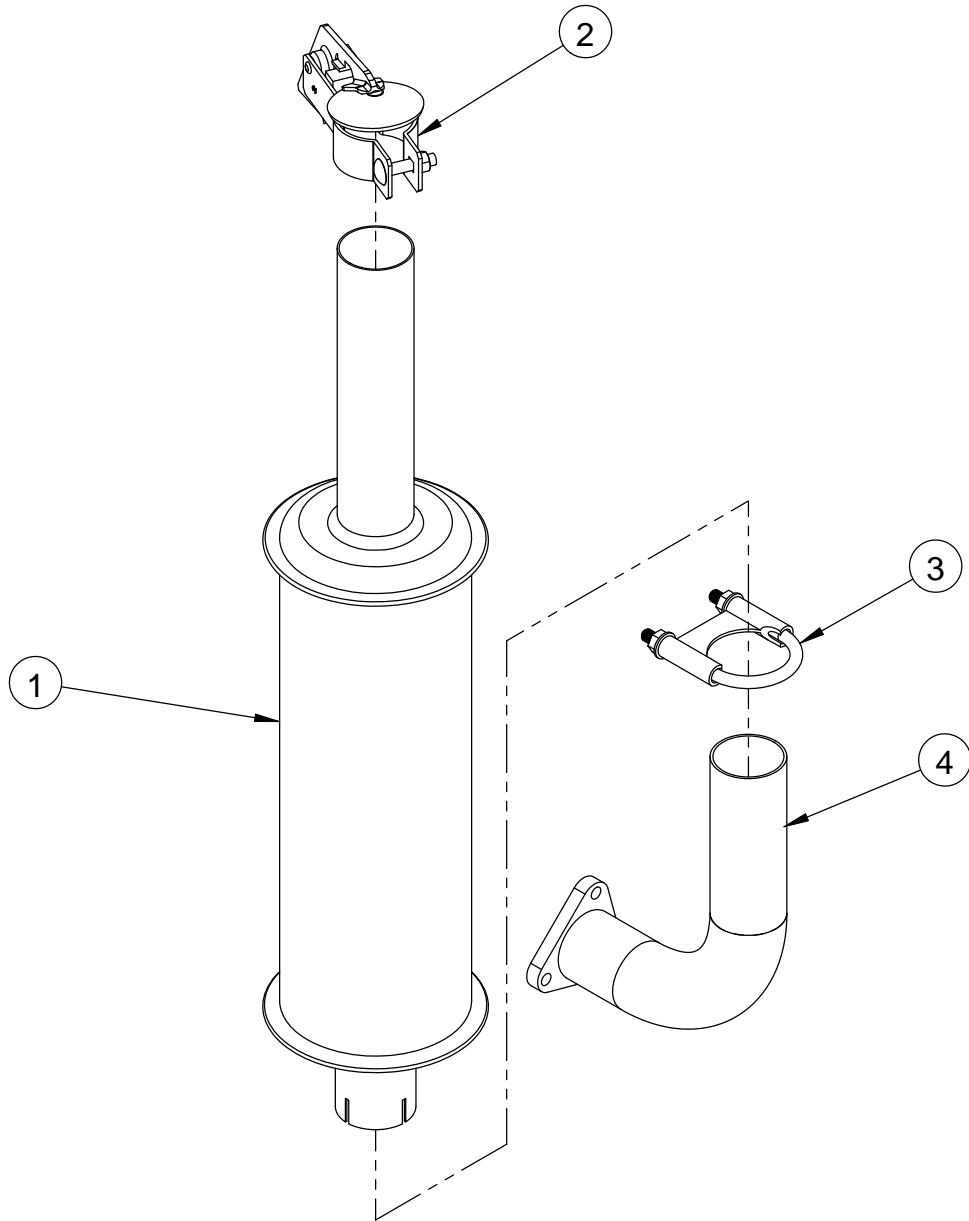
Pump Assembly #6046025



Pump Assembly #6046025

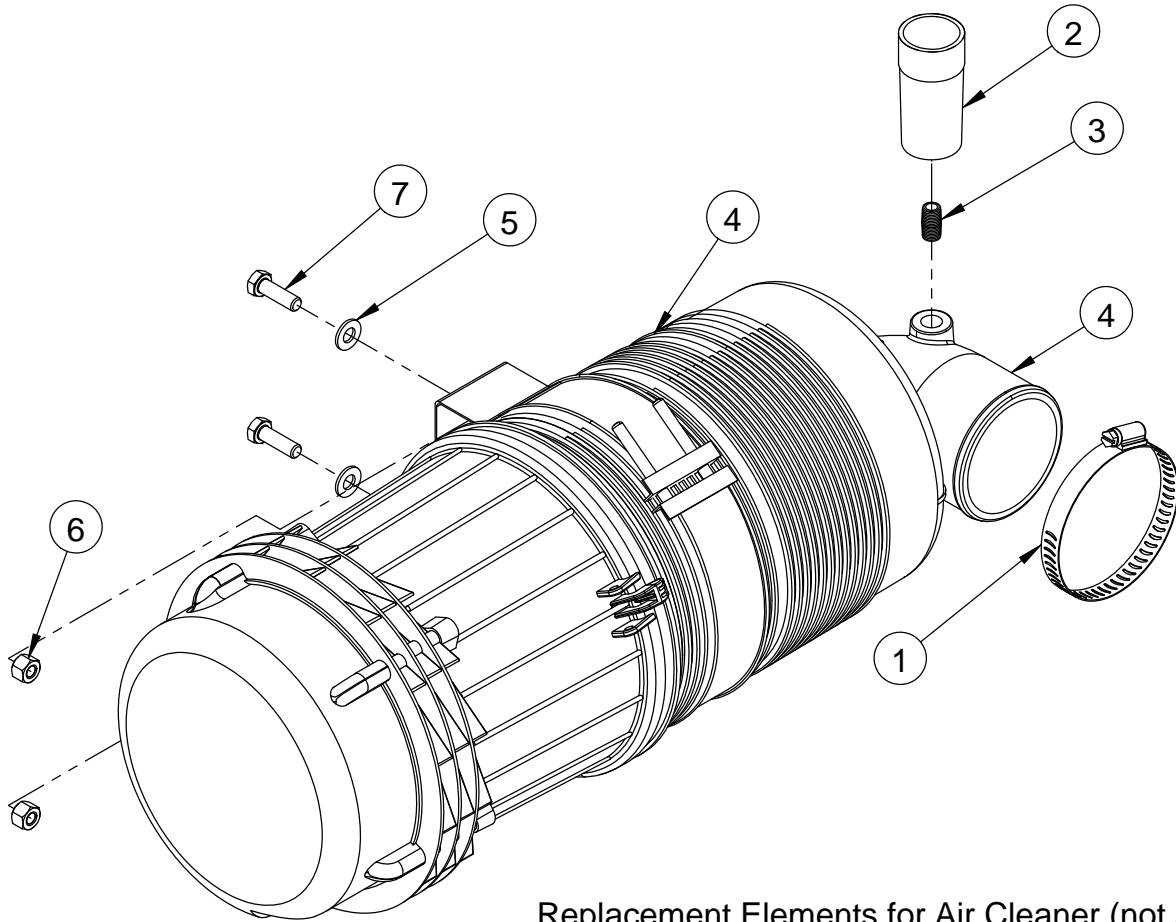
ITEM	PART NO.	QTY	DESCRIPTION
1	6043280	1	Transmission Mount Weldment
2	2900022	6	Flat Washer, 5/16" SAE
3	2900039	2	Lock Nut, 5/16-18 Nylon
4	2900651	2	Flat Washer, 9/16"
5	2900349	2	Cap Screw, Hex Hd., M14 x 35mm
6	6043283	1	Cable Bracket
7	2600340	1	Hydraulic Pump CC7878 E-Z Rider
8	3200286	3	Adapter, 1/2" O-Ring to 1/2" M. JIC
9	3200285	2	Elbow, 1/2" O-Ring to 1/2" Male JIC
10	6043282	1	Pump Connection Lever
11	6043281	2	Transmission Retainer
12	2900006	4	Lock Washer, 3/8" Split
13	2900029	2	Cap Screw, Hex Hd., 3/8-16 x 1-1/2"
14	2900134	1	Roll Pin, 3/16" x 1"
15	2900196	2	Cap Screw, Hex Hd., 3/8-16 x 3/4"
16	3202215	1	1/2"M.Oring-3/4"M.JIC
17	2705030	1	Pulley Deutz Auxillary
18	2501551	1	Pulley, 5.75X 7/8"Bore
19	2504012	1	V-Belt AX34
20	3202155	1	Hyd Hose Suction Port of Pump to tank strainer of CC7878
21	3202159	2	Hyd Hose Hyd Pump to Hyd Manifold Block
22	3202166	1	Hyd Hose (PSI) Pump Pso Port to Front Bulkhead
23	3202158	1	Hyd Hose Case Drain of Pump to Hyd Reservoir
24	3202165	1	Hyd Hose Filter out Port to Pump Return Port
25	3200417	1	Elbow, 3/4" F. JIC to 3/4" M. JIC
26	2900139	1	Cap Screw, Hex Hd., 1/2-13 x 1-3/4"
27	2900037	1	Hex Nut, 1/2-13
28	2900180	1	Cap Screw, Hex Flange Hd., 1/4-20 x 1"
29	2900010	1	Lock Nut, 1/4-20 Nylon
30	2500409	1	Rod End, 1/4-28 Female

Muffler Assembly #6046026



ITEM	PART NO.	QTY	DESCRIPTION
1	2700746	1	Muffler
2	2700747	1	Rain Cap 2"
3	2700748	1	Muffler Clamp 2"
4	6043298	1	Exhaust Pipe CC7878

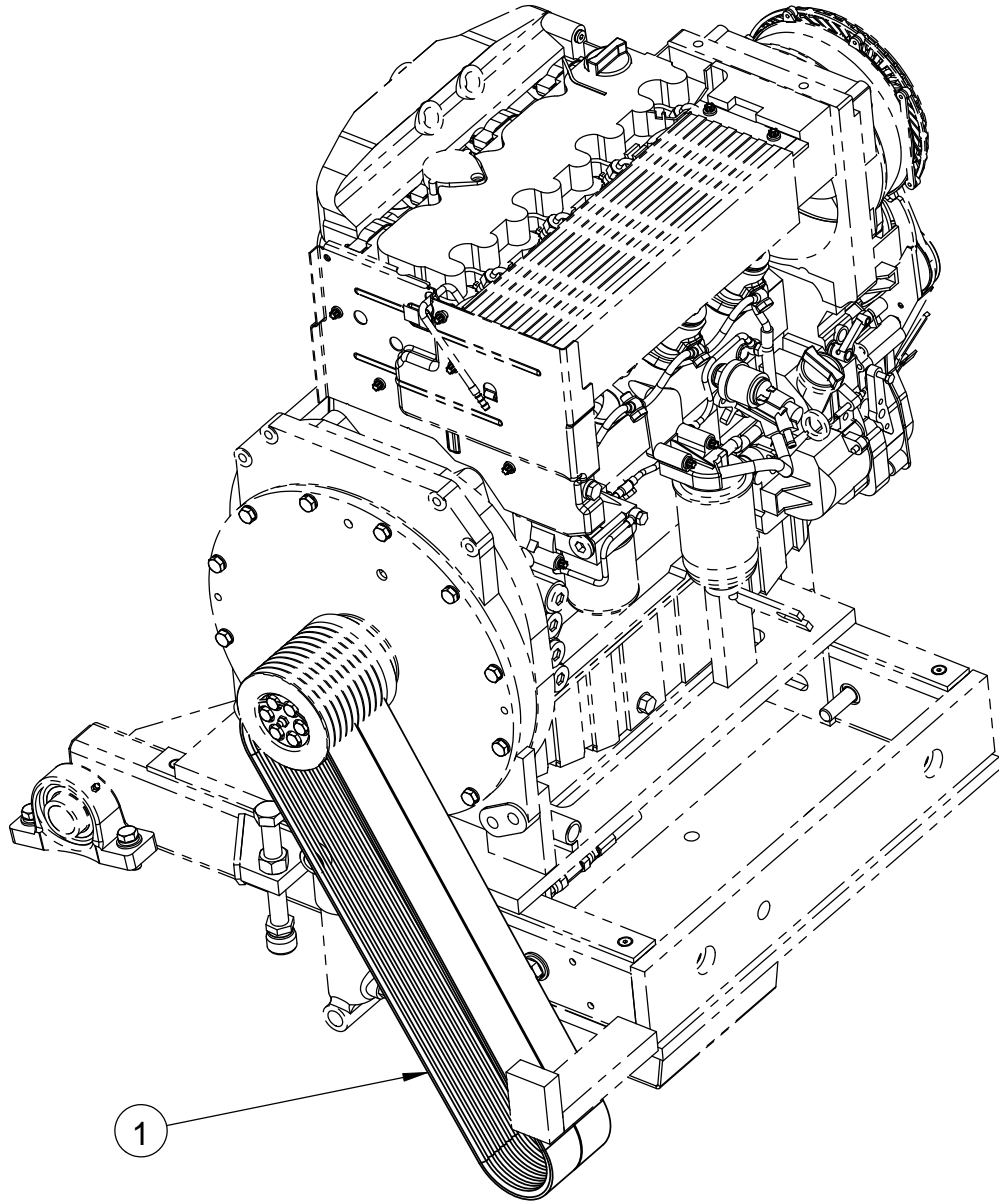
Air Filter Assembly #6046027



Replacement Elements for Air Cleaner (not shown)
 2504024 - Outer Primary Filter
 2504024 - Inner Safet Filter

ITEM	PART NO.	QTY	DESCRIPTION
1	3200197	1	Hose Clamp #52
2	2500423	1	Restriction Indicator
3	3200117	1	Close Nipple, 1/8" NPT
4	2501739	1	Air Cleaner with Pre-Cleaner
5	2900022	2	Flat Washer, 5/16" SAE
6	2900039	2	Lock Nut, 5/16-18 Nylon
7	2900138	2	Cap Screw, Hex Hd., 5/16-18 x 1"

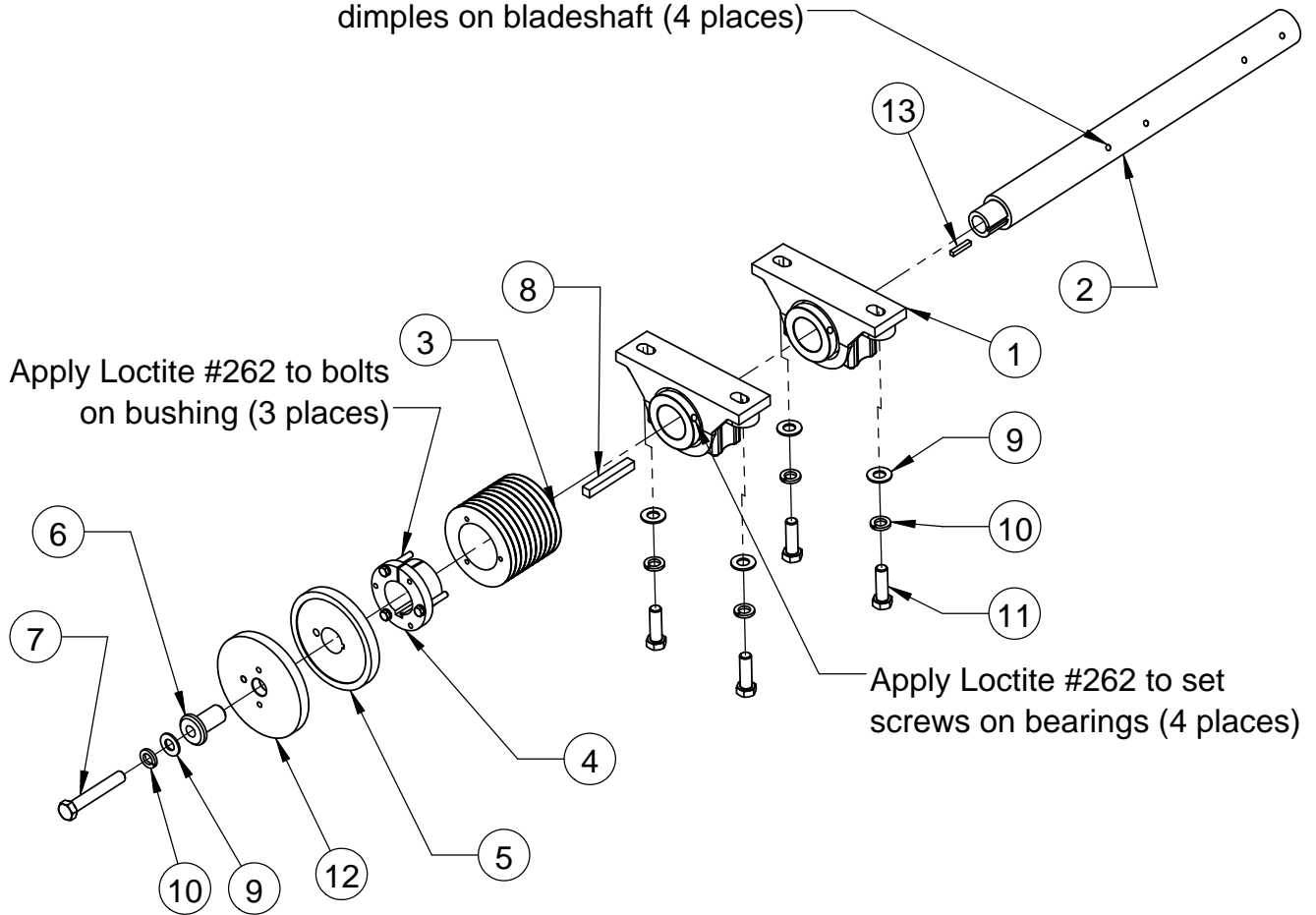
Belt #2502140



ITEM	PART NO.	QTY	DESCRIPTION
1	2502041	1	Belt Set, 5/3VX530 - 5 Strand

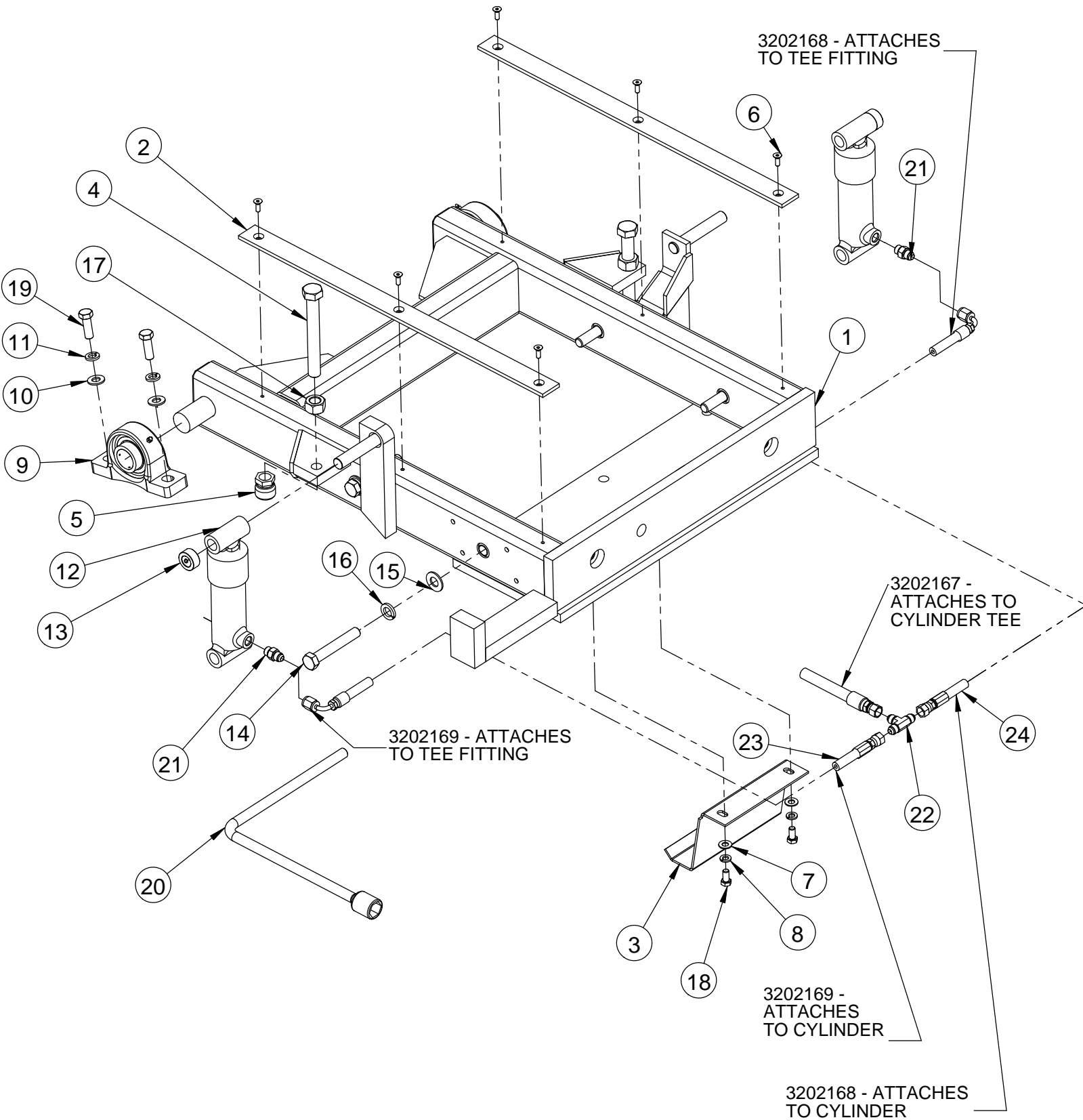
Blade Shaft Assembly #6046018

Align setscrews on bearings with
dimples on bladeshaft (4 places)



ITEM	PART NO.	QTY.	DESCRIPTION
1	2501520	2	Bearing, 2" Pillow Block
2	6043286	1	ARBOR SHAFT 2"
3	2501647	1	Sheave 3V-4.75, 10 Groove QD Style
4	2500153	1	QD Bushing, SK x 2" w/Fasteners
5	6043259	1	Inside Collar
6	6040252	1	Stub Shaft
7	2900146	1	Cap Screw, Hex Hd., 5/8-11 x 4"
8	2501537	1	Key B17.1 0.5x0.5x3.5
9	2900002	5	Flat Washer, 5/8" SAE
10	2900113	5	Lock Washer, 5/8" Split
11	2900136	4	Cap Screw, Hex Hd., 5/8-11 x 2"
12	6049033	1	Outer Flange Assy CC7878
13	2501538	1	Square Key, 1/4 X 1-3/8"

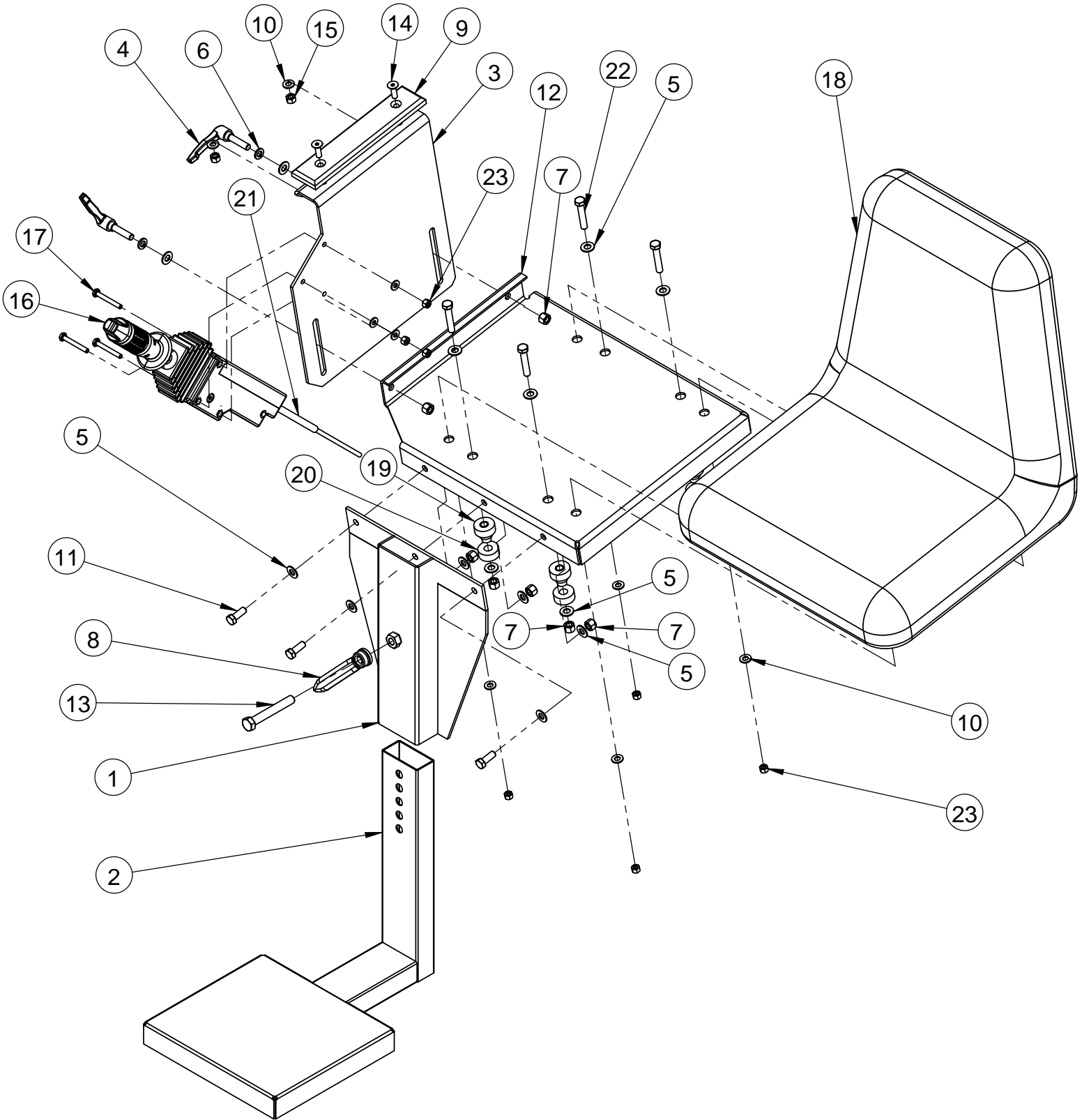
Lift Assembly #6046007



Lift Assembly #6046007

ITEM	PART NO.	QTY	DESCRIPTION
1	6043247	1	Frame Lift Weldment
2	6043249	2	Top Motor Slide
3	6043250	1	Arbor Shield Plate
4	2900480	2	Tap Bolt, Hex Hd., 3/4-10 x 6"
5	2900476	2	Swivel Pad Nut, 3/4-10
6	2900020	6	Cap Screw, Flat Hd., 1/4-20 x 3/4"
7	2900014	2	Flat Washer, 3/8" SAE
8	2900006	2	Lock Washer, 3/8" Split
9	2501531	2	Pillow Block Bearing, 1-3/8"
10	2900058	4	Flat Washer, 1/2" SAE
11	2900084	4	Lock Washer, 1/2" Split
12	2501541	2	Hydraulic Cylinder, 1-3/4" x 5"
13	2400615	2	Set Collar, 3/4"
14	2900146	4	Cap Screw, Hex Hd., 5/8-11 x 4"
15	2900002	4	Flat Washer, 5/8" SAE
16	2900113	4	Lock Washer, 5/8" Split
17	2900041	2	Hex Nut, 3/4-10
18	2900196	2	Cap Screw, Hex Hd., 3/8-16 x 3/4"
19	2900499	4	Cap Screw, Hex Hd., 1/2-13 x 1-1/2"
20	6043363	1	.937 X 90 Wrench
21	3200263	2	Adapter, 3/8" O-Ring to 3/8" M. JIC
22	3200268	1	3/8" Male JIC Union Tee
23	3202169	1	Hyd Hose Left Cylinder to "T" fitting
24	3202168	1	Hyd Hose Right Cylinder to "T" fitting

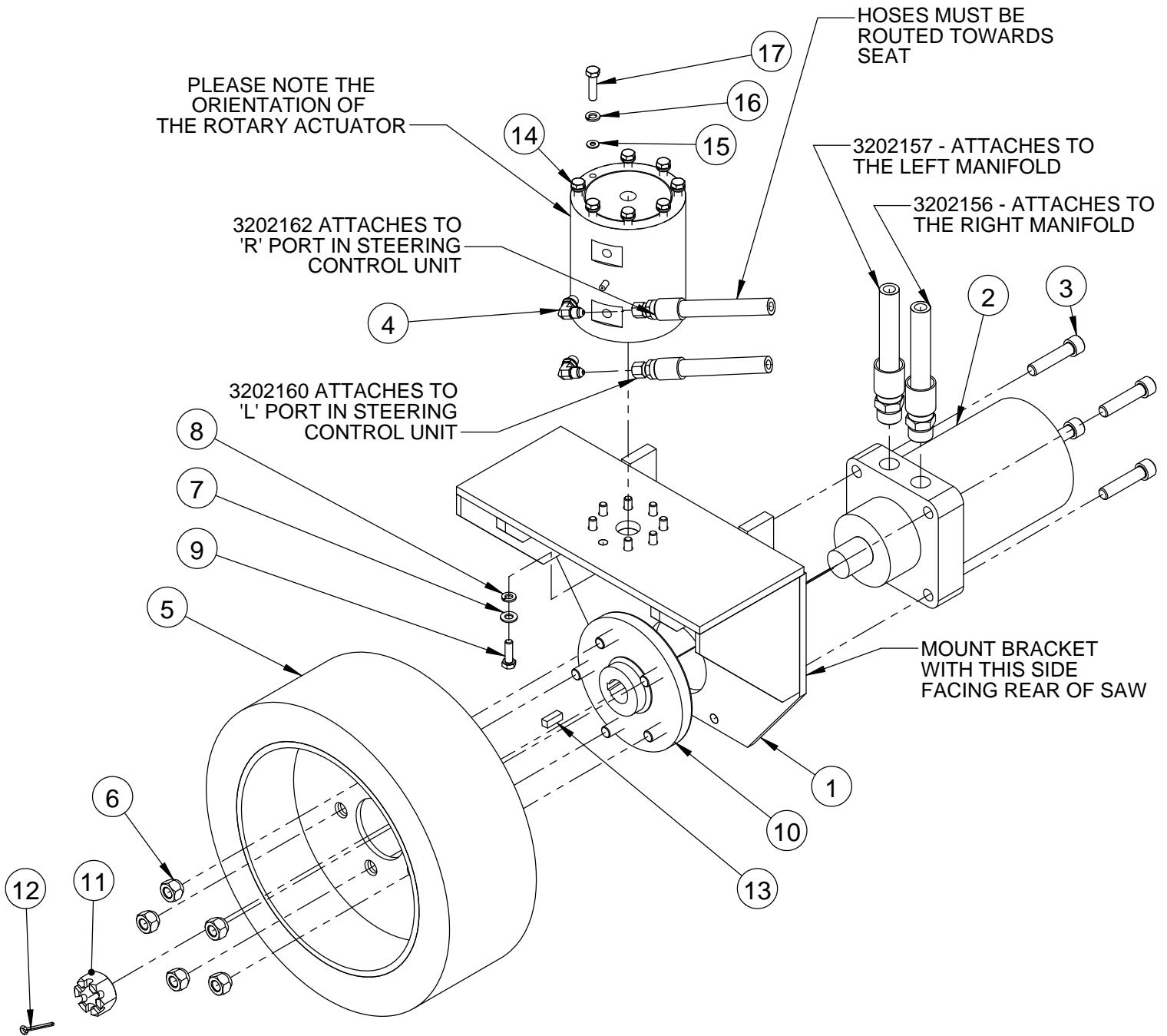
Seat Components #6046008



Seat Components #6046008

ITEM	PART NO.	QTY.	DESCRIPTION
1	6043234	1	Footrest Weldment Upper
2	6043233	1	Footrest Weldment Lower
3	6043236	1	Arm Rest Plate
4	2500577	2	Lever, Adjustable 3/8-16"
5	2900014	16	Flat Washer, 3/8" SAE
6	2900006	2	Lock Washer, 3/8" Split
7	2900018	9	Lock Nut, 3/8-16 Nylon
8	2501505	1	1/2" Handle Nut
9	2501539	1	Arm Rest Top
10	2900022	6	Flat Washer, 5/16" SAE
11	2900005	3	Cap Screw, Hex Hd., 3/8-16 x 1"
12	6043235	1	Seat Mount Weldment
13	2900542	1	Tap Bolt, Hex Hd., 1/2-13 x 3-1/2"
14	2900174	2	Cap Screw, Flat Hd., 5/16-18 x 1"
15	2900039	2	Lock Nut, 5/16-18 Nylon
16	2501501	1	Speed Control Stick
17	2900294	3	Cap Screw, Hex Hd., 1/4-20 x 2"
18	2501547	1	Seat
19	2505500	4	Rubber Isolator
20	2505501	4	Rubber Bushing
21	2501506	1	Speed Control Cable
22	2900060	4	Cap Screw, Hex Hd., 3/8-16 x 2"
23	2900010	7	Lock Nut, 1/4-20 Nylon
24	2900009	3	Flat Washer, 1/4" SAE

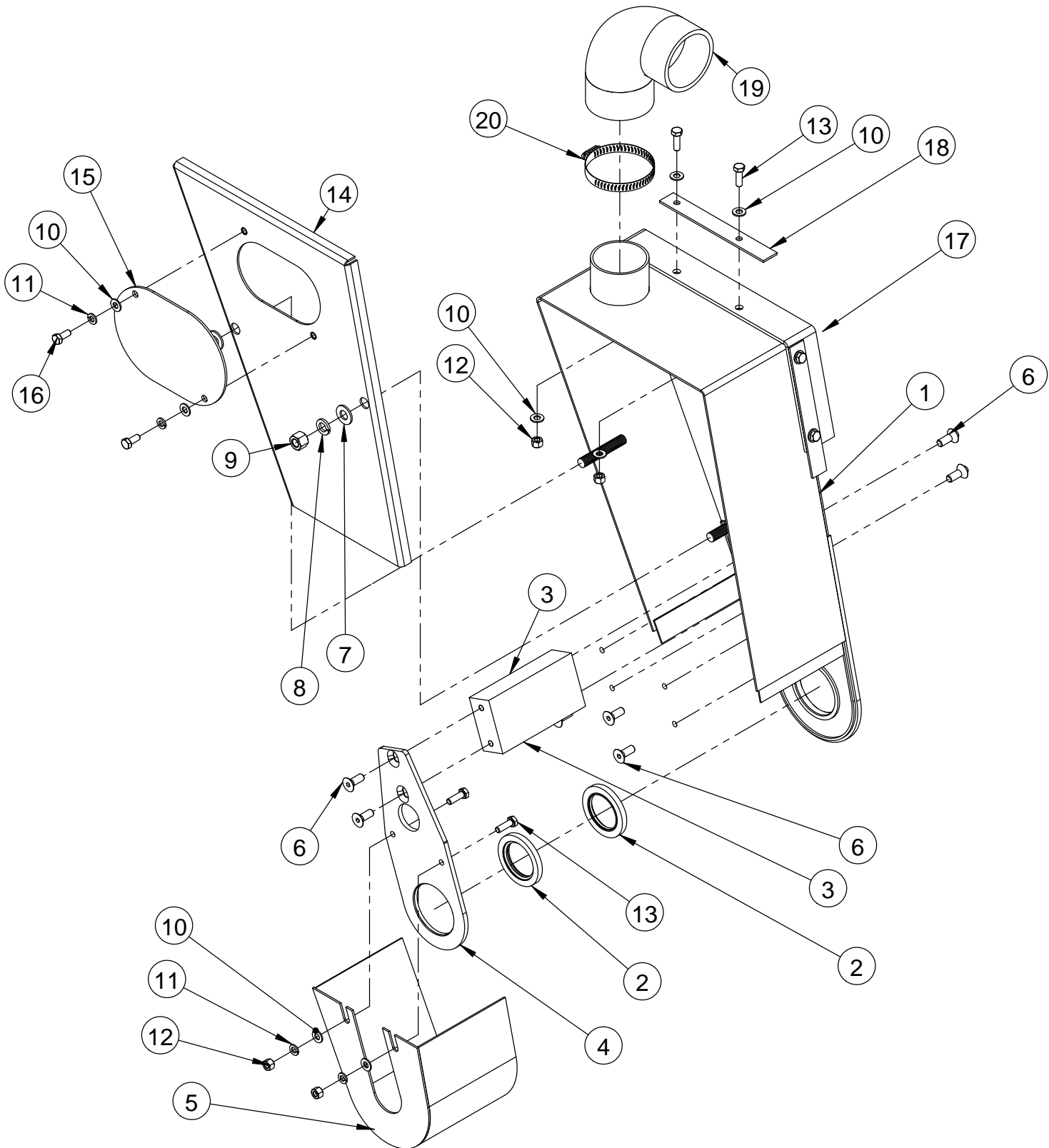
Rear Drive Components #6046009



Rear Drive Components #6046009

ITEM	PART NO.	QTY	DESCRIPTION
1	6043237	1	Wheel Bracket
2	2600325	1	Wheel Motor Eaton 7.7 CI
3	2900575	4	Cap Screw, Soc. Hd., 1/2-13 x 2-1/4"
4	3200214	2	Elbow, 1/4" M. O-Ring to 1/4" M. JIC
5	6043306	1	Wheel Assembly
6	2900975	5	Lug Nut, 1/2-20
7	2900022	8	Flat Washer, 5/16" SAE
8	2900031	8	Lock Washer, 5/16" Split
9	2900138	8	Cap Screw, Hex Hd., 5/16-18 x 1"
10	2501512	1	Hydrogear Wheel Hub
11	2701903	1	Hex Nut, 1"-20 Slotted
12	2900971	1	1/8"X2" Cotter Pin
13	2501536	1	5/16" X 7/8" SQ KEY
14	2501640	1	Helac L10 Rotary Actuator
15	2900016	8	Flat Washer, #10 USS
16	2900031	8	Lock Washer, 5/16" Split
17	2900217	8	Cap Screw, Hex Hd., 5/16-18 x 1-1/4"

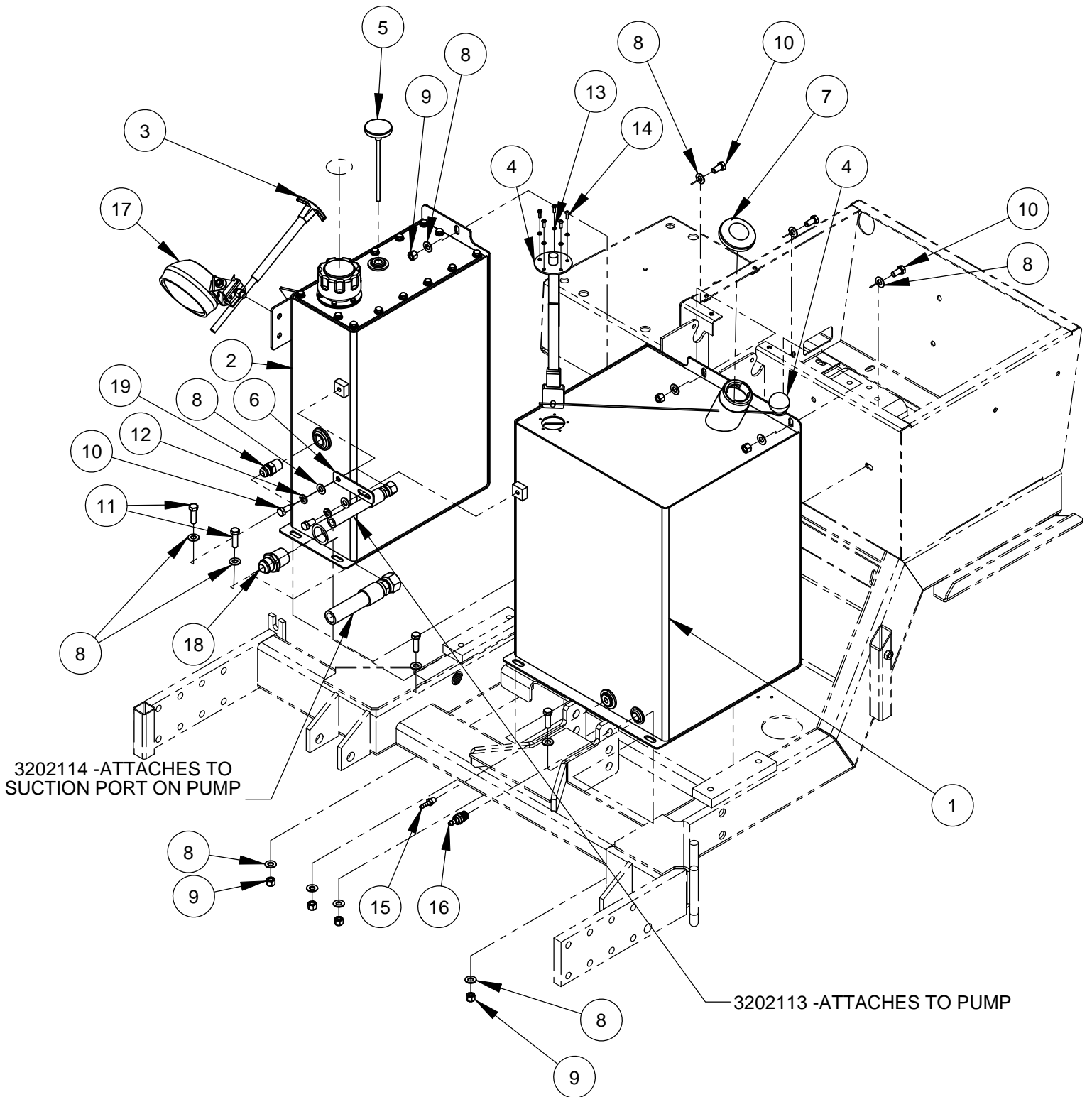
Belt Guard and Blade Guard #6046011



Belt Guard and Blade Guard #6046011

ITEM	PART NO.	QTY.	DESCRIPTION
1	6043253	1	Belt Guard Weldment
2	2503702	2	Oil Seal
3	6043366	1	Spacer Bar
4	6043367	1	Outer Seal Plate
5	6043254	1	Lower Beltguard
6	2900235	8	Cap Screw, Flat Hd., 3/8-16 x 1"
7	2900058	2	Flat Washer, 1/2" SAE
8	2900084	2	Lock Washer, 1/2" Split
9	2900026	2	Lock Nut, 1/2-13 Nylon
10	2900022	16	Flat Washer, 5/16" SAE
11	2900031	4	Lock Washer, 5/16" Split
12	2900039	8	Lock Nut, 5/16-18 Nylon
13	2900138	8	Cap Screw, Hex Hd., 5/16-18 x 1"
14	6046019	1	Beltguard Cover Assembly
15	6045116	1	PTO Cover Plate
16	2900019	2	Cap Screw, Hex Hd., 5/16-18 x 3/4"
17	6045181	1	Belt Guard Flap
18	6043241	3	Slurry Flap Retainer
19	2500669	1	Hose Elbow, 3" I.D.
20	3200197	1	Hose Clamp #52

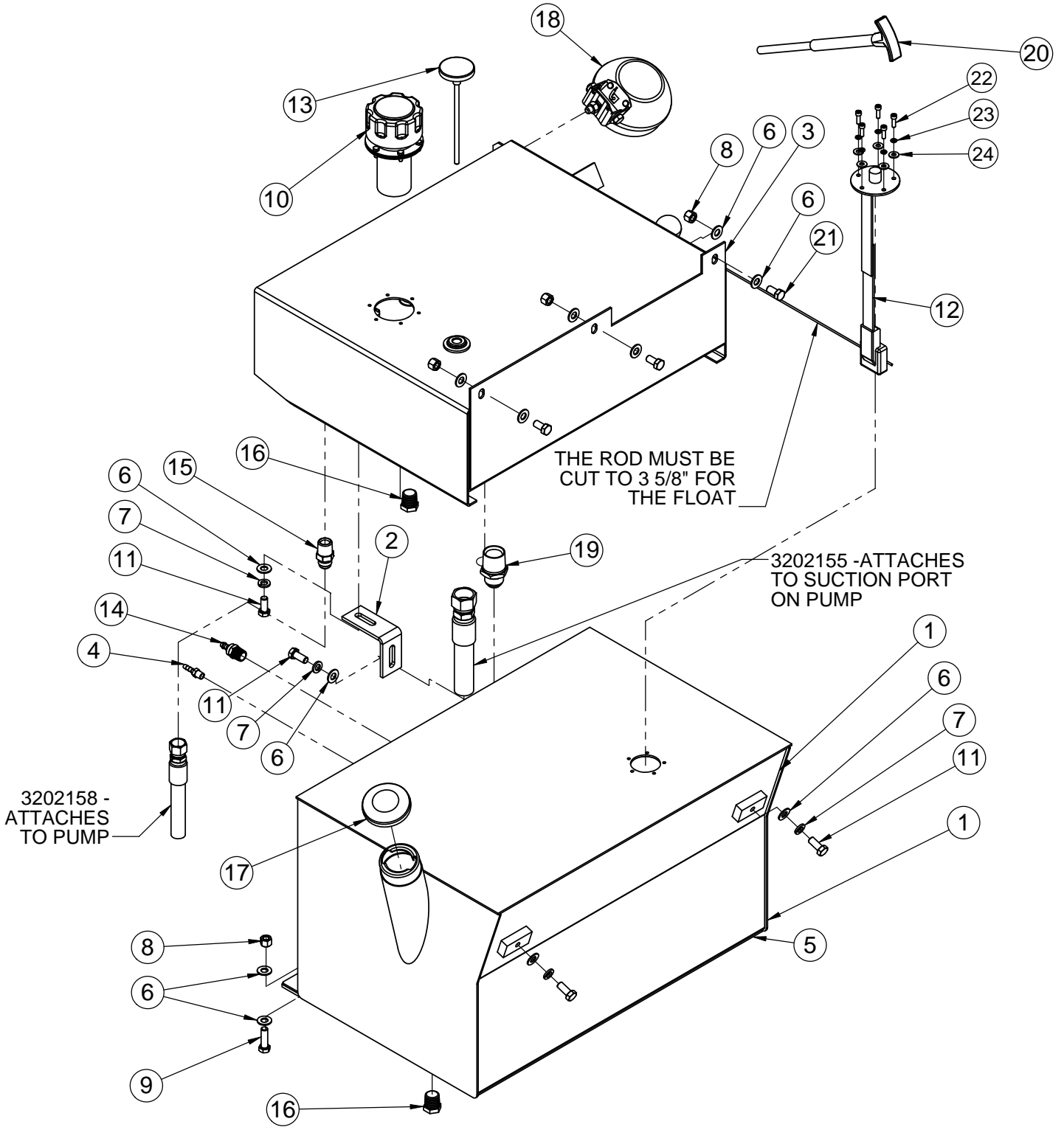
Fuel and Hydraulic Components #6046612



Fuel and Hydraulic Components #6046612

ITEM	PART NO.	QTY.	DESCRIPTION
1	6043370	1	Fuel Tank
2	6045318	1	Hydraulic Tank Assembly
3	2501510	1	Throttle Cable
4	2501546	1	Sending Unit, Fuel
5	2800459	1	Thermometer, 2", 0 - 200 F
6	6043372	1	Tank Bracket
7	2500199	1	Fuel Tank Cap (Steel)
8	2900014	16	Flat Washer, 3/8" SAE
9	2900018	7	Lock Nut, 3/8-16 Nylon
10	2900196	5	Cap Screw, Hex Hd., 3/8-16 x 3/4"
11	2900013	4	Cap Screw, Hex Hd., 3/8-16 x 1-1/4"
12	2900006	2	Lock Washer, 3/8" Split
13	2900677	5	Lock Washer, #8 Split
14	2900526	5	Machine Screw, Hex. Hd., #8-32 x 1/2
15	3200018	1	Fitting, 1/8" M. Pipe to 1/4" Hose Barb
16	3200070	1	Fitting, 3/8" MPT to 1/4" Pushlok
17	2500194	1	Spot Light, 12 Volt
18	3200751	1	1"MPT-3/4"MJIC Straight
19	3200283	1	Adapter, 1/2" M. Pipe x 1/2" M. JIC

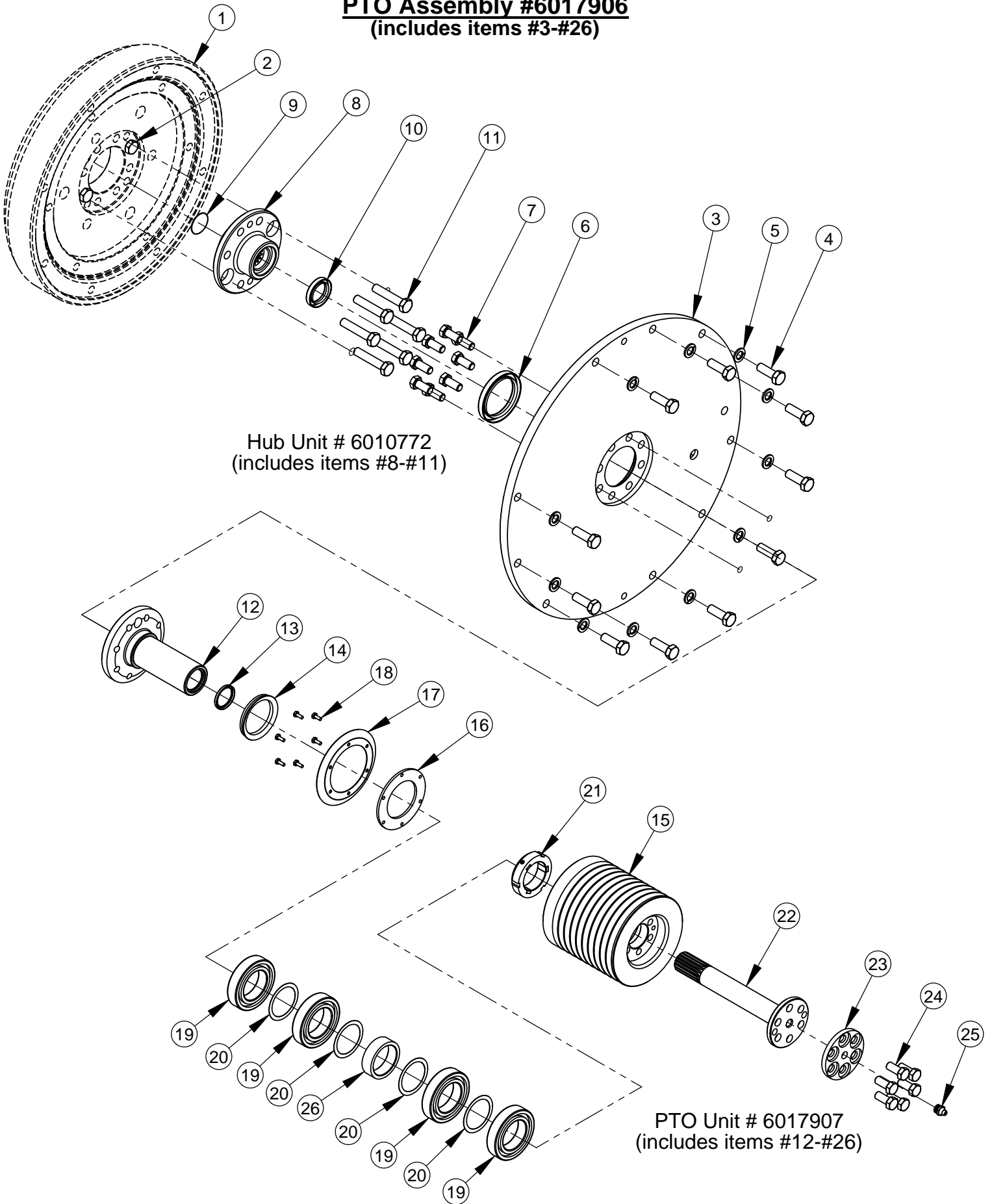
Fuel and Hydraulic Components #6046012



Fuel and Hydraulic Components #6046012

ITEM	PART NO.	QTY	DESCRIPTION
1	6043445	1	Fuel Tank
2	6043256	1	Tank Connector Plate
3	6043258	1	Hydraulic Tank
4	3200018	1	Fitting, 1/8" M. Pipe to 1/4" Hose Barb
5	6043494	1	Fuel Tank Pad CC7878
6	2900014	14	Flat Washer, 3/8" SAE
7	2900006	4	Lock Washer, 3/8" Split
8	2900018	5	Lock Nut, 3/8-16 Nylon
9	2900013	2	Cap Screw, Hex Hd., 3/8-16 x 1-1/4"
10	2401305	1	Filler/Breather Cap (Top Mount)
11	2900621	4	Cap Screw, Hex Hd., 3/8-16 x 7/8"
12	2501546	1	Sending Unit, Fuel
13	2800459	1	Thermometer, 2", 0 - 200 F
14	3200070	1	Fitting, 3/8" MPT to 1/4" Pushlok
15	3200283	1	Adapter, 1/2" M. Pipe x 1/2" M. JIC
16	3200160	2	Plug, 1/2-14 NPT
17	2500199	1	Fuel Tank Cap (Steel)
18	2500194	1	Spot Light, 12 Volt
19	3200751	1	1"MPT-3/4"MJIC Straight
20	2501510	1	Throttle Cable
21	2900196	3	Cap Screw, Hex Hd., 3/8-16 x 3/4"
22	2900087	5	Cap Screw, Soc. Hd., #10-32 x 5/8"
23	2900038	5	Lock Washer, #10 Split
24	2900016	5	Flat Washer, #10 USS

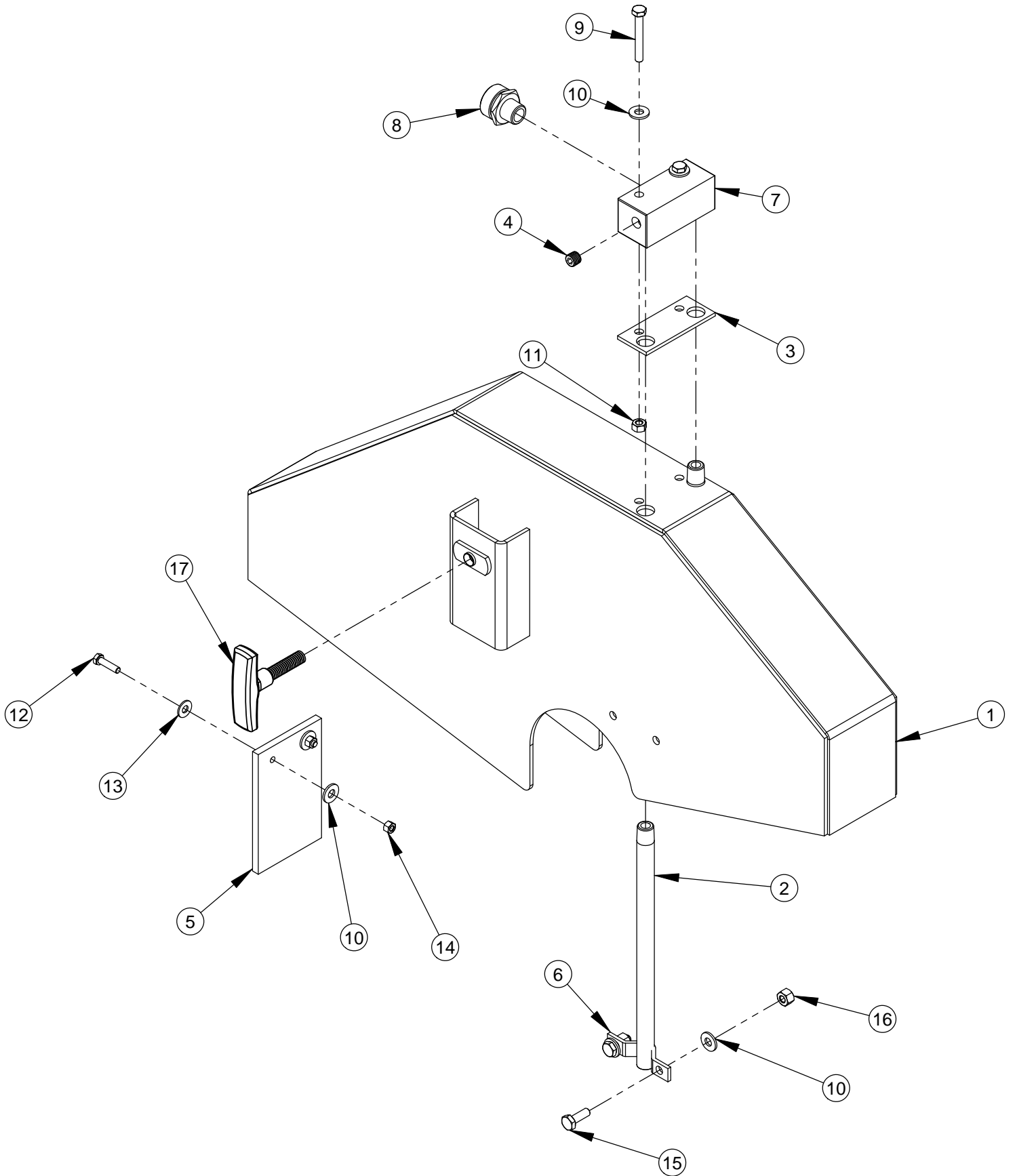
PTO Assembly #6017906
(includes items #3-#26)



PTO Assembly #6017906
(includes items #3-#26)

ITEM NO.	PART NUMBER	QTY.	DESCRIPTION
1	2701276	1	Flywheel, Deutz Engine
2	2702756	2	Cap Screw, Hex Hd., M10-1.0 x 40mm
3	6010352	1	Inner Ring Support
4	2900223	11	Cap Screw, Hex Hd., M10 x 30mm
5	2900321	11	Lock Washer, M10 Split
6	2501983	1	Seal, 2" x 2-5/8" x 5/16"
7	2900621	8	Cap Screw, Hex Hd., 3/8-16 x 7/8"
8	2501721	1	Coupling Hub
9	2501670	1	Hubbard Plug, 1-1/8"
10	2501714	1	Seal, 1" x 1-1/2" x 1/4"
11	2900633	6	Cap Screw, Hex Hd., M10-1.0 x 50mm
12	2501717	1	Shaft Support Sleeve
13	2501984	1	Seal, 1" x 1-1/4" x 1/8"
14	2500751	1	Seal, 1-3/4" V-Ring
15	2501789	1	Sheave, 4.75 x 10 Groove
16	2501719	1	Bearing Retainer Plate
17	2501998	1	Grease Slinger Disc
18	2900624	6	Machine Screw, Hex Hd., #6-32 x 3/8"
19	2501986	4	Ball Bearing, 40mm x 68mm x 15mm
20	2501747	4	Shim, 40mm x 50mm x 0.1mm
21	2900654	1	Bearing Lock Nut, 1-9/16"-18
22	2501720	1	Splined Drive Shaft
23	2501985	1	Grease Disc
24	2900954	6	Cap Screw, Hex Hd., 3/8-24 x 7/8"
25	2900062	1	Grease Fitting, 1/8" NPT
26	6046020	1	PTO Bearing Spacer

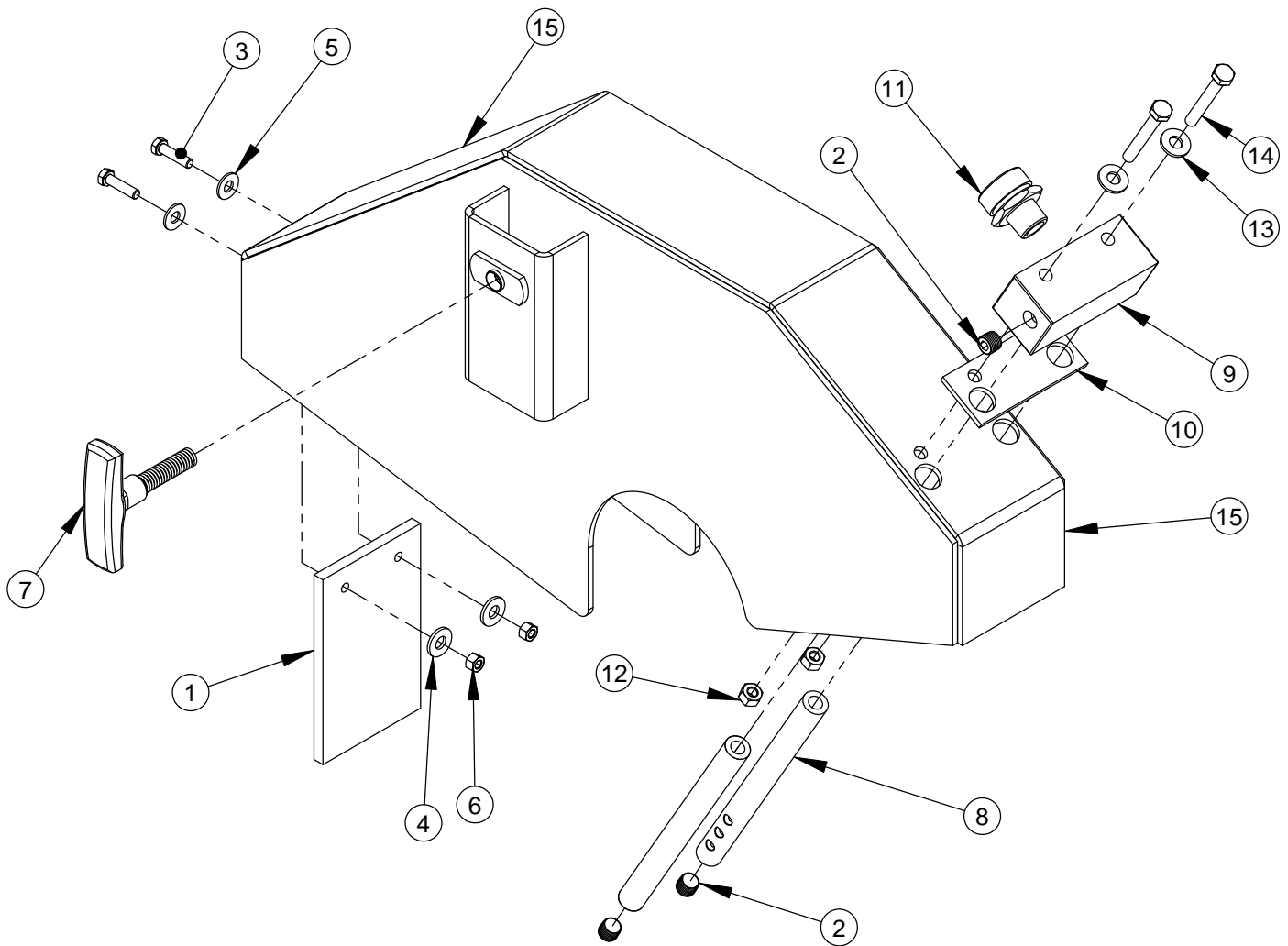
20" Blade Guard Assembly #6043368



20" Blade Guard Assembly #6043368

ITEM	PART NO.	QTY.	DESCRIPTION
1	6047214	1	20" Blade Guard Weldment
2	6010085	2	Water Tube for 20" Guard
3	2500829	1	Water Manifold Gasket
4	3200001	3	Plug, 1/8" NPT
5	6048039	1	Splash Flap
6	6048155	2	Water Tube Clamp
7	6048123	1	Water Manifold
8	3200002	1	Fitting, 3/4" M. Pipe to 3/4" M. Garden
9	2900244	2	Cap Screw, Hex Hd., M6 x 45mm
10	2900009	8	Flat Washer, 1/4" SAE
11	2900302	2	Lock Nut, M6 Nylon
12	2900309	2	Cap Screw, Hex Hd., M5 x 20mm
13	2900016	2	Flat Washer, #10 USS
14	2900301	2	Lock Nut, M5 Nylon
15	2900144	4	Cap Screw, Hex Hd., 1/4-20 x 3/4"
16	2900010	4	Lock Nut, 1/4-20 Nylon
17	2400199	1	Locking Knob 3/8 Stud

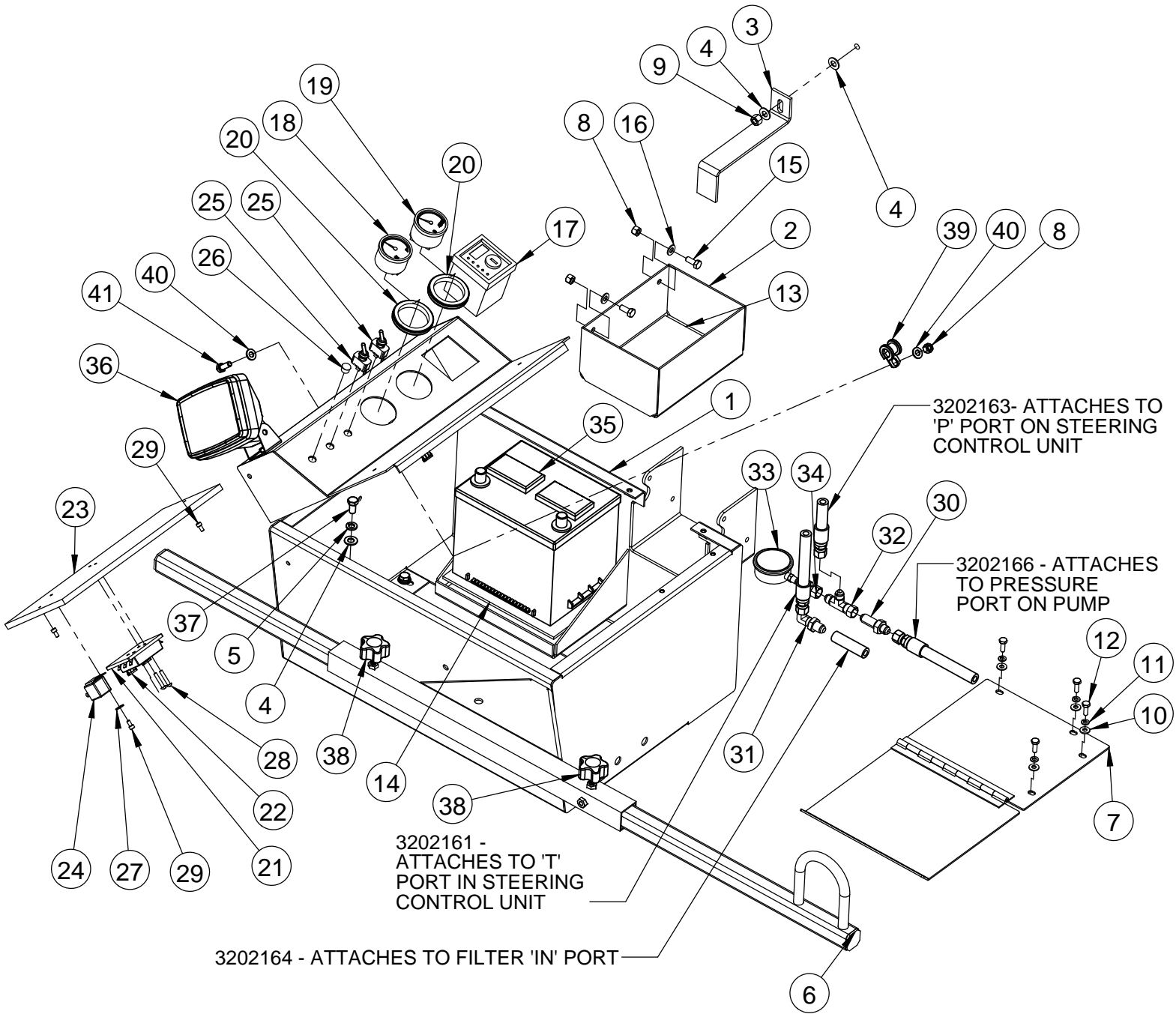
14" Blade Guard Assembly #6046030



14" Blade Guard Assembly #6046030

ITEM	PART NO.	QTY.	DESCRIPTION
1	6048039	1	Splash Flap
2	3200001	3	Plug, 1/8" NPT
3	2900309	2	Cap Screw, Hex Hd., M5 x 20mm
4	2900009	2	Flat Washer, 1/4" SAE
5	2900016	2	Flat Washer, #10 USS
6	2900301	2	Lock Nut, M5 Nylon
7	2400199	1	Locking Knob 3/8 Stud
8	6043289	2	14" Spray Tubes
9	6048123	1	Water Manifold
10	2500829	1	Water Manifold Gasket
11	3200002	1	Fitting, 3/4" M. Pipe to 3/4" M. Garden
12	2900302	2	Lock Nut, M6 Nylon
13	2900009	2	Flat Washer, 1/4" SAE
14	2900244	2	Cap Screw, Hex Hd., M6 x 45mm
15	6043288	1	14" Blade Guard Weldment

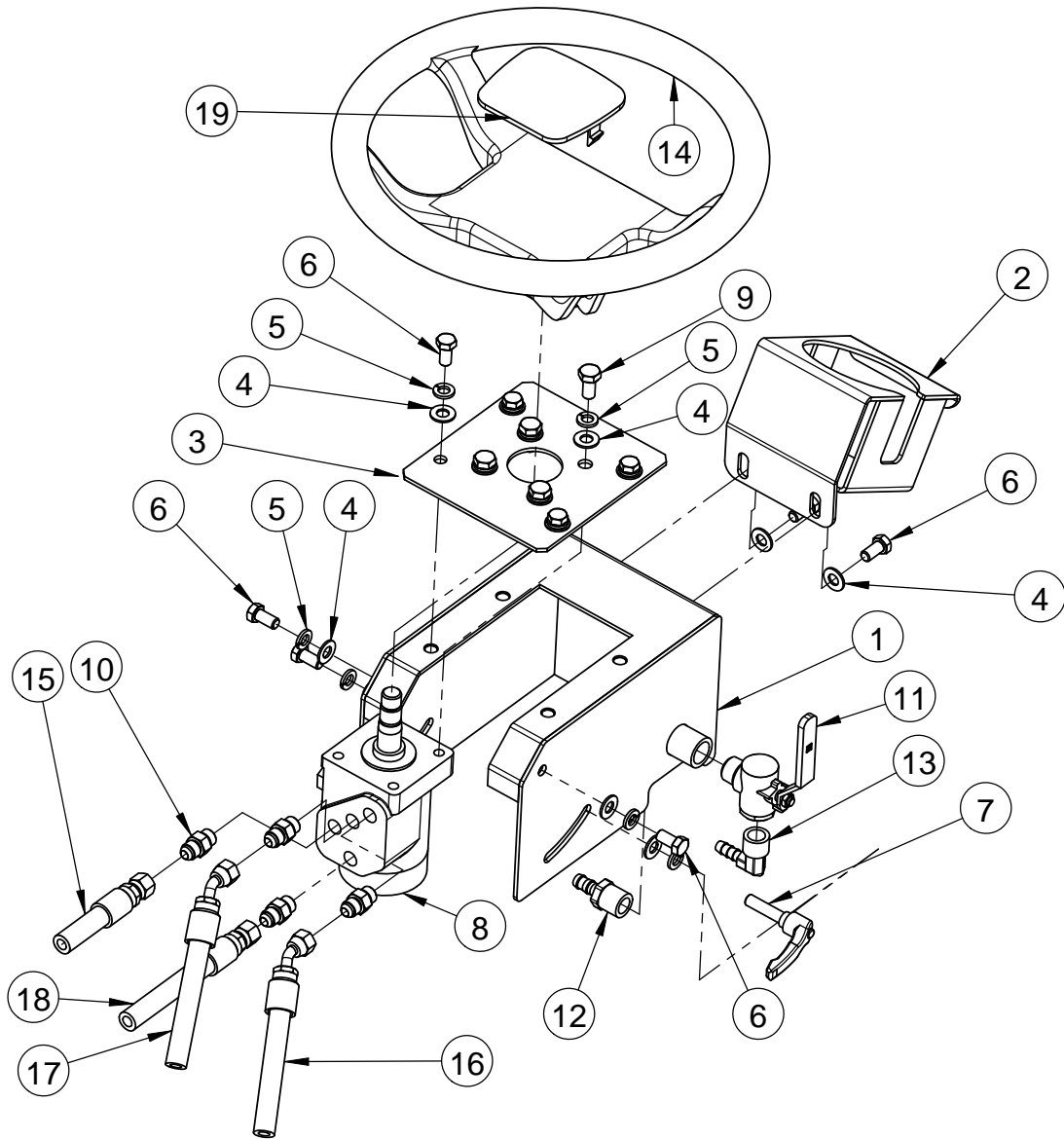
Console Components #6046005



Console Components #6046005

ITEM	PART NO.	QTY	DESCRIPTION
1	6043260	1	Console Weldment
2	6043262	1	Tool Box
3	6043261	1	Battery Hold Down
4	2900014	12	Flat Washer, 3/8" SAE
5	2900006	10	Lock Washer, 3/8" Split
6	6043263	1	Hose Support Tube Weldment
7	6043606	1	Access Panel Weldment
8	2900039	3	Lock Nut, 5/16-18 Nylon
9	2900018	1	Lock Nut, 3/8-16 Nylon
10	2900009	4	Flat Washer, 1/4" SAE
11	2900024	4	Lock Washer, 1/4" Split
12	2900144	4	Cap Screw, Hex Hd., 1/4-20 x 3/4"
13	6043496	1	Tool Box Pad CC7878
14	6043493	1	Battery Pad CC7878
15	2900019	2	Cap Screw, Hex Hd., 5/16-18 x 3/4"
16	2900022	2	Flat Washer, 5/16" SAE
17	2702795	1	Ignition Switch Micro
18	2800458	1	Fuel Gauge
19	2800457	1	Tachometer
20	2504452	2	Grommett 2"
21	2800388	1	Fuse Panel, 6 Circuit
22	2800389	3	Fuse, 10 Amp Red ATO/ATC
23	6046017	1	Electrical Panel
24	2800456	1	Relay
25	2800470	2	Toggle Switch
26	2500204	1	Plug, 1/2" Hole
27	2900016	1	Flat Washer, #10 USS
28	2900967	2	Machine Screw, Rd. Hd., #10-24 x 1"
29	2900117	3	Cap Screw, Soc. Hd., #10-24 x 3/8"
30	3202211	1	3/8"M.JIC Bulkhead
31	3201464	1	Fitting, 3/8" M. JIC Bulkhead Elbow
32	3202212	1	Swivel Nut Run Tee -6 JIC
33	3201267	1	Pressure Gage, 2000 PSI
34	3202213	1	1/4F.NPT-3/8F.JIC Adaptor
35	2800561	1	Battery, 12 Volt Group Size 26
36	2501517	1	Dual Beam Light
37	2900196	10	Cap Screw, Hex Hd., 3/8-16 x 3/4"
38	2400157	2	Hand Lock Knob, 5/16-18 x 1"
39	2501434	1	Hose Clamp, 5/8" x 3/4" Wide
40	2900022	2	Flat Washer, 5/16" SAE
41	2900668	1	Cap Screw, Hex Hd., 5/16-18 x 7/8"

Steering Control Unit Assembly #6046029

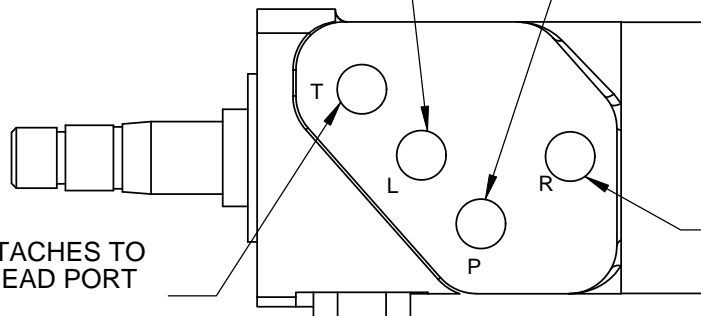


3202160 - ATTACHES TO THE BOTTOM PORT OF THE ROTARY ACTUATOR

3202163 - ATTACHES TO FRONT BULKHEAD PORT

3202161 - ATTACHES TO REAR BULKHEAD PORT

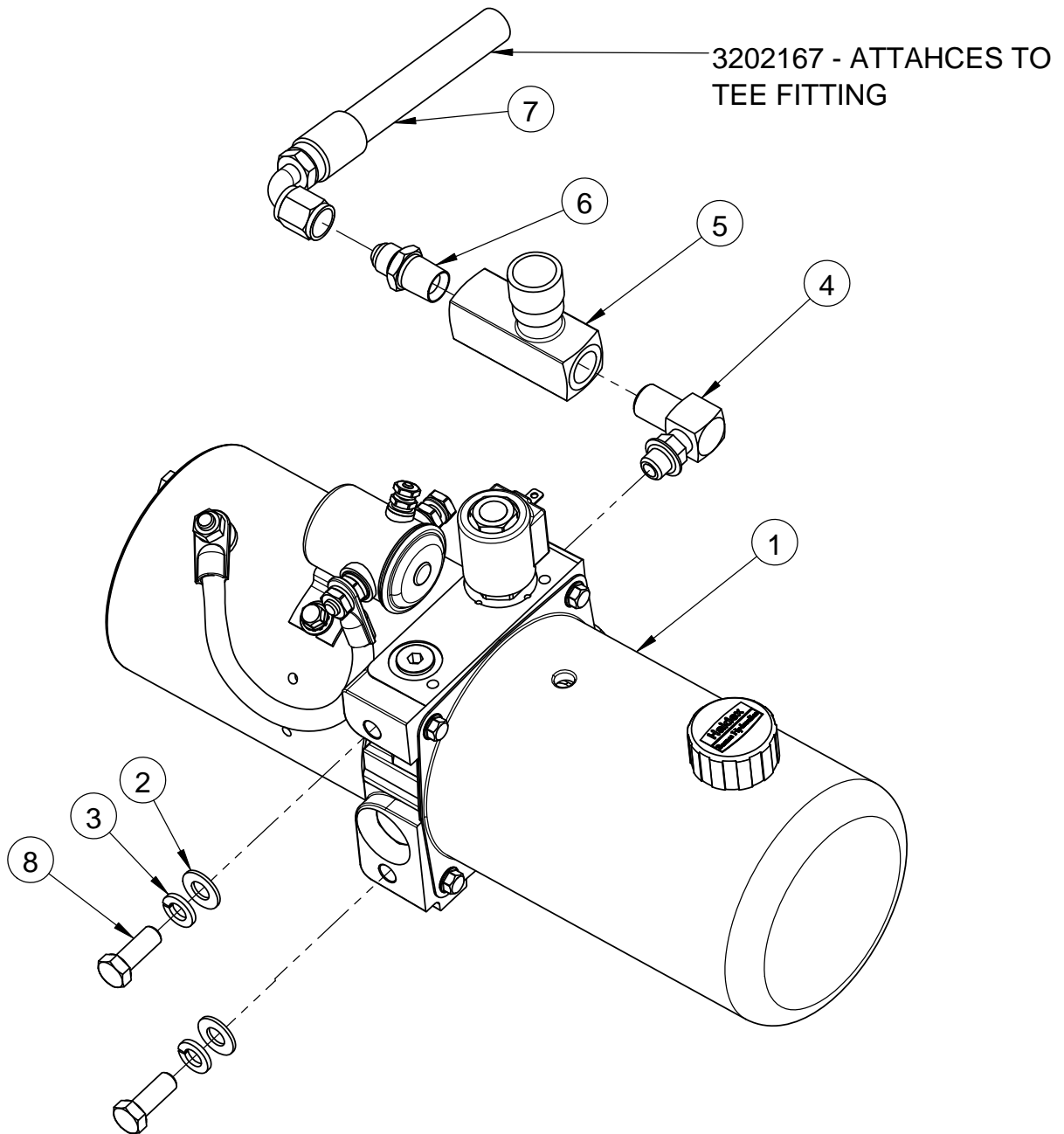
3202162 - ATTACHES TO THE TOP PORT OF THE ROTARY ACTUATOR



Steering Control Unit Assembly #6046029

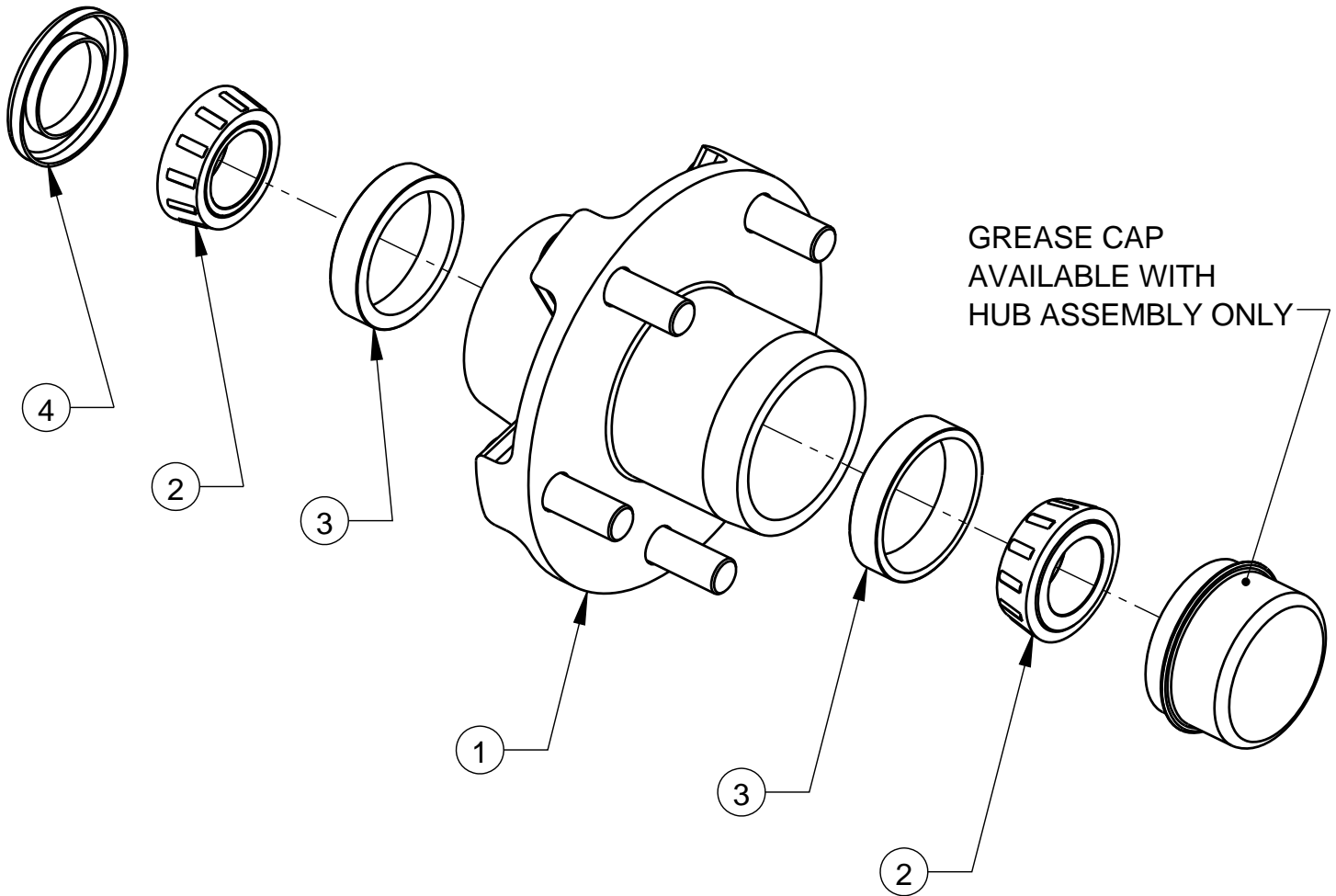
ITEM	PART NO.	QTY	DESCRIPTION
1	6043245	1	Steering Mount Weldment
2	6043244	1	Cup Holder Weldment
3	6043246	1	Steering Mount Plate
4	2900014	14	Flat Washer, 3/8" SAE
5	2900006	12	Lock Washer, 3/8" Split
6	2900196	9	Cap Screw, Hex Hd., 3/8-16 x 3/4"
7	2500577	1	Lever, Adjustable 3/8-16"
8	2600334	1	Steer Control Unit
9	2900314	4	Cap Screw, Hex Hd., M10 x 20mm
10	3200263	4	Adapter, 3/8" O-Ring to 3/8" M. JIC
11	3200521	1	Ball Valve-.50- 90 Degree
12	3200517	1	1/2"X3/8" Hose Barb Strait (Brass)
13	3200516	1	1/2" X 3/8" Hose Barb
14	2501170	1	Steering Wheel 14" DIA
15	3202163	1	Hyd Hose Orbital "P" Port to Front Bulkhead
16	3202161	1	Hyd Hose Orbital "T" Port to Rear Bulkhead
17	3202160	1	Hyd Hose to Bottom Rotary Act Port to "L" Orbital Port
18	3202162	1	Hyd Hose Top Rotary Act Port to "R" Orbital Port
19	2501176	1	Steering Wheel Cap

Hydraulic Lift Pump Assembly #6046028



ITEM	PART NO.	QTY	DESCRIPTION
1	2600070	1	Hydraulic Pump Unit
2	2900014	2	Flat Washer, 3/8" SAE
3	2900006	2	Lock Washer, 3/8" Split
4	3200389	1	3/8" O-Ring TO 3/8" M. Pipe
5	3200528	1	Flow Control Valve
6	3201467	1	Fitting, 3/8" M. JIC to 3/8" M. Pipe
7	3202167	1	Hyd Hose Cylinder Tee to Power Unit
8	2900005	2	Cap Screw, Hex Hd., 3/8-16 x 1"

Hub Assembly #6043274

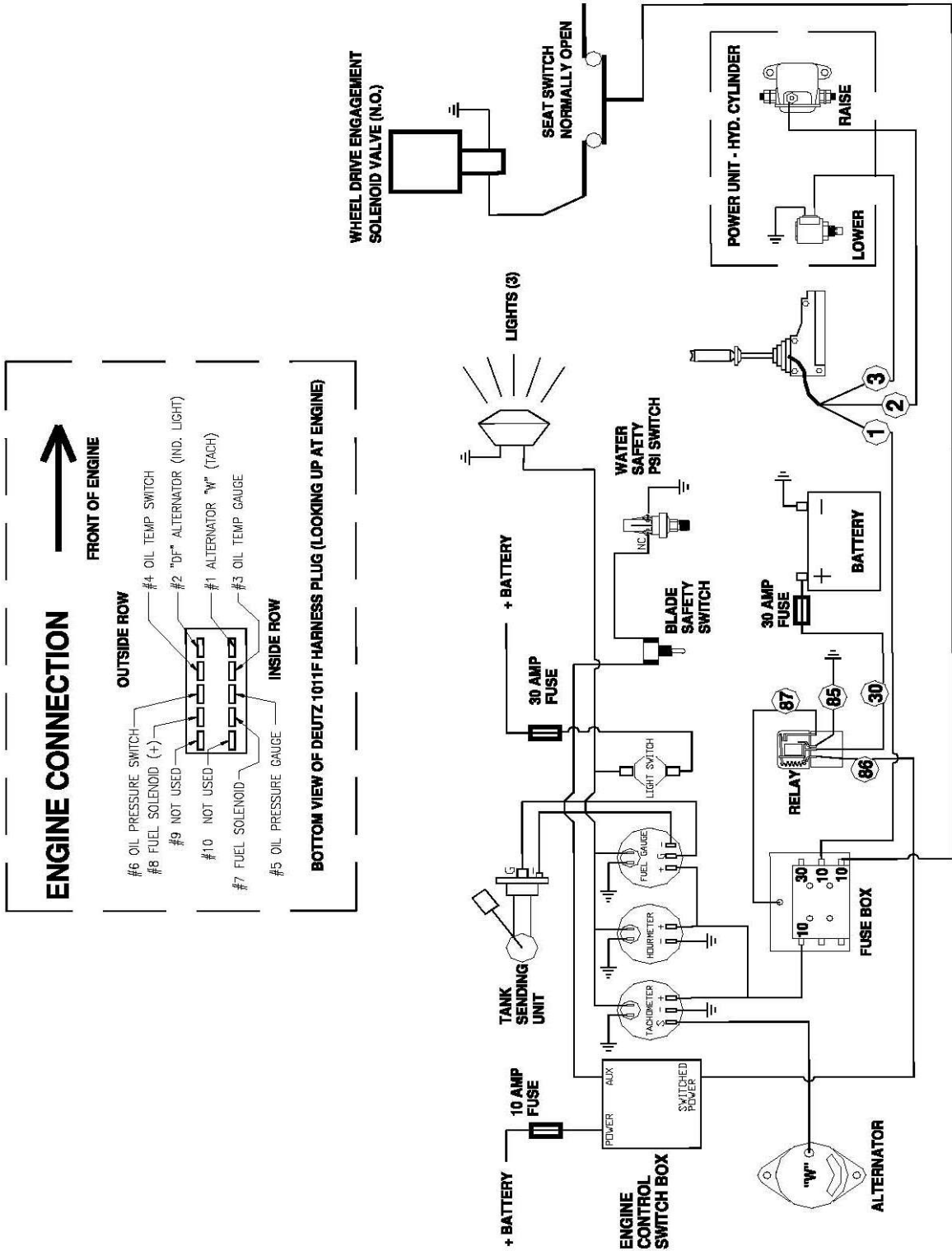


ITEM	PART NO.	.QTY.	DESCRIPTION
1	6043274	1	Hub
2	2501221	2	Taper-Roller Bearing
3	2501222	2	Bearing cup
4	2501223	1	Lip Seal

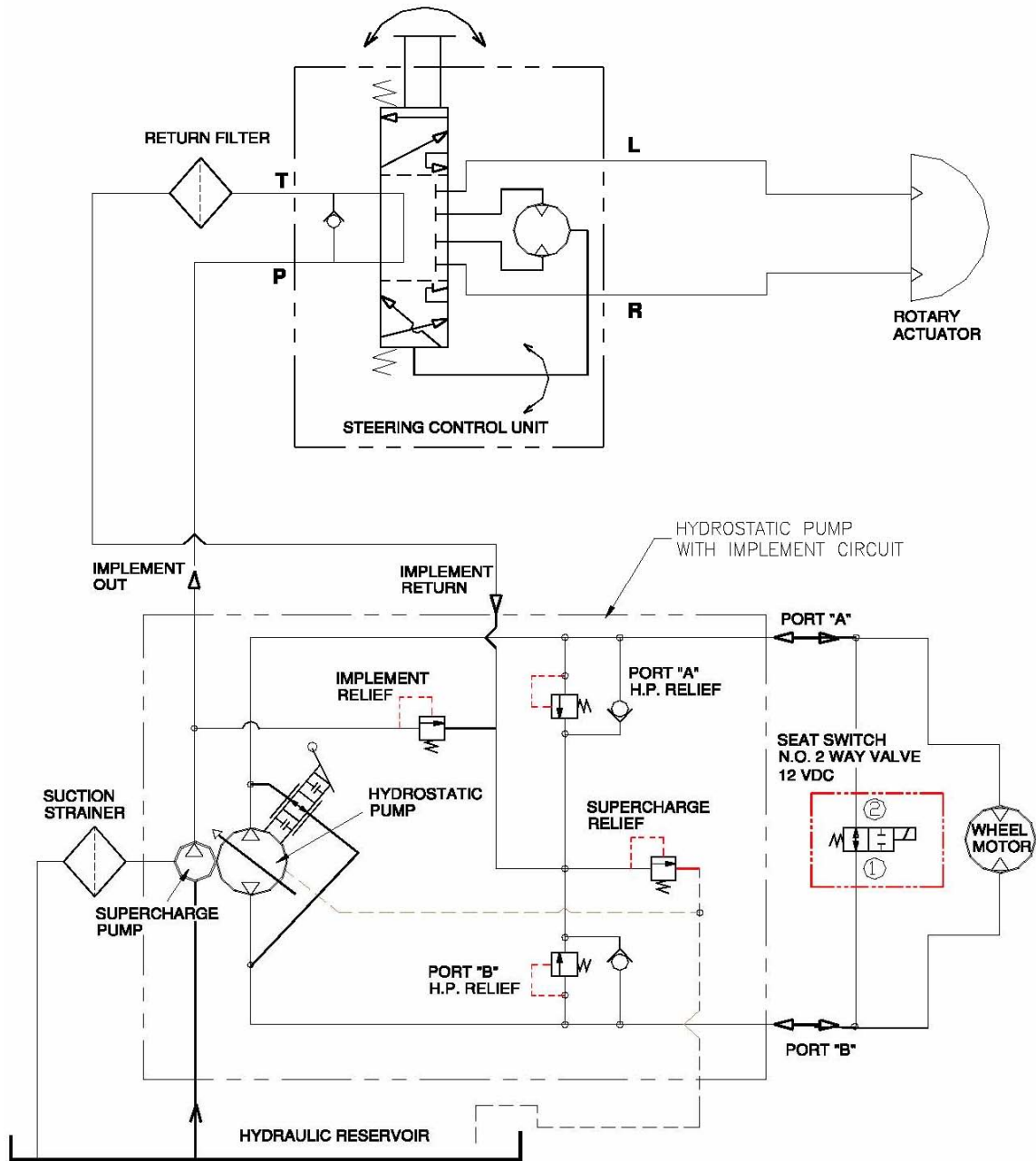
*Apply grease to taper bearings before assembly

**A replacement kit consisting of two taper bearings and one seal is available as part number 6043612

Electrical Schematic

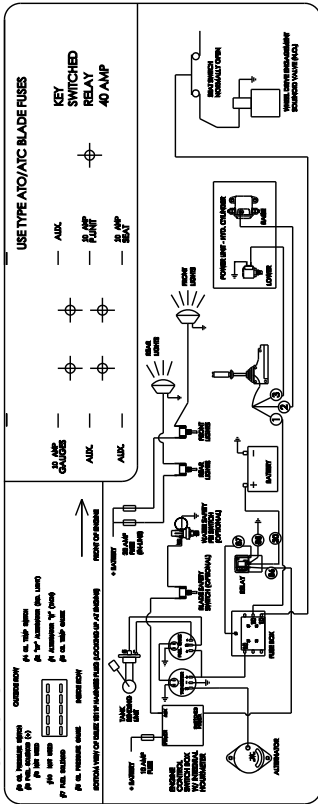


Hydraulic Schematic



1800726 - E-Z Rider Decal Set

1801043



1801041

WARNING: TO PREVENT BODILY INJURY

- WEAR LONG PANTS.
- WEAR HIGH TOP SAFETY SHOES.
- WEAR FACE MASK OR EYE PROTECTION
- NEVER LEAVE MACHINE UNATTENDED WHILE RUNNING
- NEVER OPERATE UNLESS ALL GUARDS ARE IN PLACE

READ OWNERS MANUAL BEFORE OPERATING

CC7878 EZ RIDER JOINT SAW

ON (+) OFF (-)

REAR LIGHT

FRONT LIGHTS

FUEL LEVEL

ENGINE RPM

BLADE SAFETY (OPERATOR) ON FOR WEAVING

WARNING: TO PREVENT BODILY INJURY

NEVER OPERATE WITHOUT PROTECTIVE EQUIPMENT. ALWAYS WEAR YOUR SAFETY GEAR. ALWAYS USE THE SAFETY SWITCHES AS INDICATED BY THE LIGHT PAINT MARKS.

1801042

MAINTENANCE
And Inspection Schedule

WARNING: TO PREVENT BODILY INJURY

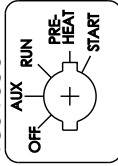
WHEN CHANGING BLADE SIZE, ADJUST ENGINE RPM ACCORDING TO THE RPM CHART TO MATCH RECOMMENDED BLADE RPM. NEVER EXCEED MAXIMUM RPM STAMPED ON BLADE.

Blade Size	Typical RPM *
12	2865-3505
14	2460-3005
16	2155-2630
18	1910-2630
20	1720-2100

*BASED ON 800 TO 1100 SQUARE FEET PER MINUTE

Check engine oil -----Daily
 Check air cleaner-shake out loose dirt -----Daily
 Check arbor bearings DO NOT overgrease -----Daily
 Check hydraulic oil level -----Daily
 Check air cleaner connections -----Daily
 Check belt tension and condition -----Daily
 Inspect blade shaft, pin and collars -----25 hrs
 Grease output shaft bearing DO NOT overgrease 50 hrs
 Service air cleaner element -----50 hrs
 Inspect air cleaner for wear and cracks -----100 hrs
 Change engine oil -----100 hrs
 Change engine oil and filter -----100 hrs

1801050



1801047

HYDRAULIC OIL

CHECK HYDRAULIC OIL LEVEL BEFORE STARTING.
 1. OIL LEVEL CORRECT WHEN VEHICLE IS FULLY RAISED
 2. THE CAP MUST BE TIGHTENED

1801046

DIESEL FUEL ONLY

MANUFACTURER RECOMMENDS
 THE GENERAL AUTOMOTIVE LABEL ENGINE
 ALL PURPOSE FUEL OIL OR EQUIVALENT
 WHICH MEETS THE API CE OIL REQUIREMENTS.

1801045

WATER VALVE

ON OFF

SET FLOW VOLUME TO BLADE GUARD AND JOINT CLEANER WITH (2) VALVES LOCATED UNDER THE SPEED CONTROL LEVER

1801044

JOINT CLEANER

BLADEGUARD

INCREASE FLOW

WARNING:

TO PREVENT BODILY INJURY

GUARD MUST BE IN PLACE WHEN ENGINE IS RUNNING REMOVE FOR MAINTENANCE PURPOSES ONLY!



1801053

WARNING: TO PREVENT BODILY INJURY

NEVER OPERATE WITHOUT PROTECTIVE EQUIPMENT. ALWAYS WEAR YOUR SAFETY GEAR. ALWAYS USE THE SAFETY SWITCHES AS INDICATED BY THE LIGHT PAINT MARKS.

1801051

GREASE FITTING LOCATION

1801049

WARNING: TO PREVENT BODILY INJURY

STAY CLEAR OF BLADE WHILE ENGINE IS RUNNING

1801048

WARNING: TO PREVENT BODILY INJURY

STAY CLEAR OF BLADE WHILE ENGINE IS RUNNING

1801054

NOTE!

LOOSEN ALL (4) ENGINE MOUNT BOLTS LOCATED ON SIDE OF FRAME BEFORE ADJUSTING BELT TENSIONING BOLT FAILURE TO LOOSEN THESE BOLTS WILL DAMAGE THE SYSTEM.

TIGHTEN (CCW)

LOOSEN (CW)

Additional E-Z Rider Labels

EZ-RIDER

CORE  UT CC7878

1800679 - E-Z Rider CC7878 LG Decal (17.25" x 6.50")

EZ-RIDER

CORE  UT CC7878

1800679 - E-Z Rider CC7878 LG Decal (17.25" x 6.50")

EQUIPMENT AND PARTS WARRANTY

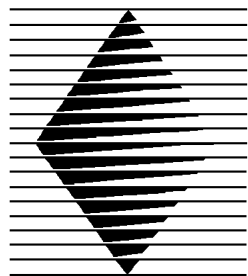
Diamond Products warrants all equipment manufactured by it against defects in workmanship or materials for a period of one (1) year from the date of shipment to Customer.

The responsibility of Diamond Products under this Warranty is limited to replacement or repair of defective parts at Diamond Products' Elyria, Ohio factory, or at a point designated by it, of such parts as shall appear to us upon inspection at such parts, to have been defective in material or workmanship, with expense for transportation and labor borne by Customer.

In no event shall Diamond Products be liable for consequential or incidental damages arising out of the failure of any Product to operate properly.

Integral units such as engines, electric motors, batteries, transmissions, etc., are excluded from this Warranty and are subject to the prime manufacturer's warranty.

THIS WARRANTY IS IN LIEU OF ALL OTHER WARRANTIES, EXPRESSED OR IMPLIED, AND ALL SUCH OTHER WARRANTIES ARE HEREBY DISCLAIMED.



DIAMOND PRODUCTS

333 Prospect Street, Elyria, Ohio 44035
(440) 323-4616 • (800) 321-5336 • Fax (440) 323-8689
www.diamondproducts.com