



CONCRETE SAW PARTS LIST

**MODEL
CC8000**

April 2014

Part #1800451

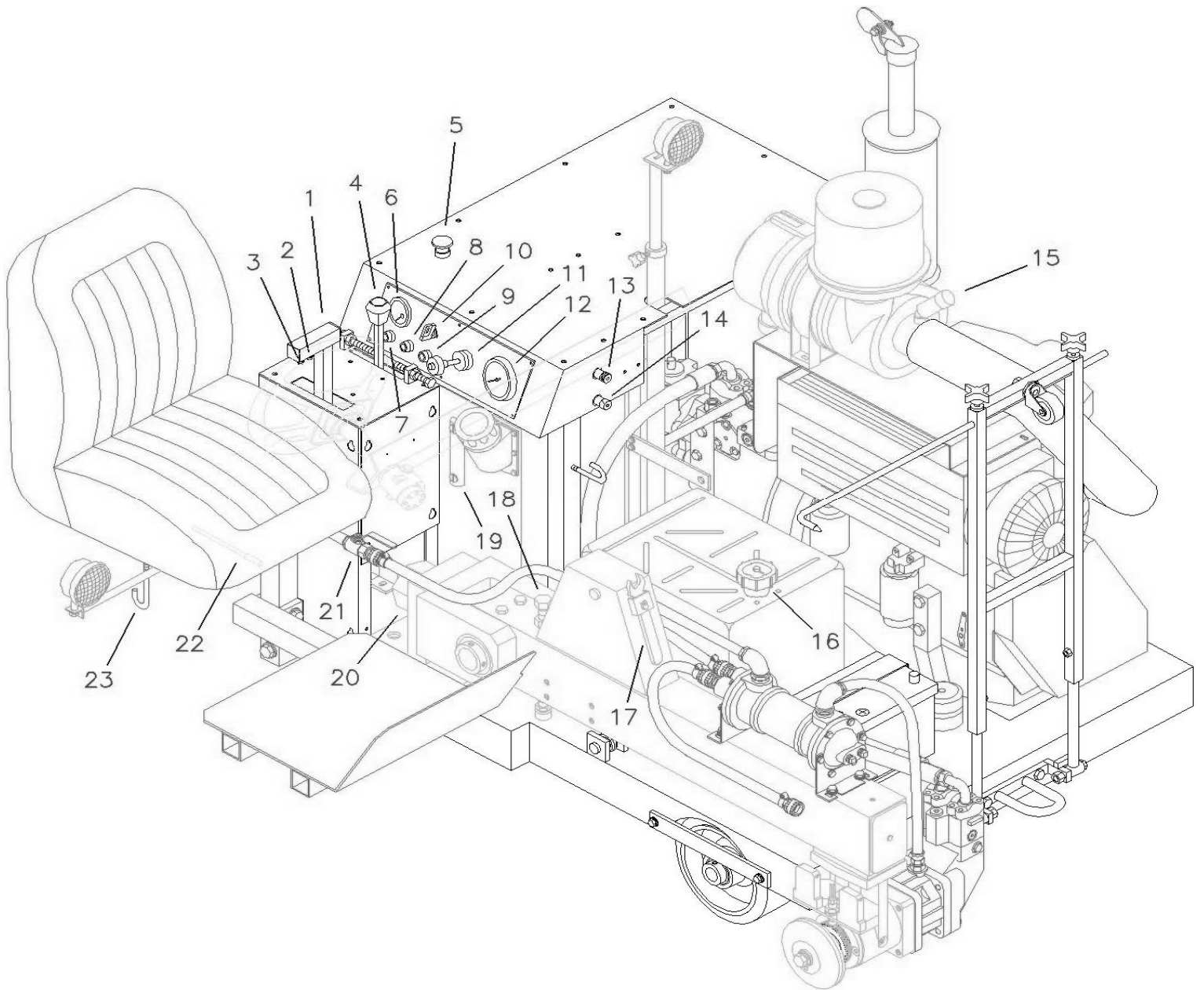
Table of Contents

<u>Description</u>	<u>Page No.</u>
Saw Controls Legend.....	3
Drawing 1. Frame Group.....	4 - 5
Drawing 2. Arm Assembly.....	6 - 7
Drawing 3. Hydraulics Group A.....	8 - 9
Drawing 4. Hydraulics Group B.....	10 - 11
Drawing 5. Power Steering Group.....	12 - 13
Drawing 6. Engine Group.....	14 - 15
Air Cleaner Assembly.....	16
Muffler Assembly.....	17
Drawing 7. Light, Pointer, Water Pump Group.....	18 - 19
Drawing 8. Blade Guard Assembly.....	20 - 21
Drawing 9. Plunge Cut Assembly.....	22 - 23
Drawing 10. Pressure Limiter Assembly.....	24 - 25
Drawing 11. Slot Cutter Attachment.....	26 - 27
Drawing 12. Hydraulic Circuit Schematic.....	28 - 29
Drawing 13. Wiring Diagram.....	30 - 31
Angle Arm Option.....	32
Dust Collector Option.....	34 - 39
Strobe Light Option.....	40
Tiller Steering Option.....	41
Decal Sheet.....	42
Blade Speed (RPM) Chart.....	43
Warranty.....	Rear Cover

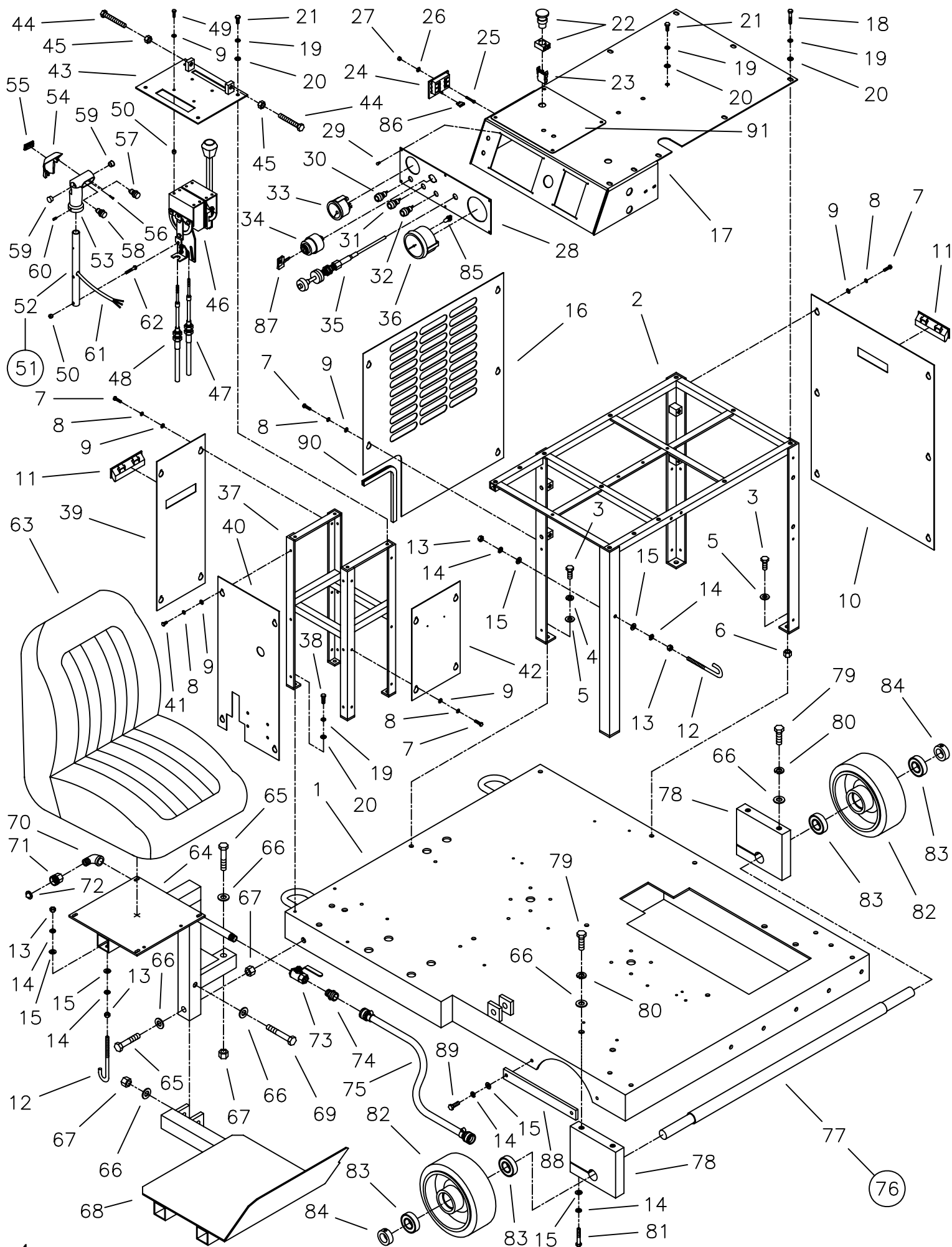
Quick Reference Service Filters

<u>Part No.</u>	<u>Description</u>	<u>Manufacturer's Part No.</u>
2701775	Engine Oil Filter	(Deutz #1174416)
2701339	Engine Fuel Filter	(Deutz #1174482)
2500474	In-line Fuel Tank Filter	(Fram #G2)
2505020	Primary Air Filter Element	(Donaldson #P608533)
2503681	Secondary Air Filter Element	(Donaldson #P600975)
2702208	Hydraulic Oil Filter, Pump	(Sauer Danfoss #9700810)
3200486	Hydraulic Oil Filter, Remote	(Arlon Parker #FA35-CC10)

Saw Controls Legend

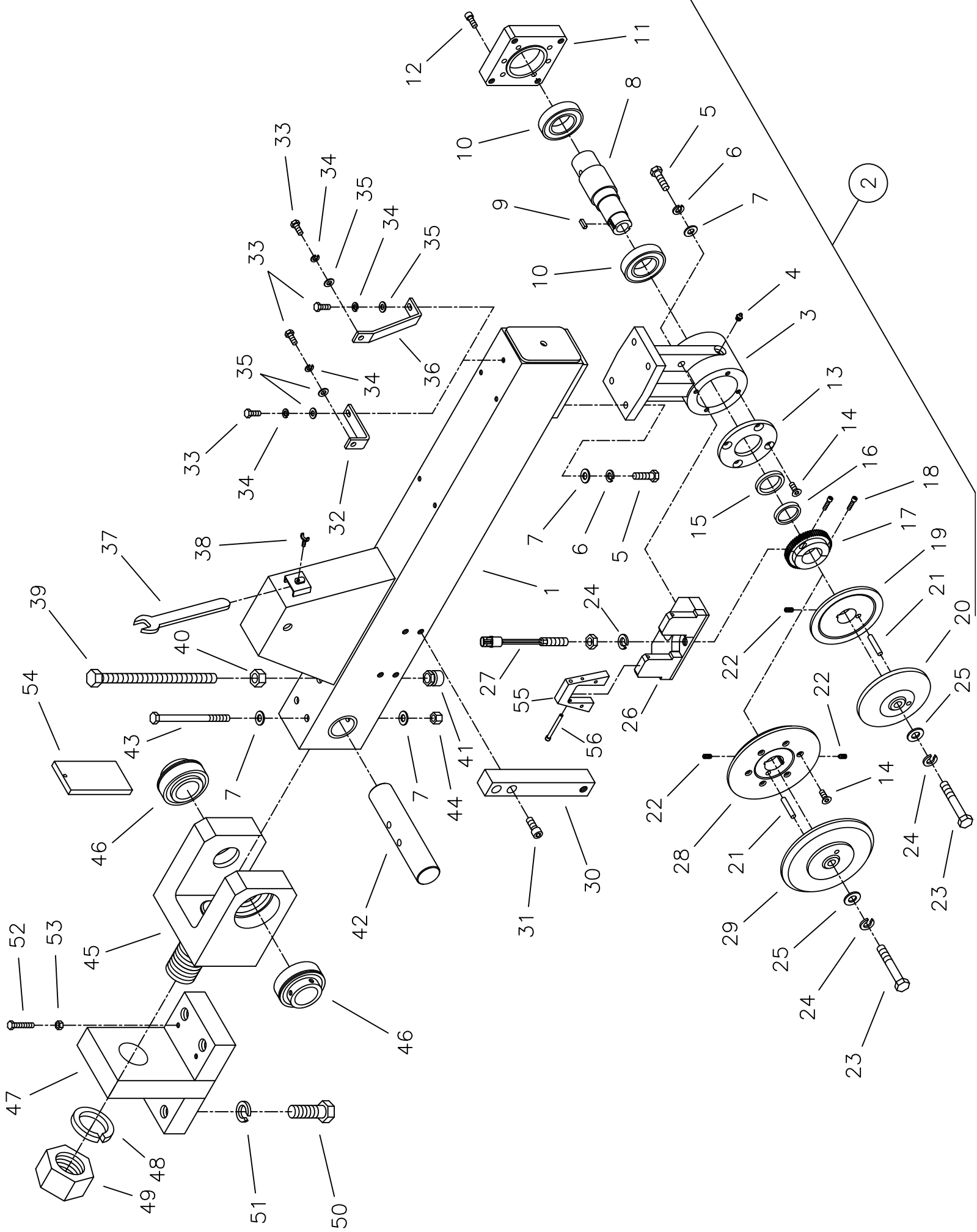


- | | |
|---------------------------------|---------------------------------------|
| 1. Travel Speed Control Lever | 12. Blade Tachometer / Hour Meter |
| 2. Blade Raise Pushbutton | 13. Blade Raising Speed Control |
| 3. Blade Lower Pushbutton | 14. Blade Lowering Speed Control |
| 4. Blade Speed Control Lever | 15. Air Cleaner Restriction Indicator |
| 5. Emergency Stop Button | 16. Fuel Tank Cap / Gauge |
| 6. Engine Temperature Gauge | 17. Blade Shaft Wrench |
| 7. Engine Alternator Light | 18. Blade Depth Stop Bolt |
| 8. Engine Oil Temperature Light | 19. Hydraulic Oil Temperature Gauge |
| 9. Engine Oil Pressure Light | 20. Blade Angle Adjustment Nut |
| 10. Ignition Switch | 21. Water Control Valve |
| 11. Vernier Throttle Control | 22. Seat Adjustment Lever |
| | 23. Water Supply Hose Hook |



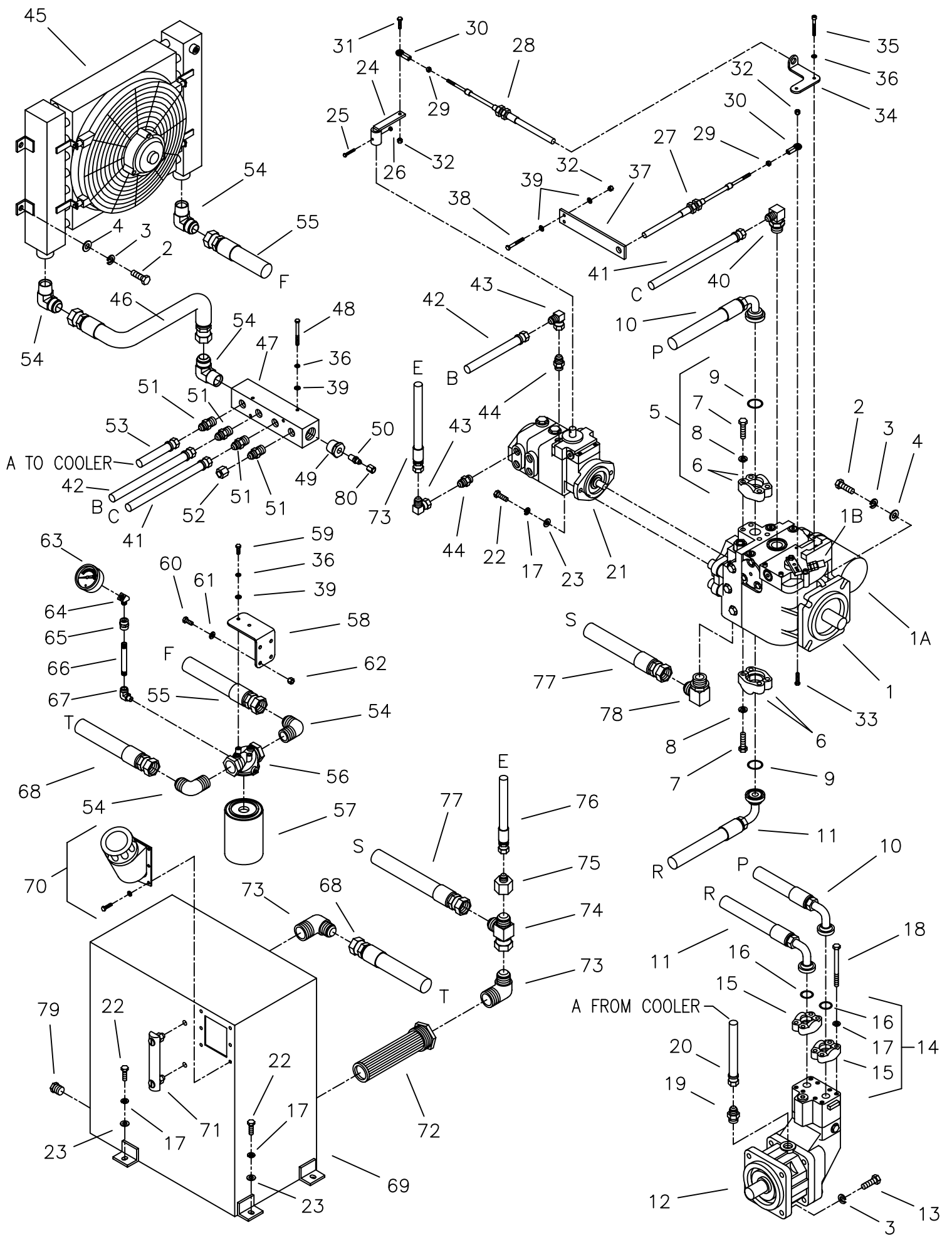
CC8000 Parts List
Drawing 1
Frame Group

Diagram Number	Part No.	Qty. Reg.	Description	Diagram Number	Part No.	Qty. Reg.	Description
1	6040000	1	Frame Base	48	2500880	1	Control Cable, 72" Travel
2	6040011	1	Frame Upright	49	2900144	4	Capscrew, Hex Hd., 1/4"-20 x 3/4"
3	2900025	4	Capscrew, Hex Hd., 1/2"-13 x 1-1/4"	50	2900010	6	Lock Nut, 1/4"-20 Nylon
4	2900084	1	Lock Washer, 1/2" Split	51	6040166	1	Speed Control Lever Assembly (Includes #50 - #62)
5	2900058	4	Flat Washer, 1/2" SAE	52	6040149	1	Speed Control Lever Only
6	2900026	3	Lock Nut, 1/2"-13 Nylon	53	2501280	1	Control Grip Body
7	2900180	19	Capscrew, Hex Washer Hd., 1/4"-20 x 1"	54	2501281	1	Control Grip Cover
8	2900024	23	Lock Washer, 1/4" Split	55	2500644	1	Plug, Rectangular
9	2900009	27	Flat Washer, 1/4" SAE	56	2900452	1	Screw, Oval Head, #4 x 5/8"
10	6040030	1	Frame Side Panel	57	2800372	1	Pushbutton Switch, Raise
11	2500892	2	Panel Pull	58	2800373	1	Pushbutton Switch, Lower
12	2900371	2	J-Bolt, 3/8"-16	59	2500694	2	Plug, 5/8" Hole
13	2900033	4	Hex Nut, 3/8"-16	60	2900453	1	Setscrew, Soc. Hd., M5 x 12mm
14	2900006	10	Lock Washer, 3/8" Split	61	6040167	1	Wiring Harness, Raise/Lower
15	2900014	10	Flat Washer, 3/8" SAE	62	2900048	2	Capscrew, Hex Hd., 1/4"-20 x 1-1/2"
16	6040031	1	Frame Rear Panel	63	2500761	1	Seat
17	6040029	1	Frame Top Panel	64	6040037	1	Seat Platform
18	2900538	8	Capscrew, Hex Hd., 5/16"-18 x 1-3/4"	65	2900137	2	Capscrew, Hex Hd., 5/8"-11 x 3-1/4"
19	2900031	20	Lock Washer, 5/16" Split	66	2900002	8	Flat Washer, 5/8" SAE
20	2900022	20	Flat Washer, 5/16" SAE	67	2900135	3	Lock Nut, 5/8"-11 Nylon
21	2900019	8	Capscrew, Hex Hd., 5/16"-18 x 3/4"	68	6040014	1	Foot Rest
22	2800461	1	Emergency Stop Button	6040133	1	Foot Rest (Reverse Mount)	
23	2800462	1	Contact Block N.C.	69	2900146	1	Capscrew, Hex Hd., 5/8"-11 x 4"
24	2800388	1	Fuse Panel, 6 Circuit	70	3200013	1	Street Elbow, 1/2" NPT
25	2900451	2	Machine Screw, Soc. Hd., #10-24 x 1-1/4"	71	3200022	1	Fitting, 1/2" Female Pipe to 3/4" Female Garden Hose
26	2900016	2	Flat Washer, #10 USS	72	3200025	1	Filter Hose Washer
27	2900017	2	Lock Nut, 10-24 Nylon	73	3200027	1	Water Valve
28	6013093	1	Gauge Panel	74	3200155	1	Fitting, 1/2" Male Pipe to 3/4" Male Garden Hose
29	2900021	6	Tapscrew, Pan Hd., #10-24 x 3/8"	75	6010021	1	Water Hose Assembly, 42" Long
30	2700785	1	Alternator Light	76	6040077	1	Front Axle Assembly (Includes #14, #15, #66, #77 - #84)
	2700923	1	(Bulb Only)	77	6040010	1	Front Axle
31	2700787	1	Oil Temperature Light	78	6040001	2	Axle Mount
	2700923	1	(Bulb Only)	79	2900147	4	Capscrew, Hex Hd., 5/8"-11 x 1-3/4"
32	2700786	1	Oil Pressure Light	80	2900113	4	Lock Washer, 5/8" Split
	2700923	1	(Bulb Only)	81	2900079	2	Capscrew, Hex Hd., 3/8"-16 x 2-1/4"
33	2702333	1	Engine Temperature Gauge	82	2502115	2	Wheel, 10" Dia. x 4" Wide
34	2700783	1	Ignition Switch	83	2500748	4	Bearing, Wheel
35	2500228	1	Vernier Throttle Cable 60"	84	2500782	2	Set Collar, 1-1/4" with Setscrew
36	6010416	1	Blade Shaft Tach/Hour Meter	85	2800267	1	Light, Wedge Base
37	6040038	1	Controls Frame	86	2800389	6	Fuse, 10 Amp Red ATO/ATC
38	2900138	4	Capscrew, Hex Hd., 5/16"-18 x 1"	87	2701261	1	Ignition Key
39	6040070	1	Controls Rear Panel	88	6010013	2	Wheel Well Brace
40	6040071	1	Controls Side Panel	89	2900013	4	Capscrew, Hex Hd., 3/8"-16 x 1-1/4"
41	2900082	4	Capscrew, Hex Hd., 1/4"-20 x 1/2"	90	6040236	1	Edge Trim, 16" Long
42	6040072	1	Controls Front Panel	91	6040306	1	Access Panel
43	6040032	1	Gate Plate				
44	2900542	2	Tap Bolt, Hex Hd., 1/2"-13 x 3-1/2"				
45	2900037	2	Hex Nut, 1/2"-13				
46	2500881	1	Quadco Speed Controller				
47	2501358	1	Control Cable, 54" Blade				



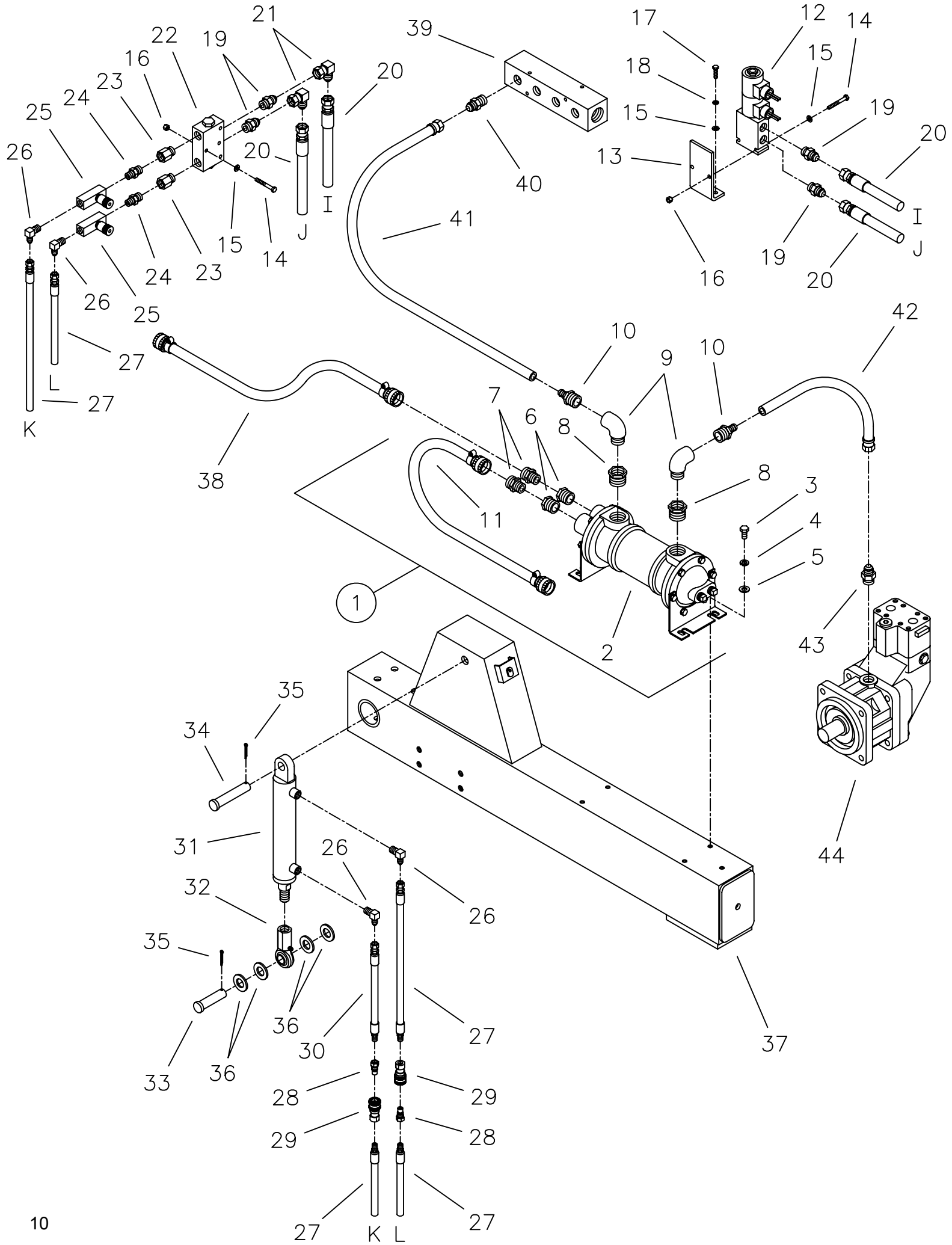
CC8000 Parts List
Drawing 2
Arm Assembly

Diagram Number	Part No.	Qty. Reg.	Description	Diagram Number	Part No.	Qty. Reg.	Description
1	6040008	1	Arm Weldment	24	2900113	2	Lock Washer, 5/8" Split
2	6040243	1	Pillow Block Assembly with Splined Input Shaft & 6" Dia. Flanges (Includes #3 - #27)	25	2900002	1	Flat Washer, 5/8" SAE
	6040244	1	Pillow Block Assembly with Splined Input Shaft & 8" Dia. Flanges (Includes #3 - #18, #21 - #29)	26	6040333	1	Blade Guard Mount
	6040079	1	Pillow Block Assembly with Keyed Input Shaft & 6" Dia. Flanges (Includes #3 - #27)	27	2800169	1	Magnetic Sensor with Wire Connector & Nut
	6040080	1	Pillow Block Assembly with Keyed Input Shaft & 8" Dia. Flanges (Includes #3 - #18, #21 - #29)	28	6013017	1	Inner Flange, 8" for 42" - 54" Blade Guards
				29	6013018	1	Outer Flange, 8" with Drive Pin for 42" - 54" Blade Guards (Includes #21)
				30	6040036	1	Blade Guard Support Bar
				31	2900511	2	Capscrew, Soc. Hd., 1/2"-13 x 1-1/4"
3	6040007	1	Pillow Block	32	6040025	1	Blade Guard Brace for 30" - 36" Blade Guards
4	2900062	1	Grease Fitting, 1/8" NPT	33	2900005	2	Capscrew, Hex Hd., 3/8"-16 x 1"
5	2900139	6	Capscrew, Hex Hd., 1/2"-13 x 1-3/4"	34	2900006	2	Lock Washer, 3/8" Split
6	2900084	6	Lock Washer, 1/2" Split	35	2900014	2	Flat Washer, 3/8" SAE
7	2900058	10	Flat Washer, 1/2" SAE	36	6040069	1	Blade Guard Brace for 42" - 54" Blade Guards
8	6040240	1	Blade Shaft with Splined Input	37	2500211	1	Wrench, 15/16"
	6040003	1	Blade Shaft with Keyed Input	38	2900307	1	Wing Screw, M6 x 16mm
9	6010040	1	Key, 1/4" Sq. x 13/16" (2 req'd for 8" Flanges)	39	6040078	1	Depth Stop Bolt, 3/4"-10 x 12"
				40	2900041	1	Hex Nut, 3/4"-10
10	2500686	2	Bearing, 50mm x 90mm x 20mm	41	2900476	1	Swivel Pad Nut, 3/4"-10
11	6040006	1	Motor Adapter	42	6040009	1	Pivot Shaft
12	2900175	6	Capscrew, Soc. Hd., 3/8"-16 x 1"	43	2900376	2	Capscrew, Hex Hd., 1/2"-13 x 7"
13	6040005	1	Seal Plate	44	2900026	2	Lock Nut, 1/2"-13 Nylon
14	2900235	4	Capscrew, Flat Hd., 3/8"-16 x 1" (10 req'd for 8" Flanges)	45	6040002	1	Arm Clevis
				46	2500746	2	Bearing, 2" Insert
15	2500808	1	Seal, 1-3/4" x 2-3/8" x 5/16"	47	6040023	1	Arm Mount Weldment
16	2500751	1	Seal, 1-3/4" V-Ring	48	2900350	1	Lock Washer, 2-1/2" Split
17	6010230	1	Shaft Tach Gear, 1-3/4" I.D.	49	2900546	1	Hex Nut, 2-1/2"-4
18	2900089	2	Capscrew, Soc. Hd., 1/4"-28 x 1"	50	2900370	4	Capscrew, Hex Hd., 1"-8 x 3"
19	6010038	1	Inner Flange, 6" for 14" - 36" Blade Guards	51	2900365	4	Lock Washer, 1" Split
20	6010039	1	Outer Flange, 6" with Drive Pin for 14" - 36" Blade Guards (Includes #21)	52	2900366	2	Tap Bolt, Hex Hd., 3/8"-16 x 2"
				53	2900033	2	Hex Nut, 3/8"-16
21	2900197	1	Drive Pin Only, 3/8" Dia. x 2"	54	1802199	1	RPM Label
22	2900418	1	Setscrew, Soc Hd., 5/16"-18 x 5/8" (2 req'd for 8" Flanges)	55	6010529	1	Tapered Mount Adapter
				56	2900471	1	Capscrew, Soc. Hd., 1/4"-20 x 2-1/2"
23	2900130	1	Capscrew, Hex Hd., 5/8"-11 x 4" Left Hand				



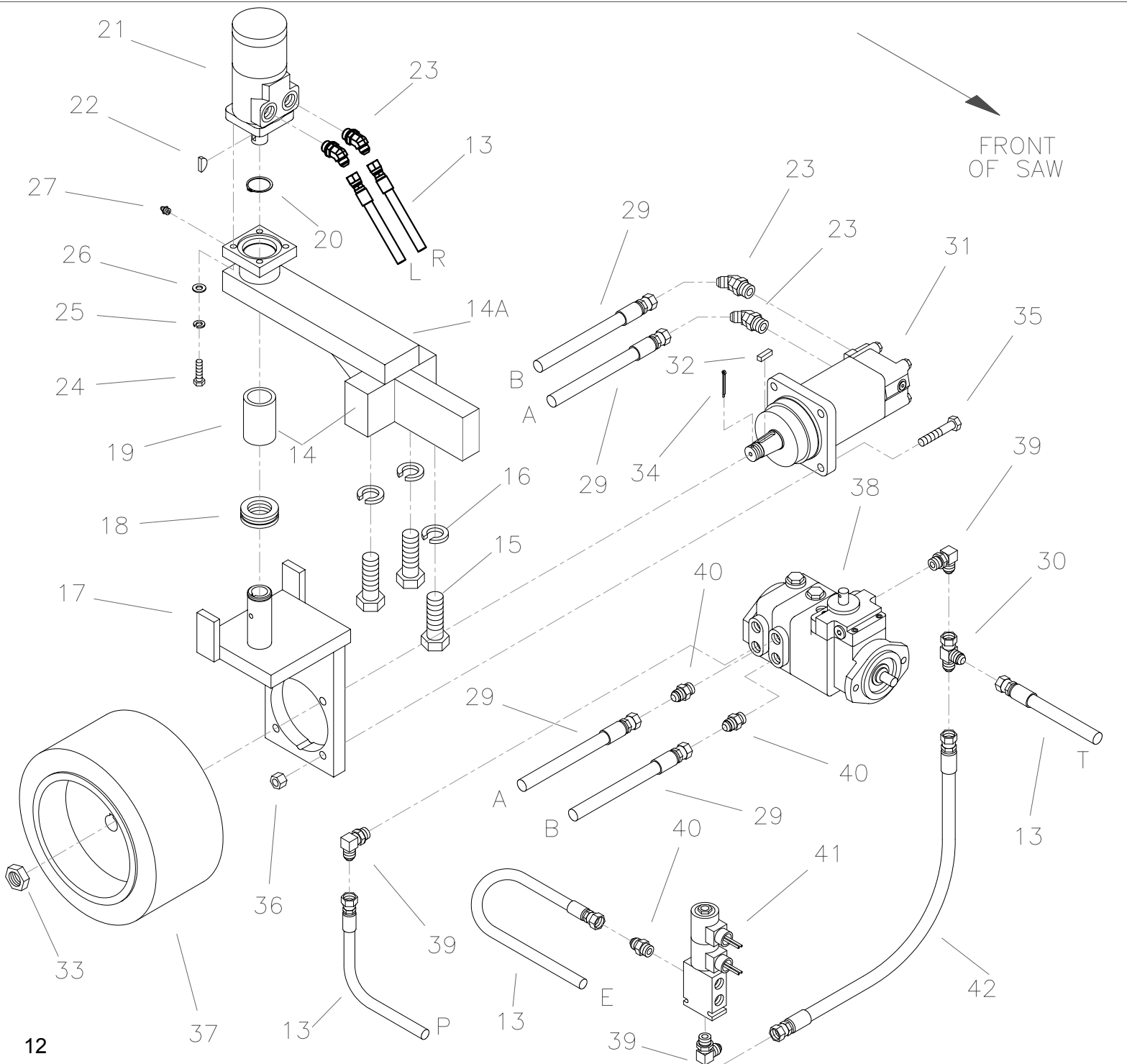
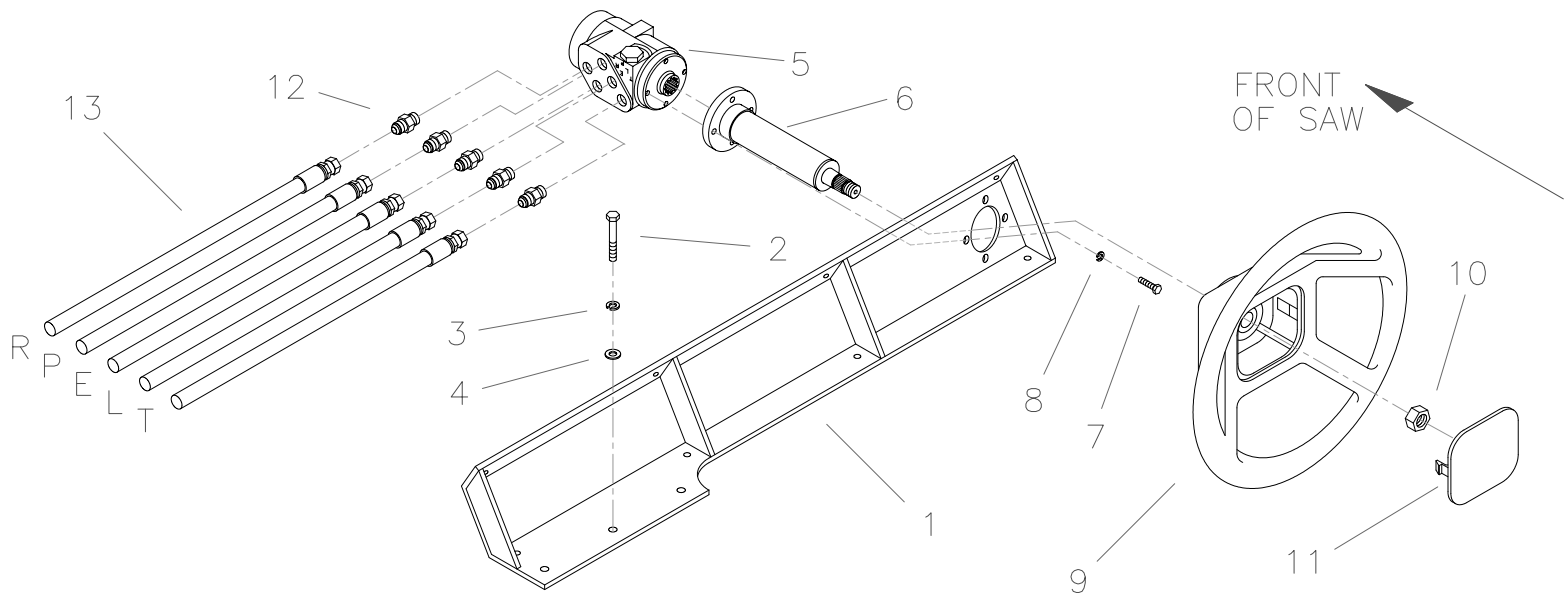
CC8000 Parts List
Drawing 3
Hydraulics Group A

Diagram Number	Part No.	Qty. Reg.	Description	Diagram Number	Part No.	Qty. Reg.	Description
1	2600295	1	Sauer Pump	40	3200298	1	Elbow, 3/4" O-Ring to 1/2" Male JIC
1A	2702208	1	Pump Filter Element, Spin-On	41	6040238	1	Hose Assembly, 1/2" x 30" PL
1B	2702329	1	Neutral Start Switch	42	6040054	1	Hose Assembly, 1/2" x 26" PL
2	2900499	8	Capscrew, Hex Hd., 1/2"-13 x 1-1/2"	43	3200304	2	Elbow, 1/2" Male JIC to 1/2" Female JIC
3	2900084	12	Lock Washer, 1/2" Split	44	3200286	2	Adapter, 1/2" O-Ring to 1/2" Male JIC
4	2900058	8	Flat Washer, 1/2" SAE	45	3200259	1	Heat Exchanger
5	3200249	2	Flange Kit, 1" Split (Includes #6 - #9)	46	6040287	1	Hose Assembly, 1" x 40"
6	3200336	4	Flange Half, 1" Split	47	3200300	1	Manifold, Case Drain
7	2900149	8	Capscrew, Hex Hd., 7/16"-14 x 1-3/4"	48	2900380	2	Capscrew, Hex Hd., 1/4"-20 x 2-3/4"
8	2900238	8	Lock Washer, 7/16" Split	49	3201242	1	Bushing, 1" MNPT to 1/4" FNPT
9	3200337	2	O-Ring, 1" Split Flange	50	3200418	1	Adapter, 1/4" Male Pipe to 1/4" Male JIC
10	3200244	1	Hose Assembly, 3/4" x 70" HP	51	3200283	4	Adapter, 1/2" Male Pipe to 1/2" Male JIC
11	3200245	1	Hose Assembly, 3/4" x 65" HP	52	3200134	1	Cap, 1/2" JIC
12	2600315	1	VOAC Motor with Splined Shaft	53	6040248	1	Hose Assembly, 1/2" x 68" PL
	2600203	1	VOAC Motor with Keyed Shaft	54	3200289	5	Elbow, 1" Male Pipe to 1" Male JIC
13	2900139	4	Capscrew, Hex Hd., 1/2"-13 x 1-3/4"	55	6040057	1	Hose Assembly, 1" x 34" LP
14	3200248	2	Flange Kit, 3/4" Split (Includes #15 - #17)	56	3200505	1	Filter Head
15	3200338	4	Flange Half, 3/4" Split	57	3201175	1	Filter Element, Spin-On
16	3200339	2	O-Ring, 3/4" Split Flange	58	6040239	1	Filter Mount Bracket
17	2900006	14	Lock Washer, 3/8" Split	59	2900144	2	Capscrew, Hex Hd., 1/4"-20 x 3/4"
18	2900375	8	Capscrew, Hex Hd., 3/8"-16 x 4-1/2"	60	2900019	4	Capscrew, Hex Hd., 5/16"-18 x 3/4"
19	3200287	1	Adapter, 5/8" O-Ring to 1/2" Male JIC	61	2900022	4	Flat Washer, 5/16" SAE
20	6040249	1	Hose Assembly, 1/2" x 22" PL	62	2900039	4	Lock Nut, 5/16"-18 Nylon
21	2600212	1	Oilgear Pump	63	3200502	1	Filter Pressure Gauge
22	2900013	6	Capscrew, Hex Hd., 3/8"-16 x 1-1/4"	64	3200099	1	Street Elbow, 1/8" NPT 45°
23	2900014	6	Flat Washer, 3/8" SAE	65	3200066	1	Hex Pipe Coupling, 1/8" NPT
24	6040022	1	Shift Lever	66	3200179	1	Pipe Nipple, 1/8" NPT x 3"
25	2900451	1	Capscrew, Socket Hd., #10-24 x 1-1/4"	67	3200156	1	Street Elbow, 1/8" NPT 90°
26	2900017	1	Lock Nut, #10-24 Nylon	68	6040058	1	Hose Assembly, 1" x 22" LP
27	2501358	1	Control Cable, 54" Blade	69	6040021	1	Hydraulic Reservoir Tank
28	2500880	1	Control Cable, 72" Travel	70	2501429	1	Filler/Breather Cap (6 Bolt)
29	2900186	2	Hex Nut, 1/4"-28		2500760	1	Filler/Breather Cap (7 Bolt)
30	2500409	2	Rod End, 1/4"-28 Female	71	2500762	1	Level/Temperature Sight Gauge
31	2900008	1	Capscrew, Hex Hd., 1/4"-20 x 1"	72	3200261	1	Suction Strainer, 2" NPT
32	2900010	4	Lock Nut, 1/4"-20 Nylon	73	3200282	2	Elbow, 1-1/4" Male Pipe to 1" Male JIC
33	2900052	1	Capscrew, Hex Hd., 1/4"-20 x 1-1/4"	74	3200487	1	Tee, 1" Male JIC to 1" Female JIC
34	6040233	1	Cable Cable Bracket	75	3200488	1	Reducer, 1" Female JIC to 1/2" Male JIC
35	2900493	2	Capscrew, Socket Hd., M6 x 50mm	76	6040062	1	Hose Assembly, 1/2" x 18" HP
36	2900024	6	Lock Washer, 1/4" Split	77	6040235	1	Hose Assembly, 1" x 28" LP
37	6040232	1	Control Cable Guide Bar	78	3200297	1	Elbow, 1" O-Ring to 1" Male JIC
38	2900294	2	Capscrew, Hex Hd., 1/4"-20 x 2"	79	3200160	1	Plug, 1/2" NPT Hex Head
39	2900009	8	Flat Washer, 1/4" SAE	80	3200006	1	Cap, 1/4" JIC



**CC8000 Parts List
Drawing 4
Hydraulics Group B**

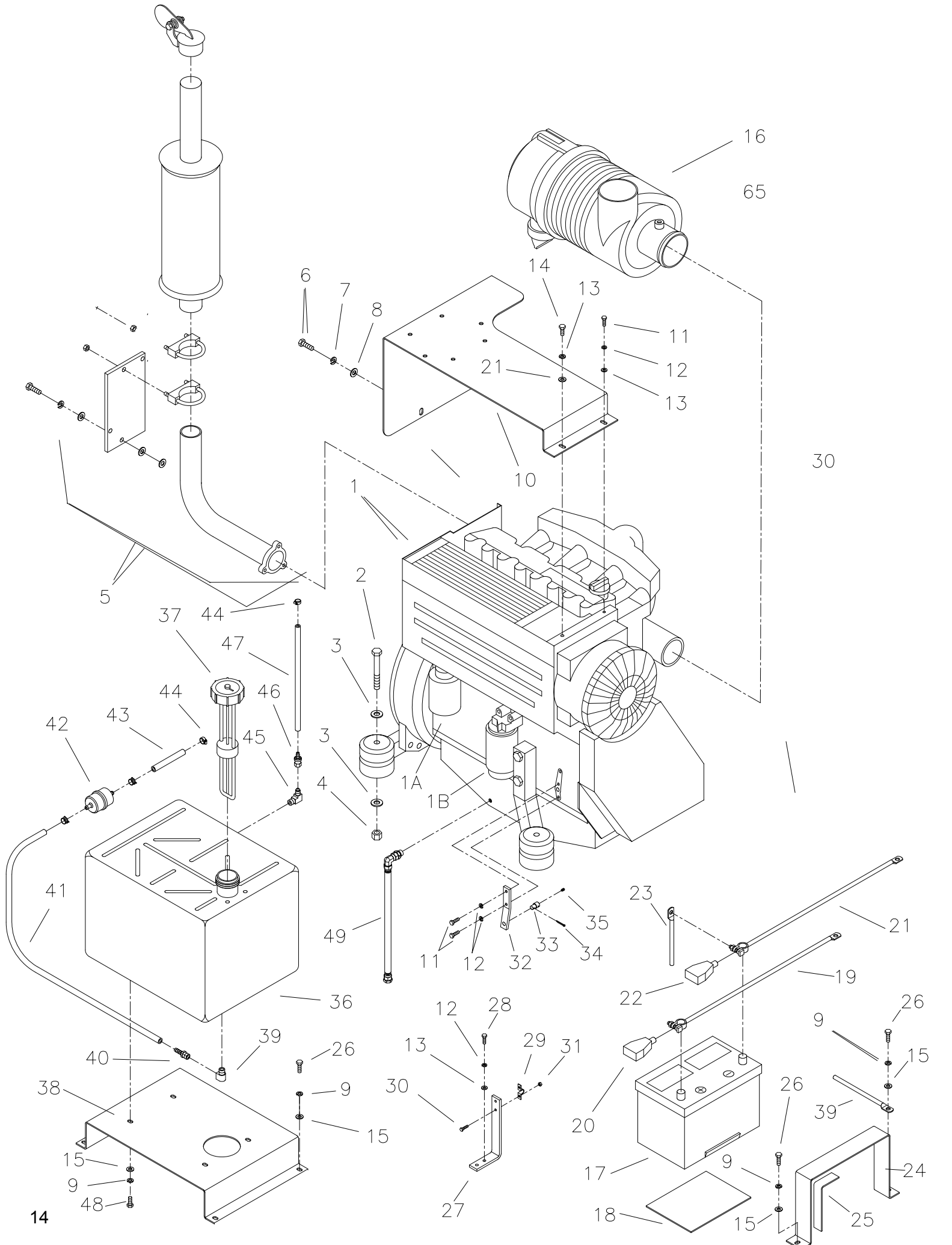
Diagram Number	Part No.	Qty. Reg.	Description	Diagram Number	Part No.	Qty. Reg.	Description
1	6040091	1	Oil Cooler Assembly (Includes #2 - #11)	23	3200295	2	Adapter, 1/2" O-Ring to 3/8" Female Pipe
2	3200262	1	Oil Cooler	24	3200296	2	Adapter, 3/8" Male Pipe to 1/4" Male Pipe
3	2900196	4	Capscrew, Hex Hd., 3/8"-16 x 3/4"	25	3200056	2	Flow Control Valve, 1/4" NPT
4	2900006	4	Lock Washer, 3/8" Split	26	3200057	4	Elbow, 1/4" Male Pipe to 1/4" Male JIC
5	2900014	4	Flat Washer, 3/8" SAE	27	6040114	3	Hose Assembly, 1/4" x 30" HP
6	3200364	2	Reducer, 3/4" Male Pipe to 1/2" Female Pipe	28	3200314	2	Nipple, 1/8" QD
7	3200155	2	Fitting, 1/2" Male Pipe to 3/4" Male Garden Hose	29	3200315	2	Coupler, 1/8" QD
8	3200038	2	Reducer, 1" Male Pipe to 3/4" Female Pipe	30	6040115	1	Hose Assembly, 1/4" x 22" HP
9	3200430	2	Street Elbow, 3/4" NPT Steel	31	2500896	1	Cylinder
10	3200162	2	Fitting, 3/4" Male Pipe to 1/2" Push Lock		2500278	1	(Seal Kit)
11	6011055	1	Water Hose Assembly, 30" Long	32	2500738	1	Rod End, 3/4"-16 Female
12	3200257	1	Valve, 4 Way Solenoid	33	2900362	1	Clevis Pin, 3/4" Dia. x 2-3/4"
	2701964	2	(Valve Coil Only)	34	2900363	1	Clevis Pin, 3/4" Dia. x 3-3/4"
13	6040043	1	Valve Bracket	35	2900004	2	Cotter Pin, 1/8" x 1"
14	2900294	4	Capscrew, Hex Hd., 1/4"-20 x 2"	36	2900003	4	Flat Washer, 3/4" SAE
15	2900009	6	Flat Washer, 1/4" SAE	37	6040008	1	Arm Weldment
16	2900010	4	Lock Nut, 1/4"-20 Nylon	38	6010021	1	Water Hose Assembly, 42" Long
17	2900008	2	Capscrew, Hex Hd., 1/4"-20 x 1"	39	3200300	1	Manifold, Case Drain
18	2900024	2	Lock Washer, 1/4" Split	40	3200283	1	Adapter, 1/2" Male Pipe to 1/2" Male JIC
19	3200286	4	Adapter, 1/2" O-Ring to 1/2" Male JIC	41	6040248	1	Hose Assembly, 1/2" x 68" PL
20	6040063	2	Hose Assembly, 1/2" x 30" HP	42	6040249	1	Hose Assembly, 1/2" x 22" PL
21	3200304	2	Elbow, 1/2" Male JIC to 1/2" Female JIC	43	3200287	1	Adapter, 5/8" O-Ring to 1/2" Male JIC
22	3200258	1	Valve, Cylinder Lock	44	2600315	1	VOAC Motor with Splined Shaft
					2600203	1	VOAC Motor with Keyed Shaft



CC8000 Parts List
Drawing 5
Power Steering Group

Part # 6040132 Power Steering Upgrade Kit (Includes #1 - #30)

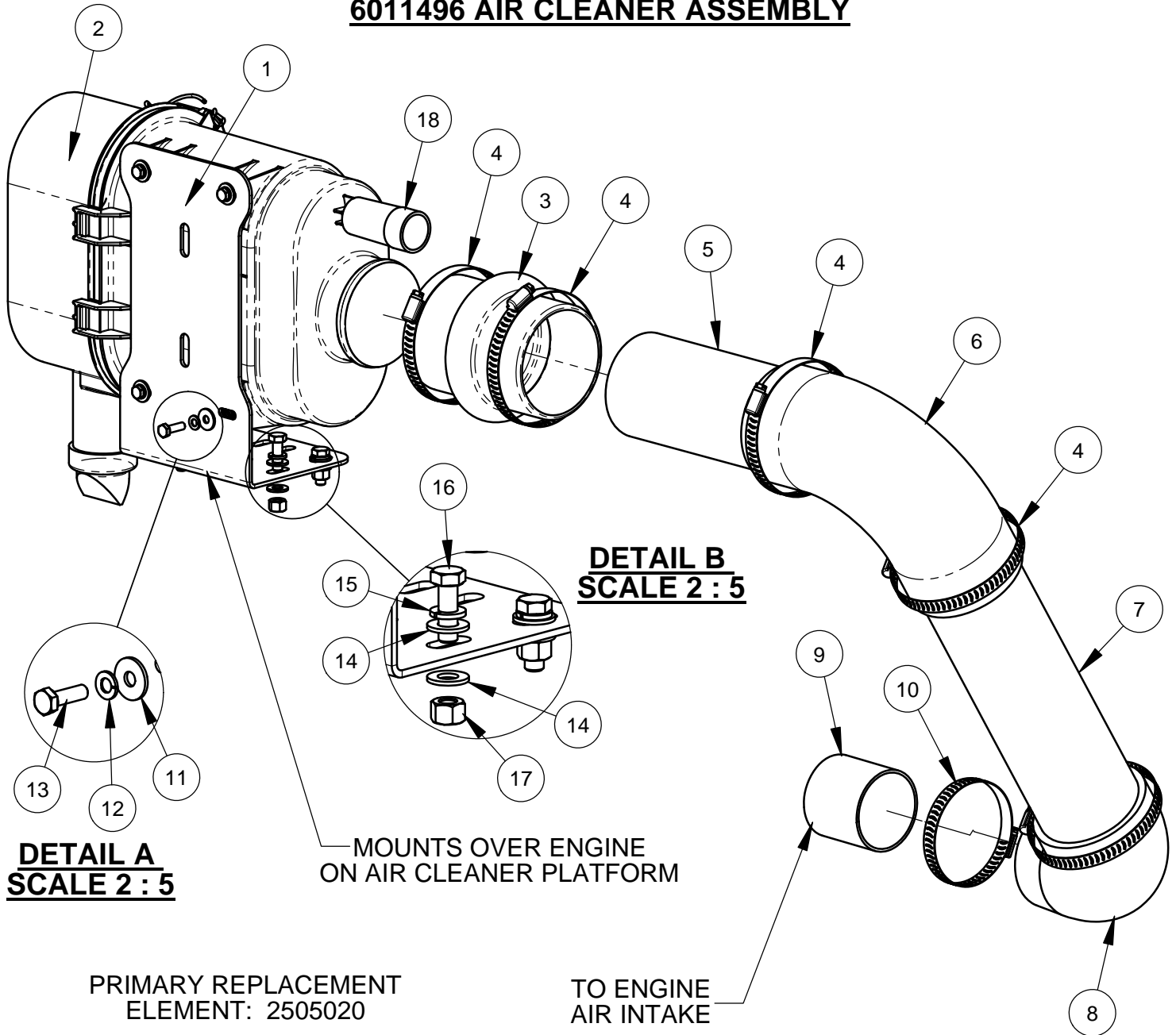
Diagram Number	Part No.	Qty. Reg.	Description	Diagram Number	Part No.	Qty. Reg.	Description
1	6040131	1	Steering Support Brace	22	2701901	1	Woodruff Key, 1/4" Wide x 1" Dia.
2	2900494	3	Capscrew, Hex Hd., 5/16"-18 x 2"	23	3200422	4	Adapter, 5/8" O-Ring to 1/2" Male JIC 45°
3	2900031	3	Lock Washer, 5/16" Split	24	2900029	4	Capscrew, Hex Hd., 3/8-16 x 1-1/2"
4	2900022	3	Flat Washer, 5/16" SAE	25	2900006	4	Lock Washer, 3/8" Split
5	2600222	1	Steering Control Unit	26	2900014	4	Flat Washer, 3/8" SAE
6	2600221	1	Steering Column	27	2900062	1	Grease Fitting, 1/8" NPT
7	2900311	4	Capscrew, Hex Hd., M6 x 25mm	28			N/A
8	2900024	4	Lock Washer, 1/4" Split	29	6040066	2	Hose Assembly, 1/2" x 46" HP
9	2501170	1	Steering Wheel	30	3200332	1	Tee, 1/2" Male JIC to 1/2" Female JIC
10	2900435	1	Hex Nut, M16x1.5	31	2600213	1	Wheel Drive Motor (Includes #32 and #33)
11	2501176	1	Steering Wheel Cap	32	2701902	1	Key, 5/16" Square x 1"
12	3200263	5	Adapter, 3/8" O-Ring to 3/8" Male JIC	33	2701903	1	Hex Nut, 1"-20 Slotted
13	6040123	5	Hose Assembly, 3/8" x 78" HP	34	2900374	1	Cotter Pin, 5/32" x 1-1/2"
14	6011492	1	Includes 6010997 & 6011347	35	2900105	4	Capscrew, Hex Hd., 1/2"-13 x 2-3/4"
14A	6010997	1	Drive Wheel Support Arm	36	2900026	4	Lock Nut, 1/2"-13 Nylon
15	2900370	3	Capscrew, Hex Hd., 1"-8 x 3"	37	6040012	1	Drive Wheel with Hub
16	2900365	3	Lock Washer, 1" Split	38	2600212	1	Oilgear Pump
17	6011343	1	Drive Wheel Bracket	39	3200285	3	Elbow, 1/2" O-Ring to 1/2" Male JIC
18	2504000	1	Bearing, 1-3/4" Thrust	40	3200286	3	Adapter, 1/2" O-Ring to 1/2" Male JIC
19	6011347	1	Bearing, 1-3/4" x 2" x 3"	41	3200257	1	Valve, 4 Way Solenoid
20	2501376	1	Retaining Ring, 1-3/4"	42	6040237	1	Hose Assembly, 1/2" x 16" HP
21	2600223	1	Steering Motor (Includes #22)				



CC8000 Parts List
Drawing 6
Engine Group

Diagram Number	Part No.	Qty. Reg.	Description	Diagram Number	Part No.	Qty. Reg.	Description
1	2600328	1	Engine, Deutz Diesel Model BF4L2011	26	2900138	6	Capscrew, Hex Hd., 5/16"-18 x 1"
	2600232	1	Engine, Deutz Diesel Model BF4L1011F	27	6040073	1	Throttle Brace
1A	2701775	1	Oil Filter	28	2800144	2	Capscrew, Hex Hd., 1/4"-20 x 3/4"
1B	2701339	1	Fuel Filter	29	2500940	1	Throttle Cable Clamp
2	2900347	4	Capscrew, Hex Hd., M12 x 100mm	30	2900015	2	Capscrew, Hex Hd., #10-24 x 3/4"
3	2900058	8	Flat Washer, 1/2" SAE	31	2900017	2	Lock Nut, #10-24 Nylon
4	2900327	4	Lock Nut, M12 Nylon	32	6013029	1	Throttle Arm
5	6040084	1	Muffler Assembly	33	6048212	1	Pivot Pin
6	2900333	2	Capscrew, Hex Hd., M10 x 25mm	34	2900034	1	Cotter Pin, 3/32" x 3/4"
7	2900321	2	Lock Washer, M10 Split	35	2900059	1	Setscrew, Soc. Hd., #10-32 x 1/4"
8	2900014	2	Flat Washer, 3/8" SAE	36	2501784	1	Fuel Tank, Plastic
9	2900031	11	Lock Washer, 5/16" Split	37	2500649	1	Fuel Tank Cap with Gauge
10	6040013	1	Air Cleaner Platform	38	6040028	1	Fuel Tank Mount
11	2900310	3	Capscrew, Hex Hd., M6 x 20mm		6040027	1	Fuel Tank Mount (For Slot Cutter Option)
12	2900024	5	Lock Washer, 1/4" Split	39	3200012	1	Street Elbow, 1/4" NPT
13	2900009	3	Flat Washer, 1/4" SAE	40	3200202	1	Fitting, 1/4" Male Pipe to 5/16" Push Lock
14	2900329	1	Capscrew, Hex Hd., M8 x 20mm	41	6013096	1	Fuel Line Hose, 5/16" I.D. x 28" Long
15	2900022	11	Flat Washer, 5/16" SAE	42	2500474	1	Fuel Filter, 5/16" with Clamps
16	6011496	1	Air Cleaner Assembly	43	6013095	1	Fuel Line Hose, 5/16" I.D. x 4" Long
17	2700208	1	Battery, 12 Volt	44	3200062	2	Hose Clamp #4
18	6010016	1	Battery Pad	45	3200057	1	Elbow, 1/4" Male Pipe to 1/4" Male JIC
19	2800073	1	Battery Cable, Positive (Red)	46	3200091	1	Fitting, 1/4" Female JIC to 1/4" Push Lock
20	2800256	1	Battery Boot (Red)	47	6048096	1	Fuel Line Hose, Return, 1/4" I.D. x 12"
21	2800072	1	Battery Cable, Negative (Black)	48	2900019	4	Capscrew, Hex Hd., 5/16"-18 x 3/4"
22	2800257	1	Battery Boot (Black)	49	6010451	1	Oil Drain Hose Assembly
23	2800182	1	Negative Ground Cable (Black)				
24	6040026	1	Battery Strap				
25	6048077	2	Rubber Strip				

6011496 AIR CLEANER ASSEMBLY



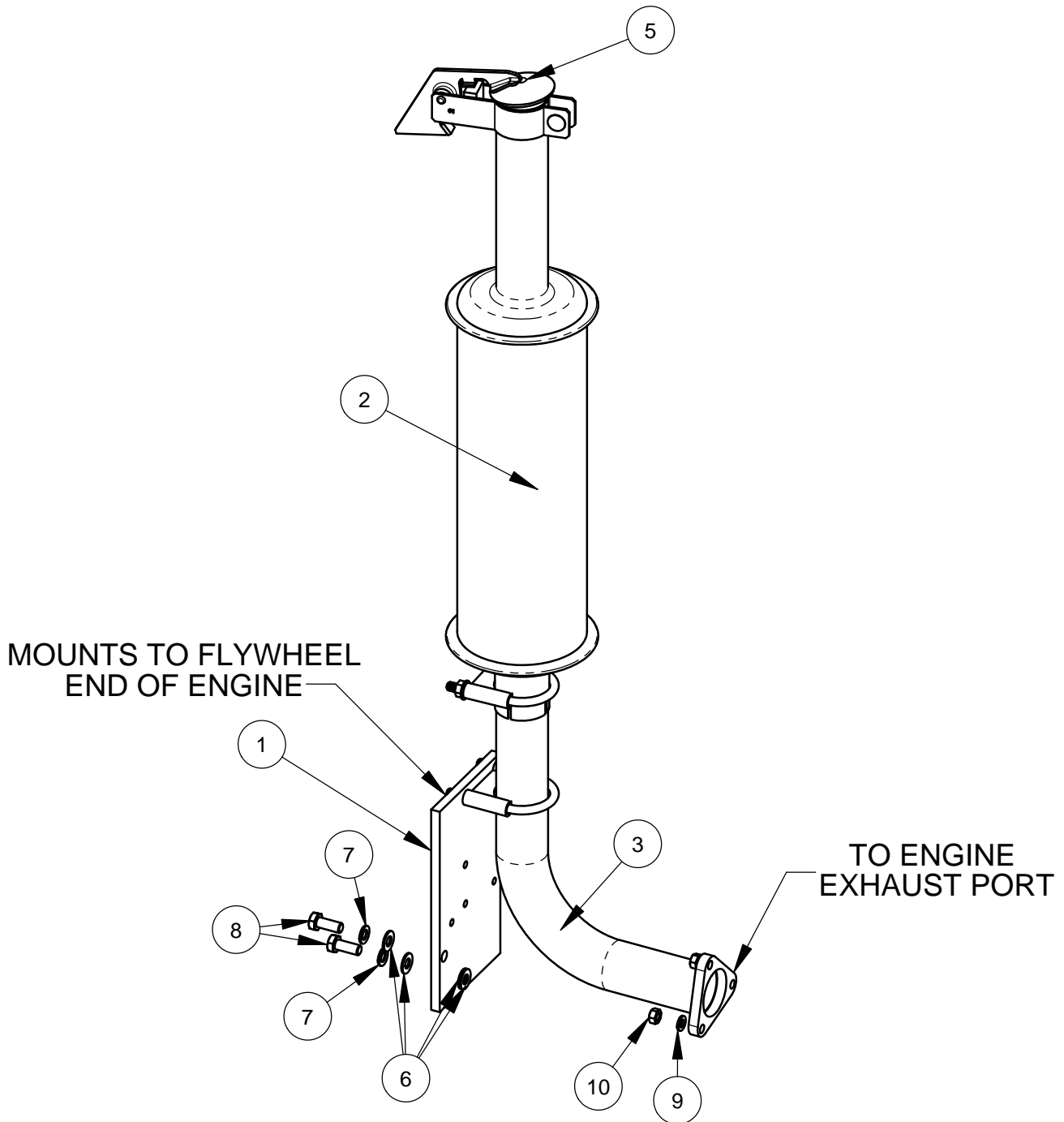
PRIMARY REPLACEMENT
ELEMENT: 2505020

SECONDARY REPLACEMENT
ELEMENT: 2503681

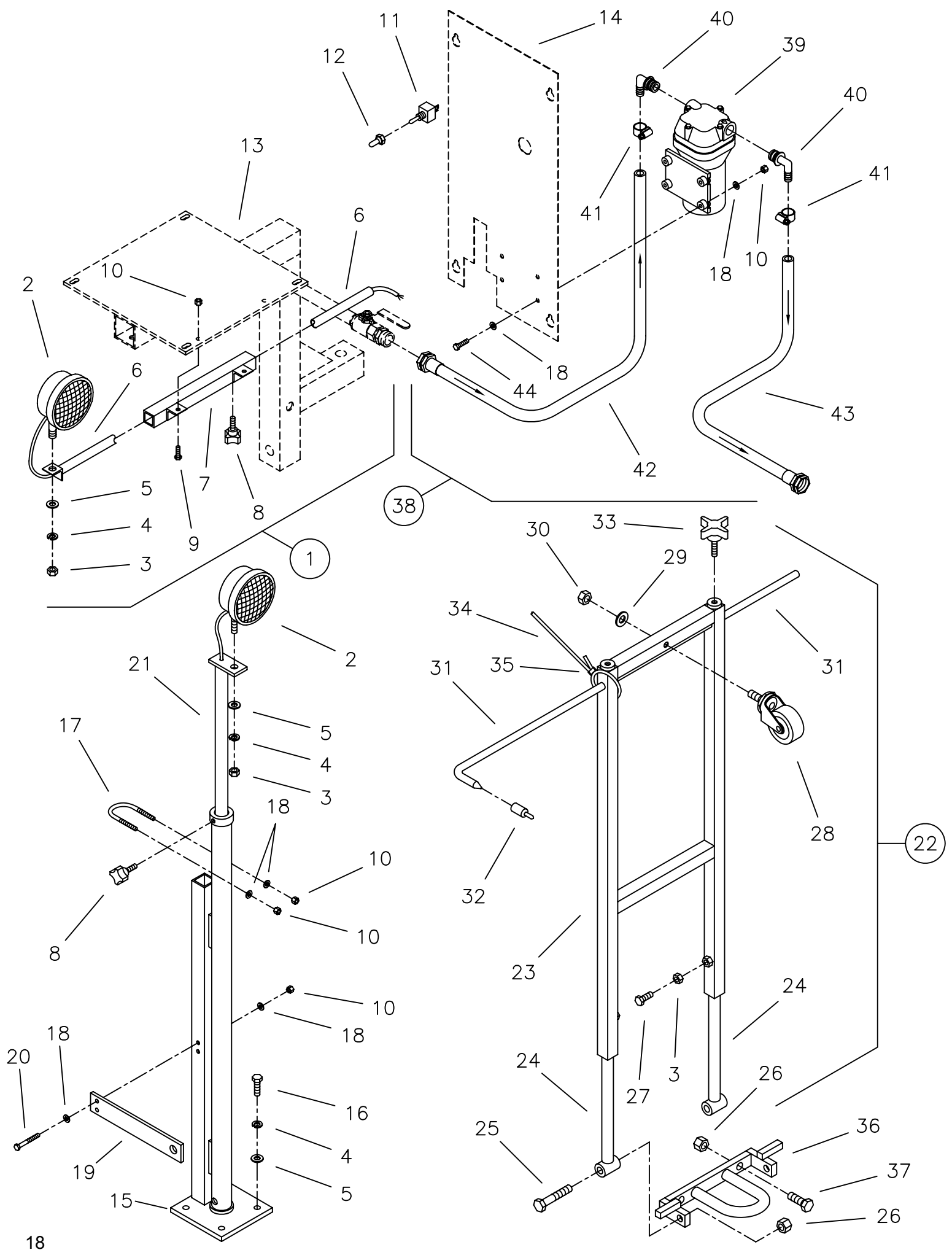
ITEM	PART NO.	QTY.	DESCRIPTION
1	6011493	1	Bracket, Air Filter
2	2504349	1	Air Filter Assembly
3	2503689	1	Hose, Union, 3-1/2", Rubber
4	3200198	5	Hose Clamp #64
5	6011396	1	Tube, 3-1/2" O.D. x 8"
6	2500427	1	Hose Elbow, 3-1/2" I.D.
7	6011397	1	Tube, 3-1/2" O.D. x 13"
8	2500458	1	Hose Elbow, 3" to 3-1/2" I.D.
9	6013118	1	Connector Tube, 2-3/4" O.D.

ITEM	PART NO.	QTY.	DESCRIPTION
10	3200197	1	Hose Clamp #52
11	2901359	4	Fender Washer, M6
12	2900765	4	Lock Washer, M6 Split
13	2900310	4	Cap Screw, Hex Hd., M6-1.0 x 20mm
14	2900022	8	Flat Washer, 5/16" SAE
15	2900031	4	Lock Washer, 5/16" Split
16	2900138	4	Cap Screw, Hex Hd., 5/16-18 x 1"
17	2900039	4	Lock Nut, 5/16-18 Nylon
18	2500423	1	Restriction Indicator

6040084 CC8000 MUFFLER ASSEMBLY

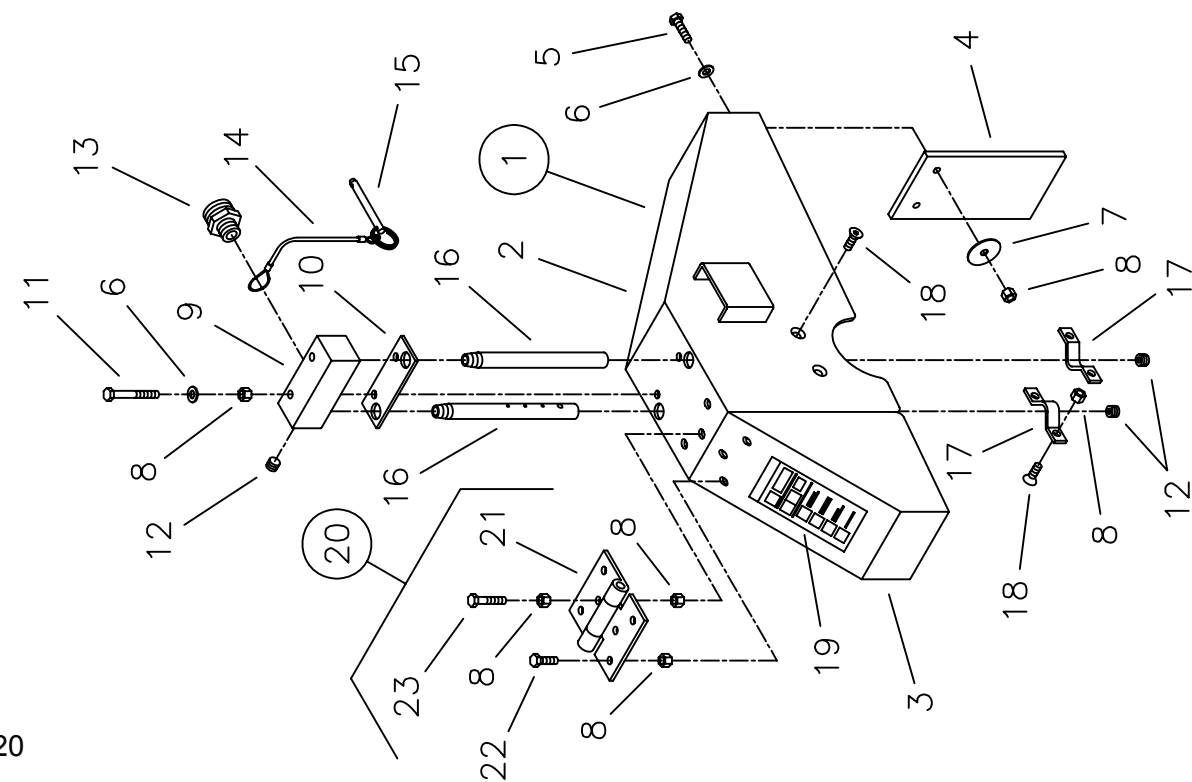
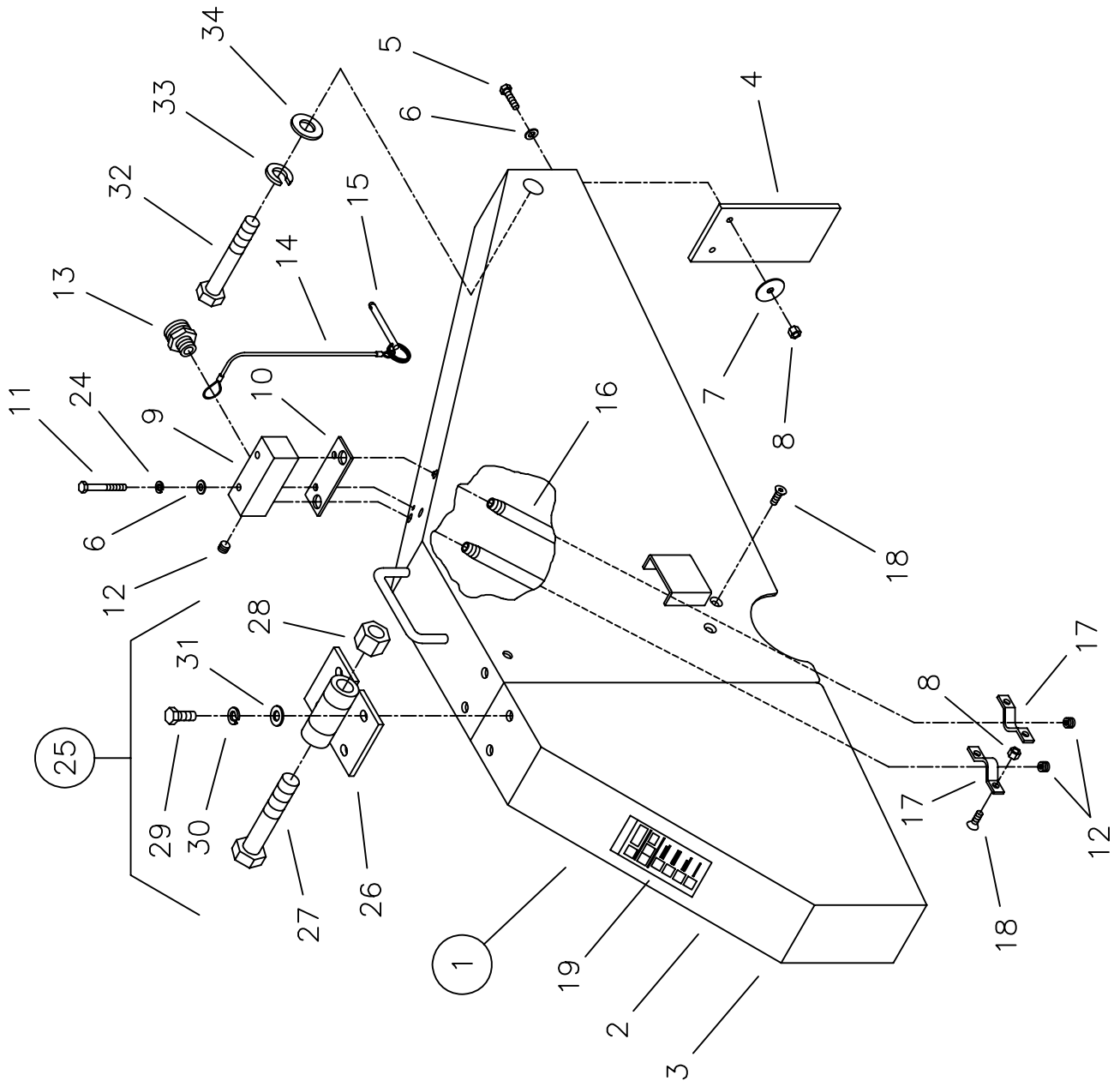


ITEM	PART NO.	CC7874/QTY.	DESCRIPTION
1	6013102	1	Exhaust Support Plate
2	2700746	1	Muffler
3	6013110	1	Exhaust Pipe
4	2700748	2	Muffler Clamp 2"
5	2700747	1	Rain Cap 2"
6	2900014	4	Flat Washer, 3/8" SAE
7	2900321	2	Lock Washer, M10 Split
8	2900333	2	Cap Screw, Hex Hd., M10-1.5 x 25mm
9	2900031	3	Lock Washer, 5/16" Split
10	2900343	3	Hex Nut, M8-1.25



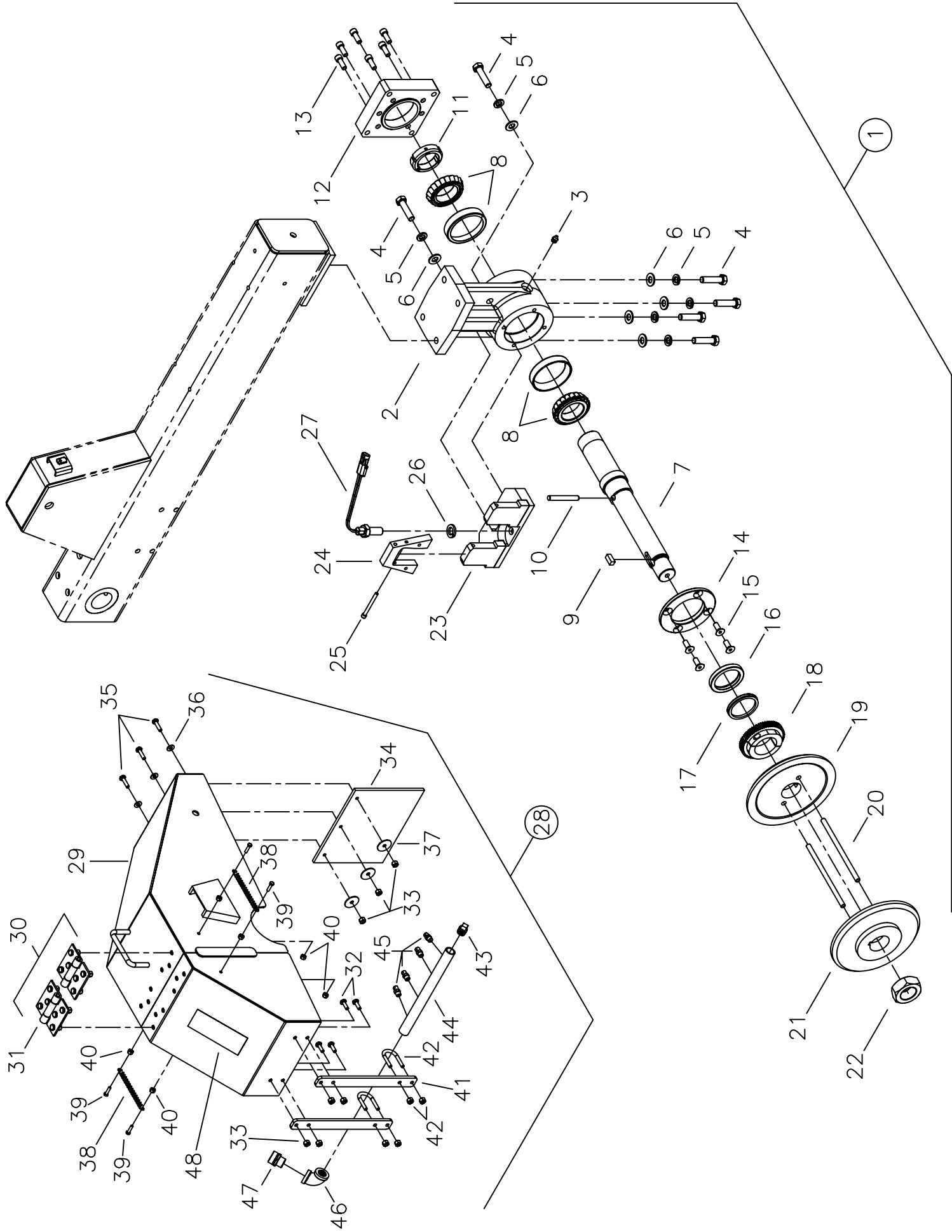
CC8000 Parts List
Drawing 7
Light, Pointer, Water Pump Group

Diagram Number	Part No.	Qty. Reg.	Description	Diagram Number	Part No.	Qty. Reg.	Description
1	6010112	1	Spot Light Kit (Includes #2 - #12)	23	6011201	1	Front Pointer Frame
2	2500194	2	Spot Light, 12 Volt (Includes #3)	24	6011152	2	Front Pointer Arm
3	2900033	4	Hex Nut, 3/8"-16	25	2900105	2	Capscrew, Hex Hd., 1/2"-13 x 2-3/4"
4	2900006	6	Lock Washer, 3/8" Split	26	2900026	4	Lock Nut, 1/2"-13 Nylon
5	2900014	6	Flat Washer, 3/8" SAE	27	2900005	2	Capscrew, Hex Hd., 3/8"-16 x 1"
6	6010106	1	Light Bar	28	2501379	1	Caster, Threaded Stem
7	6010107	1	Light Bar Mount Bracket	29	2900058	1	Flat Washer, 1/2" SAE
8	2400157	3	Hand Lock Knob, 5/16"-18	30	2900543	1	Jam Lock Nut, 1/2"-13 Nylon
9	2900144	2	Capscrew, Hex Hd., 1/4"-20 x 3/4"	31	6040024	1	Front Pointer Rod
10	2900010	10	Lock Nut, 1/4"-20 Nylon	32	2500740	1	Pointer Cap
11	2800062	2	Toggle Switch	33	2900234	2	Hand Lock Knob, 3/8"-16
12	2800063	2	Switch Boot	34	6011054	1	Pointer Cable
13	(REF)	1	Seat Platform	35	3200221	3	Cable Clamp
14	(REF)	1	Controls Side Panel	36	6040093	1	Pointer Mount
15	6041000	1	Light Support Stand	37	2900139	2	Capscrew, Hex Hd., 1/2"-13 x 1-3/4"
16	2900013	4	Capscrew, Hex Hd., 3/8"-16 x 1-1/4"	38	6040117	1	Optional Water Pump Kit (Includes
17	2900379	1	U-Bolt, 1/4"-20				#10 - #12, #18, #39 - #44)
18	2900009	14	Flat Washer, 1/4" SAE	39	2600200	1	Water Pump, 12 Volt Diaphragm
19	6040232	1	Cable Guide Bar	40	2701694	1	Port Fitting 90° with O-Ring (Set of 2)
20	2900294	2	Capscrew, Hex Hd., 1/4"-20 x 2"	41	3200016	2	Hose Clamp #8
21	6040138	1	Light Extension Bar	42	6040129	1	Inlet Hose Assembly, 24" Long
22	6040083	1	Front Pointer Assembly	43	6010302	1	Outlet Hose Assembly, 48" Long
			(Includes #3, #23 - #35)	44	2900008	4	Capscrew, Hex Hd., 1/4"-20 x 1"



CC8000 Parts List
Drawing 8
Blade Guard Assembly

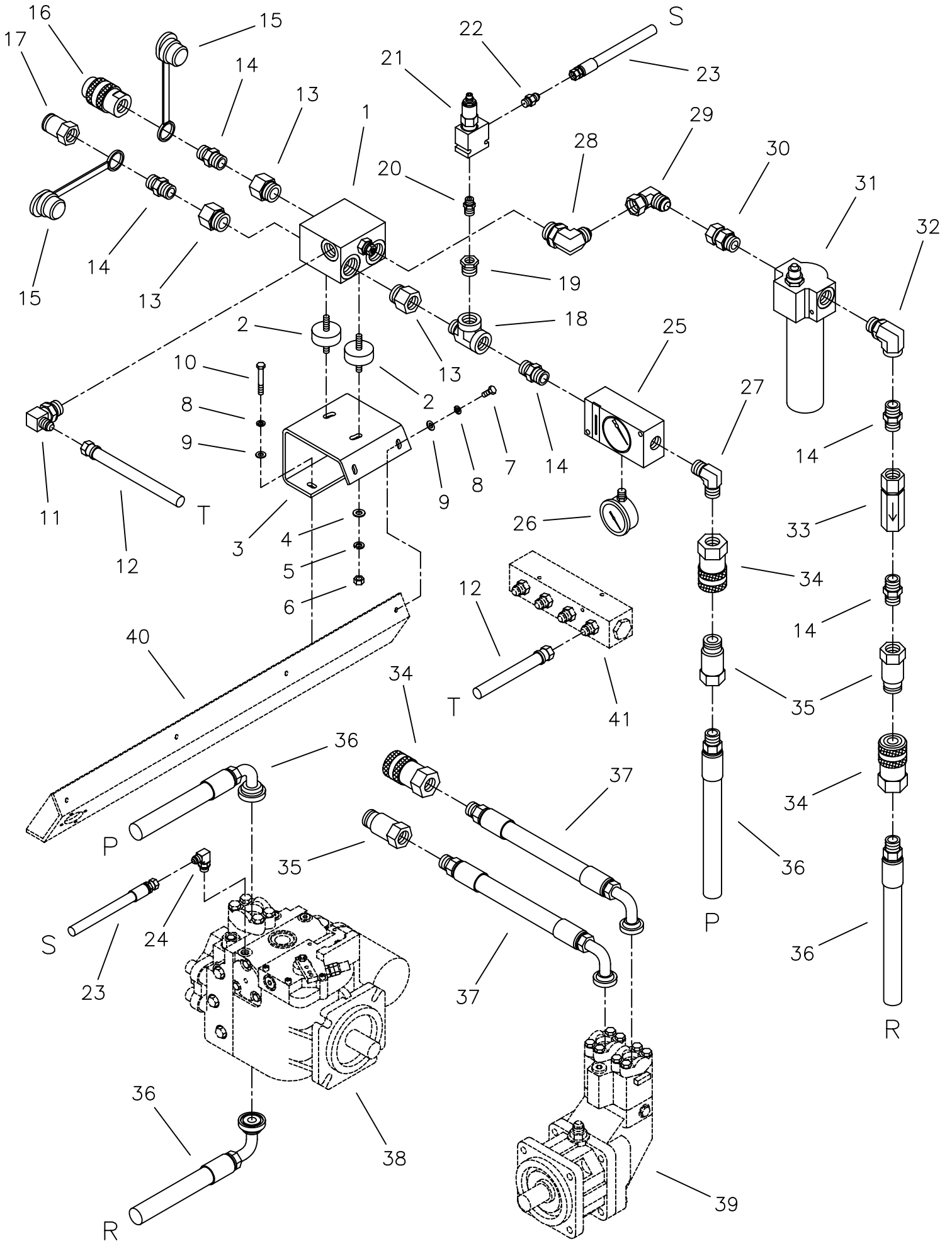
Diagram Number	Part No.	Qty. Reg.	Description	Diagram Number	Part No.	Qty. Reg.	Description
1	6010070	1	14" Blade Guard Assembly (Includes #2 - #23)	11	2900294	2	Capscrew, Hex Hd., 1/4"-20 x 2"
	6010072	1	20" Blade Guard Assembly (Includes #2 - #22)	12	3200001	3	Pipe Plug, 1/8" NPT
	6010074	1	26" Blade Guard Assembly (Includes #2 - #19, #24, #25)	13	3200002	1	Fitting, 3/4" Male Garden Hose to 3/8" Male Pipe
	6010076	1	30" Blade Guard Assembly (Includes #2 - #19, #24, #25)	14	2900278	1	Lanyard with Lock Pin for 14" & 20" Blade Guards
	6010260	1	36" Blade Guard Assembly (Includes #2 - #19, #24 - #34)		2900279	1	Lanyard with Lock Pin for 26" & 30" Blade Guards
	6010143	1	42" Blade Guard Assembly (Includes #2 - #19, #24 - #34)		2900280	1	Lanyard with Lock Pin for 36" & 42" Blade Guards
	6010145	1	48" Blade Guard Assembly (Includes #2 - #19, #24 - #34)		2900281	1	Lanyard with Lock Pin for 48" & 54" Blade Guards
	6010183	1	54" Blade Guard Assembly (Includes #2 - #19, #24 - #34)	15	2900156	1	Lock Pin Only
2	6010071	1	14" Blade Guard Front & Rear Only	16	6048283	2	Water Tube for 14" Blade Guard
	6010073	1	20" Blade Guard Front & Rear Only		6010085	2	Water Tube for 20" Blade Guard
	6010075	1	26" Blade Guard Front & Rear Only		6010086	2	Water Tube for 26" Blade Guard
	6010077	1	30" Blade Guard Front & Rear Only		6010087	2	Water Tube for 30" Blade Guard
	6010259	1	36" Blade Guard Front & Rear Only		6010088	2	Water Tube for 36" Blade Guard
	6010144	1	42" Blade Guard Front & Rear Only		6010114	2	Water Tube for 42" Blade Guard
	6010146	1	48" Blade Guard Front & Rear Only		6010115	2	Water Tube for 48" Blade Guard
	6010184	1	54" Blade Guard Front & Rear Only		6013023	2	Water Tube for 54" Blade Guard
3	6010304	1	14" Blade Guard Front Only	17	6048155	2	Water Tube Clamp
	6010305	1	20" Blade Guard Front Only	18	2900020	4	Capscrew, Flat Hd., 1/4"-20 x 3/4"
	6010306	1	26" Blade Guard Front Only	19	1800001	1	Warning Label
	6010307	1	30" Blade Guard Front Only	20	6048150	1	Hinge Assembly for 14" Blade Guard (Includes #8, #21 - #23)
	6010308	1	36" Blade Guard Front Only		6010251	1	Hinge Assembly for 20" Blade Guard (Includes #8, #21, #22)
	6010311	1	42" Blade Guard Front Only	21	2500270	1	Hinge Only
	6010312	1	48" Blade Guard Front Only	22	2900144	6	Capscrew, Hex Hd., 1/4"-20 x 3/4"
	6010313	1	54" Blade Guard Front Only	23	2900052	1	Capscrew, Hex Hd., 1/4"-20 x 1-1/4"
4	6010081	1	Splash Flap	24	2900024	2	Lock Washer, 1/4" Split
5	2900008	2	Capscrew, Hex Hd., 1/4"-20 x 1"	25	6010560	1	Hinge Assembly for 26" - 54" Blade Guards (Includes #26 - #31)
6	2900009	4	Flat Washer, 1/4" SAE		6010549	1	Hinge Only
7	2900083	2	Fender Washer, 1/4" x 1-1/4"	26	2900479	1	Capscrew, Hex Hd., 3/4"-10 x 4"
8	2900010	15	Lock Nut, 1/4"-20 Nylon	27	2900467	1	Lock Nut, 3/4"-10 Nylon
9	6010261	1	Manifold for 14" - 30" Blade Guards	28	2900005	4	Capscrew, Hex Hd., 3/8"-16 x 1"
	6010264	1	Manifold for 36" Blade Guard	29	2900006	4	Lock Washer, 3/8" Split
	6010273	1	Manifold for 42" - 54" Blade Guards	30	2900014	4	Flat Washer, 3/8" SAE
10	2500830	1	Manifold Gasket for 14" - 36" Blade Guards	31	2900014	4	Flat Washer, 3/8" SAE
	2500859	1	Manifold Gasket for 42" - 54" Blade Guards	32	2900291	1	Capscrew, Hex Hd., 5/8"-18 x 4"
				33	2900113	1	Lock Washer, 5/8" Split
				34	2900002	1	Flat Washer, 5/8" SAE



CC8000 Parts List
Drawing 9
Plunge Cut Assembly

Part # 6040334 Plunge Cut Assembly for Splined Shaft Motor (Includes #1 - #48)

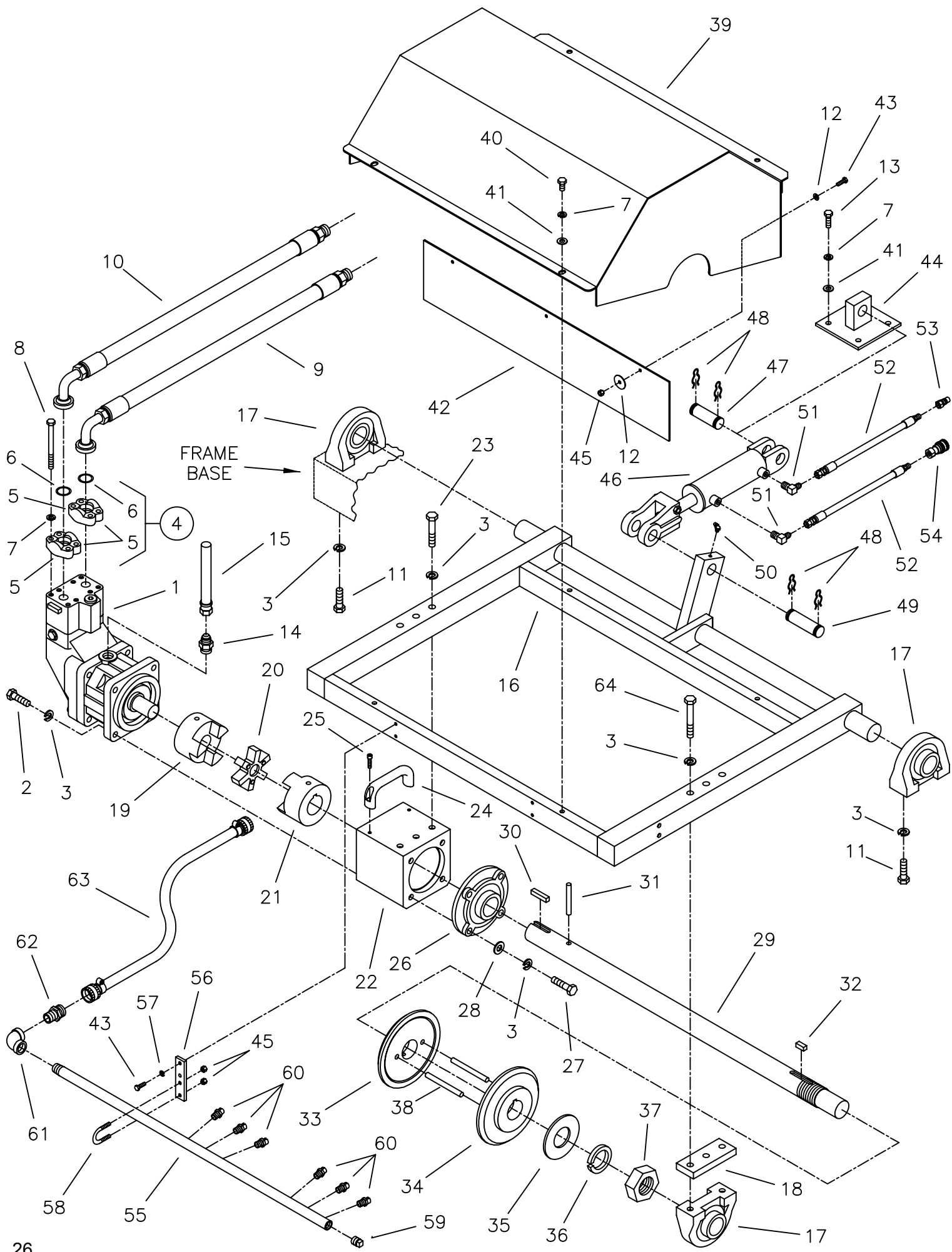
Diagram Number	Part No.	Qty. Reg.	Description	Diagram Number	Part No.	Qty. Reg.	Description
1	6040329	1	Pillow Block Assembly with Splined Input Shaft (Includes #2 - #27)	25	2900471	1	Cap Screw, Soc. Hd., 1/4-28 x 2-1/2"
				26	2900113	1	Lock Washer, 5/8" Split
2	6040330	1	Pillow Block	27	2800169	1	Magnetic Sensor with Wire Connector & Hex Nut
3	2900062	1	Grease Fitting, 1/8" NPT	28	6010624	1	20" Plunge Guard Assembly (Includes #29 - #48)
4	2900106	6	Capscrew, Hex Hd., 1/2"-13 x 2"	29	6010625	1	20" Plunge Guard Front & Rear Only
5	2900084	6	Lock Washer, 1/2" Split	30	6010251	2	Hinge Assembly (Includes #31 - #33)
6	2900058	6	Flat Washer, 1/2" SAE	31	2500270	2	Hinge Only
7	6040331	1	Blade Shaft with Splined Input	32	2900144	16	Capscrew, Hex Hd., 1/4"-20 x 3/4"
8	2500804	2	Tapered Roller Bearing, Cone and Cup	33	2900010	19	Lock Nut, 1/4"-20 Nylon
9	6010138	1	Key, 3/8" Sq. x 7/8"	34	6010219	1	Splash Flap
10	2900203	1	Dowel Pin, 3/8" Dia. x 3"	35	2900008	3	Capscrew, Hex Hd., 1/4"-20 x 1"
11	2502048	1	Bearing Lock Nut	36	2900009	3	Flat Washer, 1/4" SAE
12	6040006	1	Motor Adapter	37	2900083	3	Fender Washer, 1/4" x 1-1/4"
13	2900175	6	Capscrew, Soc. Hd., 3/8"-16 x 1"	38	2500067	2	Spring, 3/8" Dia. x 4"
14	6040332	1	Seal Plate	39	2900015	4	Machine Screw, Hex Hd., #10-24 x 3/4"
15	2900235	4	Capscrew, Flat Hd., 3/8"-16 x 1"	40	2900017	8	Lock Nut, #10-24 Nylon
16	2501372	1	Seal, 2-1/4" x 3" x 3/8"	41	6010190	2	Manifold Bar
17	2502047	1	Seal, 2-1/4" V-Ring	42	2900241	2	U-Bolt with 1/4"-20 Hex Nuts
18	6013091	1	Shaft Tach Gear, 1-3/4" I.D.	43	3200153	1	Pipe Plug, 3/8" NPT
19	6010136	1	Inner Flange, 8"	44	6010189	1	Water Manifold
20	6010139	2	Drive Pin, 3/8" Dia. x 7-1/8"	45	3200208	4	Spray Nozzle, 1/4" NPT
21	6010137	1	Outer Flange, 8"	46	3200209	1	Pipe Elbow, 1/2" Female
22	6048346	1	Shaft Nut, 1-1/2"-12 Left Hand	47	3200155	1	Fitting, 1/2" Male Pipe to 3/4" Male Garden Hose
23	6040333	1	Blade Guard Mount	48	1800001	1	Warning Label
24	6010529	1	Tapered Mount Adapter				



CC8000 Parts List
Drawing 10
Pressure Limiter Assembly

Part #6040256 Pressure Limiter Kit for 30 GPM at 2500 PSI maximum (Includes #1 - #35)

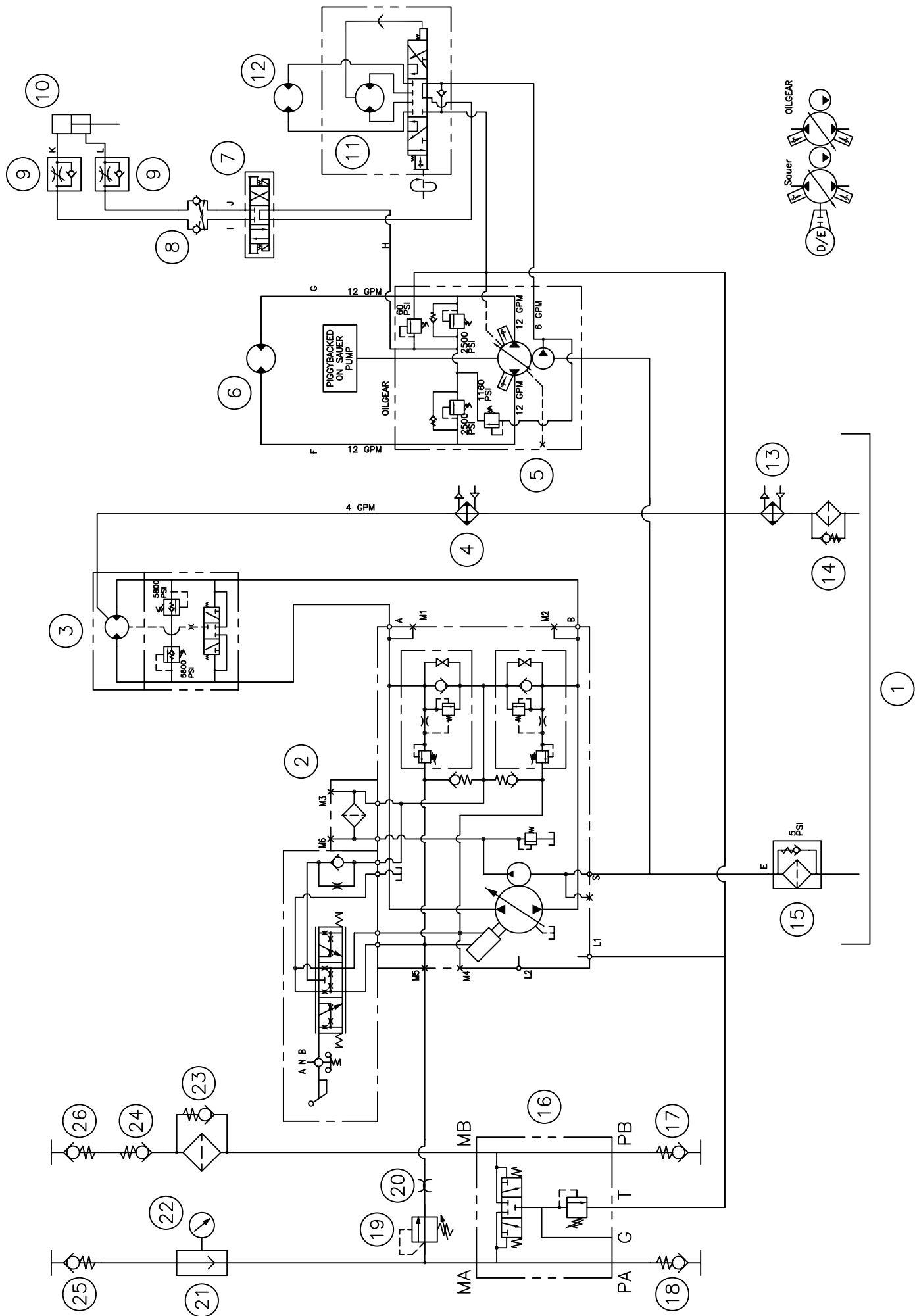
Diagram Number	Part No.	Qty. Reg.	Description	Diagram Number	Part No.	Qty. Reg.	Description
1	3200350	1	Flushing Valve Block Assembly	22	3200349	1	Restrictor, 3/8" O-Ring to 3/8" Male JIC
2	2500678	2	Vibration Isolator, 3/8"-16	23	6040255	1	Hose Assembly, 3/8" HP
3	6040253	1	Valve Block Platform	24	3200271	1	Elbow, 3/8" O-Ring to 3/8" Male JIC
4	2900014	2	Flat Washer, 3/8" SAE	25	3200328	1	Flow Meter
5	2900006	2	Lock Washer, 3/8" Split	26	3200228	1	Pressure Gauge
6	2900033	2	Hex Nut, 3/8"-16	27	3200036	1	Elbow, 3/4" Male Pipe
7	2900019	1	Capscrew, Hex Hd., 5/16"-18 x 3/4"	28	3200112	1	Elbow, 1" O-Ring to 3/4" Male JIC
8	2900031	3	Lock Washer, 5/16" Split	29	3200417	1	Elbow, 3/4" Female to 3/4" Male JIC
9	2900022	3	Flat Washer, 5/16" SAE	30	3200424	1	Adapter, 3/4" O-Ring to 3/4" Female JIC
10	2900289	2	Capscrew, Hex Hd., 5/16"-18 x 2-1/4"	31	3200351	1	Filter, High Pressure
11	3200298	1	Elbow, 3/4" O-Ring to 1/2" Male JIC		3200352	1	(Replacement Element)
12	6040254	1	Hose Assembly, 1/2" PL	32	3200510	1	Elbow, 3/4" O-Ring to 3/4" Female Pipe
13	3200138	3	Adapter, 1" O-Ring to 3/4" Female Pipe	33	3200329	1	Check Valve, 3/4" NPT
14	3200137	5	Hex Nipple, 3/4" NPT	34	3200324	3	Coupler, 3/4" QD (FFM) 5,000 PSI
15	3200512	2	Dust Cap	35	3200325	3	Nipple, 3/4" QD (FF)
16	3200100	1	Coupler, 3/4" QD (NS) 2,500 PSI	36	3200345	2	Hose Assembly, 3/4" x 48" HP
17	3200101	1	Nipple, 3/4" QD (NS)	37	3200346	2	Hose Assembly, 3/4" x 16" HP
18	3200310	1	Tee, 3/4" Female to 3/4" Male Pipe Run	38	(REF)	1	Sauer Pump
19	3200071	1	Reducer, 3/4" Male to 3/8" Female Pipe	39	(REF)	1	VOAC Motor
20	3200109	1	Adapter, 3/8" O-Ring to 3/8" Male Pipe	40	(REF)	1	Steering Support Brace
21	3200435	1	Pressure Relief Valve 2,500 PSI	41	(REF)	1	Manifold, Case Drain



CC8000 Parts List
Drawing 11
Slot Cutter Attachment

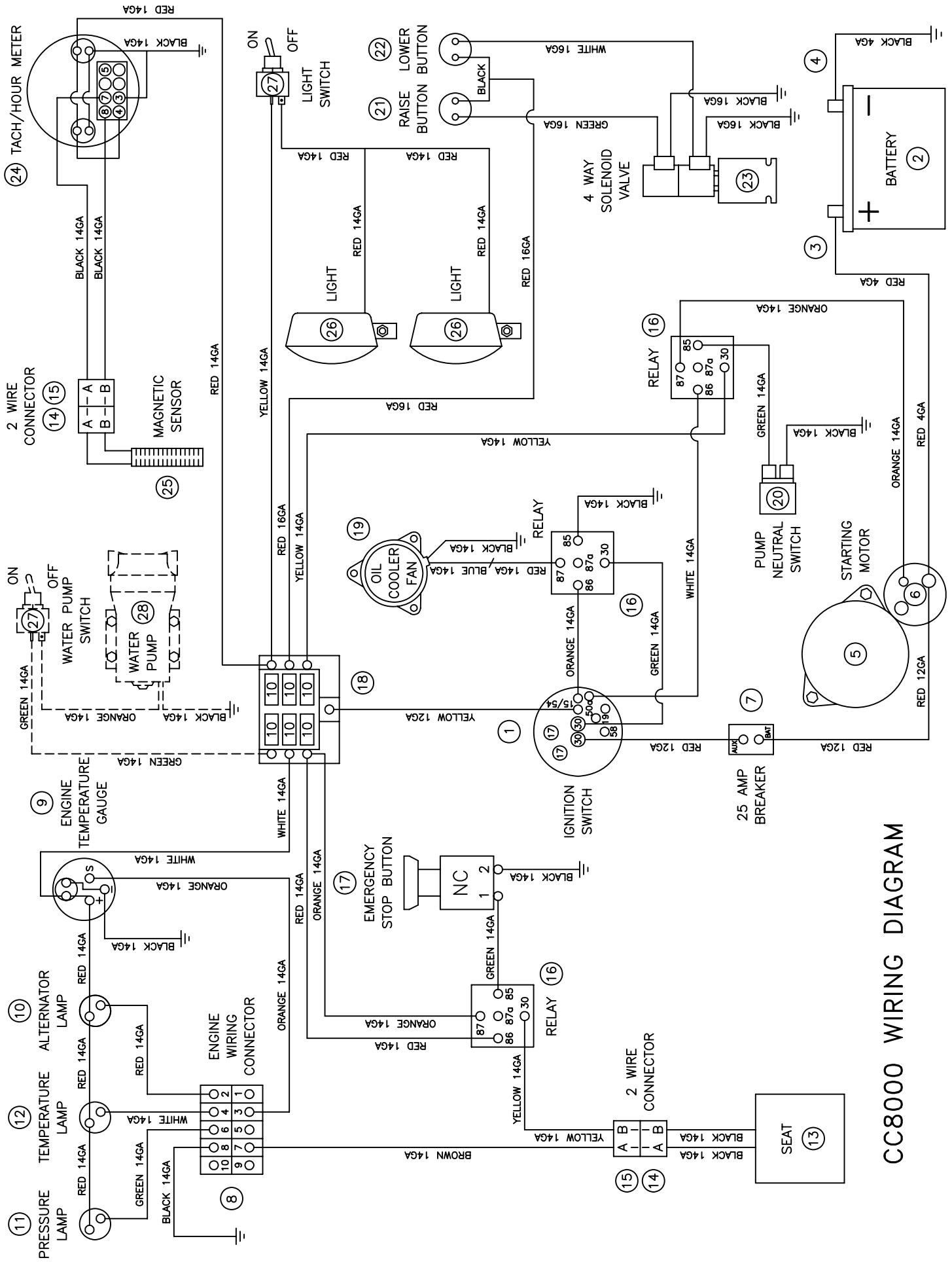
Part #6040294 Slot Cutter Attachment with Splined Shaft Motor

Diagram Number	Part No.	Qty. Reg.	Description	Diagram Number	Part No.	Qty. Reg.	Description
1	2600315	1	VOAC Motor with Splined Shaft	33	6040124	1	Inner Flange, 7"
2	2900139	4	Capscrew, Hex Hd., 1/2"-13 x 1-3/4"	34	6040125	1	Outer Flange, 7"
3	2900084	17	Lock Washer, 1/2" Split	35	2900406	1	Flat Washer, 1-3/4" USS
4	3200248	2	Flange Kit, 3/4" Split (Includes #5 - #7)	36	2900402	1	Lock Washer, 1-3/4" Split
5	3200338	4	Flange Half, 3/4" Split	37	2900401	1	Jam Nut, 1-3/4"-12
6	3200339	2	O-Ring, 3/4" Split Flange	38	6040116	2	Drive Pin, 3/8" Dia. X 28" Long
7	2900006	16	Lock Washer, 3/8" Split	39	6040293	1	Blade Guard, 24" Capacity
8	2900375	8	Capscrew, Hex Hd., 3/8"-16 x 4-1/2"	40	2900196	4	Capscrew, Hex Hd., 3/8"-16 x 3/4"
9	3200520	1	Hose Assembly, 3/4" x 75" HP	41	2900014	12	Flat Washer, 3/8" SAE
10	3200519	1	Hose Assembly, 3/4" x 80" HP	42	6040099	1	Splash Flap
11	2900025	4	Capscrew, Hex Hd., 1/2"-13 x 1-1/4"	43	2900144	7	Capscrew, Hex Hd., 1/4"-20 x 3/4"
12	2900009	6	Flat Washer, 1/4" SAE	44	6040111	1	Cylinder Attachment
13	2900013	8	Capscrew, Hex Hd., 3/8"-16 x 1-1/4"	45	2900010	7	Lock Nut, 1/4"-20 Nylon
14	3200287	1	Adapter, 5/8" O-Ring to 1/2" Male JIC	46	2500177	1	Cylinder, 2"
15	6040399	1	Hose Assembly, 1/2" x 130" PL	47	6010031	1	Cylinder Pin, 3"
16	6040289	1	Pivot Frame Weldment, 24" Blades	48	2900064	4	Hair Pin Cotter, 3/4"
17	2500787	3	Pillow Block Bearing, 1-5/8"	49	6010119	1	Cylinder Pin, 3-1/2"
18	6040097	1	Bearing Spacer, 5/8"	50	2900184	1	Grease Fitting, 1/4"-28 x 45°
19	2501500	1	Motor Coupling, 14 Tooth Spline Bore	51	3200057	2	Elbow, 1/4" Male Pipe to 1/4" Male JIC
20	2500960	1	Coupling Spider Insert	52	6040109	2	Hose Assembly, 1/4" x 14" HP
21	2500959	1	Shaft Coupling, 1-3/4"	53	3200314	1	Nipple, 1/8" QD
22	6040095	1	Motor Adapter	54	3200315	1	Coupler, 1/8" QD
23	2900105	3	Capscrew, Hex Hd., 1/2"-13 x 2-3/4"	55	6040106	1	Water Manifold Pipe
24	2400150	1	Handle	56	6040107	2	Manifold Bar
25	2900088	2	Capscrew, Soc. Hd., 1/4"-20 x 1"	57	2900024	4	Lock Washer, 1/4" Split
26	2500658	1	Flange Cartridge Bearing, 1-3/4"	58	2900241	2	U-Bolt, 1/4"-20
27	2900106	4	Capscrew, Hex Hd., 1/2"-13 x 2"	59	3200153	1	Pipe Plug, 3/8" NPT
28	2900058	4	Flat Washer, 1/2" SAE	60	3200050	9	Spray Nozzle, 1/8" NPT
29	6040288	1	Blade Shaft, 1-3/4"	61	3200209	1	Elbow, 1/2" Female Pipe
30	6048097	1	Key, 3/8" Sq. x 1-3/4"	62	3200155	1	Fitting, 1/2" Male Pipe to 3/4" Male Garden Hose
31	2900203	1	Dowel Pin, 3/8" x 3"	63	6010021	1	Water Hose Assembly, 42" Long
32	6010138	1	Key, 3/8" Sq. x 7/8"	64	2900080	2	Capscrew, Hex Hd., 1/2"-13 x 3-1/2"



CC8000 Parts List
Drawing 12
Hydraulic Circuit Schematic

Diagram Number	Part No.	Qty. Reg.	Description	Diagram Number	Part No.	Qty. Reg.	Description
1	6040021	1	Hydraulic Reservoir Tank	13	3200259	1	Oil Cooler (Air)
2	2600295	1	Sauer Pump	14	3200505	1	Return Filter Head
	2702208	1	(Pump Filter Element, Spin-On)		3200486	1	Filter Element, Spin-On
3	2600315	1	VOAC Motor with Splined Shaft		3200502	1	Filter Pressure Gauge
	2600203	1	VOAC Motor with Keyed Shaft	15	3200261	1	Suction Strainer
4	3200262	1	Oil Cooler (Water)	16	3200350	1	Optional Flushing Valve Block Assembly
5	2600212	1	Oilgear Pump	17	3200100	1	Coupler, 3/4" QD (NS) 2,500 PSI
6	2600213	1	Wheel Drive Motor	18	3200101	1	Nipple, 3/4" QD (NS)
7	3200257	1	Valve, 4 Way Solenoid	19	3200435	1	Pressure Relief Valve 2,500 PSI
	2701964	2	(Valve Coil Only)	20	3200349	1	Restrictor, 3/8" O-Ring to 3/8" Male JIC
8	3200258	1	Valve, Cylinder Lock	21	3200328	1	Flow Meter
9	3200056	2	Flow Control Valve	22	3200228	1	Pressure Gauge
10	2500896	1	Cylinder	23	3200351	1	Filter, High Pressure
	2500278	1	(Seal Kit)		3200352	1	(Replacement Element)
11	2600222	1	Steering Control Unit	24	3200329	1	Check Valve, 3/4" NPT
12	2600223	1	Steering Motor	25	3200324	1	Coupler, 3/4" QD (FFM) 5,000 PSI
				26	3200325	1	Nipple, 3/4" QD (FF)

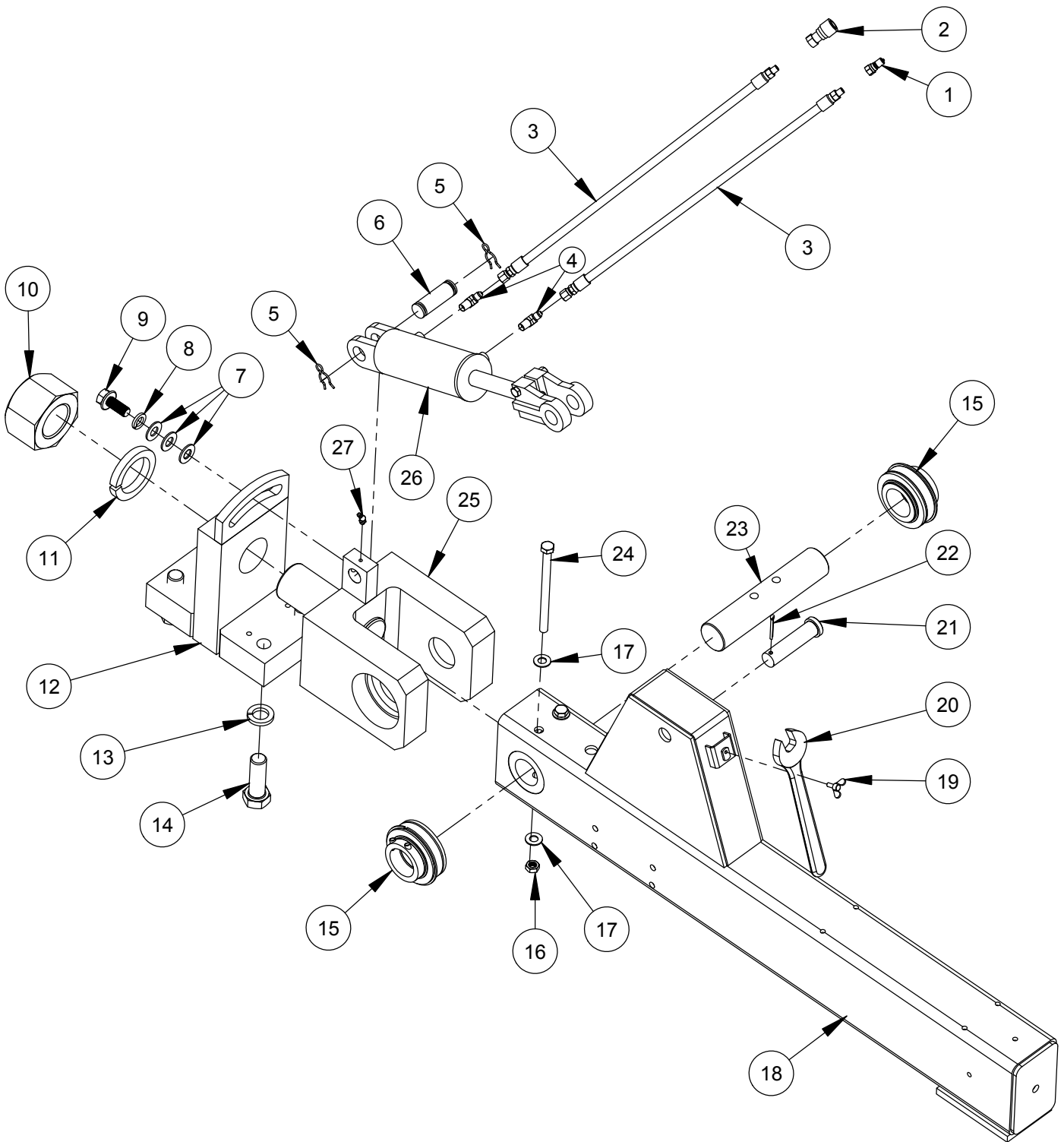


CC8000 WIRING DIAGRAM

CC8000 Parts List
Drawing 13
Wiring Diagram

Diagram Number	Part No.	Qty. Req.	Description	Diagram Number	Part No.	Qty. Req.	Description
1	2700783	1	Ignition Switch	15	2800146	2	Connector, 2 Wire Tower
	2701261	1	Ignition Key		2800115	4	Female Terminal, 14/16 Gage Wire
2	2700208	1	Battery, 12 Volt		2800174	4	Cable Seal, Gray
3	2800073	1	Battery Cable, Positive (Red)	16	2800144	3	Relay
4	2800072	1	Battery Cable, Negative (Black)		2800263	3	Relay Connector
	2800182	1	Ground Cable, Negative (Black)		2800264	12	Wire Terminal, 1/4" Push-on
5	2702274	1	Starting Motor (Includes #6)	17	2800461	1	Emergency Stop Button
6	2701823	1	Solenoid Switch		2800462	1	Contact Block N.C.
7	2800387	1	Circuit Breaker, 25 Amp	18	2800388	1	Fuse Panel, 6 Circuit
	2800364	1	Circuit Breaker Boot, Red		2800389	6	Fuse, 10 Amp Red ATO/ATC
8	2800376	1	Connector Housing	19	2701745	1	Oil Cooler Fan Motor Assembly
	2800377	6	Terminal, 14/16 Gage Wire	20	2702329	1	Pump Neutral Start Switch (NC)
9	2702333	1	Engine Temperature Gauge	21	2800372	1	Pushbutton Switch, Raise
10	2700785	1	Alternator Light	22	2800373	1	Pushbutton Switch, Lower
	2700923	1	(Bulb Only)	23	3200257	1	Valve, 4 Way Solenoid
11	2700786	1	Oil Pressure Light		2701964	2	(Valve Coil Only)
	2700923	1	(Bulb Only)	24	6010416	1	Tach/Hour Meter
12	2700787	1	Oil Temperature Light		2800267	1	Light Bulb, Wedge Base
	2700923	1	(Bulb Only)	25	2800169	1	Magnetic Sensor (Includes #14)
13	2500761	1	Seat	26	2500194	2	Spot Light, 12 Volt
14	2800145	2	Connector, 2 Wire Shroud	27	2800062	2	Toggle Switch
	2800114	4	Male Terminal, 14/16 Gage Wire		2800063	2	Switch Boot
	2800174	4	Cable Seal, Gray	28	2600200	1	Optional Water Pump, Diaphragm

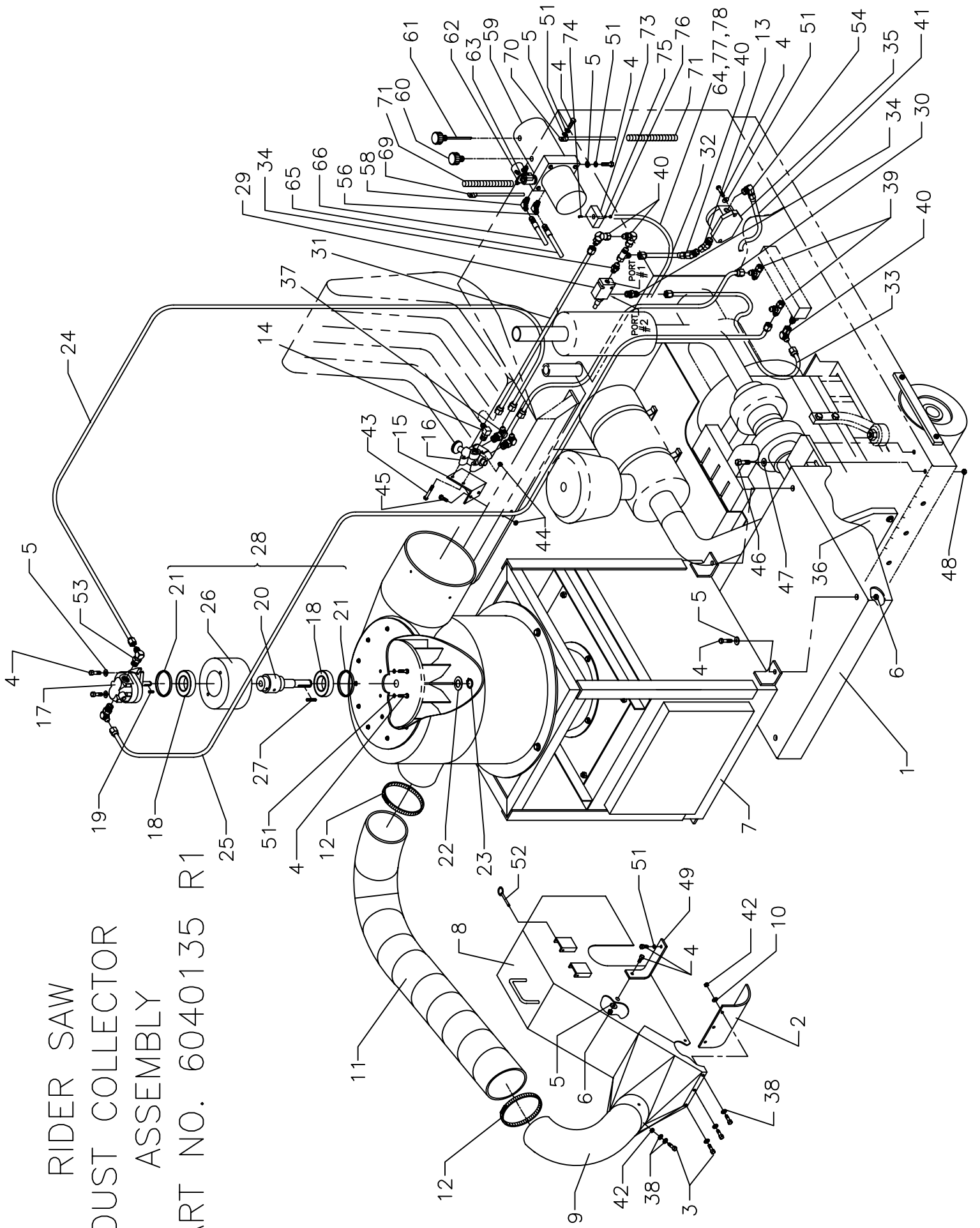
Optional Angle Cutting Arm Assembly #6040159



Optional Angle Cutting Arm Assembly #6040159

ITEM	PART NO.	QTY.	DESCRIPTION
1	3200314	1	Nipple, 1/8" Quick Disconnect
2	3200315	1	Coupler, 1/8" Quick Disconnect
3	6040115	2	Hose Assembly 1/4" x 22" HP
4	3201663	2	Elbow, 1/4" M. Pipe to 1/4" M. JIC (45 deg)
5	2900064	2	Hair Pin Cotter, 3/4"
6	6010031	1	Cylinder Pin, 1" Dia. x 3" Long
7	2900002	3	Flat Washer, 5/8" SAE
8	2900113	1	Lock Washer, 5/8" Split
9	2900164	1	Cap Screw, Flange Hd., 5/8-11 x 1-1/2"
10	2900546	1	2 1/2" - 4 Hex Nut
11	2900350	1	2 1/2" Lock Washer Split
12	6040161	1	Angle Arm Mount Weldment
13	2900365	4	Lock Washer, 1" Split
14	2900370	4	1" - 8 x 3" Hex HD Capscrew
15	2500746	2	Bearing, 2" Insert
16	2900026	2	1/2"-13 Jam Nut
17	2900058	4	1/2 FLAT WASHER
18	6040162	1	Angle Arm Weldment
19	2900307	1	Wing Screw, M6 x 16mm
20	2500211	1	Wrench, 15/16" Open End
21	2900433	1	Clevis Pin, 1" x 4"
22	2900440	1	Cotter Pin, 3/16" x 1-1/2"
23	6040009	1	Pivot Shaft
24	2900376	2	Cap Screw, Hex Head., 1/2-13 x 7"
25	6040160	1	Angle Arm Clevis
26	2501145	1	Hydraulic Cylinder
27	2900184	1	Grease Fitting, 1/4" NPT x 45 degree

RIDER SAW
DUST COLLECTOR
ASSEMBLY
PART NO. 6040135 R1



RIDER SAW DUST COLLECTOR

PART NO. 6040135

<u>ITEM</u>	<u>PART #.</u>	<u>QTY</u>	<u>DESCRIPTION</u>	<u>ITEM</u>	<u>PART #.</u>	<u>QTY</u>	<u>DESCRIPTION</u>
1	6040134	1	FRAME EXTENSION	40	3200304	4	½" MJIC x ½" FJIC ELBOW, 90°
2	6040271	1	RUBBER 1/8" THK. x 6" WIDE x 8-1/2" LG.	41	6040172	1	HOSE ASSEMBLY, ¾" X 24" LP
3	2900008	7	¼-20 x 1" LG. HEX HD. CAP SCREW	42	2900010	7	¼-20 LOCK NUT, NYLON
4	2900005	7	3/8-16 X 1" HEX HD. CAP SCREW	43	2900289	2	5/16-18 x 2-1/4" HEX HD. CAP SCREW
5	2900014	10	3/8" FLATWASHER, SAE	44	2900039	8	5/16-18 LOCKNUT, NYLON
6	2900018	2	3/8-16 LOCK NUT, NYLON	45	2900217	2	5/16-18 x 1-1/4" HEX HD. CAPSCREW
7	2501201	1	DUST KOP CYCLONE COLLECTOR	46	2900139	4	½-13 x 1-3/4" HEX HD. CAP SCREW
8	6040145	1	BLADE GUARD	47	2900127	4	½" FLAT WASHER, USS
9	6040146	1	6" ELBOW, 90 DEGREE, 11 GA. ST'L.	48	2900026	4	½" LOCKNUT, NYLON
10	2900083	3	¼" FENDER WASHER	49	6040025	1	BLADE GUARD BRACE
11	6040205	1	HOSE. 6" I.D. X 48" LONG	50	2703093	1	O-RING, 3-3/8 x .062"
12	2501239	2	CLAMP, HOSE, 3-5/8-6-1/2" DIA.	51	2900006	7	3/8" LOCKWASHER, SPLIT
13	3200422	1	1/2" MJIC TO 5/8"M. O-RING ELBOW, 45°	52	2900279	1	LANYARD WITH LOCKPIN
14	3200285	1	½" M. O-RING TO ½" MJIC ELBOW, 90°	53	3200298	2	½" MJIC TO ¾"M. O-RING ELBOW, 90°
15	6040148	1	MOUNTING BRKT. FOR HYD. SEL. VALVE	54	3200400	1	3/4" M O-RING TO 3/4" MJIC ELBOW, 90°
16	3200434	1	HYDRAULIC SELECTOR VALVE, 3-WAY	55	3200495	1	1" FJIC TO 3/4" MJIC REDUCER
17	2600291	1	HYDRAULIC MOTOR, .37 C.I.	56	3200116	1	1/4" M. O-RING TO 3/8" MJIC ELBOW
18	2500686	2	BEARING, 50mm X 90mm X 20mm	57	3200487	1	1" JIC SWIVEL NUT RUN T
19	6048018	1	KEY, 3/16 X ¾" LONG	58	3200271	1	3/8" M. O-RING TO 3/8" MJIC ELBOW
20	6040136	1	SHAFT FOR HYD. MOTOR TO FAN	59	2600070	1	HYD. PUMP (INCLUDES #60 - #63)
21	6040139	2	SPACER, 3.539 OD x 3.270 ID x .250 W	60	2700321	1	BREATHER CAP, 3/8 NPT
22	2900459	1	1.875 O.D. X 1.156 I.D. X .125 THK., WASH	61	2701815	1	DIPSTICK
23	2501276	1	1-1/8" RETAINING RING, EXTERNAL	62	2700169	1	SOLENOID, MOTOR
24	6040153	1	HOSE ASSEMBLY, ½" x 133" HP	63	2700243	1	VALVE COIL
25	6040154	1	HOSE ASSEMBLY, ½" x 102" HP		2700244	1	VALVE STEM
26	6040137	1	PILLOW BLOCK	64	6010398	1	WIRE COVER, 3/8" ID X 70"
27	6010169	1	KEY, ¼" x 1-1/4" LONG	65	6040276	1	HOSE ASSEMBLY, 3/8" X 63" HP
28	6040140	1	PILLOW BLOCK ASSEMBLY, INCLUDES 18, 20-23,26	66	6040275	1	HOSE ASSEMBLY, 3/8" X 54" HP
29	3200435	1	PRESSURE RELIEF VALVE, 2600 PSI	67	2800068	10	WIRE TIE, 7-1/2", WHITE
30	6040155	1	HOSE ASSEMBLY, ½" X 67" HP	68	6010394	1	WIRE ASSY., 14 GAGE, RED, 12"
31	6040156	2	HOSE ASSEMBLY, ½" X 47" HP	69	2800513	1	RED BATTERY CABLE 90"
32	6040157	1	HOSE ASSEMBLY, ½" X 40" HP	70	2800514	1	BLACK BATTERY CABLE 90"
33	6040158	1	HOSE ASSEMBLY, 3/8" X 21" HP	71	6010397	2	WIRE COVER, 3/8" ID X 10"
34	3200266	1	3/8" M. O-RING TO ½" MJIC ADAPTER	72	6010396	1	WIRE ASSY., 14 GAGE, GREEN, 72"
35	2600365	1	HYD. PUMP	73	2800368	1	RECTIFIER/DIODE
36	2501270	1	V BELT GUARD	74	2900211	1	#10-32 x 1-1/4 RD HD SCREW
37	3200367	2	½" M. O-RING TO ½" M. JIC ELBOW, 45°	75	2900038	1	#10 LOCK WASHER
38	2900009	9	¼" FLAT WASHER, SAE	76	2900188	1	#10-32 HEX. NUT
39	3200332	3	½" MJIC x ½" FJIC SWIVEL NUT RUN TEE	77	6010395	1	WIRE ASSY., 14 GAGE, WHITE, 72"

ITEMS 4, 5, 51, 56 & 58-77 ARE IN
AUXILIARY PUMP ASSEMBLY 6010337

HOSES 24, 25, 30-33, & 41
ARE IN KIT 6040277

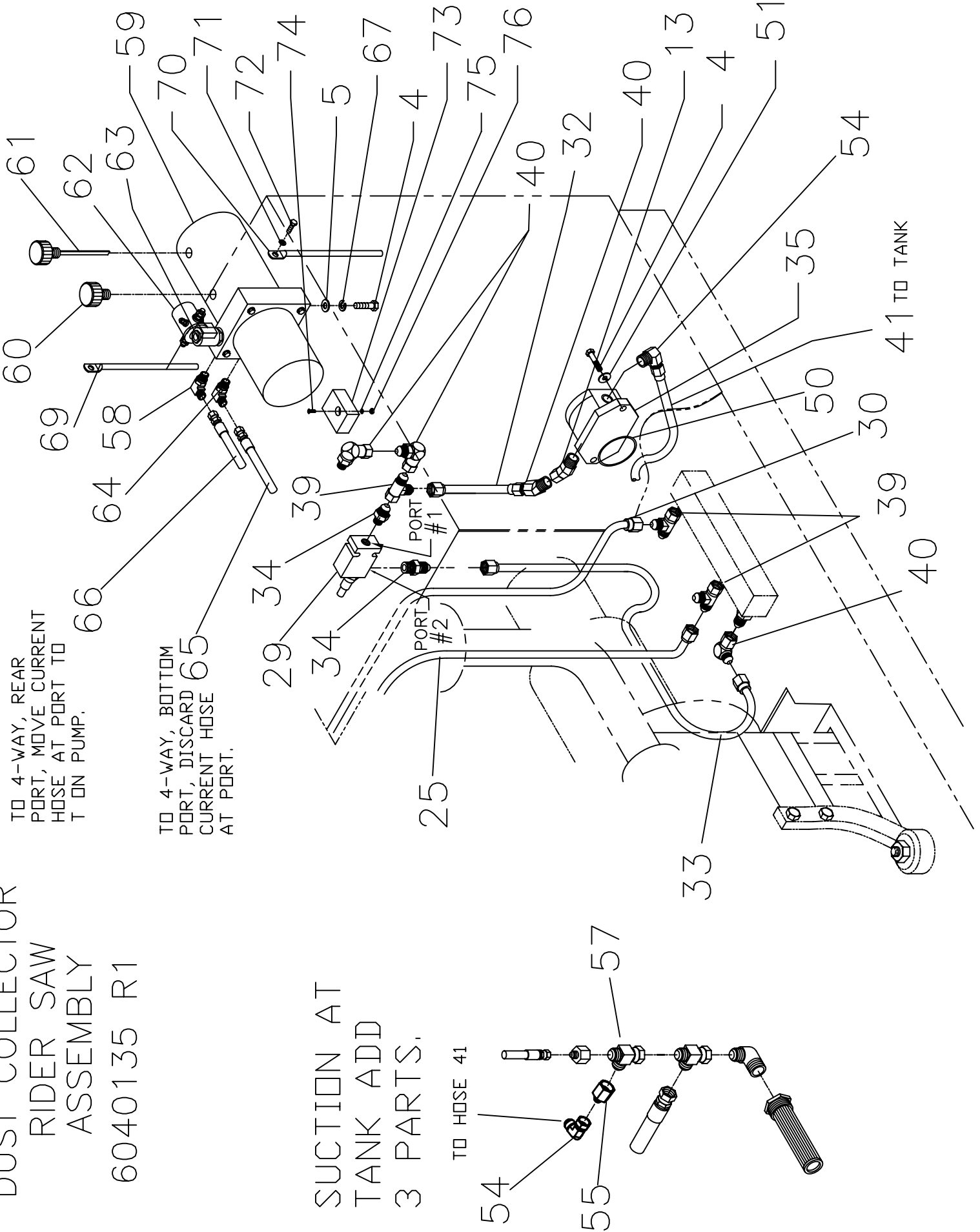
DUST COLLECTOR
 RIDER SAW
 ASSEMBLY
 6040135 R1

TO 4-WAY, REAR
 PORT, MOVE CURRENT
 HOSE AT PORT TO
 T ON PUMP.

TO 4-WAY, BOTTOM
 PORT, DISCARD
 CURRENT HOSE
 AT PORT.

SUCTION AT
 TANK ADD
 3 PARTS.

TO HOSE 41



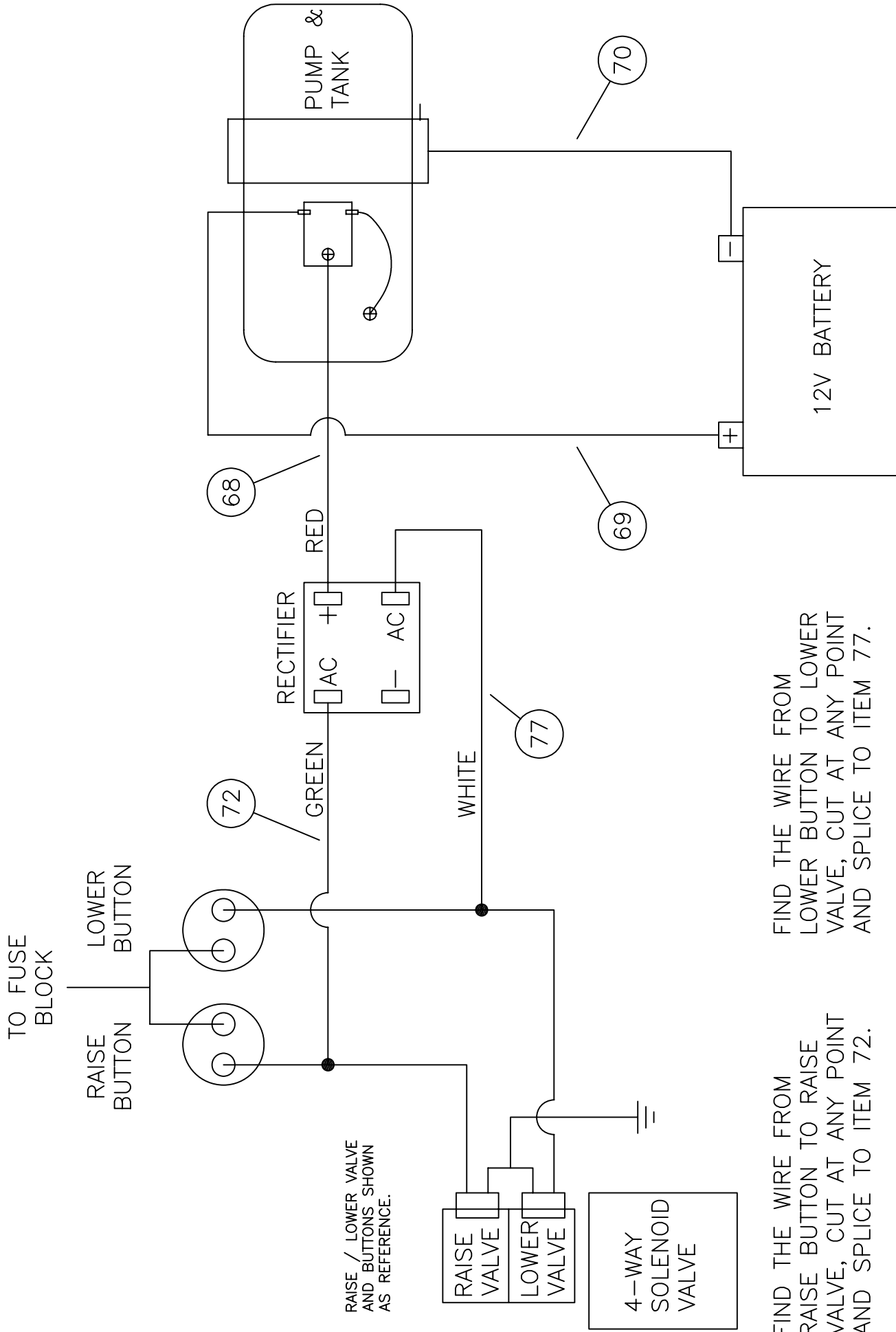
RIDER SAW DUST COLLECTOR

PART NO. 6040135

<u>ITEM</u>	<u>PART #.</u>	<u>QTY</u>	<u>DESCRIPTION</u>	<u>ITEM</u>	<u>PART #.</u>	<u>QTY</u>	<u>DESCRIPTION</u>
1	6040134	1	FRAME EXTENSION	40	3200304	4	½" MJIC x ½" FJIC ELBOW, 90°
2	6040271	1	RUBBER 1/8" THK. x 6" WIDE x 8-1/2" LG.	41	6040172	1	HOSE ASSEMBLY, ¾" X 24" LP
3	2900008	7	¼-20 x 1" LG. HEX HD. CAP SCREW	42	2900010	7	¼-20 LOCK NUT, NYLON
4	2900005	7	3/8-16 X 1" HEX HD. CAP SCREW	43	2900289	2	5/16-18 x 2-1/4" HEX HD. CAP SCREW
5	2900014	10	3/8" FLATWASHER, SAE	44	2900039	8	5/16-18 LOCKNUT, NYLON
6	2900018	2	3/8-16 LOCK NUT, NYLON	45	2900217	2	5/16-18 x 1-1/4" HEX HD. CAPSCREW
7	2501201	1	DUST KOP CYCLONE COLLECTOR	46	2900139	4	½-13 x 1-3/4" HEX HD. CAP SCREW
8	6040145	1	BLADE GUARD	47	2900127	4	½" FLAT WASHER, USS
9	6040146	1	6" ELBOW, 90 DEGREE, 11 GA. ST'L.	48	2900026	4	½" LOCKNUT, NYLON
10	2900083	3	¼" FENDER WASHER	49	6040025	1	BLADE GUARD BRACE
11	6040205	1	HOSE. 6" I.D. X 48" LONG	50	2703093	1	O-RING, 3-3/8 x .062"
12	2501239	2	CLAMP, HOSE, 3-5/8-6-1/2" DIA.	51	2900006	7	3/8" LOCKWASHER, SPLIT
13	3200422	1	1/2" MJIC TO 5/8"M. O-RING ELBOW, 45°	52	2900279	1	LANYARD WITH LOCKPIN
14	3200285	1	½" M. O-RING TO ½" MJIC ELBOW, 90°	53	3200298	2	½" MJIC TO ¾"M. O-RING ELBOW, 90°
15	6040148	1	MOUNTING BRKT. FOR HYD. SEL. VALVE	54	3200400	1	3/4" M O-RING TO 3/4" MJIC ELBOW, 90°
16	3200434	1	HYDRAULIC SELECTOR VALVE, 3-WAY	55	3200495	1	1" FJIC TO 3/4" MJIC REDUCER
17	2600291	1	HYDRAULIC MOTOR, .37 C.I.	56	3200116	1	1/4" M. O-RING TO 3/8" MJIC ELBOW
18	2500686	2	BEARING, 50mm X 90mm X 20mm	57	3200487	1	1" JIC SWIVEL NUT RUN T
19	6048018	1	KEY, 3/16 X ¾" LONG	58	3200271	1	3/8" M. O-RING TO 3/8" MJIC ELBOW
20	6040136	1	SHAFT FOR HYD. MOTOR TO FAN	59	2600070	1	HYD. PUMP (INCLUDES #60 - #63)
21	6040139	2	SPACER, 3.539 OD x 3.270 ID x .250 W	60	2700321	1	BREATHER CAP, 3/8 NPT
22	2900459	1	1.875 O.D. X 1.156 I.D. X .125 THK., WASH	61	2701815	1	DIPSTICK
23	2501276	1	1-1/8" RETAINING RING, EXTERNAL	62	2700169	1	SOLENOID, MOTOR
24	6040153	1	HOSE ASSEMBLY, ½" x 133" HP	63	2700243	1	VALVE COIL
25	6040154	1	HOSE ASSEMBLY, ½" x 102" HP		2700244	1	VALVE STEM
26	6040137	1	PILLOW BLOCK	64	6010398	1	WIRE COVER, 3/8" ID X 70"
27	6010169	1	KEY, ¼" x 1-1/4" LONG	65	6040276	1	HOSE ASSEMBLY, 3/8" X 63" HP
28	6040140	1	PILLOW BLOCK ASSEMBLY, INCLUDES 18, 20-23,26	66	6040275	1	HOSE ASSEMBLY, 3/8" X 54" HP
29	3200435	1	PRESSURE RELIEF VALVE, 2600 PSI	67	2800068	10	WIRE TIE, 7-1/2", WHITE
30	6040155	1	HOSE ASSEMBLY, ½" X 67" HP	68	6010394	1	WIRE ASSY., 14 GAGE, RED, 12"
31	6040156	2	HOSE ASSEMBLY, ½" X 47" HP	69	2800513	1	RED BATTERY CABLE 90"
32	6040157	1	HOSE ASSEMBLY, ½" X 40" HP	70	2800514	1	BLACK BATTERY CABLE 90"
33	6040158	1	HOSE ASSEMBLY, 3/8" X 21" HP	71	6010397	2	WIRE COVER, 3/8" ID X 10"
34	3200266	1	3/8" M. O-RING TO ½" MJIC ADAPTER	72	6010396	1	WIRE ASSY., 14 GAGE, GREEN, 72"
35	2600365	1	HYD. PUMP	73	2800368	1	RECTIFIER/DIODE
36	2501270	1	V BELT GUARD	74	2900211	1	#10-32 x 1-1/4 RD HD SCREW
37	3200367	2	½" M. O-RING TO ½" M. JIC ELBOW, 45°	75	2900038	1	#10 LOCK WASHER
38	2900009	9	¼" FLAT WASHER, SAE	76	2900188	1	#10-32 HEX. NUT
39	3200332	3	½" MJIC x ½" FJIC SWIVEL NUT RUN TEE	77	6010395	1	WIRE ASSY., 14 GAGE, WHITE, 72"

ITEMS 4, 5, 51, 56 & 58-77 ARE IN
AUXILIARY PUMP ASSEMBLY 6010337

HOSES 24, 25, 30-33, & 41
ARE IN KIT 6040277



FIND THE WIRE FROM
 RAISE BUTTON TO RAISE
 VALVE, CUT AT ANY POINT
 AND SPLICE TO ITEM 72.

FIND THE WIRE FROM
 LOWER BUTTON TO LOWER
 VALVE, CUT AT ANY POINT
 AND SPLICE TO ITEM 77.

A CONVENIENT SPLICE POINT IS INSIDE THE
 CONTROL GAGE ADJACENT TO THE SEAT.

RIDER SAW DUST COLLECTOR

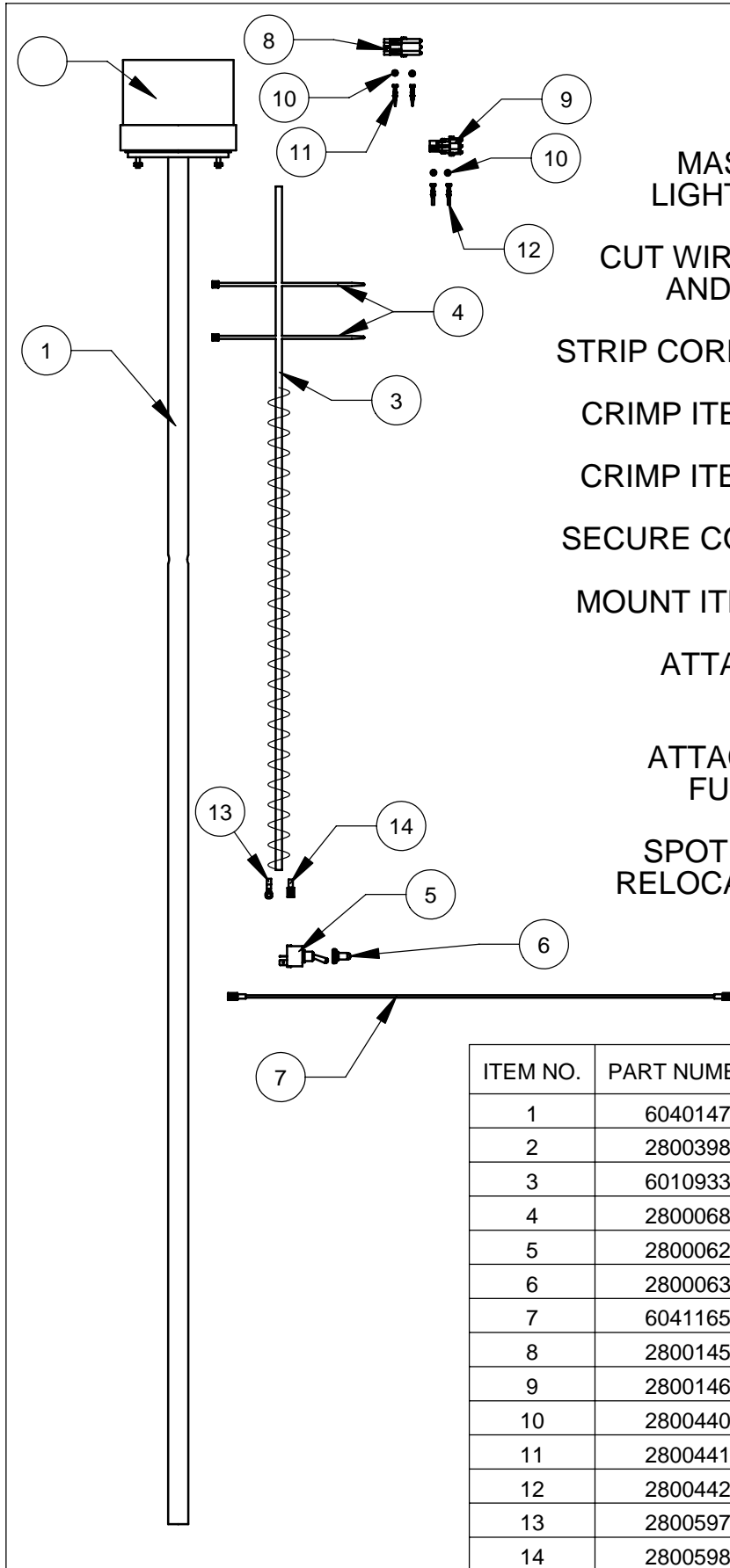
PART NO. 6040135

<u>ITEM</u>	<u>PART #.</u>	<u>QTY</u>	<u>DESCRIPTION</u>	<u>ITEM</u>	<u>PART #.</u>	<u>QTY</u>	<u>DESCRIPTION</u>
1	6040134	1	FRAME EXTENSION	40	3200304	4	½" MJIC x ½" FJIC ELBOW, 90°
2	6040271	1	RUBBER 1/8" THK. x 6" WIDE x 8-1/2" LG.	41	6040172	1	HOSE ASSEMBLY, ¾" X 24" LP
3	2900008	7	¼-20 x 1" LG. HEX HD. CAP SCREW	42	2900010	7	¼-20 LOCK NUT, NYLON
4	2900005	7	3/8-16 X 1" HEX HD. CAP SCREW	43	2900289	2	5/16-18 x 2-1/4" HEX HD. CAP SCREW
5	2900014	10	3/8" FLATWASHER, SAE	44	2900039	8	5/16-18 LOCKNUT, NYLON
6	2900018	2	3/8-16 LOCK NUT, NYLON	45	2900217	2	5/16-18 x 1-1/4" HEX HD. CAPSCREW
7	2501201	1	DUST KOP CYCLONE COLLECTOR	46	2900139	4	½-13 x 1-3/4" HEX HD. CAP SCREW
8	6040145	1	BLADE GUARD	47	2900127	4	½" FLAT WASHER, USS
9	6040146	1	6" ELBOW, 90 DEGREE, 11 GA. ST'L.	48	2900026	4	½" LOCKNUT, NYLON
10	2900083	3	¼" FENDER WASHER	49	6040025	1	BLADE GUARD BRACE
11	6040205	1	HOSE. 6" I.D. X 48" LONG	50	2703093	1	O-RING, 3-3/8 x .062"
12	2501239	2	CLAMP, HOSE, 3-5/8-6-1/2" DIA.	51	2900006	7	3/8" LOCKWASHER, SPLIT
13	3200422	1	1/2" MJIC TO 5/8"M. O-RING ELBOW, 45°	52	2900279	1	LANYARD WITH LOCKPIN
14	3200285	1	½" M. O-RING TO ½" MJIC ELBOW, 90°	53	3200298	2	½" MJIC TO ¾"M. O-RING ELBOW, 90°
15	6040148	1	MOUNTING BRKT. FOR HYD. SEL. VALVE	54	3200400	1	3/4" M O-RING TO 3/4" MJIC ELBOW, 90°
16	3200434	1	HYDRAULIC SELECTOR VALVE, 3-WAY	55	3200495	1	1" FJIC TO 3/4" MJIC REDUCER
17	2600291	1	HYDRAULIC MOTOR, .37 C.I.	56	3200116	1	1/4" M. O-RING TO 3/8" MJIC ELBOW
18	2500686	2	BEARING, 50mm X 90mm X 20mm	57	3200487	1	1" JIC SWIVEL NUT RUN T
19	6048018	1	KEY, 3/16 X ¾" LONG	58	3200271	1	3/8" M. O-RING TO 3/8" MJIC ELBOW
20	6040136	1	SHAFT FOR HYD. MOTOR TO FAN	59	2600070	1	HYD. PUMP (INCLUDES #60 - #63)
21	6040139	2	SPACER, 3.539 OD x 3.270 ID x .250 W	60	2700321	1	BREATHER CAP, 3/8 NPT
22	2900459	1	1.875 O.D. X 1.156 I.D. X .125 THK., WASH	61	2701815	1	DIPSTICK
23	2501276	1	1-1/8" RETAINING RING, EXTERNAL	62	2700169	1	SOLENOID, MOTOR
24	6040153	1	HOSE ASSEMBLY, ½" x 133" HP	63	2700243	1	VALVE COIL
25	6040154	1	HOSE ASSEMBLY, ½" x 102" HP		2700244	1	VALVE STEM
26	6040137	1	PILLOW BLOCK	64	6010398	1	WIRE COVER, 3/8" ID X 70"
27	6010169	1	KEY, ¼" x 1-1/4" LONG	65	6040276	1	HOSE ASSEMBLY, 3/8" X 63" HP
28	6040140	1	PILLOW BLOCK ASSEMBLY, INCLUDES 18, 20-23,26	66	6040275	1	HOSE ASSEMBLY, 3/8" X 54" HP
29	3200435	1	PRESSURE RELIEF VALVE, 2600 PSI	67	2800068	10	WIRE TIE, 7-1/2", WHITE
30	6040155	1	HOSE ASSEMBLY, ½" X 67" HP	68	6010394	1	WIRE ASSY., 14 GAGE, RED, 12"
31	6040156	2	HOSE ASSEMBLY, ½" X 47" HP	69	2800513	1	RED BATTERY CABLE 90"
32	6040157	1	HOSE ASSEMBLY, ½" X 40" HP	70	2800514	1	BLACK BATTERY CABLE 90"
33	6040158	1	HOSE ASSEMBLY, 3/8" X 21" HP	71	6010397	2	WIRE COVER, 3/8" ID X 10"
34	3200266	1	3/8" M. O-RING TO ½" MJIC ADAPTER	72	6010396	1	WIRE ASSY., 14 GAGE, GREEN, 72"
35	2600365	1	HYD. PUMP	73	2800368	1	RECTIFIER/DIODE
36	2501270	1	V BELT GUARD	74	2900211	1	#10-32 x 1-1/4 RD HD SCREW
37	3200367	2	½" M. O-RING TO ½" M. JIC ELBOW, 45°	75	2900038	1	#10 LOCK WASHER
38	2900009	9	¼" FLAT WASHER, SAE	76	2900188	1	#10-32 HEX. NUT
39	3200332	3	½" MJIC x ½" FJIC SWIVEL NUT RUN TEE	77	6010395	1	WIRE ASSY., 14 GAGE, WHITE, 72"

ITEMS 4, 5, 51, 56 & 58-77 ARE IN
AUXILIARY PUMP ASSEMBLY 6010337

HOSES 24, 25, 30-33, & 41
ARE IN KIT 6040277

6040338 STROBE LIGHT ASSEMBLY



MAST 1 REPLACES CURRENT LIGHT EXTENSION BAR, 6040138.

CUT WIRES AT STROBE TO ~4" . STRIP AND ATTACH ITEMS 8, 10, & 11.

STRIP CORD 3 AND ATTACH ITEMS 9, 10, & 12.

CRIMP ITEM 14 TO WHITE WIRE OF CORD.

CRIMP ITEM 13 TO BLACK WIRE OF CORD.

SECURE CORD 3 TO BRACKET WITH ITEM 4.

MOUNT ITEM 5 TO HOLE IN GAUGE PANEL.

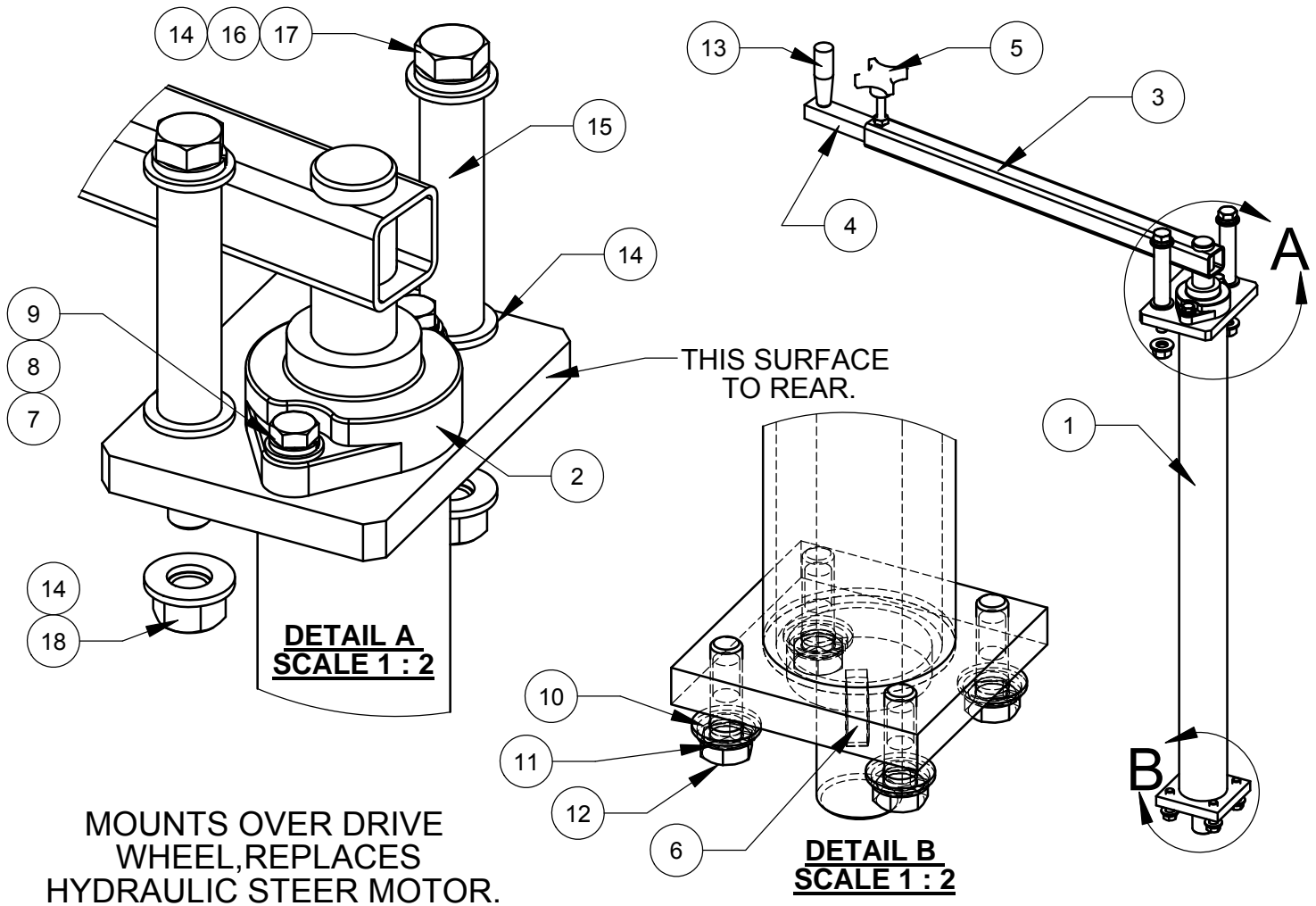
ATTACH CORD TO SWITCH (14) AND GROUND (13).

ATTACH WIRE 7 TO SWITCH AND FUSE PANEL (NOT SHOWN).

SPOTLIGHT 2500194 CAN NOW BE RELOCATED DIRECTLY TO THE MAST.

ITEM NO.	PART NUMBER	DESCRIPTION	QTY.
1	6040147	Light Mast	1
2	2800398	Strobe Light	1
3	6010933	Cord, 18 Ga., x 2 Wire, 2' Coiled	1
4	2800068	Tie Wrap, 7-1/2"	2
5	2800062	Toggle Switch On/Off	1
6	2800063	Switch Boot	1
7	6041165	Wire Assy., 16 Ga., x 24"	1
8	2800145	Connector, 2 Wire Shroud	1
9	2800146	Connector, Tower 2 Wire	1
10	2800440	Cable Seal	4
11	2800441	20-18 Gage Male Terminal	2
12	2800442	20-18 Gage Female Terminal	2
13	2800597	22-18 Gage Terminal Ring, 1/4"	1
14	2800598	22-18 Gage Push On, Female	1

6010447 CC8000 TILLER STEERING OPTION

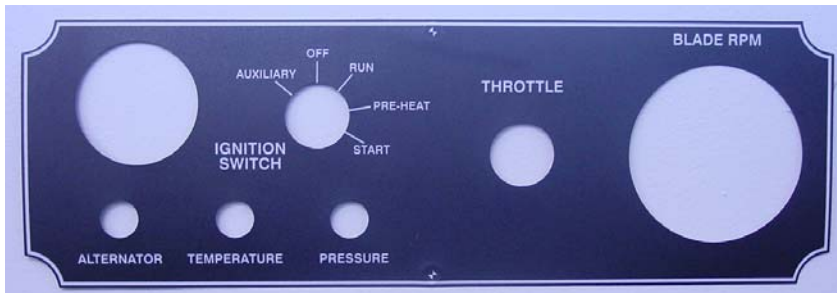


ITEM NO.	PART NUMBER	QTY.	DESCRIPTION
1	6010453	1	Tiller Steer Weldment
2	2501638	1	Bearing, 1" Flanged, 2-Bolt
3	6010454	1	Tiller Steering Weldment
4	6010455	1	Bar, 3/4 x 1 x 22-1/2"
5	2900234	1	Hand Lock Knob, 3/8"-16
6	2701901	1	Key, Woodruff, 1/4 x 1.0 Dia.
7	2900022	2	Flat Washer, 5/16" SAE
8	2900031	2	Lock Washer, 5/16" Split
9	2900138	2	Cap Screw, Hex Hd., 5/16-18 x 1"
10	2900014	4	Flat Washer, 3/8" SAE
11	2900006	4	Lock Washer, 3/8" Split
12	2900013	4	Cap Screw, Hex Hd., 3/8-16 x 1-1/4"
13	2505085	1	Machine Handle, Revolving
14	2900058	6	Flat Washer, 1/2" SAE
15	6010463	2	Spacer Tube, 3/4 OD x 13 Gage
16	2900084	2	Lock Washer, 1/2" Split
17	2900395	2	Cap Screw, Hex Hd., 1/2-13 x 5"
18	2900037	2	Hex Nut, 1/2-13

CC8000 Parts List
 Drawing 14
 Decal Group



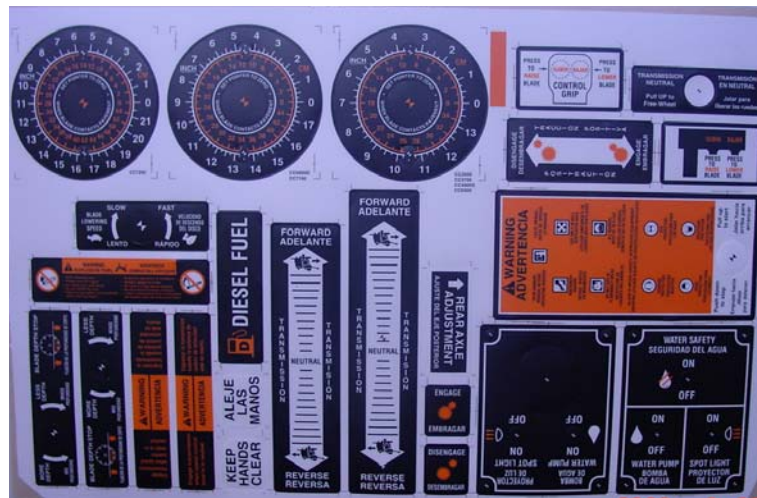
CORE CUT DECAL
 #1800443 (Qty 3)



INSTRUMENT PANEL DECAL
 #1800348



WARNING DECAL
 #1800001 (Qty 3)



SAW LABELS SHEET
 #1800351

Blade Speed (RPM) Chart Model CC8000 Rider Concrete Saw

WARNING: Do not exceed blade shaft speed (RPM) shown for each blade size. Excessive blade speed control could result in blade breakage and serious personal injury.

Blade Size	No Load RPM	Max. Depth of Cut
14"	3000	3-3/4"
20"	2450	6-3/4"
26"	1950	9-3/4"
30"	1650	11-3/4"
36"	1400	14-3/4"
42"	1050	16-3/4"
48"	850	19-3/4"
54"	775	22-3/4"

WARNING: When changing blade size, use chart shown below for selecting items that must be changed.

Blade Size	Blade Guard Assembly	Inner Flange (Flange Size)	Outer Flange (Flange Size)
14"	6010070	6010038 (6")	6010039 (6")
20"	6010072	6010038 (6")	6010039 (6")
26"	6010074	6010038 (6")	6010039 (6")
30"	6010076	6010038 (6")	6010039 (6")
36"	6010260	6010038 (6")	6010039 (6")
42"	6010143	6013017 (8")	6013018 (8")
48"	6010145	6013017 (8")	6013018 (8")
54"	6010183	6013017 (8")	6013018 (8")

EQUIPMENT AND PARTS WARRANTY

Diamond Products warrants all equipment manufactured by it against defects in workmanship or materials for a period of one (1) year from the date of shipment to Customer.

The responsibility of Diamond Products under this Warranty is limited to replacement or repair of defective parts at Diamond Products' Elyria, Ohio factory, or at a point designated by it, of such parts as shall appear to us upon inspection at such parts, to have been defective in material or workmanship, with expense for transportation and labor borne by Customer.

In no event shall Diamond Products be liable for consequential or incidental damages arising out of the failure of any Product to operate properly.

Integral units such as engines, electric motors, batteries, transmissions, etc., are excluded from this Warranty and are subject to the prime manufacturer's warranty.

THIS WARRANTY IS IN LIEU OF ALL OTHER WARRANTIES, EXPRESSED OR IMPLIED, AND ALL SUCH OTHER WARRANTIES ARE HEREBY DISCLAIMED.



333 Prospect Street, Elyria, Ohio 44035
(440) 323-4616 • (800) 321-5336 • Fax (440) 323-8689
www.diamondproducts.com