

DIAMOND
PRODUCTS

CONCRETE SAW
PARTS LIST

MODEL
CC8000

(Revised 10-20-98)

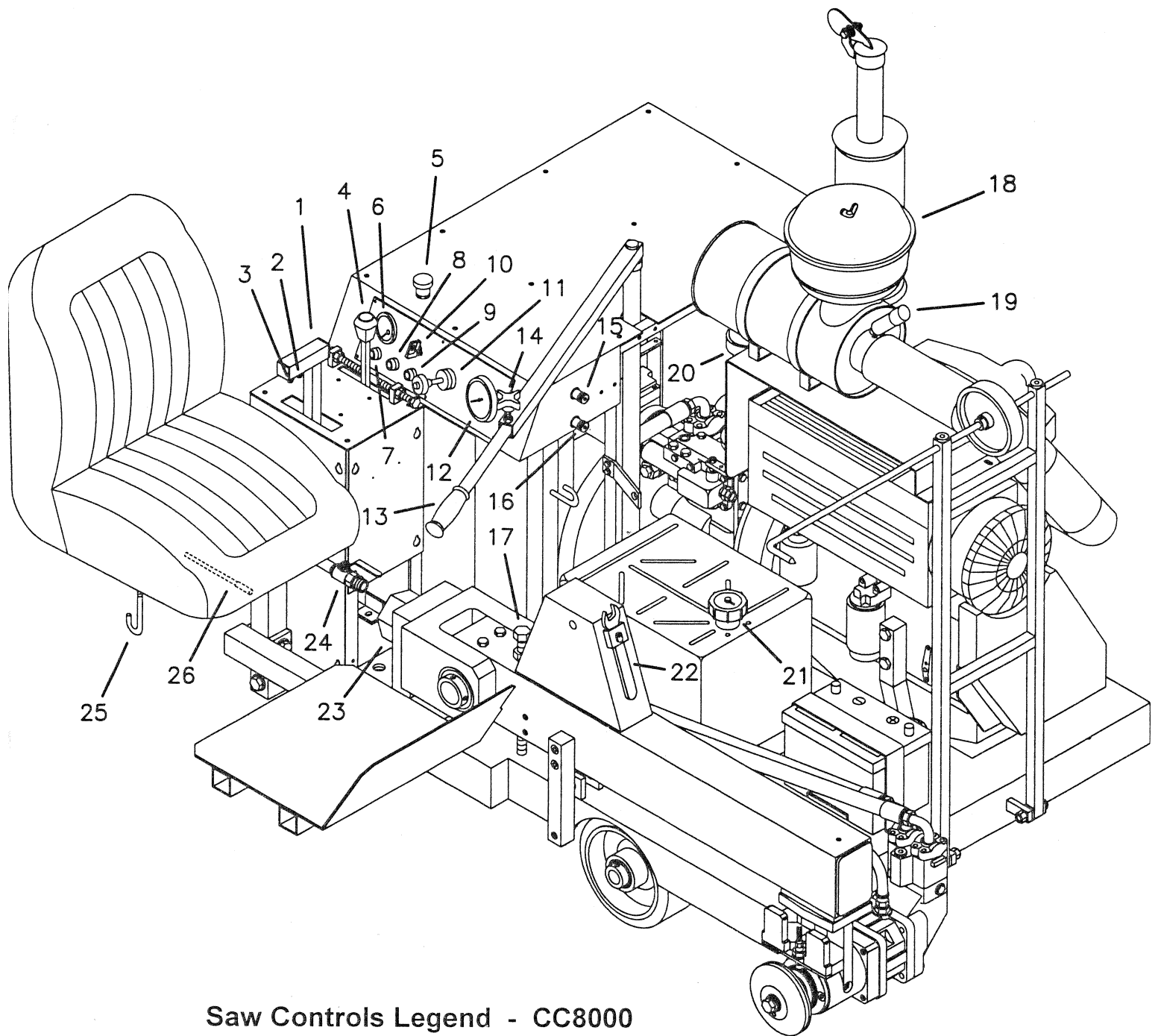
Blade Speed (RPM) Chart Model CC8000 Rider Concrete Saw

WARNING: Do not exceed blade shaft speed (RPM) shown for each blade size. Excessive blade speed could result in blade breakage and serious personal injury.

Blade Size	No Load RPM	Max. Depth of Cut
14"	3000	3-3/4"
20"	2450	6-3/4"
26"	1950	9-3/4"
30"	1650	11-3/4"
36"	1400	14-3/4"
42"	1050	16-3/4"
48"	850	19-3/4"
54"	775	22-3/4"

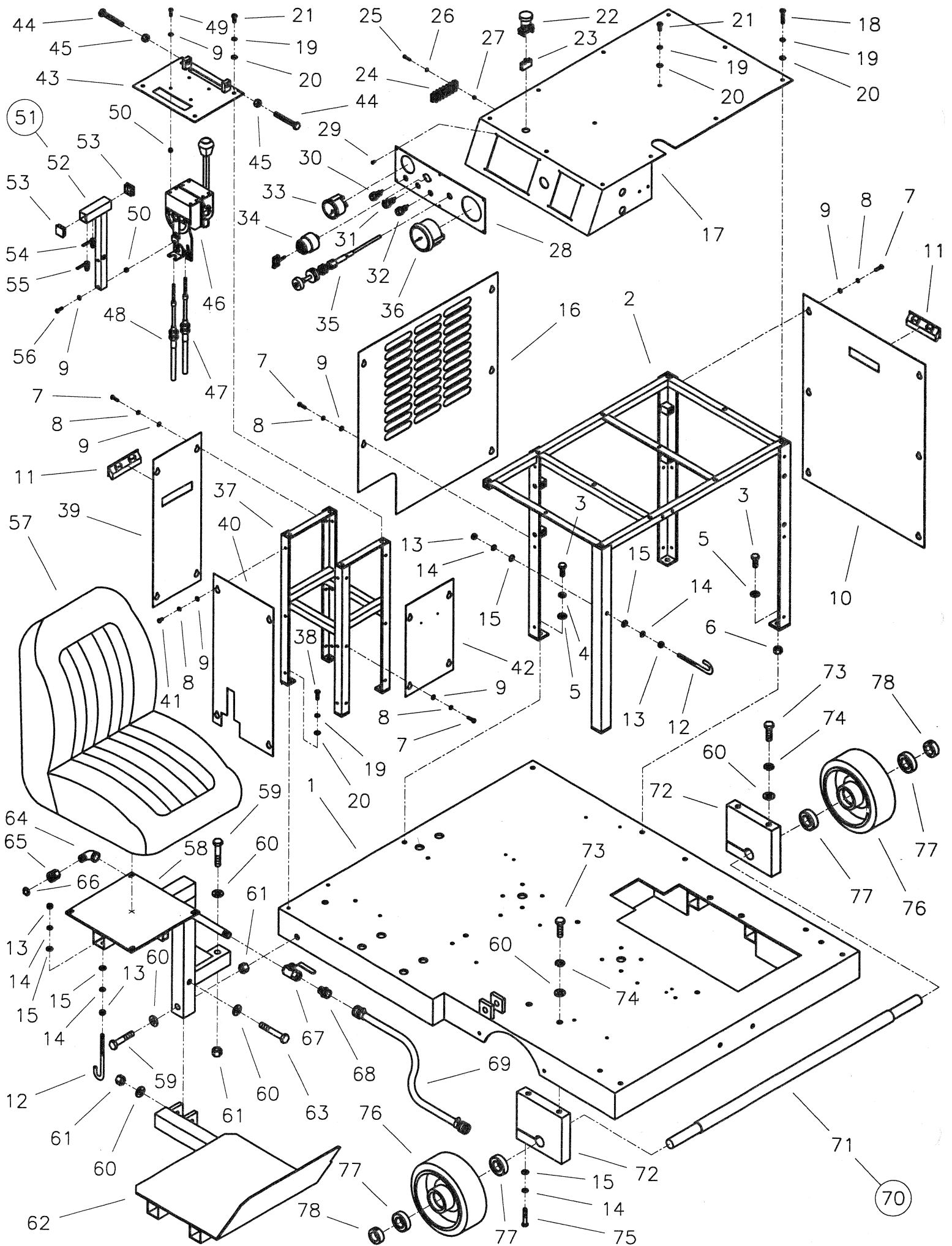
WARNING: When changing blade size, use chart shown below for selecting items that must be changed.

Blade Size	Blade Guard Assembly	Inner Flange (Flange Size)	Outer Flange (Flange Size)
14"	6010070	6010038 (6.25")	6010039 (6.25")
20"	6010072	6010038 (6.25")	6010039 (6.25")
26"	6010074	6010038 (6.25")	6010039 (6.25")
30"	6010076	6010038 (6.25")	6010039 (6.25")
36"	6010260	6010038 (6.25")	6010039 (6.25")
42"	6010143	6013017 (8.00")	6013018 (8.00")
48"	6010145	6013017 (8.00")	6013018 (8.00")
54"	6010183	6013017 (8.00")	6013018 (8.00")



Saw Controls Legend - CC8000

- | | |
|-----------------------------------|---------------------------------------|
| 1. Travel Speed Control Lever | 14. Handle Lock Knob |
| 2. Blade Raise Pushbutton | 15. Blade Raising Speed Control |
| 3. Blade Lower Pushbutton | 16. Blade Lowering Speed Control |
| 4. Blade Speed Control Lever | 17. Blade Depth Stop Bolt |
| 5. Emergency Stop Button | 18. Pre-Cleaner Bowl |
| 6. Engine Temperature Gauge | 19. Air Cleaner Restriction Indicator |
| 7. Alternator Light (Orange) | 20. Dust Ejector Boot |
| 8. Oil Temperature Light (Red) | 21. Fuel Tank Cap / Gauge |
| 9. Oil Pressure Light (Green) | 22. Blade Shaft Wrench |
| 10. Ignition Switch | 23. Blade Angle Adjustment Nut |
| 11. Vernier Throttle Control | 24. Water Control Valve |
| 12. Blade Tachometer / Hour Meter | 25. Water Supply Hose Hook |
| 13. Steering Arm Control | 26. Seat Adjustment Lever |

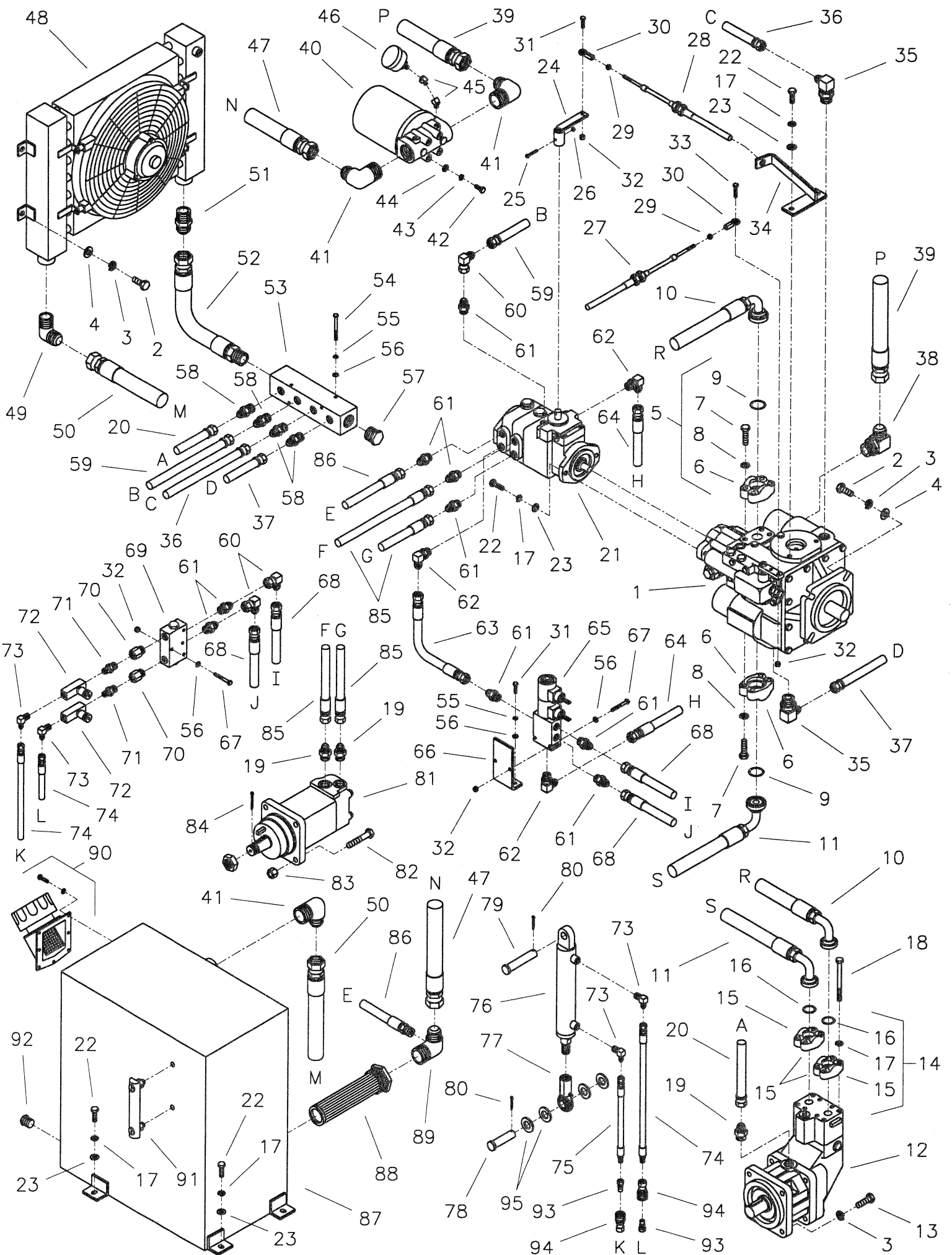


CC8000 PARTS LIST

Drawing I

Frame Group

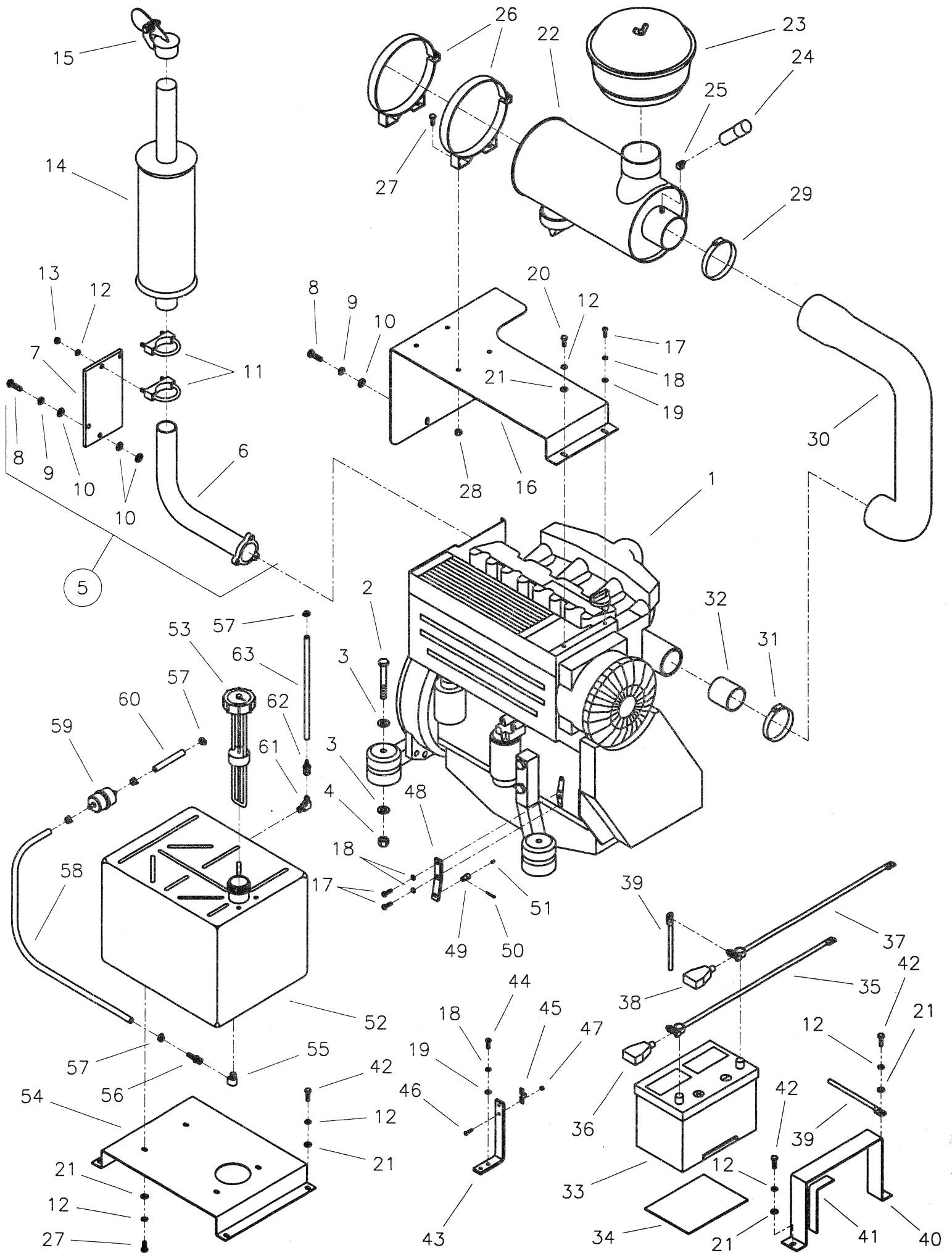
Diagram Number	Part No.	Qty. Req.	Description	Diagram Number	Part No.	Qty. Req.	Description
1	6040000	1	Frame Base	40	6040071	1	Controls Side Panel
2	6040011	1	Frame Upright	41	2900082	4	Capscrew, Hex Hd., 1/4"-20 x 1/2"
3	2900025	4	Capscrew, Hex Hd., 1/2"-13 x 1-1/4"	42	6040072	1	Controls Front Panel
4	2900084	1	Lock Washer, 1/2" Split	43	6040032	1	Gate Plate
5	2900058	4	Flat Washer, 1/2" SAE	44	2900542	2	Tap Bolt, Hex Hd., 1/2"-13 x 3-1/2"
6	2900026	3	Lock Nut, 1/2"-13 Nylon	45	2900037	2	Hex Nut, 1/2"-13
7	2900180	19	Capscrew, Hex Washer Hd., 1/4"-20 x 1"	46	2500881	1	Quadco Speed Controller
8	2900024	23	Lock Washer, 1/4" Split	47	2500879	1	Control Cable, 50" Blade
9	2900009	29	Flat Washer, 1/4" SAE	48	2500880	1	Control Cable, 72" Travel
10	6040030	1	Frame Side Panel	49	2900144	4	Capscrew, Hex Hd., 1/4"-20 x 3/4"
11	2500892	2	Panel Pull	50	2900010	6	Lock Nut, 1/4"-20 Nylon
12	2900371	2	J-Bolt, 3/8"-16	51	6040076	1	Speed Control Lever Assembly (Includes #52 - #55)
13	2900033	4	Hex Nut, 3/8"-16	52	6040019	1	Speed Control Lever
14	2900006	6	Lock Washer, 3/8" Split	53	2500206	2	End Plug
15	2900014	6	Flat Washer, 3/8" SAE	54	2800166	1	Push Button Switch, Raise
16	6040031	1	Frame Rear Panel	55	2800167	1	Push Button Switch, Lower
17	6040029	1	Frame Top Panel	56	2900048	2	Capscrew, Hex Hd., 1/4"-20 x 1-1/2"
18	2900358	10	Capscrew, Hex Hd., 5/16"-18 x 1-3/4"	57	2500761	1	Seat
19	2900031	20	Lock Washer, 5/16" Split	58	6040037	1	Seat Platform
20	2900022	20	Flat Washer, 5/16" SAE	59	2900137	2	Capscrew, Hex Hd., 5/8"-11 x 3-1/4"
21	2900019	6	Capscrew, Hex Hd., 5/16"-18 x 3/4"	60	2900002	8	Flat Washer, 5/8" SAE
22	2800213	1	Emergency Stop Button	61	2900135	3	Lock Nut, 5/8"-11 Nylon
23	2800214	1	Contact Block N.O.	62	6040014	1	Foot Rest
24	2800139	1	Terminal Block	63	2900146	1	Capscrew, Hex Hd., 5/8"-11 x 4"
25	2900054	2	Machine Screw, Hex Hd., #10-24 x 1"	64	3200013	1	Street Elbow, 1/2" NPT
26	2900016	2	Flat Washer, #10 USS	65	3200022	1	Fitting, 1/2" Female Pipe to 3/4" Female Garden Hose
27	2900017	2	Lock Nut, #10-24 Nylon	66	3200025	1	Filter Hose Washer
28	6013093	1	Gauge Panel	67	3200027	1	Water Valve
29	2900021	6	Machine Screw, Round Hd., #10-24 x 3/8"	68	3200155	1	Fitting, 1/2" Male Pipe to 3/4" Male Garden Hose
30	2700785	1	Alternator Light (Orange)	69	6010021	1	Hose Assembly
	2700923	1	(Bulb Only)	70	6040077	1	Front Axle Assembly (Includes #14, #15, #60, #72 - #78)
31	2700787	1	Oil Temperature Light (Red)	71	6040010	1	Front Axle
	2700923	1	(Bulb Only)	72	6040001	2	Axle Mount
32	2700786	1	Oil Pressure Light (Green)	73	2900147	4	Capscrew, Hex Hd., 5/8"-11 x 1-3/4"
	2700923	1	(Bulb Only)	74	2900113	4	Lock Washer, 5/8" Split
33	2700784	1	Engine Temperature Gauge	75	2900079	2	Capscrew, Hex Hd., 3/8"-16 x 2-1/4"
34	2700783	1	Ignition Switch with Key	76	2500755	2	Wheel, 10" Dia. x 4" Wide
	2701261	1	(Ignition Key Only)	77	2500748	4	Bearing, Wheel
35	2500228	1	Vernier Throttle Cable 60"	78	2500782	2	Set Collar, 1-1/4" with Setscrew
36	2800168	1	Blade Shaft Tach/Hour Meter				
37	6040038	1	Controls Frame				
38	2900138	4	Capscrew, Hex Hd., 5/16"-18 x 1"				
39	6040070	1	Controls Rear Panel				



CC8000 PARTS LIST

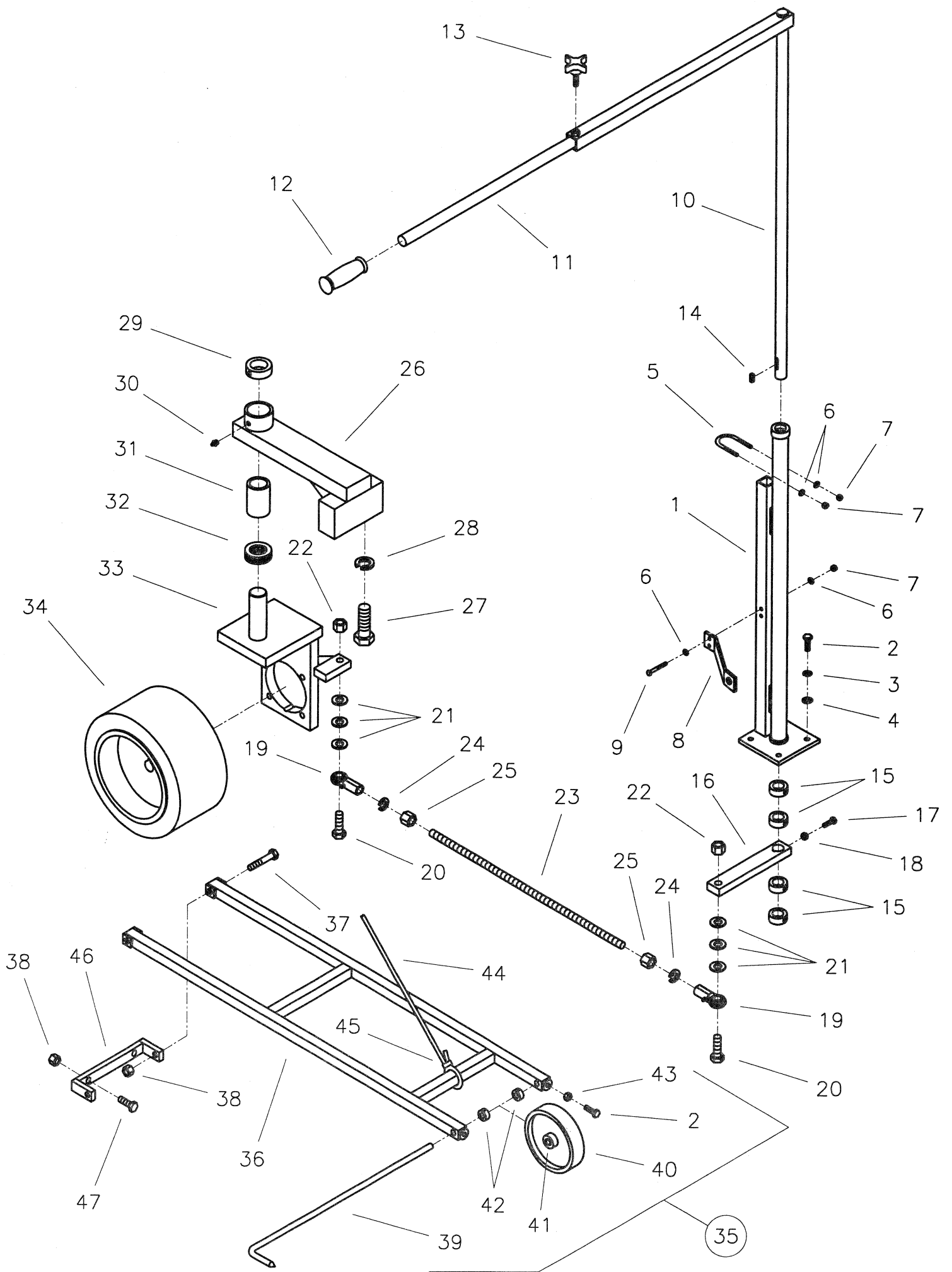
**Drawing III
Hydraulics Group**

Diagram Number	Part No.	Qty. Req.	Description	Diagram Number	Part No.	Qty. Req.	Description
1	2600211	1	Eaton Pump	48	3200259	1	Oil Cooler
2	2900025	8	Capscrew, Hex Hd., 1/2"-13 x 1-1/4"	49	3200289	1	Elbow, 1" Male Pipe to 1" Male JIC
3	2900084	12	Lock Washer, 1/2" Split	50	6040058	1	Hose Assembly, 1" x 22" LP
4	2900058	8	Flat Washer, 1/2" SAE	51	3200284	1	Adapter, 1" Male Pipe to 1" Male JIC
5	3200249	2	Flange Kit, 1" Split (Includes #6 - #9)	52	6040059	1	Hose Assembly, 1" x 15" LP
6	3200336	4	Flange Half, 1" Split	53	3200300	1	Manifold, Case Drain
7	2900149	8	Capscrew, Hex Hd., 7/16"-14 x 1-3/4"	54	2900380	2	Capscrew, Hex Hd., 1/4"-20 x 2-3/4"
8	2900238	8	Lock Washer, 7/16" Split	55	2900024	4	Lock Washer, 1/4" Split
9	3200337	2	O-Ring, 1" Split Flange	56	2900009	8	Flat Washer, 1/4" SAE
10	3200244	1	Hose Assembly, 3/4" x 70" HP	57	3200288	1	Plug, 1" NPT Hex Head
11	3200245	1	Hose Assembly, 3/4" x 70" HP	58	3200283	4	Adapter, 1/2" Male Pipe to 1/2" Male JIC
12	2600203	1	VOAC Motor <i>blade</i>	59	6040060	1	Hose Assembly, 1/2" x 22" PL
13	2900139	4	Capscrew, Hex Hd., 1/2"-13 x 1-3/4"	60	3200304	3	Elbow, 1/2" Male JIC to 1/2" Female JIC
14	3200248	2	Flange Kit, 3/4" Split (Includes #15 - #17)	61	3200286	9	Adapter, 1/2" O-Ring to 1/2" Male JIC
15	3200338	4	Flange Half, 3/4" Split	62	3200285	3	Elbow, 1/2" O-Ring to 1/2" Male JIC
16	3200339	2	O-Ring, 3/4" Split Flange	63	6040061	1	Hose Assembly, 1/2" x 13" HP
17	2900006	16	Lock Washer, 3/8" Split	64	6040062	1	Hose Assembly, 1/2" x 18" HP
18	2900375	8	Capscrew, Hex Hd., 3/8"-16 x 4-1/2"	65	3200257	1	Valve, 4 Way Solenoid
19	3200287	3	Adapter, 5/8" O-Ring to 1/2" Male JIC	66	6040043	1	Valve Bracket
20	6040053	1	Hose Assembly, 1/2" x 90" PL	67	2900294	4	Capscrew, Hex Hd., 1/4"-20 x 2"
21	2600212	1	Oil Gear Pump	68	6040063	2	Hose Assembly, 1/2" x 30" HP
22	2900013	8	Capscrew, Hex Hd., 3/8"-16 x 1-1/4"	69	3200258	1	Valve, Cylinder Lock
23	2900014	8	Flat Washer, 3/8" SAE	70	3200295	2	Adapter, 1/2" O-Ring to 3/8" Female Pipe
24	6040022	1	Shift Lever	71	3200296	2	Adapter, 3/8" Male Pipe to 1/4" Male Pipe
25	2900211	1	Machine Screw, Round Hd., #10-32 x 1-1/4"	72	3200056	2	Flow Control Valve, 1/4" NPT
26	2900188	1	Hex Nut, #10-32	73	3200057	4	Elbow, 1/4" Male Pipe to 1/4" Male JIC
27	2500879	1	Control Cable, 50" Blade	74	6040114	3	Hose Assembly, 1/4" x 30" HP
28	2500880	1	Control Cable, 72" Travel	75	6040115	1	Hose Assembly, 1/4" x 22" HP
29	2900186	2	Hex Nut, 1/4"-28	76	2500896	1	Cylinder
30	2500409	2	Rod End, 1/4"-28 Female	77	2500738	1	Rod End, 3/4"-16 Female
31	2900008	3	Capscrew, Hex Hd., 1/4"-20 x 1"	78	2900362	1	Clevis Pin, 3/4" Dia. x 2-3/4"
32	2900010	6	Lock Nut, 1/4"-20 Nylon	79	2900363	1	Clevis Pin, 3/4" Dia. x 3-3/4"
33	2900052	1	Capscrew, Hex Hd., 1/4"-20 x 1-1/4"	80	2900004	2	Cotter Pin, 1/8" x 1"
34	6040035	1	Cable Guide	81	2600213	1	Char-Lynn Motor
35	3200298	2	Elbow, 3/4" O-Ring to 1/2" Male JIC	82	2900105	4	Capscrew, Hex Hd., 1/2"-13 x 2-3/4"
36	6040054	1	Hose Assembly, 1/2" x 26" PL	83	2900026	4	Lock Nut, 1/2"-13 Nylon
37	6040055	1	Hose Assembly, 1/2" x 10" PL	84	2900374	1	Cotter Pin, 5/32" x 1-1/2"
38	3200297	1	Elbow, 1" O-Ring to 1" Male JIC	85	6040066	2	Hose Assembly, 1/2" x 35" HP
39	6040056	1	Hose Assembly, 1" x 25" LP	86	6040067	1	Hose Assembly, 1/2" x 18" HP
40	3200260	1	Hydraulic Filter	87	6040021	1	Hydraulic Reservoir Tank
	3200340	1	(Spin-on Element Only)	88	3200261	1	Suction Strainer, 2" NPT
41	3200282	3	Elbow, 1-1/4" Male Pipe to 1" Male JIC	89	6040044	1	Elbow, 1-1/4" Male Pipe to 1" Male JIC
42	2900019	4	Capscrew, Hex Hd., 5/16"-18" x 3/4"	90	2500760	1	Filler/Breather Cap
43	2900031	4	Lock Washer, 5/16" Split	91	2500762	1	Level/Temperature Sight Gauge
44	2900022	4	Flat Washer, 5/16" SAE	92	3200160	1	Plug, 1/2" NPT Hex Head
45	3200099	2	Street Elbow, 1/8" NPT 45°	93	3200314	2	Nipple, 1/8" QD
46	3200275	1	Indicator, Filter Condition	94	3200315	2	Coupler, 1/8" QD
47	6040057	1	Hose Assembly, 1" x 31" LP	95	2900003	4	Flat Washer, 3/4" SAE



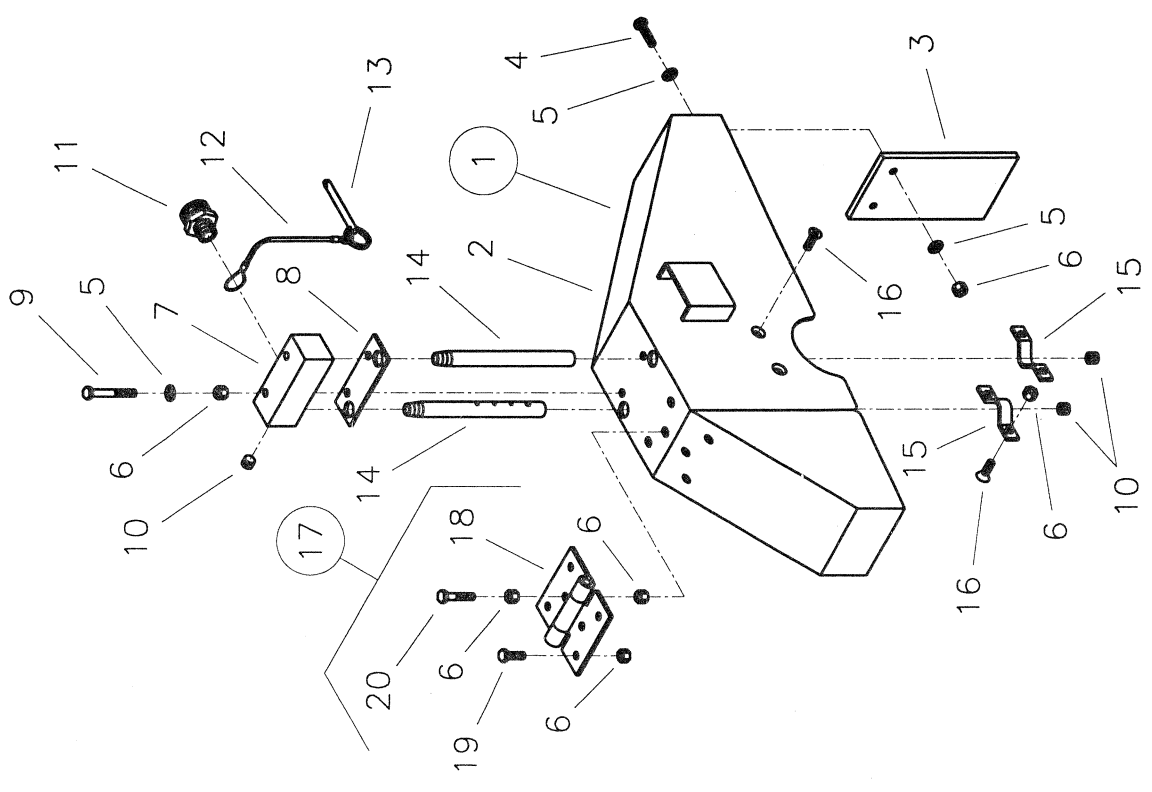
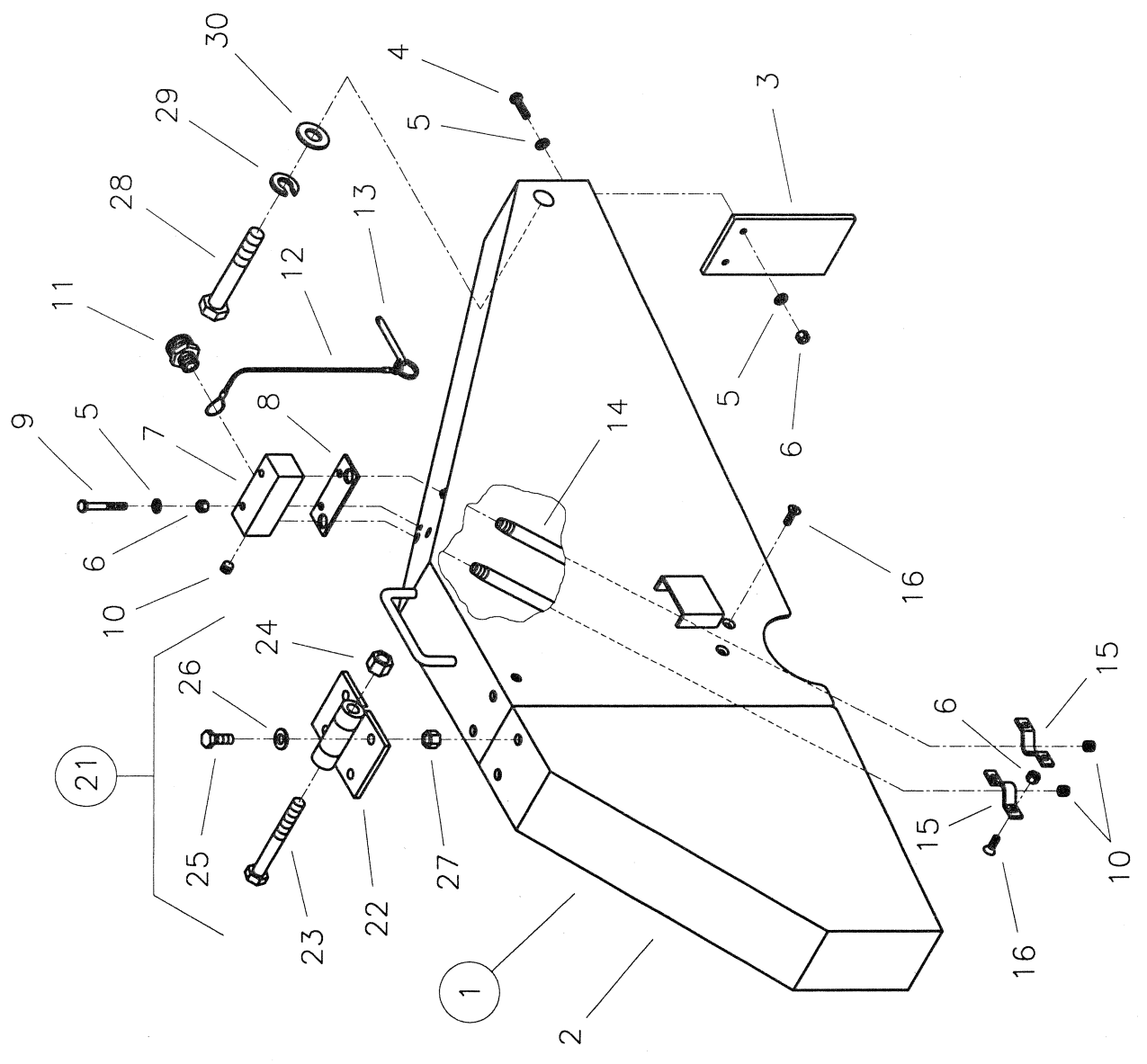
CC8000 PARTS LIST
Drawing IV
Engine Group

Diagram Number	Part No.	Qty. Req.	Description	Diagram Number	Part No.	Qty. Req.	Description
1	2600232	1	Engine, 72 HP Deutz Diesel	30	2501007	1	Air Intake Hose
2	2900347	4	Capscrew, Hex Hd., M12 x 100mm	31	3200197	1	Hose Clamp #52
3	2900058	8	Flat Washer, 1/2" SAE	32	6010052	1	Connector Tube, 2-1/2" O.D.
4	2900327	4	Lock Nut, M12 Nylon	33	2700208	1	Battery, 12 Volt
5	6040084	1	Muffler Assembly (Includes #6 - #15)	34	6010016	1	Battery Pad
6	6013110	1	Exhaust Tube	35	2800073	1	Battery Cable, Positive (Red)
7	6013102	1	Exhaust Support Plate	36	2800256	1	Battery Boot (Red)
8	2900333	3	Capscrew, Hex Hd., M10 x 25mm	37	2800072	1	Battery Cable, Negative (Black)
9	2900321	3	Lock Washer, M10 Split	38	2800257	1	Battery Boot (Black)
10	2900014	5	Flat Washer, 3/8" SAE	39	2800182	1	Negative Ground Cable (Black)
11	2700748	2	Muffler Clamp, 2"	40	6040026	1	Battery Strap
12	2900031	15	Lock Washer, 5/16" Split	41	6048077	2	Rubber Strip
13	2900141	4	Hex Nut, 5/16"-18	42	2900138	6	Capscrew, Hex Hd., 5/16"-18 x 1"
14	2700746	1	Muffler	43	6040073	1	Throttle Brace
15	2700747	1	Rain Cap	44	2900144	2	Capscrew, Hex Hd., 1/4"-20 x 3/4"
16	6040013	1	Air Cleaner Platform	45	2500940	1	Throttle Cable Clamp
17	2900310	3	Capscrew, Hex Hd., M6 x 20mm	46	2900015	2	Capscrew, Hex Hd., #10-24 x 3/4"
18	2900024	5	Lock Washer, 1/4" Split	47	2900010	2	Lock Nut, #10-24 Nylon
19	2900009	3	Flat Washer, 1/4" SAE	48	6013029	1	Throttle Arm
20	2900329	1	Capscrew, Hex Hd., M8 x 20mm	49	6048212	1	Pivot Pin
21	2900022	11	Flat Washer, 5/16" SAE	50	2900034	1	Cotter Pin, 3/32" x 3/4"
22	2500421	1	Air Cleaner, Complete	51	2900059	1	Set screw, Soc. Hd., #10-32 x 1/4"
	2500425	1	(Primary Element)	52	2500650	1	Fuel Tank, Plastic
	2500426	1	(Secondary Element)	53	2500649	1	Fuel Tank Cap with Gauge
	2500339	1	(Rubber Dust Ejector Boot 3")	54	6040028	1	Fuel Tank Mount
23	2500422	1	Pre-Cleaner	55	3200012	1	Street Elbow, 1/4" NPT
	2500504	1	(Clear Plastic Bowl Only)	56	3200202	1	Fitting, 1/4" Male Pipe to 5/16" Hose Barb
24	2500423	1	Restriction Indicator	57	3200062	3	Hose Clamp
25	3200099	1	Street Elbow, 1/8" NPT 45°	58	6013096	1	Fuel Line Hose, Pressure, 5/16" I.D.
26	2500424	2	Mounting Strap 8"	59	2500474	1	Fuel Filter with Clamps
27	2900019	8	Capscrew, Hex Hd., 5/16"-18 x 3/4"	60	6013095	1	Fuel Line Hose, 5/16" I.D. x 4" Long
28	2900039	4	Lock Nut, 5/16"-18 Nylon	61	3200057	1	Elbow, 1/4" Male Pipe to 1/4" Male JIC
29	3200198	1	Hose Clamp #64	62	3200091	1	Fitting, 1/4" Female JIC to 1/4" Push Lock
				63	6048096	1	Fuel Line Hose, Return, 1/4" I.D. x 12"



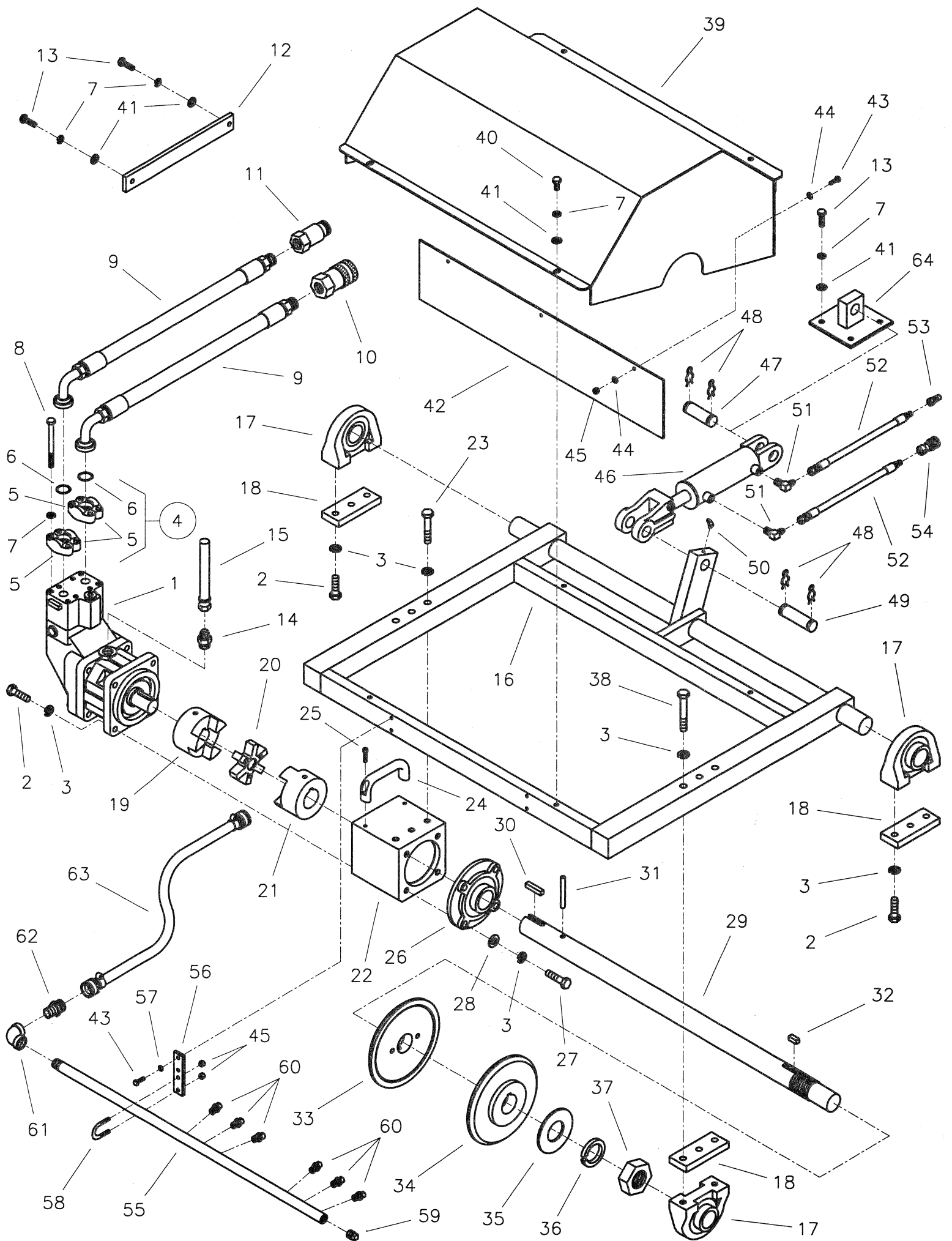
CC8000 PARTS LIST
Drawing V
Steering Brace

Diagram Number	Part No.	Qty. Req.	Description	Diagram Number	Part No.	Qty. Req.	Description
1	6040016	1	Steering Brace	24	2900113	2	Lock Washer, 5/8" Split
2	2900013	6	Capscrew, Hex Hd., 3/8"-16 x 1-1/4"	25	2900296	2	Hex High Nut, 5/8"-18
3	2900006	4	Lock Washer, 3/8" Split	26	6040015	1	Drive Wheel Arm
4	2900014	4	Flat Washer, 3/8" SAE	27	2900370	2	Capscrew, Hex Hd., 1"-8 x 3"
5	2900379	1	U-Bolt, 1/4"-20	28	2900365	2	Lock Washer, 1" Split
6	2900009	6	Flat Washer, 1/4" SAE	29	2500815	1	Set Collar, 1-1/2" with Setscrew
7	2900010	4	Lock Nut, 1/4"-20 Nylon	30	2900062	1	Grease Fitting, 1/8" NPT
8	6040034	1	Cable Guide Bar	31	2500812	1	Bearing, 1-1/2" x 2" x 3"
9	2900294	2	Capscrew, Hex Hd., 1/4"-20 x 2"	32	2500811	1	Bearing, 1-1/2" Thrust
10	6040017	1	Steering Arm	33	6040020	1	Drive Wheel Bracket
11	6013054	1	Handle Bar 30"	34	6040012	1	Drive Wheel with Hub
12	2500636	1	Handle Grip	35	6040083	1	Front Pointer Assembly (Includes #2, #36 - #47)
13	2900234	1	Handle Lock Knob, 3/8"-16	36	6013089	1	Front Pointer
14	6040081	1	Key, 1/4" Sq. x 3/4" Precision	37	2900105	2	Capscrew, Hex Hd., 1/2"-13 x 2-3/4"
15	2500009	4	Set Collar, 1" with Setscrew	38	2900026	4	Lock Nut, 1/2"-13 Nylon
16	6040018	1	Steering Lever	39	6040024	1	Front Pointer Rod
17	2900019	1	Capscrew, Hex Hd., 5/16"-18 x 3/4"	40	2400004	1	Wheel, 6" diameter
18	2900141	1	Hex Nut, 5/16"-18	41	4641006	1	Wheel Bushing
19	2500809	2	Rod End, 5/8"-18 Female	42	2500007	2	Set Collar, 1/2" with Setscrew
20	2900527	2	Capscrew, Hex Hd., 5/8"-11 x 2-1/2"	43	2900033	2	Hex Nut, 3/8"-16
21	2900002	6	Flat Washer, 5/8" SAE	44	6011054	1	Pointer Cord
22	2900135	2	Lock Nut, 5/8"-11 Nylon	45	3200221	3	Clamp, Cord
23	6040082	1	Rod, 5/8"-18 x 24"	46	6040093	1	Pointer Mount
				47	2900139	2	Capscrew, Hex Hd., 1/2"-13 x 1-3/4"



CC8000 PARTS LIST
Drawing VI
Blade Guard Assembly

Diagram Number	Part No.	Qty. Req.	Description	Diagram Number	Part No.	Qty. Req.	Description
1	6010070	1	14" Blade Guard Assembly (Includes #2 - #20)	12	2900278	1	Lanyard with Lock Pin for 14" & 20" Blade Guards
	6010072	1	20" Blade Guard Assembly (Includes #2 - #19)		2900279	1	Lanyard with Lock Pin for 26" & 30" Blade Guards
	6010074	1	26" Blade Guard Assembly (Includes #2 - #16, #21)		2900280	1	Lanyard with Lock Pin for 36" - 42" Blade Guards
	6010076	1	30" Blade Guard Assembly (Includes #2 - #16, #21)		2900281	1	Lanyard with Lock Pin for 48" - 54" Blade Guards
	6010260	1	36" Blade Guard Assembly (Includes #2 - #16, #21 - #30)	13	2900156	1	Lock Pin Only
	6010143	1	42" Blade Guard Assembly (Includes #2 - #16, #21 - #30)	14	6048283	2	Water Tube for 14" Blade Guard
	6010145	1	48" Blade Guard Assembly (Includes #2 - #16, #21 - #30)		6010085	2	Water Tube for 20" Blade Guard
	6010183	1	54" Blade Guard Assembly (Includes #2 - #16, #21 - #30)		6010086	2	Water Tube for 26" Blade Guard
					6010087	2	Water Tube for 30" Blade Guard
					6010088	2	Water Tube for 36" Blade Guard
					6010114	2	Water Tube for 42" Blade Guard
					6010115	2	Water Tube for 48" Blade Guard
2	6010071	1	14" Blade Guard Only		6013023	2	Water Tube for 54" Blade Guard
	6010073	1	20" Blade Guard Only	15	6048155	2	Water Tube Clamp
	6010075	1	26" Blade Guard Only	16	2900020	4	Capscrew, Flat Hd., 1/4"-20 x 3/4"
	6010077	1	30" Blade Guard Only	17	6048150	1	Hinge Assembly for 14" Blade Guard (Includes #6, #18 - #20)
	6010259	1	36" Blade Guard Only				
	6010144	1	42" Blade Guard Only		6010251	1	Hinge Assembly for 20" Blade Guard (Includes #6, #18, #19)
	6010146	1	48" Blade Guard Only				
	6010184	1	54" Blade Guard Only	18	2500270	1	Hinge Only
3	6010081	1	Splash Flap	19	2900144	6	Capscrew, Hex Hd., 1/4"-20 x 3/4"
4	2900008	2	Capscrew, Hex Hd., 1/4"-20 x 1"	20	2900052	1	Capscrew, Hex Hd., 1/4"-20 x 1-1/4"
5	2900009	6	Flat Washer, 1/4" SAE	21	6010263	1	Hinge Assembly for 26" - 54" Blade Guards (Includes #22 - #27)
6	2900010	15	Lock Nut, 1/4"-20 Nylon				
7	6010261	1	Manifold for 14" - 30" Blade Guards	22	6010125	1	Hinge Only
	6010264	1	Manifold for 36" Blade Guard	23	2900509	1	Capscrew, Hex Hd., 1/2"-13 x 4"
	6010273	1	Manifold for 42" - 54" Blade Guards	24	2900026	1	Lock Nut, 1/2"-13 Nylon
8	2500830	1	Manifold Gasket for 14" - 36" Blade Guards	25	2900013	4	Capscrew, Hex Hd., 3/8"-16 x 1-1/4"
				26	2900014	4	Flat Washer, 3/8" SAE
	2500859	1	Manifold Gasket for 42" - 54" Blade Guards	27	2900018	4	Lock Nut, 3/8"-16 Nylon
				28	2900291	1	Capscrew, Hex Hd., 5/8"-18 x 4"
9	2900294	2	Capscrew, Hex Hd., 1/4"-20 x 2"	29	2900113	1	Lock Washer, 5/8" Split
10	3200001	3	Pipe Plug, 1/8" NPT	30	2900002	1	Flat Washer, 5/8" SAE
11	3200002	1	Fitting, 3/4" Male Garden Hose to 3/8" Male Pipe				



SLOT CUTTER ATTACHMENT

Diagram Number	Part No.	Qty. Req.	Description	Diagram Number	Part No.	Qty. Req.	Description
1	2600203	1	VOAC Motor	33	6010136	1	Inner Flange, 8"
2	2900139	8	Capscrew, Hex Hd., 1/2"-13 x 1-3/4"	34	6010137	1	Outer Flange, 8"
3	2900084	17	Lock Washer, 1/2" Split	35	2900406	1	Flat Washer, 1-3/4" USS
4	3200248	2	Flange Kit, 3/4" Split (Includes #5 - #7)	36	2900402	1	Lock Washer, 1-3/4" Split
5	3200338	4	Flange Half, 3/4" Split	37	2900401	1	Jam Nut, 1-3/4"-12
6	3200339	2	O-Ring, 3/4" Split Flange	38	2900080	2	Capscrew, Hex Hd., 1/2"-13 x 3-1/2"
7	2900006	20	Lock Washer, 3/8" Split	39	6040098	1	Blade Guard
8	2900375	8	Capscrew, Hex Hd., 3/8"-16 x 4-1/2"	40	2900196	4	Capscrew, Hex Hd., 3/8"-16 x 3/4"
9	3200373	2	Hose Assembly, 3/4" x 25" HP	41	2900014	12	Flat Washer, 3/8" SAE
10	3200324	1	Coupler, 3/4" QD (FG) 5,000 PSI	42	6040099	1	Splash Flap
11	3200325	1	Nipple, 3/4" QD (FF)	43	2900144	7	Capscrew, Hex Hd., 1/4"-20 x 3/4"
12	6010013	2	Wheel Well Brace	44	2900009	6	Flat Washer, 1/4" SAE
13	2900013	8	Capscrew, Hex Hd., 3/8"-16 x 1-1/4"	45	2900010	7	Lock Nut, 1/4"-20 Nylon
14	3200287	1	Adapter, 5/8" O-Ring to 1/2" Male JIC	46	2500177	1	Cylinder
15	6040053	1	Hose Assembly, 1/2" x 90" PL	47	6010031	1	Cylinder Pin, 3"
16	6040094	1	Pivot Frame Weldment	48	2900064	4	Hair Pin Cotter, 3/4"
17	2500787	3	Pillow Block Bearing, 1-5/8"	49	6010119	1	Cylinder Pin, 3-1/2"
18	6040097	3	Bearing Spacer, 5/8"	50	2900184	1	Grease Fitting, 1/4"-28 x 45°
19	2500958	1	Motor Coupling, 1-1/4"	51	3200057	2	Elbow, 1/4" Male Pipe to 1/4" Male JIC
20	2500960	1	Coupling Spider Insert	52	6040109	2	Hose Assembly, 1/4" x 14" HP
21	2500959	1	Shaft Coupling, 1-3/4"	53	3200314	1	Nipple, 1/8" QD
22	6040095	1	Motor Adapter	54	3200315	1	Coupler, 1/8" QD
23	2900105	3	Capscrew, Hex Hd., 1/2"-13 x 2-3/4"	55	6040106	1	Water Manifold Pipe
24	2400150	1	Handle	56	6040107	2	Manifold Bar
25	2900088	2	Capscrew, Soc. Hd., 1/4"-20 x 1"	57	2900024	4	Lock Washer, 1/4" Split
26	2500658	1	Flange Cartridge Bearing, 1-3/4"	58	2900241	2	U-Bolt, 1/4"-20
27	2900106	4	Capscrew, Hex Hd., 1/2"-13 x 2"	59	3200153	1	Pipe Plug, 3/8" NPT
28	2900058	4	Flat Washer, 1/2" SAE	60	3200208	9	Spray Nozzle, 1/4" NPT
29	6040096	1	Blade Shaft, 1-3/4"	61	3200209	1	Elbow, 1/2" Female Pipe
30	6048097	1	Key, 3/8" Sq. x 1-3/4"	62	3200155	1	Fitting, 1/2" Male Pipe to 3/4" Male Garden Hose
31	2900203	1	Dowel Pin, 3/8" x 3"	63	6040110	1	Hose Assembly
32	6010138	1	Key, 3/8" Sq. x 7/8"	64	6040111	1	Cylinder Attachment

CROSS-OVER RELIEF

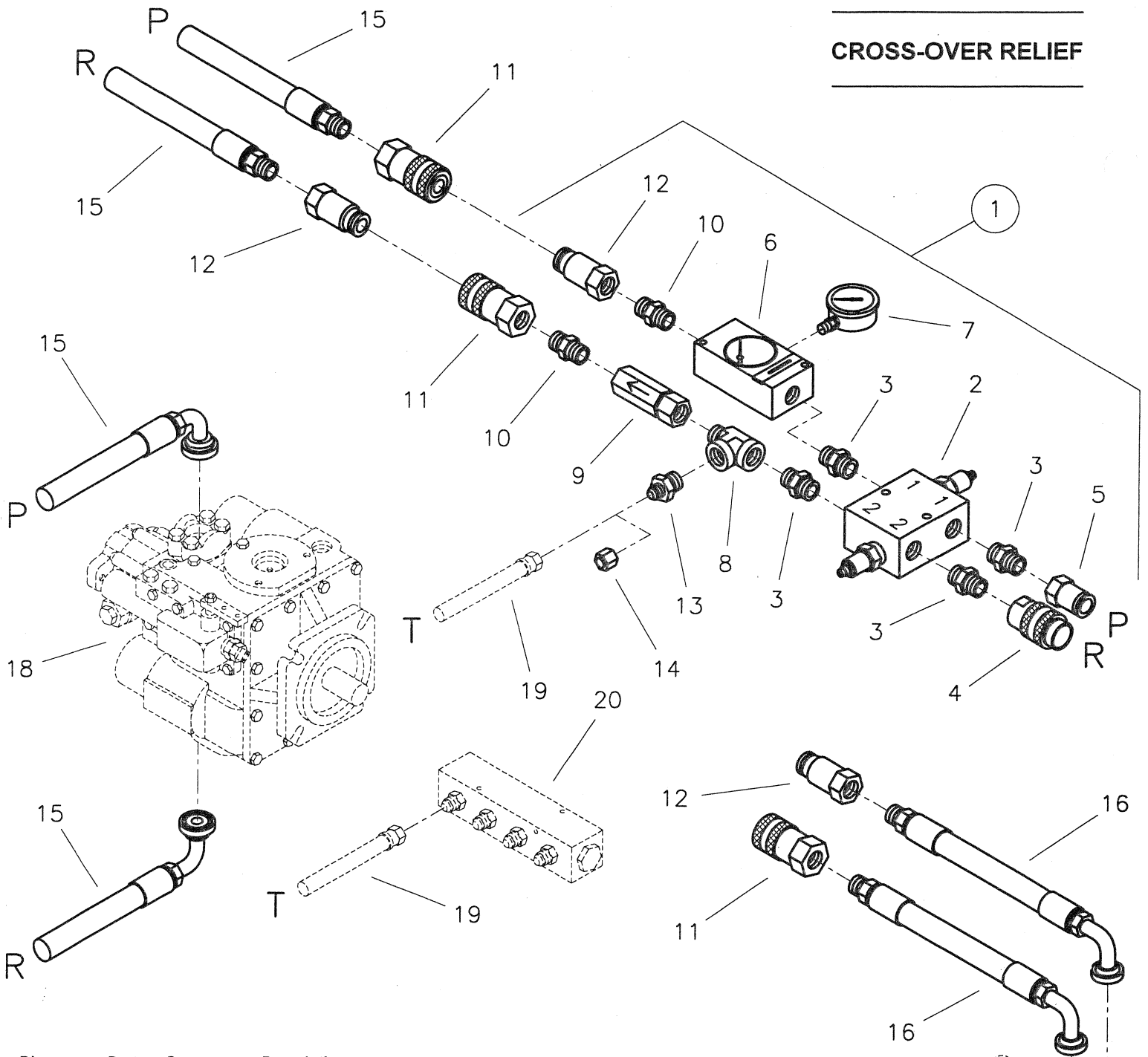
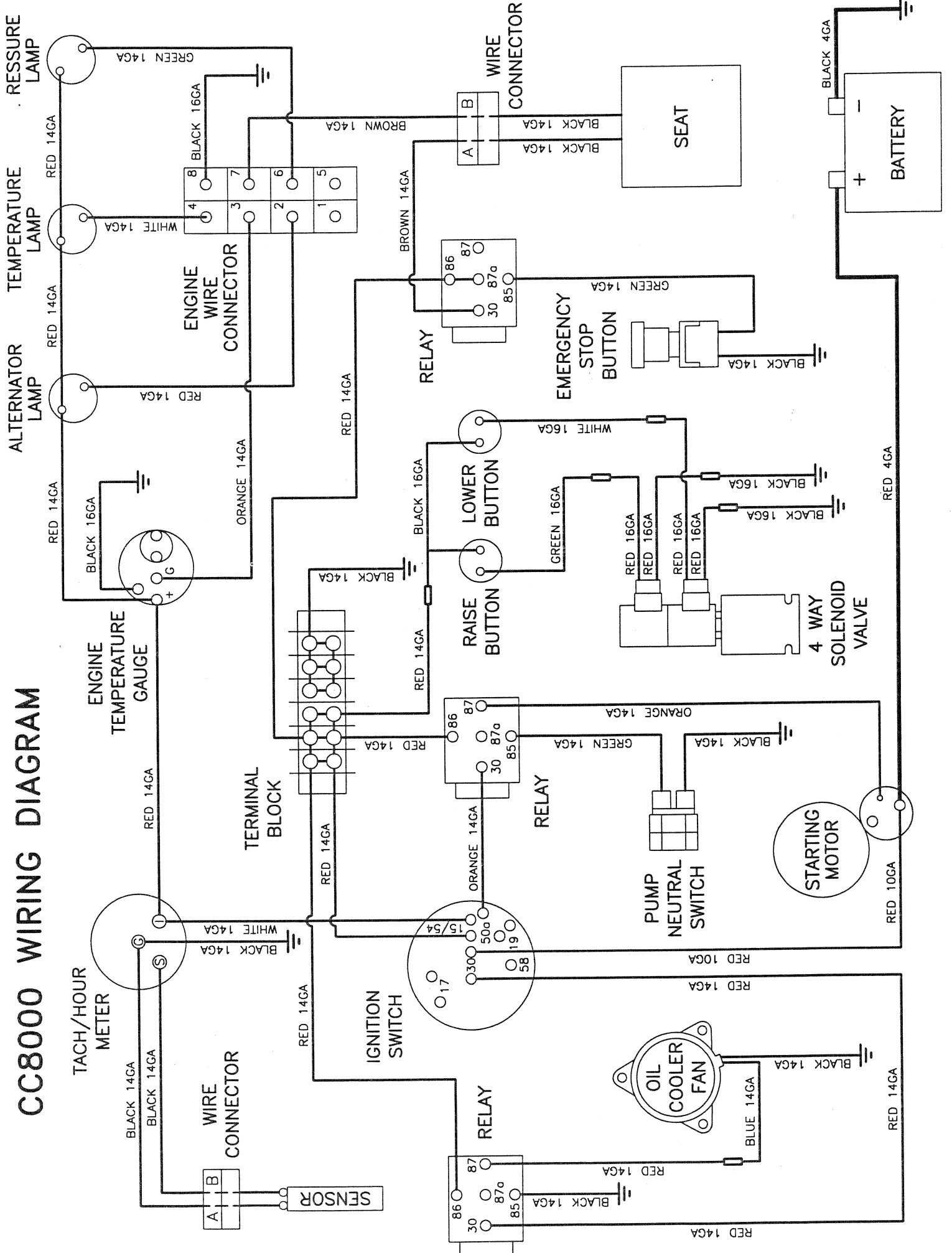


Diagram Number	Part No.	Qty. Req.	Description	Diagram Number	Part No.	Qty. Req.	Description
1	6040050	1	Cross-Over Relief Assembly (Includes #2 - #14)	10	3200137	2	Hex Nipple, 3/4" NPT
2	3200327	1	Cross-Over Relief (2,500 PSI)	11	3200324	3	Coupler, 3/4" QD (FG) 5,000 PSI
3	3200330	4	Adapter, 3/4" O-Ring to 3/4" Male Pipe	12	3200325	3	Nipple, 3/4" QD (FF)
4	3200100	1	Coupler, 3/4" QD (NS) 2,500 PSI	13	3200264	1	Restrictor, 3/4" Male Pipe to 1/2" Male JIC
5	3200101	1	Nipple, 3/4" QD (NS)	14	3200134	1	Cap, 1/2" JIC
6	3200328	1	Flow Meter	15	3200345	2	Hose Assembly, 3/4" x 52" HP
7	3200228	1	Pressure Gauge	16	3200346	2	Hose Assembly, 3/4" x 16" HP
8	3200310	1	Tee, 3/4" Female to 3/4" Male Pipe	17	(REF)	1	VOAC Motor
9	3200329	1	Check Valve, 3/4" NPT	18	(REF)	1	Eaton Pump
				19	(REF)	1	Drain Hose Assembly, 1/2" x 90" PL
				20	(REF)	1	Case Drain Manifold

CC8000 WIRING DIAGRAM



EQUIPMENT AND PARTS WARRANTY

Diamond Products warrants all equipment manufactured by it against defects in workmanship or materials for a period of one (1) year from the date of shipment to Customer.

The responsibility of Diamond Products under this Warranty is limited to replacement or repair of defective parts at Diamond Products' Elyria, Ohio factory, or at a point designated by it, of such parts as shall appear to us upon inspection at such point, to have been defective in material or workmanship, with expense for transportation and labor borne by Customer.

In no event shall Diamond Products be liable for consequential or incidental damages arising out of the failure of any Product to operate properly.

Integral units such as engines, electric motors, batteries, transmissions, etc., are excluded from this Warranty and are subject to the prime manufacturer's warranty.

THIS WARRANTY IS IN LIEU OF ALL OTHER WARRANTIES, EXPRESSED OR IMPLIED, AND ALL SUCH OTHER WARRANTIES ARE HEREBY DISCLAIMED.