

DIAMOND
PRODUCTS

CONCRETE SAW
PARTS LIST

MODEL
SPEEDICUT SC6514

(February 2008)

Part #1805051

Table of Contents

Description	Page No.
Drive System	4
Bladeguard Assembly	5
Flange Assembly	6
Clutch Assembly	7
Handle Assembly	8
Control System	9
Air Filter Assembly	10
Carburetor Assembly	11
Recoil Assembly	12
Ignition Assembly	13
Cylinder Assembly	14
Muffler Assembly	15
Crankshaft Assembly	16
Crankcase Assembly	17
Wet Cutting Kit	18

Quick Reference Service Filters, Belts and Overhaul Kits

Part Number	Description	Qty. Req.
6061003	V-Belt	1
6061079	Foam Air Filter Element	1
6061087	Paper Air Filter Element	1
6061128	Spark Plug	1
6061172	Overhaul Kit	
<i>Includes the following:</i>		
6061125	<i>Cylinder</i>	<i>1</i>
6061136	<i>Gasket</i>	<i>1</i>
6061147	<i>Wrist Pin</i>	<i>1</i>
6061148	<i>Retaining Ring</i>	<i>2</i>
6061150	<i>Piston</i>	<i>1</i>
6061151	<i>Piston Ring</i>	<i>2</i>
6061153	<i>Needle Bearing</i>	<i>1</i>

Tools and Accessories

Part Number	Description
6061173	T-Wrench

SC6514 Parts List Drive System

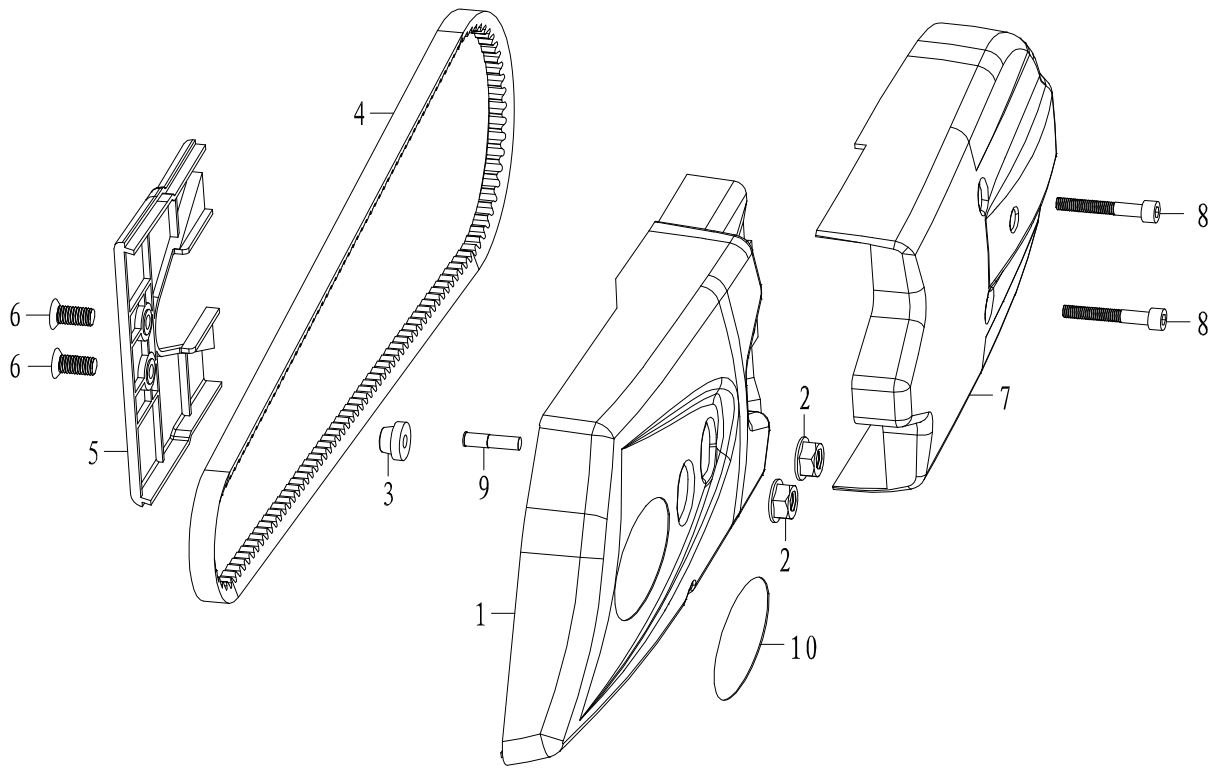


Diagram Number	Part Number	Quantity Required	Description
1	6061000	1	Back Cover, Cutting Arm
2	6061001	2	Flange Nut
3	6061002	1	Grommet
4	6061003	1	V-Belt
5	6061004	1	Belt Cover
6	6061005	2	Bolt
7	6061006	1	Belt Cover, Right
8	6061007	2	Bolt
9	6061008	1	Pin
10	6061009	1	Decal, Model Number

SC6514 Parts List Bladeguard

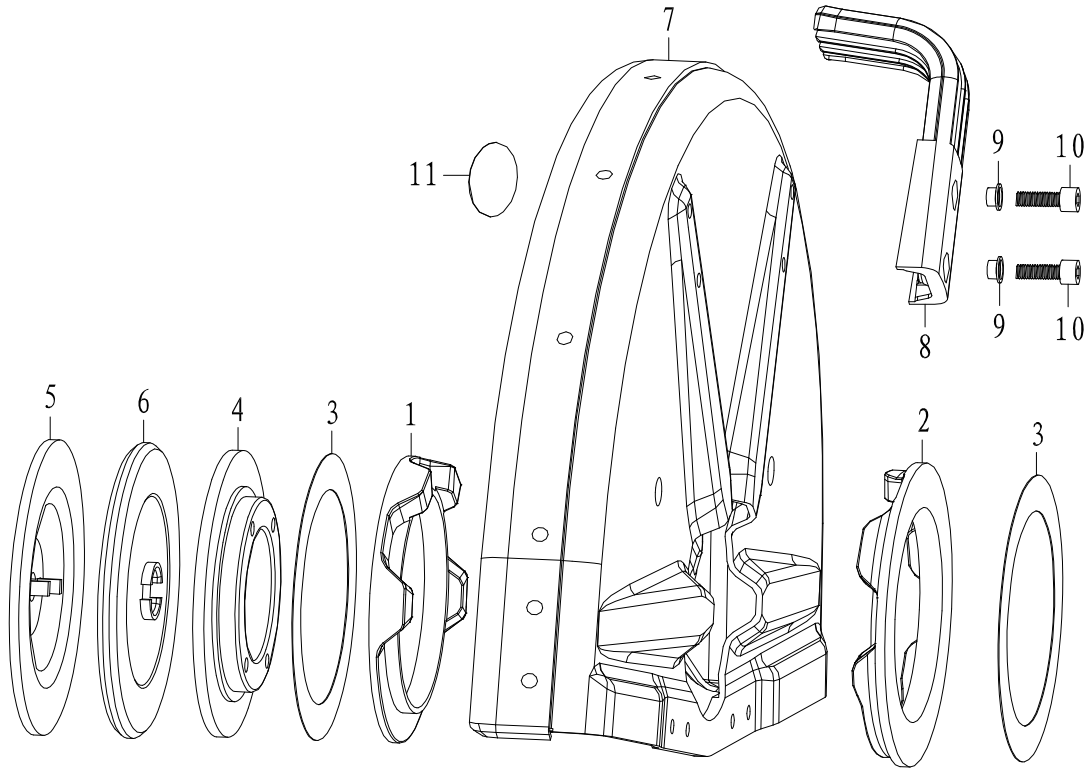


Diagram Number	Part Number	Quantity Required	Description
1	6061010	1	Left Rubber Washer
2	6061011	1	Right Rubber Washer
3	6061012	2	Washer
4	6061013	1	Guard Flange
5	6061014	1	Outside Flange
6	6061015	1	Inside Flange
7	6061016	1	Blade Guard complete
8	6061017	1	Adjustment Handle
9	6061018	2	Spacer
10	6061019	2	Bolt
11	6061020	1	RPM Decal

SC6514 Parts List Blade Flange

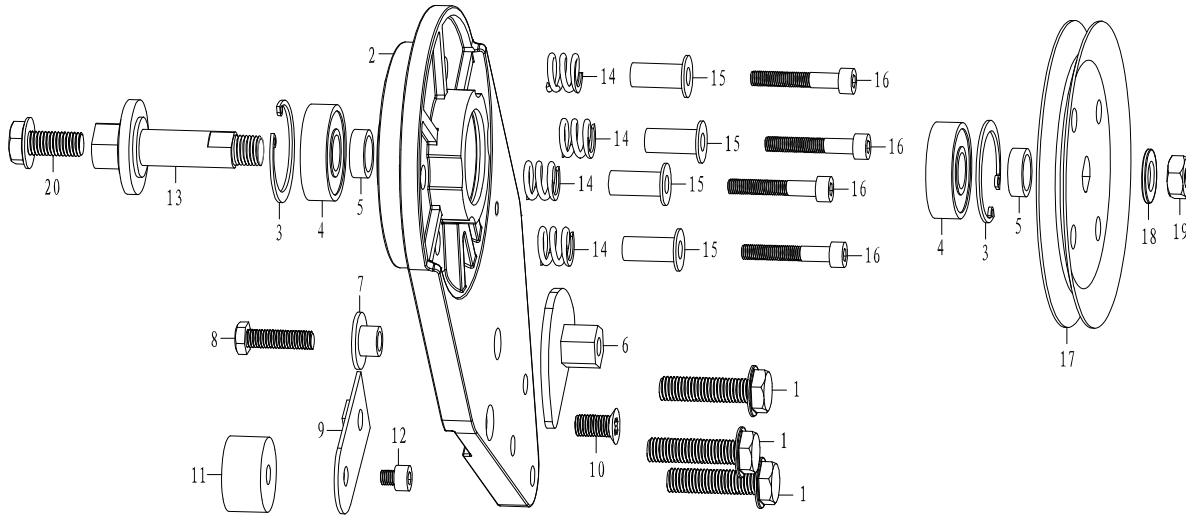


Diagram Number	Part Number	Quantity Required	Description
1	6061021	3	Hex Flange Bolt
2	6061022	1	Cutting Arm, Front
3	6061023	2	Clamp
4	6061024	2	Ball Bearing, Cutting Arm
5	6061025	2	Bushing
6	6061026	1	Belt Tensioner
7	6061027	1	Spacer
8	6061028	1	Screw
9	6061029	1	Bracket
10	6061030	1	Bolt
11	6061031	1	Rubber Washer
12	6061032	1	Bolt
13	6061033	1	Shaft, Front Cutting Arm
14	6061034	4	Spring
15	6061035	4	Spacer
16	6061036	4	Bolt
17	6061037	1	Pulley
18	6061038	1	Washer
19	6061039	1	Nut
20	6061040	1	Screw

SC6514 Parts List Clutch Assembly

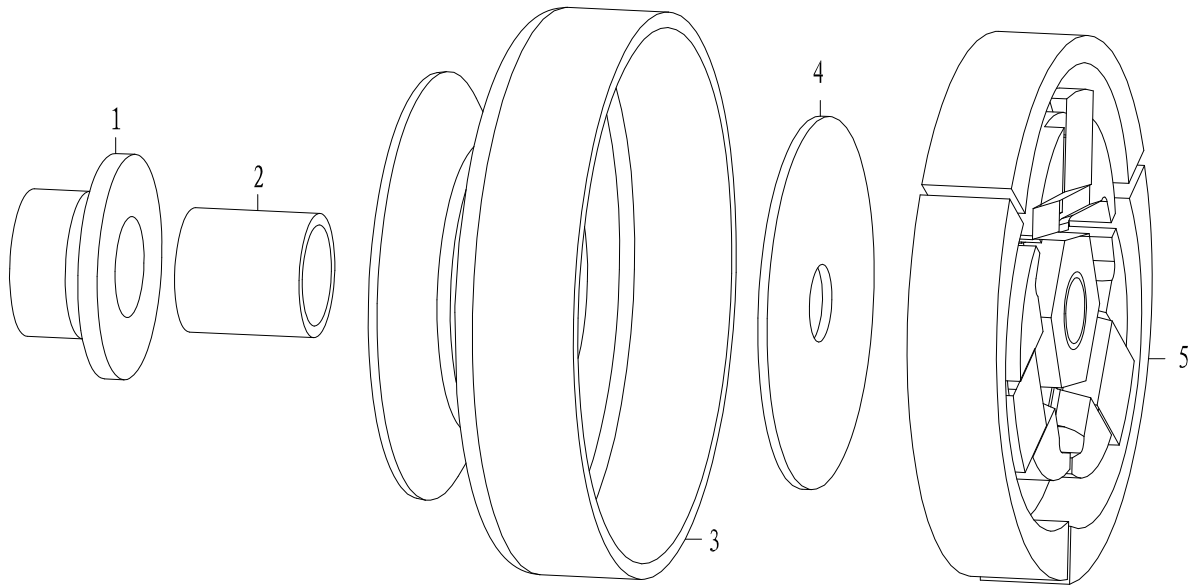


Diagram Number	Part Number	Quantity Required	Description
1	6061041	1	Spacer
2	6061042	1	Bushing
3	6061043	1	Clutch Drum
4	6061044	1	Clutch Washer
5	6061045	1	Centrifugal Clutch Assembly

SC6514 Parts List Handle Assembly

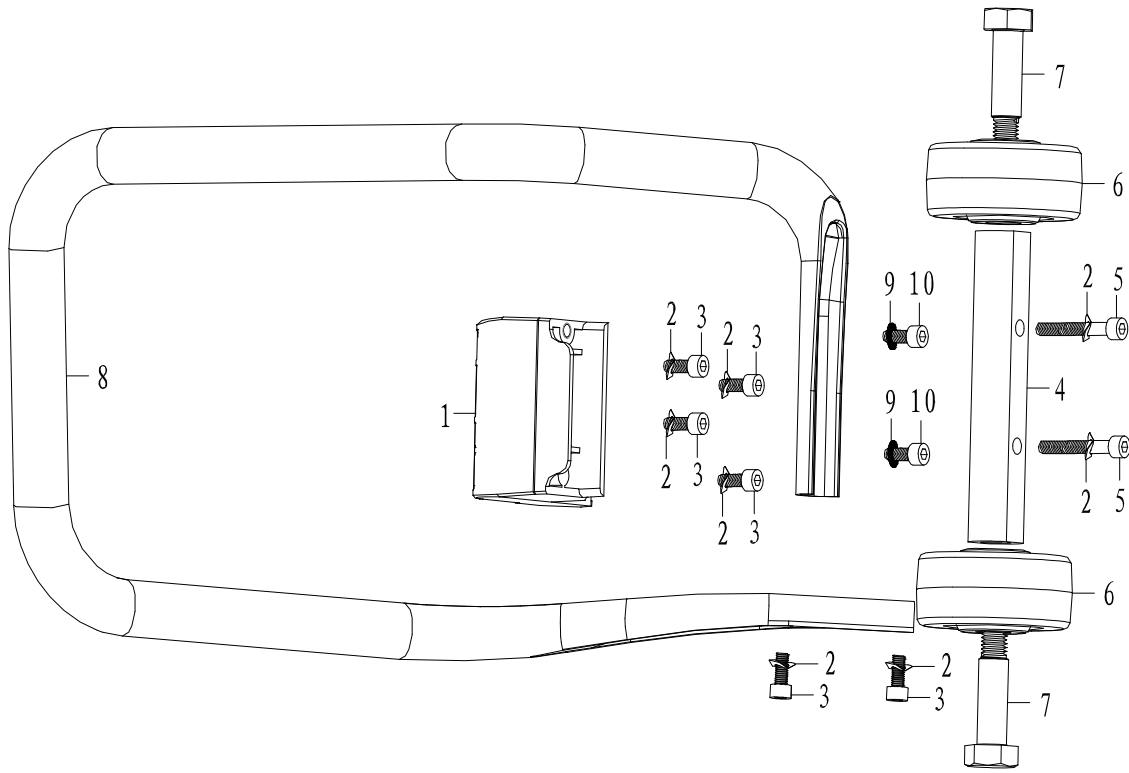


Diagram Number	Part Number	Quantity Required	Description
1	6061046	1	Bracket
2	6061047	8	Washer
3	6061048	6	Bolt
4	6061049	1	Roller Shaft
5	6061050	2	Bolt
6	6061051	2	Roller
7	6061052	2	Roller Screw
8	6061053	1	Handle
9	6061054	2	Washer
10	6061055	2	Bolt

SC6514 Parts List Control System

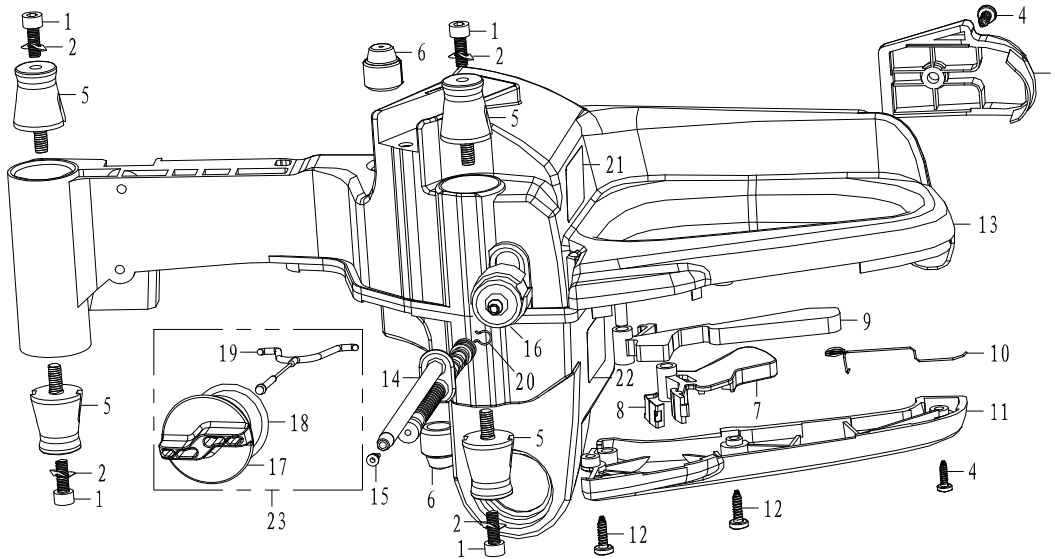


Diagram Number	Part Number	Quantity Required	Description
1	6061056	4	Bolt
2	6061057	4	Washer
3	6061058	1	Handle Support
4	6061059	2	Screw
5	6061060	4	Front Vibration Isolator
6	6061061	2	Rear Vibration Isolator
7	6061062	1	Throttle Trigger
8	6061063	1	Throttle Spring Piece
9	6061064	1	Throttle Catch
10	6061065	1	Throttle Catch Spring
11	6061066	1	Left Handle Cover
12	6061067	2	Screw
13	6061068	1	Tank Complete
14	6061069	1	Fuel Line
15	6061070	1	Tank Vent
16	6061071	1	Fuel Filter
17	See 6061075	1	Gas Cap
18	See 6061075	1	O-Ring
19	See 6061075	1	Pot Hook
20	6061072	1	Fuel Line Clamp
21	6061073	1	Engine Specs Decal
22	6061074	1	Serial Number Decal
23	6061075	1	Gas Cap Complete

SC6514 Parts List Air Filter Assembly

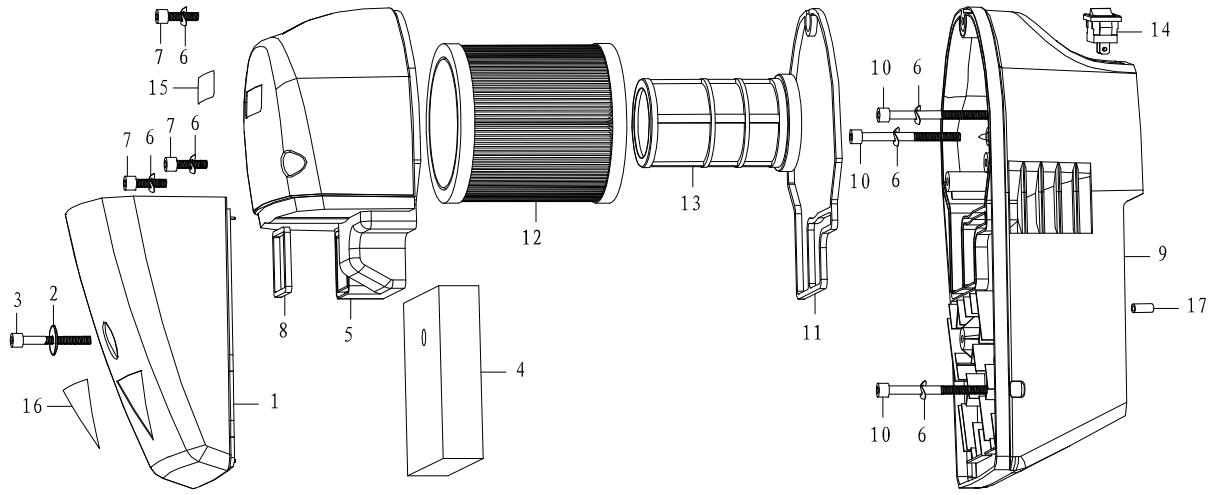


Diagram Number	Part Number	Quantity Required	Description
1	6061076	1	Front Air Filter Cover
2	6061077	1	Washer
3	6061078	1	Bolt
4	6061079	1	Foam Air Filter Element
5	6061080	1	Rear Air Filter Cover
6	6061081	6	Washer
7	6061082	3	Bolt
8	6061083	1	Seal
9	6061084	1	Filter Mounting Cover
10	6061085	3	Bolt
11	6061086	1	Seal
12	6061087	1	Paper Air Filter Element
13	6061088	1	Safety Filter
14	6061089	1	Stop Switch
15	6061090	1	Start Procedure Decal
16	6061091	1	Warning Decal
17	6061092	1	Grommet

SC6514 Parts List Carburetor Assembly

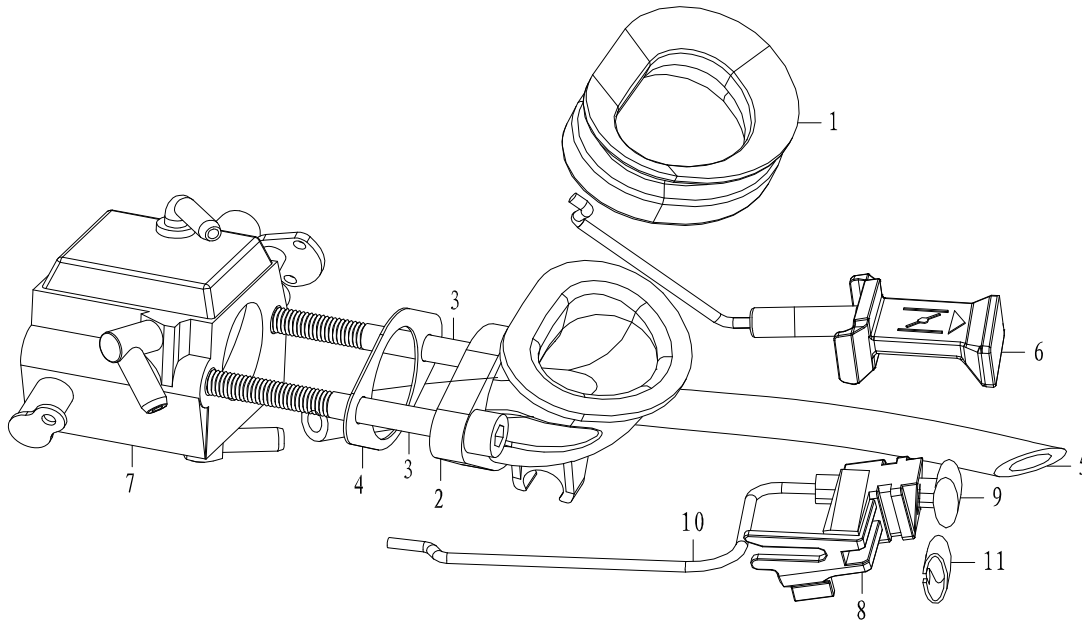


Diagram Number	Part Number	Quantity Required	Description
1	6061093	1	Rubber Seal
2	6061094	1	Intake Manifold
3	6061095	2	Bolt
4	6061096	1	Gasket
5	6061097	1	Breather Hose
6	6061098	1	Choke
7	6061099	1	Carburetor Assembly
8	6061100	1	Throttle Linkage Holder
9	6061101	1	Throttle Bushing
10	6061102	1	Throttle Rod
11	6061103	1	Throttle Spring

SC6514 Parts List Recoil Starter Assembly

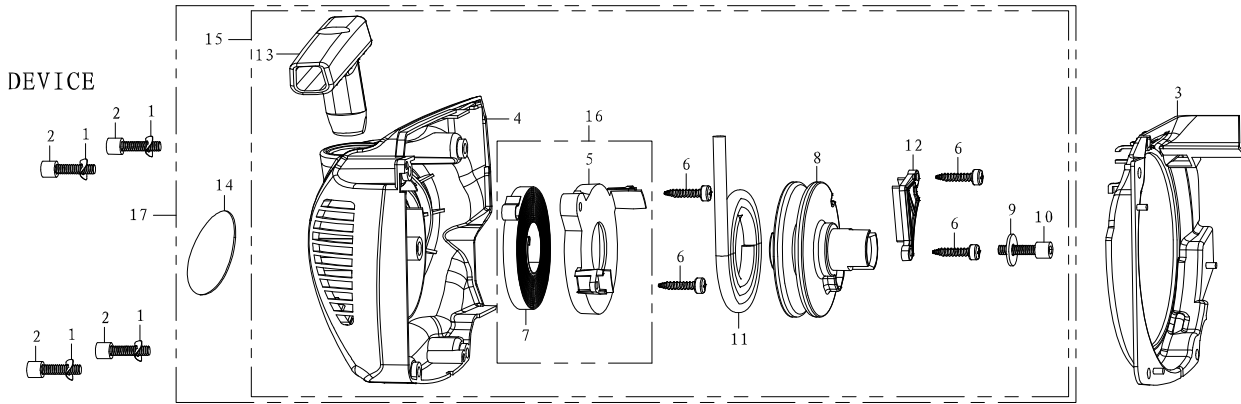


Diagram Number	Part Number	Quantity Required	Description
1	6061104	4	Washer
2	6061105	4	Bolt
3	6061106	1	Air Conductor
4	See 6061116	1	Starter Cover
5	See 6061115	1	Recoil Spring Mount
6	6061107	4	Screw
7	See 6061115	1	Recoil Spring
8	6061108	1	Starter Pulley
9	6061109	1	Washer
10	6061110	1	Bolt
11	6061111	1	Starter Rope
12	6061112	1	Baffle
13	6061113	1	Starter Handle
14	6061114	1	Model Number Decal
15	See 6061116	1	Starter Assembly
16	6061115	1	Recoil Assembly
17	6061116	1	Starter Assembly with Label

SC6514 Parts List Ignition Assembly

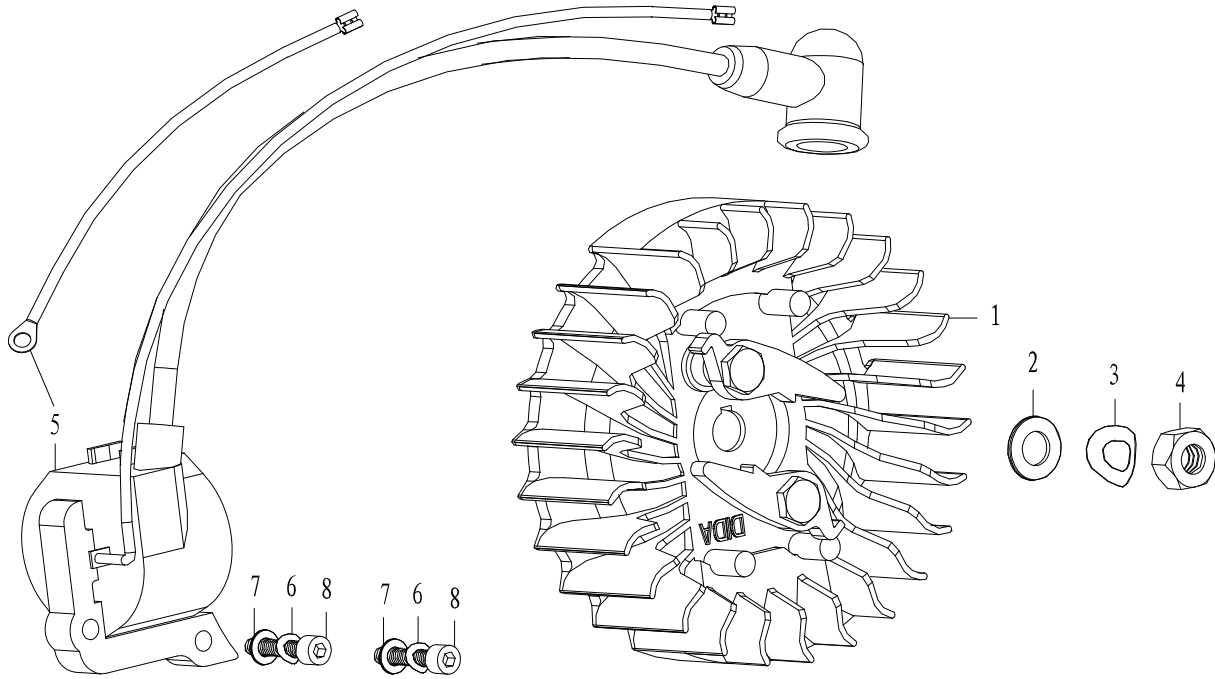


Diagram Number	Part Number	Quantity Required	Description
1	6061117	1	Flywheel Assembly
2	6061118	1	Washer
3	6061119	1	Washer
4	6061120	1	Nut
5	6061121	1	Ignition Assembly
6	6061122	2	Washer
7	6061123	2	Washer
8	6061124	2	Bolt

SC6514 Parts List Cylinder Assembly

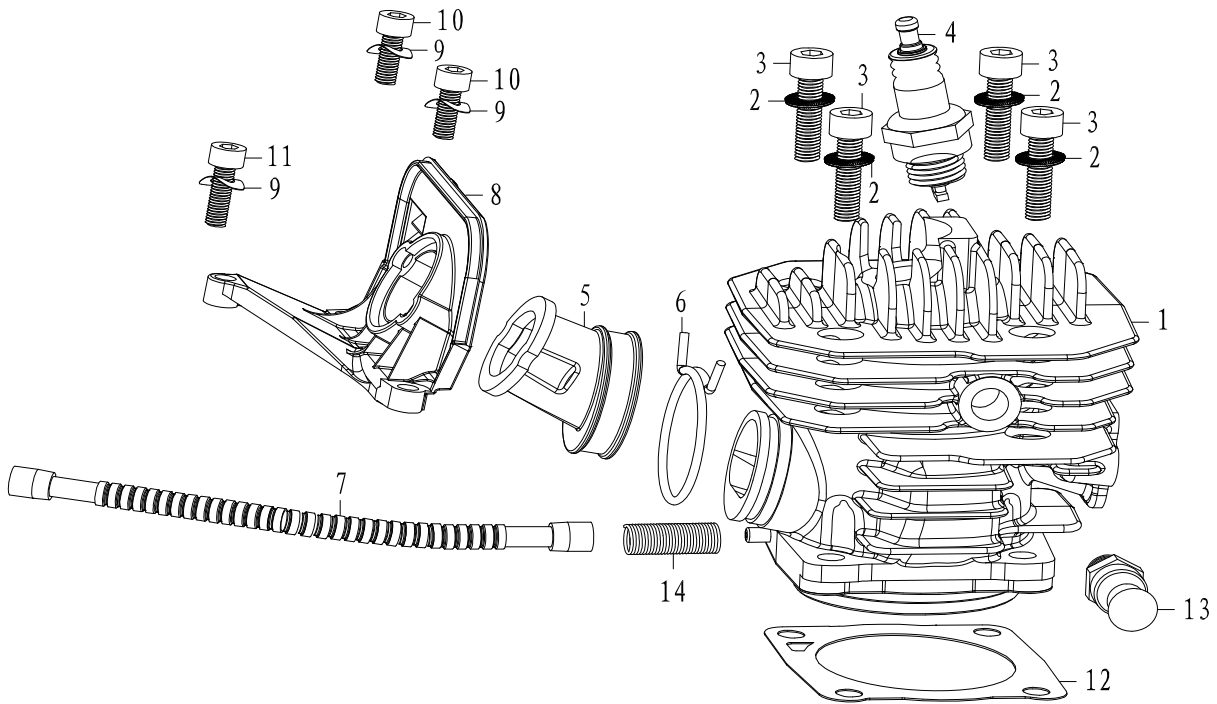


Diagram Number	Part Number	Quantity Required	Description
1	6061125	1	Cylinder
2	6061126	4	Washer
3	6061127	4	Bolt
4	6061128	1	Spark Plug
5	6061129	1	Intake Manifold
6	6061130	1	Clamp
7	6061131	1	Cylinder Breather Hose
8	6061132	1	Holder
9	6061133	3	Washer
10	6061134	2	Bolt
11	6061135	1	Bolt
12	6061136	1	Gasket
13	6061137	1	Decompression Valve
14	6061138	1	Spring

SC6514 Parts List Muffler Assembly

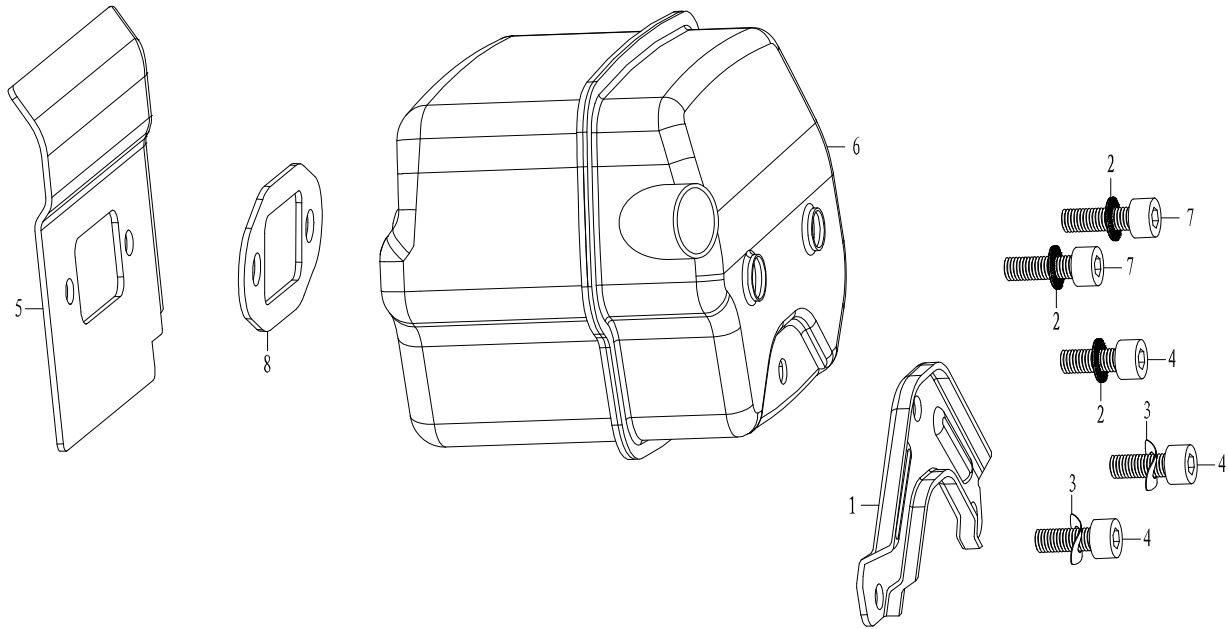


Diagram Number	Part Number	Quantity Required	Description
1	6061139	1	Holder
2	6061140	3	Washer
3	6061141	2	Washer
4	6061142	3	Bolt
5	6061143	1	Deflector
6	6061144	1	Muffler
7	6061145	2	Bolt
8	6061146	1	Gasket

SC6514 Parts List Crankshaft Assembly

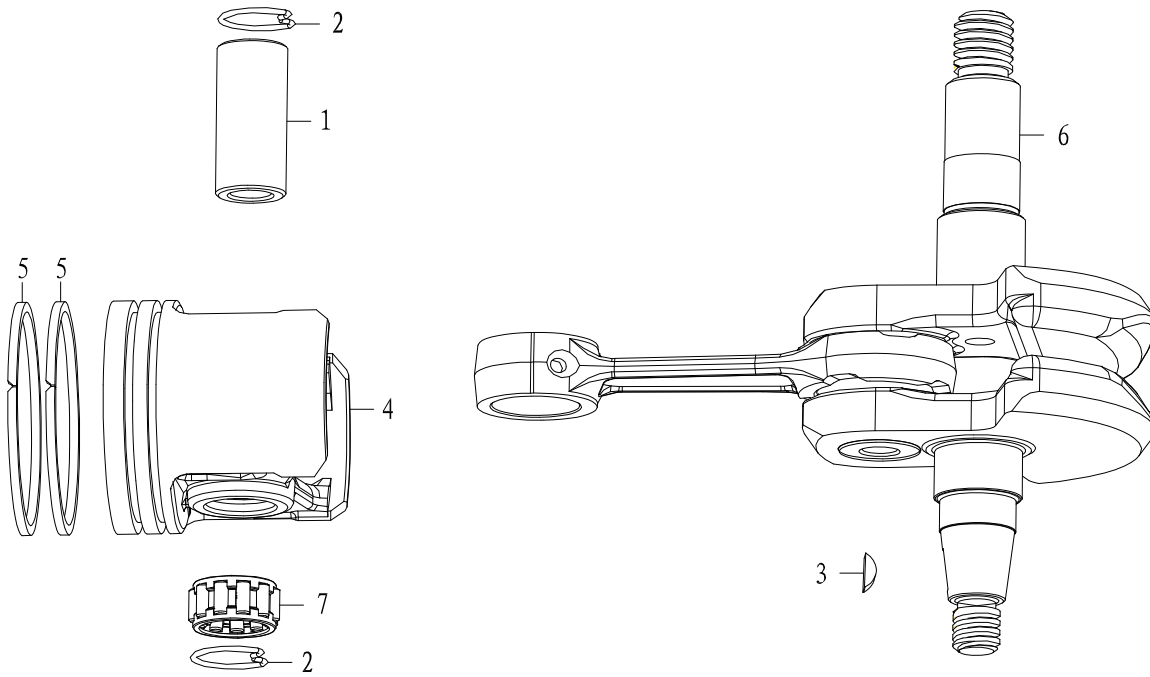


Diagram Number	Part Number	Quantity Required	Description
1	6061147	1	Wrist Pin
2	6061148	2	Retaining Ring
3	6061149	1	Woodruff key
4	6061150	1	Piston
5	6061151	2	Piston Ring
6	6061152	1	Crankshaft Assembly
7	6061153	1	Needle Bearing

SC6514 Parts List Crankcase Assembly

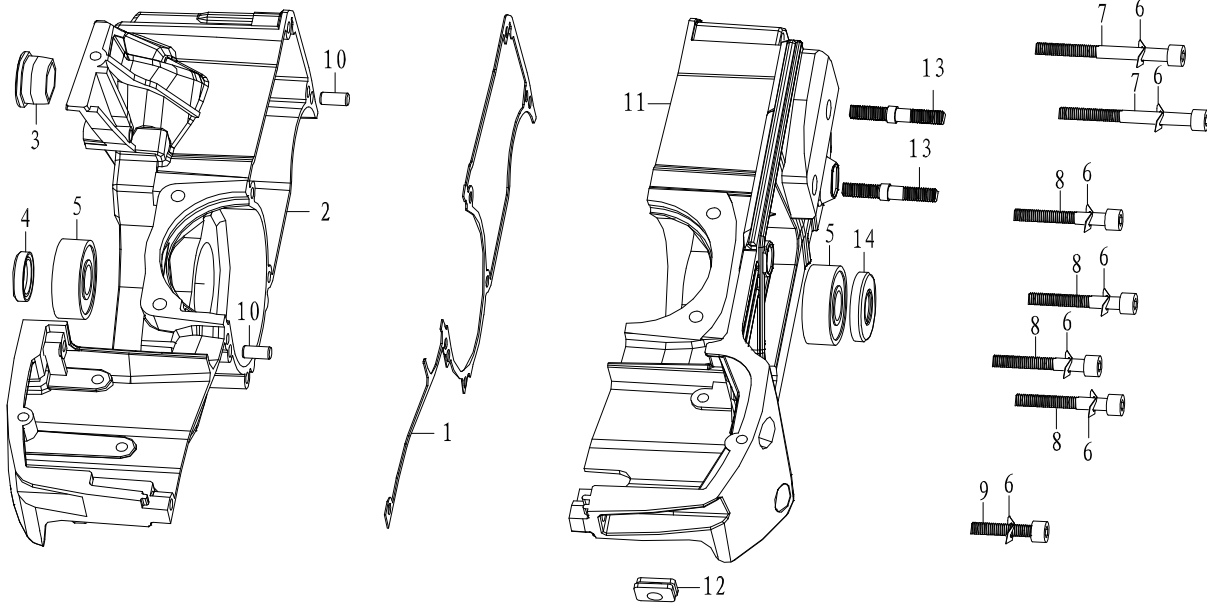


Diagram Number	Part Number	Quantity Required	Description
1	6061154	1	Gasket
2	6061155	1	Crankcase Left
3	6061156	1	Cover
4	6061157	1	Seal
5	6061158	2	Crankcase Ball Bearing
6	6061159	7	Washer
7	6061160	2	Bolt
8	6061161	4	Bolt
9	6061162	1	Bolt
10	6061163	2	Guide Pin
11	6061164	1	Crankcase Rght
12	6061165	1	Grommet
13	6061166	2	Stud Bolt
14	6061167	1	Seal

SC6514 Parts List Wet Cutting Kit

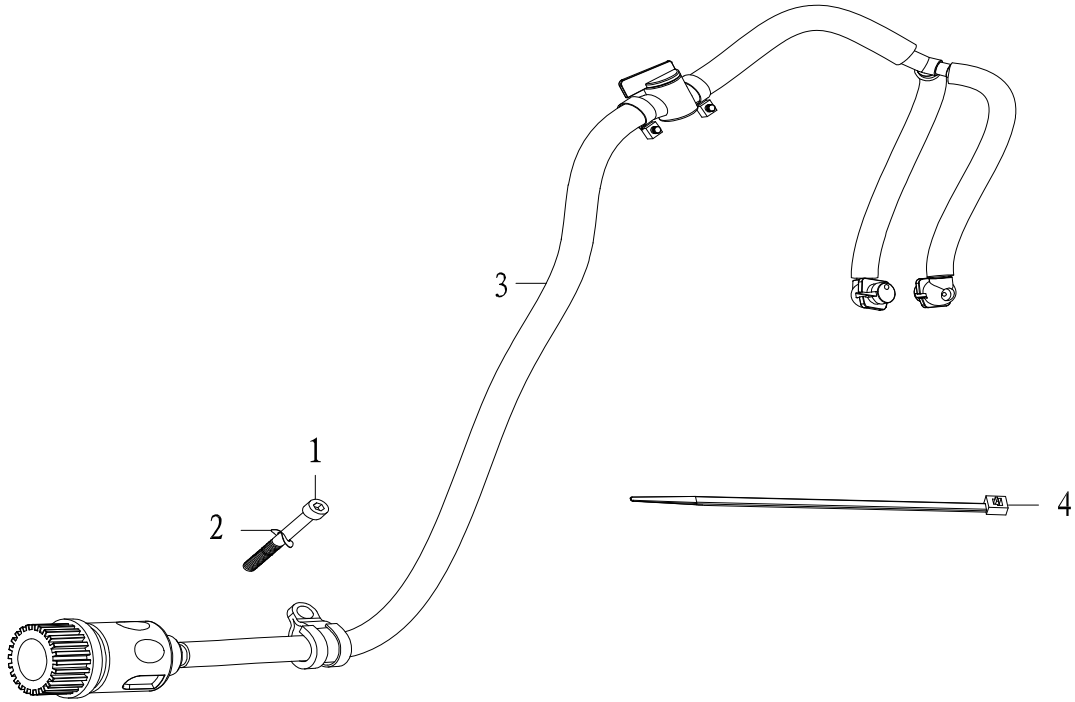


Diagram Number	Part Number	Quantity Required	Description
1	6061168	1	Bolt
2	6061169	1	Washer
3	6061170	1	Water Kit
4	6061171	1	Tie Wrap

SPEEDICUT EQUIPMENT WARRANTY

Diamond Products guarantees the highest quality and will therefore reimburse all costs for repair by replacement of damaged parts resulting from material or production faults occurring within 90 days after purchase. Please note that in some countries particular guarantee conditions may exist. If you have any questions, please contact your salesman or Diamond Products customer service department.

Please note that we cannot accept any responsibility for damage caused by:

- Disregard of the instruction manual and operator instructions
- Non-performance of the required maintenance and cleaning.
- Incorrect carburetor adjustment.
- Normal wear and tear.
- Obvious overloading due to permanently exceeding the performance limits.
- Use of other than Diamond Products cutting disks and blades.
- Use of force, improper use, misuse or accidents.
- Damage due to overheating due to obstruction of the fan housing.
- Work performed on the Speedicut by unauthorized persons or inappropriate repairs
- Use of unsuitable spare parts or parts which are not original Diamond Products parts, insofar as they have caused the damage.
- Use of unsuitable, contaminated or old oil.
- Damage related to conditions arising from lease or rental contracts.

Cleaning, servicing and adjustment work is not covered by the guarantee. All repairs covered by this guarantee must be performed by a Diamond Products service center.

THIS WARRANTY IS IN LIEU OF ALL OTHER WARRANTIES, EXPRESSED OR IMPLIED, AND ALL SUCH OTHER WARRANTIES ARE HEREBY DISCLAIMED.



333 Prospect Street, Elyria, Ohio 44035
(440) 323-4616 • (800) 321-5336 • Fax (440) 323-8689
www.diamondproducts.com