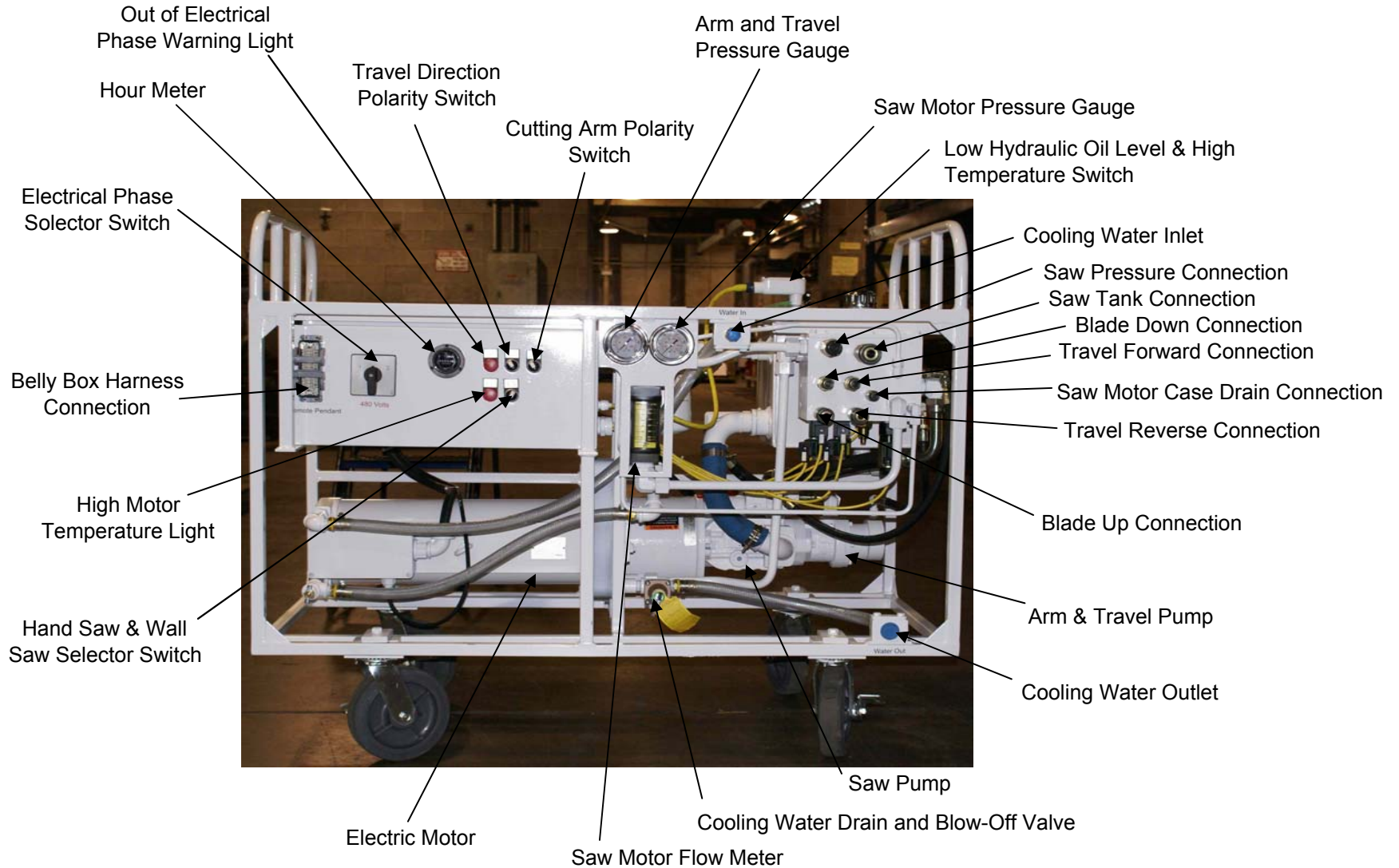
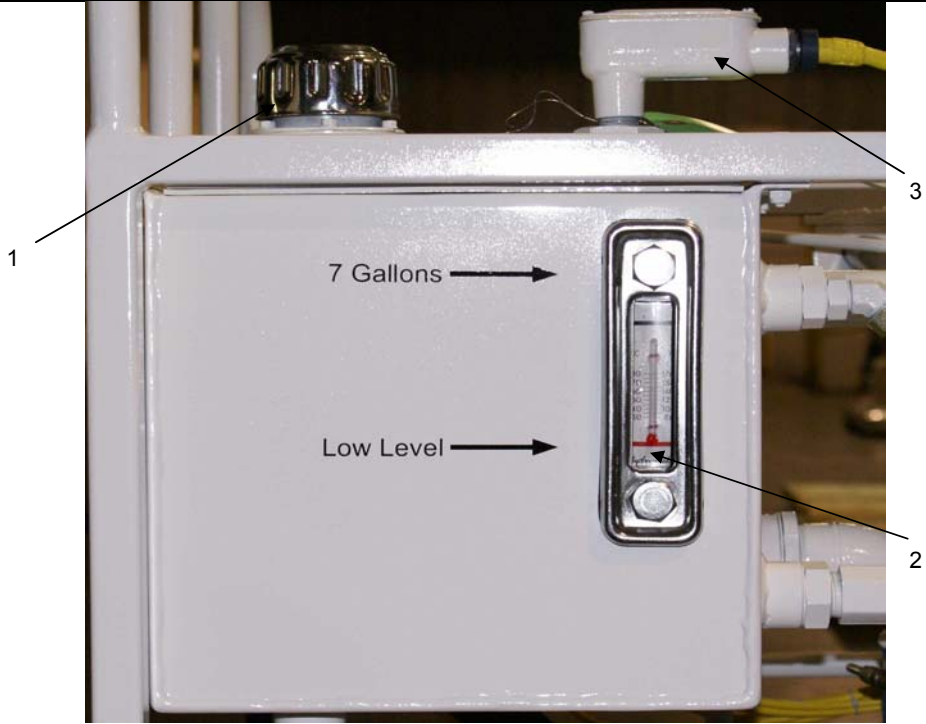


CB50E Controls & Components



CB50E Reservoir & Filter

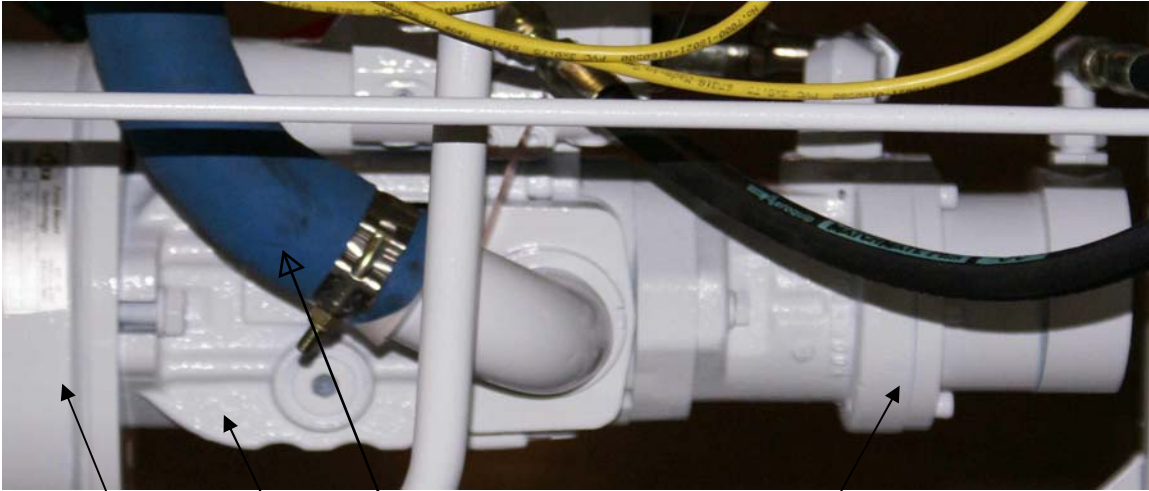


Item	Description	Part Number
1	Filler Breather Cap	2401305
2	Reservoir Oil Level & Temperature Sight Glass	HSG-55
3	Low Level & High Temperature Switch	B4030N-65-N-N0



Item	Description	Part Number
1	Filter Head	SF1302513
2	Spin-On Hydraulic Filter, 10 Micron	3205552
3	Filter Indicator Pressure Gauge	CI-20

CB50E Pumps



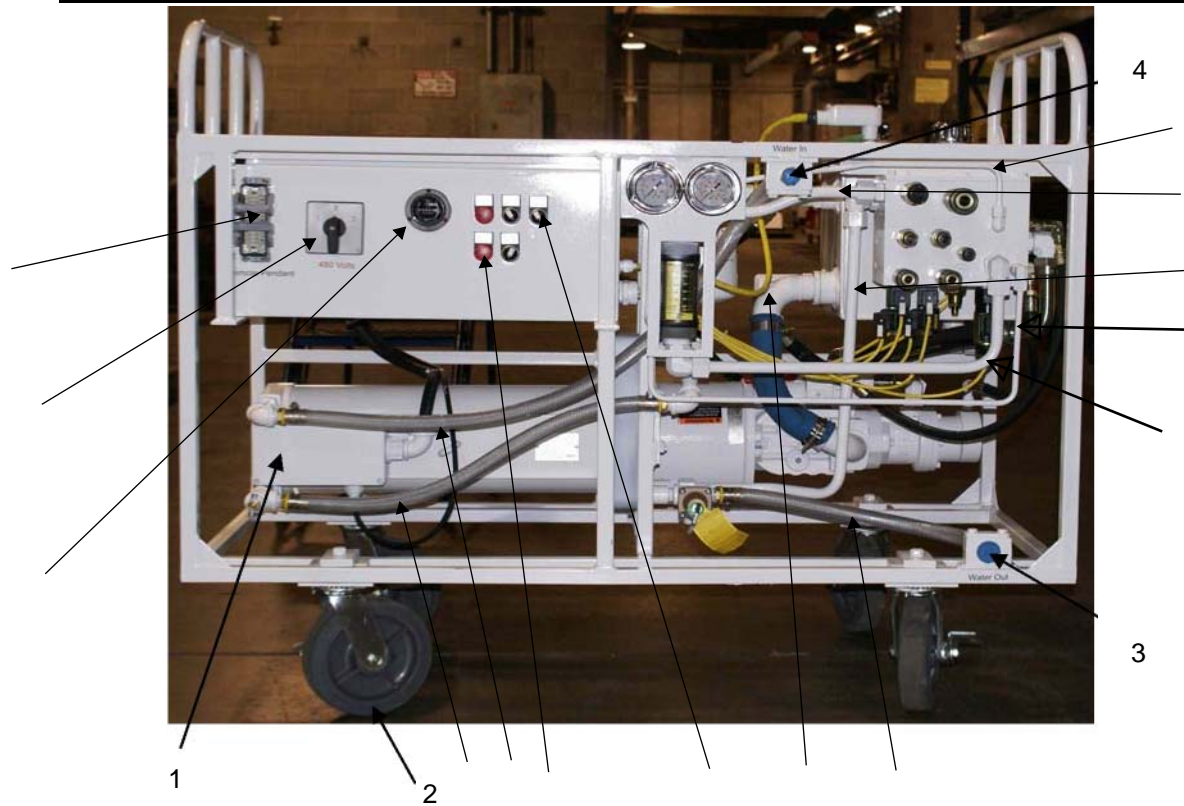
1A & B

2

3

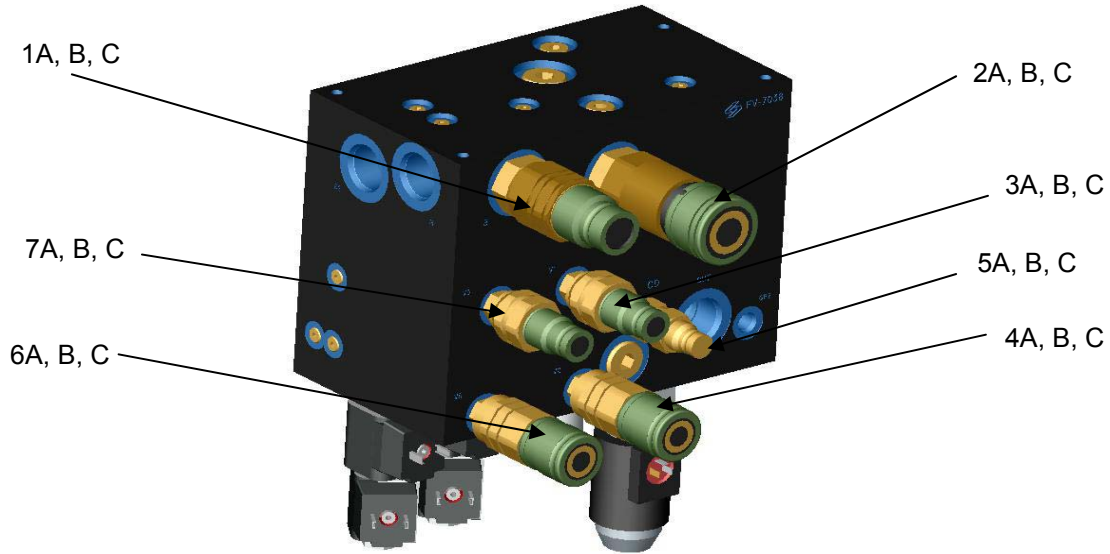
Item	Description	Part Number
1a	PUMP MOTOR ADAPTER, Steel	1202-230MM-X-8.5
1b	Coupling Half, Electric Motor	4A0-41-00
1c	Coupling Half, Pump	4A0-75-00
1d	Coupling Flexible Insert	40H-00-00
2	Hydraulic Pump, Saw	2603344
3	Hydraulic Pump, Travel & Blade Depth	PF1003-J1069

CB50E Motor, Casters, & Water



Item	Description	Part Number
1	Motor, Water Cooled Electric	2600497
2	Caster, Swivel	2504393
3,4	Fitting, Cooling Water Inlet / Outlet	4KG67
5	Caster, Rigid	2504392

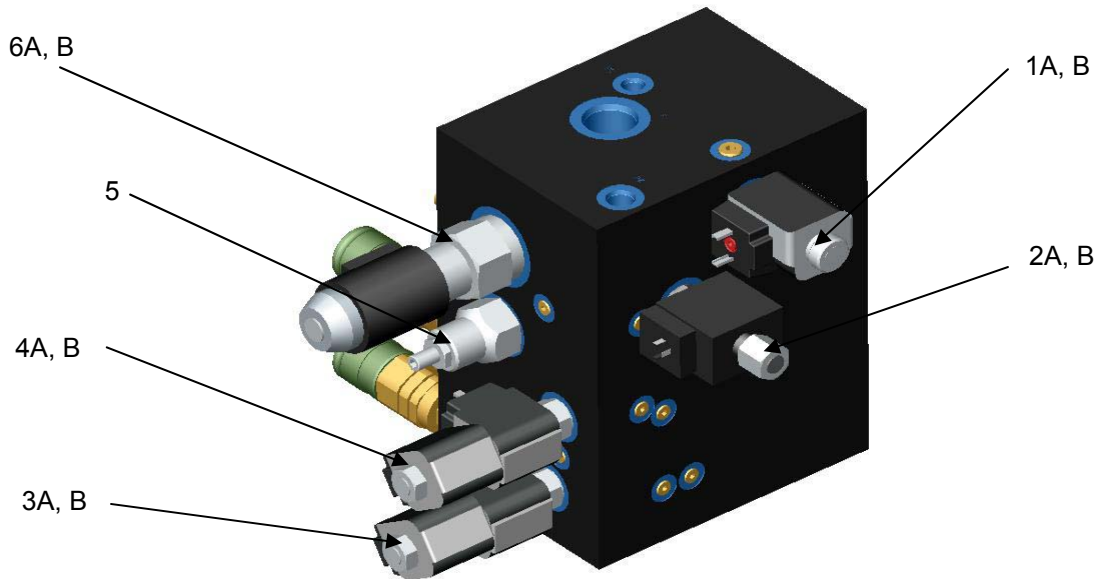
CB50E Valve Manifold Quick Disconnects



Note: Manifold Shown looking at front face and left side

Item	Description	Part Number
1A	Saw Motor Pressure Quick Disconnect, Male	3200933
1B	SAE #12 O-Ring to JIC Adapter	3200265
1C	O-Ring Parker -912, 90 Durometer, Buna N	3201433
2A	Saw Motor Tank Quick Disconnect, Female	3200932
2B	SAE #12 O-Ring Male to #12 JIC Male Adapter	3200265
2C	O-Ring Parker -912, 90 Durometer, Buna N	3201433
3A	Travel Forward Quick Disconnect, Male	3201293
3B	SAE #6 O-Ring Male to #6 JIC Male Adapter	3200263
3C	O-Ring Parker -906, 90 Durometer, Buna N	3201432
4A	Travel Reverse Quick Disconnect, Female	3201292
4B	SAE #6 O-Ring Male to #6 JIC Male Adapter	3200263
4C	O-Ring Parker -906, 90 Durometer, Buna N	3201432
5A	Saw Motor Case Drain Quick Disconnect, Female	FF04-S916M
5B	SAE #6 O-Ring Male to #4 JIC Male Adapter	3200375
5C	O-Ring Parker -906, 90 Durometer, Buna N	3201432
6A	Blade Up Quick Disconnect, Male	3201293
6B	SAE #6 O-Ring Male to #6 JIC Male Adapter	3200263
6C	O-Ring Parker -906, 90 Durometer, Buna N	3201432
7A	Blade Down Quick Disconnect, Female	3201292
7B	SAE #6 O-Ring Male to #6 JIC Male Adapter	3200263
7C	O-Ring Parker -906, 90 Durometer, Buna N	3201432

CB50E Manifold Cartridge Valves



Note: Manifold Shown looking at rear face and bottom side

Item	Description	Part Number
1A	Saw Pressure Proportional Relief Cartridge	AP02A2-29-00N
1B	Saw Pressure Proportional Relief Solenoid	CAP024D
	Seal Kit for Item 1	SK3006N-1
2A	Travel & Blade Pressure Proportional Relief Cartridge	ERV101N3M
2B	Travel & Blade Pressure Proportional Relief Solenoid	851020-24
	Seal Kit for Item 2	SK10-2
3A	Blade Up/Down Valve Cartridge	3200178
3B	Blade Up/Down Valve Solenoid	3202313
	Seal Kit for Item 3	SK30078N-1
4A	Travel Forward/Reverse Valve Cartridge	3200178
4B	Travel Forward/Reverse Valve Cartridge	3202313
	Seal Kit for Item 4	SK30078N-1
5	Main Safety Relief Valve, 4100 psi	3205938
	Seal Kit for Item 5	120017
6A	Saw Propotional Flow Control Cartridge & Solenoid	3205847
6B	Saw Propotional Flow Control Solenoid	02-154070
	Seal Kit for Item 6	02-154069

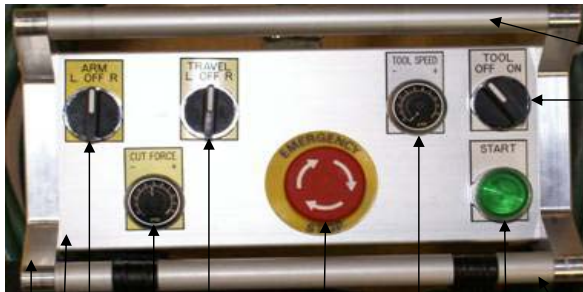
CB50E Belly Box



1 2 3 4

Item	Description	Part Number
1	Complete Box Assembly, Strap, Cord, Connector	6011315
2	Strap	2704153
3A	Connector Housing, Side Entry	2802991
3B	Connector, Internal Parts male	2802937
3C	Connector Cable Gland (max cable OD 12-20mm)	2802992
4	Cable(Specify Footage)	2800685

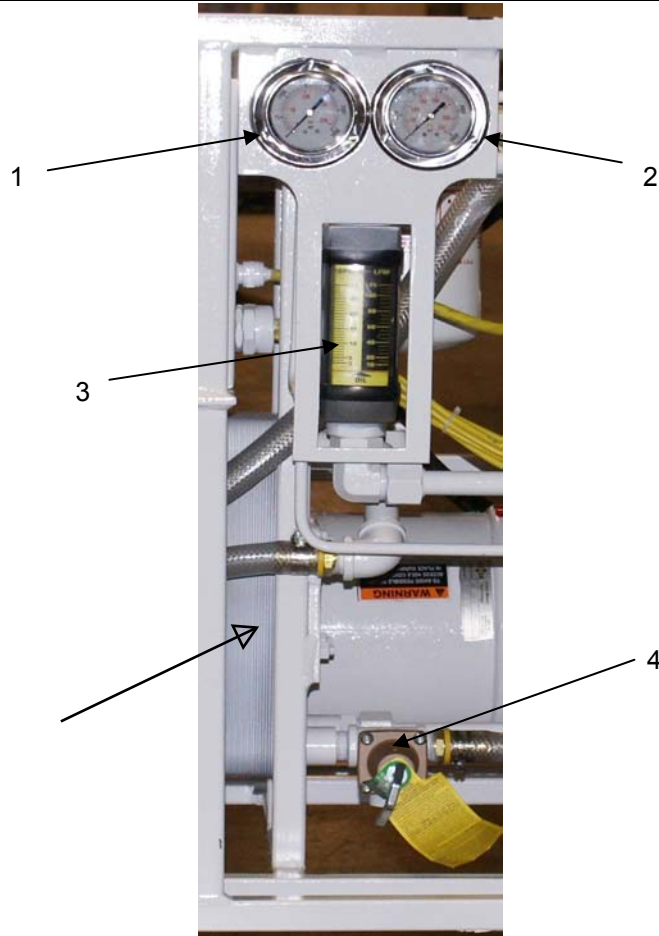
CB50E Belly Box Parts



1a 1 2 3 4 5 6 7 1b 1c 8

Item	Description	Part Number
1	Belly Box Housing(Cover & Base Only)	2704152
1a	End Cover(2 required)	2705007
1b	Protection Rod/Notched	2705009
1c	Protection Tube	2705008
2	Arm Lower/Raise Switch (Operator Only)	2802965
2a	NO contact block(2 required)	3402113
2b	Arm L Off R (Legend Plate Yellow/Black)	2802984
3	Saw Pressure Potentiometer	2800663
3a	Cut Force (Legend Plate Yellow/Black)	2802985
4	Travel Direction Switch (Operator Only)	2802964
4a	NO contact block(2 required)	3402113
4b	Travel L Off R (Legend Plate Yellow/Black)	2802986
5	E-Stop (operator only)	2802983
5a	NC contact block	3402114
5b	E-Stop (Legend Plate Yellow/Black)	2802987
6	Saw Speed Potentiometer	2800663
6a	Tool Speed (Legend Plate White/Black)	2802988
7	Push Button w/Motor Run Light(Operator Only)	2802966
7a	N.O Contact Block	3402113
7b	Start (Legend Plate White/Black)	2802989
8	Tool Switch (Operator Only)	2802963
8a	N.O Contact Block	3402113
8b	Tool Off/On (Legend Plate White/Black)	2802990

CB50E Gauges



Item	Description	Part Number
1	Pressure Gauge, 0 to 3000	3200250
2	Pressure Gauge, 0 to 5000	2706874
3	Flow Meter	3201596
4	Water Pop-Off & Drain Valve	2707210