



**CORE CUT
PARTS LIST**

**CC150XL-EE
FIRST CUT SAW**

JULY 2023

Part #: 1802416-17

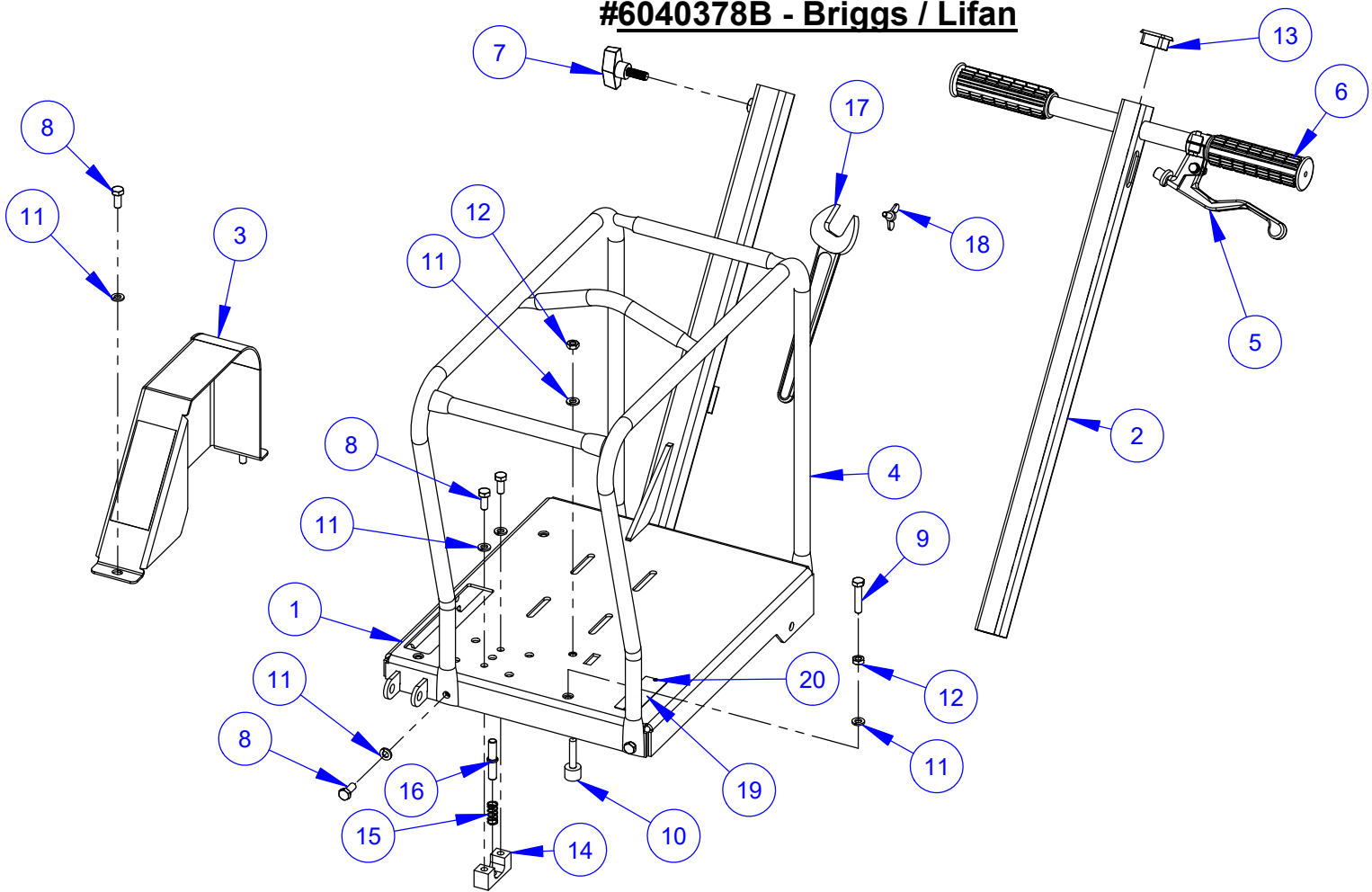
Quick Reference Replacement/Service Parts

<u>DP Part No.</u>	<u>Description</u>	<u>Manufacturer's Part No.</u>
2505481	Skid Plate – 6/8” – .156 Slot	-
2500380	(1x) V-Belt – 3VX300	3VX300

Table of Contents

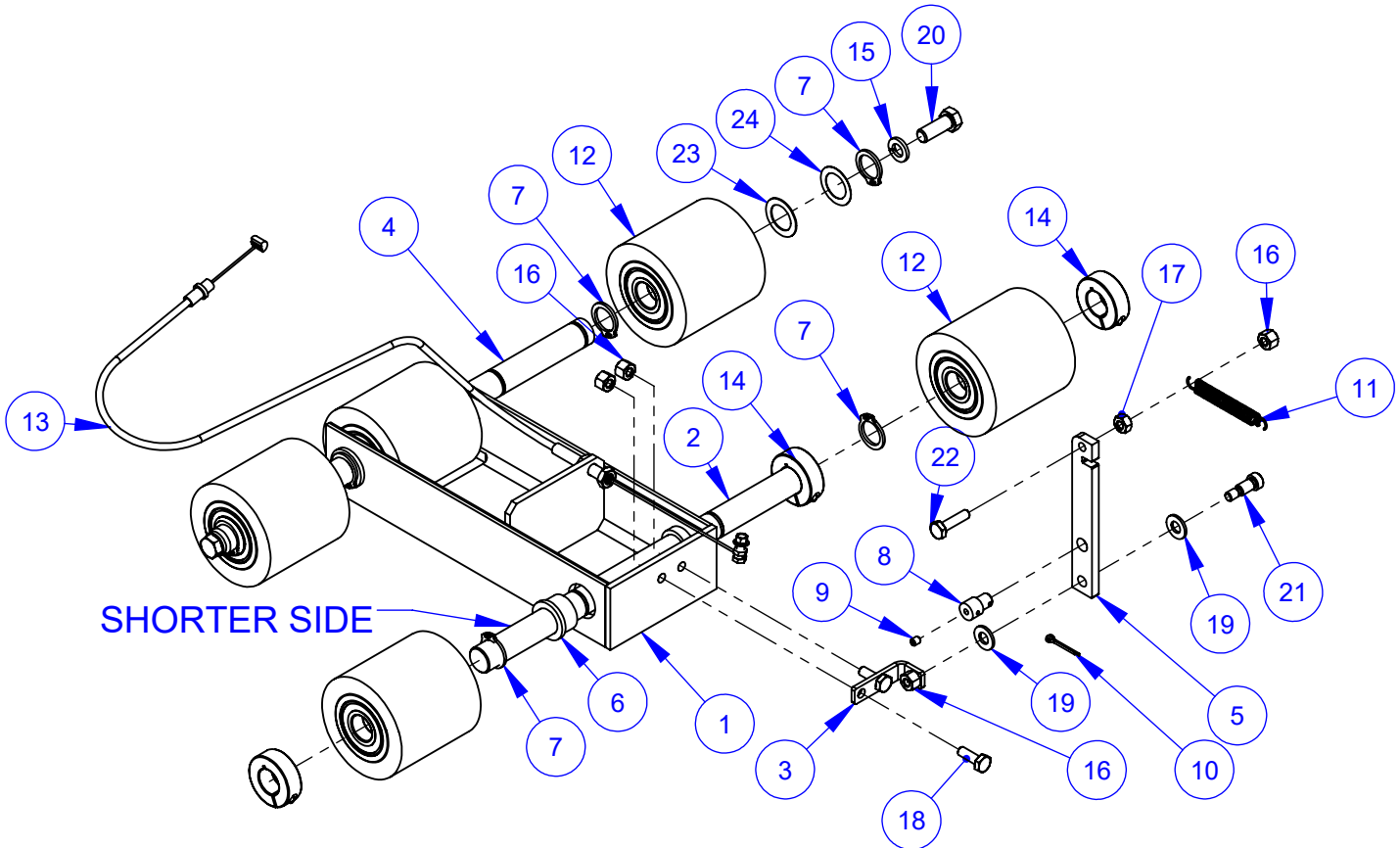
Quick Reference.....	2
Frame Assembly.....	4
Axle Assembly.....	5
Motor Assembly.....	6
Blade Shaft Assembly.....	7
Spring Box Assembly.....	8
Pointer Assembly.....	10
Notes.....	11
Warranty.....	12

Frame Assembly: #6040378A - Honda / Baldor
#6040378B - Briggs / Lifan



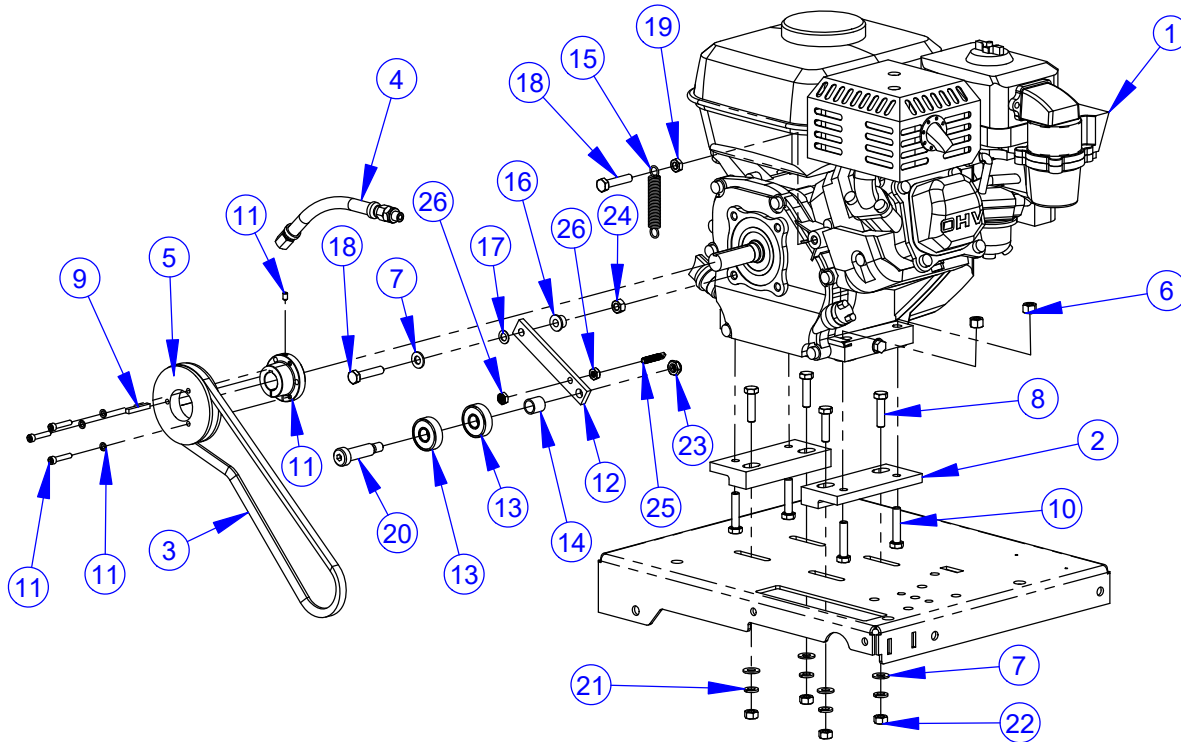
ITEM	PART NO.	QTY.	DESCRIPTION
1	6040748	1	Frame Weldment
2	6040749	1	Handle Weldment
3	6040913	1	Belt Guard w/ Decals
4	6040615	1	Lift Cage
	6040915	1	Lift Cage, Honda
5	6010619	1	Bracket, Handlebar Lever
6	2500001	2	7/8" Handle Grip
7	2503942	1	T Handle Locking Knob /w 3/8-16 Stud
8	2900019	8	Cap Screw, Hex Hd., 5/16-18 x 3/4"
9	2900508	1	Cap Screw, Hex Hd., 5/16-18 x 1-1/2"
10	2504808	1	Bumper w/ 5/16-18 threaded stud
11	2900031	10	Lock Washer, 5/16" Split
12	2900283	2	Jam Nut, 5/16-18
13	2503823	1	Plug, 1-1/4 Square Tube
14	6040560	1	Blade Stop Block
15	2501192	1	Spring, Comp. .48 x .042 x 1.00 Long
16	6040561	1	Blade Stop
17	2500256	1	Wrench, 1-1/16" Open End
18	2900307	1	Wing Screw, M6 x 16mm
19	1800169	1	Serial Number Plate, US
20	2900053	2	Rivet, 3/32" Dia.

Axle Assembly #6040379



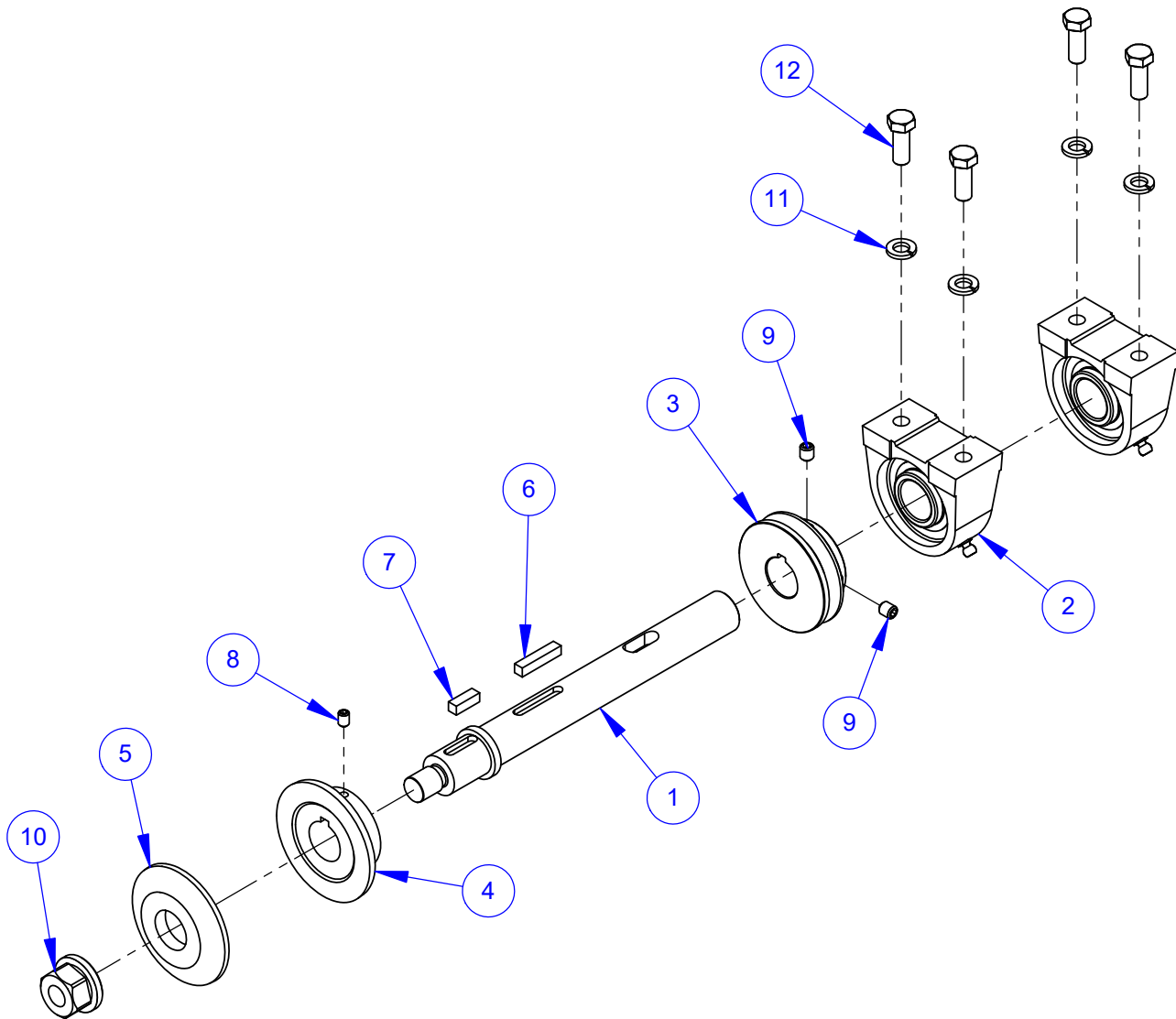
ITEM	PART NO.	QTY.	DESCRIPTION
1	6040750	1	Axle Weldment
2	6040751	1	Shaft, Front Axle
3	6040754	1	Bracket, Lift
4	6040549	1	Shaft, Rear Axle
5	6040814	1	Lift Plate
6	2503189	4	Bearing, Flanged Bronze 3/4 ID
7	2504805	8	Retaining Ring, .75 Ext. Heavy Duty
8	6048212	1	Pivot Pin
9	2900059	1	Set Screw, Soc. Hd., #10-32 x 1/4"
10	2900034	1	Cotter Pin, 3/32" x 3/4"
11	2500066	1	Spring, Ext 3/8 X .055 X 5"
12	2503641	5	Wheel 3 X 3 X 3/4" Poly
13	2506324	1	Cable Assembly
14	2504577	3	Shaft Collar, 3/4" Split
15	2900006	2	Lock Washer, 3/8" Split
16	2900010	4	Lock Nut, 1/4-20 Nylon
17	2900125	1	Hex Nut, 1/4-20
18	2900144	2	Cap Screw, Hex Hd., 1/4-20 x 3/4"
19	2900022	2	Flat Washer, 5/16" SAE
20	2900005	2	Cap Screw, Hex Hd., 3/8-16 x 1"
21	2900051	1	Shoulder Screw, 5/16" x 1/2" (1/4-20)
22	2900008	1	Cap Screw, Hex Hd., 1/4-20 x 1"
23	2505348	AR	Shim, 3/4" x 1-1/8" x .030"
24	2900942	AR	Shim, 3/4" x 1-1/8" x .015"

**Motor Assembly: #6040350- Honda
#6040727- Briggs
#6040590- Lifan**



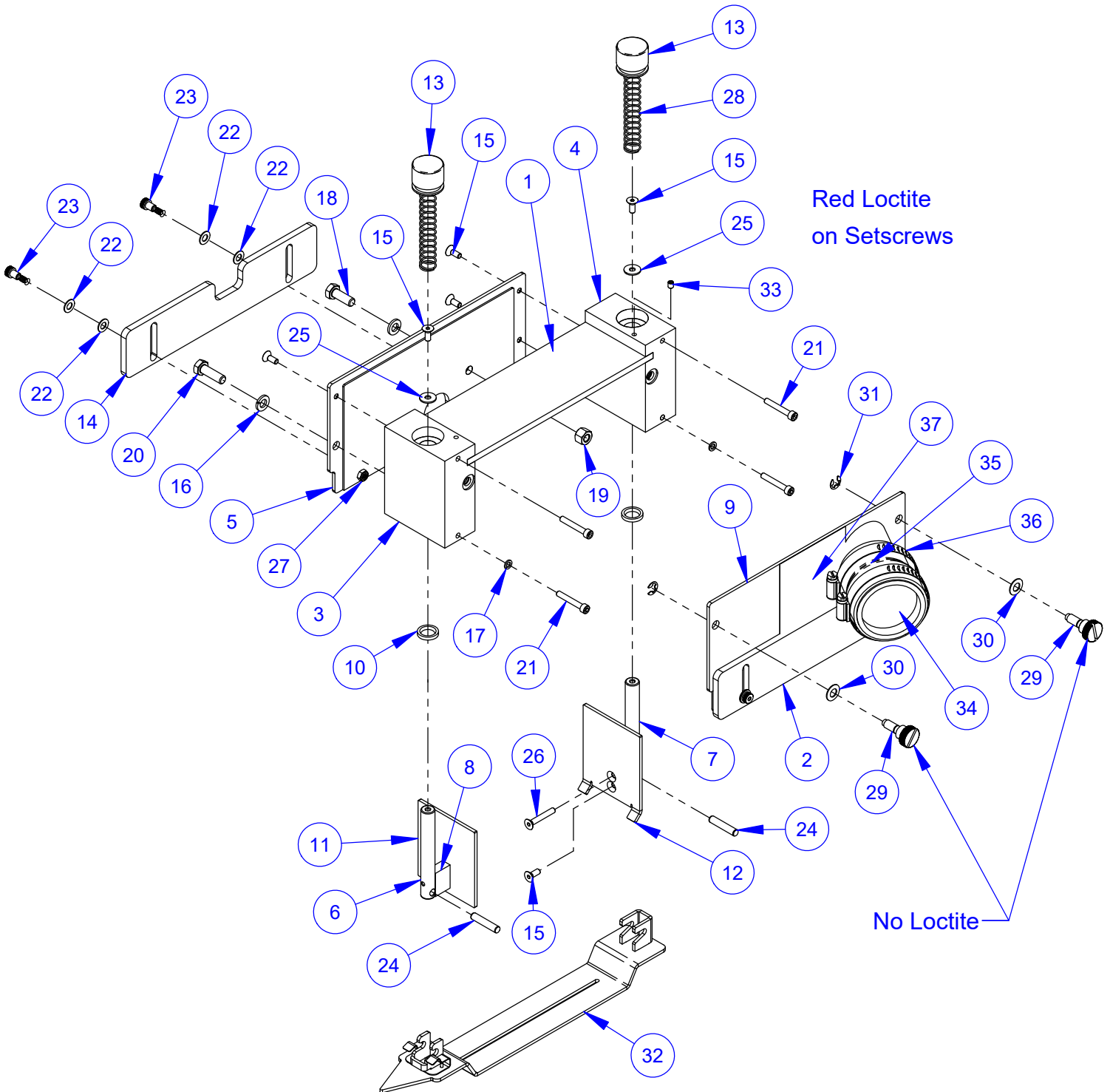
ITEM	PART NO.	QTY.	DESCRIPTION
1	2600091	1	Engine, Honda 4.8 HP (GX160)
	2600601	1	Engine, Briggs & Stratton 5.5HP
	2601708	1	Engine, Lifan LF168F
2	6030051	2	Mount, Engine
3	2500380	1	V-Belt, 3VX300
4	6030108	1	Oil Drain Assembly (Honda & Lifan)
	6030249	1	Oil Drain Assembly (Briggs)
5	2505302	1	Sheave, 3.35"
6	2900039	4	Lock Nut, 5/16-18 Nylon
7	2900022	5	Flat Washer, 5/16" SAE
8	2900217	4	Cap Screw, Hex Hd., 5/16-18 x 1-1/4"
9	6048229	1	Key, 3/16" Sq. x 1-1/4"
10	2900508	4	Cap Screw, Hex Hd., 5/16-18 x 1-1/2"
11	2507324	1	QD Bushing, JA x 3/4" w/Fasteners
12	6040562	1	Plate, Belt Tensioner
13	2502276	2	Ball Bearing, 1/2 x 1-3/8 x 7/16 (1621-ZZ)
14	6040563	1	Bushing, Steel 1/2 ID x 5/8 OD x 5/8 Long
15	2503190	1	Spring, Ext..48 x .063 x 3.00 Long
16	2504848	1	Bearing, Bronze Fl. SF-1016-6
17	2900889	1	Friction Washer, 5/16"
18	2900945	2	Cap Screw, Hex Hd., 5/16-24 x 1-1/2"
19	2900049	1	Jam Nut, 5/16-24
20	2900826	1	Shoulder Screw, 1/2" x 1-1/2" (3/8-16)
21	2900031	4	Lock Washer, 5/16" Split
22	2900141	4	Hex Nut, 5/16-18
23	2903246	1	Jam Lock Nut, 3/8-16
24	2900946	1	Hex Nut, 5/16-24
25	2504972	1	1/4-20 X 1-1/4" Spring Anchor
26	2902126	2	Jam Lock Nut, 1/4-20

Blade Shaft Assembly #6040380



ITEM	PART NO.	QTY.	DESCRIPTION
1	6040752	1	Blade Shaft
2	2500732	2	Pillow Block Bearing 1"
3	6040807	1	Sheave, 3V-2.75-1 Groove
4	6041069	1	Flange, Inner Blade 3"
5	6041070	1	Flange, Outer Blade 3"
6	6010169	1	Key, 1/4" Sq. x 1-1/4"
7	6040081	1	Key, 1/4" Sq. x 3/4"
8	2900101	1	Set Screw, Soc. Hd., 1/4-20 x 3/8"
9	2900142	2	Set Screw, Soc. Hd., 5/16-18 x 3/8"
10	2900065	1	Flange Nut, 5/8-11 R.H.
11	2900006	4	Lock Washer, 3/8" Split
12	2900005	4	Cap Screw, Hex Hd., 3/8-16 x 1"

Spring Box Assembly # 6040664



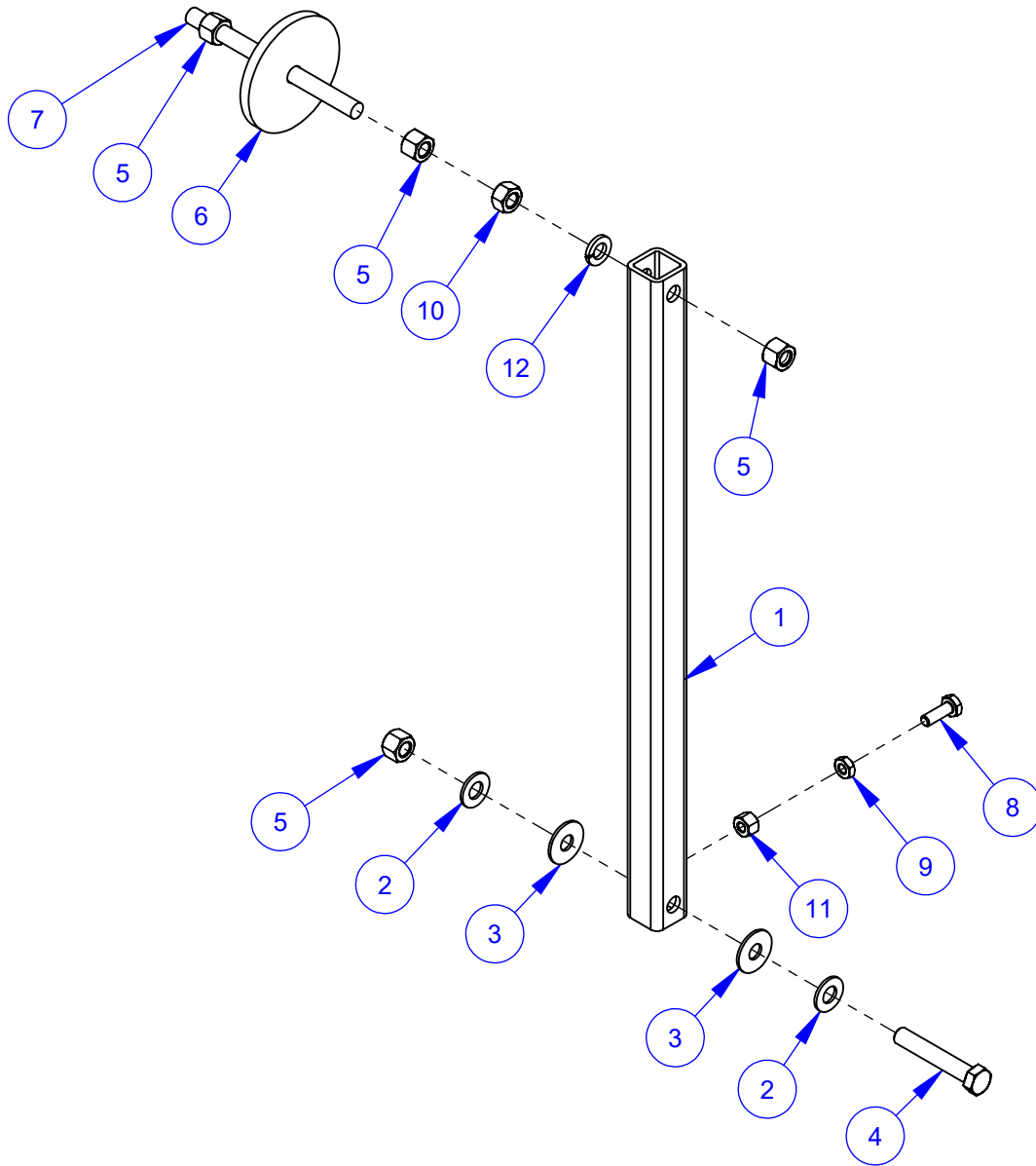
Assembly Note:

1. Apply 2502046 Synthetic grease to OD of compression springs.
2. Apply Blue Loctite on all threads unless noted.

Spring Box Assembly #6040664

ITEM	PART NO.	QTY.	DESCRIPTION
1	6040655	1	Cover, Top Spring Box
2	6040662	1	Cover, Outer Lexan
3	6040654	1	Spring Block, Rear 6"
4	6040653	1	Spring Block, Front 6"
5	6040652	1	Cover, Inner Spring Box
6	6040850	1	Shaft, Spring Block Rear
7	6040657	1	Shaft, Spring Block Front
8	6040659	2	Block, Dust Diverter
9	6040774	1	Vac Attachment Cover Weldment
10	2504593	2	Shaft Seal, 1/2" Shaft
11	6040813	1	Diverter, Rear Dust
12	6040660	1	Diverter, Front Dust
13	6040656	2	Spring Block Cap
14	6040663	1	Cover, Inner Lexan
15	2900456	7	Cap Screw, Flat Hd., #10-32 x 1/2"
16	2900031	2	Lock Washer, 5/16" Split
17	2900038	2	Lock Washer, #10 Split
18	2900668	1	Cap Screw, Hex Hd., 5/16-18 x 7/8"
19	2900039	1	Lock Nut, 5/16-18 Nylon
20	2900138	1	Cap Screw, Hex Hd., 5/16-18 x 1"
21	2901584	4	Cap Screw, Soc. Hd., #10-32 x 1-1/4"
22	2901585	8	Flat Washer, 1/4" Nylon
23	2902008	4	Shoulder Screw, 1/4" x 5/16 (#10-24)
24	2900577	2	Dowel Pin, 1/4" Dia x 1-1/4"
25	2900770	2	Fender Washer, M5
26	2907093	2	Cap Screw, Flat Hd., #10-32 x 1-1/4"
27	2902007	4	Jam Lock Nut, #10-24 Nylon
28	2504643	2	Spring, Comp. .60 x .045 x 3.50 Long
29	6040385	2	Captive Thumb Screw, 5/16-18
30	2901963	2	Washer, Belleville 5/16"
31	2504645	2	Retaining Ring, 5/16 Ext.
32	2505481	1	Skid Plate Weldment Universal- 6/8" Blade - .156 slot
33	2900059	2	Set Screw, Soc. Hd., #10-32 x 1/4"
34	2505177	1	Plug, Tapered Round 2-1/4"
35	2506008	1	Hose Reducer, 2.25"-2" ID
36	3200096	2	Hose Clamp #40
37	1805555	1	First Cut Decal
38	2502046	AR	Grease, Fuchs Synthetic

Pointer Assembly #6041088



ITEM	PART NO.	QTY.	DESCRIPTION
1	6041085	1	Pointer
2	2900014	2	Flat Washer, 3/8" SAE
3	2900153	2	Friction Washer, 3/8"
4	2900079	1	Cap Screw, Hex Hd., 3/8-16 x 2-1/4"
5	2900018	4	Locknut, 3/8-16, Nylon
6	6041086	1	Guide Wheel
7	6041087	1	3/8-16 X 5.00" Threaded Rod
8	2900144	1	Cap Screw, Hex Hd., 1/4-20 x 3/4"
9	2900358	1	Jam Nut, 1/4-20
10	2900033	1	Hex Nut, 3/8-16
11	2900010	1	Lock Nut, 1/4-20 Nylon
12	2900006	1	Lock Washer, 3/8" Split

EQUIPMENT AND PARTS WARRANTY

Diamond Products warrants all equipment manufactured by it against defects in workmanship or materials for a period of one (1) year from the date of shipment to Customer.

The responsibility of Diamond Products under this Warranty is limited to replacement or repair of defective parts at Diamond Products' Elyria, Ohio factory, or at a point designated by it, of such parts as shall appear to us upon inspection at such parts, to have been defective in material or workmanship, with expense for transportation and labor borne by Customer.

In no event shall Diamond Products be liable for consequential or incidental damages arising out of the failure of any Product to operate properly.

Integral units such as engines, electric motors, batteries, transmissions, etc., are excluded from this Warranty and are subject to the prime manufacturer's warranty.

THIS WARRANTY IS IN LIEU OF ALL OTHER WARRANTIES, EXPRESSED OR IMPLIED, AND ALL SUCH OTHER WARRANTIES ARE HEREBY DISCLAIMED.



333 Prospect Street, Elyria, Ohio 44035
(440) 323-4616 • (800) 321-5336 • Fax (800) 634-4035
www.diamondproducts.com