



**CORE CUT
PARTS LIST MANUAL**

**CC1800XL
GAS**

SEPTEMBER, 2021

Part #: 1801035-17

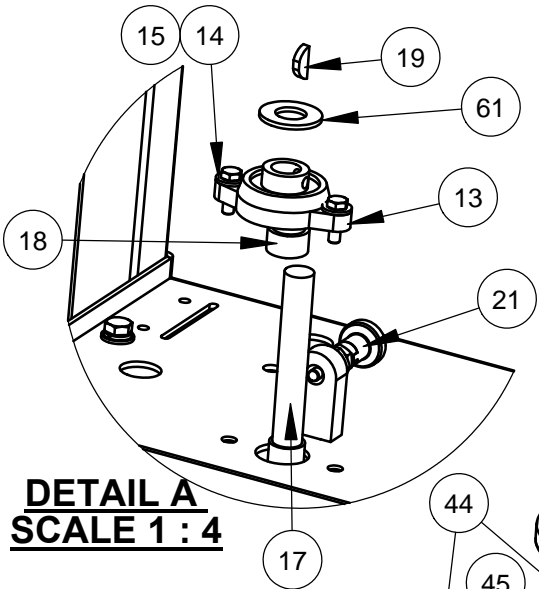
Quick Reference Service Filters/ Belts

<u>DP Part No.</u>	<u>Description</u>	<u>Manufacturer's Part No.</u>
2700201	Air Filter for 13HP Honda (GX390)	(Honda #17210-ZE3-505)
2701757	Pre-Cleaner Air Filter for 16HP Briggs	(B&S #272490)
2703421	Air Filter for 13.5HP Briggs	(B&S #591338)
2701758	Air Filter for 16HP Briggs	(B&S #394018)
2501211	Air Filter for 20HP Honda (GX630)	(Donaldson # P821575)
2501184	Air Filter for 23HP Briggs	(Donaldson # P822686)
2703150	Fuel Filter for 13HP Honda (GX390)	(Honda #17672RZE2-W01)
2703422	Fuel Filter for 13.5HP Briggs	(B&S #797346)
2701841	Fuel Filter for 16HP Briggs	(B&S #808116S)
2700348	Fuel Filter for 20HP Honda (GX630)	(Honda #17672-880-000)
2703209	Fuel Filter for 23HP Briggs	(B&S #691035)
2702211	Oil Filter for 16HP Briggs	(B&S #492932S)
2701501	Oil Filter for 20HP Honda (GX630)	(Honda #15400-P0H-305PE)
2703210	Oil Filter for 23HP Briggs	(B&S #842921)
2500035	Blade Shaft Belt (3) for 13HP Honda (GX390)	(Gates #3VX335)
2500033	Transmission Belt for 13HP Honda (GX390)	(Gates #4L-430)
2500036	Blade Shaft Belt (4) for 20HP Honda (GX630) 16HP Briggs/23HP Briggs	(Gates #3VX355)
2500632	Transmission Belt for 20HP Honda (GX630) 16HP Briggs/23HP Briggs	(Gates #4L-410)

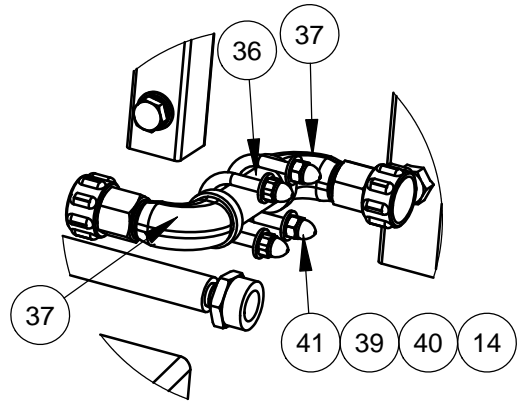
TABLE OF CONTENTS

<u>Description</u>	<u>Page No.</u>
Common Parts.....	4 - 7
Front Axle Assembly	8
Rear Axle Assembly	9
Transmission Assembly	10 - 11
Blade Shaft Assembly, 13HP Honda (GX390).....	12
Blade Shaft Assembly, 20HP Honda (GX630) / 16HP Briggs-Vanguard.....	13
Blade Shaft Assembly, 23HP Briggs-Vanguard.....	14
Blade Shaft Assembly (For use with 24” Blade Guard)	15
Pointer Assemblies	16-17
Weight Bar Option.....	18
Battery Assembly.....	19
Engine Assembly, 13.5HP Briggs	20
Engine Assembly, 13HP Honda (GX390).....	21
Engine Assembly, 13HP Honda w/ Electric Start.....	22
Engine Assembly, 16HP Briggs-Vanguard	23
Muffler Assembly, 16HP Briggs-Vanguard	24
Engine Assembly, 20HP Honda w/ Electric Start (& Wiring Diagram).....	25 – 27
Muffler Assembly, 20HP Honda, High Mount Left	28
Engine Assembly, 23HP Briggs-Vanguard (& Wiring Diagram)	29 -31
Engine Assembly, 20HP Honda w/ Electric Start (Use with 24” Blade Guard)...	32 – 33
Fuel System.....	34
Tachometer / Hour Meter.....	35
Blade Guard 14”	36
Blade Guard 20”	37
Blade Guard 24”	38
Water Tank Option	39
Water Pump Option	40
Brake Option.....	41
Decals.....	42
Warranty.....	Rear Cover

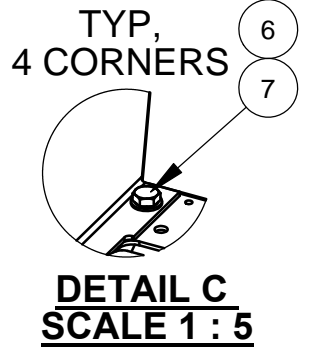
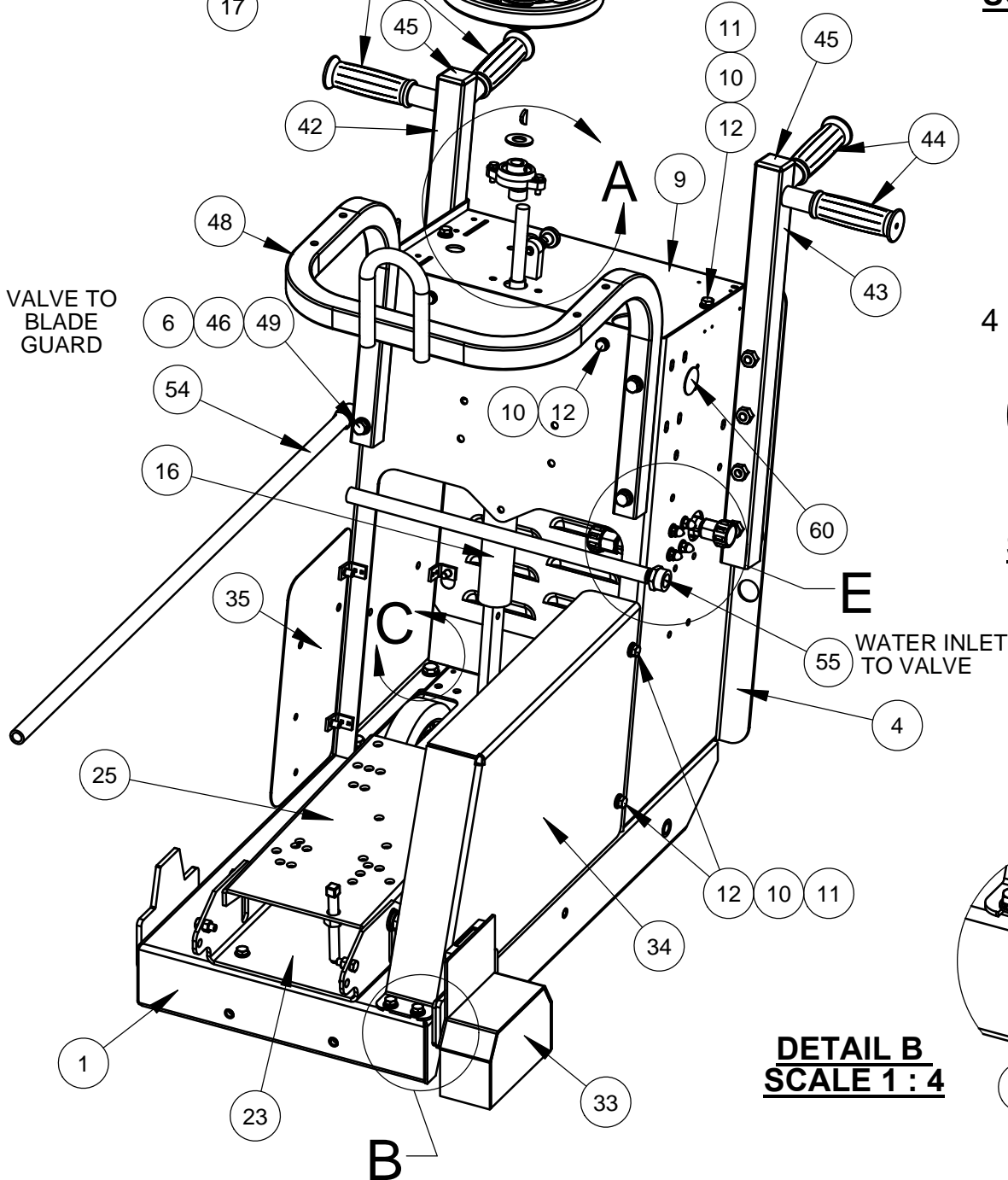
6048960: CC1800 XL, COMMON PARTS



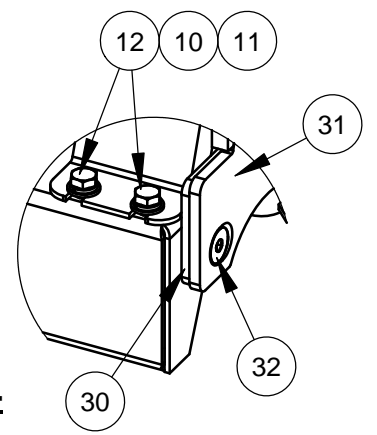
DETAIL A
SCALE 1 : 4



DETAIL E
SCALE 1 : 4



DETAIL C
SCALE 1 : 5

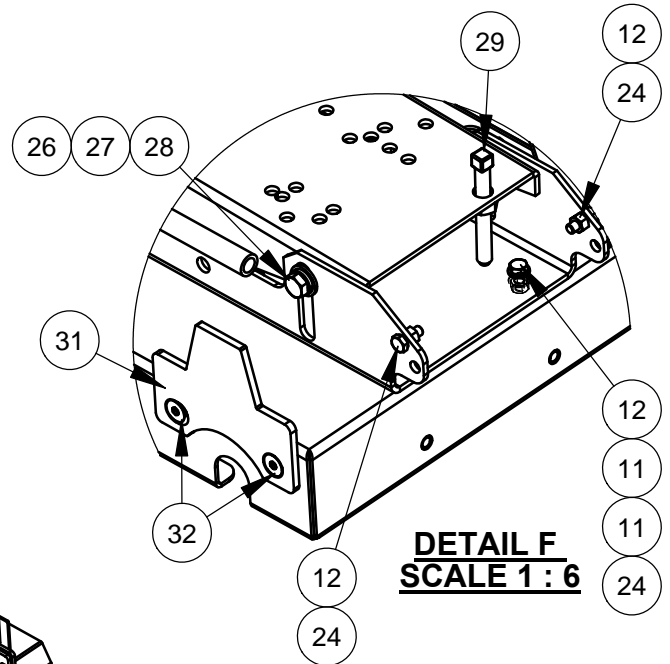
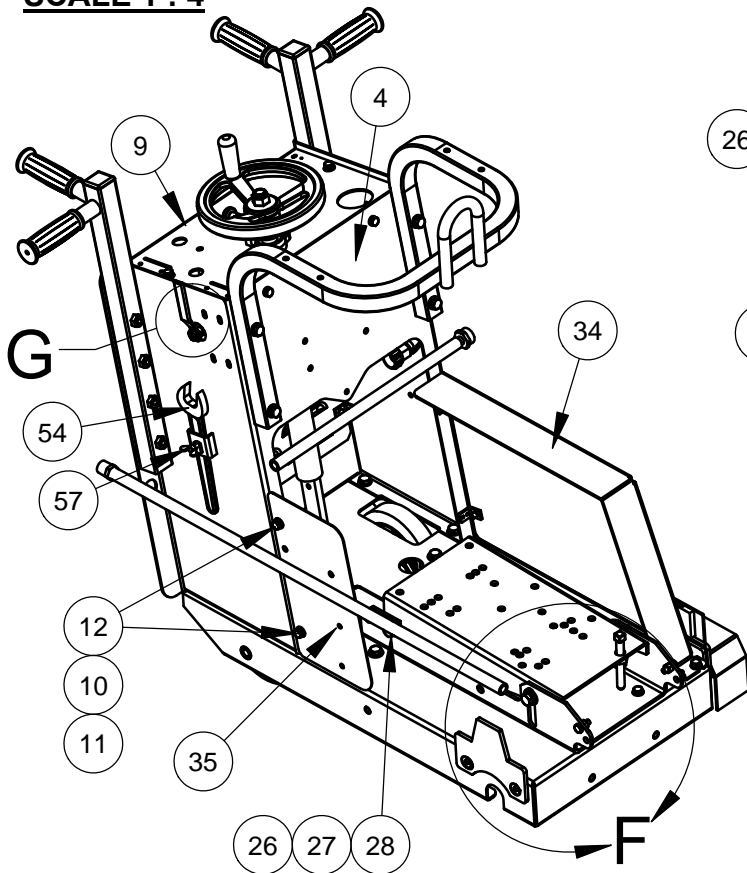
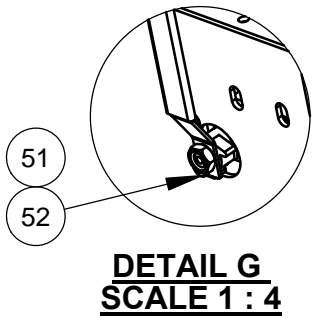
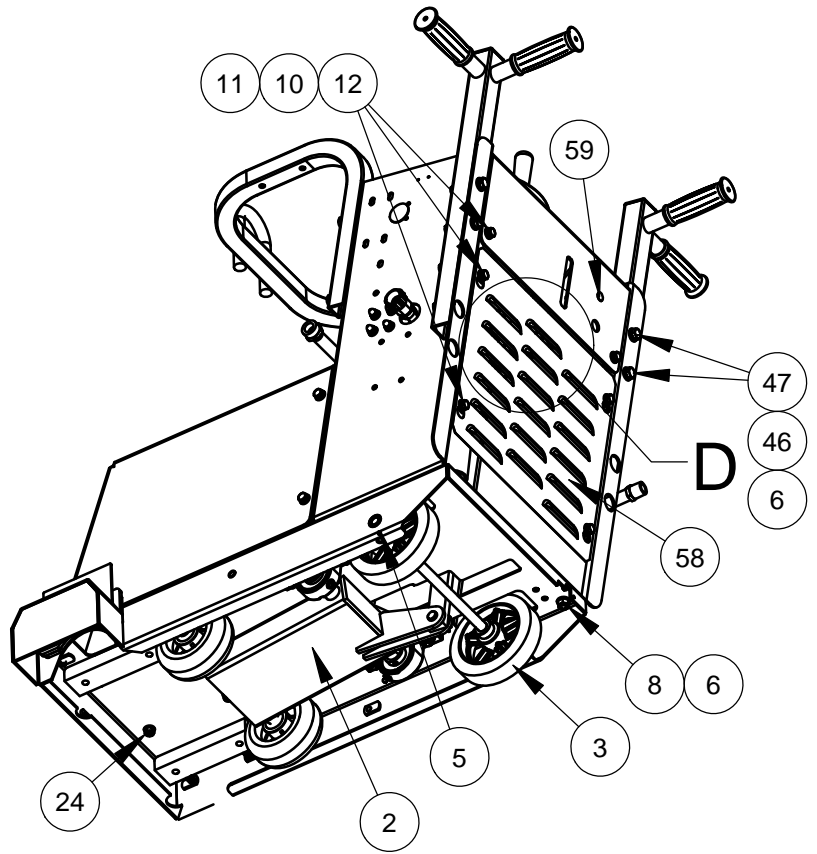
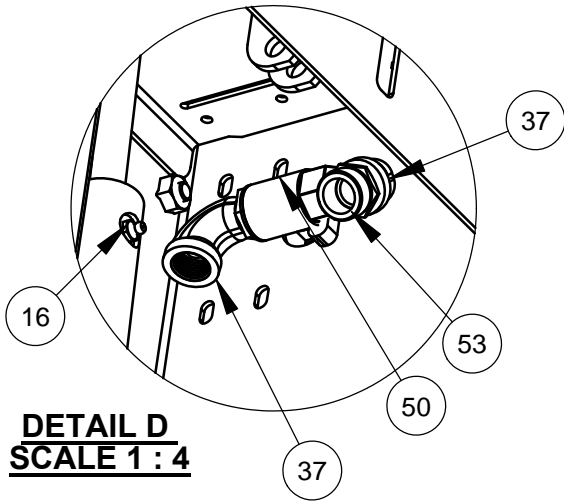


DETAIL B
SCALE 1 : 4

6048960: CC1800 XL, COMMON PARTS

ITEM NO.	PART NUMBER	QTY.	DESCRIPTION
1	6048859	1	Frame Weldment, CC1800
2	6048956	1	Axle Assembly
3	6048104	1	Axle Assembly
4	6048331	1	Frame Upright Weldment
5	2900056	2	Set Screw, Soc. Hd., 1/4-20 x 1/4"
6	2900014	16	Flat Washer, 3/8" SAE
7	2900314	4	Cap Screw, Hex Hd., M10-1.5 x 20mm
8	2900304	4	Lock Nut, M10-1.5 Nylon Insert
9	6049044	1	Control Panel Weldment
10	2900031	16	Lock Washer, 5/16" Split
11	2900022	26	Flat Washer, 5/16" SAE
12	2900329	24	Cap Screw, Hex Hd., M8-1.25 x 20mm
13	2500807	1	Bearing, 5/8", Two Bolt Flange
14	2900009	6	Flat Washer, 1/4" SAE
15	2900310	2	Cap Screw, Hex Hd., M6-1.0 x 20mm
16	6047928	1	Adjustment Shaft W/Grease Fitting
17	6047929	1	Adjustment Screw
18	6047931	1	Spacer Tube 7/8 x 1/2
19	2900352	1	Woodruff Key, 5/32 x 3/4, #506
20	2500800	1	Handwheel, 8"
21	2400138	1	Indexing Plunger 1/2-13
22	2900355	1	Lock Nut, 5/8-18, Flex Top
23	6048060	1	Engine Base Mount
24	2900303	8	Lock Nut, M8-1.25 Nylon Insert
25	6048059	1	Engine Base Weldment
26	2900058	4	Flat Washer, 1/2" SAE
27	2900084	4	Lock Washer, 1/2" Split
28	2900330	4	Cap Screw, Hex Hd., M12-1.75 x 30mm
29	2900332	1	Setscrew, Sq. Hd., M12 x 100mm
30	6048915	1	Tapered Guard Mount Spacer
31	6048908	2	Tapered Guard Mount
32	2900744	4	Capscrew, Flat Hd., M10 x 25mm
33	6048906	1	Shaft Guard
34	6048329	1	Belt Guard
35	6048328	1	Slurry Shield
36	3201737	1	1/2" NPT x 3", Nipple
37	3200013	4	Street Elbow, 1/2" NPT
38	3200022	2	Fitting, 1/2" F. Pipe to 3/4" F. Garden
39	2900241	2	U-Bolt, 3/4" Pipe
40	2900125	4	Hex Nut, 1/4-20
41	2900827	4	Acorn Nut, High Crown, 1/4-20
42	6048601	1	Handlebar
43	6048602	1	Handlebar
44	2500636	4	Handle Grip
45	2503925	2	Cap, 1-1/2" Sq. Tube
46	2900321	8	Lock Washer, M10 Split
47	2901348	4	Cap Screw, Hex Hd., M10 x 55mm
48	6048632	1	Lift Bar Assembly
49	2900318	4	Cap Screw, Hex Hd., M10-1.5 x 50mm
50	3200026	1	Water Valve, 1/2" FPT
51	2900038	2	Lock Washer, #10 Split
52	2900021	2	Machine Screw, Pan Hd., #10-24 x 3/8"
53	3200155	1	Fitting, 1/2" M. Pipe to 3/4" M. Garden
54	2500256	1	Wrench Head
55	6048919	1	Hose Assy., 1/2 x 35.6", Water
56	6048918	1	Hose Assy., 1/2 x 18-1/2", Water
57	2900307	1	Wing Screw, M6 x 16mm
58	6048063	1	Rear Cover Screen
59	2500204	1	Plug, 1/2" Hole
60	2501146	1	Plug, 1-1/4" Hole
61	2900002	1	Flat Washer, 5/8" SAE

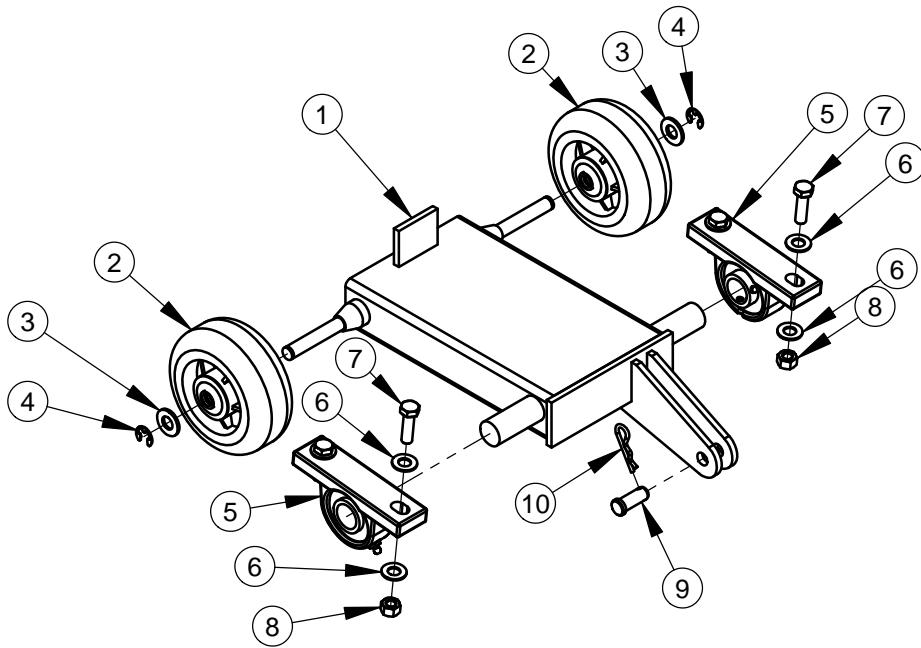
6048960: CC1800 XL, COMMON PARTS



6048960: CC1800 XL, COMMON PARTS

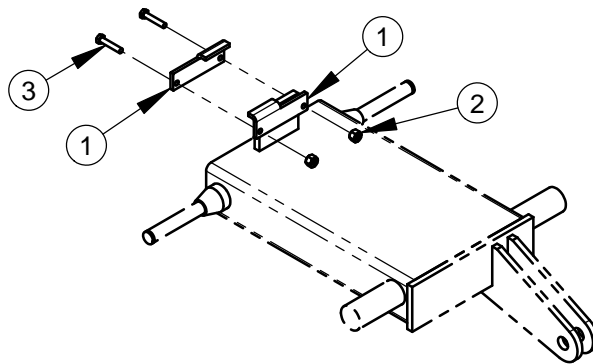
ITEM NO.	PART NUMBER	QTY.	DESCRIPTION
1	6048859	1	Frame Weldment, CC1800
2	6048956	1	Axle Assembly
3	6048104	1	Axle Assembly
4	6048331	1	Frame Upright Weldment
5	2900056	2	Set Screw, Soc. Hd., 1/4-20 x 1/4"
6	2900014	16	Flat Washer, 3/8" SAE
7	2900314	4	Cap Screw, Hex Hd., M10-1.5 x 20mm
8	2900304	4	Lock Nut, M10-1.5 Nylon Insert
9	6049044	1	Control Panel Weldment
10	2900031	16	Lock Washer, 5/16" Split
11	2900022	26	Flat Washer, 5/16" SAE
12	2900329	24	Cap Screw, Hex Hd., M8-1.25 x 20mm
13	2500807	1	Bearing, 5/8", Two Bolt Flange
14	2900009	6	Flat Washer, 1/4" SAE
15	2900310	2	Cap Screw, Hex Hd., M6-1.0 x 20mm
16	6047928	1	Adjustment Shaft W/Grease Fitting
17	6047929	1	Adjustment Screw
18	6047931	1	Spacer Tube 7/8 x 1/2
19	2900352	1	Woodruff Key, 5/32 x 3/4, #506
20	2500800	1	Handwheel, 8"
21	2400138	1	Indexing Plunger 1/2-13
22	2900355	1	Lock Nut, 5/8-18, Flex Top
23	6048060	1	Engine Base Mount
24	2900303	8	Lock Nut, M8-1.25 Nylon Insert
25	6048059	1	Engine Base Weldment
26	2900058	4	Flat Washer, 1/2" SAE
27	2900084	4	Lock Washer, 1/2" Split
28	2900330	4	Cap Screw, Hex Hd., M12-1.75 x 30mm
29	2900332	1	Setscrew, Sq. Hd., M12 x 100mm
30	6048915	1	Tapered Guard Mount Spacer
31	6048908	2	Tapered Guard Mount
32	2900744	4	Capscrew, Flat Hd., M10 x 25mm
33	6048906	1	Shaft Guard
34	6048329	1	Belt Guard
35	6048328	1	Slurry Shield
36	3201737	1	1/2" NPT x 3", Nipple
37	3200013	4	Street Elbow, 1/2" NPT
38	3200022	2	Fitting, 1/2" F. Pipe to 3/4" F. Garden
39	2900241	2	U-Bolt, 3/4" Pipe
40	2900125	4	Hex Nut, 1/4-20
41	2900827	4	Acorn Nut, High Crown, 1/4-20
42	6048601	1	Handlebar
43	6048602	1	Handlebar
44	2500636	4	Handle Grip
45	2503925	2	Cap, 1-1/2" Sq. Tube
46	2900321	8	Lock Washer, M10 Split
47	2901348	4	Cap Screw, Hex Hd., M10 x 55mm
48	6048632	1	Lift Bar Assembly
49	2900318	4	Cap Screw, Hex Hd., M10-1.5 x 50mm
50	3200026	1	Water Valve, 1/2" FPT
51	2900038	2	Lock Washer, #10 Split
52	2900021	2	Machine Screw, Pan Hd., #10-24 x 3/8"
53	3200155	1	Fitting, 1/2" M. Pipe to 3/4" M. Garden
54	2500256	1	Wrench Head
55	6048919	1	Hose Assy., 1/2 x 35.6", Water
56	6048918	1	Hose Assy., 1/2 x 18-1/2", Water
57	2900307	1	Wing Screw, M6 x 16mm
58	6048063	1	Rear Cover Screen
59	2500204	1	Plug, 1/2" Hole
60	2501146	1	Plug, 1-1/4" Hole
61	2900002	1	Flat Washer, 5/8" SAE

Front Axle Assembly 6048956



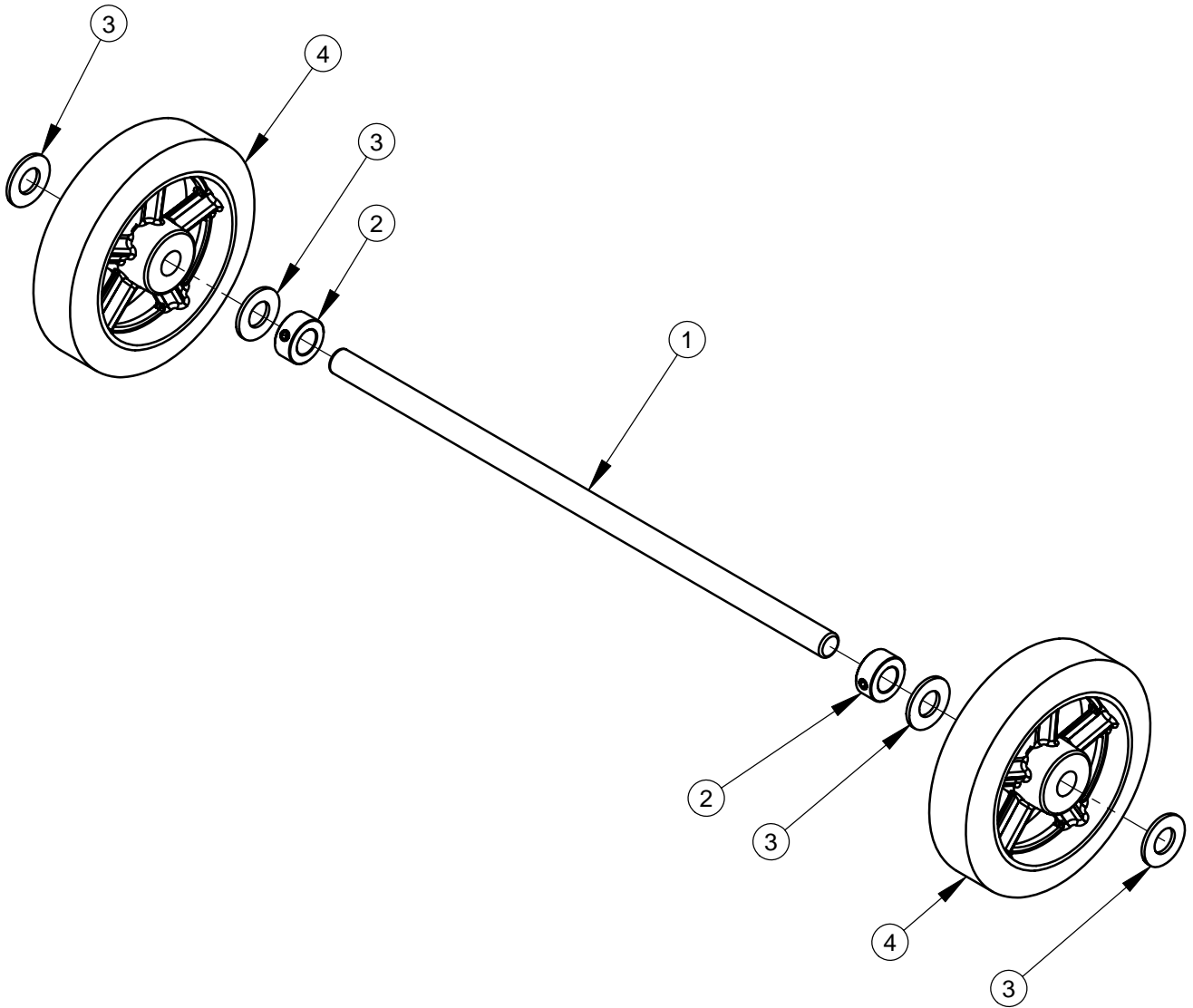
ITEM	PART NO.	QTY.	DESCRIPTION
1	6048635	1	Axle Weldment
2	2502194	2	Wheel
3	2900058	2	Flat Washer, 1/2" SAE
4	2503700	2	Retaining Ring, 1/2" External E-Type
5	2500013	2	Bearing, 1" Pillowblock
6	2900956	8	Flat Washer, 7/16" SAE
7	2900315	4	Cap Screw, Hex Hd., M10-1.5 x 35mm
8	2900304	4	Lock Nut, M10-1.5 Nylon Insert
9	2900266	1	Clevis Pin, 1/2 x 1-1/4"
10	2900276	1	Hairpin Cotter, 1/8" x 1/2" to 3/4"

Axle Stop Kit #6049027 FOR 24" BLADE ONLY



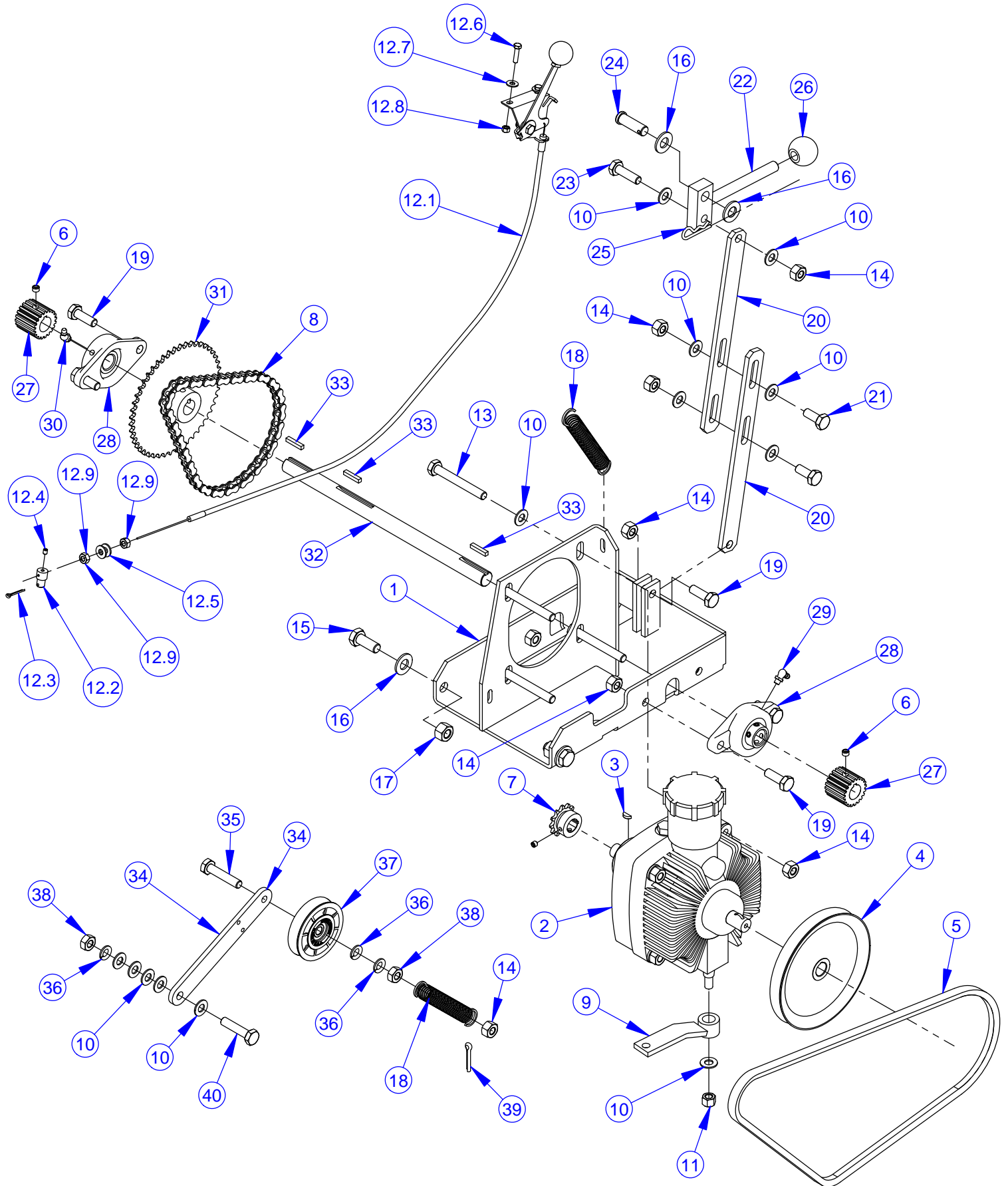
ITEM	PART NO.	QTY.	DESCRIPTION
1	6011546	2	Plate, Axle Stop
2	2900017	2	Lock Nut, #10-24 Nylon
3	2900054	2	Machine Screw, Hex Hd., #10-24 x 1"

Rear Axle Assembly 6048104



ITEM	PART NO.	QTY.	DESCRIPTION
1	6048105	1	Rear Axle
2	2500008	2	Set Collar, 5/8" with Set Screw
3	2900002	4	Flat Washer, 5/8" SAE
4	2500003	2	Wheel 6" x 1-1/2" x 5/8"

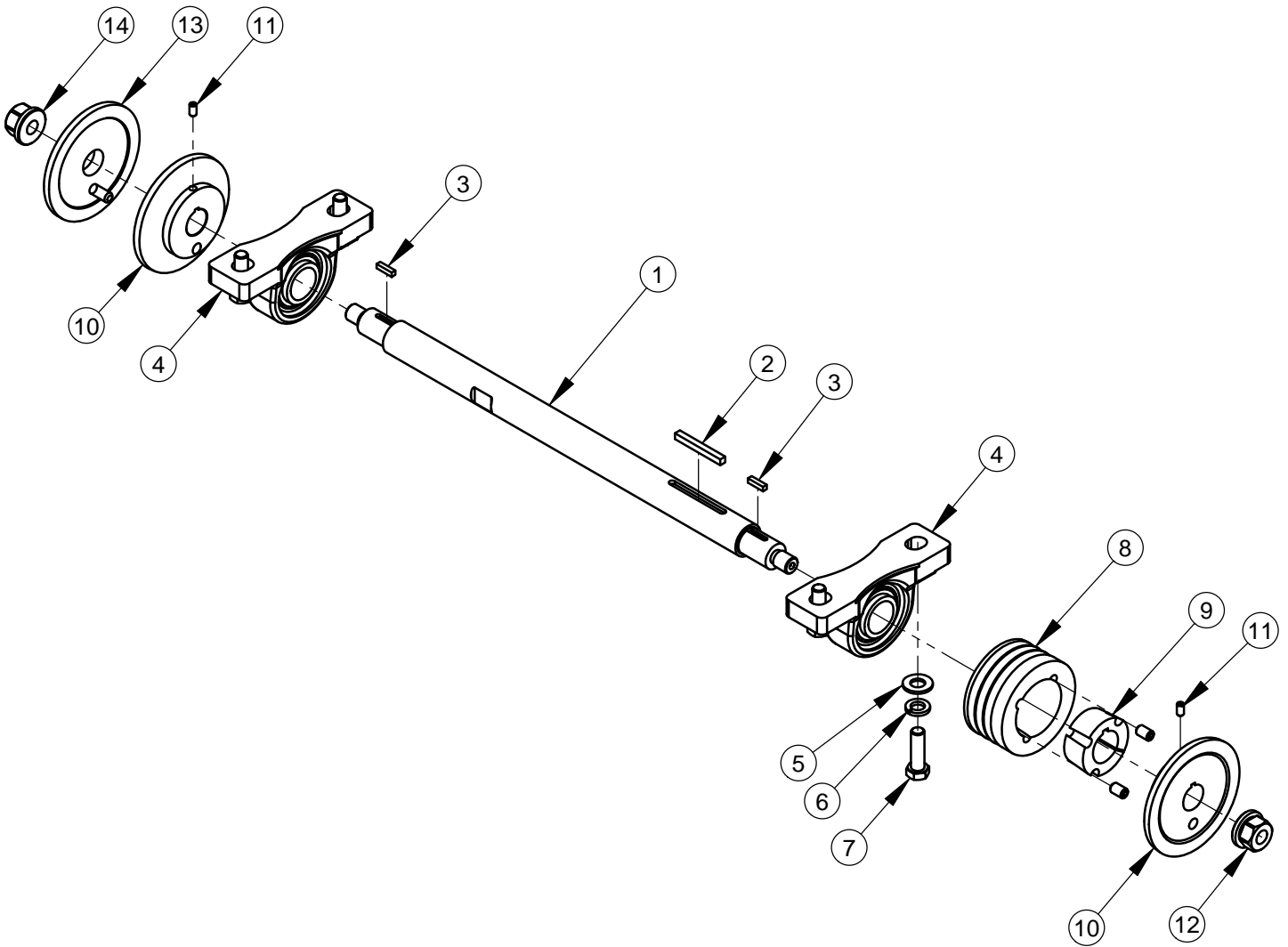
Transmission Assembly #6048108



Transmission Assembly #6048108

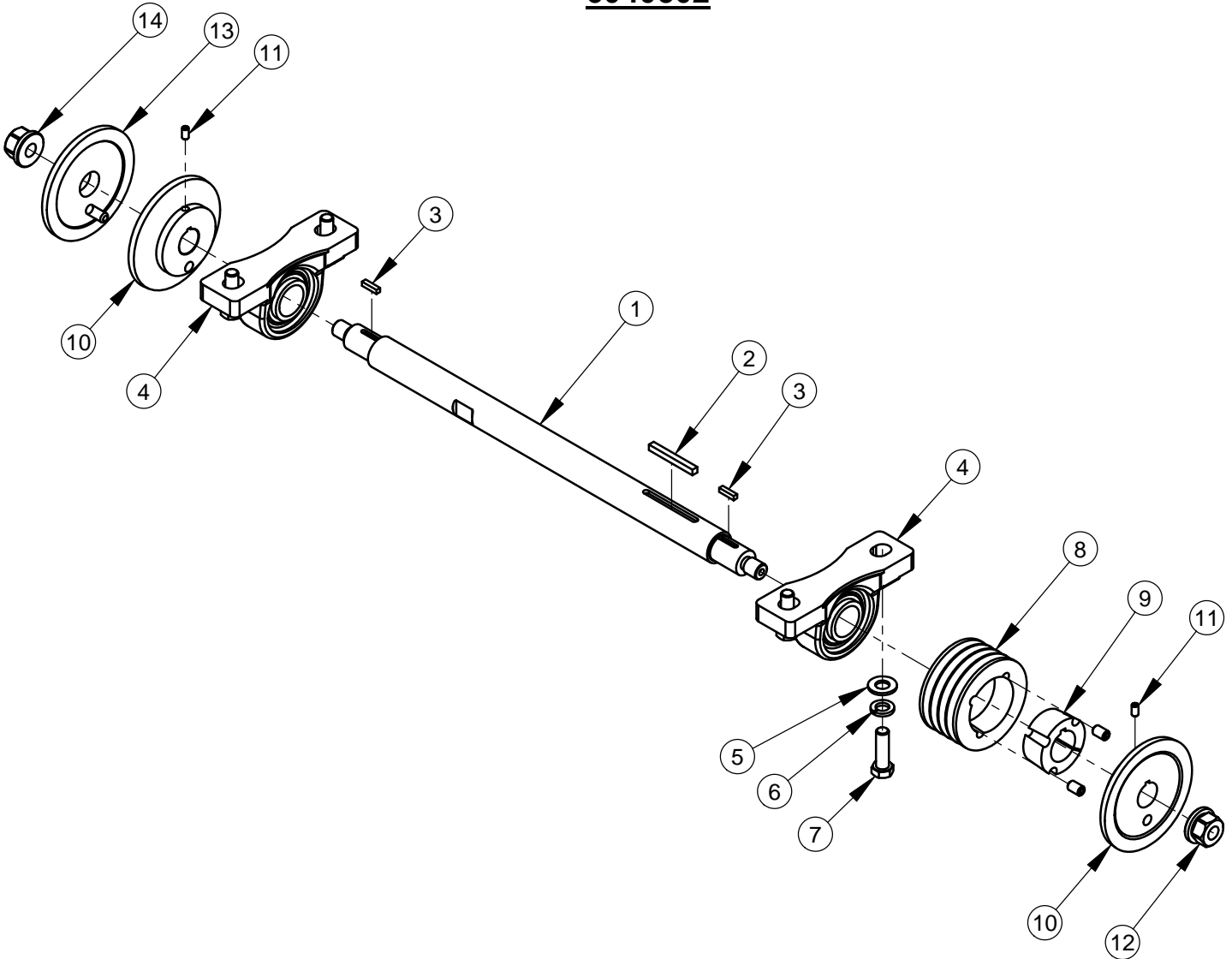
ITEM	PART NO.	QTY.	DESCRIPTION
1	6048066	1	Transmission Platform Weldment
2	2600015	1	Eaton 6 Transmission
3	2900068	2	Woodruff Key #404, 1/8" W x 1/2" Dia.
4	2500016	1	Pulley, 6"
5	2500632 2500635 2500033	1	V-Belt, 4L-410 (16BV, 20BV, 20H) V-Belt, 4L-420 (7.5E, 10E) V-Belt, 4L-430 (13BV, 13H)
6	2900036	2	Set Screw, Soc. Hd., 5/16-18 x 1/4"
7	2500017	1	Sprocket, 12 Teeth W/ 1/4 Setscrew
8	6048232	1	Chain, #35 x 63 Pitch
9	6048211	1	Shift Lever
10	2900014	16	Flat Washer, 3/8" SAE
11	2900018	1	Locknut, 3/8-16, Nylon
12	6048106	1	Transmission Speed Control Assembly
12.1	2500076	1	Transmission Speed Control Lever w/ Cable
12.2	6048212	1	Pivot Pin
12.3	2900034	1	Cotter Pin, 3/32" x 3/4"
12.4	2900059	1	Set Screw, Soc. Hd., #10-32 x 1/4"
12.5	2900009	2	Flat Washer, 1/4" SAE
12.6	2900309	2	Cap Screw, Hex Hd., M5-0.8 x 20mm
12.7	2900016	2	Flat Washer, #10 USS
12.8	2900301	2	Lock Nut, M5-0.8 Nylon Insert
12.9	2900186	2	Hex Nut, 1/4-28
13	2900319	4	Cap Screw, Hex Hd., M10-1.5 x 80mm
14	2900304	13	Lock Nut, M10-1.5 Nylon Insert
15	2900330	2	Cap Screw, Hex Hd., M12-1.75 x 30mm
16	2900058	4	Flat Washer, 1/2" SAE
17	2900327	2	Lock Nut, M12-1.75 Nylon Insert
18	2500070	2	Spring, Extension, 3/4 Dia x 4
19	2900223	5	Cap Screw, Hex Hd., M10-1.5 x 30mm
20	6049075	2	Linkage
21	2900333	2	Cap Screw, Hex Hd., M10-1.5 x 25mm
22	6048057	1	Engagement Lever
23	2900315	1	Cap Screw, Hex Hd., M10-1.5 x 35mm
24	2900277	1	Clevis Pin, 1/2" x 1-1/2"
25	2900276	1	Hairpin Cotter
26	2400007	1	Knob, 1/2-20 x 1-3/8" Dia.
27	6048235	2	Wheel Drive
28	2500011	2	Flange Mt. Bearing 3/4"
29	2900061	1	Grease Fitting, 1/4-28 x 90 Degree
30	2900184	1	Grease Fitting, 1/4-28 x 45 degree
31	2500018	1	Sprocket, 48 Teeth w/ Setscrews
32	6048228	1	Drive Shaft
33	6010170	3	Key, 3/16" Sq. x 1"
34	6048085	1	Idler Arm
35	2900337	1	Cap Screw, Hex Hd., M10-1.5 x 50mm, Full Thd.
36	2900321	3	Lock Washer, M10 Split
37	2500074	1	Idler Pulley 3"
38	2900325	2	Hex Nut, M10-1.5
39	2900055	1	Cotter Pin, 3/16" x 1"
40	2900317	1	Cap Screw, Hex Hd., M10-1.5 x 45mm

**Blade Shaft Assembly
Honda (GX390) Saws
6040501**



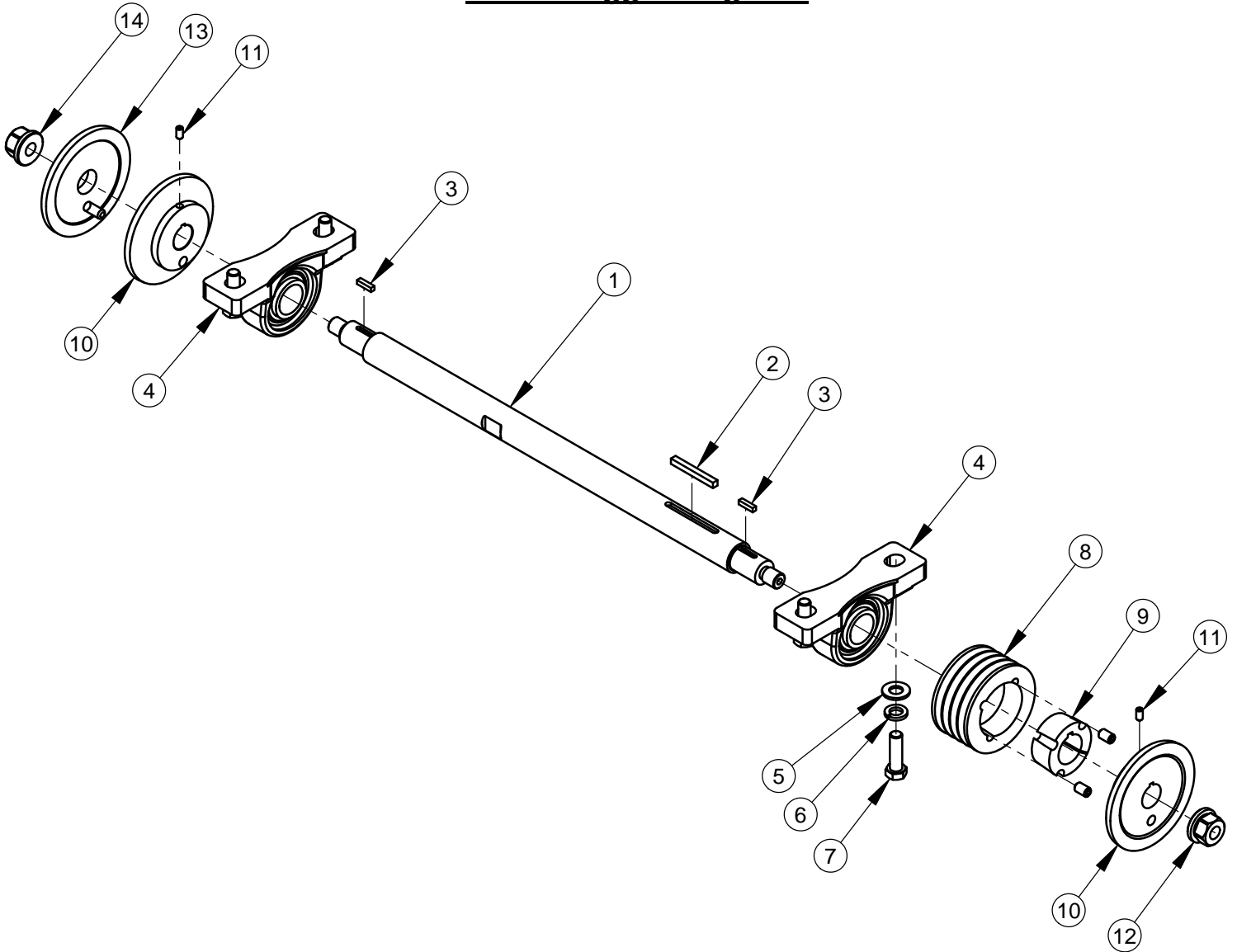
ITEM	PART NO.	QTY.	DESCRIPTION
1	6048866	1	Blade Shaft
2	6048134	1	Key, 1/4" Sq. x 2-1/4"
3	6048018	2	Key, 3/16" Sq. x 3/4"
4	2500365	2	Pillow Block Bearing, 1-1/4"
5	2900058	4	Flat Washer, 1/2" SAE
6	2900084	4	Lock Washer, 1/2" Split
7	2900331	4	Cap Screw, Hex Hd., M12-1.75 x 40mm
8	2500025	1	Sheave, 3.65-3 Groove
9	2500337	1	Taper Bushing, 1-1/4"
10	6048008	2	Inner Flange 4-1/2"
11	2900076	2	Set Screw, Soc. Hd., 1/4-20 x 1/2"
12	2900065	1	Flange Nut, 5/8-11 R.H.
13	6048009	1	Outer Flange, 4-1/2" w/ Pin
14	2900066	1	Flange Nut, 5/8-11, L. Hand

Blade Shaft Assembly
Honda (GX630), 16 HP Briggs Vanguard,
6040502



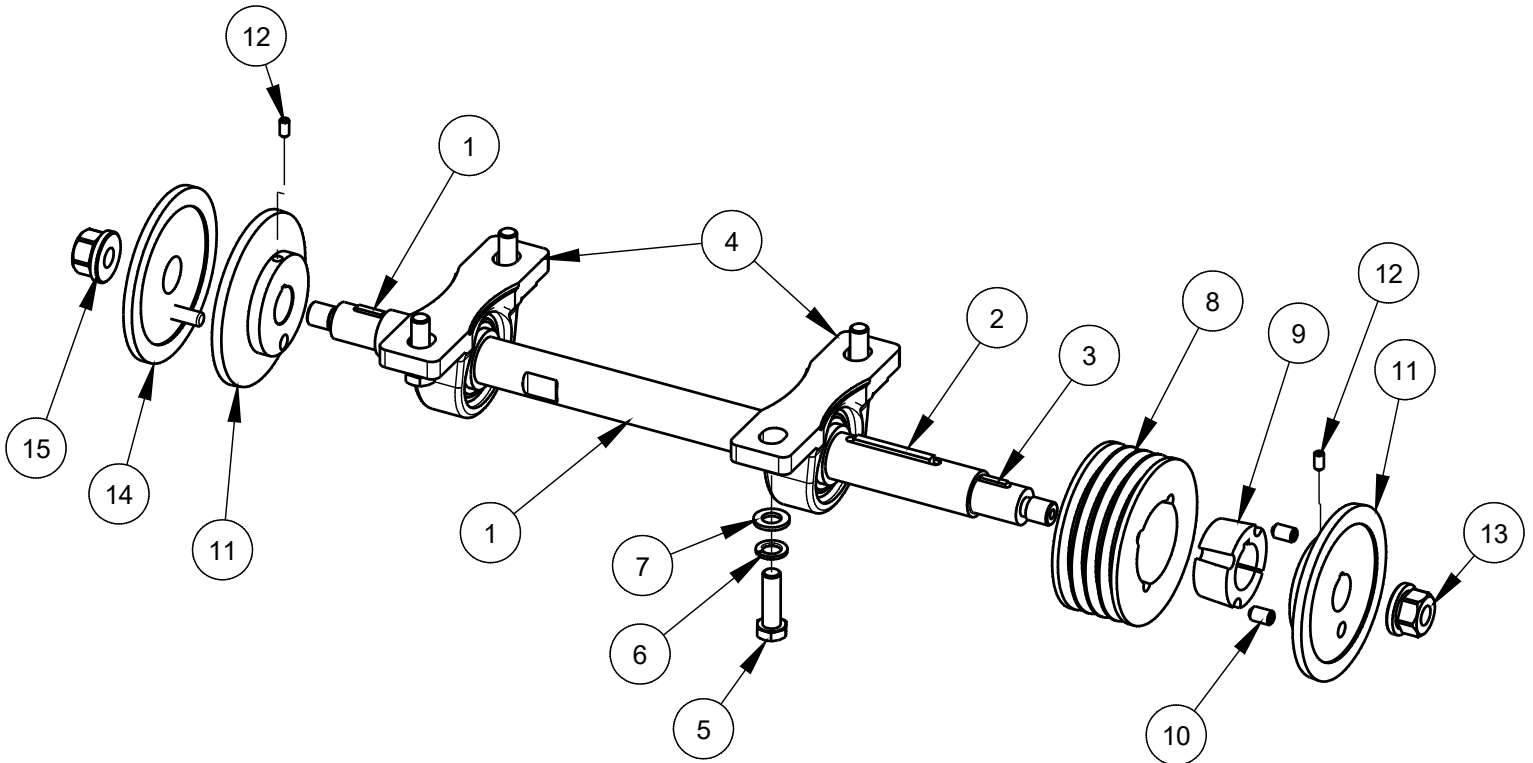
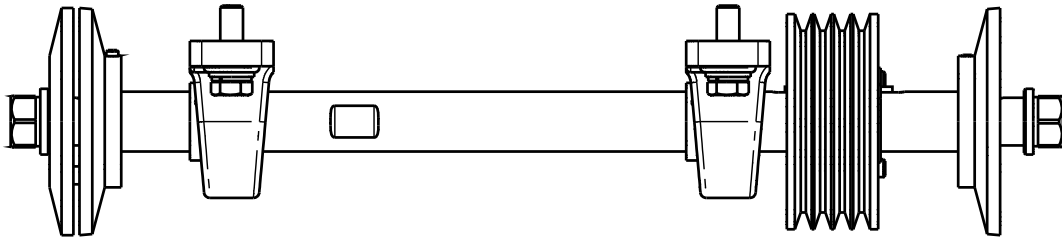
ITEM	PART NO.	QTY.	DESCRIPTION
1	6048866	1	Blade Shaft
2	6048134	1	Key, 1/4" Sq. x 2-1/4"
3	6048018	2	Key, 3/16" Sq. x 3/4"
4	2500365	2	Pillow Block Bearing, 1-1/4"
5	2900058	4	Flat Washer, 1/2" SAE
6	2900084	4	Lock Washer, 1/2" Split
7	2900331	4	Cap Screw, Hex Hd., M12-1.75 x 40mm
8	2500621	1	Sheave, 3V-3.65-4 Groove (1610)
9	2500337	1	Taper Bushing, 1-1/4"
10	6048008	2	Inner Flange 4-1/2"
11	2900076	2	Set Screw, Soc. Hd., 1/4-20 x 1/2"
12	2900065	1	Flange Nut, 5/8-11 R.H.
13	6048009	1	Outer Flange, 4-1/2" w/ Pin
14	2900066	1	Flange Nut, 5/8-11, L. Hand

6040503 Blade Shaft Assembly
23 HP Briggs Vanguard



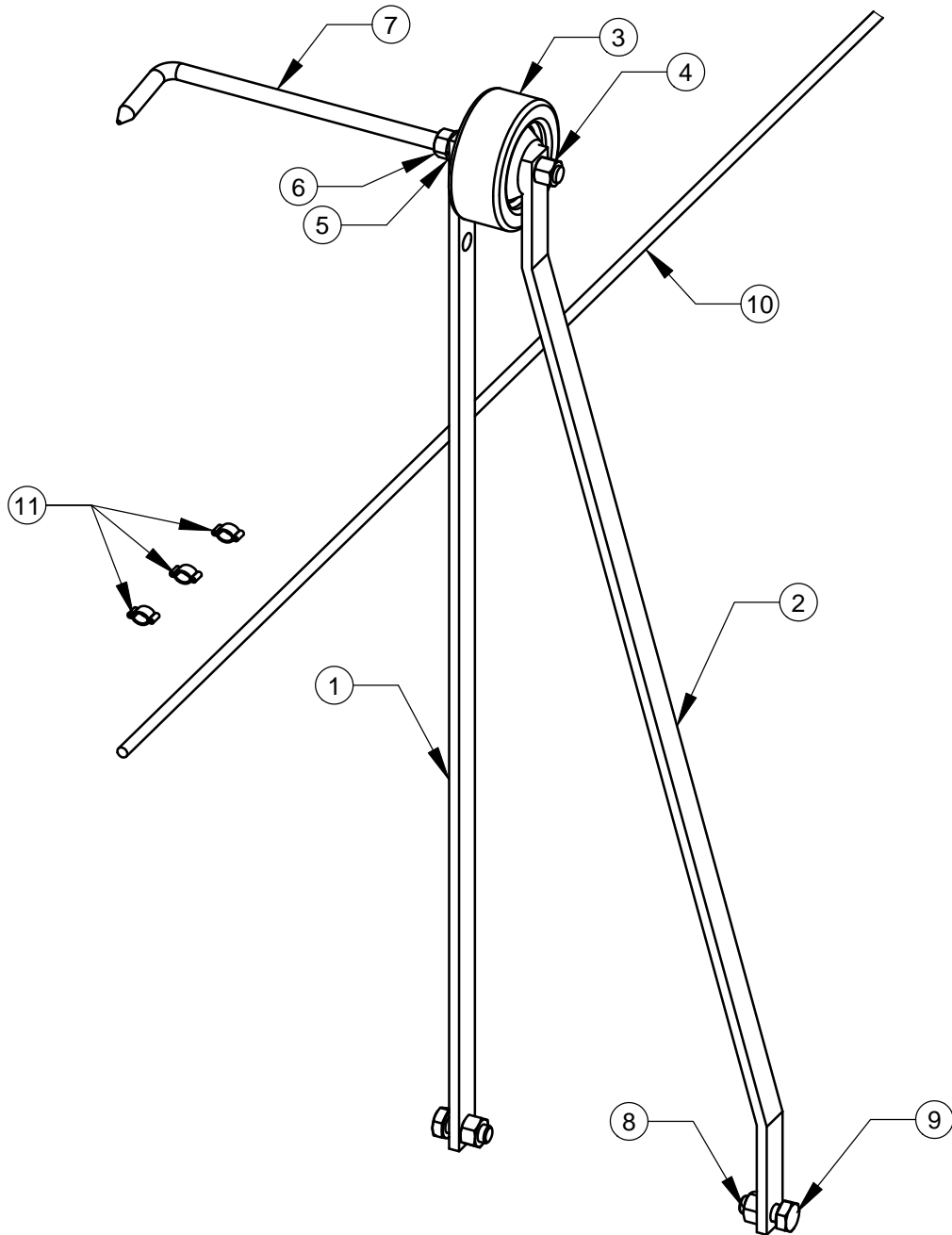
ITEM	PART NO.	QTY.	DESCRIPTION
1	6048865	1	Blade Shaft
2	6048134	1	Key, 1/4" Sq. x 2-1/4"
3	6048018	2	Key, 3/16" Sq. x 3/4"
4	2500365	2	Pillow Block Bearing, 1-1/4"
5	2900058	4	Flat Washer, 1/2" SAE
6	2900084	4	Lock Washer, 1/2" Split
7	2900331	4	Cap Screw, Hex Hd., M12-1.75 x 40mm
8	2500621	1	Sheave, 3V-3.65-4 Groove (1610)
9	2500337	1	Taper Bushing, 1-1/4"
10	6048008	2	Inner Flange 4-1/2"
11	2900076	2	Set Screw, Soc. Hd., 1/4-20 x 1/2"
12	2900065	1	Flange Nut, 5/8-11 R.H.
13	6048009	1	Outer Flange, 4-1/2" w/ Pin
14	2900066	1	Flange Nut, 5/8-11, L. Hand

6040518 BLADE SHAFT ASSEMBLY



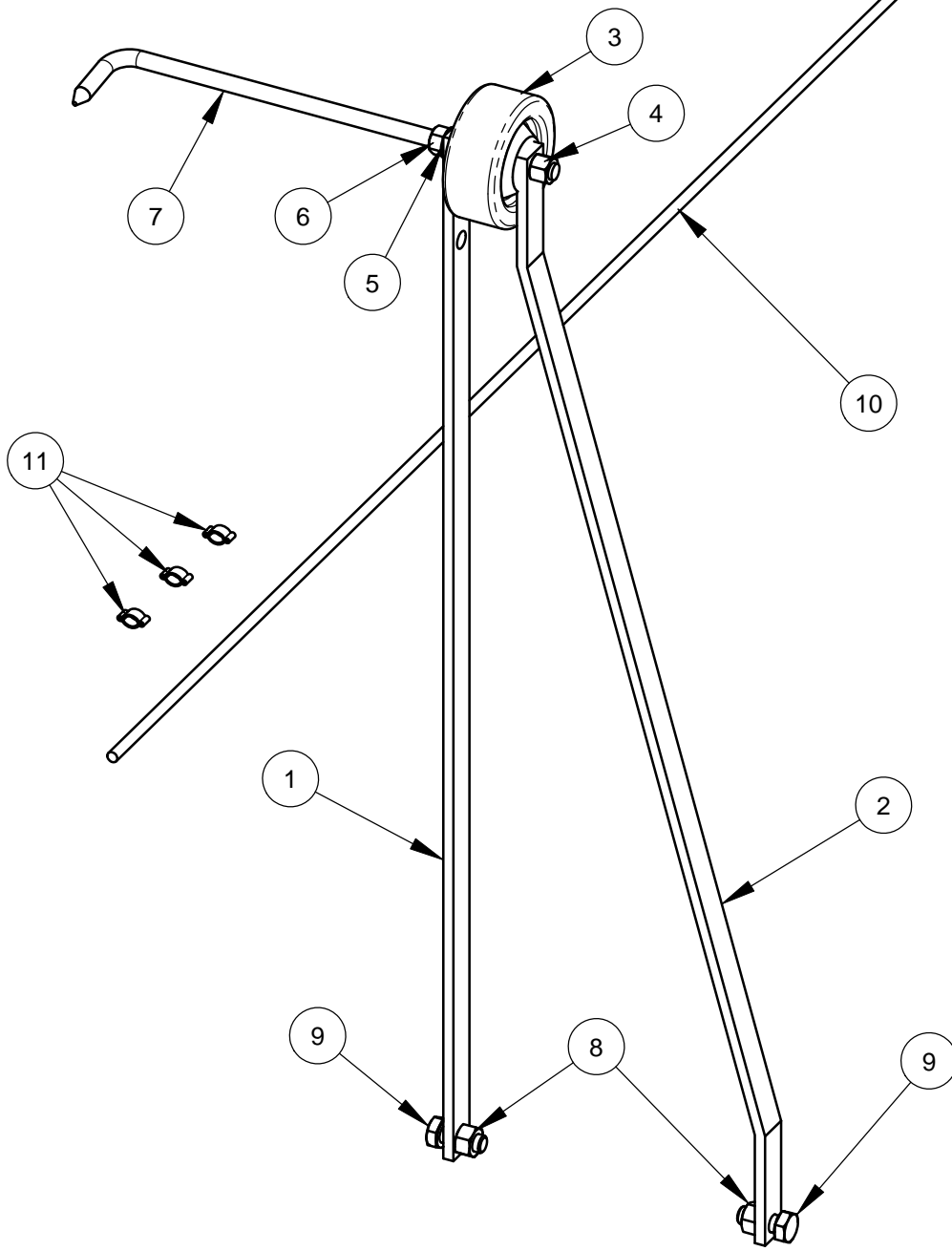
ITEM	PART NO.	QTY.	DESCRIPTION
1	6048866	1	Blade Shaft
2	6048134	1	Key, 1/4" Sq. x 2-1/4"
3	6048018	2	Key, 3/16" Sq. x 3/4"
4	2500365	2	Pillow Block Bearing, 1-1/4"
5	2900331	4	Cap Screw, Hex Hd., M12-1.75 x 40mm
6	2900699	4	Lock Washer, M12 Split
7	2901357	4	Flat Washer, M12
8	2506315	1	Sheave, 3V-4.50-4 Groove
9	2500337	1	Taper Bushing, 1-1/4"
10	2900484	2	Set Screw, Soc. Hd., 3/8-16 x 5/8"
11	6048238	2	Inner Flange, 4-3/4"
12	2900076	2	Set Screw, Soc. Hd., 1/4-20 x 1/2"
13	2900065	1	Flange Nut, 5/8-11 R.H.
14	6048240	1	Outer Flange, 4-3/4", W/Pin
15	2900066	1	Flange Nut, 5/8-11, L. Hand

Pointer Assembly
#6048080



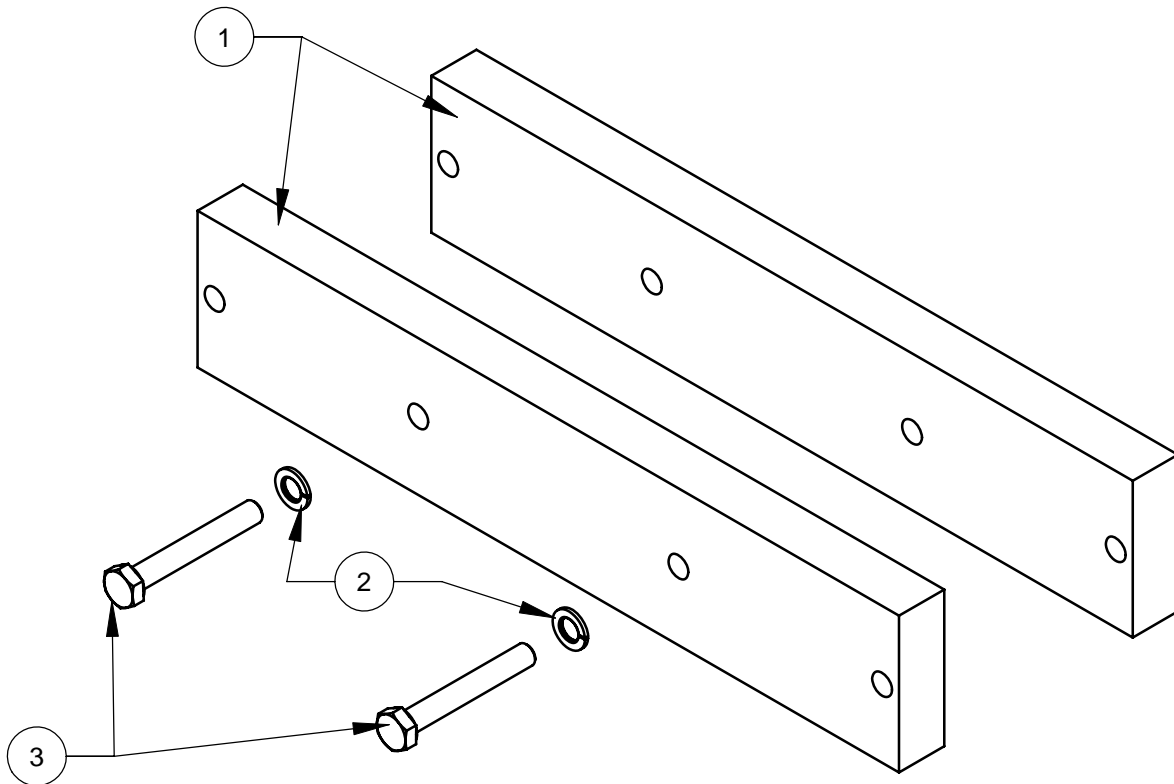
ITEM NO.	PART NUMBER	QTY.	DESCRIPTION
1	6048069	1	Pointer Bar - Straight
2	6048070	1	Pointer Bar - Offset
3	2500624	1	Wheel, 3"
4	2900018	1	Lock Nut, 3/8-16 Nylon
5	2900006	1	Lock Washer, 3/8" Split
6	2900033	1	Hex Nut, 3/8-16
7	2900032	1	Pointer Rod
8	2900304	2	Lock Nut, M10-1.5 Nylon Insert
9	2900333	2	Cap Screw, Hex Hd., M10-1.5 x 25mm
10	6048078	1	Rope, 1/4 x 78"
11	3200221	3	Pinch Clamp, Two Ear

6047994 Front Pointer Assembly
23HP Briggs-Vanguard



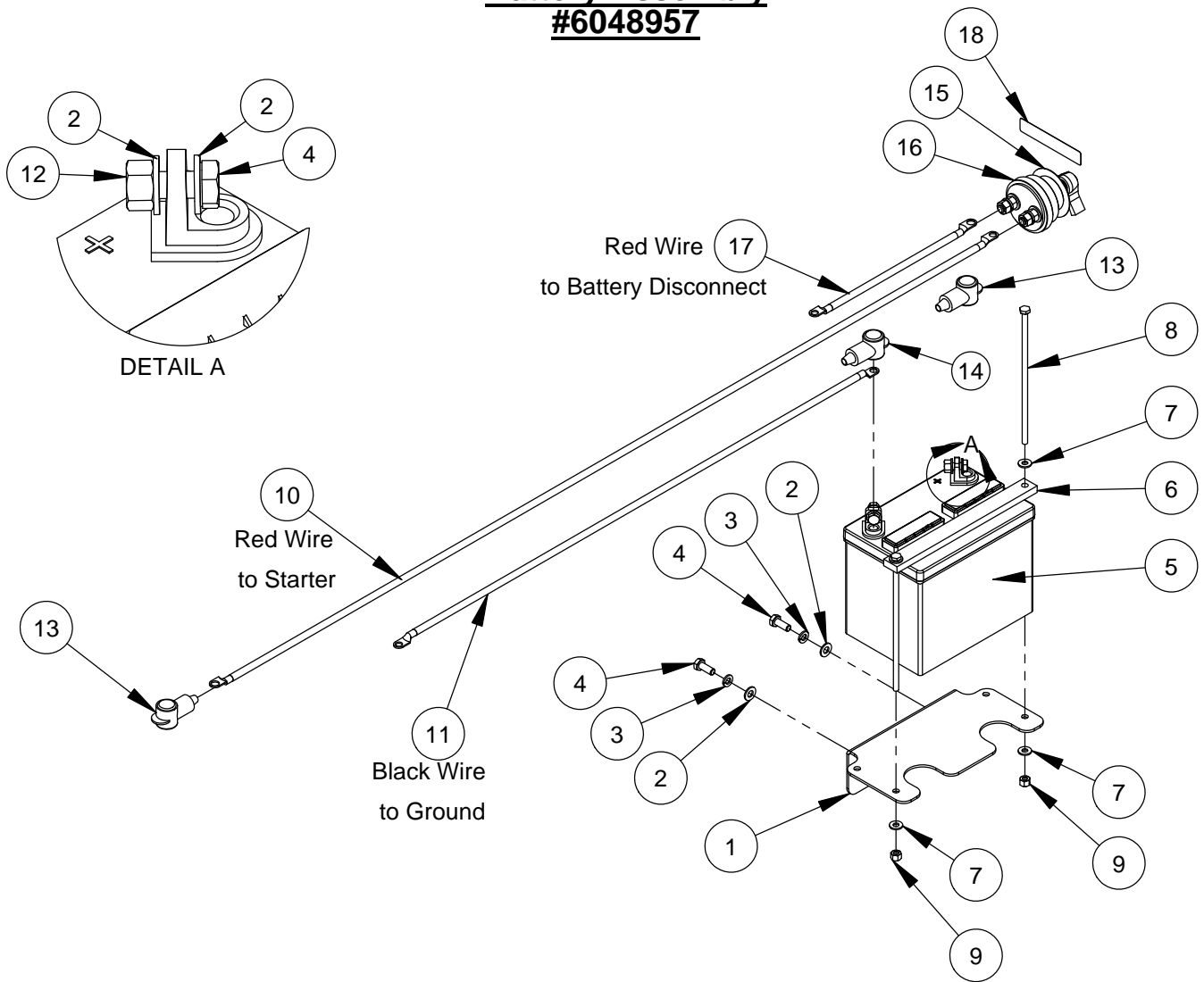
ITEM	PART NO.	QTY.	DESCRIPTION
1	6048069	1	Pointer Bar - Straight
2	6048070	1	Pointer Bar - Offset
3	2500624	1	Wheel, 3"
4	2900018	1	Lock Nut, 3/8-16 Nylon
5	2900321	1	Lock Washer, M10 Split
6	2900033	1	Hex Nut, 3/8-16
7	2900743	1	Pointer Rod, 11"
8	2900304	2	Lock Nut, M10-1.5 Nylon Insert
9	2900333	2	Cap Screw, Hex Hd., M10-1.5 x 25mm
10	6048078	1	Rope, 1/4 x 78"
11	3200221	3	Pinch Clamp, Two Ear

Weight Bar Assembly
#6048959



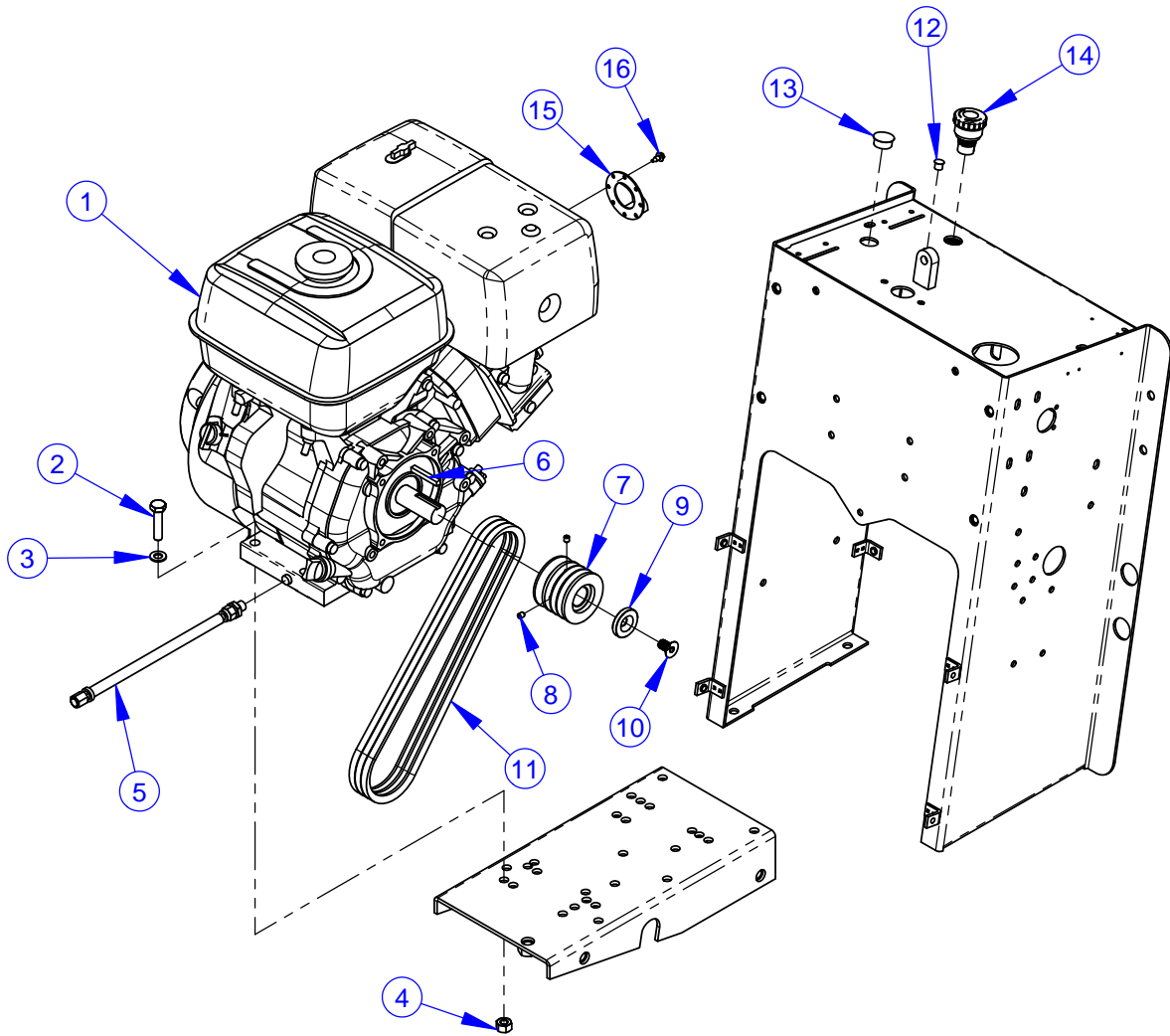
ITEM NO.	PART NUMBER	QTY.	DESCRIPTION
1	6048067	2	Saw Weight, 13 Pound
2	2900321	2	Lock Washer, M10 Split
3	2900334	2	Cap Screw, Hex Hd., M10 x 70mm

Battery Assembly #6048957



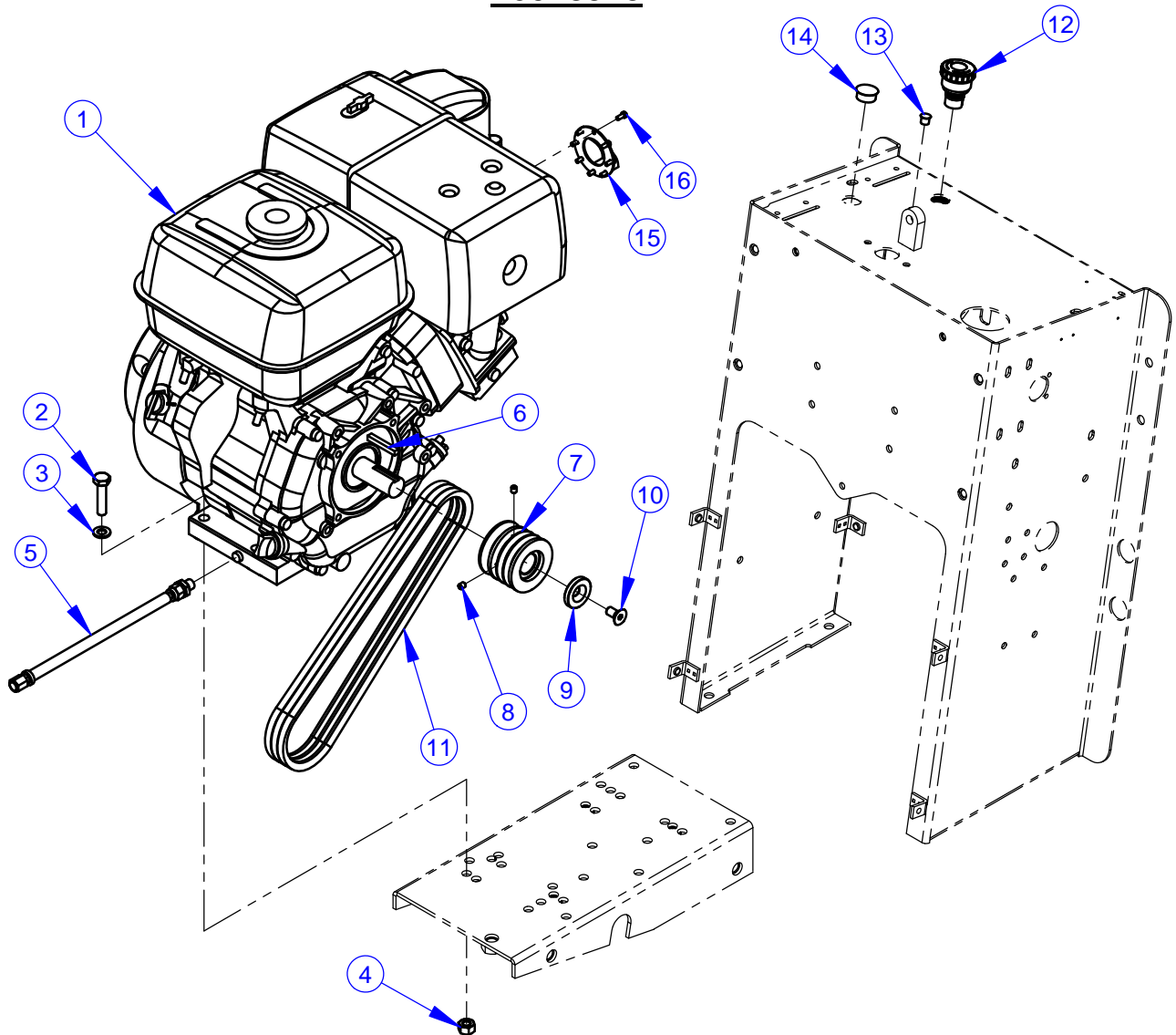
ITEM NO.	PART NO.	QTY.	DESCRIPTION
1	6048327	1	Bracket
2	2900022	6	Flat Washer, 5/16" SAE
3	2900031	2	Lock Washer, 5/16" Split
4	2900329	4	Cap Screw, Hex Hd., M8-1.25 x 20mm
5	2500584	1	Battery, 12 Volt Group Size U1
6	4646122	1	BatterySupport
7	2900009	4	Flat Washer, 1/4" SAE
8	2901405	2	Cap Screw, Hex Hd., 1/4-20 x 7-1/2"
9	2900010	2	Lock Nut, 1/4-20 Nylon
10	6048091	1	Battery Cable Assy., Red
11	6048092	1	Battery Cable Assy., Black
12	2900303	2	Lock Nut, M8-1.25 Nylon Insert
13	2800197	2	Battery Boot, Small (Red)
14	2800198	1	Battery Boot, Small (Black)
15	2800566	1	Face Plate, Battery Disconnect
16	2800565	1	Battery Disconnect Switch
17	2800570	1	Battery Cable Assy., Red
18	1800846	1	Label, Battery Disconnect

CC1813BXL Briggs Engine Assembly
#6042004



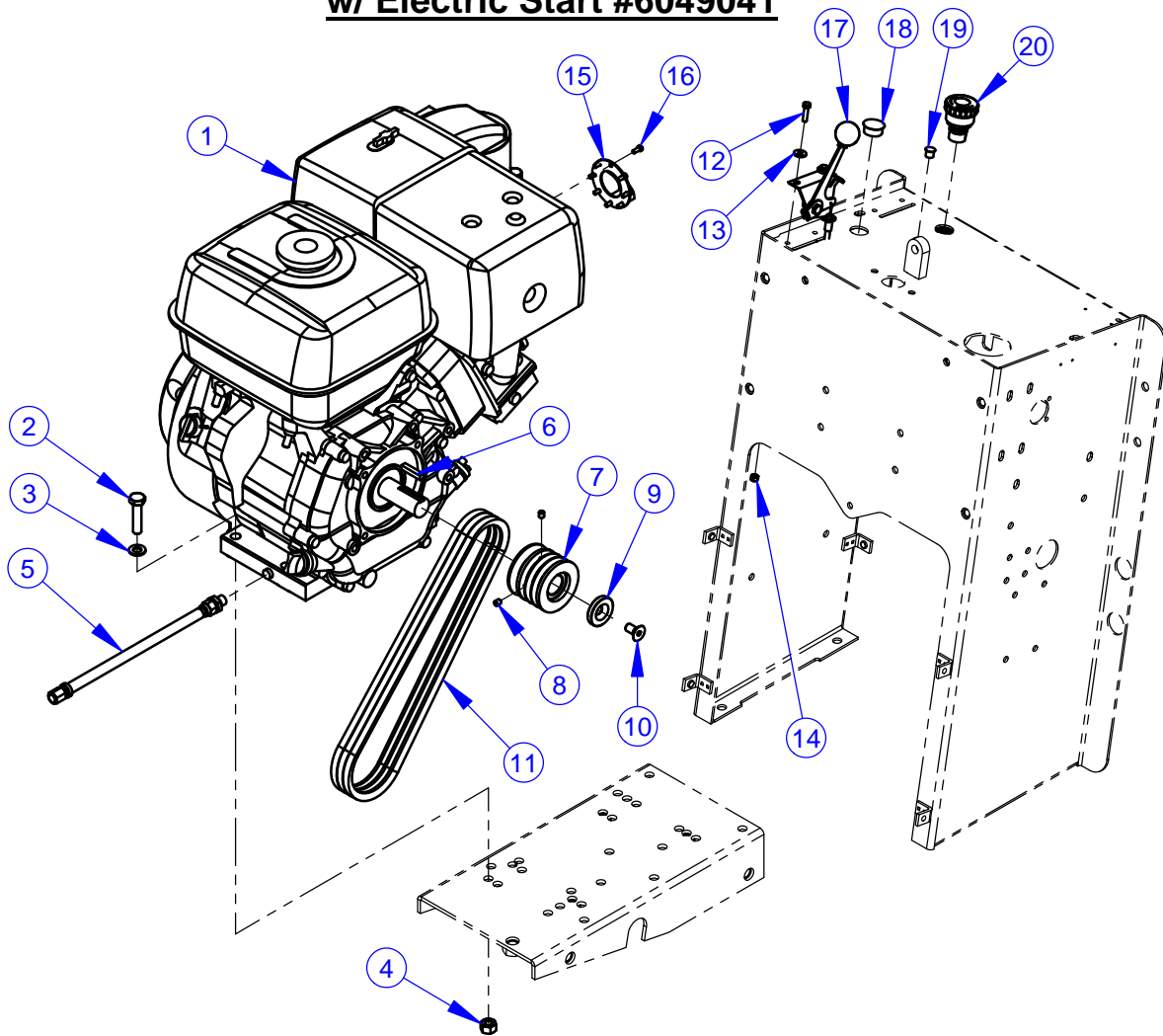
ITEM	PART NO.	QTY.	DESCRIPTION
1	6049081	1	420cc Briggs Engine (short shaft)
2	2900317	4	Cap Screw, Hex Hd., M10-1.5 x 45mm
3	2901356	4	Flat Washer, M10
4	2900304	4	Lock Nut, M10-1.5 Nylon Insert
5	6048042	1	Oil Drain Hose Assembly
6	2400299	1	Key, 1/4 x 1-3/4"
7	6044013	1	Sheave, 2.65 X 1.000 Bore, 3V-3 / 4L-1 Groove
8	2900619	2	Set Screw, Soc. Hd., 1/4-20 x 5/16"
9	6044009	1	Countersunk Washer
10	2902148	1	Cap Screw, Flat Hd., 7/16-20 X 3/4"
11	2500035	3	V-Belt, 3VX335
12	2500462	1	Plug, 3/8" Hole
13	2500549	1	Plug, 7/8" Hole
14	2801367	1	E-Stop Switch
15	2703419	1	Muffler Deflector, 420cc Briggs Engine
16	2703420	3	Screw for Muffler Deflector, 420cc Briggs
17	6048899	1	CC1800 Wire Harness (Not Shown)

CC1813XL Honda Engine Assembly #6048975



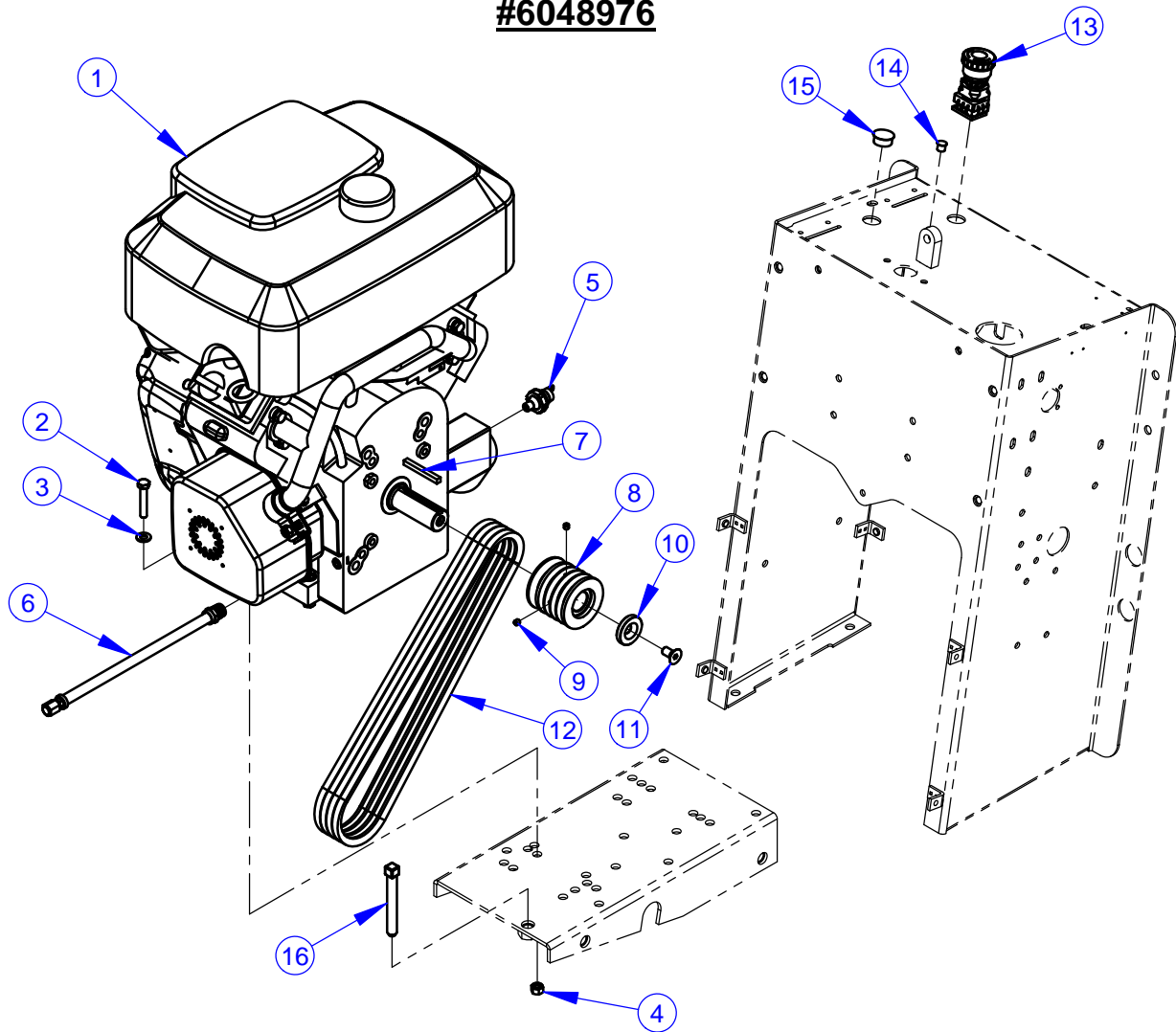
ITEM	PART NO.	QTY.	DESCRIPTION
1	6048681	1	GX390 Short Shaft
2	2900317	4	Cap Screw, Hex Hd., M10-1.5 x 45mm
3	2901356	4	Flat Washer, M10
4	2900304	4	Lock Nut, M10-1.5 Nylon Insert
5	6048042	1	Oil Drain Hose Assembly
6	2400299	1	Key, 1/4 x 1-3/4"
7	6044013	1	Sheave, 2.65 X 1.000 Bore, 3V-3 / 4L-1 Groove
8	2900619	2	Set Screw, Soc. Hd., 1/4-20 x 5/16"
9	6044009	1	Countersunk Washer
10	2902457	1	Cap Screw, Flat Hd., 3/8-24 x 5/8"
11	2500035	3	V-Belt, 3VX335
12	2801367	1	E-Stop Switch
13	2500462	1	Plug, 3/8" Hole
14	2500549	1	Plug, 7/8" Hole
15	2700554	1	Muffler Deflector, Honda & Lifan
16	2900206	8	Screw, Self Tapping, #8-32 x 3/8", Honda & Lifan
20	6048899	1	E-Stop Wiring Harness (Not Shown)

CC1813XL Honda Engine Assembly w/ Electric Start #6049041



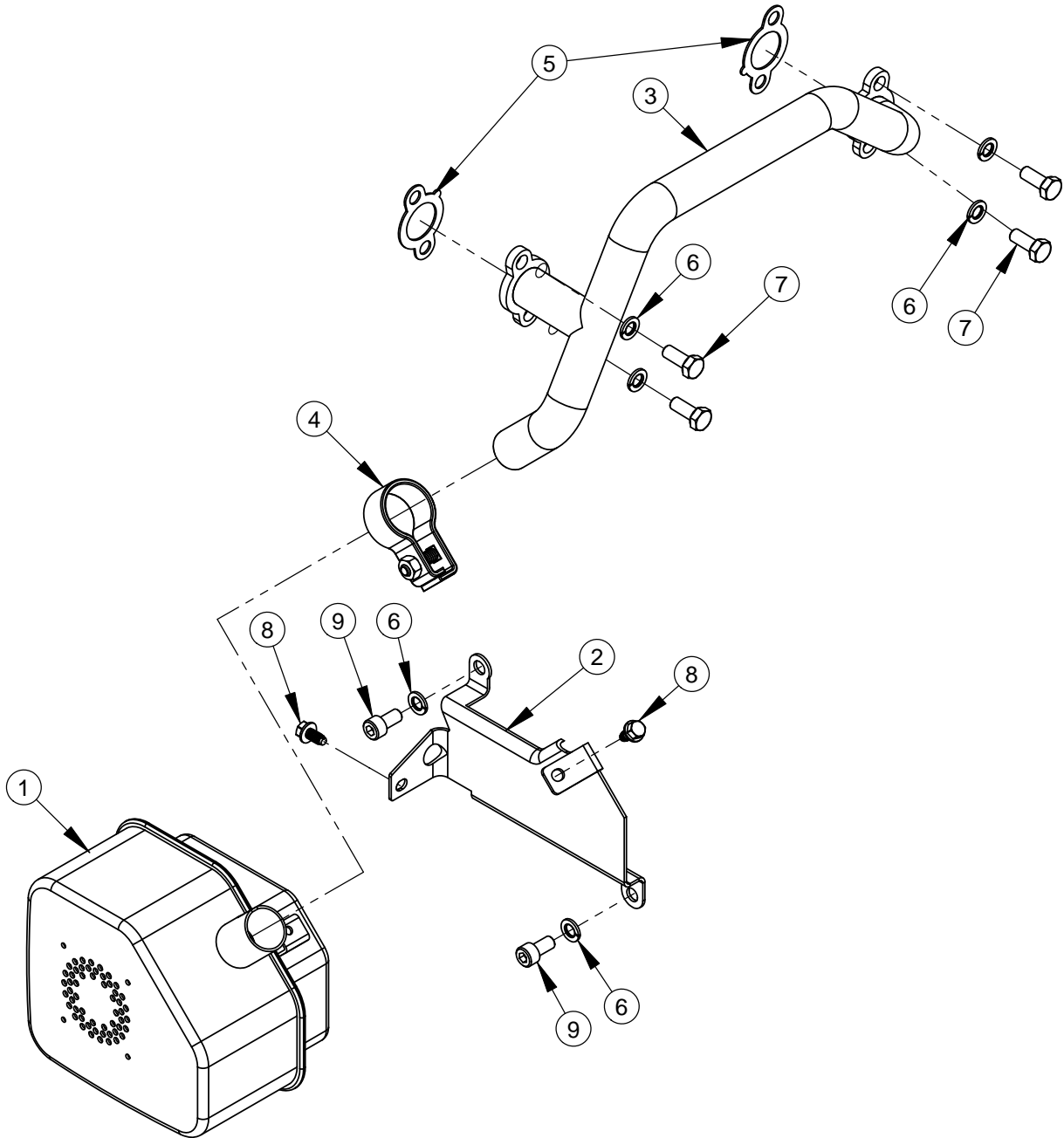
ITEM	PART NO.	QTY.	DESCRIPTION
1	6049082	1	GX390 Short Shaft
2	2900317	4	Cap Screw, Hex Hd., M10-1.5 x 45mm
3	2901356	4	Flat Washer, M10
4	2900304	4	Lock Nut, M10-1.5 Nylon Insert
5	6048042	1	Oil Drain Hose Assembly
6	6010169	1	Key, 1/4" Sq. x 1-1/4"
7	6044013	1	Sheave, 2.65 X 1.000 Bore, 3V-3 / 4L-1 Groove
8	2900619	2	Set Screw, Soc. Hd., 1/4-20 x 5/16"
9	6044009	1	Countersunk Washer
10	2902457	1	Cap Screw, Flat Hd., 3/8-24 x 5/8"
11	2500035	3	V-Belt, 3VX335
12	2900309	2	Cap Screw, Hex Hd., M5-0.8 x 20mm
13	2900926	2	Flat Washer, M5
14	2900301	2	Lock Nut, M5-0.8 Nylon Insert
15	2700554	1	Muffler Deflector, Honda & Lifan
16	2900206	8	Screw, Self Tapping, #8-32 x 3/8", Honda & Lifan
17	2500810	1	Throttle Control, 36"
18	2500549	1	Plug, 7/8" Hole
19	2500462	1	Plug, 3/8" Hole
20	2801367	1	E-Stop Switch
21	6048899	1	E-Stop Wire Harness (Not Shown)

CC1816XL Briggs-Vanguard Engine Assembly #6048976



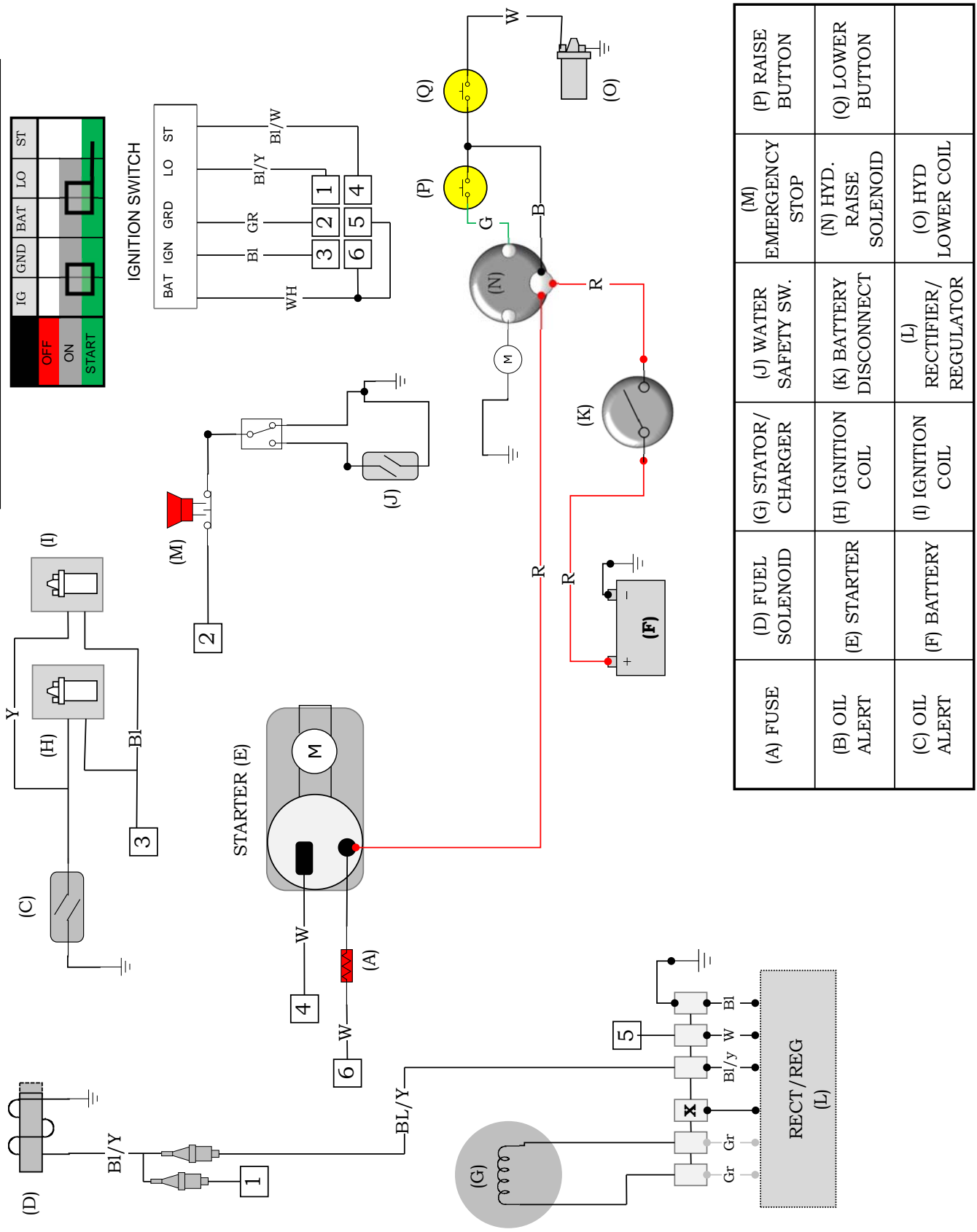
ITEM	PART NO.	QTY.	DESCRIPTION
1	2601702	1	Engine, 16 HP Briggs-Vanguard
2	2900336	4	Cap Screw, Hex Hd., M8-1.25 x 45mm
3	2900022	4	Flat Washer, 5/16" SAE
4	2900303	4	Lock Nut, M8-1.25 Nylon Insert
5	2703197	1	Oil Pressure Shutoff Switch
6	6048040	1	Oil Drain Hose Assembly, 1/4" x 10"
7	6048134	1	Key, 1/4" Sq. x 2-1/4"
8	6044007	1	Sheave, 2.65 X 1.000, 3V-4 / 4L-1 Groove
9	2900056	2	Set Screw, Soc. Hd., 1/4-20 x 1/4"
10	6044009	1	Countersunk Washer
11	2902457	1	Cap Screw, Flat Hd., 3/8-24 x 5/8"
12	2500036	4	V-Belt, 3VX355
13	2801367	1	E-Stop Switch
14	2500462	1	Plug, 3/8" Hole
15	2500549	1	Plug, 7/8" Hole
16	2901578	1	Setscrew, Sq. Hd., M12 x 90mm
17	6048875	1	E-Stop Wire Harness (Not Shown)

Muffler Assembly (16HP Briggs) #6010870



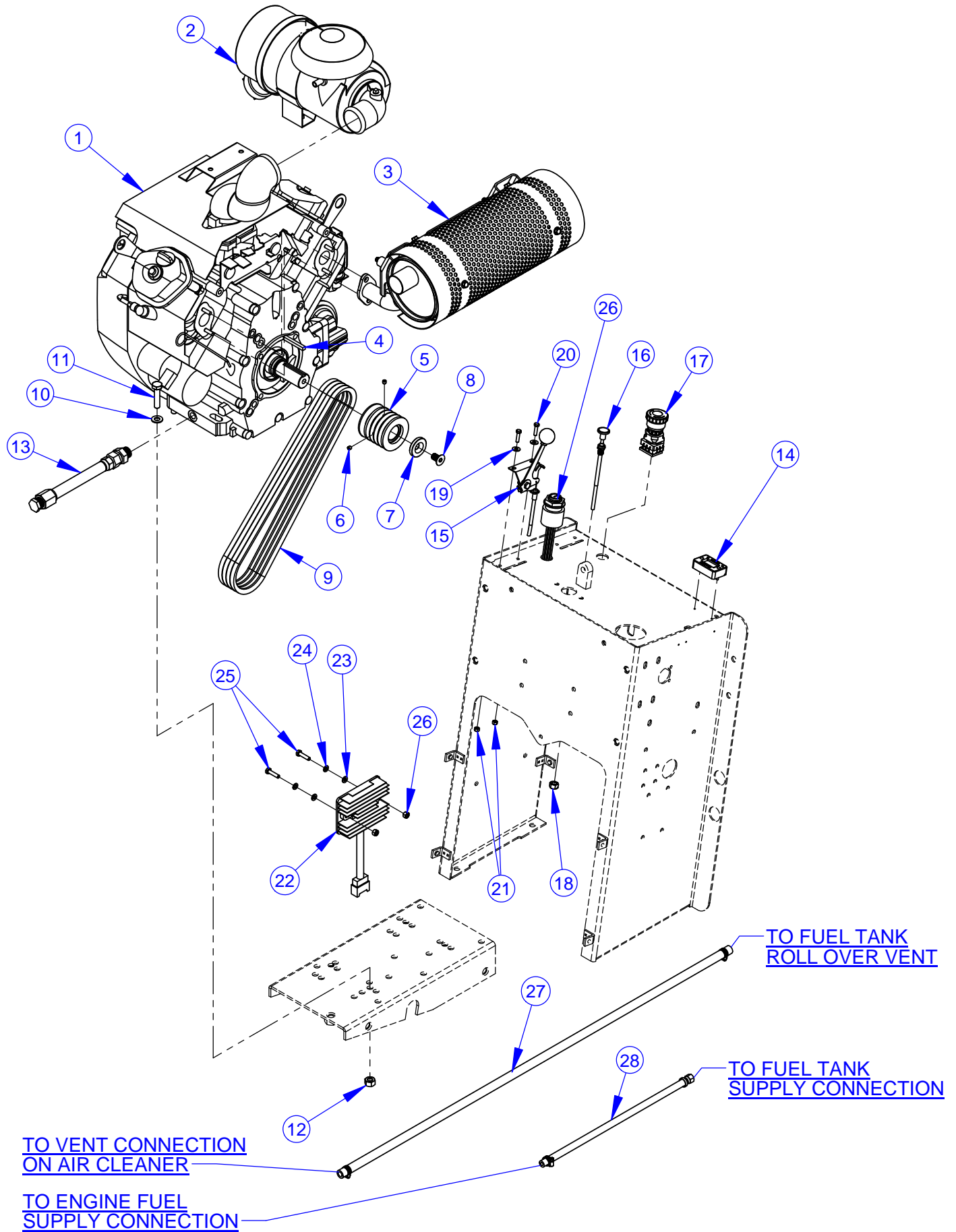
ITEM	PART NO.	QTY.	DESCRIPTION
1	2704920	1	Muffler
2	2704921	1	Bracket, Muffler
3	2704922	1	Exhaust Manifold
4	2704923	1	Clamp, Muffler, 1-1/4"
5	2704924	2	Exhaust Gasket
6	2900763	6	Lock Washer, M8 Split
7	2900329	4	Cap Screw, Hex Hd., M8-1.25 x 20mm
8	2901300	2	Tap Screw, Hex Hd., 1/4-20 x 1/2"
9	2900267	2	Cap Screw, Soc. Hd., M8-1.25 x 16mm

NEW V-TWIN HONDA



(A) FUSE	(D) FUEL SOLENOID	(G) STATOR/CHARGER	(J) WATER SAFETY SW.	(M) EMERGENCY STOP	(P) RAISE BUTTON
(B) OIL ALERT	(E) STARTER	(H) IGNITION COIL	(K) BATTERY DISCONNECT	(N) HYD. RAISE SOLENOID	(Q) LOWER BUTTON
(C) OIL ALERT	(F) BATTERY	(I) IGNITION COIL	(L) RECTIFIER/REGULATOR	(O) HYD LOWER COIL	

CC1820XL Honda Engine Assembly W/ Electric Start 6048977

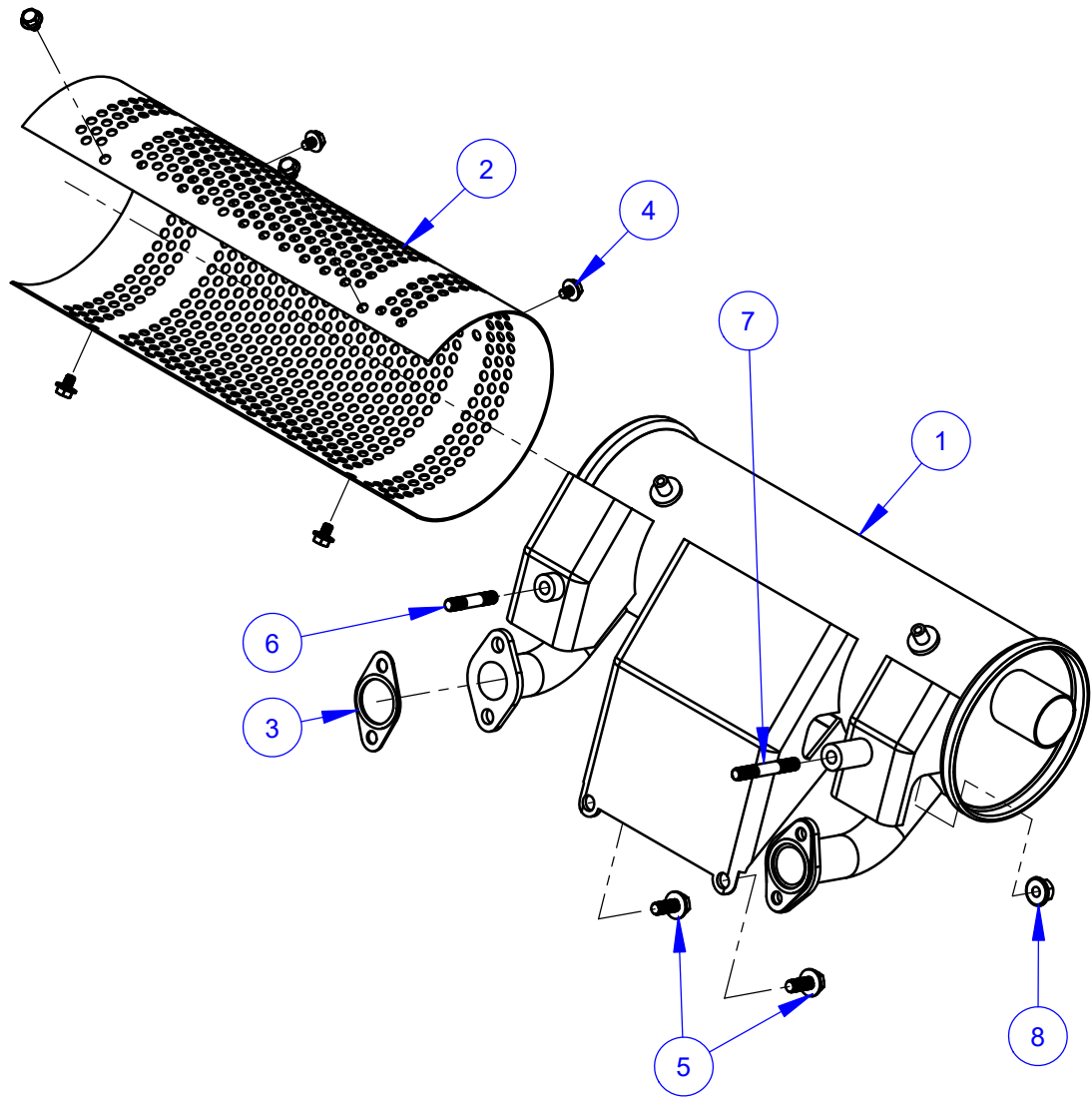


CC1820XL Honda Engine Assembly
W/ Electric Start 6048977

ITEM	PART NO.	QTY.	DESCRIPTION
1	6049068	1	Honda (GX630) Short Shaft
2	2703556	1	Air Cleaner Assembly
3	2703139	1	Muffler Assembly, High Mount, Left
4	2501357	1	Key, 1/4" Sq., x 2.0"
5	6044008	1	Sheave, 2.65 X 1.000, 3V-4 / 4L-1 Groove
6	2900056	2	Set Screw, Soc. Hd., 1/4-20 x 1/4"
7	6044009	1	Countersunk Washer
8	2902148	1	Cap Screw, Flat Hd., 7/16-20 X 3/4"
9	2500036	4	V-Belt, 3VX355
10	2900014	4	Flat Washer, 3/8" SAE
11	2900317	4	Cap Screw, Hex Hd., M10-1.5 x 45mm
12	2900304	4	Lock Nut, M10-1.5 Nylon Insert
13	6048245	1	Oil Drain Hose Assembly
14	2801502	1	Tach/Hour Meter, W/#6 Screws
15	2500810	1	Throttle Control, 36"
16	2500377	1	Choke Cable
17	2801367	1	E-Stop Switch
18	2900148	1	Hex Nut, 3/8-24
19	2900016	2	Flat Washer, #10 USS
20	2900309	2	Cap Screw, Hex Hd., M5-0.8 x 20mm
21	2900301	2	Lock Nut, M5-0.8 Nylon Insert
22	2701670	1	Rectifier Assembly
23	2901494	2	Flat Washer, M6
24	2900765	2	Lock Washer, M6 Split
25	2900311	2	Cap Screw, Hex Hd., M6-1.0 x 25mm
26	2900302	2	Lock Nut, M6-1.0 Nylon Insert
27	6047218	1	Vent Hose Assy., 3/8 x 40"
28	6030602	1	Fuel Line Assembly
29	6049059	1	Wire Harness Assembly, Honda

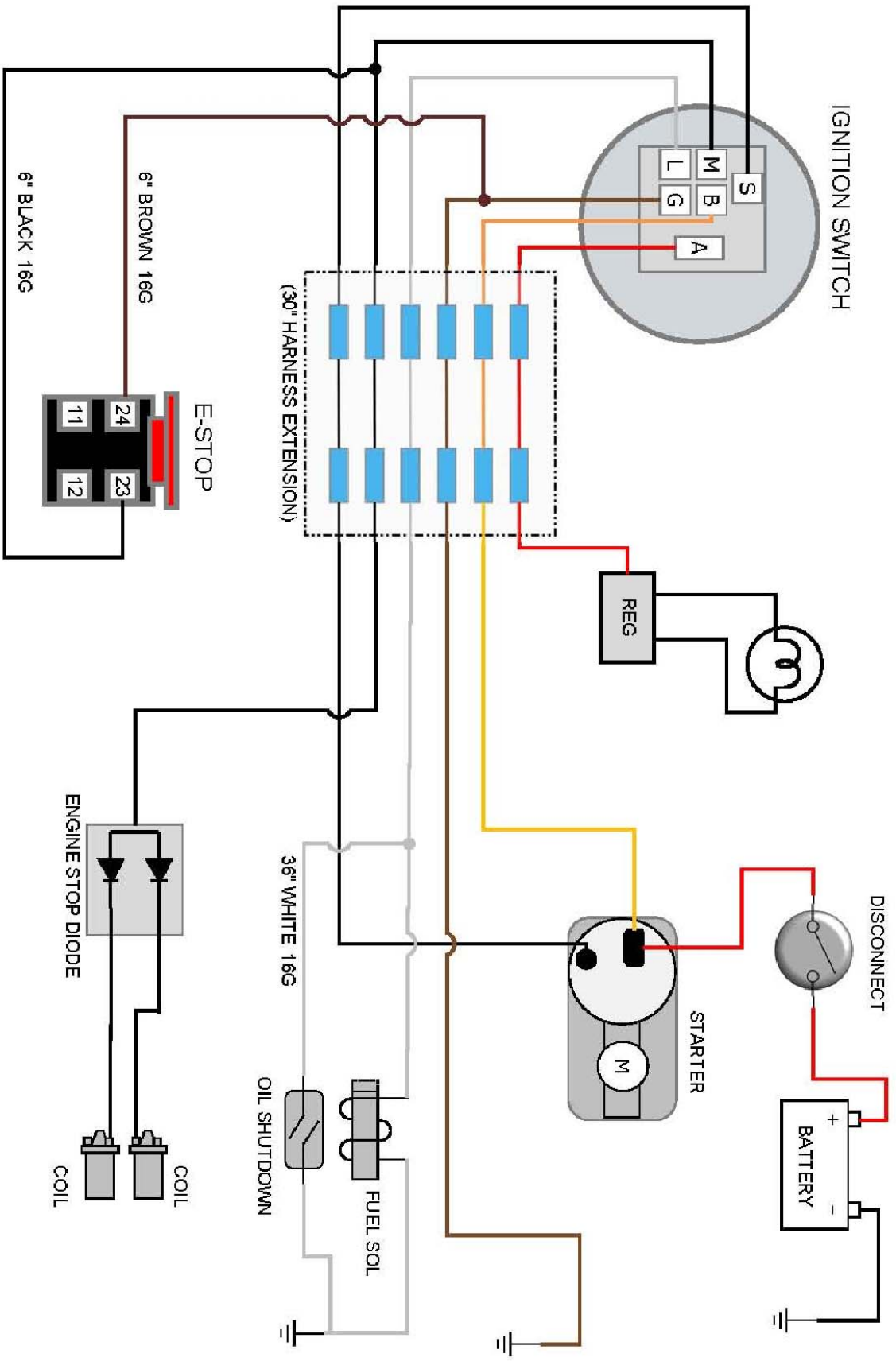
6049059 INCLUDES THE IGNITION SWITCH ASSEMBLY 6049057
AND THE ENGINE TO IGNITION SWITCH HARNESS ASSEMBLY 6040958
BOTH ARE AVAILABLE SEPARATELY.

**Honda High Mount with Left Side Exhaust
used on GX630, GX690 Engines #2703139**

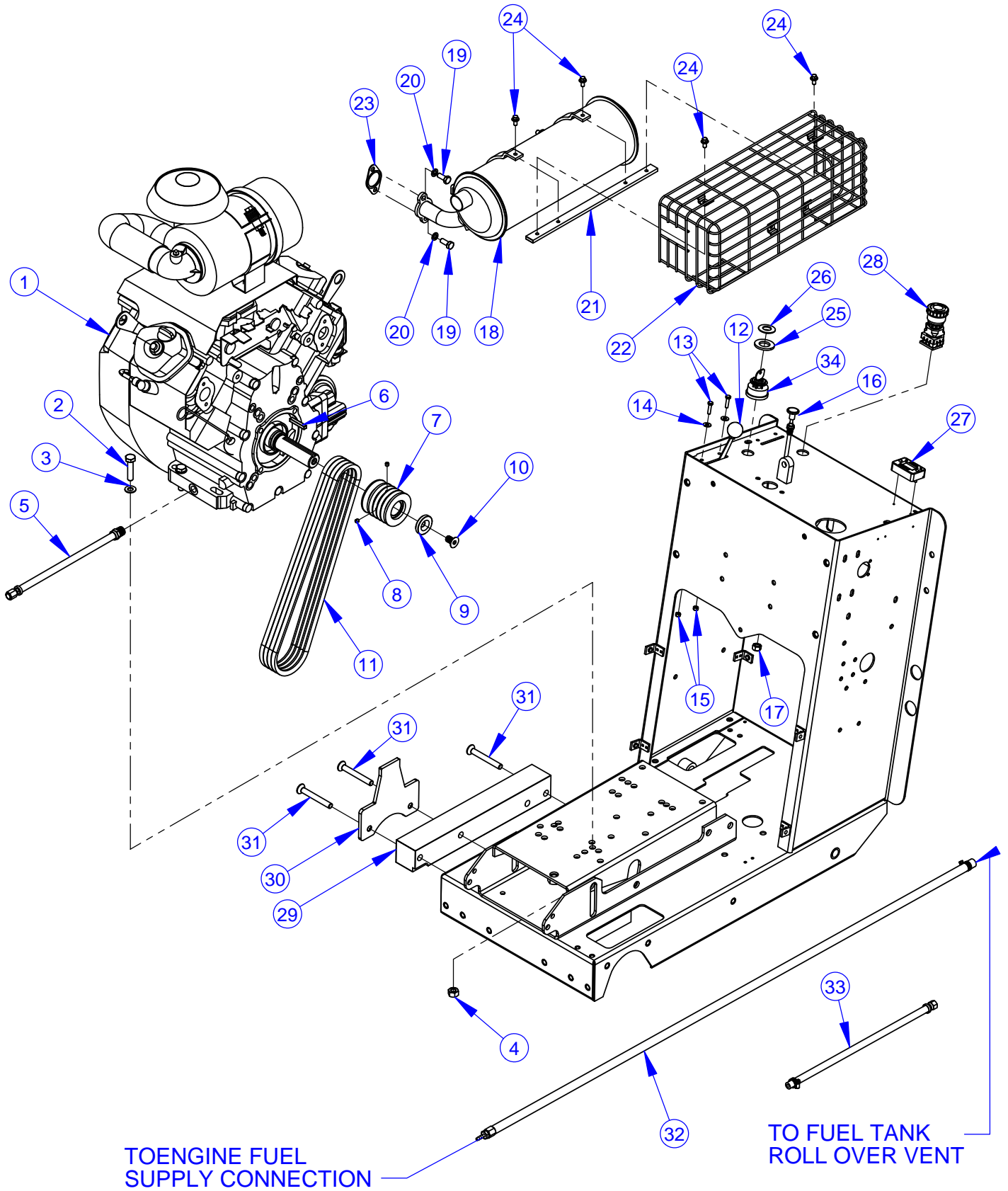


ITEM	PART NO.	QTY.	DESCRIPTION
1	2703139	1	Honda Muffler
2	2709900	1	Muffler Protector
3	2703410	2	Exhaust Gasket
4	2702196	6	Cap Screw, Hex Flange Hd., M6 x 8mm
5	2702198	2	Cap Screw, Hex Flange Hd., M8 x 20mm
6	2709908	1	Stud, Bolt, M8 x 45mm
7	2709909	1	Stud, Bolt, M8 x 60mm
8	2700353	2	Hex Nut Flanged, M8

CC1823 Wiring Schematic



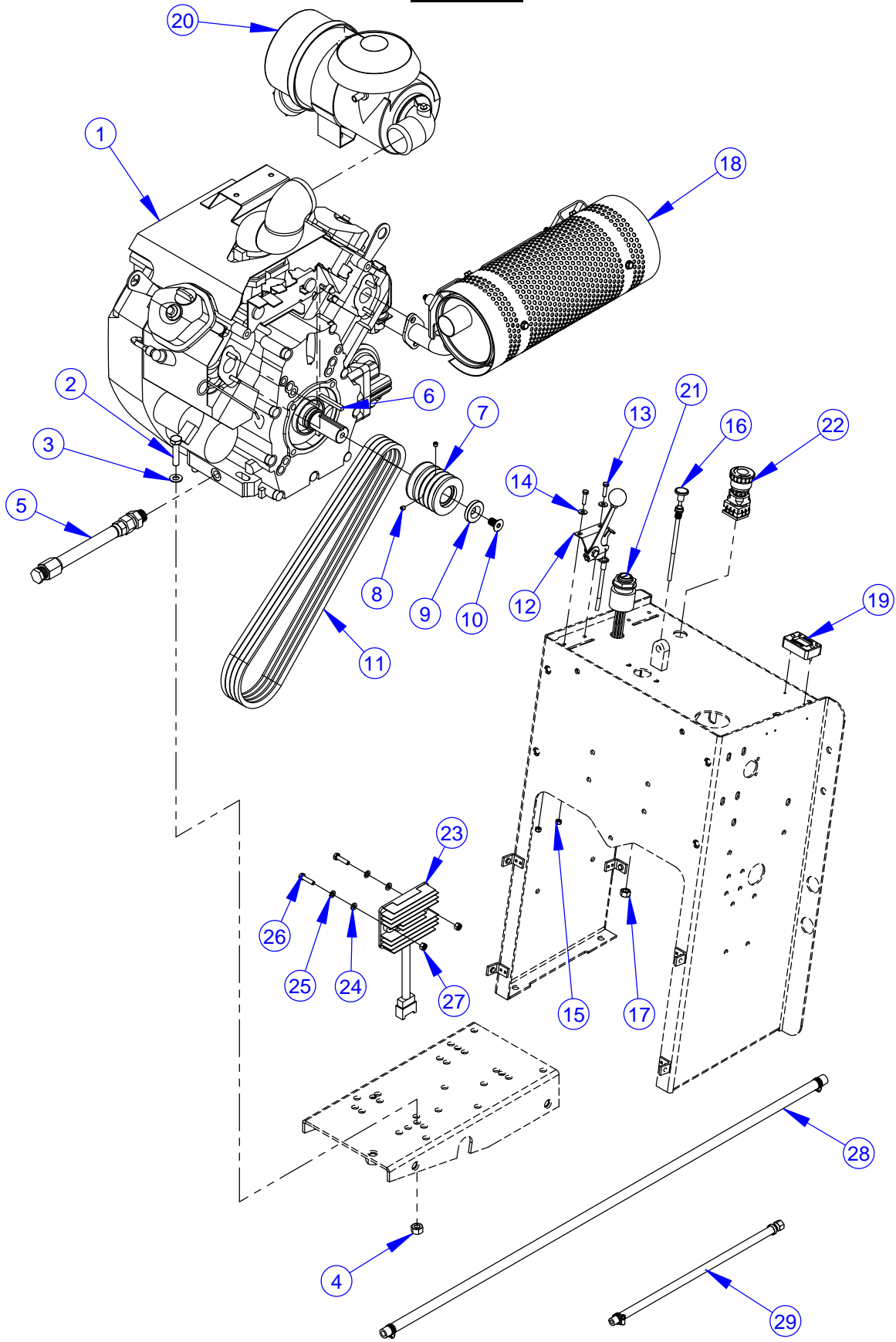
CC1823XL Briggs-Vanguard Engine Assembly #6049040



CC1823XL Briggs-Vanguard Engine Assembly
#6049040

ITEM	PART NO.	QTY.	DESCRIPTION
1	2601713	1	Engine, 23HP Briggs-Vanguard
2	2900317	4	Cap Screw, Hex Hd., M10-1.5 x 45mm
3	2900014	4	Flat Washer, 3/8" SAE
4	2900304	4	Lock Nut, M10-1.5 Nylon Insert
5	6048040	1	Oil Drain Hose Assembly, 1/4" x 10"
6	6011772	1	Key, 1/4 X 1/4 X 1.50
7	6044008	1	Sheave, 2.65 X 1.000, 3V-4 / 4L-1 Groove
8	2900056	2	Set Screw, Soc. Hd., 1/4-20 x 1/4"
9	6044009	1	Countersunk Washer
10	2902148	1	Cap Screw, Flat Hd., 7/16-20 X 3/4"
11	2500036	4	V-Belt, 3VX355
12	2500810	1	Throttle Control, 36"
13	2900309	2	Cap Screw, Hex Hd., M5-0.8 x 20mm
14	2900016	2	Flat Washer, #10 USS
15	2900301	2	Lock Nut, M5-0.8 Nylon Insert
16	2500377	1	Choke Cable
17	2900148	1	Hex Nut, 3/8-24
18	2706804	1	Muffler, 23 HP Briggs Vanguard
19	2900329	4	Cap Screw, Hex Hd., M8-1.25 x 20mm
20	2900763	4	Lock Washer, M8 Split
21	6048878	1	Muffler Guard Mount
22	2701253	1	Muffler Guard
23	2706805	2	Exhaust Gasket
24	2901370	4	Cap Screw, Hex Flange, M6-1.0 x 12mm
25	2900003	1	Flat Washer, 3/4" SAE
26	2900478	1	Belleville Washer, 5/8"
27	2801502	1	Tach/Hour Meter, W/#6 Screws
28	2801367	1	E-Stop Switch
29	6048319	1	Blade Guard Spacer
30	6049024	1	Tapered Guard Mount
31	2900908	3	Cap Screw, Flat Hd., M10-1.5 x 80mm
32	6047048	1	Hose Assy., 3/8 x 50"
33	6048265	1	Fuel Line Assembly
34	2702622	1	Ignition Switch w/ Key (Briggs-Vanguard)
40	6043648	1	Wire Harness (Not Shown)

CC1820XL Honda Engine Assembly
W/ Electric Start
For Use W/ 24" Bladeguard
6049021

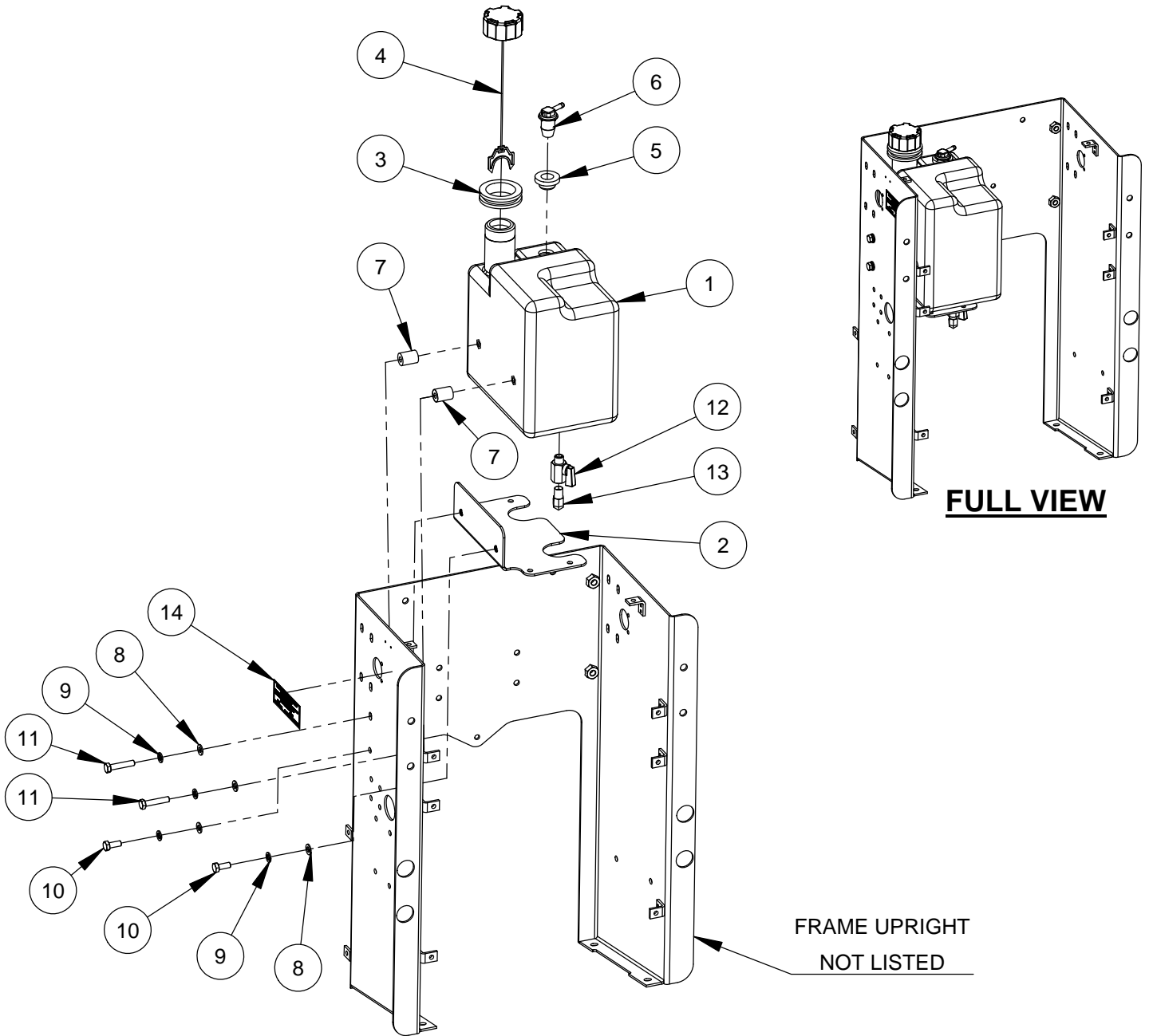


CC1820XL Honda Engine Assembly
W/ Electric Start
For Use W/ 24" Blade Guard
6049021

ITEM	PART NO.	QTY.	DESCRIPTION
1	6049068	1	Honda (GX630) Short Shaft
2	2900317	4	Cap Screw, Hex Hd., M10-1.5 x 45mm
3	2900014	4	Flat Washer, 3/8" SAE
4	2900304	4	Lock Nut, M10-1.5 Nylon Insert
5	6048245	1	Oil Drain Hose Assembly
6	2501357	1	Key, 1/4" Sq., x 2.0"
7	6044008	1	Sheave, 2.65 X 1.000, 3V-4 / 4L-1 Groove
8	2900056	2	Set Screw, Soc. Hd., 1/4-20 x 1/4"
9	6044009	1	Countersunk Washer
10	2902148	1	Cap Screw, Flat Hd., 7/16-20 X 3/4"
11	2500037	4	V-Belt, 3VX375
12	2500810	1	Throttle Control, 36"
13	2900309	2	Cap Screw, Hex Hd., M5-0.8 x 20mm
14	2900016	2	Flat Washer, #10 USS
15	2900301	2	Lock Nut, M5-0.8 Nylon Insert
16	2500377	1	Choke Cable
17	2900148	1	Hex Nut, 3/8-24
18	2703139	1	Muffler Assembly, High Mount, Left
19	2801502	1	Tach/Hour Meter, W/#6 Screws
20	2703556	1	Air Cleaner Assembly
21	6049059	1	Wire Harness Assembly, Honda
22	2801367	1	E-Stop Switch
23	2701670	1	Rectifier Assembly
24	2901494	2	Flat Washer, M6
25	2900765	2	Lock Washer, M6 Split
26	2900311	2	Cap Screw, Hex Hd., M6-1.0 x 25mm
27	2900302	2	Lock Nut, M6-1.0 Nylon Insert
28	6047218	1	Vent Hose Assy., 3/8 x 40"
29	6030602	1	Fuel Line Assembly

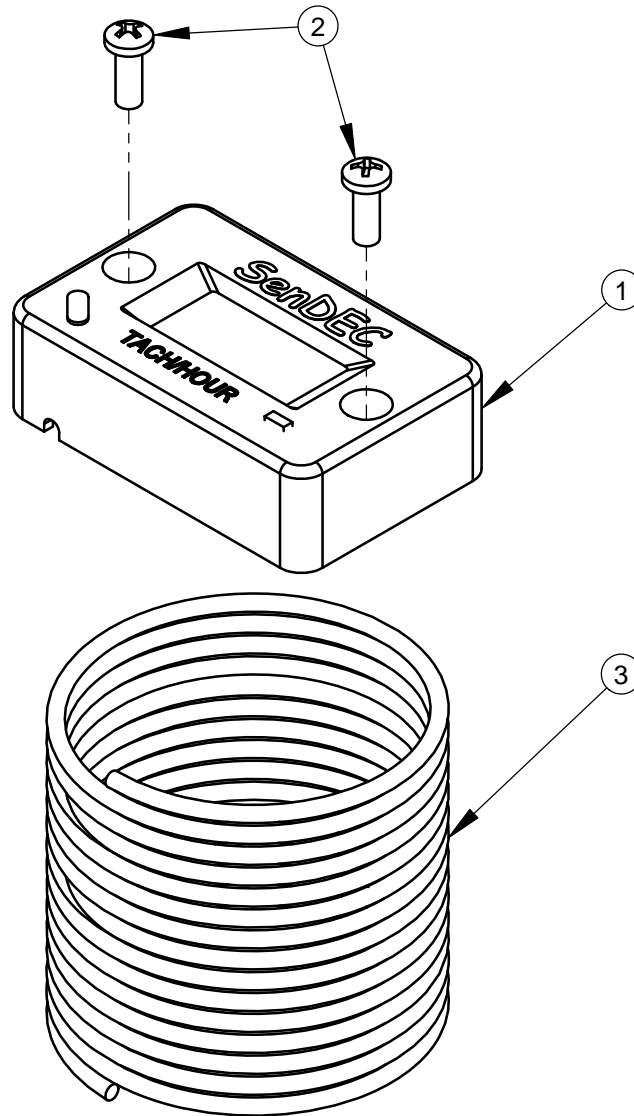
**6049059 INCLUDES THE IGNITION SWITCH ASSEMBLY 6049057
AND THE ENGINE TO IGNITION SWITCH HARNESS ASSEMBLY 6040958
BOTH ARE AVAILABLE SEPARATELY.**

6049065 CC1800XL Fuel System



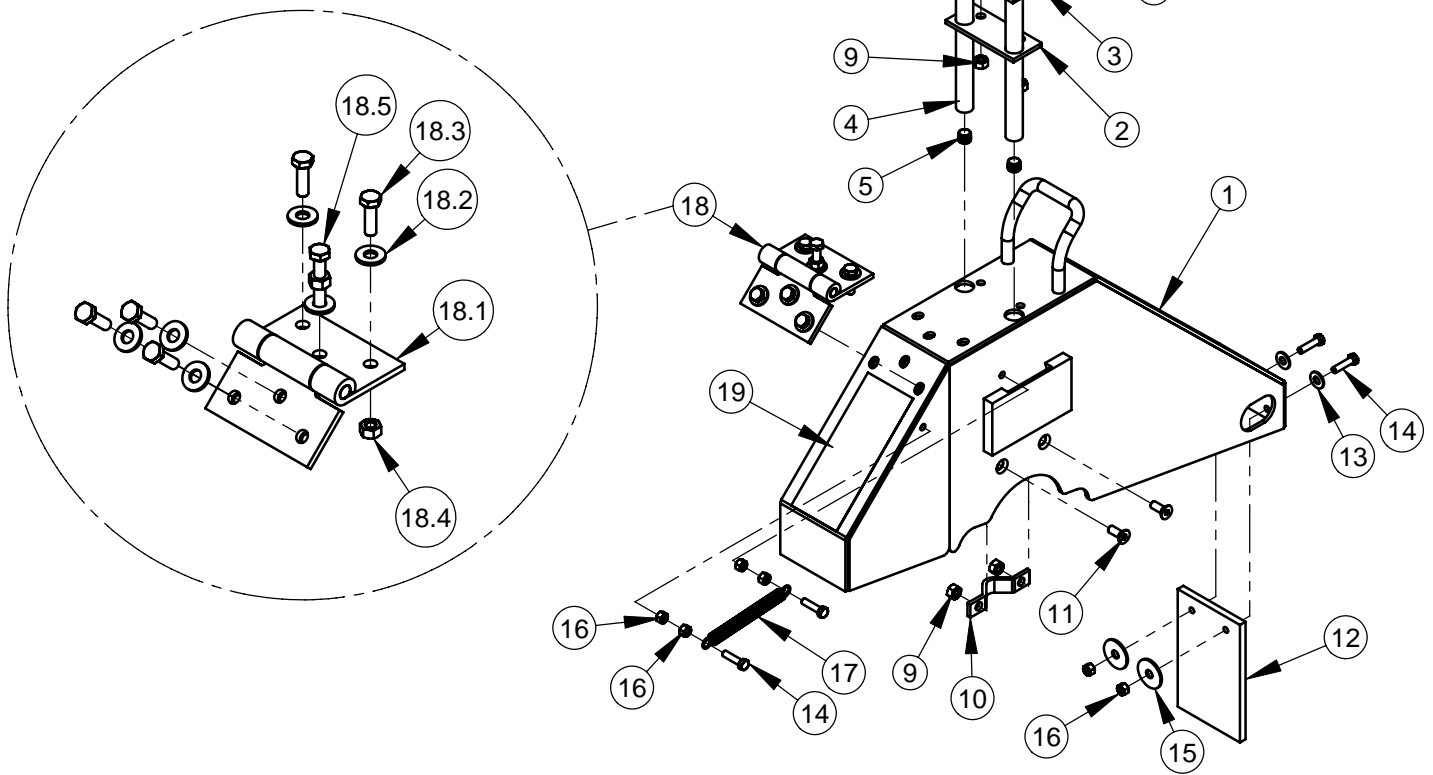
ITEM	PART NO.	QTY.	DESCRIPTION
1	6010849	1	Fuel Tank, 1.5 Gallon
2	6048327	1	Bracket
3	2500623	1	Fuel Tank Grommet
4	2506718	1	Fuel Tank Cap, 1-3/4"
5	2506716	1	Grommet
6	2502484	1	Roll Over Vent, 1/4" Hose Barb
7	2900797	2	Standoff, 3/4 x 1"
8	2901336	4	Flat Washer, M8
9	2900763	4	Lock Washer, M8 Split
10	2900329	2	Cap Screw, Hex Hd., M8-1.25 x 20mm
11	2900792	2	Cap Screw, Hex Hd., M8-1.25 x 40mm
12	3200108	1	Ball Valve, 1/4" NPT
13	3200057	1	Elbow, 1/4" M. Pipe to 1/4" M. JIC
14	1801716	1	Decal, EPA EVAP Standard

Tach/Hourmeter Assembly #2801502



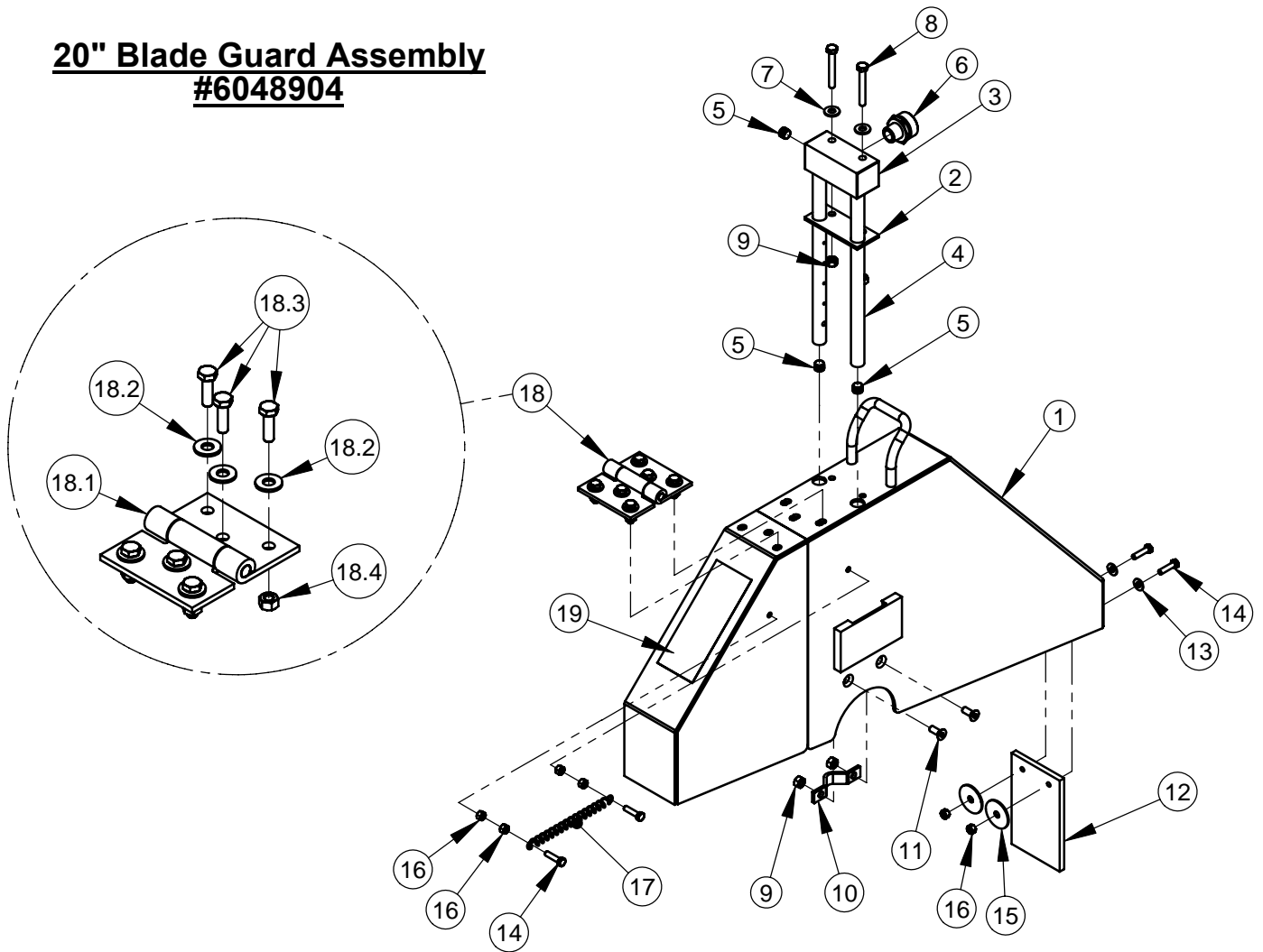
ITEM	PART NO.	QTY.	DESCRIPTION
1	2801502	1	Tach/Hour Meter, Digital
2	2701785	2	Pan Head, Self-tapping, #6-20 x 3/8"
3	2801502A	1	Tachometer Wire

14" Blade Guard Assembly
#6048912



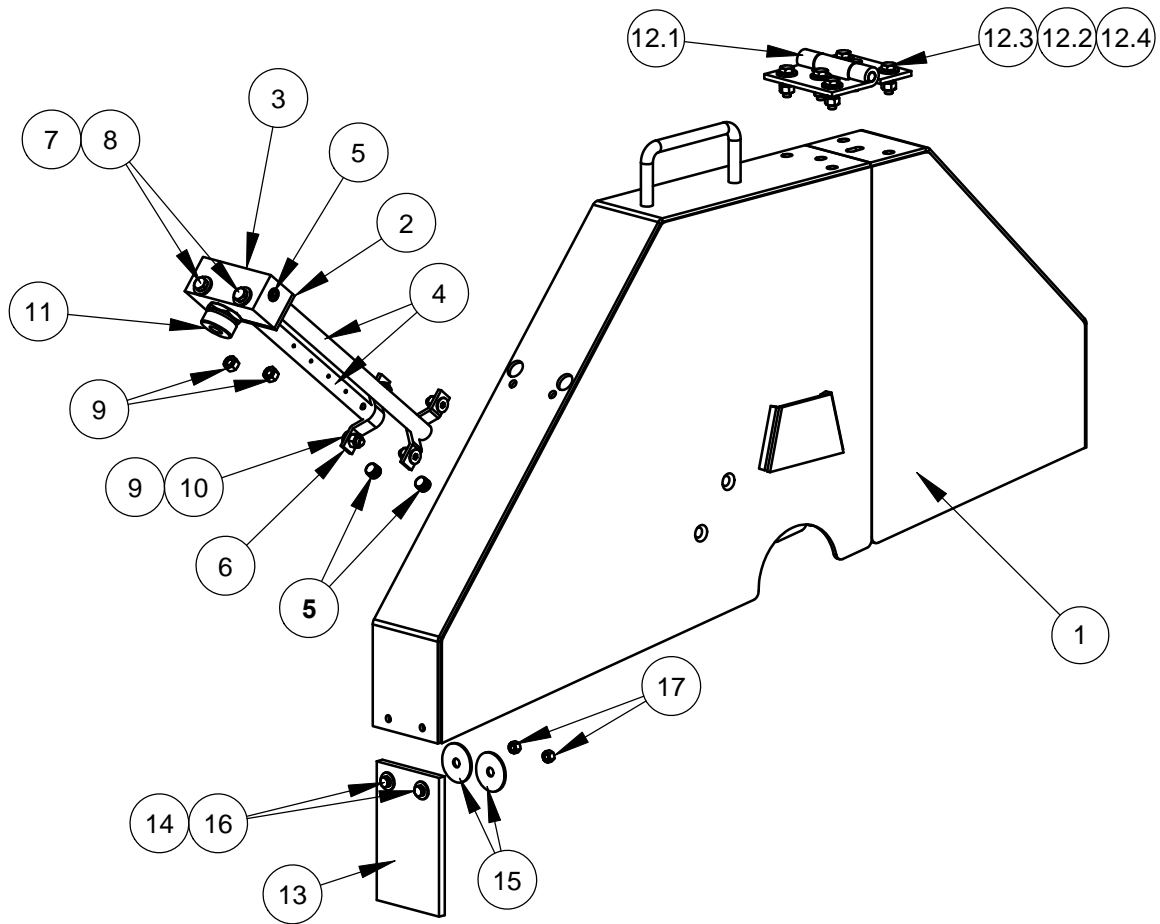
ITEM	PART NO.	QTY.	DESCRIPTION
1	6048911	1	14" Blade Guard
2	2500829	1	Water Manifold Gasket
3	6048123	1	Water Manifold
4	6048283	2	Water Tube for 14" Guard
5	3200001	3	Plug, 1/8" NPT
6	3200002	1	Fitting, 3/8" M. Pipe to 3/4" M. Garden
7	2900009	2	Flat Washer, 1/4" SAE
8	2900244	2	Cap Screw, Hex Hd., M6 x 45mm
9	2900302	6	Lock Nut, M6 Nylon
10	6048155	2	Water Tube Clamp
11	2900308	4	Cap Screw, Flat Hd. Soc., M6 x 16mm
12	6048039	1	Splash Flap
13	2900016	2	Flat Washer, #10 USS
14	2900309	4	Cap Screw, Hex Hd., M5 x 20mm
15	2900083	2	Fender Washer, 1/4" I.D. x 1-1/4" O.D.
16	2900301	6	Lock Nut, M5 Nylon
17	2500066	1	Spring, 3/8 X .055 X 3"
18	6048026	1	Hinge Assy., Metric Fasteners
18.1	2500270	1	Blade Guard Hinge
18.2	2900009	6	Flat Washer, 1/4" SAE
18.3	2900310	5	Cap Screw, Hex Hd., M6 x 20mm
18.4	2900302	7	Lock Nut, M6 Nylon
18.5	2900312	1	Cap Screw, Hex Hd., M6 x 35mm
19	1800001	1	Warning Label

20" Blade Guard Assembly
#6048904



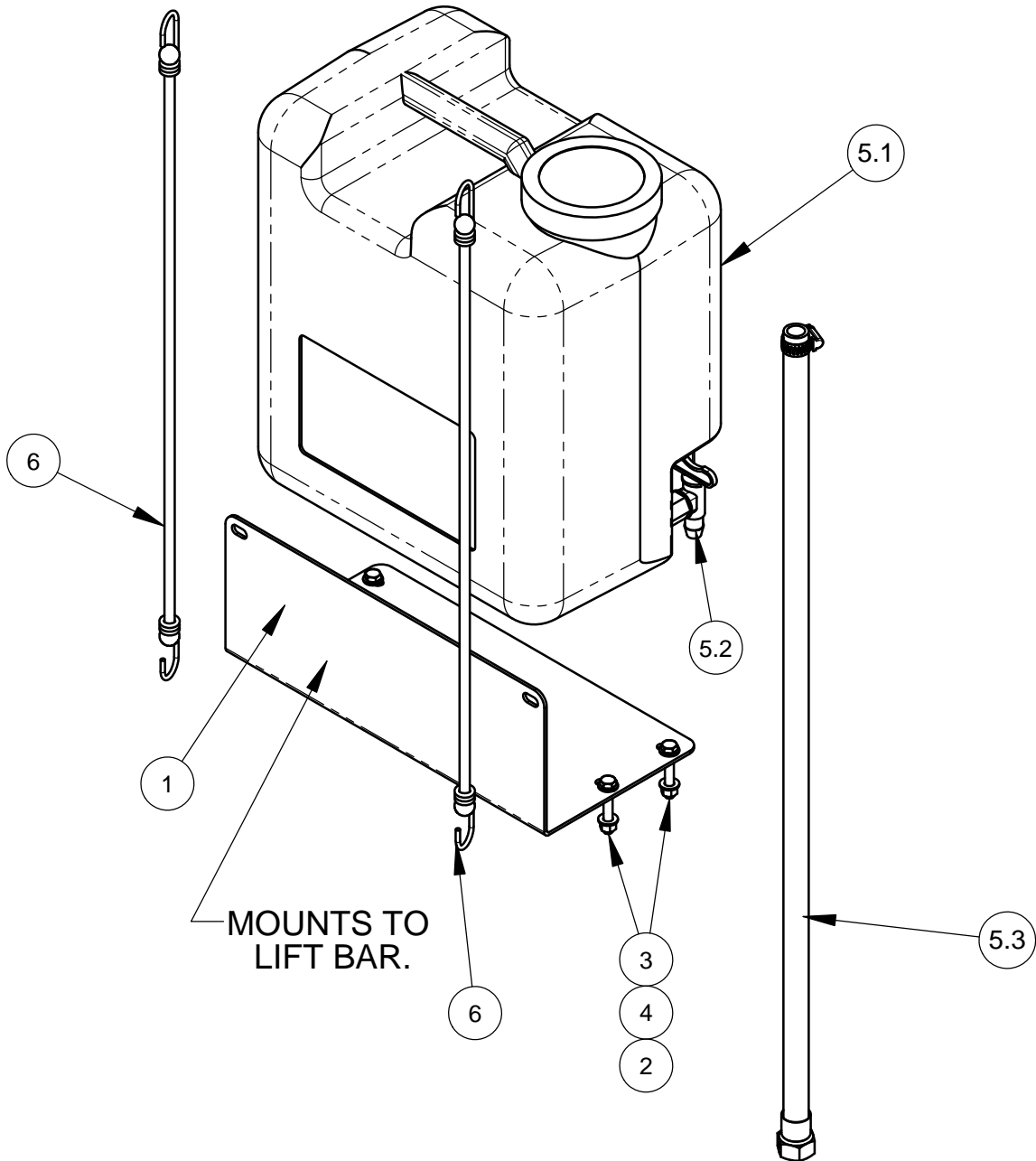
ITEM	PART NO.	QTY.	DESCRIPTION
1	6048905	1	20" Blade Guard
2	2500829	1	Water Manifold Gasket
3	6048123	1	Water Manifold
4	6010085	2	Water Tube for 20" Guard
5	3200001	3	Plug, 1/8" NPT
6	3200002	1	Fitting, 3/8" M. Pipe to 3/4" M. Garden
7	2900009	2	Flat Washer, 1/4" SAE
8	2900244	2	Cap Screw, Hex Hd., M6 x 45mm
9	2900302	6	Lock Nut, M6 Nylon
10	6048155	2	Water Tube Clamp
11	2900308	4	Cap Screw, Flat Hd. Soc., M6 x 16mm
12	6048039	1	Splash Flap
13	2900016	2	Flat Washer, #10 USS
14	2900309	4	Cap Screw, Hex Hd., M5 x 20mm
15	2900083	2	Fender Washer, 1/4" x 1-1/4"
16	2900301	6	Lock Nut, M5 Nylon
17	2500067	1	Spring, 3/8" x 4"
18	6048027	1	Hinge Assy., Metric Fasteners
18.1	2500270	1	Blade Guard Hinge
18.2	2900009	6	Flat Washer, 1/4" SAE
18.3	2900310	6	Cap Screw, Hex Hd., M6 x 20mm
18.4	2900302	6	Lock Nut, M6 Nylon
19	1800001	1	Warning Label

24" BLADE GUARD ASSEMBLY: 6048258



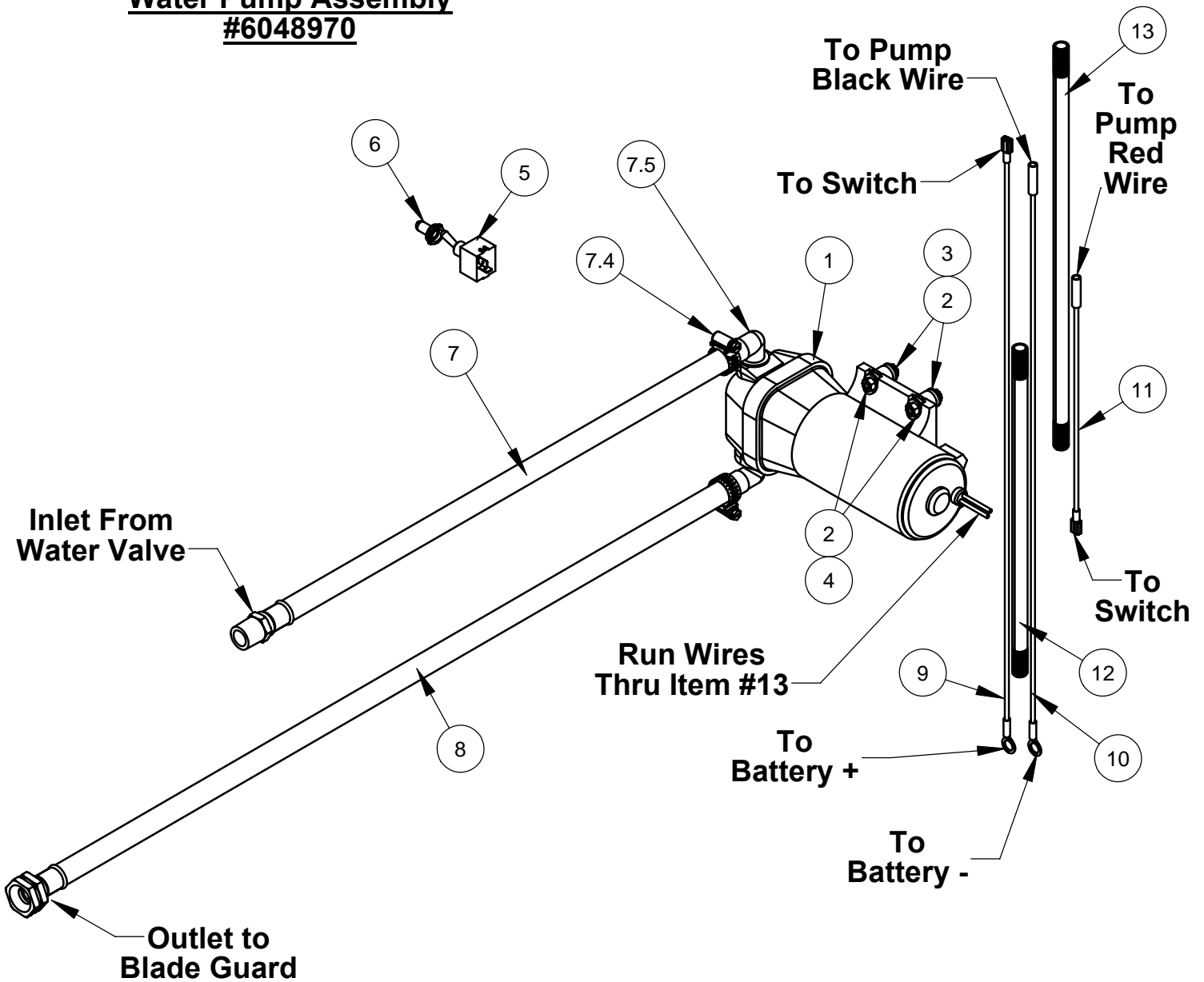
ITEM NO.	PART NUMBER	DESCRIPTION	QTY.
1	6048257	24" Blade Guard	1
2	2500829	Water Manifold Gasket	1
3	6048123	Water Manifold	1
4	6010085	Water Tube for 20" Guard	2
5	3200001	Plug, 1/8" NPT	3
6	6048155	Water Tube Clamp	2
7	2900009	Flat Washer, 1/4" SAE	2
8	2900244	Cap Screw, Hex Hd., M6 x 45mm	2
9	2900302	Lock Nut, M6 Nylon	6
10	2900308	Cap Screw, Flat Hd. Soc., M6 x 16mm	4
11	3200002	Fitting, 3/4" M. Pipe to 3/4" M. Garden	1
12	6048027	Hinge Assy., Metric Fasteners	1
12.1	2500270	Blade Guard Hinge	1
12.2	2900009	Flat Washer, 1/4" SAE	6
12.3	2900310	Cap Screw, Hex Hd., M6 x 20mm	6
12.4	2900302	Lock Nut, M6 Nylon	6
13	6048039	Splash Flap	1
14	2900016	Flat Washer, #10 USS	2
15	2900083	Fender Washer, 1/4" x 1-1/4"	2
16	2900309	Cap Screw, Hex Hd., M5 x 20mm	2
17	2900301	Lock Nut, M5 Nylon	2

6049020, CC1800XL WATER TANK OPTION



ITEM	PART NO.	QTY.	DESCRIPTION
1	6048631	1	Bracket, Water Tank
2	2900022	8	Flat Washer, 5/16" SAE
3	2900494	4	Cap Screw, Hex Hd., 5/16-18 x 2"
4	2900039	4	Lock Nut, 5/16-18 Nylon
5	6049064	1	Water Tank W/Hose Assy.
5.1	6048299	1	Water Tank Assy., 7-1/2 Gallon
5.2	2505095	1	Petcock
5.3	6049046	1	Hose Assy., 5/8 x 34-3/4", Water
6	2500586	2	Tiedown, Elastic, 28"

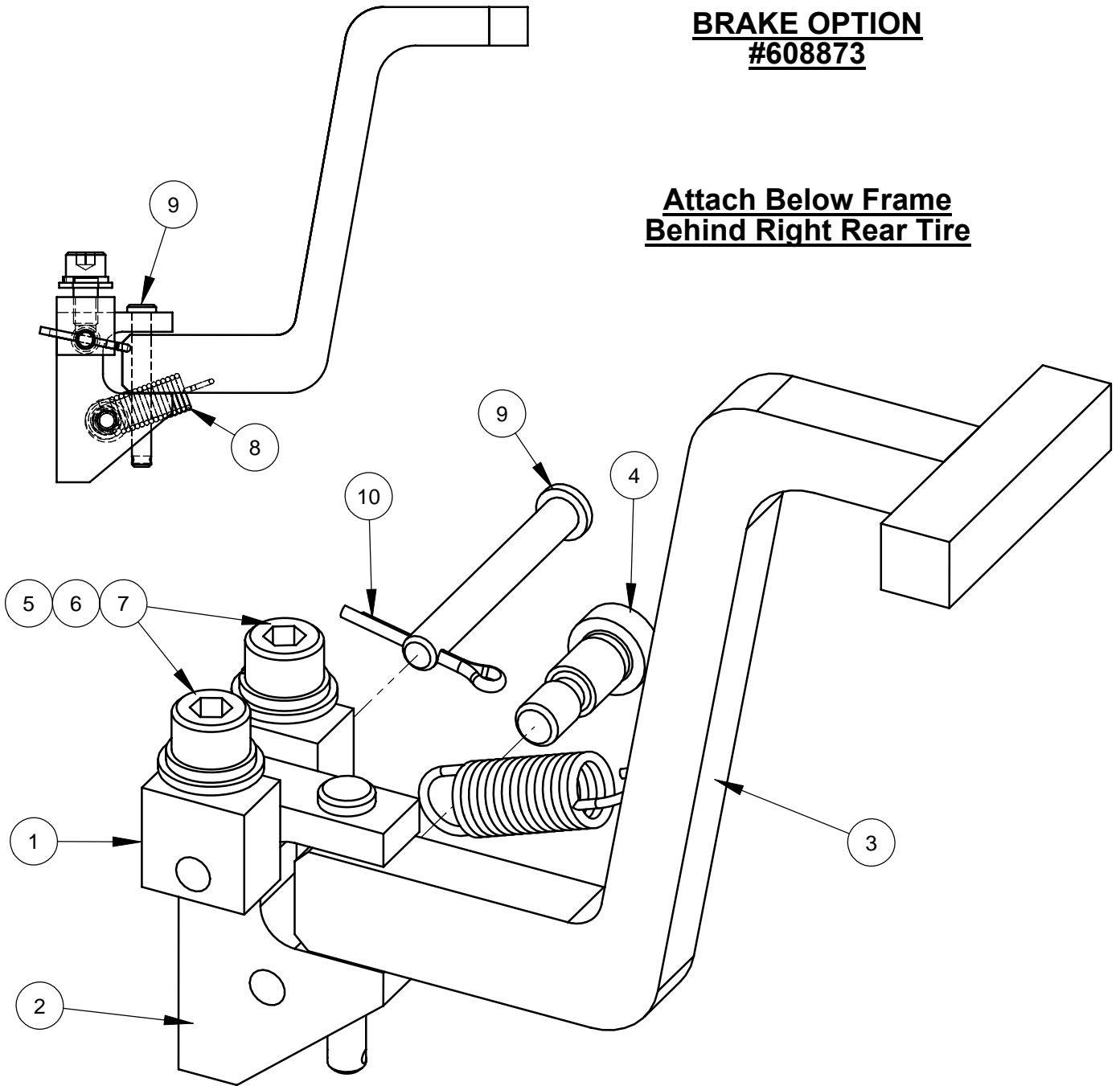
Water Pump Assembly
#6048970



ITEM	PART NO.	QTY.	DESCRIPTION
1	2600200	1	Water Pump, 12V Diaphragm
2	2900009	8	Flat Washer, 1/4" SAE
3	2900311	4	Cap Screw, Hex Hd., M6 x 25
4	2900302	4	Lock Nut, M6 Nylon
5	2800062	1	Toggle Switch On/Off
6	2800063	1	Switch Boot
7	6048965	1	Hose Assy., 1/2" x 23.67", Water
7.4	3200016	1	Hose Clamp #8
7.5	2701694	1	Port Fitting, 1/2" Barb x 90 Degree
8	6048966	1	Hose Assy., 1/2 x 33.85", Water
9	6043197	1	Wire Assy., 14 Ga., White
10	6043198	1	Wire Assy., 14 Ga., Black
11	6043199	1	Wire Assy., 14 Ga., Green
12	6043397	1	Wire Cover, 13"
13	6043398	1	Wire Cover, 16"

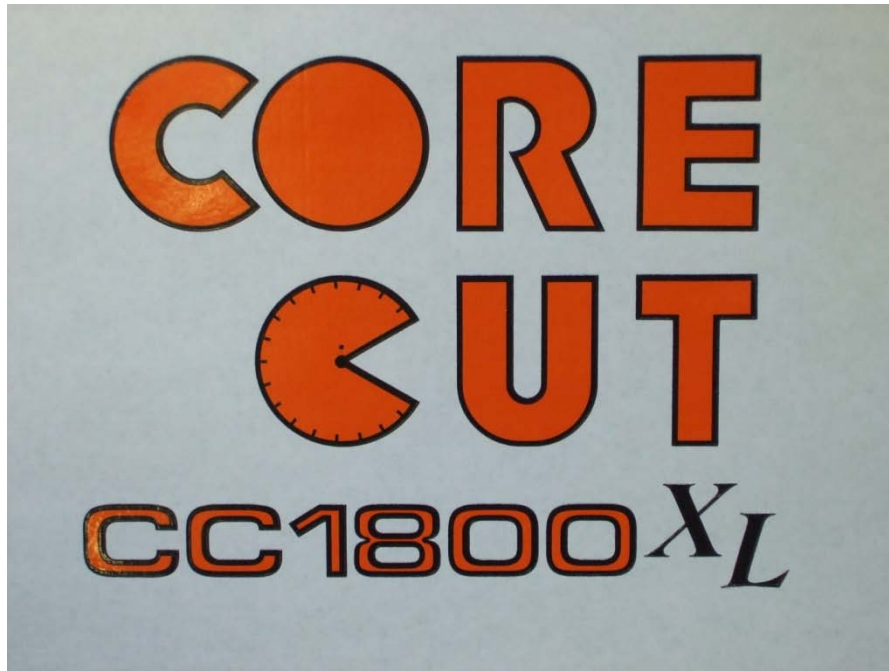
BRAKE OPTION
#608873

Attach Below Frame
Behind Right Rear Tire



ITEM	PART NO.	QTY.	DESCRIPTION
1	6048868	2	Clevis Plate
2	6048867	1	Plate, Brake Pivot
3	6048869	1	Brake Pedal Weldment
4	2900672	1	Shoulder Screw, 3/8" x 1/2" (5/16-18)
5	2900022	2	Flat Washer, 5/16" SAE
6	2900031	2	Lock Washer, 5/16" Split
7	2900267	2	Cap Screw, Soc. Hd., M8 x 16mm
8	2500068	1	Spring, .063 x .50 x 1.75
9	2901404	2	1/4 x 2.0" Clevis Pin
10	2900034	1	Cotter Pin, 3/32" x 3/4"

CC1800XL Decals



Core Cut Decal, #1801023

GASOLINA SOLO

WARNING / ADVERTENCIA

EXPLOSIVE FUEL

FAST RÁPIDO

ACCELERATOR

THROTTLE

SLOW LENTO

LOWER BAJAR

RABISE

OFF RUN

START

PULL OUT TO START. PUSH IN TO RUN.

JALE PARA ARRANCAR. EMPUJE CUANDO EL MOTOR ARRANQUE.

CHOKE

DEPTH CONTROL PULL PLUNGER TURN HANDWHEEL

IGNITION ENCENDIDO

FORWARD ADELANTE

TRANSMISSION

REVERSE REVERSA

INSTRUCCIONES DE OPERACION

ANTES DE ARRANCAR EL MOTOR:

- UTILIZAR EL DISCO DE DIAMANTE O DE ABRASIVO ADECUADO.
- ASEGURARSE DE QUE LAS BRIDAS DE SUJECION DEL DISCO ESTEN LIMPIAS Y SIN GOLPES.
- MONTAR EL DISCO Y APRETARLO CON FIRMEZA.
- VERIFICAR QUE LAS BOQUILLAS DE REFRIGERACION ESTEN LIMPIAS Y QUE EL FLUJO DE AGUA SEA ADECUADO.
- EN MODELOS AUTO-PROPULSADOS, DESCONECTE LA TRANSMISION.

PARA EMPEZAR ELCORTE:

- ARRANCAR EL MOTOR, DEJANDOLO CALENTARSE A MEDIO REGIMEN. TODOS LOS CORTES SE HACEN A PLENO REGIMEN.
- ALINEAR EL DISCO CON EL CORTE. SI EL CORTE ES EN BUREDO, ABRIR LA VALVULA DE PASO DE AGUA, BAJAR LENTAMENTE EL DISCO HASTA INICIAR EL CORTE.
- EMPUJE LA CORTADORA HACIA ADELANTE CON LENTITUD. EN MODELOS AUTO-PROPULSADOS, PONGA EL CONTROL DE VELOCIDAD EN NEUTRAL. CONECTE LA TRANSMISION Y BUEVA LENTAMENTE HACIA ADELANTE LA PALANCA DE CONTROL DE VELOCIDAD.
- CORTAR TAN RAPIDO COMO EL DISCO LO PERMITA. SI EL DISCO TIENE A LEVANTARSE BALANZANDOSE DEL CORTE, REDUCIR LA VELOCIDAD DE AVANCE O LA PROFUNDIDAD DE CORTE.
- APLICAR UNICAMENTE LA PRESION LATERAL NECESARIA PARA SEGUIR LA LINEA DE CORTE.

OPERATING INSTRUCTIONS

BEFORE STARTING ENGINE:

- USE CORRECT DIAMOND OR ABRASIVE BLADE FOR CUTTING CONDITIONS.
- ENSURE FLANGES AND BLADE MOUNT ARE CLEAN AND UNDAMAGED.
- MOUNT BLADE AND TIGHTEN SECURELY.
- CHECK WATER JETS FOR ADEQUATE FLOW.
- ON SELF-PROPELLED MODELS, DISENGAGE TRANSMISSION.

TO START SAWING:

- START ENGINE, WARM UP AT HALF THROTTLE. ALL SAWING IS AT FULL THROTTLE.
- ALIGN BLADE WITH CUT. FOR WET CUTTING, OPEN WATER VALVE. LOWER BLADE INTO CUT SLOWLY.
- PUSH THE SAW FORWARD SLOWLY. OR ON SELF-PROPELLED MODELS, PUT IN NEUTRAL, ENGAGE TRANSMISSION AND MOVE TRANSMISSION LEVER SLOWLY TO FORWARD POSITION.
- CUT AS FAST AS BLADE WILL ALLOW. IF BLADE CLIMBS OUT OF CUT, REDUCE FORWARD SPEED OR CUTTING DEPTH.
- USE ONLY ENOUGH SIDE PRESSURE ON SAW HANDLES TO FOLLOW THE CUTTING LINE.

DIAMOND PRODUCTS CORE CUT CC1800XL

1-800-321-5336

WARNING / ADVERTENCIA

READ INSTRUCTIONS CAREFULLY BEFORE USING. (LEA LAS INSTRUCCIONES DE USO CUIDADOSAMENTE ANTES DE USAR.)

DO NOT OPERATE WITHOUT PROTECTIVE EQUIPMENT. (NO OPERAR SIN EQUIPO DE PROTECCION.)

NEVER USE FOR PURPOSES NOT INTENDED. (NUNCA USAR PARA UN FIN QUE NO SEA EL INTENDIDO.)

KEEP CHILDREN OFF. (MANTENGA A LOS NIÑOS FUERA.)

NEVER USE FOR PURPOSES NOT INTENDED. (NUNCA USAR PARA UN FIN QUE NO SEA EL INTENDIDO.)

WARNING / ADVERTENCIA

DO NOT OPERATE WITHOUT PROTECTIVE EQUIPMENT. (NO OPERAR SIN EQUIPO DE PROTECCION.)

NEVER USE FOR PURPOSES NOT INTENDED. (NUNCA USAR PARA UN FIN QUE NO SEA EL INTENDIDO.)

KEEP CHILDREN OFF. (MANTENGA A LOS NIÑOS FUERA.)

NEVER USE FOR PURPOSES NOT INTENDED. (NUNCA USAR PARA UN FIN QUE NO SEA EL INTENDIDO.)

1801379 Rev 2

DIS-ENGAGE / DES-ENGAJE

WATER PUMP / BOMBA DE AGUA

WATER / AGUA

OFF

ON

ENGAGE / CONECTADA

CC1800XL Operating Decal, #1801379

EQUIPMENT AND PARTS WARRANTY

Diamond Products warrants all equipment manufactured by it against defects in workmanship or materials for a period of one (1) year from the date of shipment to Customer.

The responsibility of Diamond Products under this Warranty is limited to replacement or repair of defective parts at Diamond Products' Elyria, Ohio factory, or at a point designated by it, of such parts as shall appear to us upon inspection at such parts, to have been defective in material or workmanship, with expense for transportation and labor borne by Customer.

In no event shall Diamond Products be liable for consequential or incidental damages arising out of the failure of any Product to operate properly.

Integral units such as engines, electric motors, batteries, transmissions, etc., are excluded from this Warranty and are subject to the prime manufacturer's warranty.

THIS WARRANTY IS IN LIEU OF ALL OTHER WARRANTIES, EXPRESSED OR IMPLIED, AND ALL SUCH OTHER WARRANTIES ARE HEREBY DISCLAIMED.



333 Prospect Street, Elyria, Ohio 44035
(440) 323-4616 • (800) 321-5336 • Fax (800) 634-4035
www.diamondproducts.com