



CONCRETE SAW
PARTS LIST

MODEL
CC1823BVXLP
(Propane)

May 2020

Part # 1803561

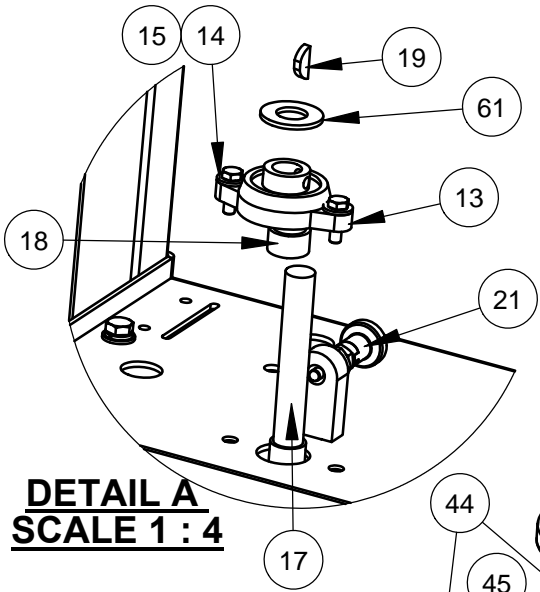
Quick Reference Service Filters/ Belts

<u>DP Part No.</u>	<u>Description</u>	<u>Manufacturer's Part No.</u>
2501184	Air Filter	(Donaldson # P822686)
2703210	Oil Filter	(B&S #842921)
2500036	Blade Shaft Belt (4)	(Gates #3VX355)
2500632	Transmission Belt	(Gates #4L-410)

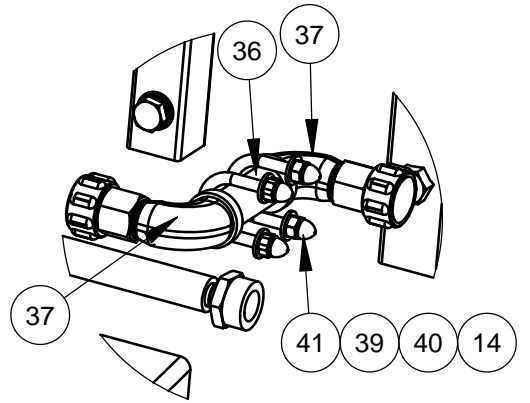
TABLE OF CONTENTS

<u>Description</u>	<u>Page No.</u>
Common Parts.....	4 - 7
Front Axle Assembly	8
Rear Axle Assembly	9
Transmission Assembly	10 - 11
Blade Shaft Assembly.....	12
Pointer Assembly	13
Weight Bar.....	14
Battery Assembly.....	15
Engine Assembly, 23HP Briggs-Vanguard	16-17
Propane Conversion Assembly	18-19
Propane Conversion Kit.....	20
Propane Regulator Assembly.....	21
Tachometer / Hour Meter.....	23
Blade Guard 14"	24
Blade Guard 20"	25
Water Pump Option	26
Brake Option.....	27
Wire Schematic	28
Decals.....	29
Notes	30-31
Warranty.....	Rear Cover

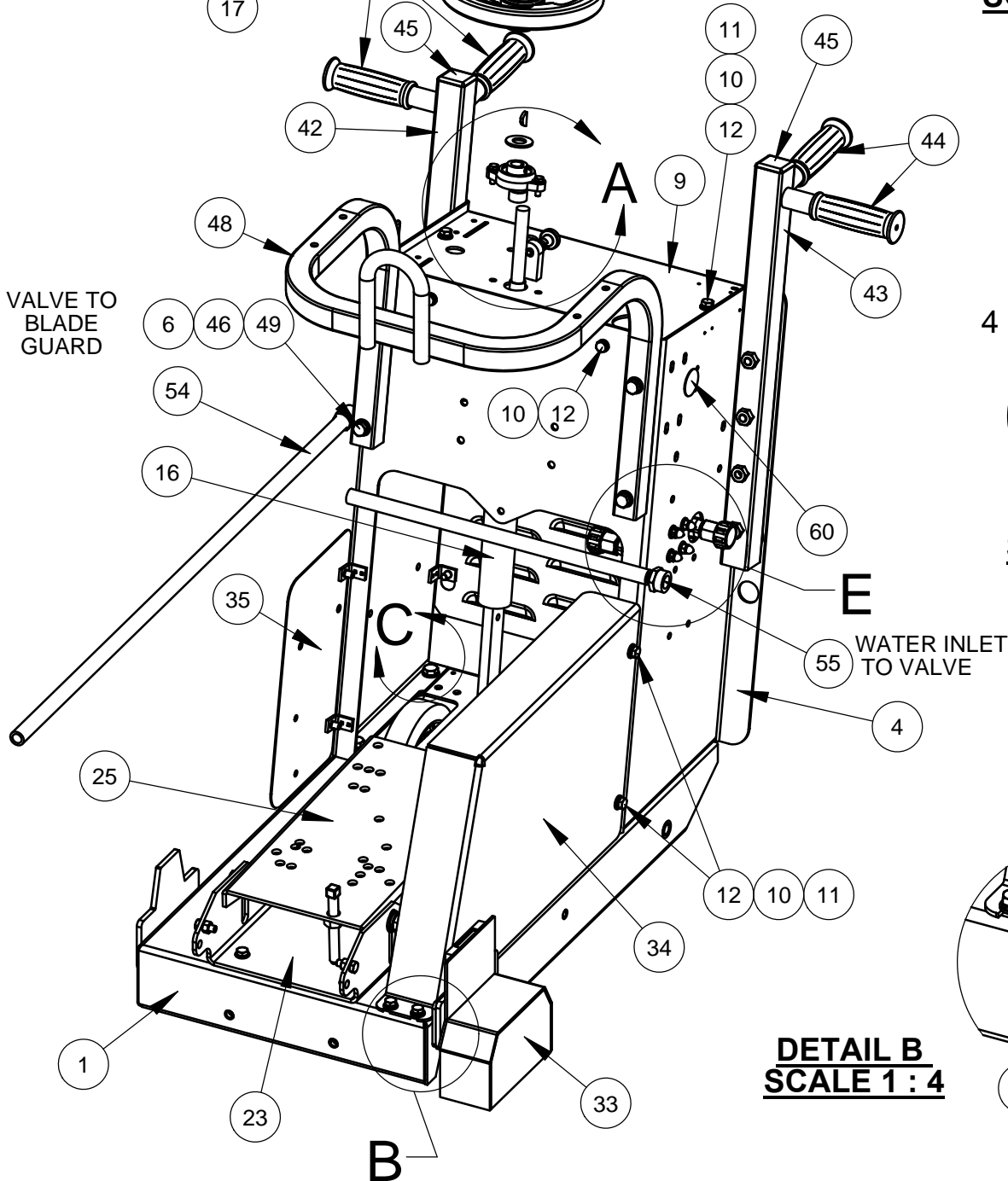
CC1800 XL, Common Parts #6048960



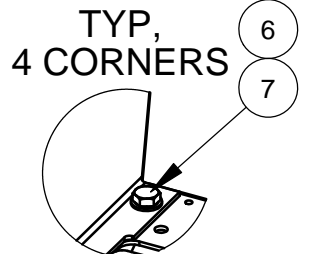
DETAIL A
SCALE 1 : 4



DETAIL E
SCALE 1 : 4

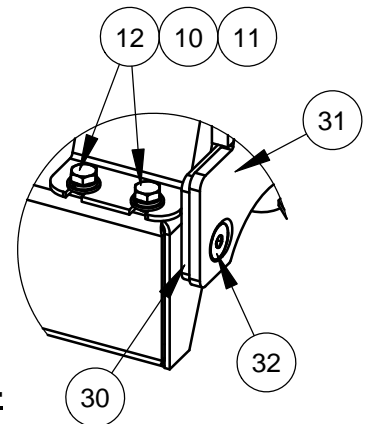


VALVE TO
BLADE
GUARD



TYP,
4 CORNERS
DETAIL C
SCALE 1 : 5

WATER INLET
TO VALVE

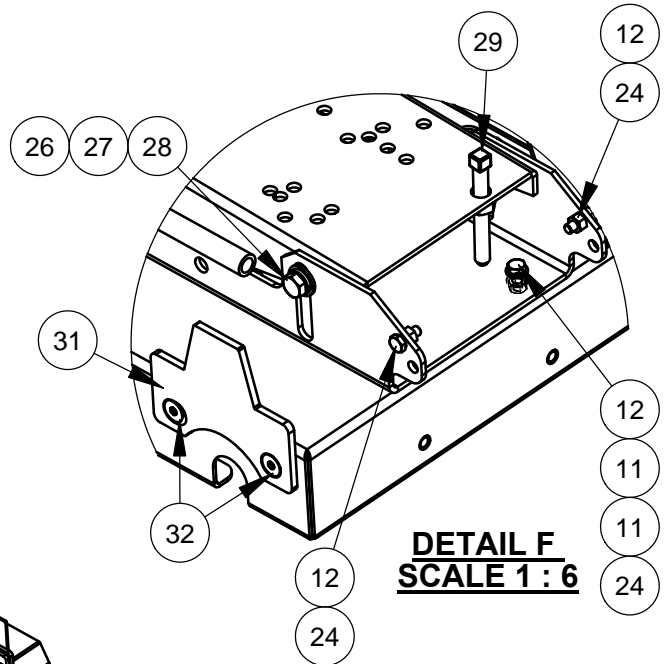
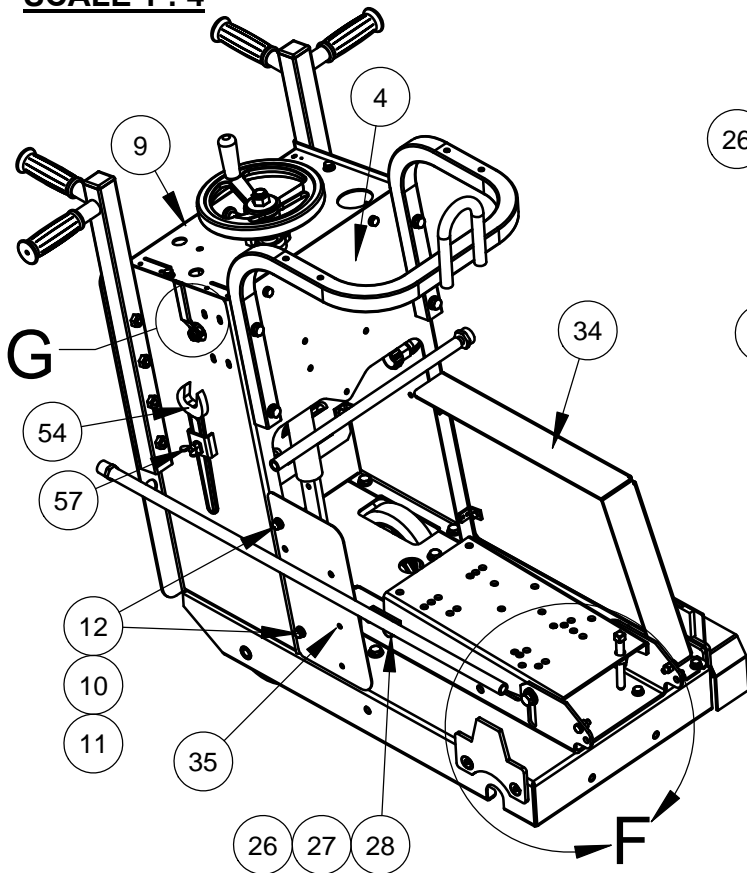
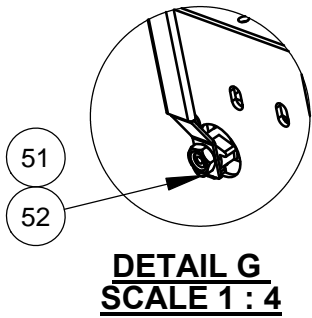
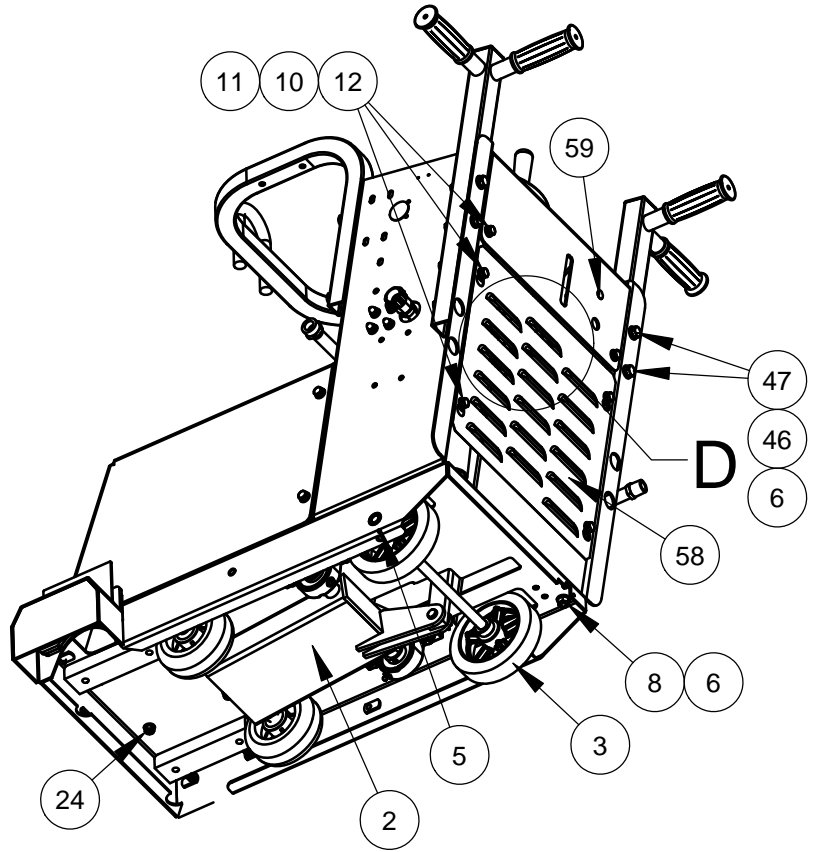
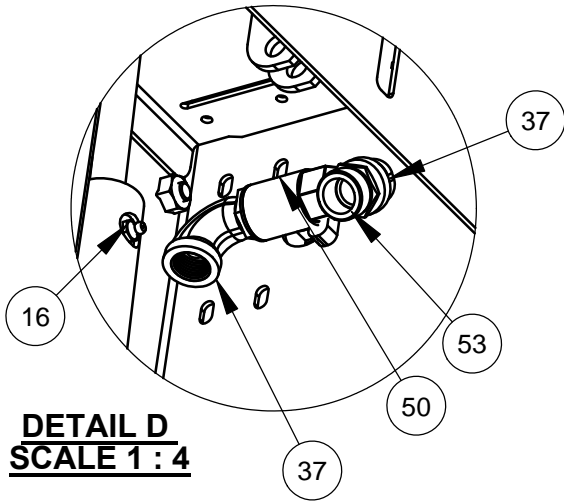


DETAIL B
SCALE 1 : 4

CC1800 XL, Common Parts #6048960

ITEM NO.	PART NUMBER	QTY.	DESCRIPTION
1	6048859	1	Frame Weldment, CC1800
2	6048956	1	Axle Assembly
3	6048104	1	Axle Assembly
4	6048331	1	Frame Upright Weldment
5	2900056	2	Set Screw, Soc. Hd., 1/4-20 x 1/4"
6	2900014	16	Flat Washer, 3/8" SAE
7	2900314	4	Cap Screw, Hex Hd., M10-1.5 x 20mm
8	2900304	4	Lock Nut, M10-1.5 Nylon Insert
9	6049044	1	Control Panel Weldment
10	2900031	16	Lock Washer, 5/16" Split
11	2900022	26	Flat Washer, 5/16" SAE
12	2900329	24	Cap Screw, Hex Hd., M8-1.25 x 20mm
13	2500807	1	Bearing, 5/8", Two Bolt Flange
14	2900009	6	Flat Washer, 1/4" SAE
15	2900310	2	Cap Screw, Hex Hd., M6-1.0 x 20mm
16	6047928	1	Adjustment Shaft W/Grease Fitting
17	6047929	1	Adjustment Screw
18	6047931	1	Spacer Tube 7/8 x 1/2
19	2900352	1	Woodruff Key, 5/32 x 3/4, #506
20	2500800	1	Handwheel, 8"
21	2400138	1	Indexing Plunger 1/2-13
22	2900355	1	Lock Nut, 5/8-18, Flex Top
23	6048060	1	Engine Base Mount
24	2900303	8	Lock Nut, M8-1.25 Nylon Insert
25	6048059	1	Engine Base Weldment
26	2900058	4	Flat Washer, 1/2" SAE
27	2900084	4	Lock Washer, 1/2" Split
28	2900330	4	Cap Screw, Hex Hd., M12-1.75 x 30mm
29	2900332	1	Setscrew, Sq. Hd., M12 x 100mm
30	6048915	1	Tapered Guard Mount Spacer
31	6048908	2	Tapered Guard Mount
32	2900744	4	Capscrew, Flat Hd., M10 x 25mm
33	6048906	1	Shaft Guard
34	6048329	1	Belt Guard
35	6048328	1	Slurry Shield
36	3201737	1	1/2" NPT x 3", Nipple
37	3200013	4	Street Elbow, 1/2" NPT
38	3200022	2	Fitting, 1/2" F. Pipe to 3/4" F. Garden
39	2900241	2	U-Bolt, 3/4" Pipe
40	2900125	4	Hex Nut, 1/4-20
41	2900827	4	Acorn Nut, High Crown, 1/4-20
42	6048601	1	Handlebar
43	6048602	1	Handlebar
44	2500636	4	Handle Grip
45	2503925	2	Cap, 1-1/2" Sq. Tube
46	2900321	8	Lock Washer, M10 Split
47	2901348	4	Cap Screw, Hex Hd., M10 x 55mm
48	6048632	1	Lift Bar Assembly
49	2900318	4	Cap Screw, Hex Hd., M10-1.5 x 50mm
50	3200026	1	Water Valve, 1/2" FPT
51	2900038	2	Lock Washer, #10 Split
52	2900021	2	Machine Screw, Pan Hd., #10-24 x 3/8"
53	3200155	1	Fitting, 1/2" M. Pipe to 3/4" M. Garden
54	2500256	1	Wrench Head
55	6048919	1	Hose Assy., 1/2 x 35.6", Water
56	6048918	1	Hose Assy., 1/2 x 18-1/2", Water
57	2900307	1	Wing Screw, M6 x 16mm
58	6048063	1	Rear Cover Screen
59	2500204	1	Plug, 1/2" Hole
60	2501146	1	Plug, 1-1/4" Hole
61	2900002	1	Flat Washer, 5/8" SAE

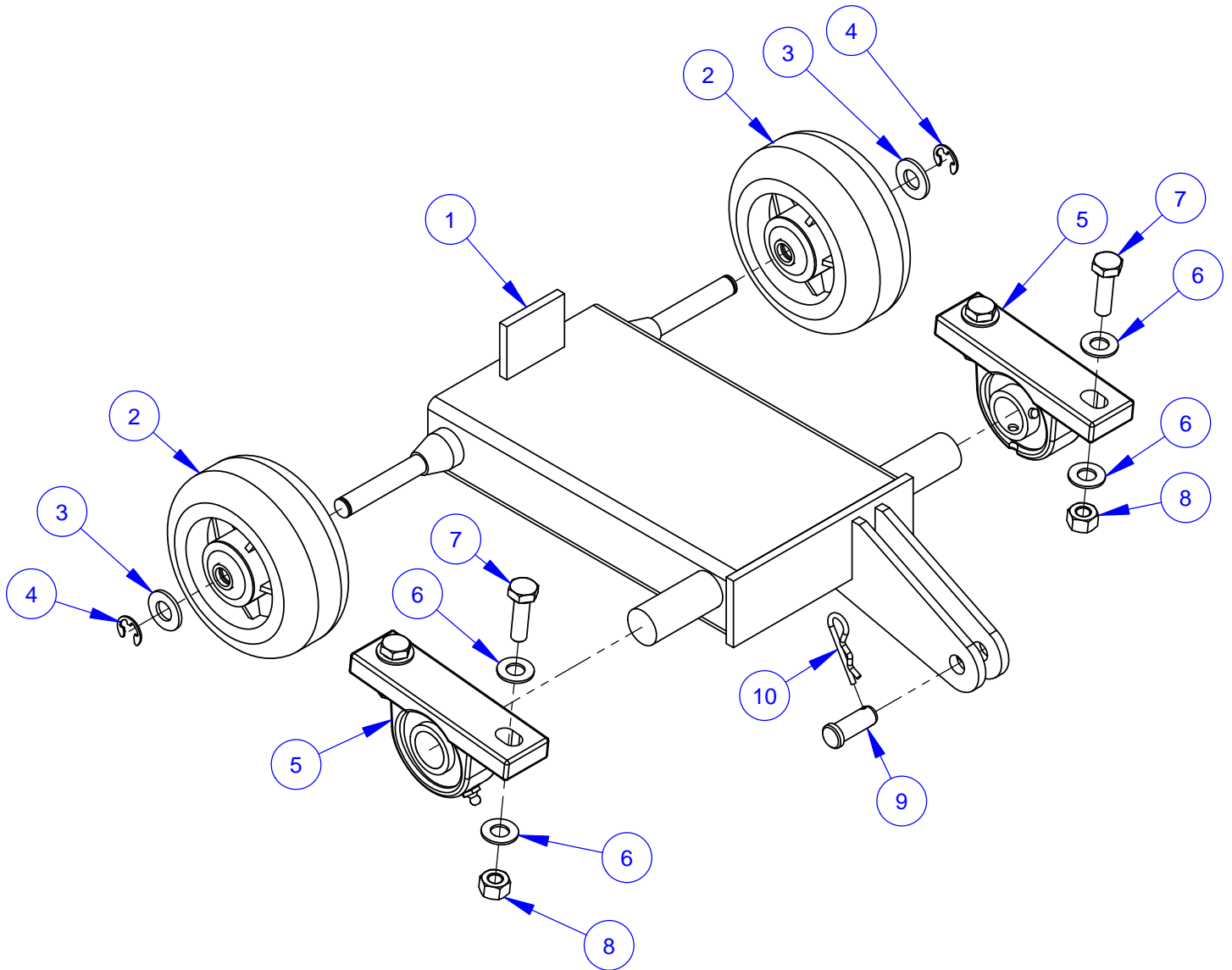
CC1800 XL, Common Parts #6048960



CC1800 XL, Common Parts #6048960

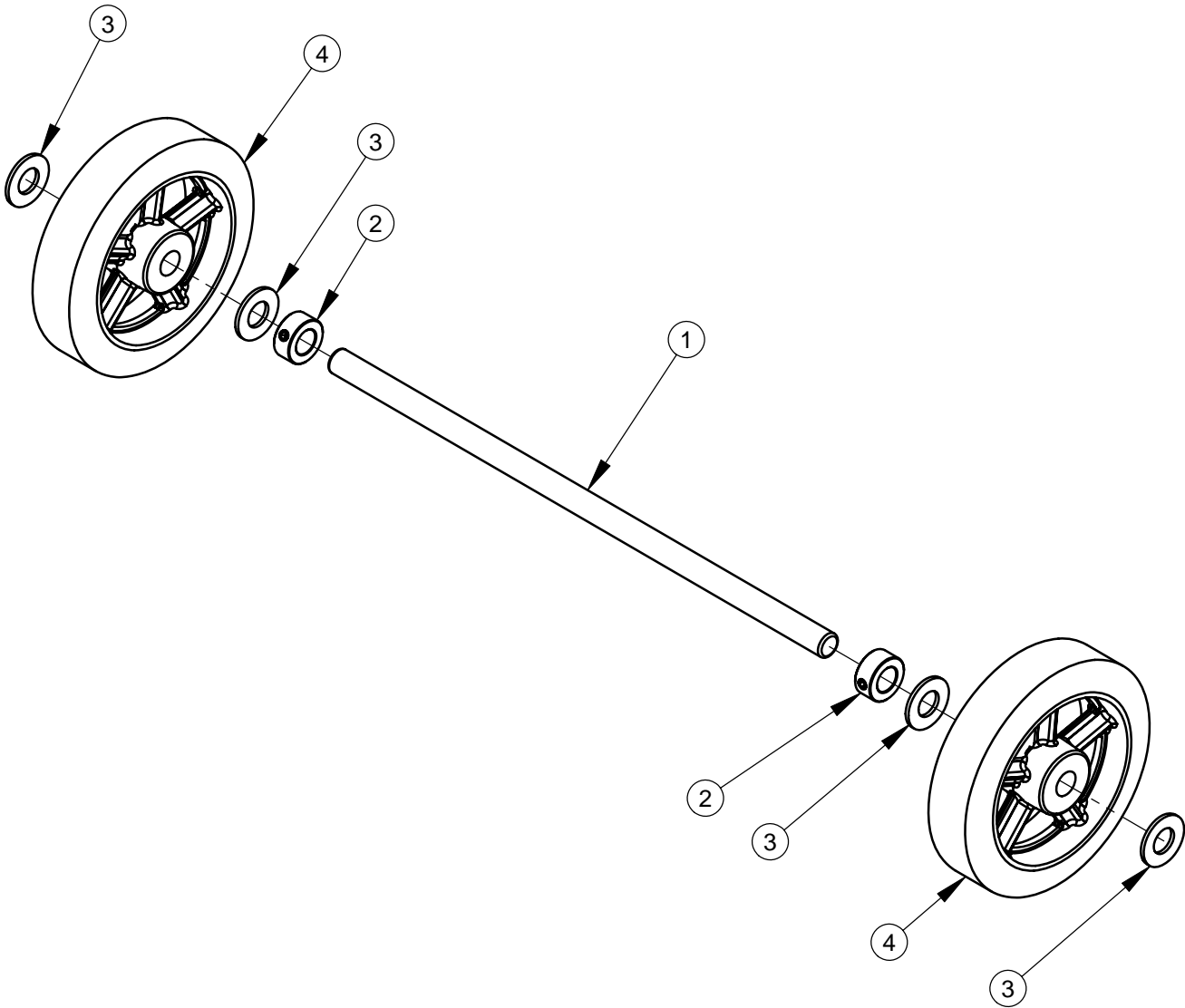
ITEM NO.	PART NUMBER	QTY.	DESCRIPTION
1	6048859	1	Frame Weldment, CC1800
2	6048956	1	Axle Assembly
3	6048104	1	Axle Assembly
4	6048331	1	Frame Upright Weldment
5	2900056	2	Set Screw, Soc. Hd., 1/4-20 x 1/4"
6	2900014	16	Flat Washer, 3/8" SAE
7	2900314	4	Cap Screw, Hex Hd., M10-1.5 x 20mm
8	2900304	4	Lock Nut, M10-1.5 Nylon Insert
9	6049044	1	Control Panel Weldment
10	2900031	16	Lock Washer, 5/16" Split
11	2900022	26	Flat Washer, 5/16" SAE
12	2900329	24	Cap Screw, Hex Hd., M8-1.25 x 20mm
13	2500807	1	Bearing, 5/8", Two Bolt Flange
14	2900009	6	Flat Washer, 1/4" SAE
15	2900310	2	Cap Screw, Hex Hd., M6-1.0 x 20mm
16	6047928	1	Adjustment Shaft W/Grease Fitting
17	6047929	1	Adjustment Screw
18	6047931	1	Spacer Tube 7/8 x 1/2
19	2900352	1	Woodruff Key, 5/32 x 3/4, #506
20	2500800	1	Handwheel, 8"
21	2400138	1	Indexing Plunger 1/2-13
22	2900355	1	Lock Nut, 5/8-18, Flex Top
23	6048060	1	Engine Base Mount
24	2900303	8	Lock Nut, M8-1.25 Nylon Insert
25	6048059	1	Engine Base Weldment
26	2900058	4	Flat Washer, 1/2" SAE
27	2900084	4	Lock Washer, 1/2" Split
28	2900330	4	Cap Screw, Hex Hd., M12-1.75 x 30mm
29	2900332	1	Setscrew, Sq. Hd., M12 x 100mm
30	6048915	1	Tapered Guard Mount Spacer
31	6048908	2	Tapered Guard Mount
32	2900744	4	Capscrew, Flat Hd., M10 x 25mm
33	6048906	1	Shaft Guard
34	6048329	1	Belt Guard
35	6048328	1	Slurry Shield
36	3201737	1	1/2" NPT x 3", Nipple
37	3200013	4	Street Elbow, 1/2" NPT
38	3200022	2	Fitting, 1/2" F. Pipe to 3/4" F. Garden
39	2900241	2	U-Bolt, 3/4" Pipe
40	2900125	4	Hex Nut, 1/4-20
41	2900827	4	Acorn Nut, High Crown, 1/4-20
42	6048601	1	Handlebar
43	6048602	1	Handlebar
44	2500636	4	Handle Grip
45	2503925	2	Cap, 1-1/2" Sq. Tube
46	2900321	8	Lock Washer, M10 Split
47	2901348	4	Cap Screw, Hex Hd., M10 x 55mm
48	6048632	1	Lift Bar Assembly
49	2900318	4	Cap Screw, Hex Hd., M10-1.5 x 50mm
50	3200026	1	Water Valve, 1/2" FPT
51	2900038	2	Lock Washer, #10 Split
52	2900021	2	Machine Screw, Pan Hd., #10-24 x 3/8"
53	3200155	1	Fitting, 1/2" M. Pipe to 3/4" M. Garden
54	2500256	1	Wrench Head
55	6048919	1	Hose Assy., 1/2 x 35.6", Water
56	6048918	1	Hose Assy., 1/2 x 18-1/2", Water
57	2900307	1	Wing Screw, M6 x 16mm
58	6048063	1	Rear Cover Screen
59	2500204	1	Plug, 1/2" Hole
60	2501146	1	Plug, 1-1/4" Hole
61	2900002	1	Flat Washer, 5/8" SAE

Front Axle Assembly #6048956



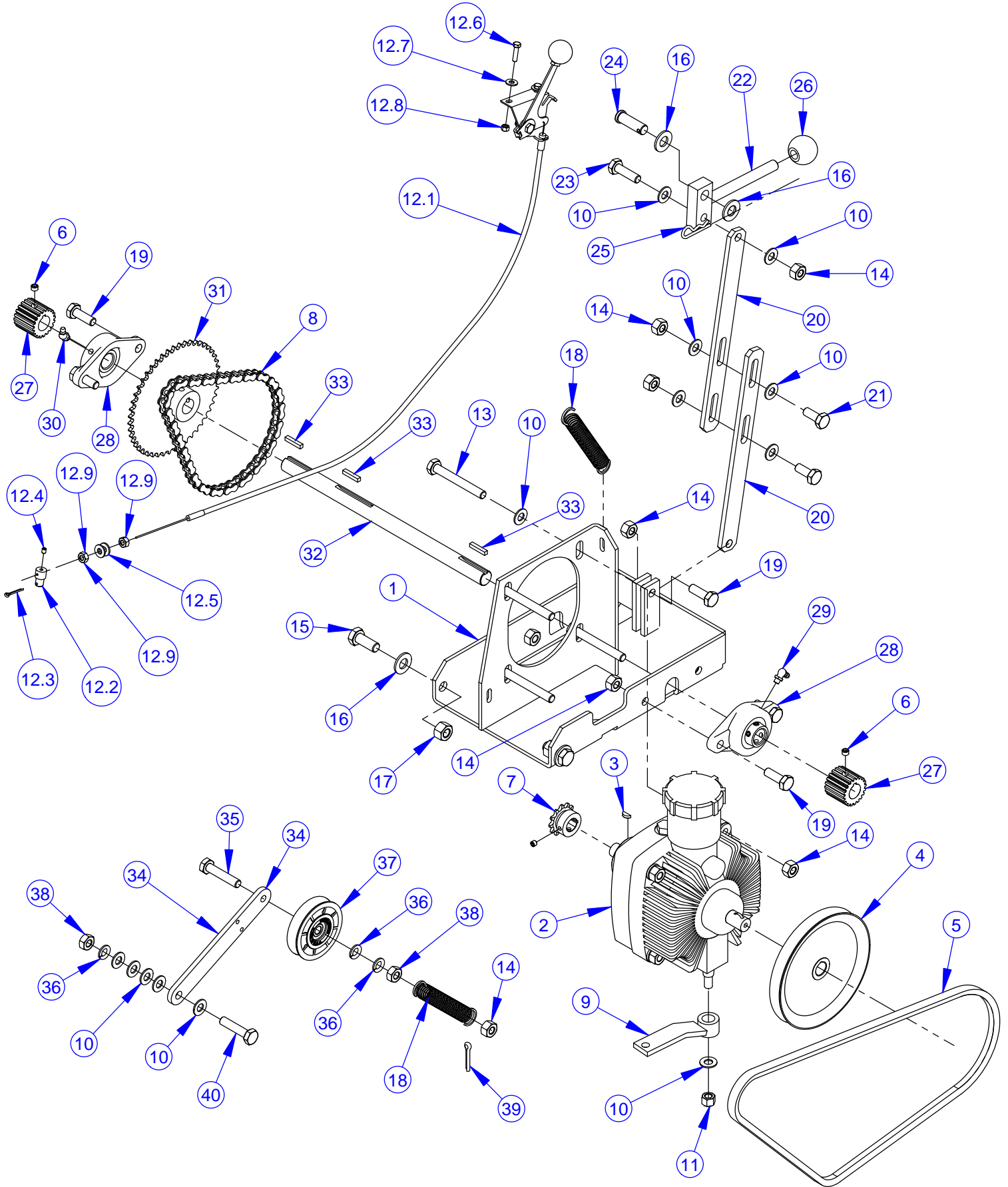
ITEM	PART NO.	QTY.	DESCRIPTION
1	6048635	1	Axle Weldment
2	2502194	2	Wheel
3	2900058	2	Flat Washer, 1/2" SAE
4	2503700	2	Retaining Ring, 1/2" External E-Type
5	2500013	2	Bearing, 1" Pillowblock
6	2900956	8	Flat Washer, 7/16" SAE
7	2900315	4	Cap Screw, Hex Hd., M10-1.5 x 35mm
8	2900304	4	Lock Nut, M10-1.5 Nylon Insert
9	2900266	1	Clevis Pin, 1/2" x 1-1/4"
10	2900276	1	Hairpin Cotter

Rear Axle Assembly #6048104



ITEM	PART NO.	QTY.	DESCRIPTION
1	6048105	1	Rear Axle
2	2500008	2	Set Collar, 5/8" with Set Screw
3	2900002	4	Flat Washer, 5/8" SAE
4	2500003	2	Wheel 6" x 1-1/2" x 5/8"

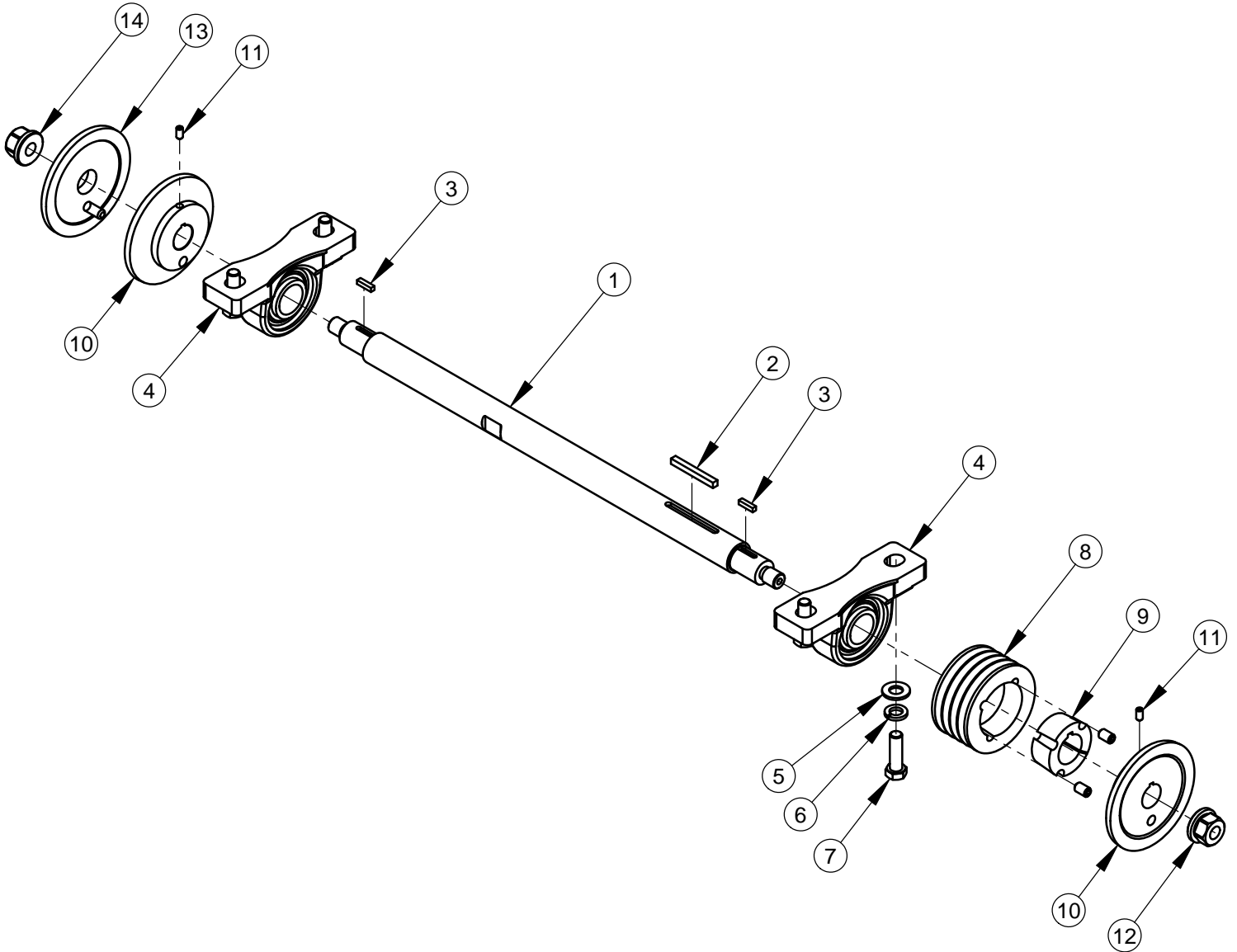
Transmission Assembly #6048108



Transmission Assembly #6048108

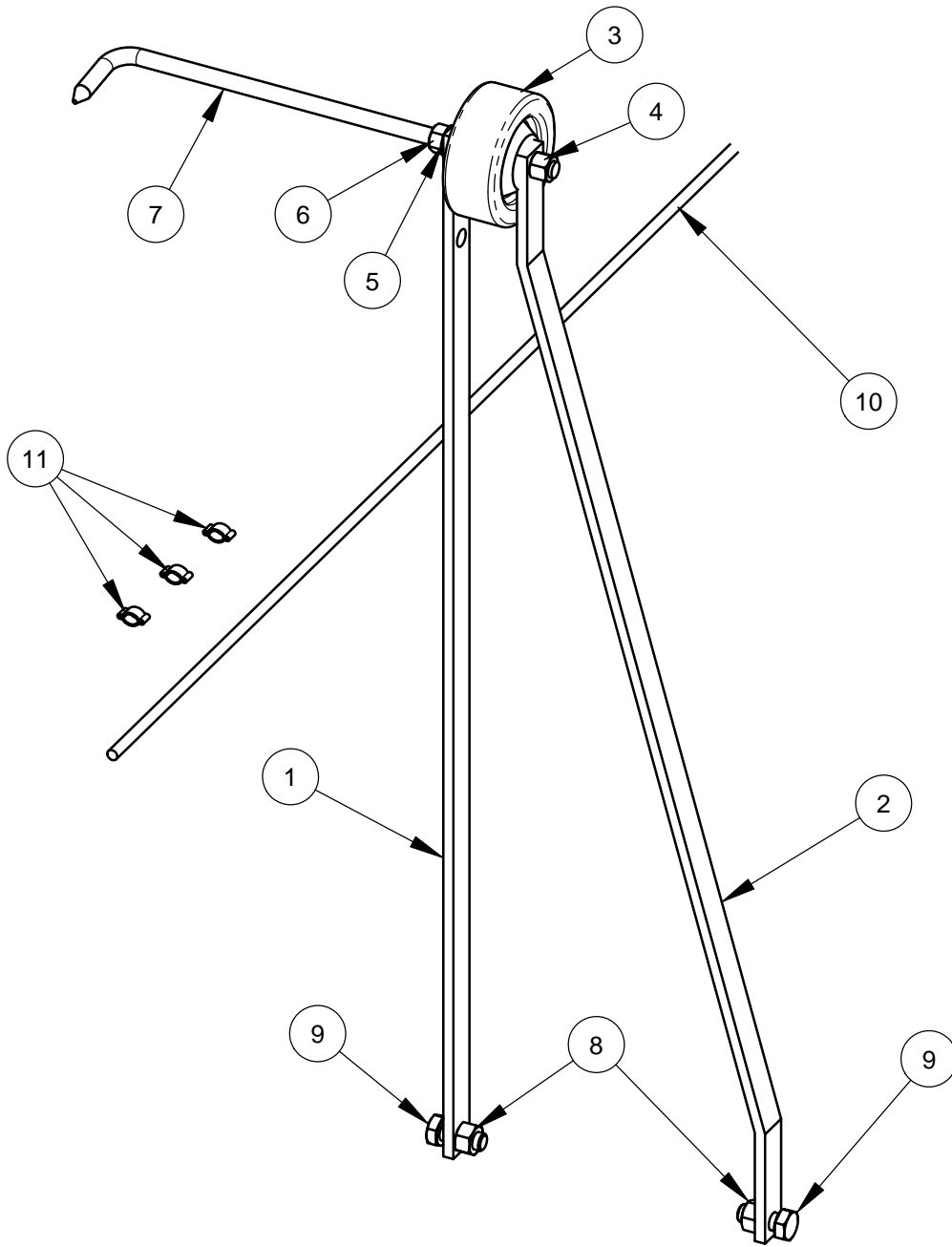
ITEM	PART NO.	QTY.	DESCRIPTION
1	6048066	1	Transmission Platform Weldment
2	2600015	1	Eaton 6 Transmission
3	2900068	2	Woodruff Key #404, 1/8" W x 1/2" Dia.
4	2500016	1	Pulley, 6"
5	2500632 2500635 2500033	1	V-Belt, 4L-410 (16BV, 20BV, 20H) V-Belt, 4L-420 (7.5E, 10E) V-Belt, 4L-430 (13BV, 13H)
6	2900036	2	Set Screw, Soc. Hd., 5/16-18 x 1/4"
7	2500017	1	Sprocket, 12 Teeth W/ 1/4 Setscrew
8	6048232	1	Chain, #35 x 63 Pitch
9	6048211	1	Shift Lever
10	2900014	16	Flat Washer, 3/8" SAE
11	2900018	1	Locknut, 3/8-16, Nylon
12	6048106	1	Transmission Speed Control Assembly
12.1	2500076	1	Transmission Speed Control Lever w/ Cable
12.2	6048212	1	Pivot Pin
12.3	2900034	1	Cotter Pin, 3/32" x 3/4"
12.4	2900059	1	Set Screw, Soc. Hd., #10-32 x 1/4"
12.5	2900009	2	Flat Washer, 1/4" SAE
12.6	2900309	2	Cap Screw, Hex Hd., M5-0.8 x 20mm
12.7	2900016	2	Flat Washer, #10 USS
12.8	2900301	2	Lock Nut, M5-0.8 Nylon Insert
12.9	2900186	2	Hex Nut, 1/4-28
13	2900319	4	Cap Screw, Hex Hd., M10-1.5 x 80mm
14	2900304	13	Lock Nut, M10-1.5 Nylon Insert
15	2900330	2	Cap Screw, Hex Hd., M12-1.75 x 30mm
16	2900058	4	Flat Washer, 1/2" SAE
17	2900327	2	Lock Nut, M12-1.75 Nylon Insert
18	2500070	2	Spring, Extension, 3/4 Dia x 4
19	2900223	5	Cap Screw, Hex Hd., M10-1.5 x 30mm
20	6049075	2	Linkage
21	2900333	2	Cap Screw, Hex Hd., M10-1.5 x 25mm
22	6048057	1	Engagement Lever
23	2900315	1	Cap Screw, Hex Hd., M10-1.5 x 35mm
24	2900277	1	Clevis Pin, 1/2" x 1-1/2"
25	2900276	1	Hairpin Cotter
26	2400007	1	Knob, 1/2-20 x 1-3/8" Dia.
27	6048235	2	Wheel Drive
28	2500011	2	Flange Mt. Bearing 3/4"
29	2900061	1	Grease Fitting, 1/4-28 x 90 Degree
30	2900184	1	Grease Fitting, 1/4-28 x 45 degree
31	2500018	1	Sprocket, 48 Teeth w/ Setscrews
32	6048228	1	Drive Shaft
33	6010170	3	Key, 3/16" Sq. x 1"
34	6048085	1	Idler Arm
35	2900337	1	Cap Screw, Hex Hd., M10-1.5 x 50mm, Full Thd.
36	2900321	3	Lock Washer, M10 Split
37	2500074	1	Idler Pulley 3"
38	2900325	2	Hex Nut, M10-1.5
39	2900055	1	Cotter Pin, 3/16" x 1"
40	2900317	1	Cap Screw, Hex Hd., M10-1.5 x 45mm

Blade Shaft Assembly 23HP Briggs Vanguard #6040503



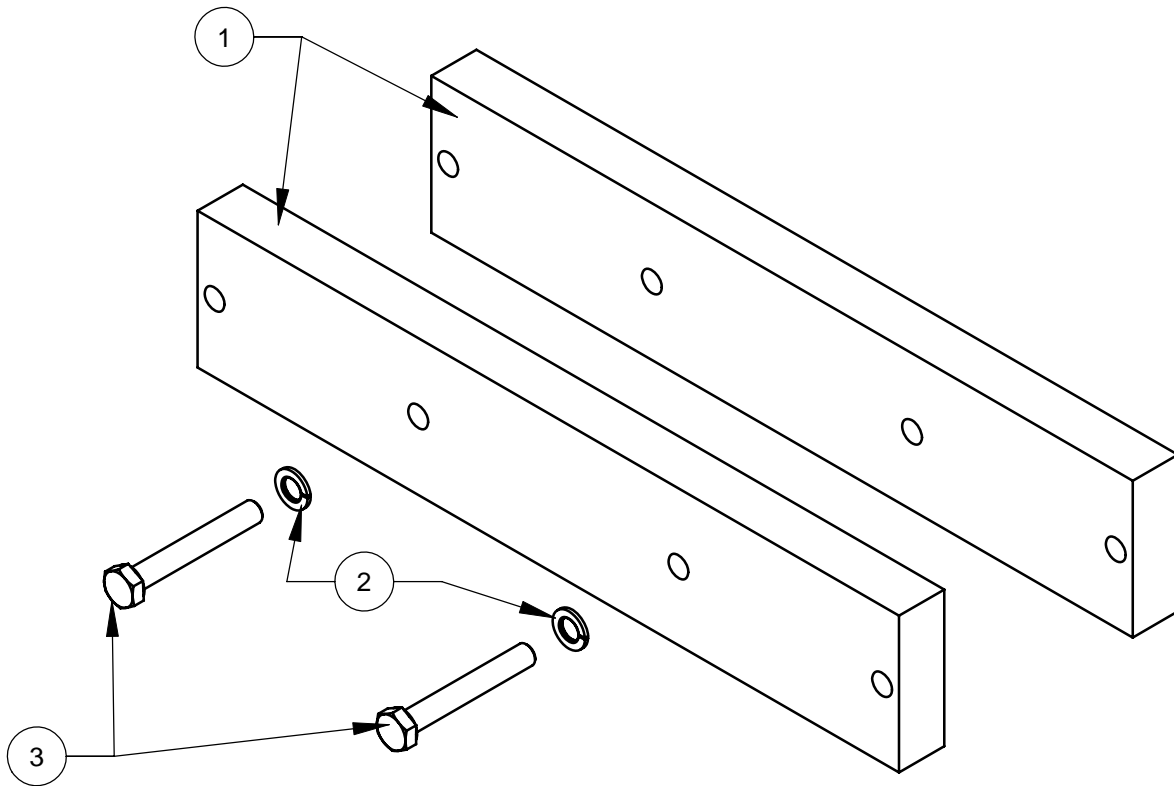
ITEM	PART NO.	QTY.	DESCRIPTION
1	6048865	1	Blade Shaft
2	6048134	1	Key, 1/4" Sq. x 2-1/4"
3	6048018	2	Key, 3/16" Sq. x 3/4"
4	2500365	2	Pillow Block Bearing, 1-1/4"
5	2900058	4	Flat Washer, 1/2" SAE
6	2900084	4	Lock Washer, 1/2" Split
7	2900331	4	Cap Screw, Hex Hd., M12-1.75 x 40mm
8	2500621	1	Sheave, 3V-3.65-4 Groove (1610)
9	2500337	1	Taper Bushing, 1-1/4"
10	6048008	2	Inner Flange 4-1/2"
11	2900076	2	Set Screw, Soc. Hd., 1/4-20 x 1/2"
12	2900065	1	Flange Nut, 5/8-11 R.H.
13	6048009	1	Outer Flange, 4-1/2" w/ Pin
14	2900066	1	Flange Nut, 5/8-11, L. Hand

Front Pointer Assembly 23HP
Briggs-Vanguard #6047994



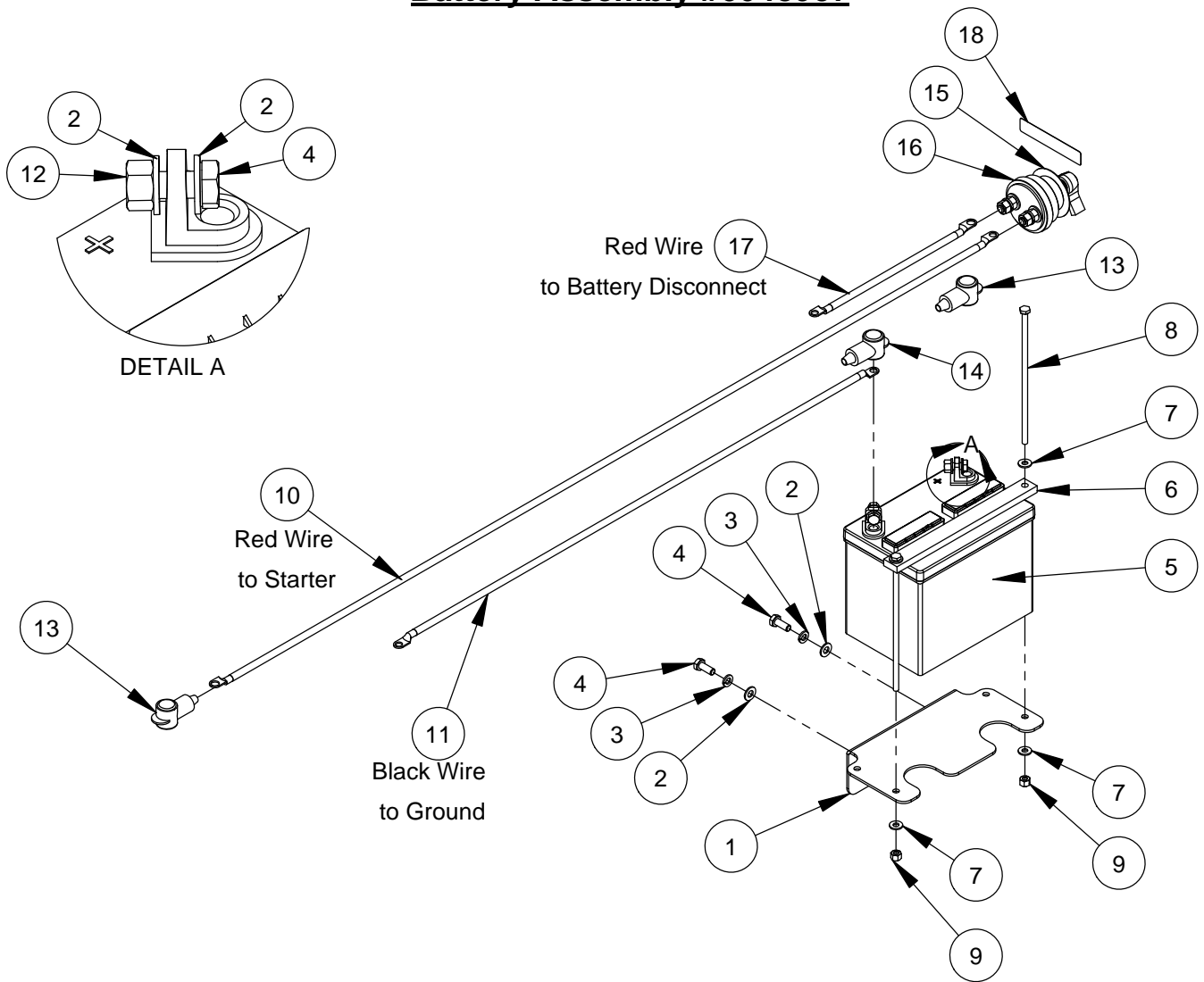
ITEM	PART NO.	QTY.	DESCRIPTION
1	6048069	1	Pointer Bar - Straight
2	6048070	1	Pointer Bar - Offset
3	2500624	1	Wheel, 3"
4	2900018	1	Lock Nut, 3/8-16 Nylon
5	2900321	1	Lock Washer, M10 Split
6	2900033	1	Hex Nut, 3/8-16
7	2900743	1	Pointer Rod, 11"
8	2900304	2	Lock Nut, M10-1.5 Nylon Insert
9	2900333	2	Cap Screw, Hex Hd., M10-1.5 x 25mm
10	6048078	1	Rope, 1/4 x 78"
11	3200221	3	Pinch Clamp, Two Ear

Weight Bar Assembly #6048959



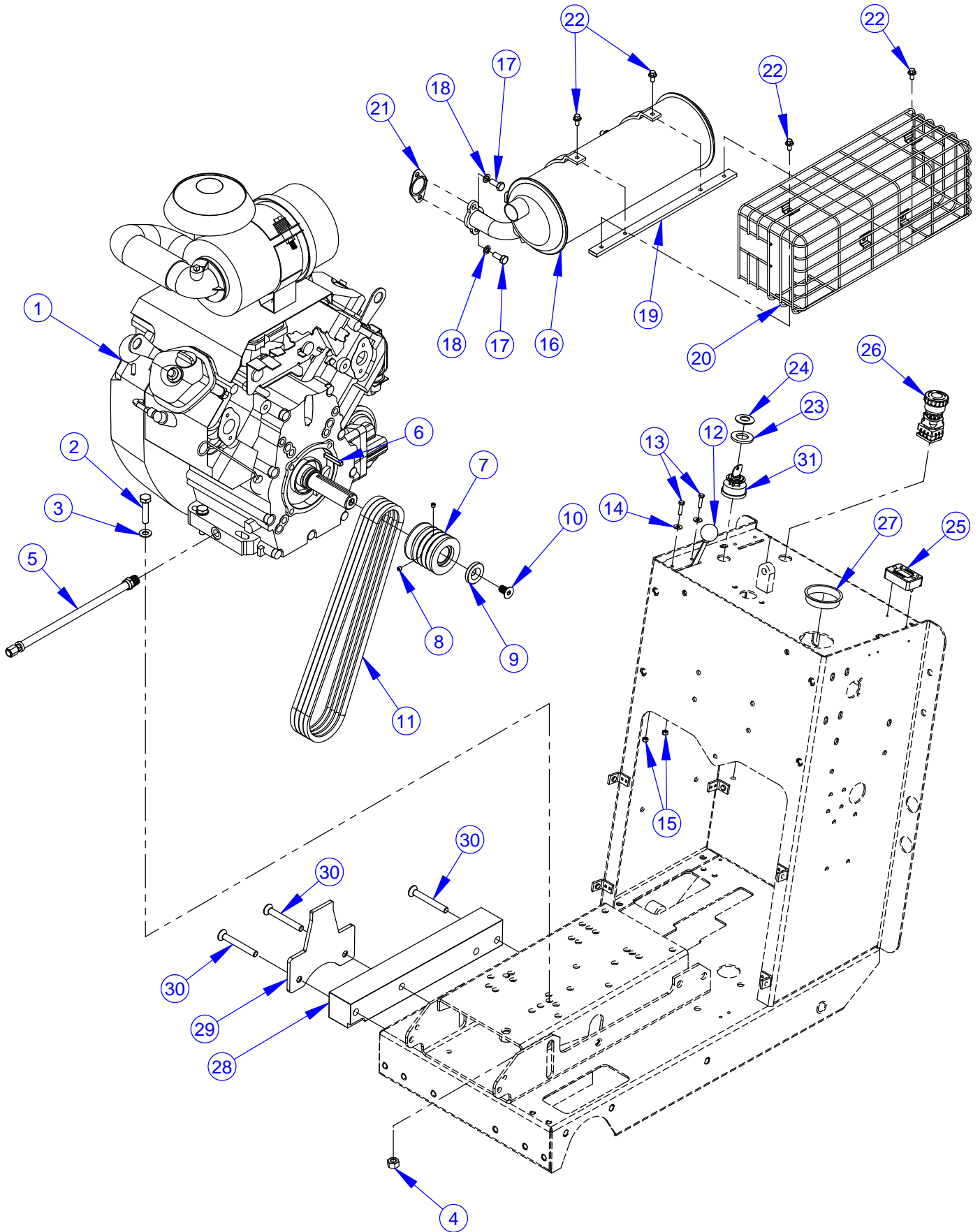
ITEM NO.	PART NUMBER	QTY.	DESCRIPTION
1	6048067	2	Saw Weight, 13 Pound
2	2900321	2	Lock Washer, M10 Split
3	2900334	2	Cap Screw, Hex Hd., M10 x 70mm

Battery Assembly #6048957



ITEM NO.	PART NO.	QTY.	DESCRIPTION
1	6048327	1	Bracket
2	2900022	6	Flat Washer, 5/16" SAE
3	2900031	2	Lock Washer, 5/16" Split
4	2900329	4	Cap Screw, Hex Hd., M8-1.25 x 20mm
5	2500584	1	Battery, 12 Volt Group Size U1
6	4646122	1	BatterySupport
7	2900009	4	Flat Washer, 1/4" SAE
8	2901405	2	Cap Screw, Hex Hd., 1/4-20 x 7-1/2"
9	2900010	2	Lock Nut, 1/4-20 Nylon
10	6048091	1	Battery Cable Assy., Red
11	6048092	1	Battery Cable Assy., Black
12	2900303	2	Lock Nut, M8-1.25 Nylon Insert
13	2800197	2	Battery Boot, Small (Red)
14	2800198	1	Battery Boot, Small (Black)
15	2800566	1	Face Plate, Battery Disconnect
16	2800565	1	Battery Disconnect Switch
17	2800570	1	Battery Cable Assy., Red
18	1800846	1	Label, Battery Disconnect

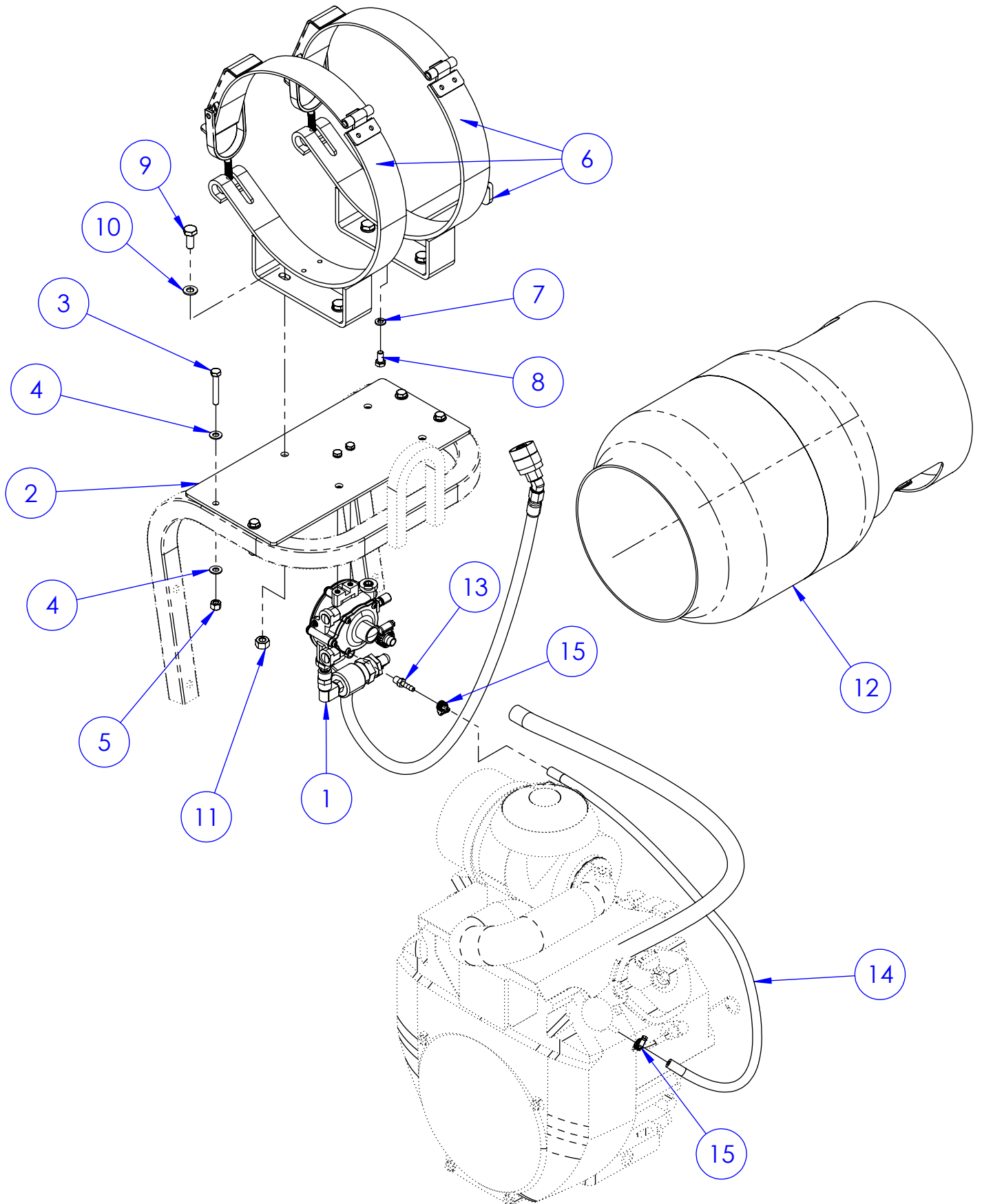
23HP Briggs/Vanguard Propane Engine Assembly #6049162



23HP Briggs/Vanguard Propane Engine Assembly #6049162

ITEM	PART NO.	QTY.	DESCRIPTION
1	2601713	1	Engine, 23HP Briggs-Vanguard
2	2900317	4	Cap Screw, Hex Hd., M10-1.5 x 45mm
3	2900014	4	Flat Washer, 3/8" SAE
4	2900304	4	Lock Nut, M10-1.5 Nylon Insert
5	6048040	1	Oil Drain Hose Assembly, 1/4" x 10"
6	6011772	1	Key, 1/4 X 1/4 X 1.50
7	6044008	1	Sheave, 2.65 X 1.125, 3V-4 / 4L-1 Groove
8	2900056	2	Set Screw, Soc. Hd., 1/4-20 x 1/4"
9	6044009	1	Countersunk Washer
10	2902148	1	Cap Screw, Flat Hd., 7/16-20 X 3/4"
11	2500036	4	V-Belt, 3VX355
12	2500810	1	Throttle Control, 36"
13	2900309	2	Cap Screw, Hex Hd., M5-0.8 x 20mm
14	2900016	2	Flat Washer, #10 USS
15	2900301	2	Lock Nut, M5-0.8 Nylon Insert
16	2706804	1	Muffler, 23 HP Briggs Vanguard
17	2900329	4	Cap Screw, Hex Hd., M8-1.25 x 20mm
18	2900763	4	Lock Washer, M8 Split
19	6048878	1	Muffler Guard Mount
20	2701253	1	Muffler Guard
21	2706805	2	Exhaust Gasket
22	2901370	4	Cap Screw, Hex Flange, M6-1.0 x 12mm
23	2900003	1	Flat Washer, 3/4" SAE
24	2900478	1	Belleville Washer, 5/8"
25	2801502	1	Tach/Hour Meter, W/#6 Screws
26	2801367	1	E-Stop Switch
27	2500631	1	Plug, 2-1/4" Tapered Hole
28	6048319	1	Blade Guard Spacer
29	6049024	1	Tapered Guard Mount
30	2900908	3	Cap Screw, Flat Hd., M10-1.5 x 80mm
31	2702622	1	Ignition Switch w/ Key (Briggs-Vanguard)
32	6043648	1	Wire Harness (Not Shown)

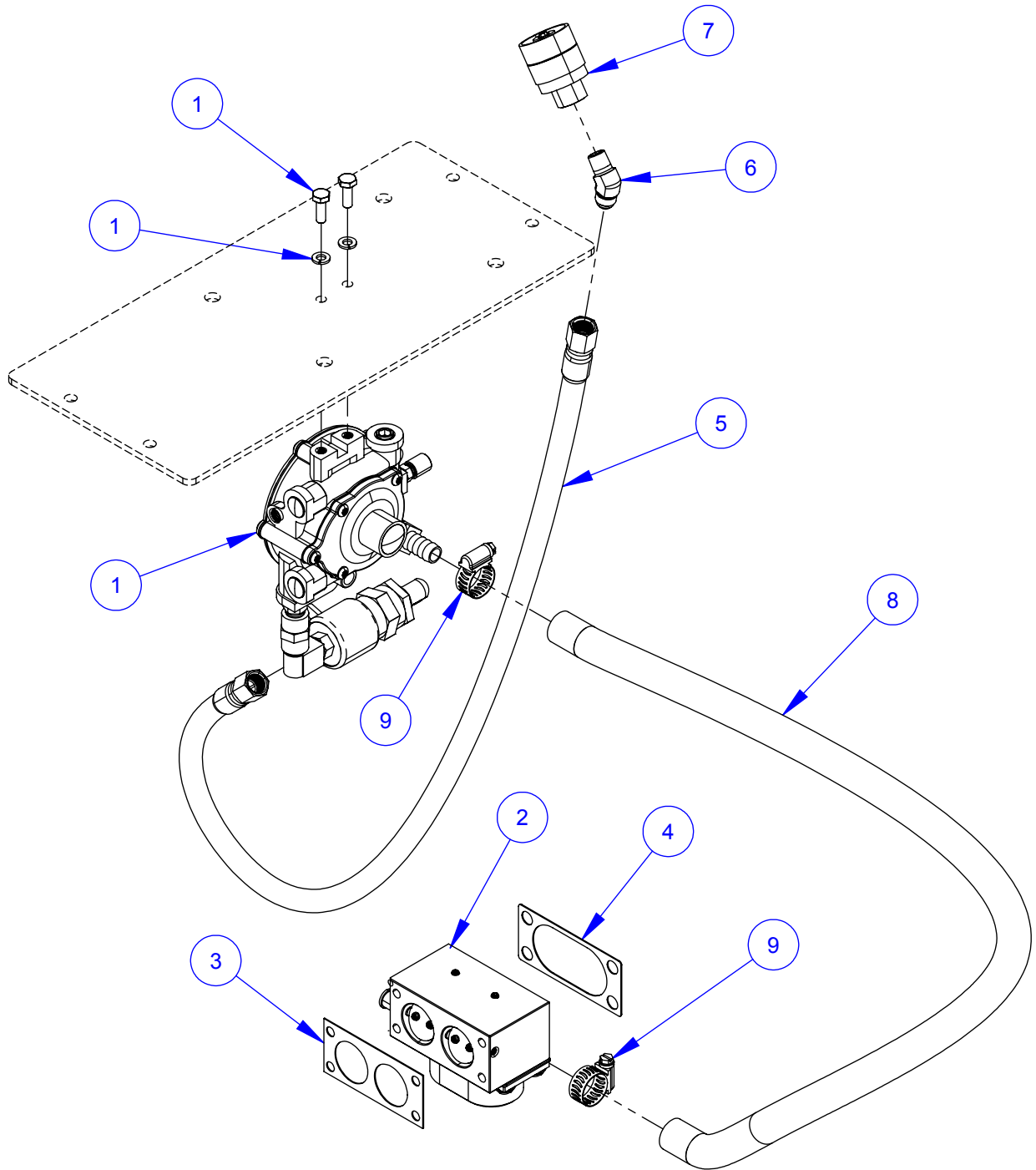
23HP Briggs/Vanguard Propane Conversion Assembly #6011790



23HP Briggs/Vanguard Propane Conversion Assembly #6011790

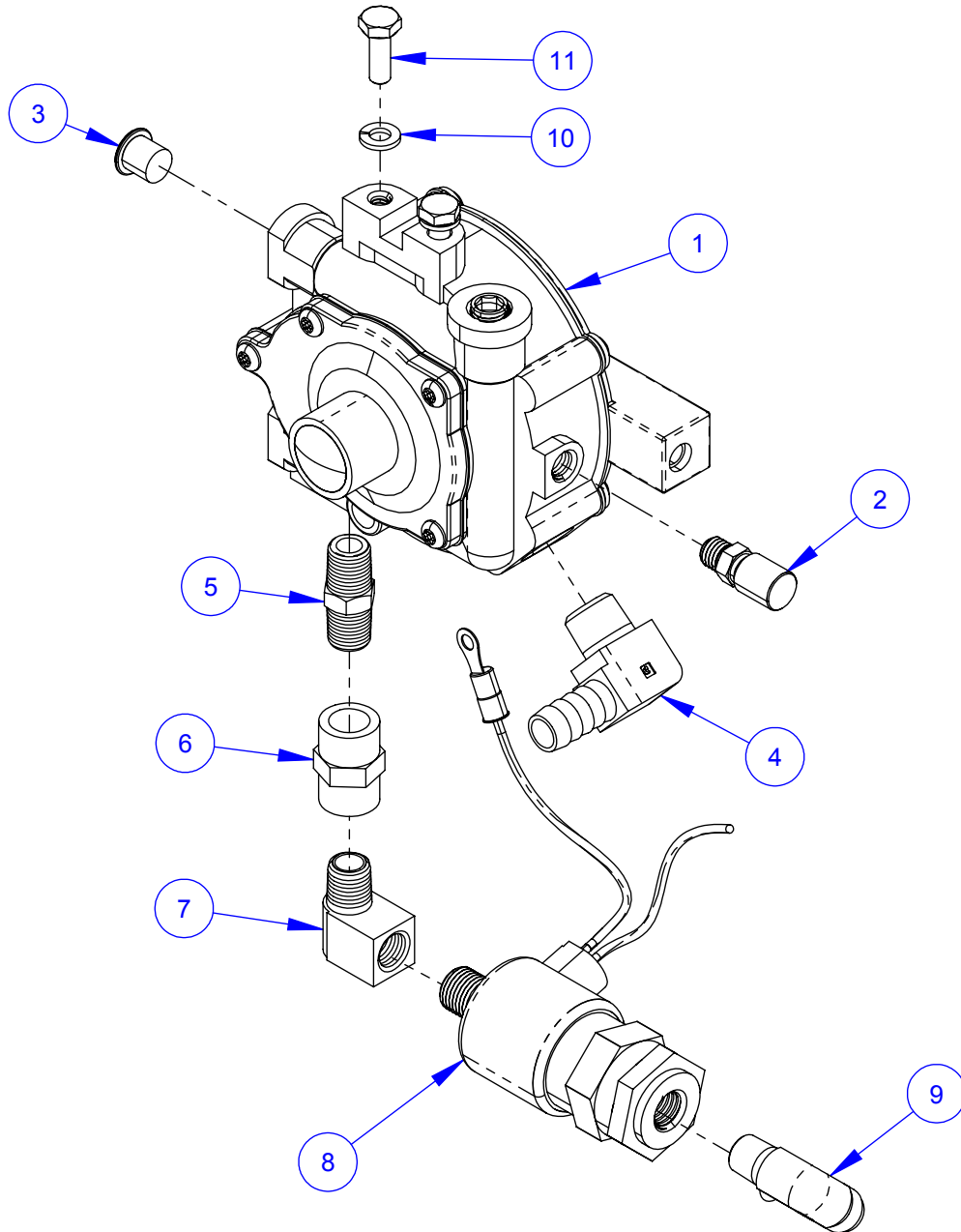
ITEM	PART NO.	QTY.	DESCRIPTION
1	2505288	1	23HP Briggs/Vanguard Propane Conversion Kit
2	6011808	1	Propane Tank Mounting Plate (CC1823)
3	2900494	4	Cap Screw, Hex Hd., 5/16-18 x 2"
4	2900022	8	Flat Washer, 5/16" SAE
5	2900039	4	Lock Nut, 5/16-18 Nylon
6	2505191	1	Propane Tanks Straps w/Pin
7	2900031	2	Lock Washer, 5/16" Split
8	2900883	2	Cap Screw, Hex Hd., 5/16-18 x 5/8"
9	2900333	4	Cap Screw, Hex Hd., M10-1.5 x 25mm
10	2901356	4	Flat Washer, M10
11	2900304	4	Lock Nut, M10-1.5 Nylon Insert
12	2505289	1	20# Propane Tank
13	3200018	1	Fitting, 1/8" M. Pipe to 1/4" Hose Barb
14	6011811	1	Hose, 1/4" I.D. x 28" Long
15	3200062	2	Hose Clamp #4
16	1802722	1	Propane Tank Service Label (Not Shown)
17	6044015	1	Ext. Harness 23HP Briggs (Not Shown)

23HP Briggs/Vanguard Propane Conversion Kit #2505288



ITEM	PART NO.	QTY.	DESCRIPTION
1	2505553	1	Regulator Assembly (Propane)
2	2505295	1	Carburetor Assembly
3	2505322	1	Carburetor Intake Gasket
4	2505323	1	Carburetor Air Cleaner Gasket
5	2505296	1	High Pressure Propane Hose
6	3206433	1	1/4" M.PIPE - 3/8" M.JIC Elbow, 45 Degrees
7	2505298	1	1-1/4 ACME LH X 1/4 NNPT FM Propane
8	2505297	1	5/8 x 30" Fuel Line
9	3200016	2	Hose Clamp #8

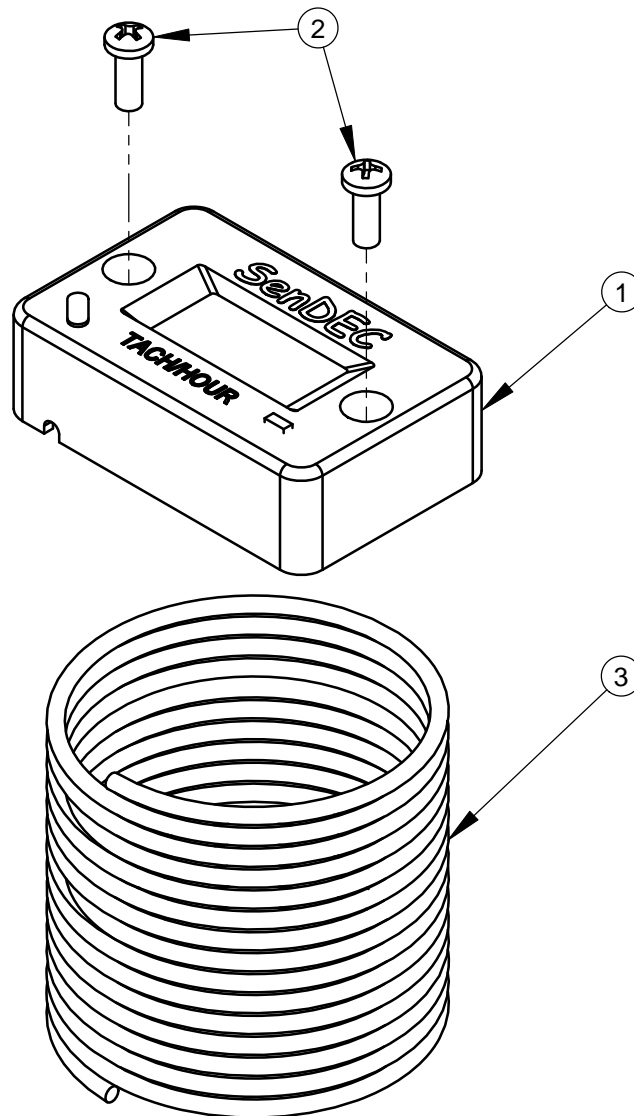
Propane Regulator Assembly #2505553



ITEM	PART NO.	QTY.	DESCRIPTION
1	2505991	1	Propane Regulator
2	2505282	1	Schrader Valve
3	3202948	2	Hole Plug, 7/16" Dia.
4	3201982	1	Elbow, 3/8" M. Pipe to 1/2" Hose Barb
5	3200060	1	Hex Nipple, 1/4" NPT
6	3202794	1	Coupling, 1/4" NPT Brass
7	3200012	1	Street Elbow, 1/4" NPT
8	2505283	1	Valve, Fuel Shut Off
9	3200061	1	1/4" M. Pipe to 3/8" M. JIC, 90° Elbow
10	2900024	2	Lock Washer, 1/4" Split
11	2900144	2	Cap Screw, Hex Hd., 1/4-20 x 3/4"

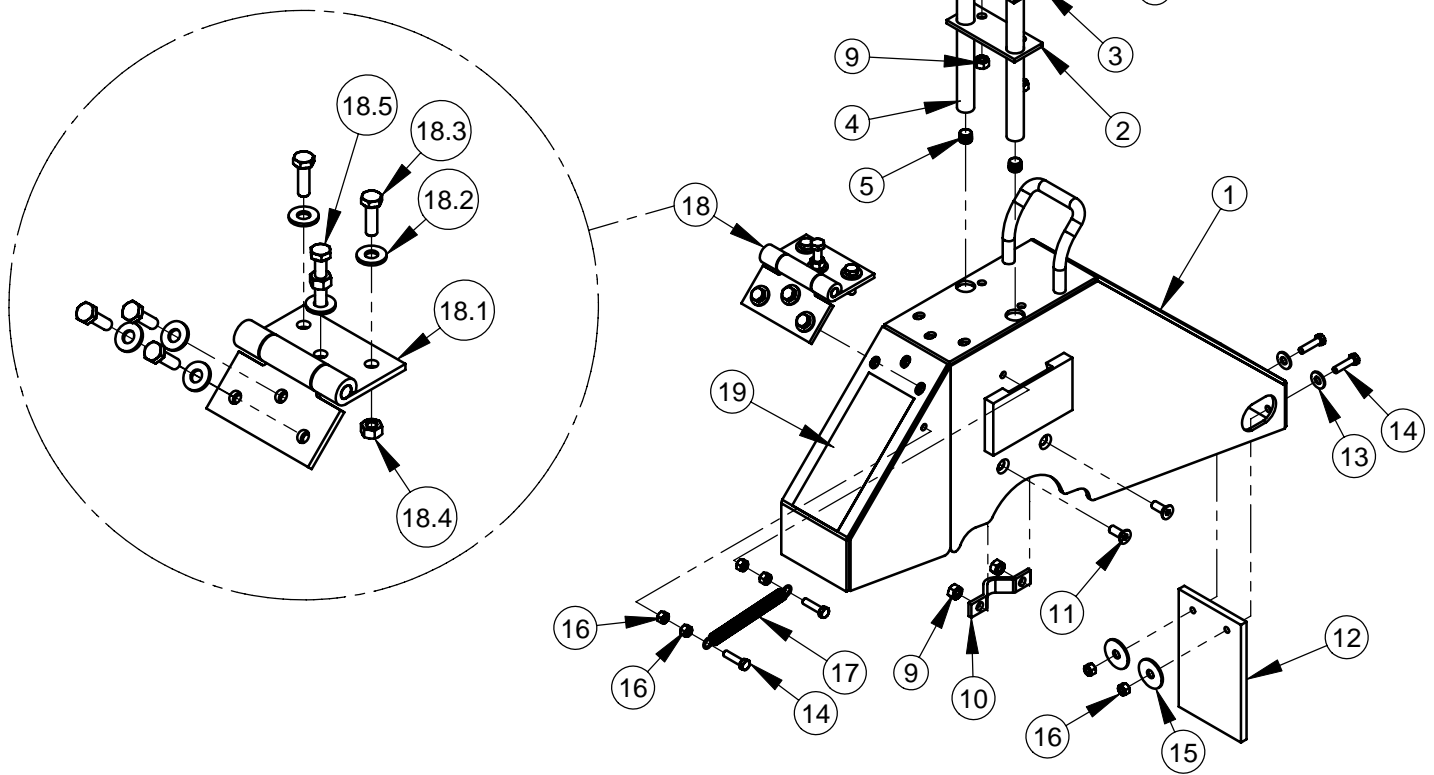
Intentionally Blank

Tach/Hourmeter Assembly #2801502



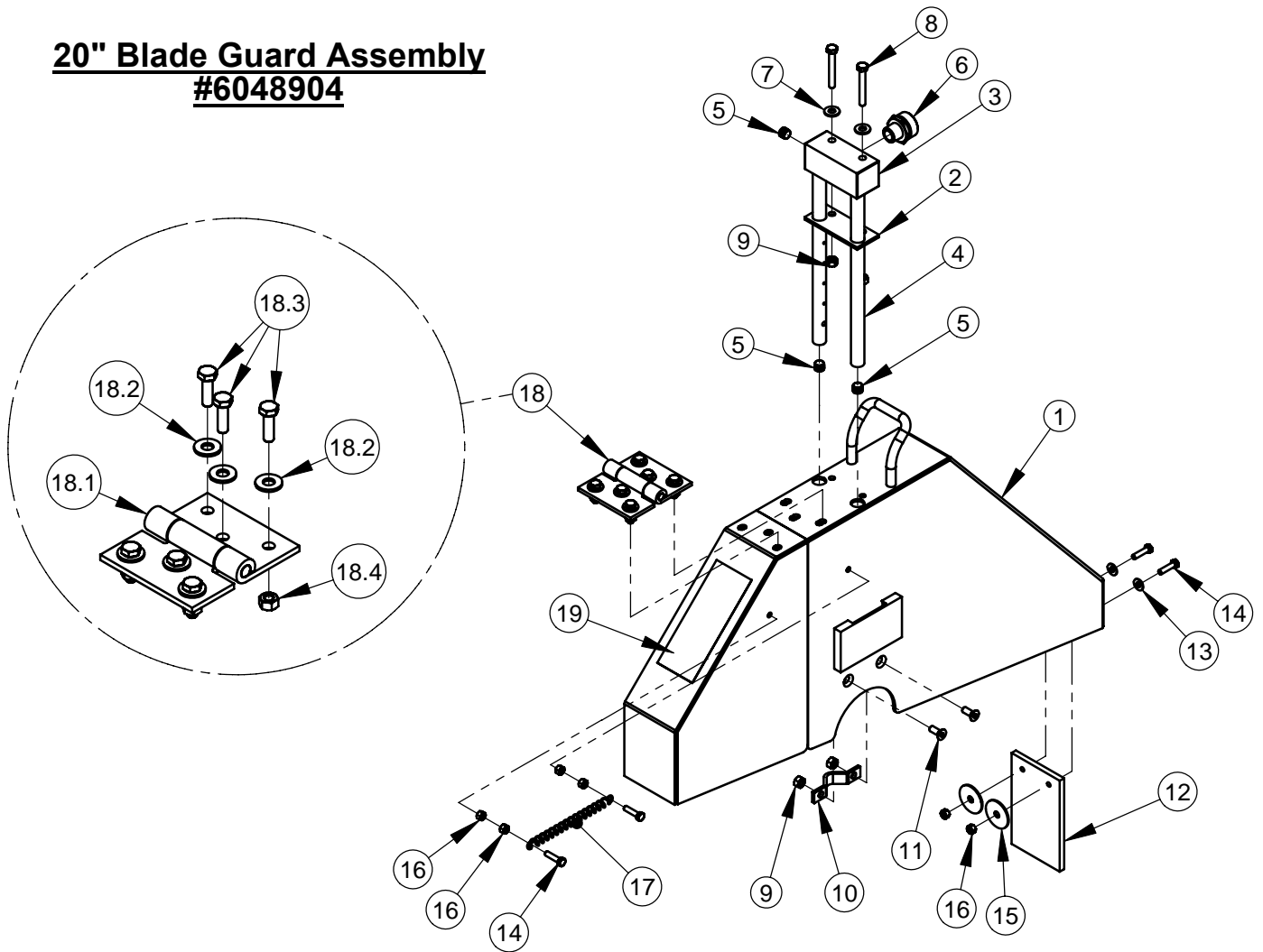
ITEM	PART NO.	QTY.	DESCRIPTION
1	2801502	1	Tach/Hour Meter, Digital
2	2701785	2	Pan Head, Self-tapping, #6-20 x 3/8"
3	2801502A	1	Tachometer Wire

14" Blade Guard Assembly
#6048912



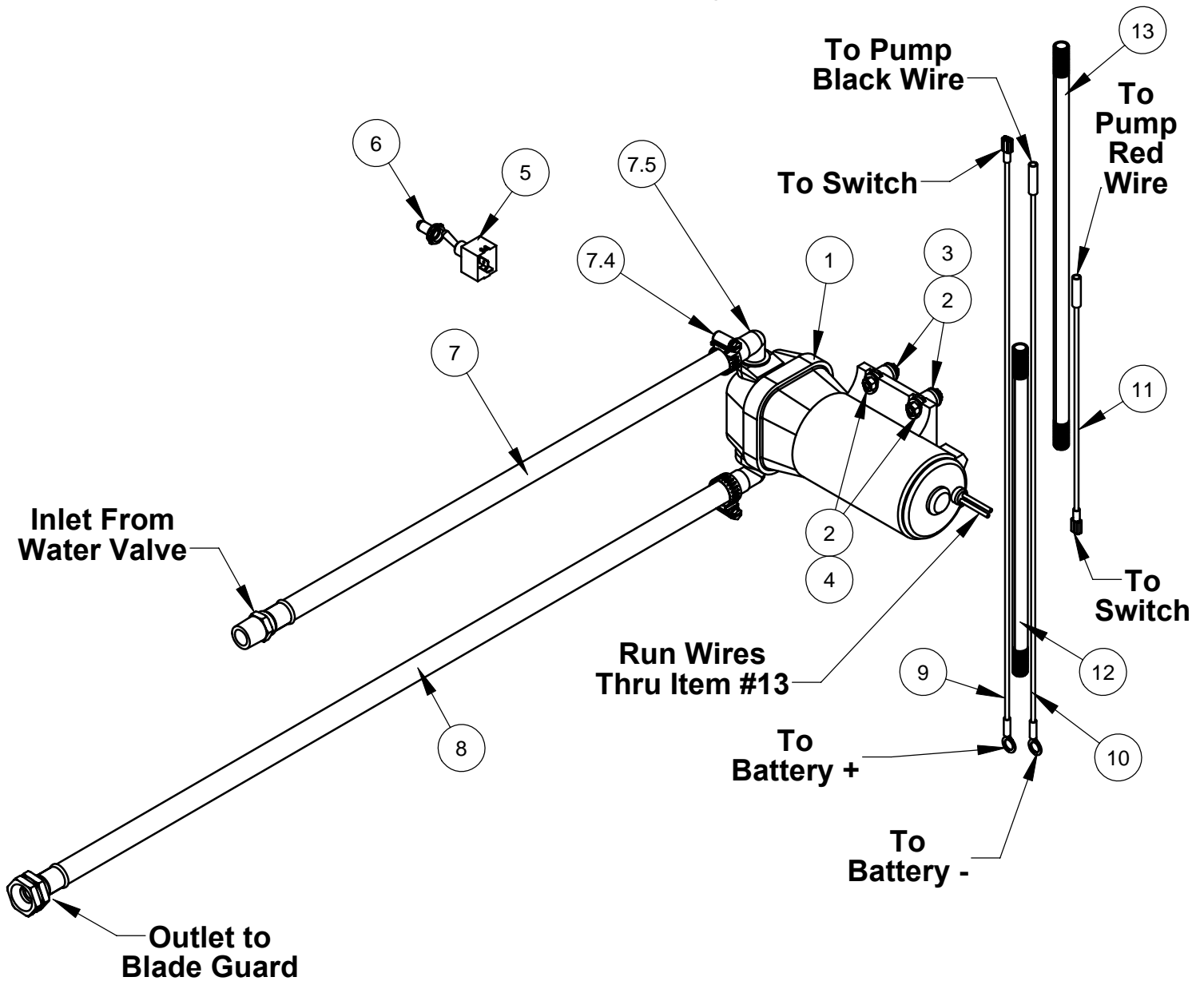
ITEM	PART NO.	QTY.	DESCRIPTION
1	6048911	1	14" Blade Guard
2	2500829	1	Water Manifold Gasket
3	6048123	1	Water Manifold
4	6048283	2	Water Tube for 14" Guard
5	3200001	3	Plug, 1/8" NPT
6	3200002	1	Fitting, 3/8" M. Pipe to 3/4" M. Garden
7	2900009	2	Flat Washer, 1/4" SAE
8	2900244	2	Cap Screw, Hex Hd., M6 x 45mm
9	2900302	6	Lock Nut, M6 Nylon
10	6048155	2	Water Tube Clamp
11	2900308	4	Cap Screw, Flat Hd. Soc., M6 x 16mm
12	6048039	1	Splash Flap
13	2900016	2	Flat Washer, #10 USS
14	2900309	4	Cap Screw, Hex Hd., M5 x 20mm
15	2900083	2	Fender Washer, 1/4" I.D. x 1-1/4" O.D.
16	2900301	6	Lock Nut, M5 Nylon
17	2500066	1	Spring, 3/8 X .055 X 3"
18	6048026	1	Hinge Assy., Metric Fasteners
18.1	2500270	1	Blade Guard Hinge
18.2	2900009	6	Flat Washer, 1/4" SAE
18.3	2900310	5	Cap Screw, Hex Hd., M6 x 20mm
18.4	2900302	7	Lock Nut, M6 Nylon
18.5	2900312	1	Cap Screw, Hex Hd., M6 x 35mm
19	1800001	1	Warning Label

20" Blade Guard Assembly
#6048904



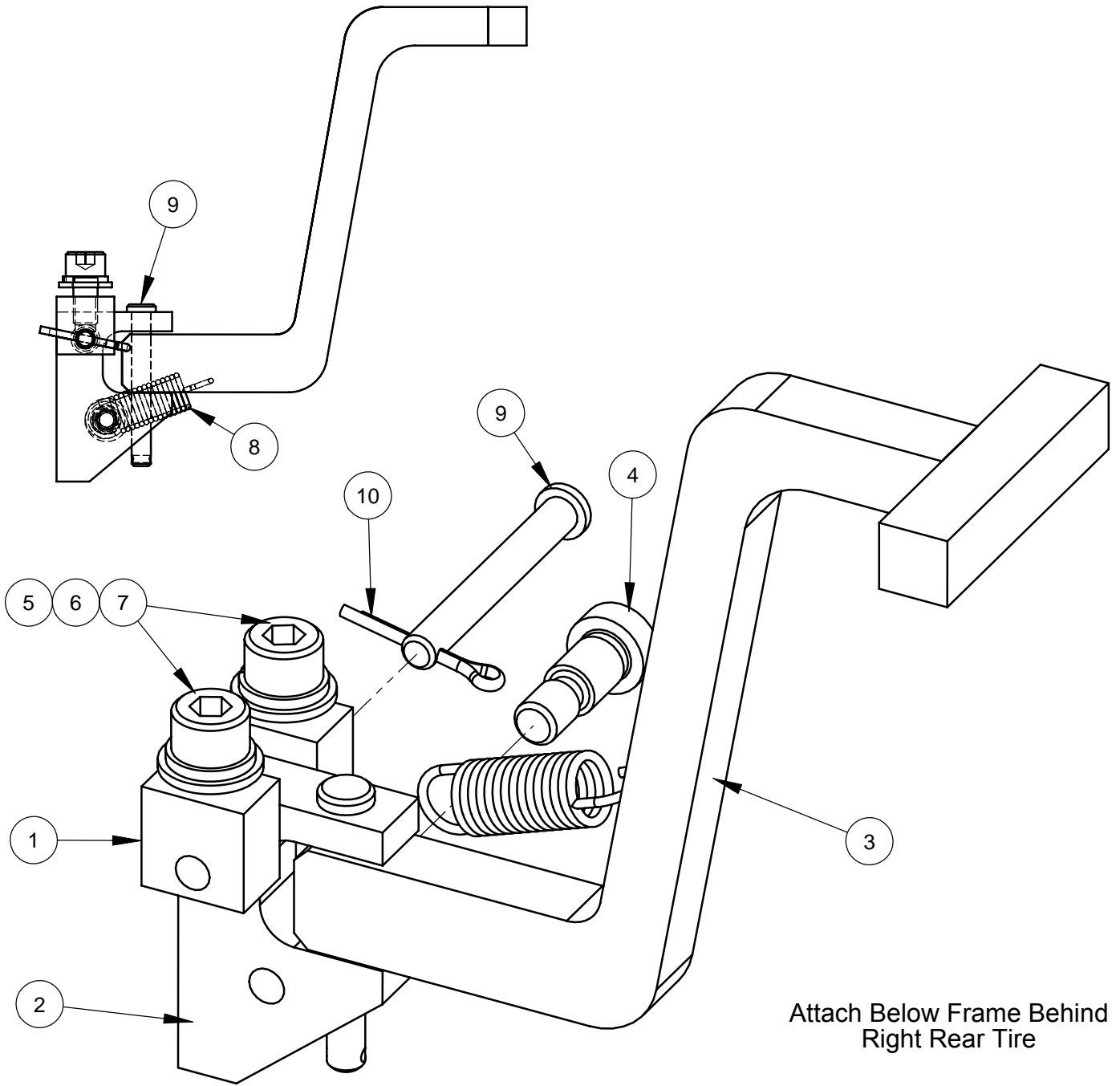
ITEM	PART NO.	QTY.	DESCRIPTION
1	6048905	1	20" Blade Guard
2	2500829	1	Water Manifold Gasket
3	6048123	1	Water Manifold
4	6010085	2	Water Tube for 20" Guard
5	3200001	3	Plug, 1/8" NPT
6	3200002	1	Fitting, 3/8" M. Pipe to 3/4" M. Garden
7	2900009	2	Flat Washer, 1/4" SAE
8	2900244	2	Cap Screw, Hex Hd., M6 x 45mm
9	2900302	6	Lock Nut, M6 Nylon
10	6048155	2	Water Tube Clamp
11	2900308	4	Cap Screw, Flat Hd. Soc., M6 x 16mm
12	6048039	1	Splash Flap
13	2900016	2	Flat Washer, #10 USS
14	2900309	4	Cap Screw, Hex Hd., M5 x 20mm
15	2900083	2	Fender Washer, 1/4" x 1-1/4"
16	2900301	6	Lock Nut, M5 Nylon
17	2500067	1	Spring, 3/8" x 4"
18	6048027	1	Hinge Assy., Metric Fasteners
18.1	2500270	1	Blade Guard Hinge
18.2	2900009	6	Flat Washer, 1/4" SAE
18.3	2900310	6	Cap Screw, Hex Hd., M6 x 20mm
18.4	2900302	6	Lock Nut, M6 Nylon
19	1800001	1	Warning Label

Water Pump Assembly #6048970



ITEM	PART NO.	QTY.	DESCRIPTION
1	2600200	1	Water Pump, 12V Diaphragm
2	2900009	8	Flat Washer, 1/4" SAE
3	2900311	4	Cap Screw, Hex Hd., M6 x 25
4	2900302	4	Lock Nut, M6 Nylon
5	2800062	1	Toggle Switch On/Off
6	2800063	1	Switch Boot
7	6048965	1	Hose Assy., 1/2" x 23.67", Water
7.4	3200016	1	Hose Clamp #8
7.5	2701694	1	Port Fitting, 1/2" Barb x 90 Degree
8	6048966	1	Hose Assy., 1/2 x 33.85", Water
9	6043197	1	Wire Assy., 14 Ga., White
10	6043198	1	Wire Assy., 14 Ga., Black
11	6043199	1	Wire Assy., 14 Ga., Green
12	6043397	1	Wire Cover, 13"
13	6043398	1	Wire Cover, 16"

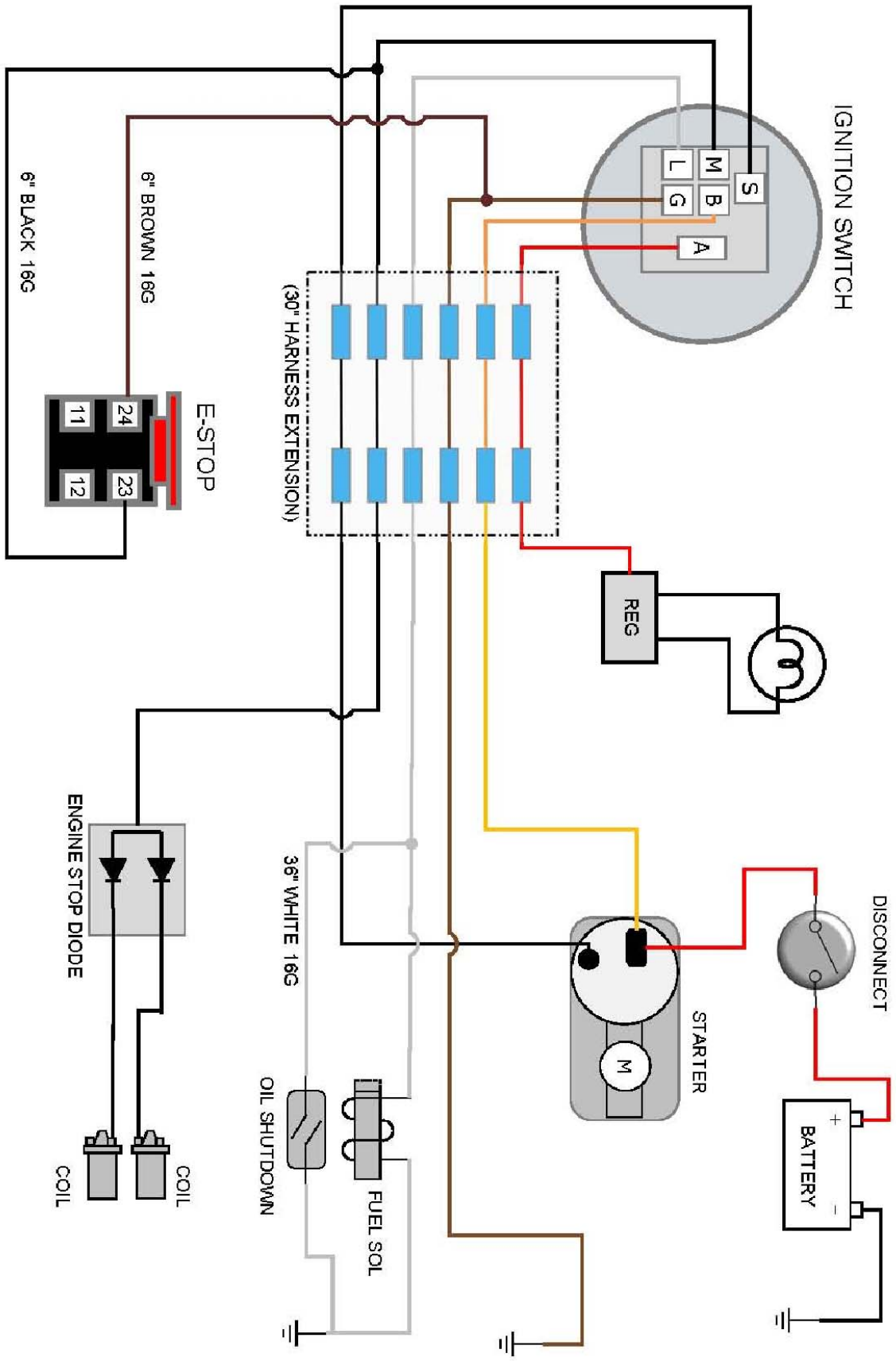
Brake Option #6048873



Attach Below Frame Behind
Right Rear Tire

ITEM	PART NO.	QTY.	DESCRIPTION
1	6048868	2	Clevis Plate
2	6048867	1	Plate, Brake Pivot
3	6048869	1	Brake Pedal Weldment
4	2900672	1	Shoulder Screw, 3/8" x 1/2" (5/16-18)
5	2900022	2	Flat Washer, 5/16" SAE
6	2900031	2	Lock Washer, 5/16" Split
7	2900267	2	Cap Screw, Soc. Hd., M8 x 16mm
8	2500068	1	Spring, .063 x .50 x 1.75
9	2901404	2	1/4 x 2.0" Clevis Pin
10	2900034	1	Cotter Pin, 3/32" x 3/4"

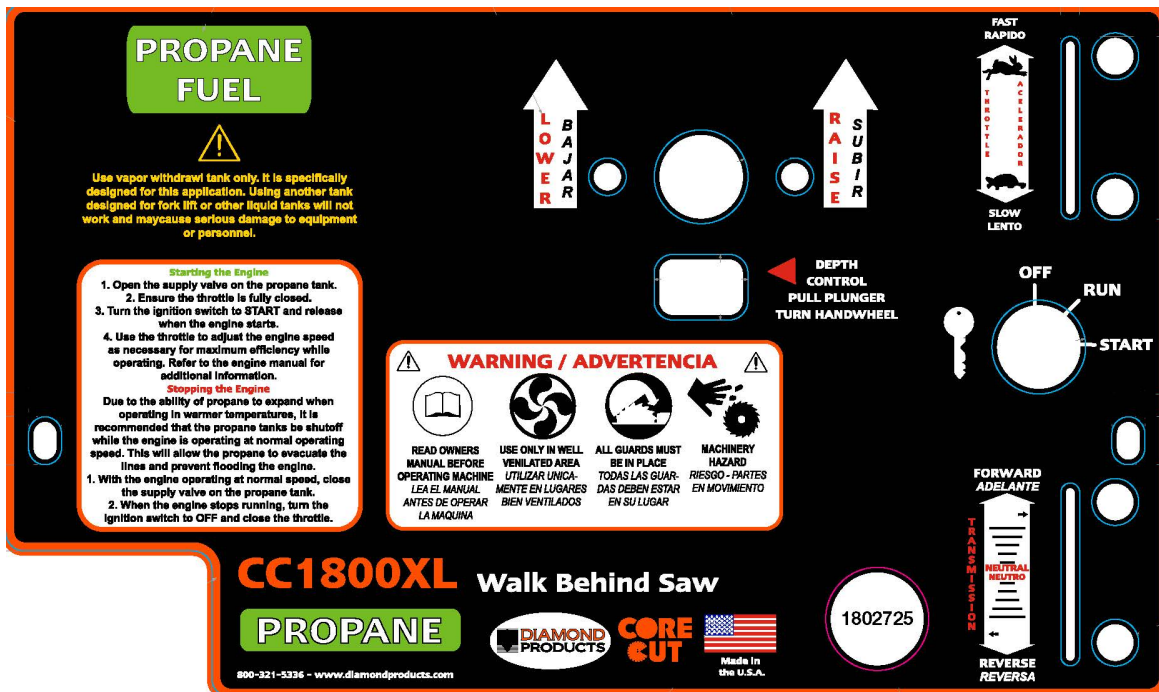
CC1823 Wiring Schematic



CC1800XL Decals



Core Cut Decal, #1802715



CC1800XL Operating Decal, #1802725

EQUIPMENT AND PARTS WARRANTY

Diamond Products warrants all equipment manufactured by it against defects in workmanship or materials for a period of one (1) year from the date of shipment to Customer.

The responsibility of Diamond Products under this Warranty is limited to replacement or repair of defective parts at Diamond Products' Elyria, Ohio factory, or at a point designated by it, of such parts as shall appear to us upon inspection at such parts, to have been defective in material or workmanship, with expense for transportation and labor borne by Customer.

In no event shall Diamond Products be liable for consequential or incidental damages arising out of the failure of any Product to operate properly.

Integral units such as engines, electric motors, batteries, transmissions, etc., are excluded from this Warranty and are subject to the prime manufacturer's warranty.

THIS WARRANTY IS IN LIEU OF ALL OTHER WARRANTIES, EXPRESSED OR IMPLIED, AND ALL SUCH OTHER WARRANTIES ARE HEREBY DISCLAIMED.



333 Prospect Street, Elyria, Ohio 44035
(440) 323-4616 • (800) 321-5336 • Fax (800) 634-4035
www.diamondproducts.com