



**CORE CUT  
PARTS LIST MANUAL**

**CC190PRO-EE  
FIRST CUT SAW**

**AUGUST, 2021**

Part #: 1802664-06



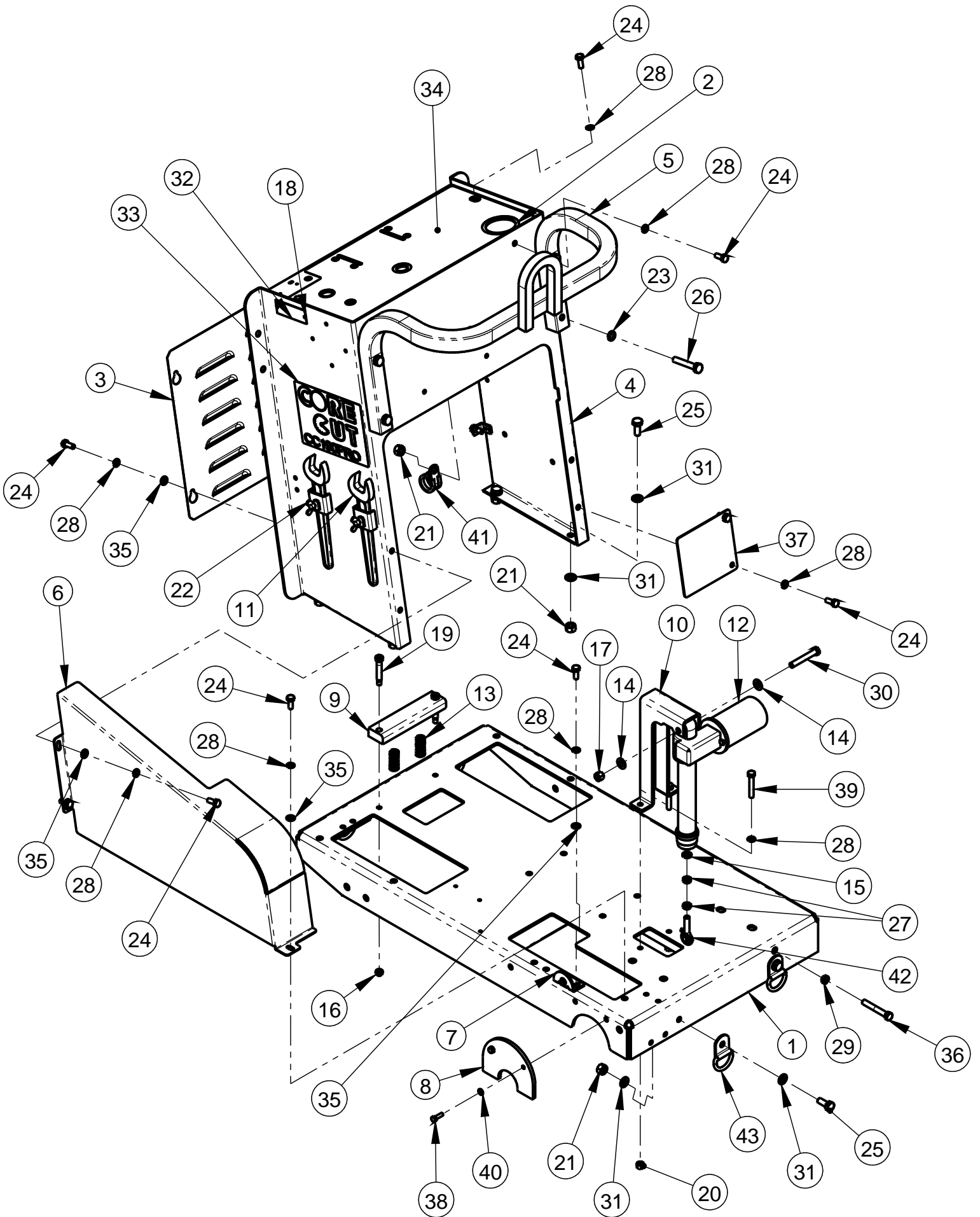
# TABLE OF CONTENTS

<u>Description</u>	<u>Page No.</u>
Pictorial Page Index.....	3
Frame Assembly.....	4 - 5
Engine Assembly.....	6 – 7
Transmission Assembly.....	8 – 9
Spring Box Assembly.....	10 - 11
Axle Assembly.....	12
Blade Shaft Assembly.....	13
Fuel Tank Assembly.....	14
Battery Assembly.....	15
Pointer Assembly.....	16 – 17
Parking Brake Assembly.....	18
Rocker Switch /Handlebar Assembly.....	19
Warranty.....	Rear Cover

## Quick Reference Service Filters/ Belts

<u>DP Part No.</u>	<u>Description</u>	<u>Manufacturer's Part No.</u>
2501211	Air Filter for Honda (GX630)	(Donaldson #P821575)
2700348	Fuel Filter for Honda (GX630)	(Honda #17672-880-000)
2702741	Oil Filter for Honda (GX630)	(Honda #15400-PLM-AO1PE)
2503876	Blade Shaft Belt (3) for Honda (GX630)	(Gates #3VX385)
2501781	Transmission Belt for Honda (GX630)	(Gates AX42)

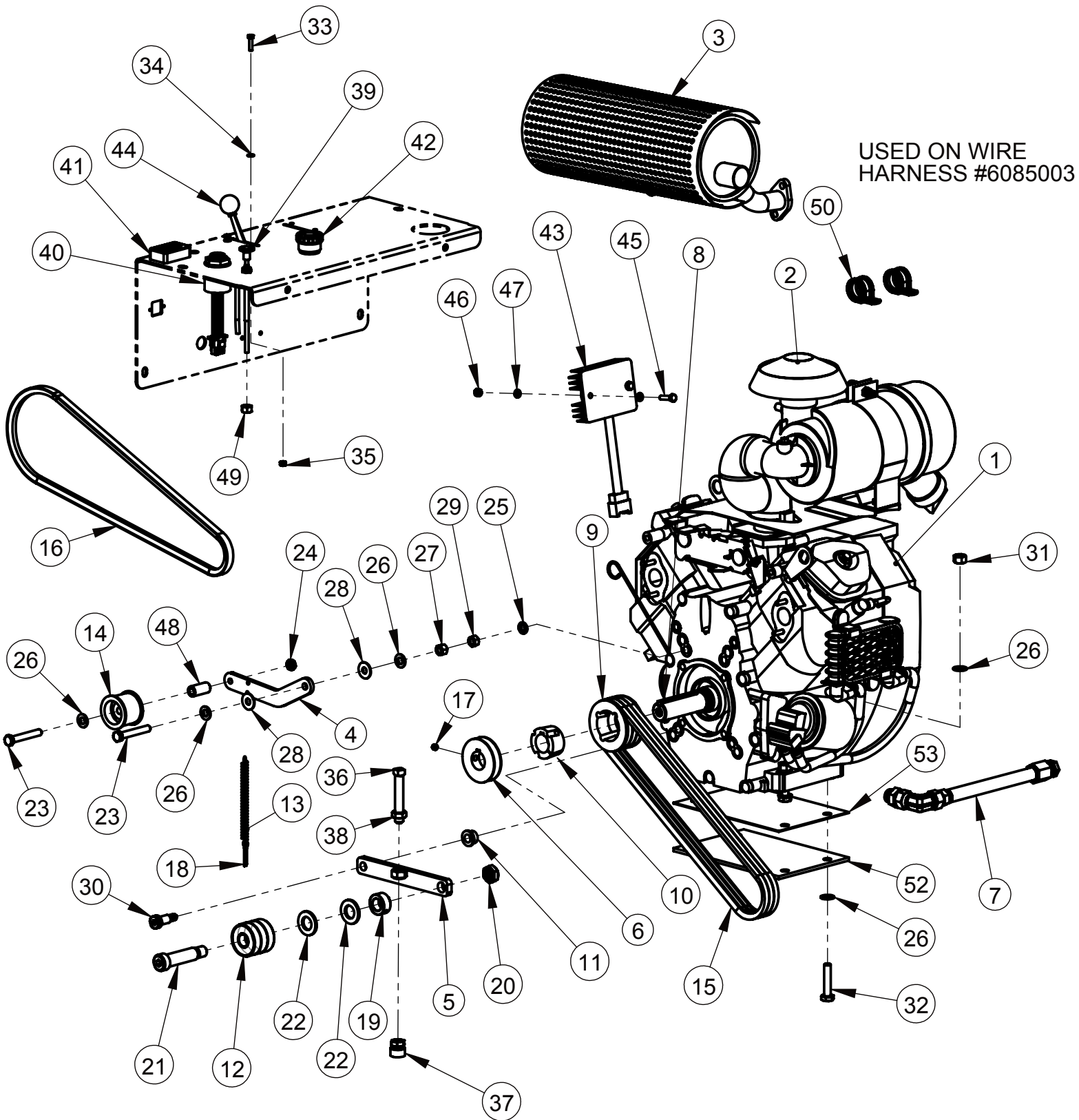
# FRAME ASSEMBLY #6040398



## FRAME ASSEMBLY #6040398

ITEM	PART NO.	QTY.	DESCRIPTION
1	6040800	1	Frame Weldment
2	6040779	1	Control Panel Weldment
3	6040638	1	Rear Cover Screen
4	6040696	1	Frame Upright Weldment
5	6040639	1	Lift Bar Weldment
6	6040759	1	Belt Guard
7	6010558	1	Mounting Tab 90 Deg.
8	6040780	1	Cover, Belt Access
9	6040670	1	Spring Block
10	6040797	1	Actuator Mount
11	2500256	2	Wrench, 1-1/16" Open End
12	2504872	1	Actuator, 5" stroke
13	2504844	2	Spring, Comp. .68 X .085 X 1.50
14	2900014	2	Flat Washer, 3/8" SAE
15	2900006	1	Lock Washer, 3/8" Split
16	2901884	2	Jam Locknut, 5/16-18" Nylon
17	2900018	1	Locknut, 3/8-16, Nylon
18	2900053	2	Rivet, 3/32" Dia.
19	2901975	2	Shoulder Screw, 3/8" x 1-3/4" (5/16-18)
20	2900303	2	Lock Nut, M8-1.25 Nylon Insert
21	2900304	9	Lock Nut, M10-1.5 Nylon Insert
22	2900307	2	Wing Screw, M6 x 16mm
23	2900321	4	Lock Washer, M10 Split
24	2900329	17	Cap Screw, Hex Hd., M8-1.25 x 20mm
25	2900333	8	Cap Screw, Hex Hd., M10-1.5 x 25mm
26	2900338	4	Cap Screw, Hex Hd., M10-1.5 x 60mm
27	2900696	2	Jam Nut, 3/8-24
28	2900763	19	Lock Washer, M8 Split
29	2900782	1	Jam Nut, 3/8-16
30	2900596	1	Cap Screw, Hex Hd., 3/8-16 x 2-1/2"
31	2901356	16	Flat Washer, M10
32	1800169	1	Serial Number Plate, US
33	1802580	1	CC190PRO Core Cut Decal
34	1802591	1	CC190PRO Label, Operating
35	2901336	9	Flat Washer, M8
36	2900521	1	Tap Bolt, Hex Hd., 3/8-16 x 2-1/2"
37	6040767	1	Guard, Sprocket
38	2900310	2	Cap Screw, Hex Hd., M6-1.0 x 20mm
39	2907018	2	Cap Screw, Hex Hd., M8-1.25 x 50mm
40	2900765	2	Lock Washer, M6 Split
41	3201729	1	Hose Clamp, 1" x 3/4" Wide
42	2500886	1	Rod End, 3/8-24 Male
43	2505188	4	Ring Tie Down

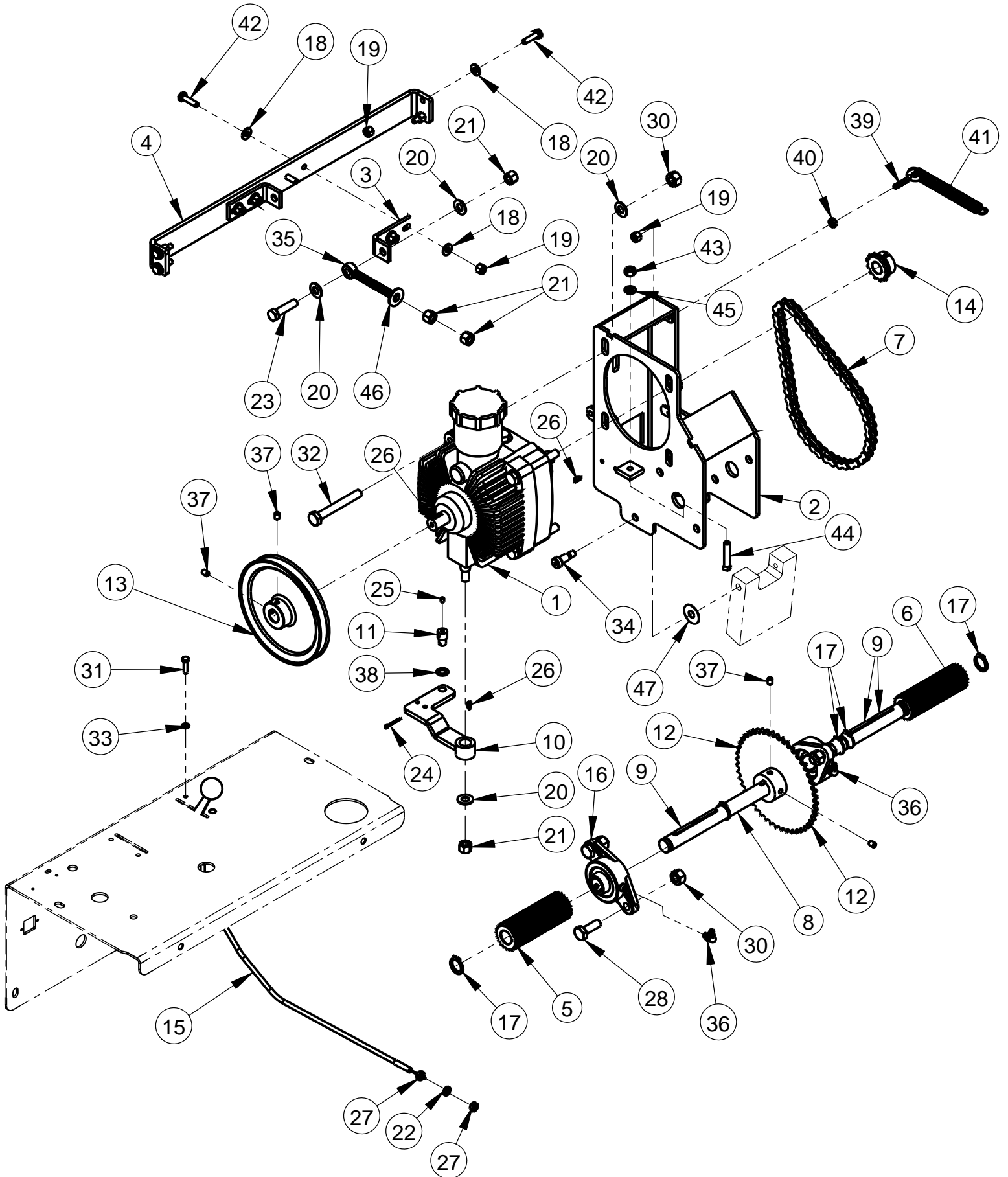
# ENGINE ASSEMBLY #6040394



**ENGINE ASSEMBLY # 6040394**

ITEM	PART NO.	QTY.	DESCRIPTION
1	2600644	1	Engine, Honda (GX630)
2	2703556	1	Air Cleaner Assembly
3	2708046	1	Honda Muffler, R Side Exhaust
4	6040772	1	Idler Arm
5	6040758	1	Belt Tensioner Arm
6	6048195	1	Pulley, 1-1/8" Bore
7	6040760	1	Oil Drain Hose Assembly
8	6047977	1	Key, 1/4" Sq. x 3"
9	2500024	1	Sheave, 3.15-3 Groove
10	2500029	1	Taper Bushing, 1-1/8" with Set Screws
11	2501727	1	Bearing, 1/2" ID Flanged Bronze
12	2502716	3	Ball Bearing, 3/4 x 2 x 9/16 (1638-ZZ)
13	2500230	1	Spring, 3/8" x 5-1/2"
14	2504638	1	Idler Pulley, 2" Flat with 3/8" Bore
15	2503876	3	V-Belt, 3VX385
16	2501781	1	V-Belt, AX42
17	2900036	2	Set Screw, Soc. Hd., 5/16-18 x 1/4"
18	2900055	1	Cotter Pin, 3/16" x 1"
19	2400615	1	Set Collar, 3/4"
20	2900753	1	Jam Lock Nut, 5/8-11
21	2901979	1	Shoulder Screw, 3/4 x 2-1/2" (5/8-11)
22	2900003	2	Flat Washer, 3/4" SAE
23	2900521	2	Tap Bolt, Hex Hd., 3/8-16 x 2-1/2"
24	2900782	1	Jam Nut, 3/8-16
25	2900006	1	Lock Washer, 3/8" Split
26	2900014	11	Flat Washer, 3/8" SAE
27	2900018	1	Locknut, 3/8-16, Nylon
28	2900153	2	Friction Washer, 3/8"
29	2900033	1	Hex Nut, 3/8-16
30	2902004	1	Shoulder Screw, 1/2" x 7/8" (3/8-16)
31	2900304	4	Lock Nut, M10-1.5 Nylon Insert
32	2900318	4	Cap Screw, Hex Hd., M10-1.5 x 50mm
33	2900309	2	Cap Screw, Hex Hd., M5-0.8 x 20mm
34	2900926	2	Flat Washer, M5
35	2900301	2	Lock Nut, M5-0.8 Nylon Insert
36	2902005	1	Set Screw, Sq. Hd., 1/2-13 x 3"
37	2900722	1	Swivel Pad, 1/2-13
38	2900129	1	Jam Nut, 1/2-13
39	2500377	1	Choke Cable
40	6049057	1	Honda Ignition Switch Assembly
41	2801502	1	Tach/Hour Meter, W/#6 Screws
42	2801367	1	E-Stop Switch
43	2701670	1	Rectifier Assembly
44	2500810	1	Throttle Control, 36"
45	2900311	2	Cap Screw, Hex Hd., M6-1.0 x 25mm
46	2900302	2	Lock Nut, M6-1.0 Nylon Insert
47	2901494	4	Flat Washer, M6
48	4647121	1	Spacer, Adjustable Roller
49	2900148	1	Hex Nut, 3/8-24
50	3201729	2	Hose Clamp, 1" x 3/4" Wide
51	6049058	1	Wire Harness (Not Shown)
52	6040799	1	Motor Mount Pad
53	6040798	1	Motor Mount Plate

# TRANSMISSION ASSEMBLY# 6040383





**TRANSMISSION ASSEMBLY# 6040383**

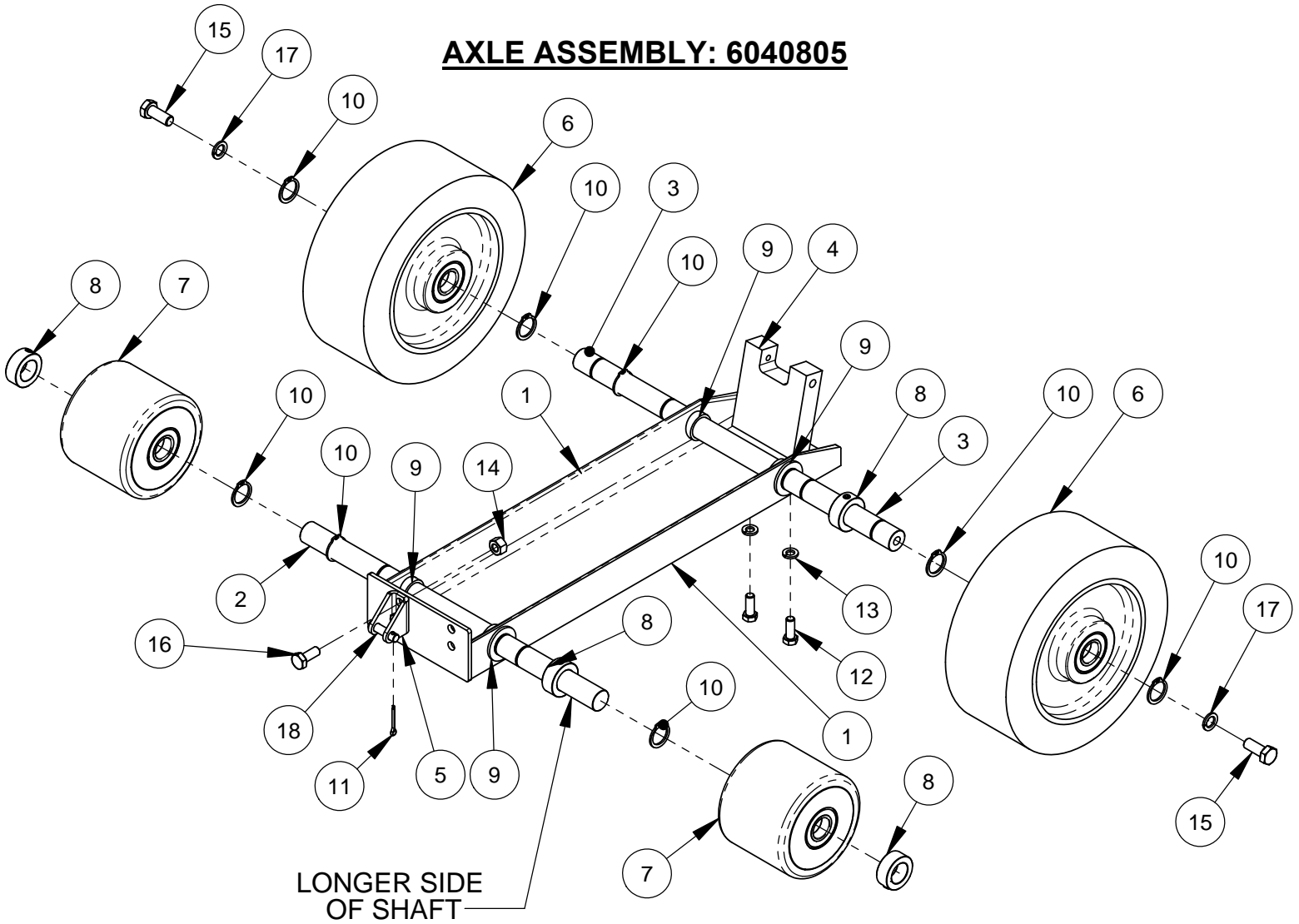
ITEM	PART NO.	QTY.	DESCRIPTION
1	2600015	1	Eaton 6 Transmission
2	6040765	1	Hydrostatic Pump Frame
3	6040673	2	Bracket, Pump
4	6040672	1	Upright Brace
5	6040674	1	Sprocket, 20T 1.50 OD
6	6040675	1	Sprocket, 20T 1.38 OD
7	6048232	1	Chain, #35 x 63 Pitch
8	6040668	1	Drive Shaft
9	6048229	5	Key, 3/16" Sq. x 1-1/4"
10	6040763	1	Shift Lever
11	6048212	1	Pivot Pin
12	2500018	1	Sprocket, 48 Teeth w/ Setscrews
13	2500016	1	Pulley, 6"
14	2500017	1	Sprocket, 12 Teeth
15	2500076	1	Transmission Speed Control
16	2500011	2	Flg Mnt Brg 3/4" Peer UCFT204-12-90
17	2504805	5	Retaining Ring, .75 Ext. Heavy Duty
18	2900009	12	Flat Washer, 1/4" SAE
19	2900010	9	Lock Nut, 1/4-20 Nylon
20	2900014	7	Flat Washer, 3/8" SAE
21	2900018	4	Locknut, 3/8-16, Nylon
22	2900024	1	Lock Washer, 1/4" Split
23	2900029	1	Cap Screw, Hex Hd., 3/8-16 x 1-1/2"
24	2900034	1	Cotter Pin, 3/32" x 3/4"
25	2900059	1	Set Screw, Soc. Hd., #10-32 x 1/4"
26	2900068	3	Woodruff Key #404, 1/8" W x 1/2" Dia.
27	2900186	2	Jam Nut, 1/4-28
28	2900223	4	Cap Screw, Hex Hd., M10-1.5 x 30mm
29	2900301	2	Lock Nut, M5-0.8 Nylon Insert
30	2900304	8	Lock Nut, M10-1.5 Nylon Insert
31	2900309	2	Cap Screw, Hex Hd., M5-0.8 x 20mm
32	2900319	4	Cap Screw, Hex Hd., M10-1.5 x 80mm
33	2900926	2	Flat Washer, M5
34	2900936	2	Shoulder Screw, 3/8" x 5/8" (5/16-18)
35	2901981	1	Eyebolt, 3/8-16 x 3-1/2"
36	2900061	2	Grease Fitting, 1/4-28 x 90 Degree
37	2900101	4	Set Screw, Soc. Hd., 1/4-20 x 3/8"
38	2901881	1	Flat Washer, 3/8" Shim
39	2900548	1	Eyebolt, 1/4-20 x 1"
40	2900358	1	Jam Nut, 1/4-20
41	2503651	1	Spring, .57 x .08 x 5-5/8"L Ext.
42	2900008	8	Cap Screw, Hex Hd., 1/4-20 x 1"
43	2900141	1	Hex Nut, 5/16-18
44	2900140	1	Set Screw, Sq. Hd., 5/16-18 x 1-1/2"
45	2900031	1	Lock Washer, 5/16" Split
46	2900473	1	Flat Washer, 3/8" USS
47	2504984	2	3/8" Shim Washer (.04 x 1.09 x .02 Thk.)



**SPRING BOX ASSEMBLY 14" #6040395**

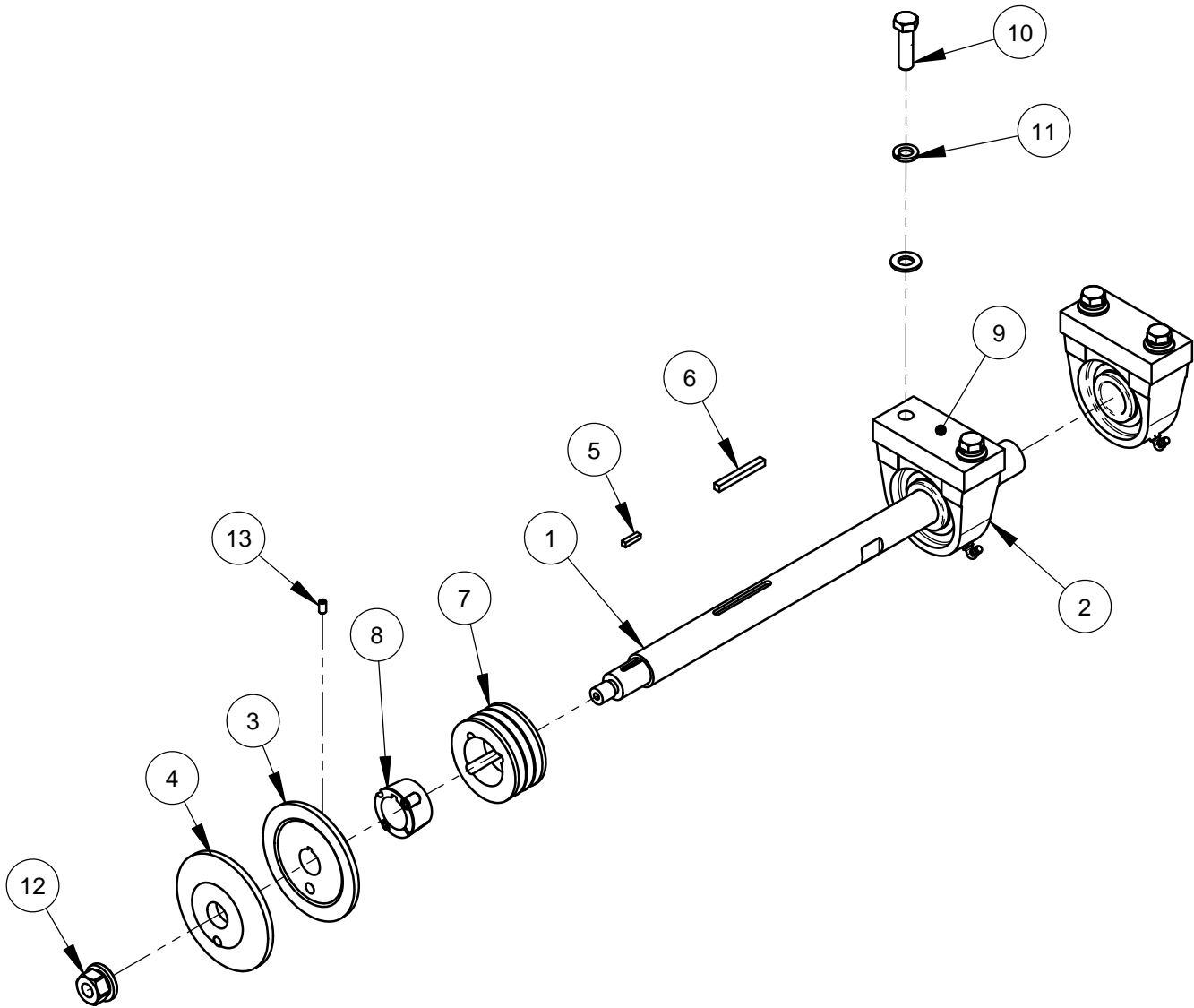
ITEM	PART NO.	QTY.	DESCRIPTION
1	6040385	2	Captive Thumb Screw, 5/16-18
2	6040677	1	Spring Block. Front 14"
3	6040678	1	Spring Block, Rear 14"
4	6040679	1	Cover, Top
5	6040680	2	Cap, Spring Block
6	6040770	1	Shaft, Spring Block Front
7	6040771	1	Shaft, Spring Block Rear
8	6040683	2	Collar, Dust Diverter
9	6040769	1	Diverter, Front Dust
10	6040685	1	Diverter, Rear Dust
11	6040686	1	Cover, Front Spring Box
12	6040687	1	Cover, Rear Spring Box
13	6040688	1	Shield, Front Spring Box
14	6040689	1	Shield, Rear Spring Box
15	6040690	1	Spacer, Rear Shield
16	6040691	2	Channel, Rear Shield
17	6040693	1	Depth Guide
18	2504630	2	Retaining Ring, 3/4 Ext. Spiral
19	2504631	2	Shaft Seal, 3/4" Shaft
20	2504871	2	Comp. Spring, .866 X .079 X 7.874L
21	2504645	2	Retaining Ring, 5/16 Ext.
22	2505276	1	14" Skid Plate Assembly-.200 Slot
23	2900005	5	Cap Screw, Hex Hd., 3/8-16 x 1"
24	2900006	6	Lock Washer, 3/8" Split
25	2900010	4	Lock Nut, 1/4-20 Nylon
26	2900724	1	Cap Screw, Soc. Hd., 3/8-16 x 1-1/4"
27	2900016	6	Flat Washer, #10 USS
28	2900017	4	Lock Nut, #10-24 Nylon
29	2900038	2	Lock Washer, #10 Split
30	2900253	2	Shoulder Screw, 3/8 x 3/8" (5/16-18)
31	2900469	4	Cap Screw, Flat Hd., #10-24 X 3/4"
32	2900577	1	Pin, Dowel 1/4 x 1-1/4"
33	2900672	2	Shoulder Screw, 3/8" x 1/2" (5/16-18)
34	2901589	1	Pin, Safety 1/4"
35	2901596	2	Cap Screw, Soc. Hd., #10-32 x 2"
36	2901877	2	Cap Screw, Soc. Hd., #10-32 x 2-1/4"
37	2902001	4	Flat Washer, 3/8" PVC
38	2901881	2	Flat Washer, 3/8" Shim
39	2901882	4	Tap Bolt, Hex Hd., 1/4-20 x 2"
40	2901884	4	Jam Locknut, 5/16-18" Nylon
41	2901963	2	Washer, Belleville 5/16"
42	2900059	4	Set Screw, Soc. Hd., #10-32 x 1/4"
43	2502046	AR	Grease, Fuchs Synthetic
44	2504745	1	Cable Tie, Nylon 48" Long
45	1802578	1	Decal, Blade Depth CC190PRO
46	1805555	1	First Cut Decal

## AXLE ASSEMBLY: 6040805



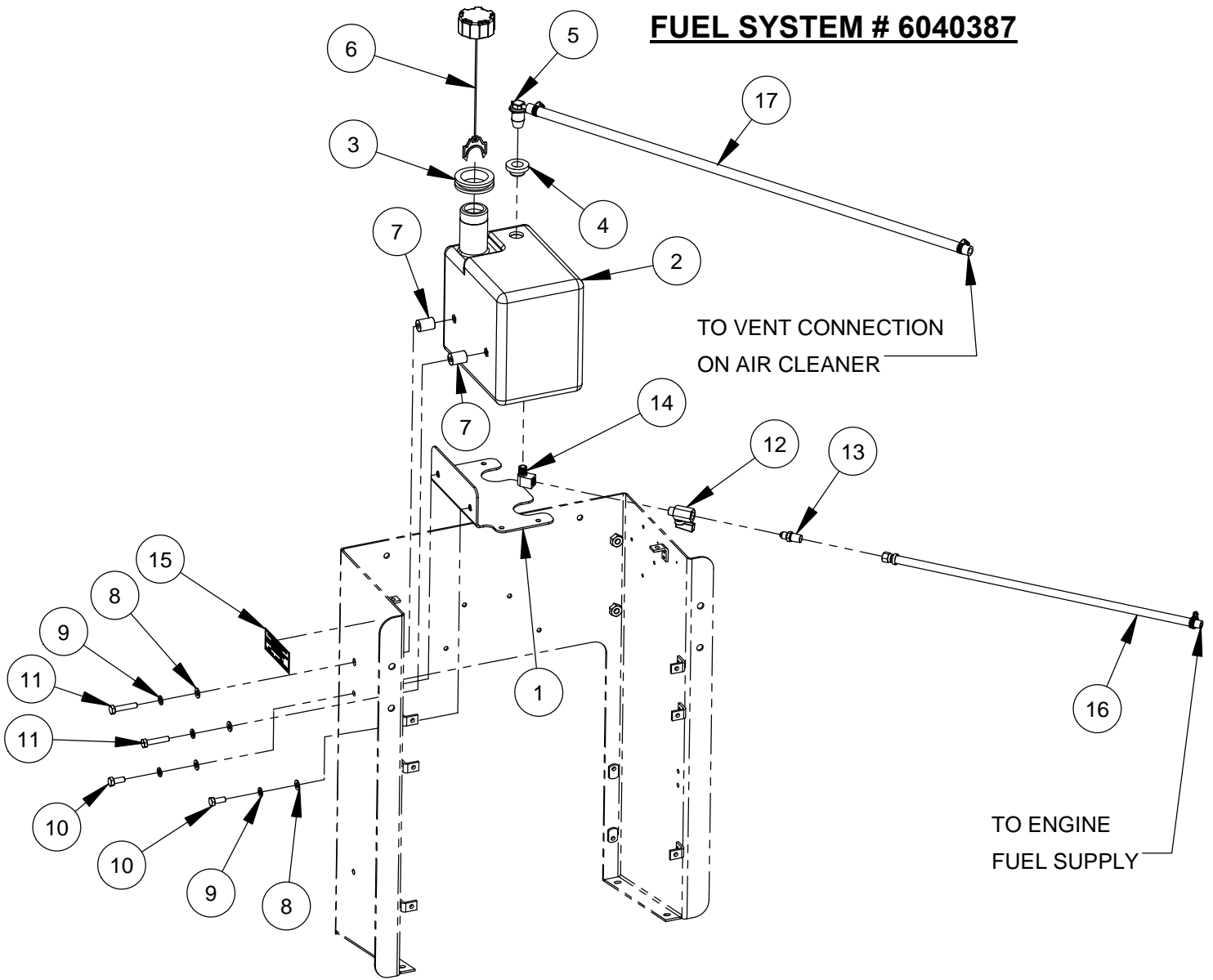
ITEM	PART NO.	QTY.	DESCRIPTION
1	6040665	1	Axle Weldment
2	6040666	1	Front Axle
3	6040623	1	Rear Axle
4	6040669	1	Pump Supprt
5	6040803	1	Mounting Bracket, Actuator
6	2503643	2	Wheel, 10 x 4 x 1" Poly
7	2503642	2	Wheel, 5 x 4 x 1"
8	2500009	4	Set Collar, 1" ID
9	2503647	4	Bearing, Flanged Bronze 1" ID
10	2504810	8	Retaining Ring, 1" Ext. Heavy Duty
11	2900004	1	Cotter Pin, 1/8" x 1"
12	2900005	2	Cap Screw, Hex Hd., 3/8-16 x 1"
13	2900006	2	Lock Washer, 3/8" Split
14	2900304	2	Lock Nut, M10-1.5 Nylon Insert
15	2900330	2	Cap Screw, Hex Hd., M12-1.75 x 30mm
16	2900333	2	Cap Screw, Hex Hd., M10-1.5 x 25mm
17	2900699	2	Lock Washer, M12 Split
18	2504976	1	3/8" x 1-3/8" Clevis Pin (1-1/8")

## BLADE SHAFT ASSEMBLY: 6040396



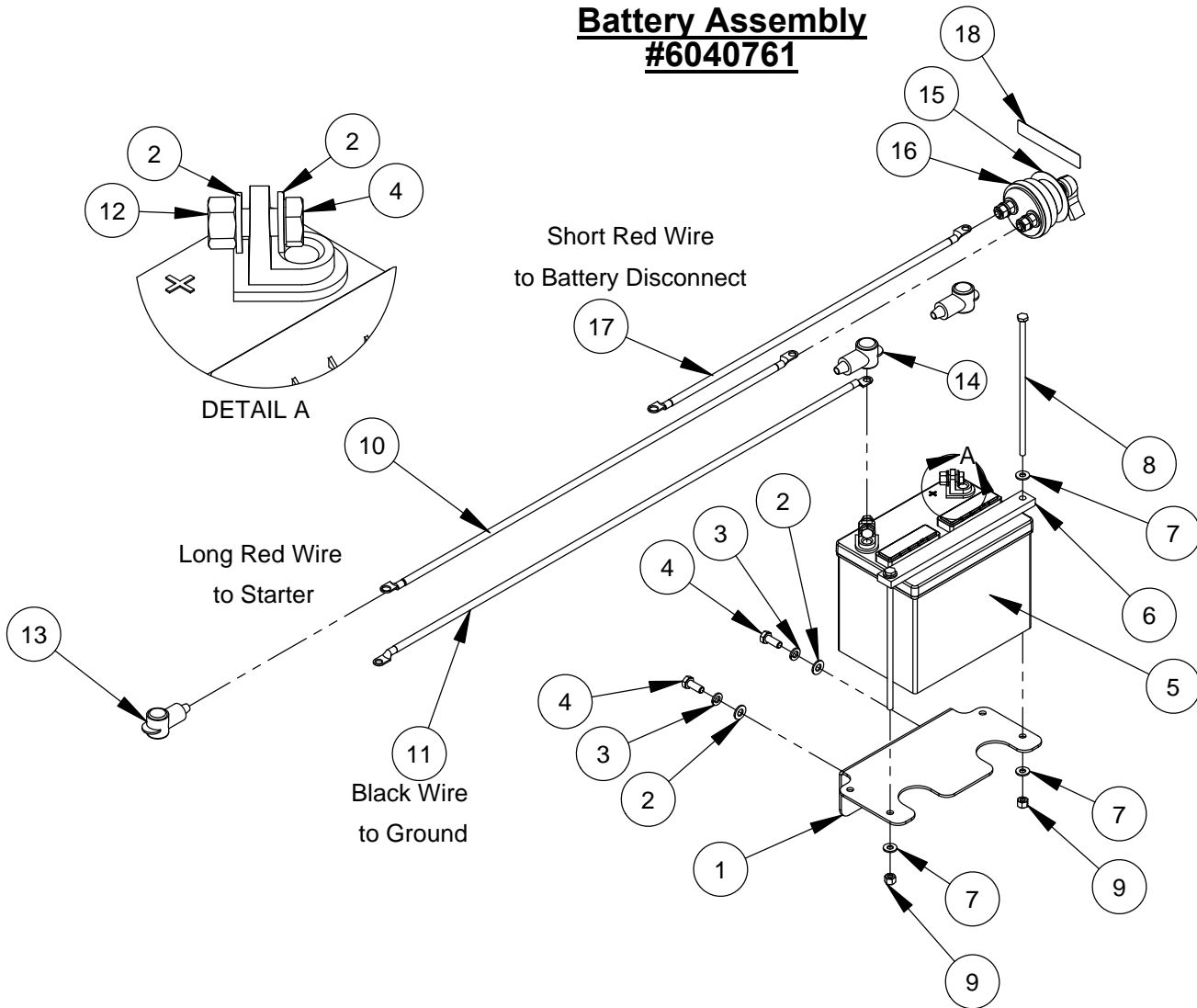
ITEM	PART NO.	QTY.	DESCRIPTION
1	6040747	1	Blade Shaft
2	2500158	2	Pillow Block Bearing 1-1/4"
3	6048008	1	Inner Flange 4-1/2"
4	6048009	1	Outer Flange, 4-1/2" w/ Pin
5	6048018	1	Key, 3/16" Sq. x 3/4"
6	6048134	1	Key, 1/4" Sq. x 2-1/4"
7	2500024	1	Sheave, 3.15-3 Groove
8	2504843	1	Taper Bushing, 1-1/4" x 1210 w/ Set Screws
9	6040397	2	Bearing Spacer
10	2900139	4	Cap Screw, Hex Hd., 1/2-13 x 1-3/4"
11	2900084	4	Lock Washer, 1/2" Split
12	2900065	1	Flange Nut, 5/8-11 R.H.
13	2900076	1	Set Screw, Soc. Hd., 1/4-20 x 1/2"
14	2900058	4	Flat Washer, 1/2" SAE

## FUEL SYSTEM # 6040387



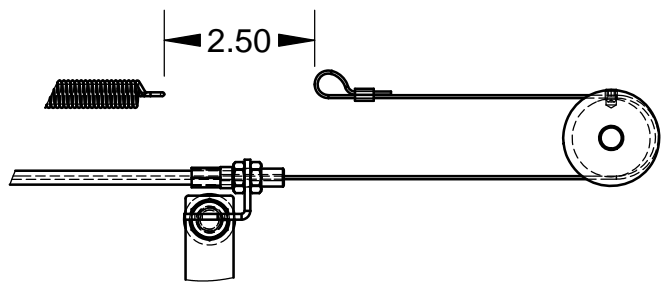
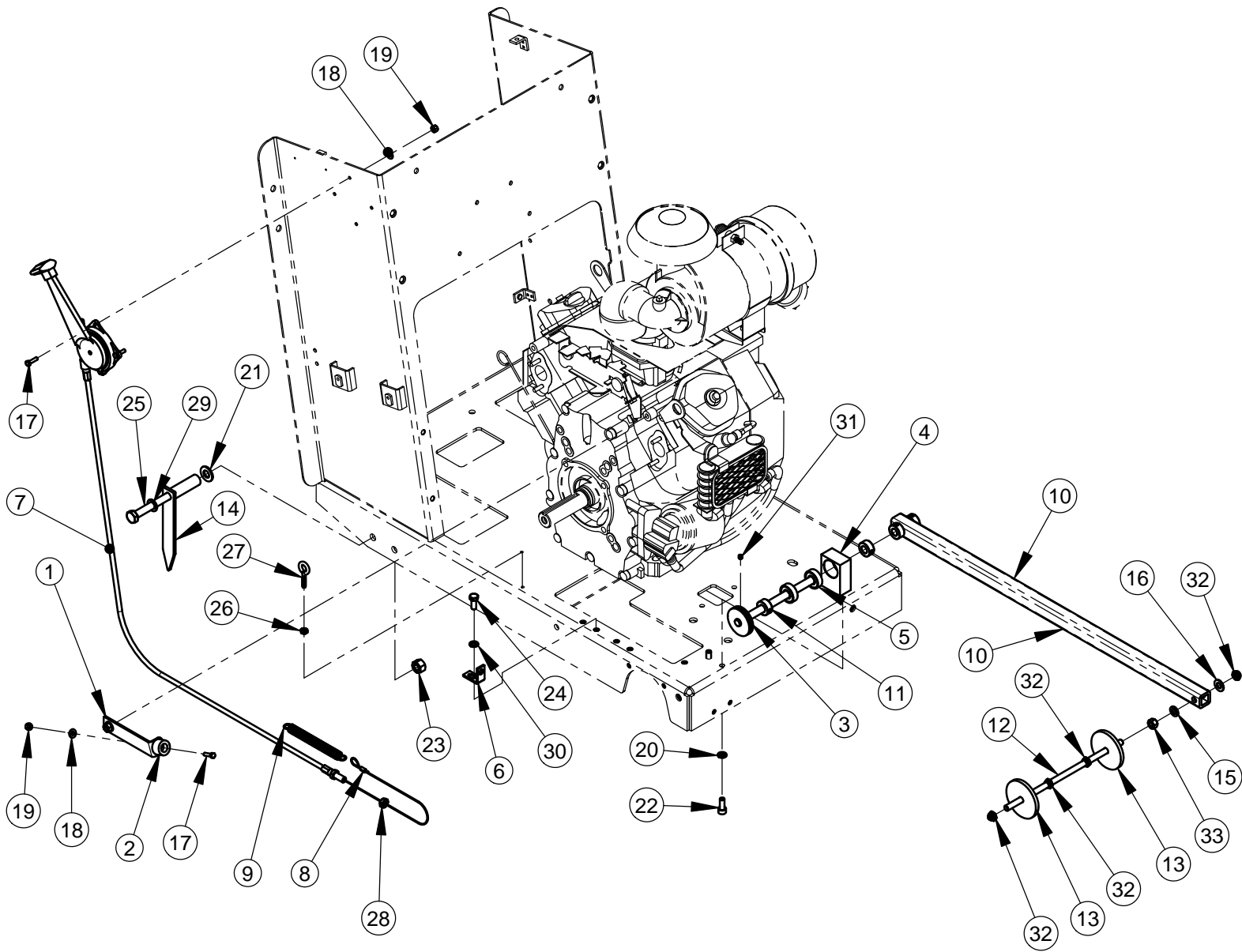
ITEM	PART NO.	QTY.	DESCRIPTION
1	6048327	1	Bracket
2	6010849	1	Fuel Tank, 1.5 Gallon
3	2500623	1	Fuel Tank Grommet
4	2506716	1	Grommet
5	2502484	1	Roll Over Vent, 1/4" Hose Barb
6	2506718	1	Fuel Tank Cap, 1-3/4"
7	2900797	2	Standoff, 3/4 x 1"
8	2901336	4	Flat Washer, M8
9	2900763	4	Lock Washer, M8 Split
10	2900329	2	Cap Screw, Hex Hd., M8-1.25 x 20mm
11	2900792	2	Cap Screw, Hex Hd., M8-1.25 x 40mm
12	3200108	1	Ball Valve, 1/4" NPT
13	3200418	1	Adapter, 1/4" M. Pipe to 1/4" M. JIC
14	3200012	1	Street Elbow, 1/4" NPT
15	1801716	1	Decal, EPA EVAP Standard
16	6040390	1	Hose Assy., Fuel, 1/4 x 22.1"
17	6040391	1	Vent Hose Assy., 3/8 x 34"

## Battery Assembly #6040761



ITEM NO.	PART NO.	QTY.	DESCRIPTION
1	6048327	1	Bracket
2	2900022	6	Flat Washer, 5/16" SAE
3	2900031	2	Lock Washer, 5/16" Split
4	2900329	4	Cap Screw, Hex Hd., M8-1.25 x 20mm
5	2500584	1	Battery, 12 Volt Group Size U1
6	4646122	1	BatterySupport
7	2900009	4	Flat Washer, 1/4" SAE
8	2901405	2	Cap Screw, Hex Hd., 1/4-20 x 7-1/2"
9	2900010	2	Lock Nut, 1/4-20 Nylon
10	6047717	1	Battery Cable, Red 26"
11	6048092	1	Battery Cable Assy., Black
12	2900303	2	Lock Nut, M8-1.25 Nylon Insert
13	2800197	2	Battery Boot, Small (Red)
14	2800198	1	Battery Boot, Small (Black)
15	2800566	1	Face Plate, Battery Disconnect
16	2800565	1	Battery Disconnect Switch
17	6047718	1	Battery Cable, Red 20"
18	1800846	1	Label, Battery Disconnect

# POINTER ASSEMBLY: 6040388



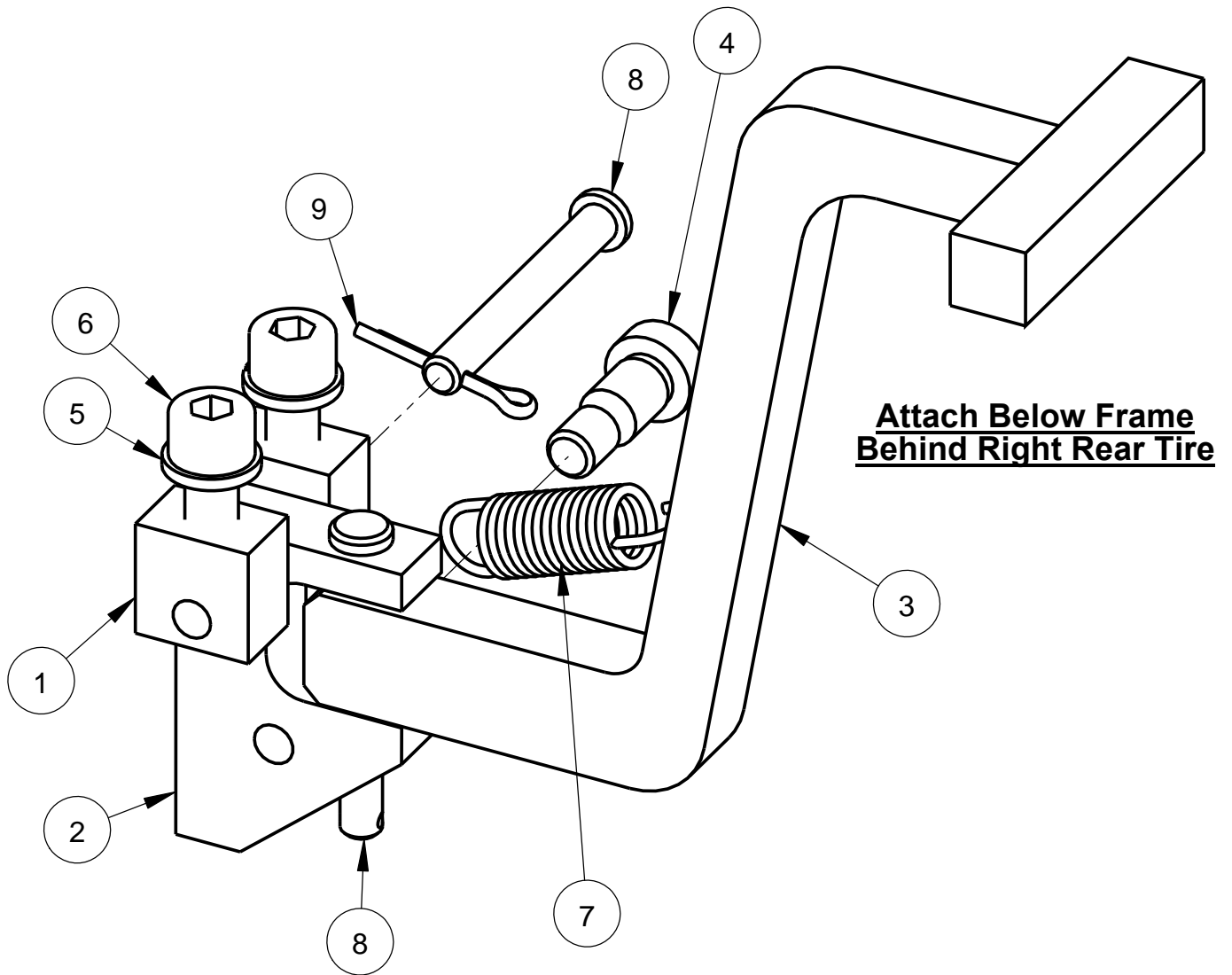
**TO PRELOAD SPRING: ATTACH COMPRESSION SLEEVE SO THAT LOOP IS 2.50" FROM END OF SPRING**



## POINTER ASSEMBLY: 6040388

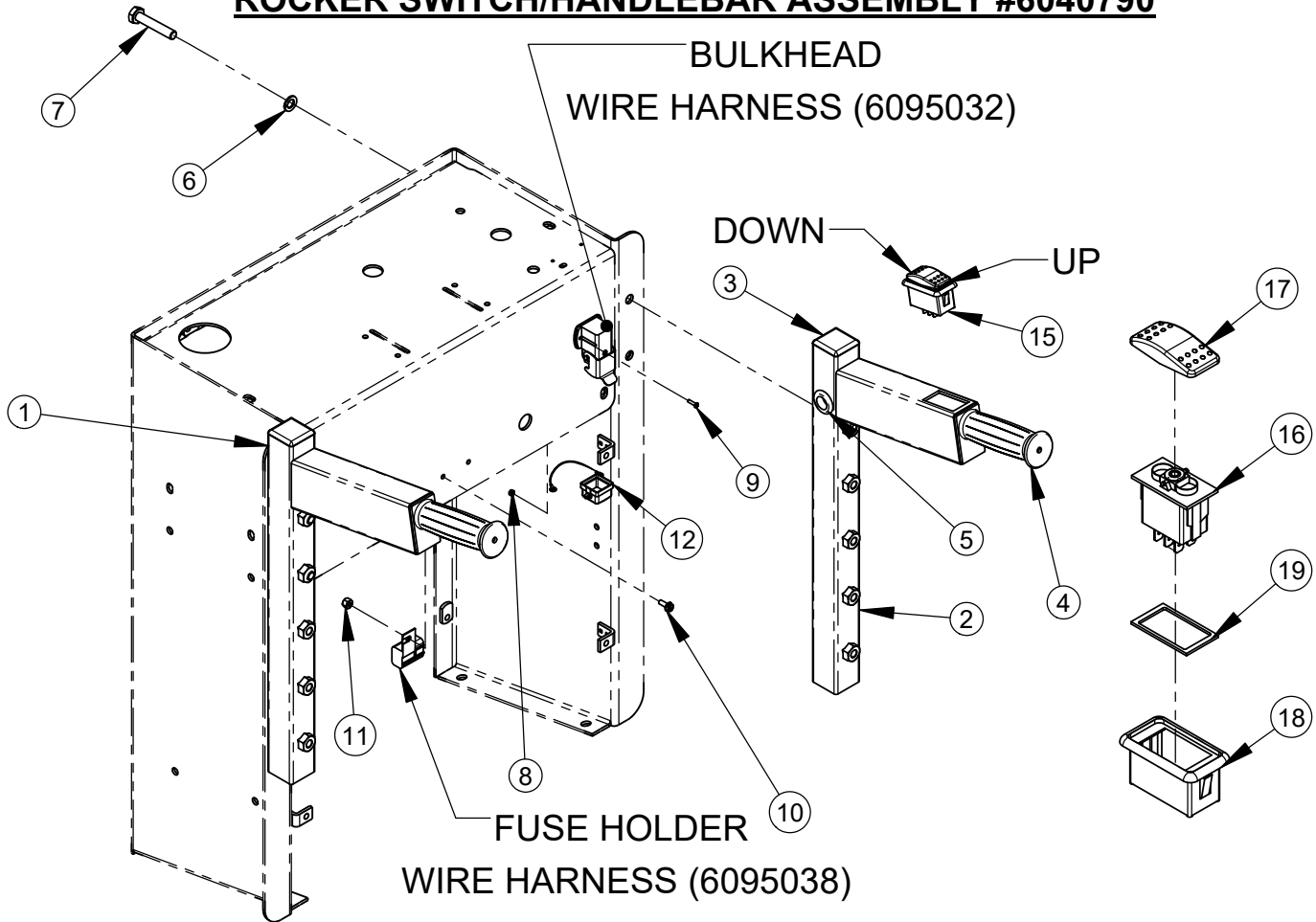
ITEM	PART NO.	Default/QTY.	DESCRIPTION
1	6040386	1	Pointer Stop
2	2503699	1	Bumper, 1" Dia. x 5/8" Thick
3	6030297	1	Shaft, Pointer
4	6030349	1	Bearing Mount
5	2503618	2	Ball Bearing, 1/2" x 32mm x 10mm
6	6030321	1	Cable Mount
7	2503616	1	Control Lever and Cable
8	2503652	1	Compression Sleeve (Oval)
9	2503651	1	Spring, .57 x .08 x 5-5/8"L Ext.
10	6040783	1	Pointer Weldment
11	2500007	2	Set Collar, 1/2" with Set Screw
12	6011653	1	Rod, 3/8-16 x 10-3/4" (Aluminum)
13	6041086	2	Guide Wheel
14	6040776	1	Rear Pointer
15	2900006	1	Lock Washer, 3/8" Split
16	2900014	1	Flat Washer, 3/8" SAE
17	2900015	5	Machine Screw, Hex Hd., #10-24 x 3/4"
18	2900016	5	Flat Washer, #10 USS
19	2900017	5	Lock Nut, #10-24 Nylon
20	2900031	2	Lock Washer, 5/16" Split
21	2900058	1	Flat Washer, 1/2" SAE
22	2900243	2	Cap Screw, Soc. Hd., M8-1.25 x 20mm
23	2900327	1	Lock Nut, M12-1.75 Nylon Insert
24	2900329	1	Cap Screw, Hex Hd., M8-1.25 x 20mm
25	2900347	1	Cap Screw, Hex Hd., M12-1.75 x 100mm
26	2900358	1	Jam Nut, 1/4-20
27	2900548	1	Eyebolt, 1/4-20 x 1"
28	2900696	2	Jam Nut, 3/8-24
29	2900699	1	Lock Washer, M12 Split
30	2900763	1	Lock Washer, M8 Split
31	2902089	1	Set Screw, Soc. Hd., 1/4-28 x 1/4" (Flat Pt.)
32	2903246	4	Jam Lock Nut, 3/8-16
33	2900033	1	Hex Nut, 3/8-16

## PARKING BRAKE ASSEMBLY # 6043511



ITEM	PART NO.	QTY.	DESCRIPTION
1	6048868	2	Clevis Plate
2	6048867	1	Plate, Brake Pivot
3	6048869	1	Brake Pedel Weldment
4	2900672	1	Shoulder Screw, 3/8" x 1/2" (5/16-18)
5	2900031	2	Lock Washer, 5/16" Split
6	2900243	2	Cap Screw, Soc. Hd., M8 x 1.25 x 20mm
7	2500068	1	Spring, .063 x .50 x 1.75
8	2901404	2	1/4 x 2.0" Clevis Pin
9	2900034	1	Cotter Pin, 3/32" x 3/4"

## ROCKER SWITCH/HANDLEBAR ASSEMBLY #6040790



ITEM	PART NO.	QTY.	DESCRIPTION
1	6040784	1	Handlebar, Left Side
2	6040831	1	Handlebar, Right Side
3	2503925	2	Cap, 1-1/4" Sq. Tube
4	2500636	2	Handle Grip
5	2508013	1	Grommet, 5/8" I.D.
6	2900321	4	Lock Washer, M10 Split
7	2901348	4	Cap Screw, Hex Hd., M10-1.5 x 55mm
8	2902220	2	Lock Nut, M3-0.5 Nylon Insert
9	2902093	2	Cap Screw, Button Hd., M3-0.5 x 12mm
10	2901412	1	Machine Screw, Hex Flange Hd., #10-24 x 1/2"
11	2900017	1	Lock Nut, #10-24 Nylon
12	2801513	1	Bulkhead Cover
13	6095038	1	Rocker Switch Harness
14	6095032	1	Bulk Head Harness
15	6019158	1	Rocker Switch Assembly

ITEM	PART NO.	QTY.	DESCRIPTION
16	2800258	1	Rocker Switch Body
17	2800259	1	Rocker Switch Actuator
18	2800260	1	Rocker Mount Panel
19	2800261	1	Rocker Panel Gasket

## **EQUIPMENT AND PARTS WARRANTY**

Diamond Products warrants all equipment manufactured by it against defects in workmanship or materials for a period of one (1) year from the date of shipment to Customer.

The responsibility of Diamond Products under this Warranty is limited to replacement or repair of defective parts at Diamond Products' Elyria, Ohio factory, or at a point designated by it, of such parts as shall appear to us upon inspection at such parts, to have been defective in material or workmanship, with expense for transportation and labor borne by Customer.

In no event shall Diamond Products be liable for consequential or incidental damages arising out of the failure of any Product to operate properly.

Integral units such as engines, electric motors, batteries, transmissions, etc., are excluded from this Warranty and are subject to the prime manufacturer's warranty.

**THIS WARRANTY IS IN LIEU OF ALL OTHER WARRANTIES, EXPRESSED OR IMPLIED, AND ALL SUCH OTHER WARRANTIES ARE HEREBY DISCLAIMED.**



333 Prospect Street, Elyria, Ohio 44035  
(440) 323-4616 • (800) 321-5336 • Fax (800) 634-4035  
[www.diamondproducts.com](http://www.diamondproducts.com)