



**CORE CUT  
PARTS LIST**

**CC2500  
(GAS)**

**DECEMBER 2024**

Part #: 1801980-15

---

## Blade / Engine Speed (RPM) Chart Model CC2500 Concrete Saw

---

**CAUTION:** Do not exceed Bladeshaft speed (RPM) shown for each blade size. Excessive Blade Speed could result in blade breakage and serious personal injury.

Gasoline Engine Speeds				
Blade Size	Bladeshaft		Engine	
	No Load RPM	Sheave Size	No Load RPM	Sheave Size
14"	2,625	4.12"	3,600	3.00
18"	2,625	4.12"	3,600	3.00
20"	2,625	4.12"	3,600	3.00
24"	2,025	4.75"	3,200	3.00
26"	2,025	4.75"	3,200	3.00

Electric Motor Speeds				
Blade Size	Bladeshaft		Motor	
	No Load RPM	Sheave Size	No Load RPM	Sheave Size
14"	2,625	4.12"	3,600	3.00
18"	2,625	4.12"	3,600	3.00
20"	2,625	4.12"	3,600	3.00
24"	2,275	4.75"	3,600	3.00
26"	2,275	4.75"	3,600	3.00

**CAUTION:** When changing blade size, use chart shown below for selecting items that must be changed.

BLADE SIZE	MAX DEPTH OF CUT
14"	4-3/8"
18"	6-3/8"
20"	7-3/8"
24"	9-3/8"
26"	10-3/8"

MODEL CC2500	14"	20"	26"
Blade Guard Assembly	6010950	6010952	6010954
Bladeshaft Sheave (Sheave Size)	6047947 (4.12")	6047947 (4.12")	6047948 (4.75")

## TABLE OF CONTENTS

Quick Reference Service Filters / Belts.....	4	Wiring Diagram, Honda V-Twin (Carb) .....	48
Frame Base Assembly .....	5	Wiring Diagram, Honda V-Twin (EFI).....	49
Upright Assembly.....	6	Water Safety Switch, Honda V-Twin .....	50
Belt and Shield Assembly.....	7	Water Safety Switch, Non-Honda .....	51
Control Panel Assembly (Carb).....	8	Electric Power Raise Option Wiring Diagram .....	52
Control Panel Assembly (EFI).....	9	Hydraulic Power Raise Option Wiring Diagram.....	53
Depth Indicator Assembly .....	11	Water Pump Option Wiring Diagram.....	54
Water Supply Assembly .....	12	Spotlight Option Wiring Diagram .....	55
Frame Lift Assembly .....	13	Decals .....	56
Front Pointer Assembly .....	14	Notes.....	57
Front Axle Assembly.....	15	Warranty .....	Rear Cover
Screw Feed Assembly.....	16		
Blade Shaft Assembly, 14-20".....	18		
Blade Shaft Assembly, 26".....	19		
Battery Assembly .....	20		
Fuel Tank Assembly .....	21		
Rear Axle Assembly .....	23		
Transmission Assembly.....	24		
Engine Assembly, 20.8HP Honda (GX630).....	26		
Engine Assembly, 24.9HP Honda (IGX800)....	29		
Muffler Assembly, Honda .....	31		
Engine Assembly, 25HP Kohler.....	32		
Muffler Assembly, Kohler .....	35		
Blade Guard 14" .....	36		
Blade Guard 20" .....	38		
Blade Guard 26" .....	40		
Hydraulic Power Raise Option .....	42		
Electric Power Raise Option.....	44		
Water Pump Option .....	46		
Spot Light Option .....	47		

## Quick Reference Service Filters/ Belts

<u>DP Part No.</u>	<u>Description</u>	<u>Manufacturer's Part No.</u>
--------------------	--------------------	--------------------------------

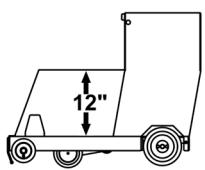
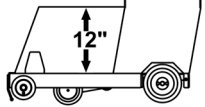
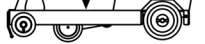
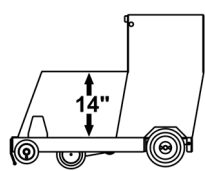
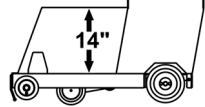

### **Honda**

2501211	Air Filter - 20.8 HP (GX630), 24.9 HP (IGX800)	(Donaldson #P821575)
2703594	Fuel Filter - 20.8 HP (GX630), 24.9 HP (IGX800)	(Honda #16910-Z6L-003)
2702741	Oil Filter - 20.8 HP (GX630), 24.9 HP (IGX800)	(Honda #15400-PLM-A01PE)

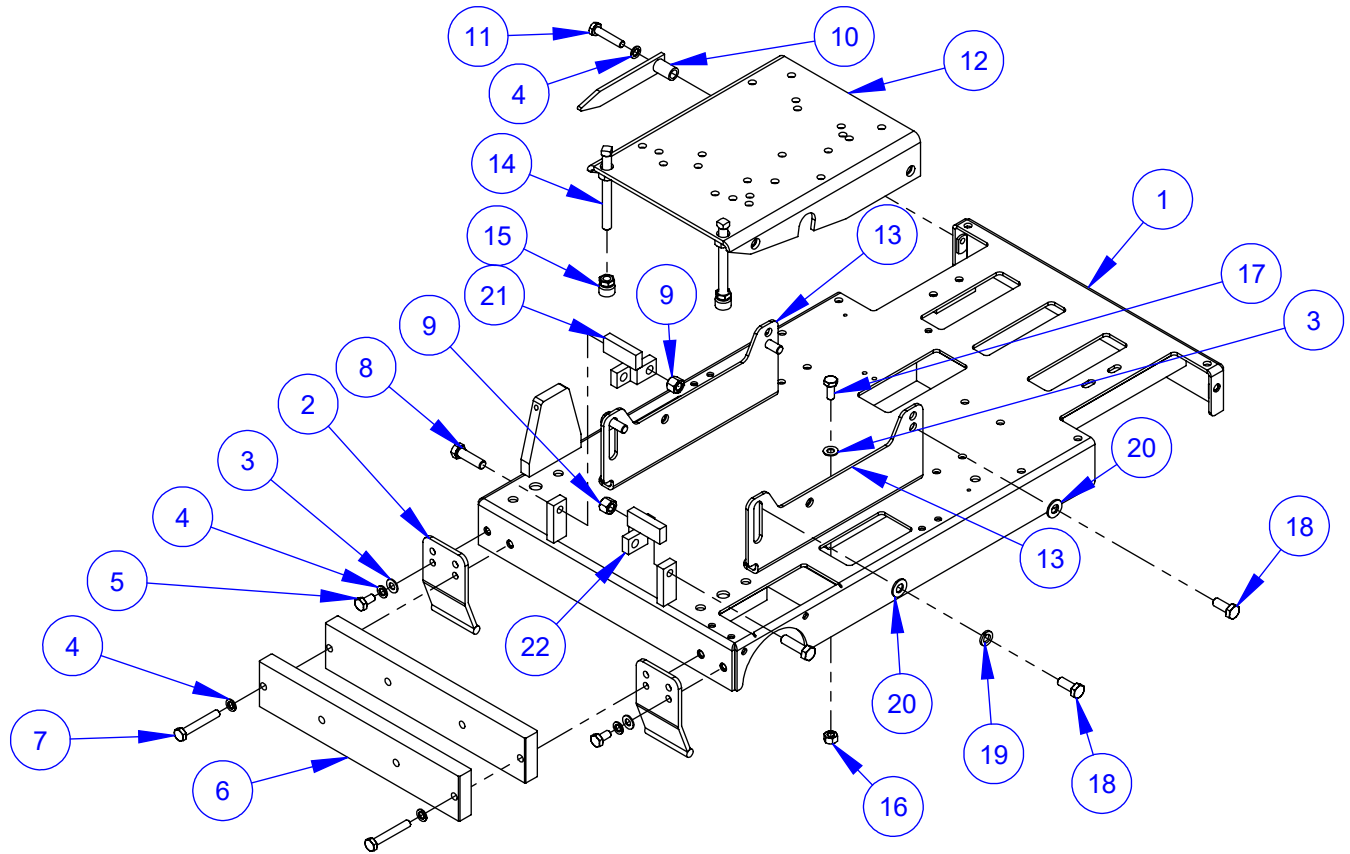
### **Kohler**

2704135	Air Filter - 25 HP Kohler	(Gardner #2508301-S)
2704137	Fuel Filter - 25HP Kohler	(Gardner #KH2405013-S)
2704136	Oil Filter - 25HP Kohler	(Gardner #5205002-S)

### **Blade Shaft & Transmission Belts (2 Variations)**

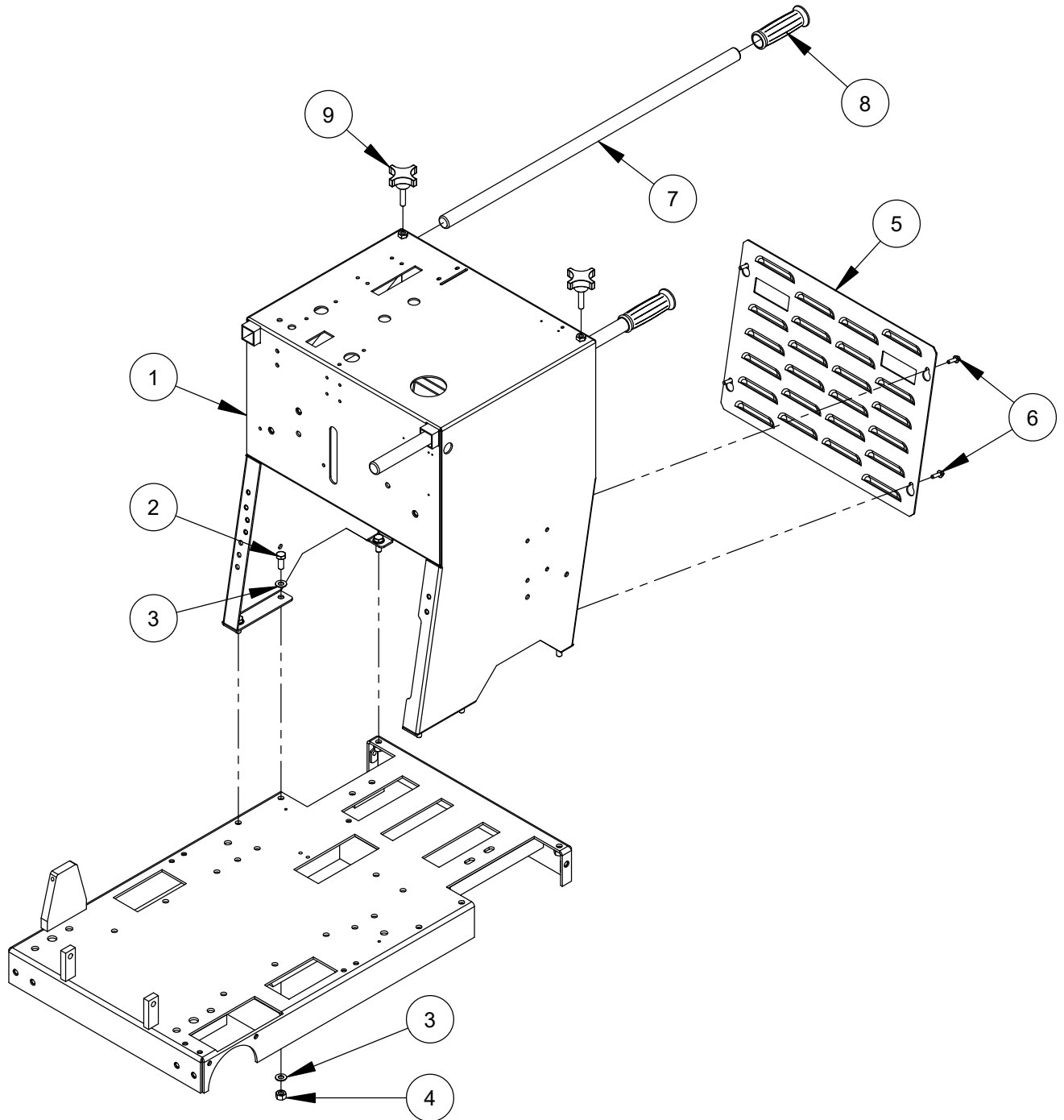
2500792	Honda Blade Shaft Belt (4x-5x)		(Gates #3VX400)
2500793	Kohler Blade Shaft Belt (5x)		(Gates #3VX425)
2500849	Transmission Belt (All Engines)		(Gates #4L-500)
2500793	Honda Blade Shaft Belt (4x-5x)		(Gates #3VX425)
2500794	Kohler Blade Shaft Belt (5x)		(Gates #3VX450)
2503914	Transmission Belt (All Engines)		(Gates #4L-510)

## Frame Base Assembly #6047700



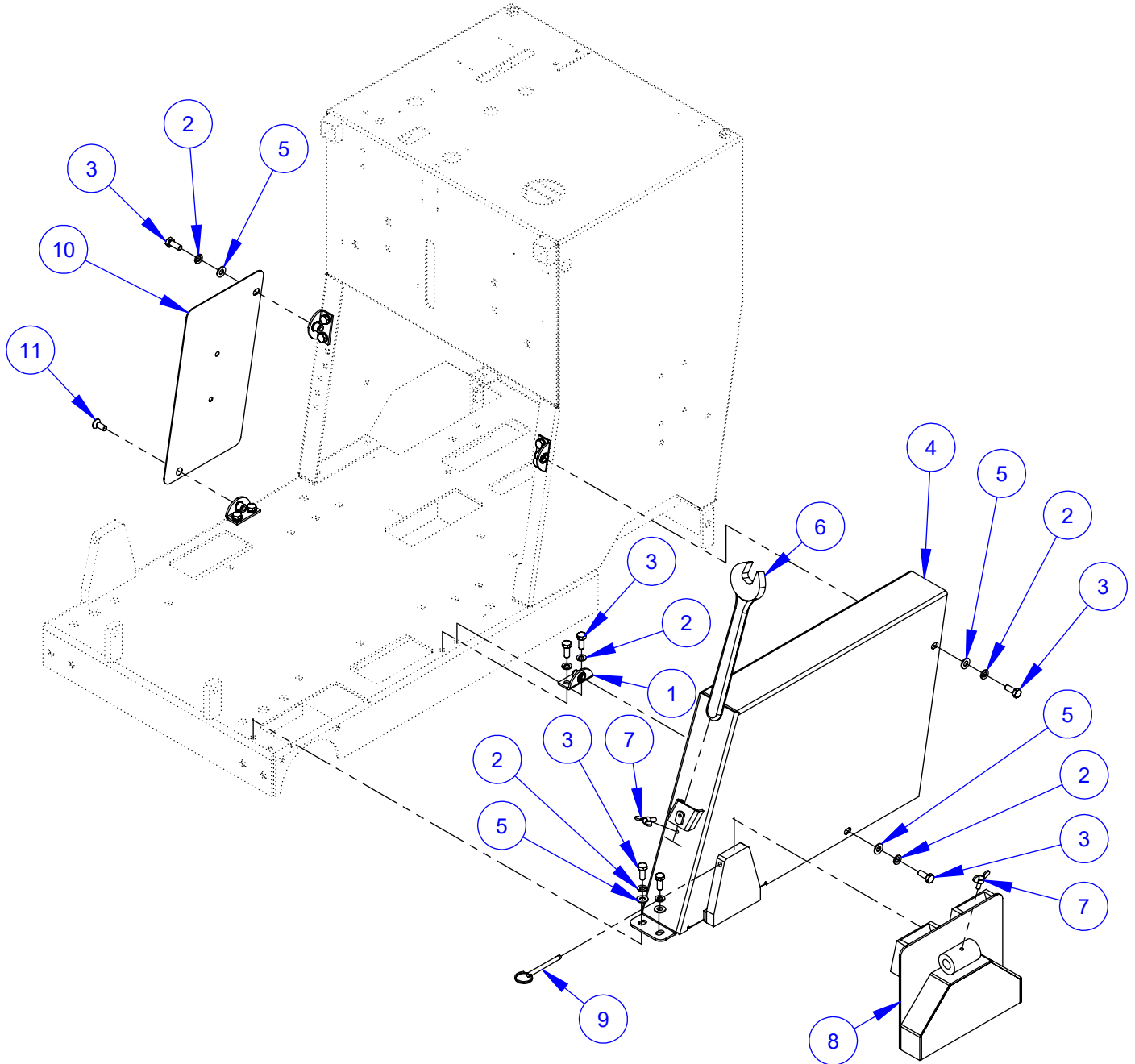
ITEM	PART NO.	QTY.	DESCRIPTION
1	6047900A	1	Frame Base
2	6011021	2	Skid Plate
3	2900014	8	Flat Washer, 3/8" SAE
4	2900321	5	Lock Washer, M10 Split
5	2900314	2	Cap Screw, Hex Hd., M10-1.5 x 20mm
6	6048067	2	Saw Weight, 13 Pound
7	2900334	2	Cap Screw, Hex Hd., M10-1.5 x 70mm
8	2900139	2	Cap Screw, Hex Hd., 1/2-13 x 1-3/4"
9	2900026	2	Lock Nut, 1/2-13 Nylon
10	6010022	1	Rear Pointer
11	2900318	1	Cap Screw, Hex Hd., M10-1.5 x 50mm
12	6041164	1	Engine Base Assembly
13	6047731	2	Engine Base Mount
14	2902649	2	Set Screw, Sq. Hd. 1/2-13 x 5"
15	2900722	2	Swivel Pad, 1/2-13
16	2900304	6	Lock Nut, M10-1.5 Nylon Insert
17	2900333	6	Cap Screw, Hex Hd., M10-1.5 x 25mm
18	2900330	4	Cap Screw, Hex Hd., M12-1.75 x 30mm
19	2900084	2	Lock Washer, 1/2" Split
20	2900058	4	Flat Washer, 1/2" SAE
21	6047070	1	Right Pointer Extension with Stop
22	6047080	1	Left Pointer Extension with Stop

## Upright Assembly #6047701



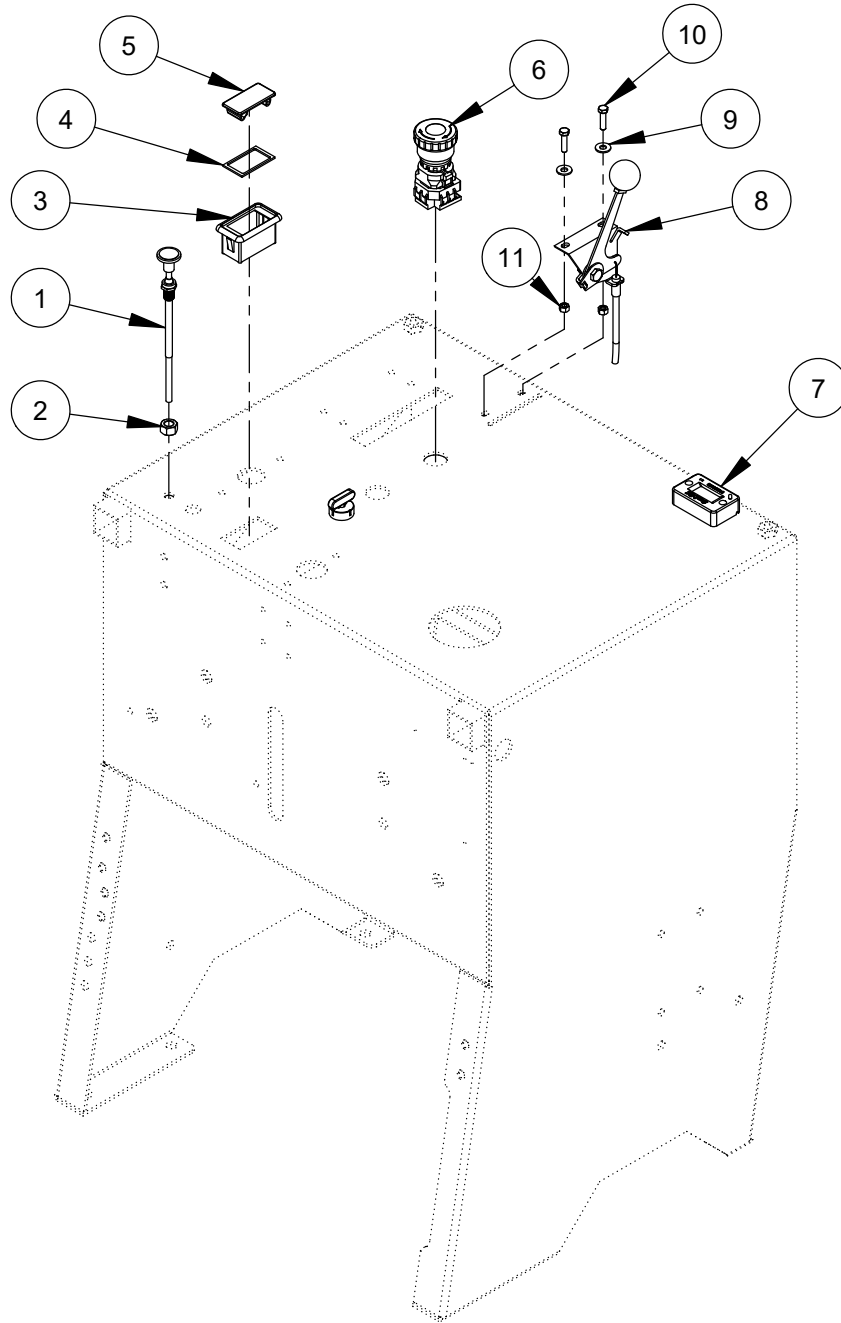
ITEM	PART NO.	QTY.	DESCRIPTION
1	6047901	1	Frame Upright Weldment
2	2900333	6	Cap Screw, Hex Hd., M10 x 25mm
3	2900014	12	Flat Washer, 3/8" SAE
4	2900304	6	Lock Nut, M10-1.5 Nylon Insert
5	6047919	1	Rear Cover Screen
6	2900328	4	Cap Screw, Hex Flange, M6-1.0 x 20mm
7	6013054	2	Handle Bar, 30" Long
8	2500636	2	Handle Grip
9	2900234	2	Hand Lock Knob, 3/8"-16

## Belt and Shield Guard Assembly #6047707



ITEM	PART NO.	QTY.	DESCRIPTION
1	6048064	4	Guard Mounting Tab, M8-1.25
2	2900031	13	Lock Washer, 5/16" Split
3	2900329	13	Cap Screw, Hex Hd., M8-1.25 x 20mm
4	6047733	1	Belt Guard
5	2900022	5	Flat Washer, 5/16" SAE
6	2500211	1	Wrench, 15/16" Open End
7	2900307	2	Wing Screw, M6 x 16mm
8	6010555	1	Shaft/Flange Guard (Narrow)
9	2900156	1	Lock Pin with Ring
10	6048062	1	Slurry Shield
11	2900611	1	Cap Screw, Flat Hd., M8-1.25 x 20mm

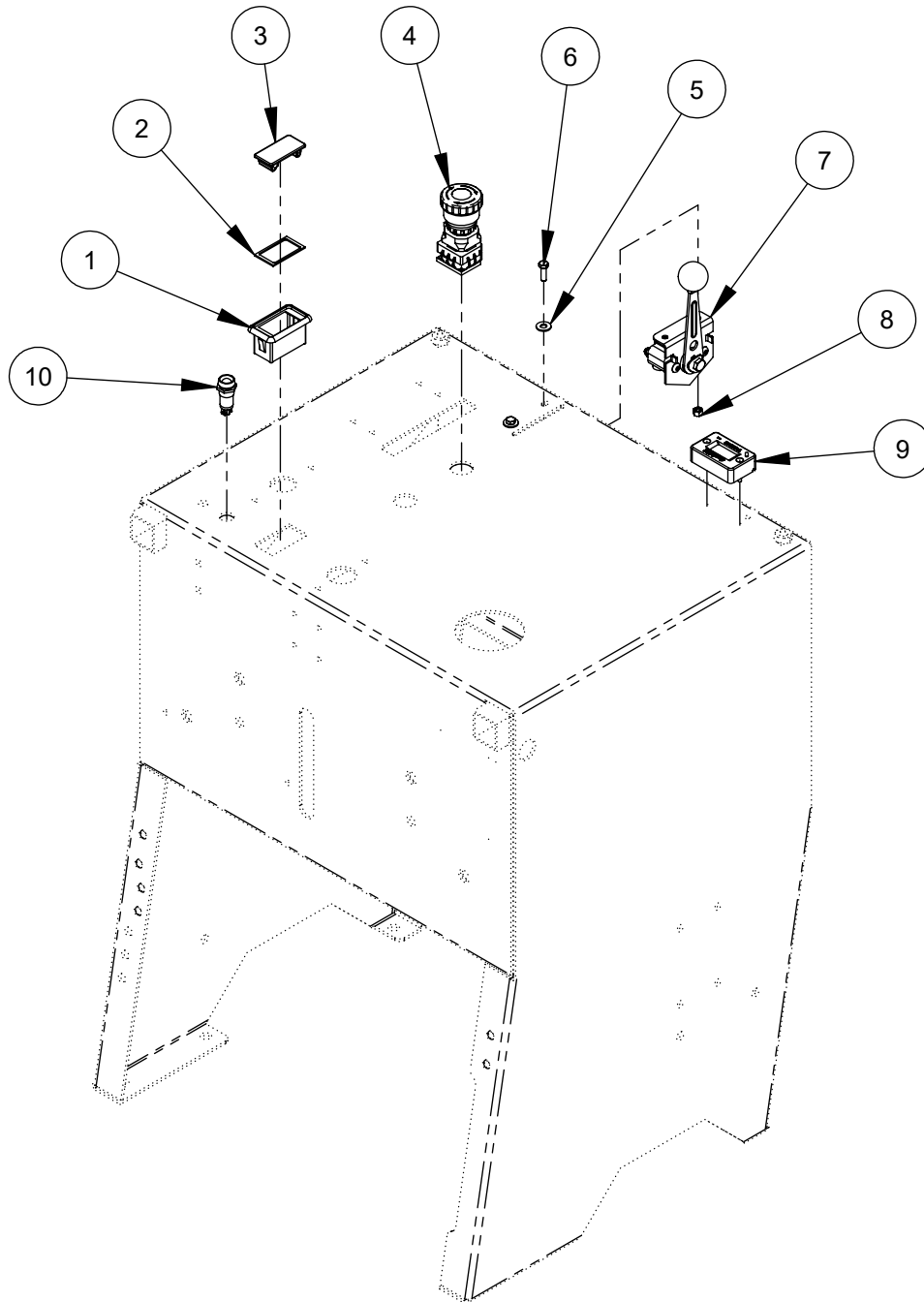
## Control Panel Assembly (Carbureted Engines) #6047708



ITEM	PART NO.	QTY.	DESCRIPTION
1	2500377	1	Choke Cable
2	2900148	1	Hex Nut, 3/8-24
3	2800260	1	Rocker Mount Panel
4	2800261	1	Rocker Panel Gasket
5	2800262	1	Rocker Mount Panel Plug
6	2801367	1	E-Stop Switch
7	2801502	1	Tach/Hour Meter, W/#6 Screws
8	2500810	1	Throttle Control, 36"
9	2900016	2	Flat Washer, #10 USS
10	2900309	2	Cap Screw, Hex Hd., M5-0.8 x 20mm
11	2900301	2	Lock Nut, M5-0.8 Nylon Insert



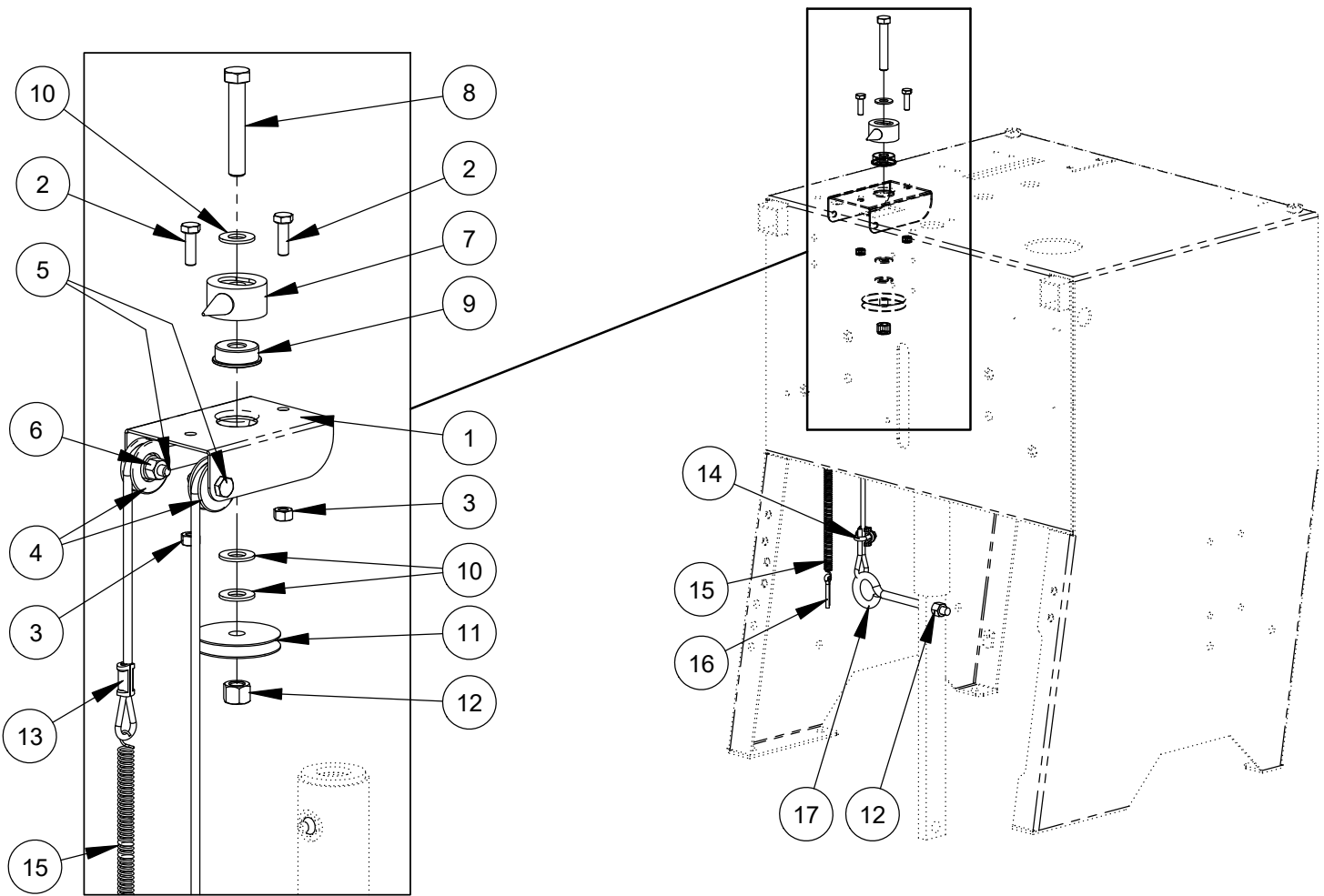
## **Control Panel Assembly (EFI Honda IGX800) #6047306**



ITEM	PART NO.	QTY.	DESCRIPTION
1	2800260	1	Rocker Mount Panel
2	2800261	1	Rocker Panel Gasket
3	2800262	1	Rocker Mount Panel Plug
4	2801367	1	E-Stop Switch
5	2900016	2	Flat Washer, #10 USS
6	2902006	2	Cap Screw, Hex Hd., M5-0.8 x 16mm
7	2505958	1	Honda EFI Throttle Controller
8	2900301	2	Lock Nut, M5-0.8 Nylon Insert
9	2801789	1	Tach/Hour Meter, W/#6 Screws
10	2800915	1	Indicator Light (Red)

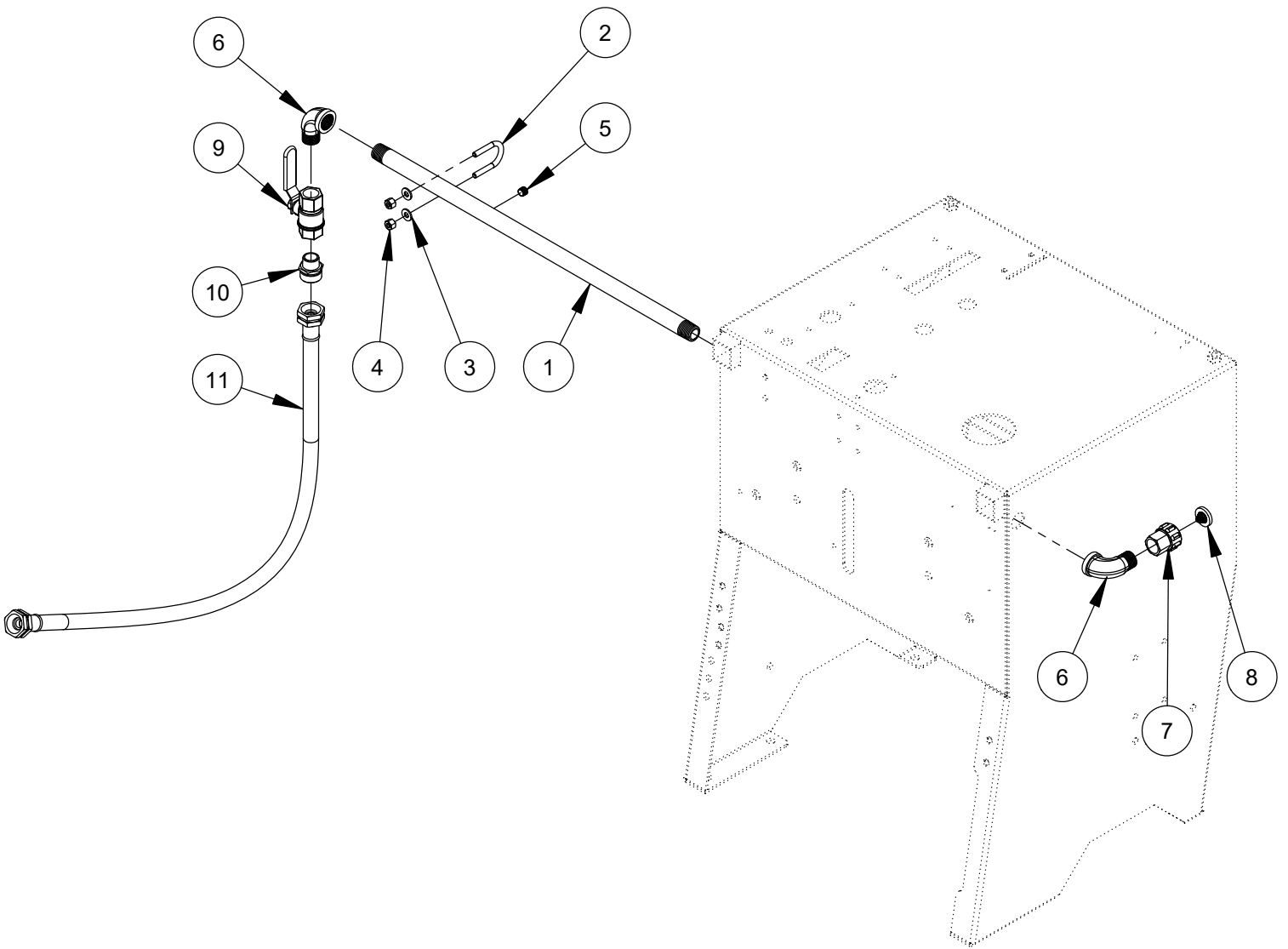


## Depth Indicator Assembly #6047946



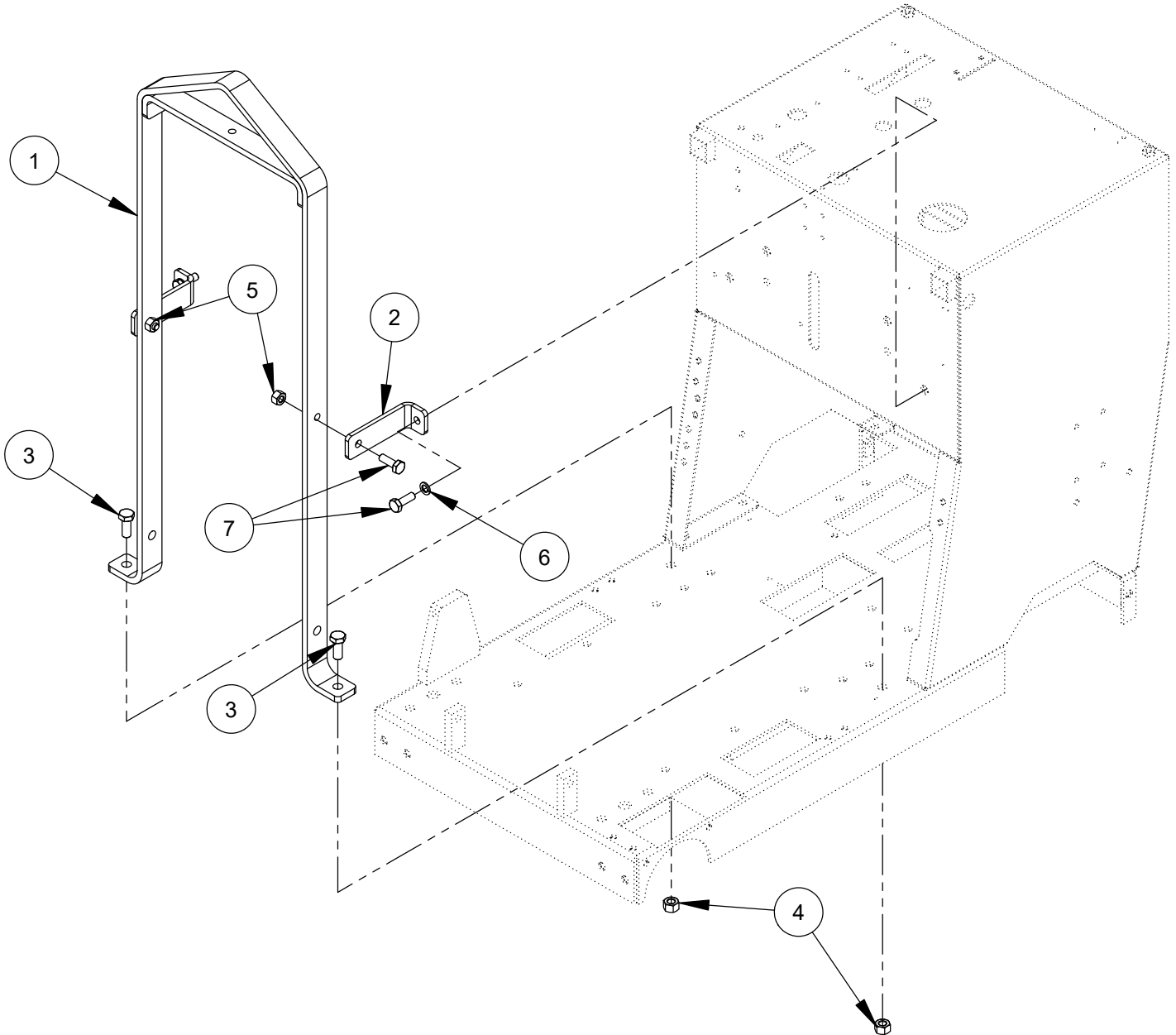
ITEM	PART NO.	QTY.	DESCRIPTION
1	6010092	1	Depth Indicator Mount Bracket
2	2900310	2	Cap Screw, Hex Hd., M6 x 20mm
3	2900302	2	Lock Nut, M6-1.0 Nylon Insert
4	2500155	2	Cable Pulley, 1-1/4"
5	2900008	2	Cap Screw, Hex Hd., 1/4-20 x 1"
6	2900010	2	Lock Nut, 1/4-20 Nylon
7	6010091	1	Depth Indicator Pointer
8	2900079	1	Cap Screw, Hex Hd., 3/8-16 x 2-1/4"
9	2500145	1	Flange Bearing, 3/8"
10	2900014	3	Flat Washer, 3/8" SAE
11	6010093	1	Cable Pulley, 2"
12	2900018	2	Locknut, 3/8-16, Nylon
13	6047989	1	Depth Indicator Cable
14	2500214	1	Cable Clamp
15	2500799	1	Depth Indicator Spring 11"
16	2900055	1	Cotter Pin, 3/16" x 1"
17	2900964	1	Eyebolt, 3/8-16 x 6"

## Water Supply Assembly #6047703



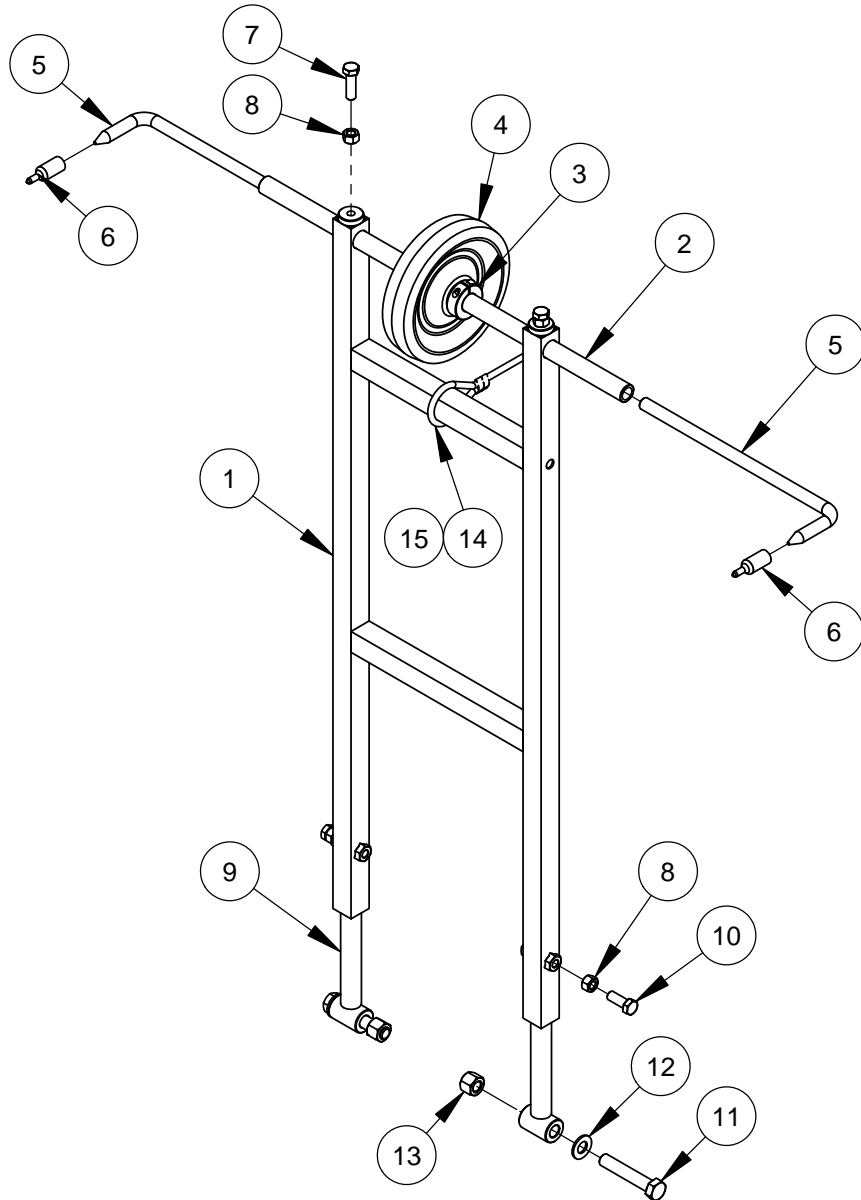
ITEM	PART NO.	QTY.	DESCRIPTION
1	6047938	1	Water Supply Tube
2	2900241	1	U-Bolt, 1/2" Pipe
3	2900009	2	Flat Washer, 1/4" SAE
4	2900010	2	Lock Nut, 1/4-20 Nylon
5	3200001	1	Plug, 1/8" NPT
6	3200013	2	Street Elbow, 1/2" NPT
7	3200022	1	Fitting, 1/2" F. Pipe to 3/4" F. Garden
8	3200025	1	Hose Filter Washer
9	3200027	1	Water Valve
10	3200155	1	Fitting, 1/2" M. Pipe to 3/4" M. Garden
11	6010021	1	Water Hose Assembly 42"

## Frame Lift Assembly #6047706



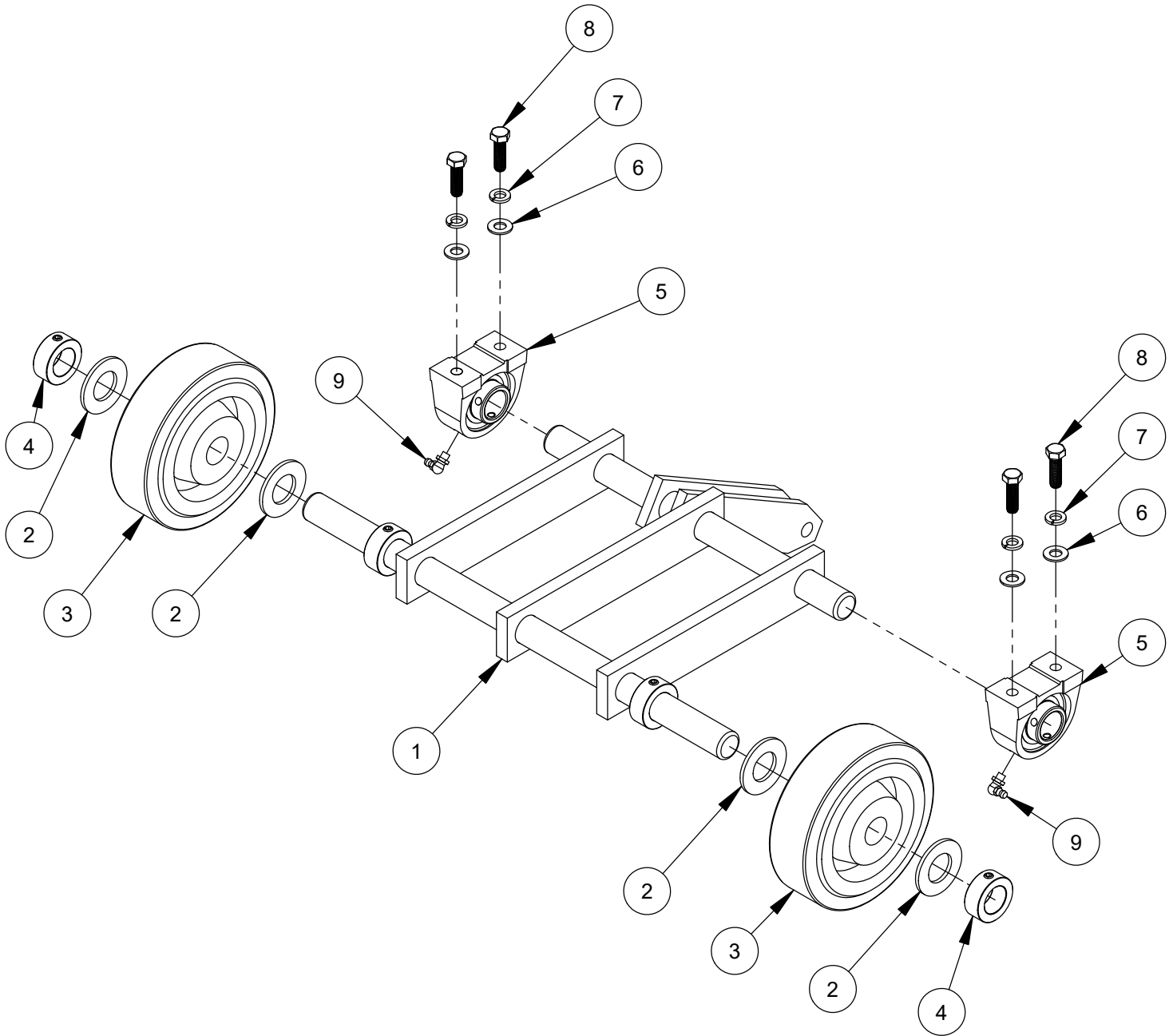
ITEM	PART NO.	QTY.	DESCRIPTION
1	6047952	1	Frame Lift
2	6047953	2	Frame Lift Brace
3	2900330	2	Cap Screw, Hex Hd., M12-1.75 x 30mm
4	2900327	2	Lock Nut, M12-1.75 Nylon Insert
5	2900304	2	Lock Nut, M10-1.5 Nylon Insert
6	2900321	2	Lock Washer, M10 Split
7	2900223	4	Cap Screw, Hex Hd., M10-1.5 x 30mm

## Dual Front Pointer Assembly #6011540



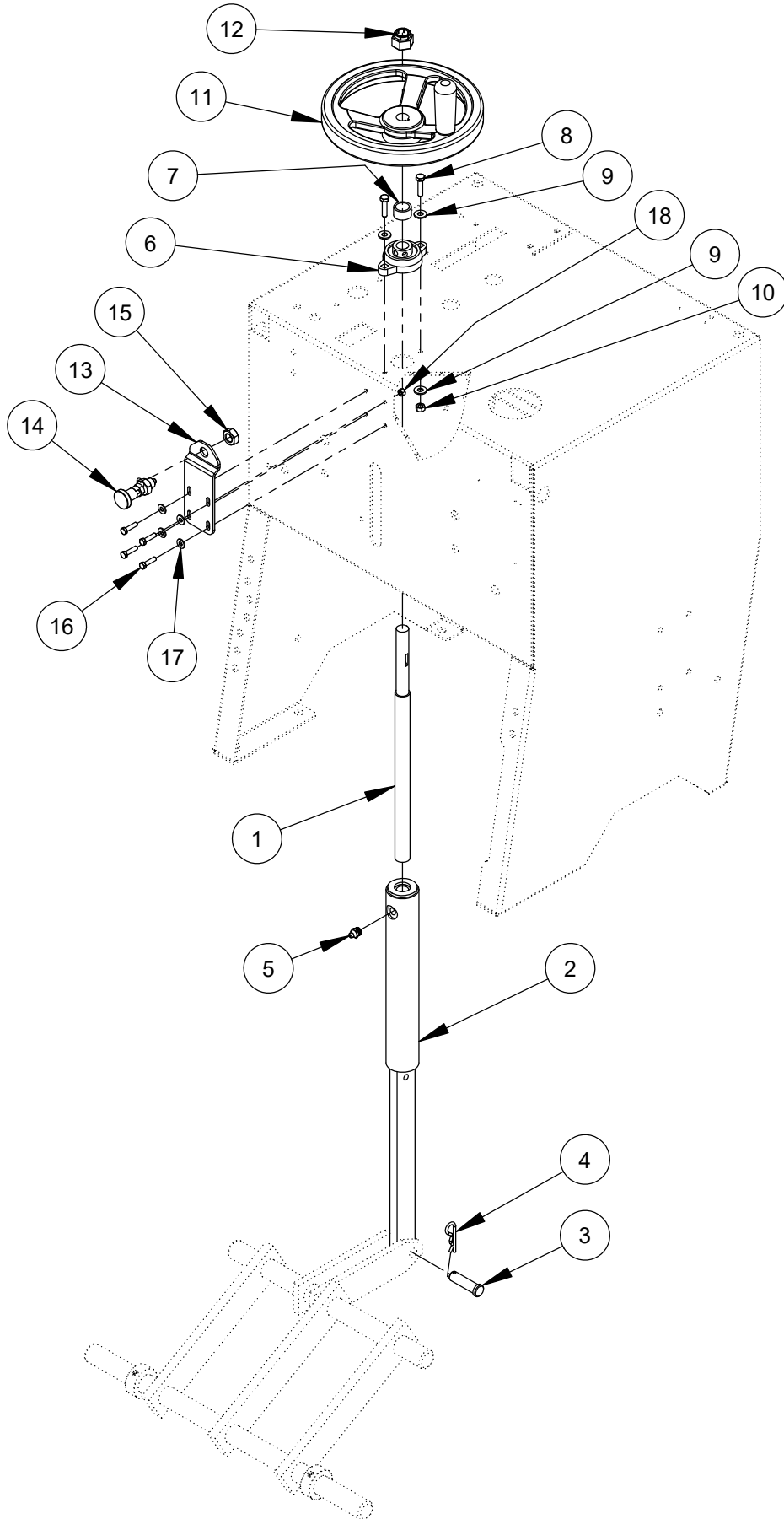
ITEM	PART NO.	QTY.	DESCRIPTION
1	6011537	1	Front Pointer Frame
2	6011539	1	Pointer Tube, 20"
3	2504577	2	Shaft Collar, 3/4" Split
4	2504581	1	Wheel, 6"
5	6011535	2	Front Pointer Rod, 11"
6	2500740	2	Pointer Cap
7	2900013	2	Cap Screw, Hex Hd., 3/8-16 x 1-1/4"
8	2900033	4	Hex Nut, 3/8-16
9	6011152	2	Front Pointer Arm
10	2900005	2	Cap Screw, Hex Hd., 3/8-16 x 1"
11	2900105	2	Cap Screw, Hex Hd., 1/2-13 x 2-3/4"
12	2900239	2	Friction Washer, 1/2"
13	2900026	2	Lock Nut, 1/2-13 Nylon
14	6017241	1	Pointer Rope 11 Foot
15	3200221	2	Pinch Clamp, Two Ear

## Front Axle Assembly #6047936



ITEM	PART NO.	QTY.	DESCRIPTION
1	6047902	1	Front Axle Weldment
2	2900295	4	Flat Washer, 1" SAE
3	2500299	2	Wheel, 6" X 2" X 1"
4	2500009	2	Set Collar, 1" ID
5	2500732	2	Pillow Block Bearing 1"
6	2900014	4	Flat Washer, 3/8" SAE
7	2900006	4	Lock Washer, 3/8" Split
8	2900013	4	3/8-16 X 1.25" Hex Cap Screw
9	2900061	2	Grease Fitting, 1/4-28 x 90 Degree

# Screw Feed Assembly #6047702

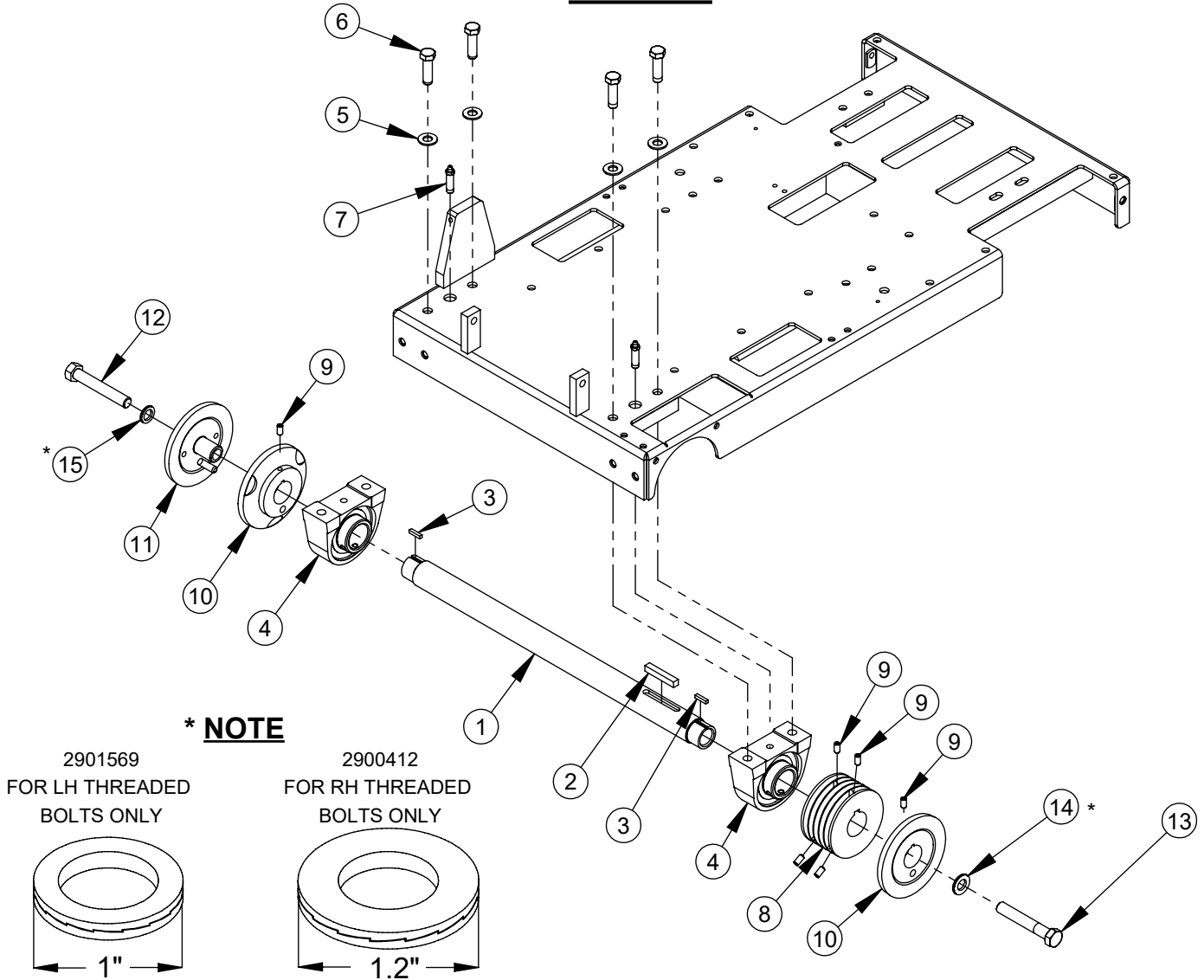




## Screw Feed Assembly #6047702

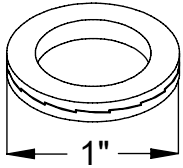
ITEM	PART NO.	QTY.	DESCRIPTION
1	6047929	1	Adjustment Screw
2	6047927	1	Adjustment Shaft
3	2900354	1	Clevis Pin, 1/2" x 1-3/4"
4	2900276	1	Hairpin Cotter
5	2900062	1	Grease Fitting, 1/8" NPT
6	2500807	1	Bearing, 5/8", Two Bolt Flange
7	6047931	1	Spacer Tube 7/8 x 1/2
8	2900311	2	Cap Screw, Hex Hd., M6 x 25mm
9	2900009	4	Flat Washer, 1/4" SAE
10	2900302	2	Lock Nut, M6 Nylon
11	2500800	1	Handwheel, 8" x 5/8"
12	2900355	1	Lock Nut, 5/8-18, Flex Top
13	6047216	1	Bracket, Handwheel Lock
14	2400138	1	Indexing Plunger 1/2-13
15	2900129	1	Jam Nut, 1/2-13
16	2900309	4	Cap Screw, Hex Hd., M5-0.8 x 20mm
17	2900016	4	Flat Washer, #10 USS
18	2900301	4	Lock Nut, M5-0.8 Nylon Insert

**Blade Shaft Assembly (14, 20" Gas/Electric, 26" Hydraulic)  
#6047940**

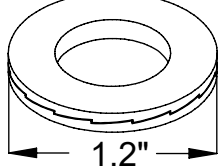


**\* NOTE**

2901569  
FOR LH THREADED  
BOLTS ONLY



2900412  
FOR RH THREADED  
BOLTS ONLY

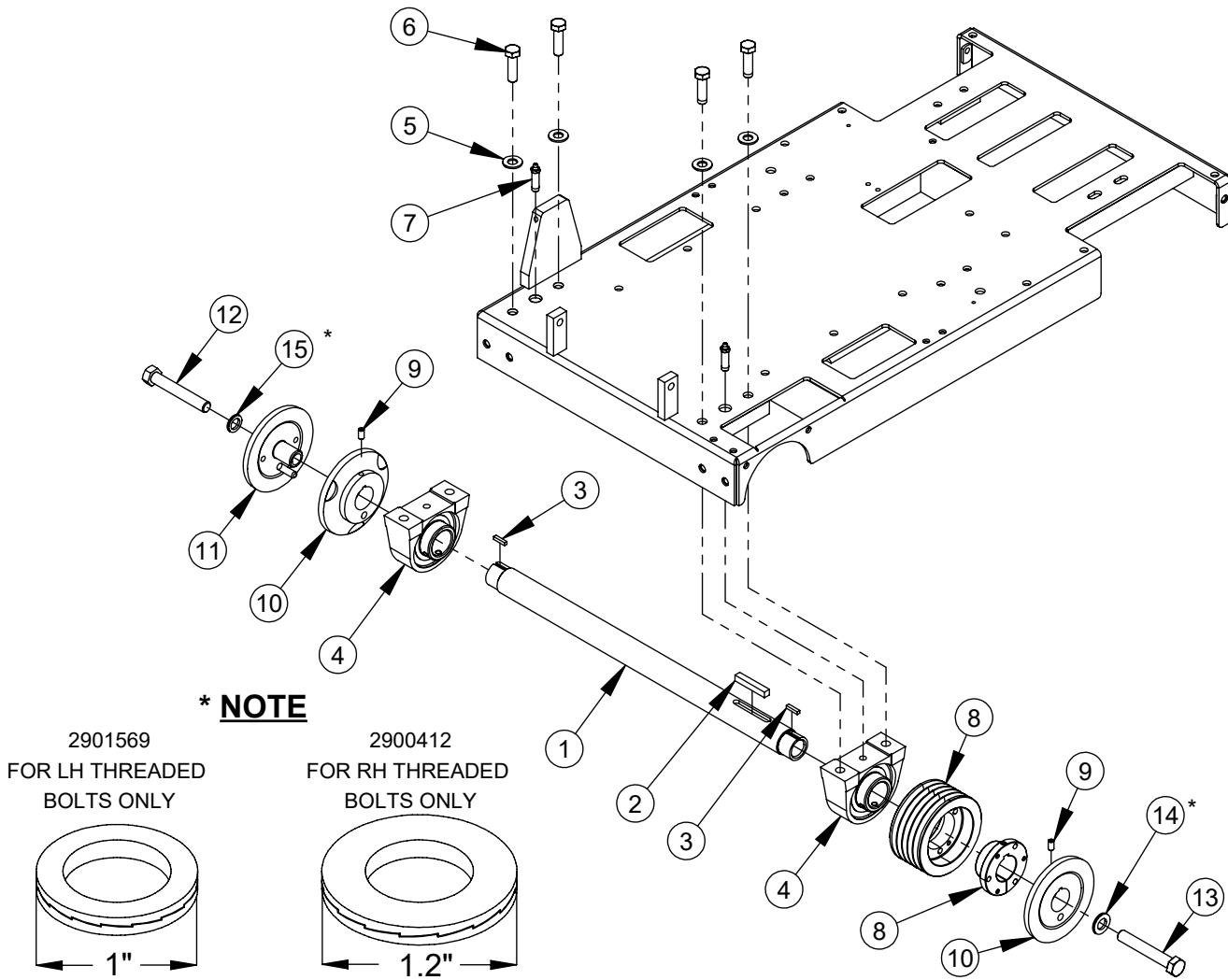


ITEM	PART NO.	QTY.	DESCRIPTION
1	6047905	1	Blade Shaft
2	6047959	1	Key, 3/8" Sq. x 2-1/4"
3	6047978	2	Key, 3/16" Sq. x 27/32"
4	2500731	2	Pillow Block Bearing 1-1/2"
5	2900058	4	Flat Washer, 1/2" SAE
6	2900139	4	Cap Screw, Hex Hd., 1/2-13 x 1-3/4"
7	2900264	2	Grease Fitting, 1/8" NPT x 1-3/4"
8	6047947	1	Sheave, 4.12" x 1-1/2" Bore
9	2900418	6	Set Screw, Soc. Hd., 5/16-18 x 5/8"
10	6047906	2	Inner Flange 5"
11	6047907	1	Outer Flange 5" with Pin
12	2900130	1	Cap Screw, Hex Hd., 5/8-11 x 4" LH
13	2900146	1	Cap Screw, Hex Hd., 5/8-11 x 4"
14	2900412	1	Wedge Lock Washer Pair, 5/8"
15	2901569	1	Wedge Lock Washer Pair, 5/8" LH

\* See Note

\* See Note

## Blade Shaft Assembly (26" Gas/Electric) #6047941

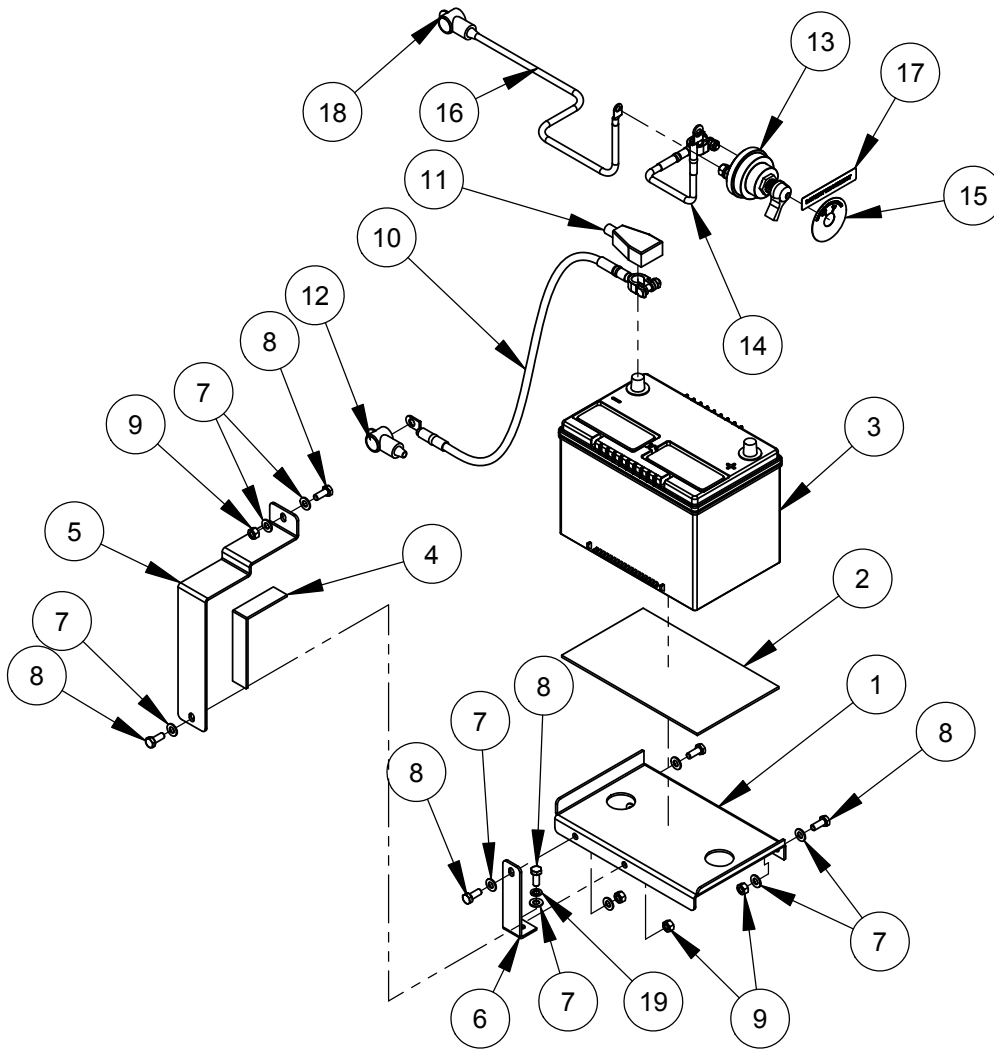


ITEM	PART NO.	QTY.	DESCRIPTION
1	6047905	1	Blade Shaft
2	6047959	1	Key, 3/8" Sq. x 2-1/4"
3	6047978	2	Key, 3/16" Sq. x 27/32"
4	2500731	2	Pillow Block Bearing 1-1/2"
5	2900058	4	Flat Washer, 1/2" SAE
6	2900139	4	Cap Screw, Hex Hd., 1/2-13 x 1-3/4"
7	2900264	2	Grease Fitting, 1/8" NPT x 1-3/4"
8	6047894	1	Sheave, 4.75-5 Groove w/ 1-1/2 QD Bushing
	2505184	1	Sheave, 3V-4.75-5 Groove (SDS)
	2500736	1	Bushing, 1-1/2" QD w/Fasteners
9	2900418	2	Set Screw, Soc. Hd., 5/16-18 x 5/8"
10	6047906	2	Inner Flange 5"
11	6047907	1	Outer Flange 5" with Pin
12	2900130	1	Cap Screw, Hex Hd., 5/8-11 x 4" LH
13	2900146	1	Cap Screw, Hex Hd., 5/8-11 x 4"
14	2900412	1	Wedge Lock Washer Pair, 5/8"
15	2901569	1	Wedge Lock Washer Pair, 5/8" LH

\* See Note

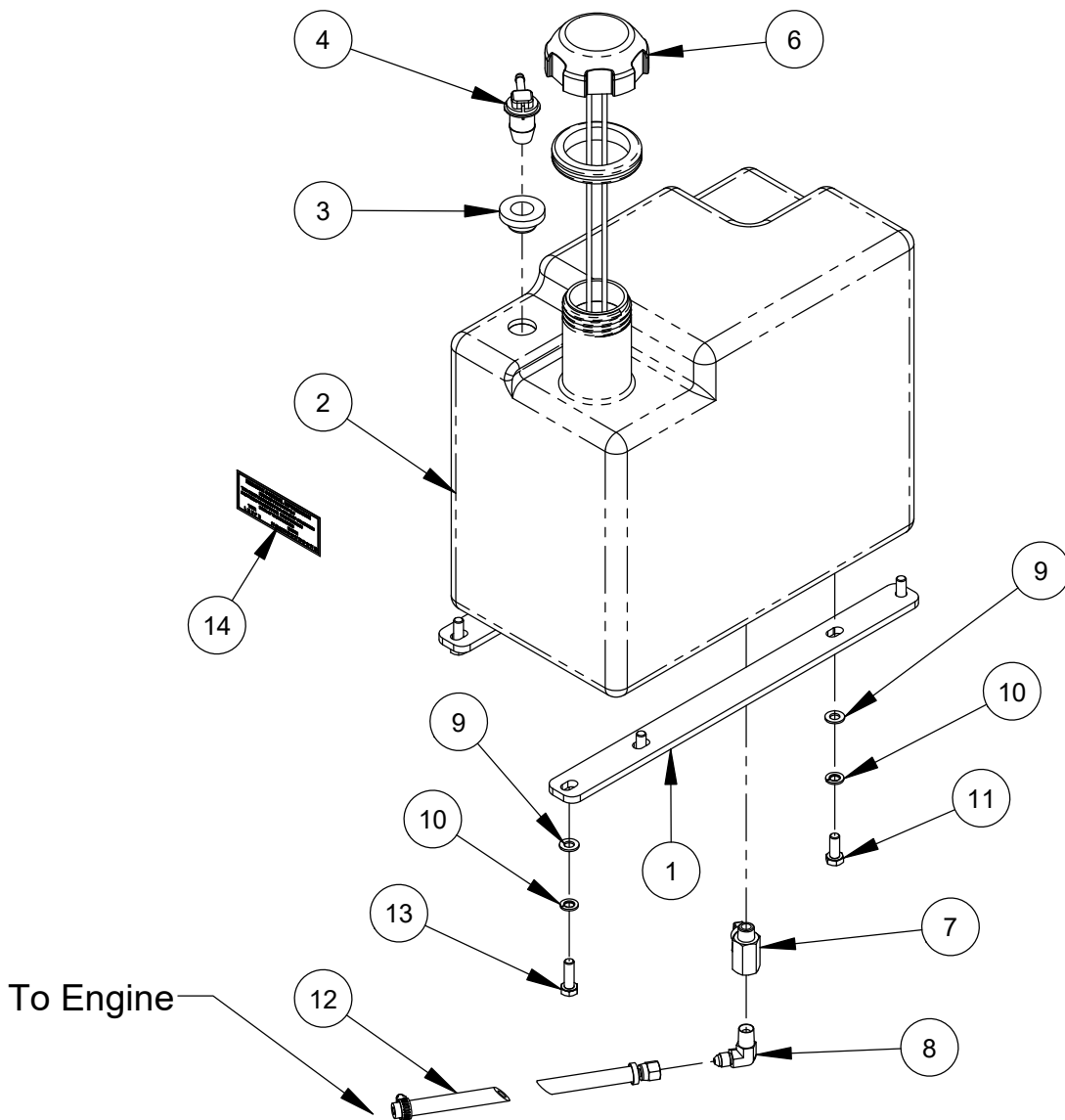
\* See Note

## Battery Assembly #6047958



ITEM	PART NO.	QTY.	DESCRIPTION
1	6047920	1	Battery Holder
2	6010016	1	Battery Pad
3	2700208	1	Battery, 12 Volt Group Size 34
4	6048077	1	Rubber Strip
5	6047922	1	Battery Strap
6	6047921	1	Battery Support Brace
7	2900022	10	Flat Washer, 5/16" SAE
8	2900329	6	Cap Screw, Hex Hd., M8-1.25 x 20mm
9	2900303	5	Lock Nut, M8-1.25 Nylon Insert
10	2800072	1	Battery Cable, 30" Negative (Black)
11	2800257	1	Battery Boot, Large (Black)
12	2800198	1	Battery Boot, Small (Black)
13	2800565	1	Battery Disconnect Switch
14	2800572	1	Battery Cable, 9" Positive (Red)
15	2800566	1	Face Plate, Battery Disconnect
16	6048091	1	Battery Cable Assy., Red
17	1800846	1	Label, Battery Disconnect
18	2800197	1	Battery Boot, Small (Red)
19	2900763	1	Lock Washer, M8 Split

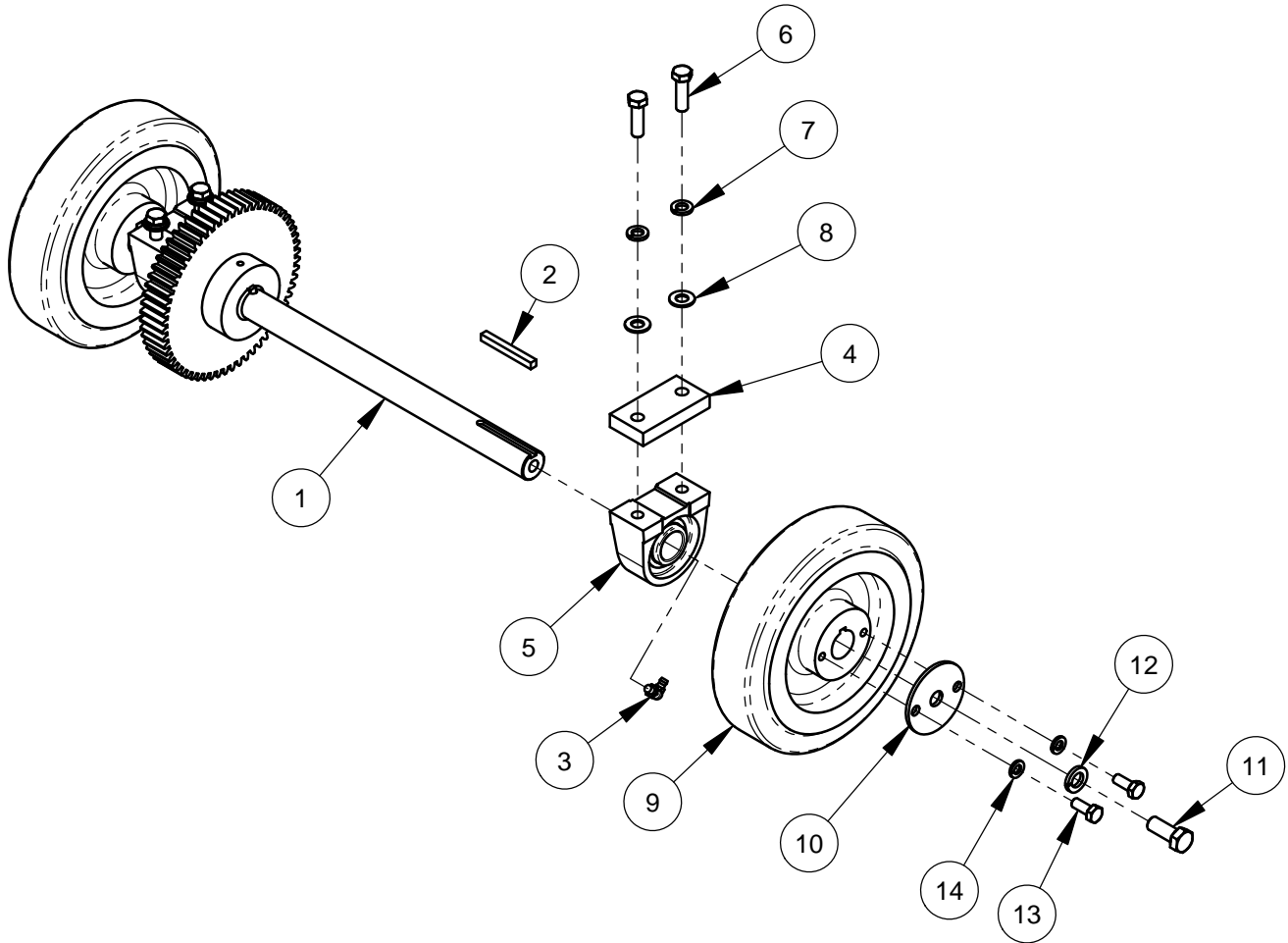
## Fuel Tank Assembly #6048292



ITEM	PART NO.	QTY.	DESCRIPTION
1	6047916	2	Fuel Tank Mount Bar
2	6010869	1	Fuel Tank, 4.4 Gallon
3	2506716	1	Grommet
4	2502484	1	Roll Over Vent, 1/4" Hose Barb
5	2500205	1	Fuel Tank Grommet
6	2503294	1	Fuel Tank Cap, W/Gage
7	3200108	1	Ball Valve, 1/4" NPT
8	3200057	1	Elbow, 1/4" M. Pipe to 1/4" M. JIC
9	2901336	8	Flat Washer, M8
10	2900763	8	Lock Washer, M8 Split
11	2900329	4	Cap Screw, Hex Hd., M8-1.25 x 20mm
12	6010485	1	Hose Assy., Fuel, 1/4 x 24-1/2"
13	2900360	4	Cap Screw, Hex Hd., M8-1.25 x 25mm
14	1801716	1	Decal, EPA EVAP Standard

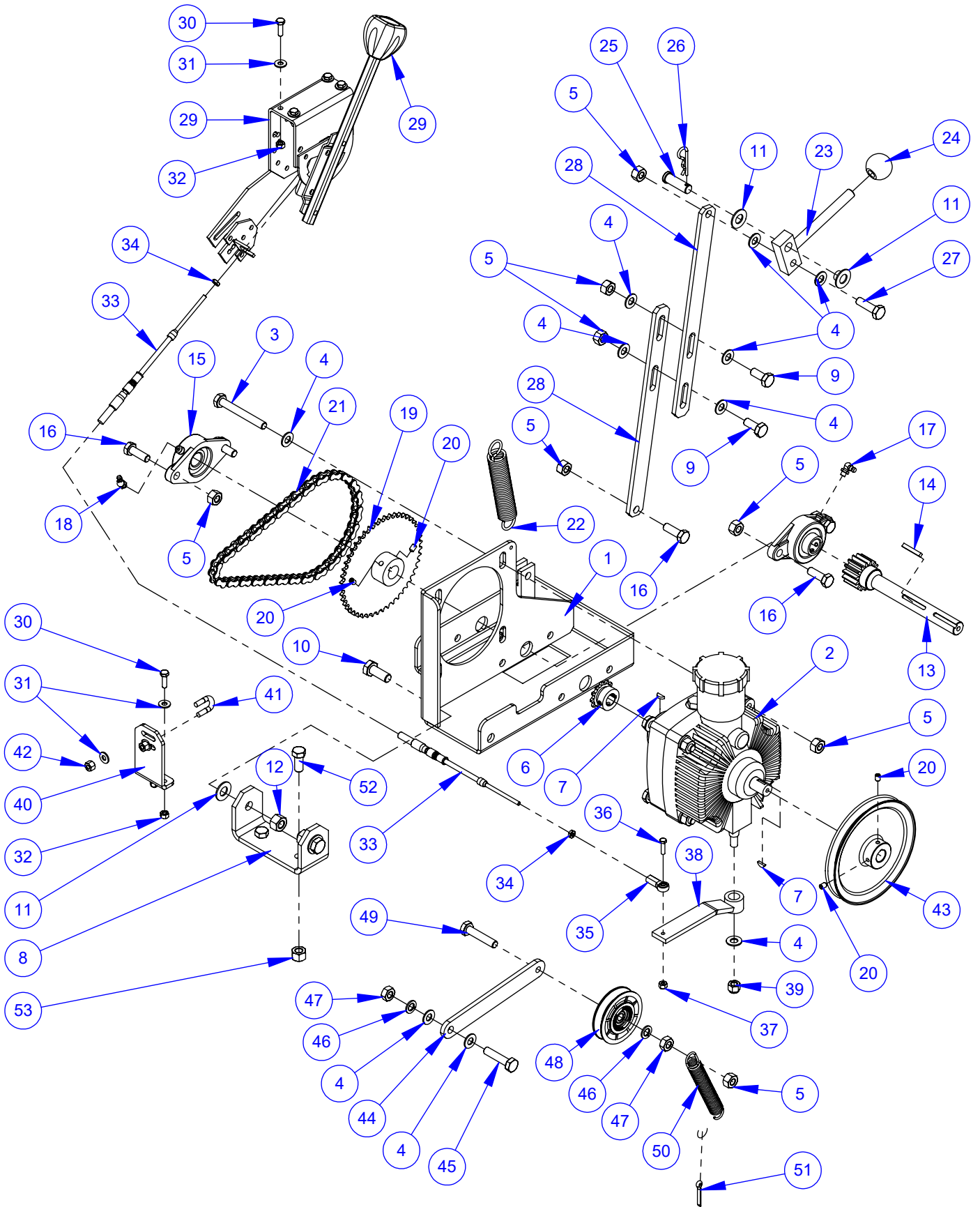


## Rear Axle Assembly #6047993



ITEM	PART NO.	QTY.	DESCRIPTION
1	6047982	1	Rear Axle Weldment w/ 60 Tooth Spur Gear
2	6048134	2	Key, 1/4" Sq. x 2-1/4"
3	2900061	2	Grease Fitting, 1/4-28 x 90 Degree
4	6047904	1	Axle Bearing Spacer 1/2"
5	2500732	2	Pillow Block Bearing 1"
6	2900013	4	Cap Screw, Hex Hd., 3/8-16 x 1-1/4"
7	2900006	4	Lock Washer, 3/8" Split
8	2900014	4	Flat Washer, 3/8" SAE
9	2500724	2	Wheel, 8" Rear
10	6010026	2	Wheel Mount Washer
11	2900330	2	Cap Screw, Hex Hd., M12-1.75 x 30mm
12	2900084	2	Lock Washer, 1/2" Split
13	2900329	4	Cap Screw, Hex Hd., M8-1.25 x 20mm
14	2900031	4	Lock Washer, 5/16" Split

# Transmission Assembly #6049175

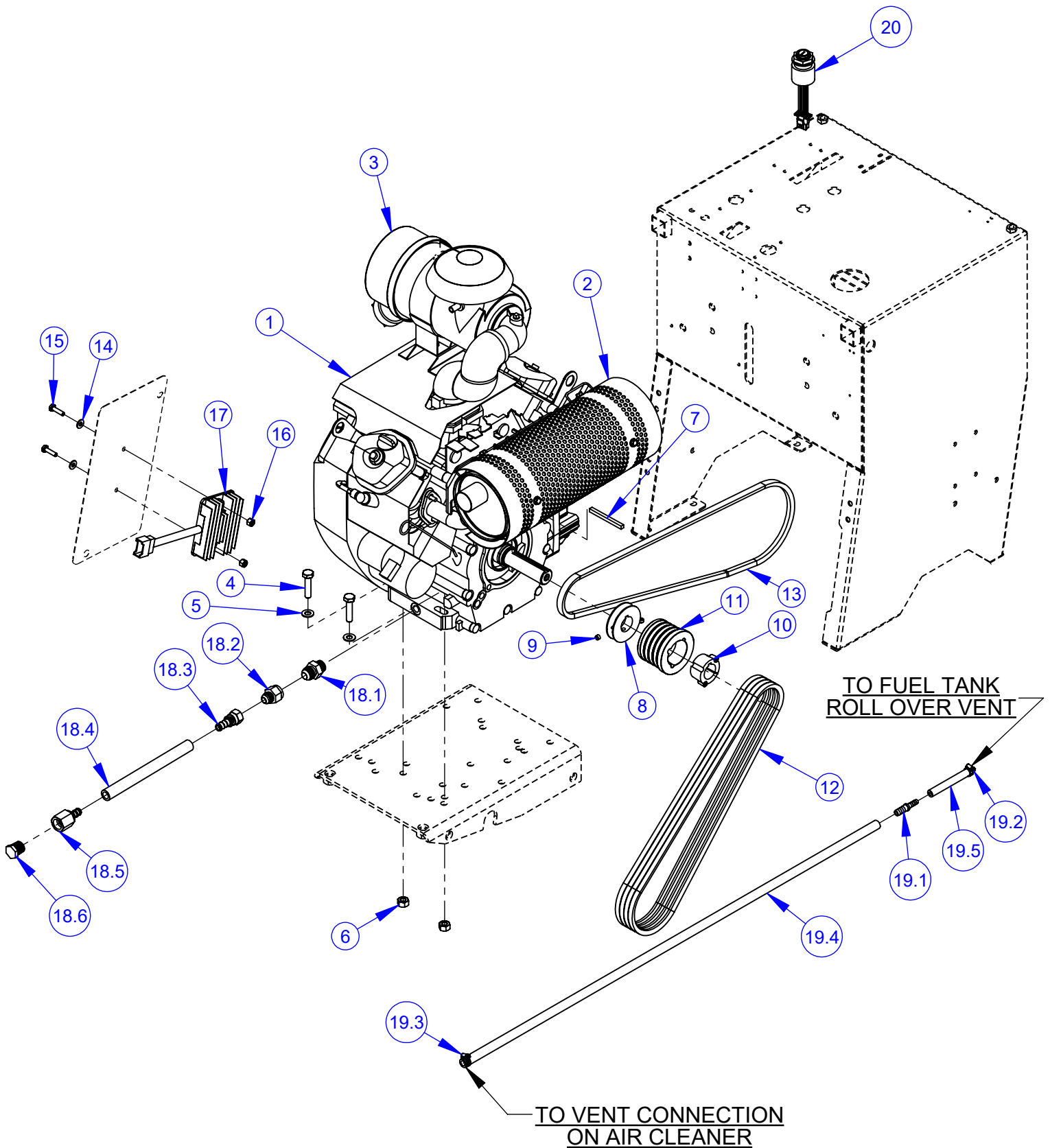




## Transmission Assembly #6049175

ITEM	PART NO.	QTY.	DESCRIPTION
1	6047923	1	Transmission Platform Weldment
2	2600015	1	Eaton 7 Transmission
3	2900319	4	Cap Screw, Hex Hd., M10-1.5 x 80mm
4	2900014	13	Flat Washer, 3/8" SAE
5	2900304	13	Lock Nut, M10-1.5 Nylon Insert
6	2500017	1	Sprocket, 12 Teeth W/ 1/4 Setscrew
7	2900068	2	Woodruff Key #404, 1/8" W x 1/2" Dia.
8	6047924	1	Transmission Pivot Support
9	2900333	2	Cap Screw, Hex Hd., M10-1.5 x 25mm
10	2900330	2	Cap Screw, Hex Hd., M12-1.75 x 30mm
11	2900058	4	Flat Washer, 1/2" SAE
12	2900327	2	Lock Nut, M12-1.75 Nylon Insert
13	6010080	1	Transmission Jackshaft 15T
14	6048229	1	Key, 3/16" Sq. x 1-1/4"
15	2500011	2	Bearing, 3/4" Flange Block
16	2900223	5	Cap Screw, Hex Hd., M10-1.5 x 30mm
17	2900061	1	Grease Fitting, 1/4-28 x 90 Degree
18	2900184	1	Grease Fitting, 1/4-28 x 45 degree
19	2500018	1	Sprocket, 48 Teeth w/ Setscrews
20	2900101	4	Set Screw, Soc. Hd., 1/4-20 x 3/8"
21	6048232	1	Chain, #35 x 63 Pitch
22	2500780	1	Spring, 1" Dia. x 6"
23	6048057	1	Engagement Lever
24	2400007	1	Knob, 1/2-20 x 1-3/8" Dia.
25	2900277	1	Clevis Pin, 1/2" x 1-1/2"
26	2900276	1	Hairpin Cotter
27	2900315	1	Cap Screw, Hex Hd., M10-1.5 x 35mm
28	6047925	2	Linkage
29	2500805	1	Quadco Speed Control
	2500876	1	Knob
30	2900310	6	Cap Screw, Hex Hd., M6-1.0 x 20mm
31	2900009	8	Flat Washer, 1/4" SAE
32	2900302	6	Lock Nut, M6-1.0 Nylon Insert
33	2500806	1	Speed Control Cable
34	2900188	2	Hex Nut, #10-32
35	2500791	1	Rod End, #10-32 Female
36	2900015	1	Machine Screw, Hex Hd., #10-24 x 3/4"
37	2900017	1	Lock Nut, #10-24 Nylon
38	6047926	1	Shift Lever
39	2900018	1	Lock Nut, 3/8-16 Nylon
40	6047943	1	Cable Control Bracket
41	2500818	1	Clamp, 3/16" Cable
42	2900010	2	Lock Nut, 1/4-20 Nylon
43	2500016	1	Pulley, 6"
44	6047732	1	Idler Arm
45	2900317	1	Cap Screw, Hex Hd., M10 x 45mm
46	2900321	2	Lock Washer, M10 Split
47	2900325	2	Hex Nut, M10-1.5
48	2500074	1	Idler Pulley 3"
49	2900337	1	Cap Screw, Hex Hd., M10-1.5 x 50mm, Full Thd.
50	2505689	1	Spring, Ext., .75" x 5.5" L
51	2900055	1	Cotter Pin, 3/16" x 1"
52	2900407	2	Cap Screw, Hex Hd., 7/16-14 x 1"
53	2900045	2	Lock Nut, 7/16-14 Nylon

## 20.8 HP Honda Engine Assembly #6047705

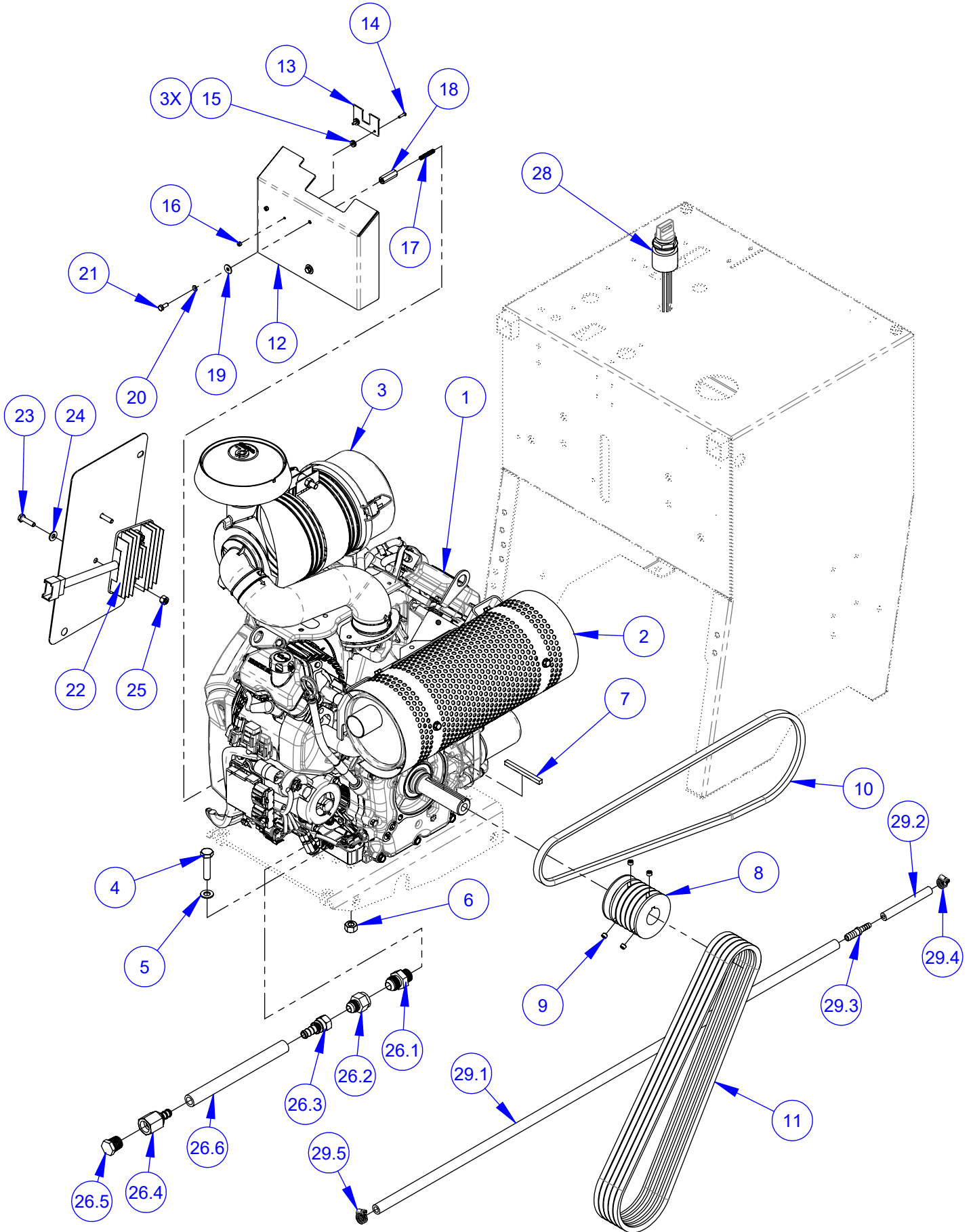


## 20.8 HP Honda Engine Assembly #6047705

ITEM	PART NO.	QTY.	DESCRIPTION
1	2600644	1	Engine, Honda (GX630)
2	2703139	1	Muffler Assembly, High Mount, Left
3	2703556	1	Air Cleaner Assembly
4	2900317	4	Cap Screw, Hex Hd., M10-1.5 x 45mm
5	2900014	4	Flat Washer, 3/8" SAE
6	2900304	4	Lock Nut, M10-1.5 Nylon Insert
7	6047977	1	Key, 1/4" Sq. x 3"
8	6048195	1	Pulley, 1-1/8" Bore
9	2900036	2	Set Screw, Soc. Hd., 5/16-18 x 1/4"
10	2500029	1	Taper Bushing, 1-1/8" with Set Screws
11	2500817	1	Sheave, 3.00-3V-4 Groove
12	2500793	4	V-Belt, 3VX425
13	2503914	1	V-Belt, 4L-510
14	2900009	2	Flat Washer, 1/4" SAE
15	2900008	2	Cap Screw, Hex Hd., 1/4-20 x 1"
16	2900010	2	Lock Nut, 1/4-20 Nylon
17	2701670	1	Rectifier Assembly
18	6048236	1	Oil Drain Hose Assembly
18.1	3200462	1	Fitting, M20 x 1.5 to 5/8" M. JIC
18.2	3200440	1	Fitting, 5/8" F. to 1/2" M. JIC
18.3	3200181	1	Fitting, 1/2" F. JIC to 1/2" Pushlok
18.4	6048264	1	Hose, 1/2" I.D. x 8.25"
18.5	3200163	1	Fitting, 1/2" F. Pipe to 1/2" Push Lock
18.6	3200160	1	Plug, 1/2" NPT
19	6011650	1	Vent Hose Assy., 1/4"-3/8"x44"
19.1	3202925	1	1/4" to 3/8" Hose Barb
19.2	3200062	1	Hose Clamp #4
19.3	3200390	1	Hose Clamp #6
19.4	6011649	1	Fuel Hose Assy., 3/8"x40"
19.5	6010218	1	Fuel Line Hose, 1/4" I.D. x 4"
20	6049059	1	Wire Harness Assembly, Honda

6049059 INCLUDES THE IGNITION SWITCH ASSEMBLY 6049057  
AND THE ENGINE TO IGNITION SWITCH HARNESS ASSEMBLY 6049058  
BOTH ARE AVAILABLE SEPARATELY.

# 24.9 HP Honda IGX800 EFI Engine Assembly #6047305

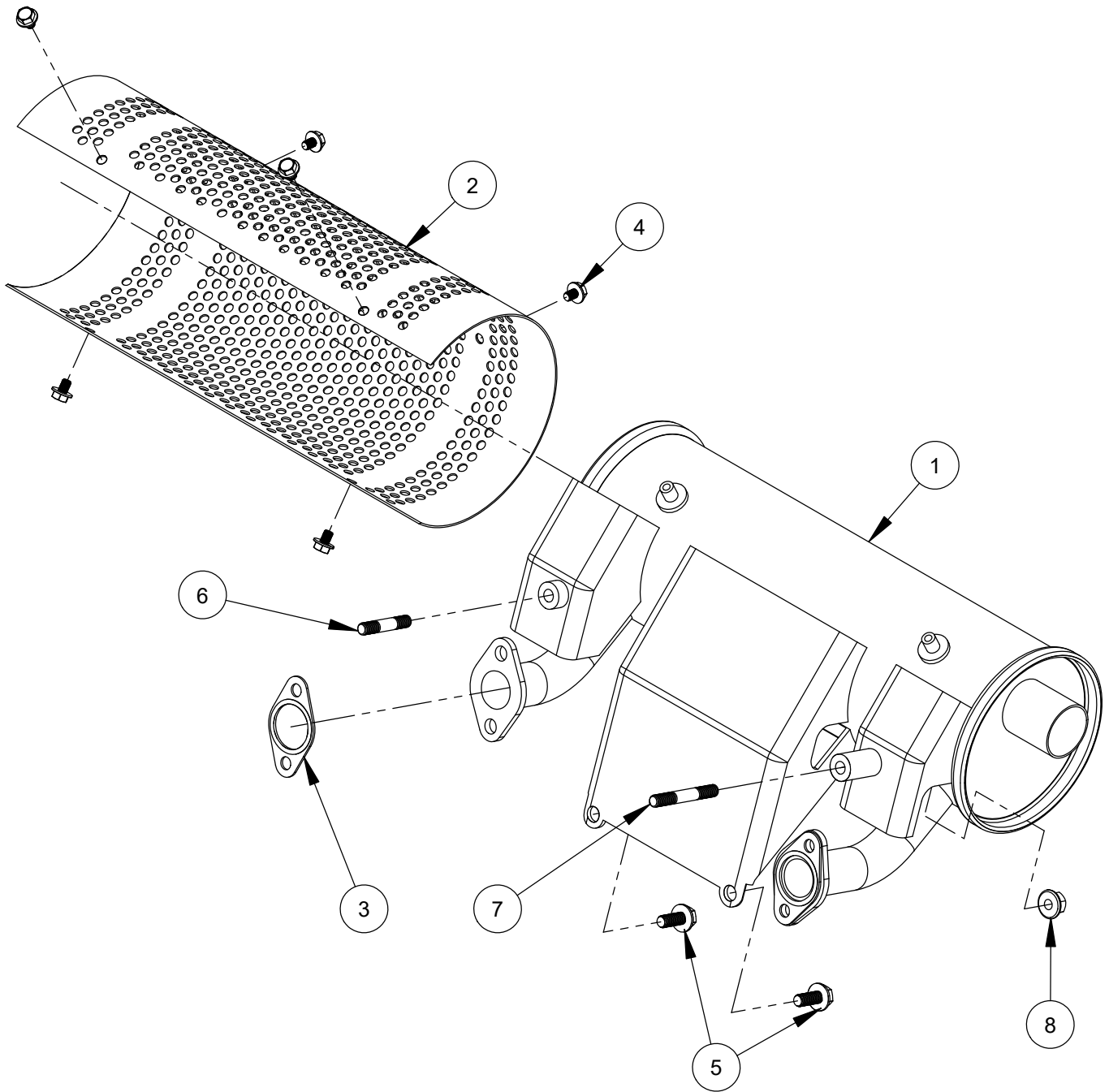


## **24.9 HP Honda IGX800 EFI Engine Assembly #6047305**

ITEM	PART NO.	QTY.	DESCRIPTION
1	6047724	1	Honda IGX800 Engine
2	2703139	1	Muffler Assembly, High Mount, Left
3	2703556	1	Air Cleaner Assembly
4	2900317	4	Cap Screw, Hex Hd., M10-1.5 x 45mm
5	2901356	4	Flat Washer, M10
6	2900304	4	Lock Nut, M10-1.5 Nylon Insert
7	6047977	1	Key, 1/4" Sq. x 3"
8	6047722	1	Sheave, 3" x 1-1/8" Bore
9	2900036	4	Set Screw, Soc. Hd., 5/16-18 x 1/4"
10	2503914	1	V-Belt, 4L-510
11	2500793	5	V-Belt, 3VX425
12	6047064	1	IGX800 ECU Cover
13	6047065	1	Relay Mount Plate
14	2902093	2	Cap Screw, Button Hd., M3-0.5 x 12mm
15	2901311	6	Flat Washer, #6 SAE
16	2902220	2	Lock Nut, M3-0.5 Nylon Insert
17	2902930	2	Low-Strength Steel Threaded Rod
18	6047066	2	Female Threaded Hex Standoff
19	2900770	2	Fender Washer, M5
20	2900767	2	Lock Washer, M5 Split
21	2900339	2	Cap Screw, Hex Hd., M5-0.8 x 12mm
22	2701670	1	Rectifier Assembly
23	2900008	2	Cap Screw, Hex Hd., 1/4-20 x 1"
24	2900009	2	Flat Washer, 1/4" SAE
25	2900010	2	Lock Nut, 1/4-20 Nylon
26	6048236	1	Oil Drain Hose Assembly
26.1	3200462	1	Fitting, M20 x 1.5 to 5/8" M. JIC
26.2	3200440	1	Fitting, 5/8" F. to 1/2" M. JIC
26.3	3200181	1	Fitting, 1/2" F. JIC to 1/2" Pushlok
26.4	3200163	1	Fitting, 1/2" F. Pipe to 1/2" Push Lock
26.5	3200160	1	Plug, 1/2" NPT
26.6	6048264	1	Hose, 1/2" I.D. x 8.25"
27	6047730	1	Wire Harness (Not Shown)
28	2705653	1	Ignition Switch, IGX800 (Comes with engine)
29	6011650	1	Vent Hose Assy., 1/4"-3/8"x44"
29.1	6011649	1	Fuel Hose Assy., 3/8"x40"
29.2	6010218	1	Fuel Line Hose, 1/4" I.D. x 4"
29.3	3202925	1	1/4" to 3/8" Hose Barb
29.4	3200062	1	Hose Clamp #4
29.5	3200390	1	Hose Clamp #6

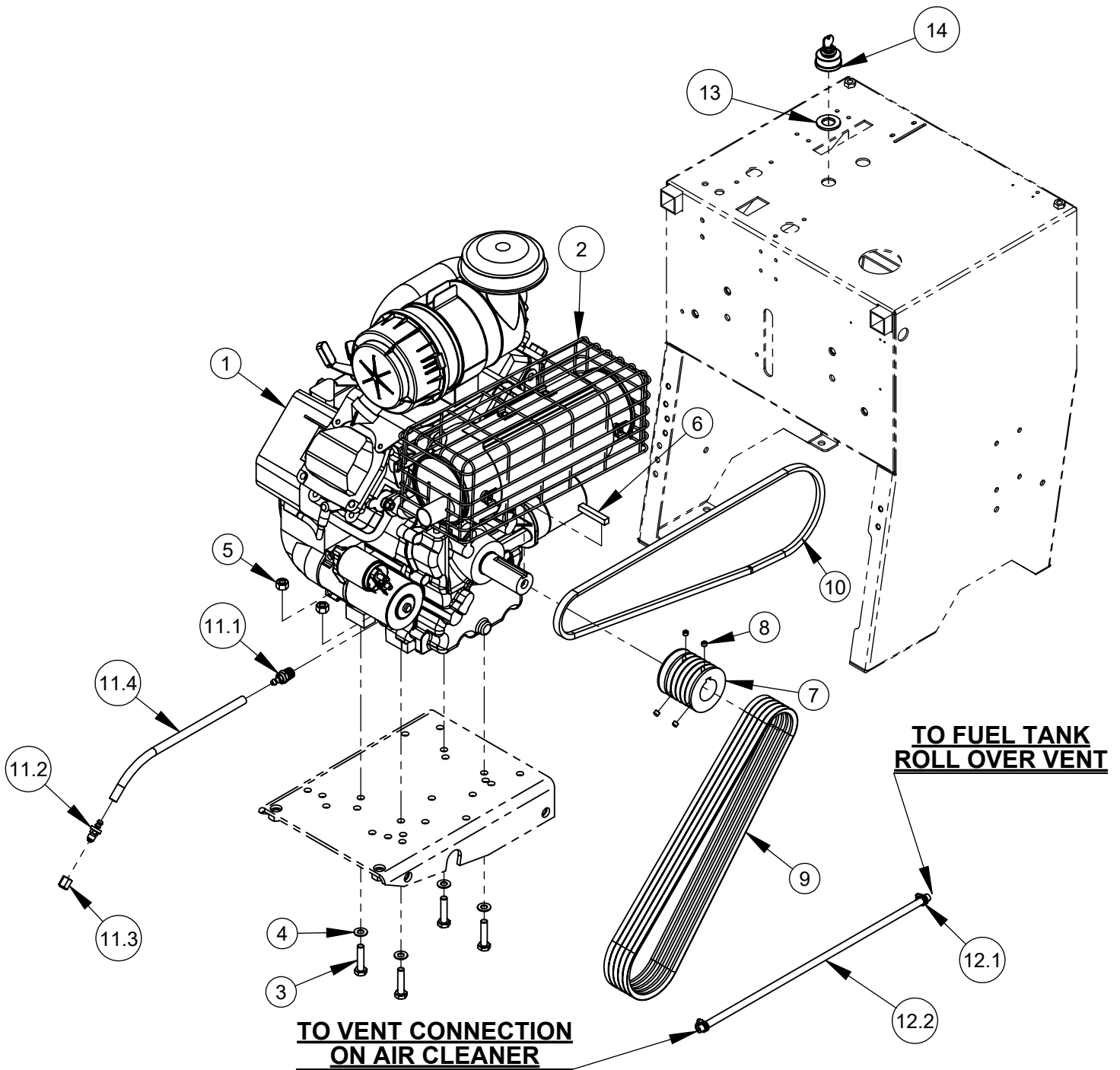


## Honda High Mount Muffler Assembly, Left Side Exhaust #2703139



ITEM	QTY.	DESCRIPTION
1	1	Honda Muffler
2	1	Muffler Protector
3	2	Exhaust Gasket
4	6	Cap Screw, Hex Flange Hd., M6 x 8mm
5	2	Cap Screw, Hex Flange Hd., M8 x 20mm
6	1	Stud, Bolt, M8 x 45mm
7	1	Stud, Bolt, M8 x 60mm
8	2	Hex Nut Flanged, M8

**25 HP Kohler Engine Assembly**  
**#6047710**



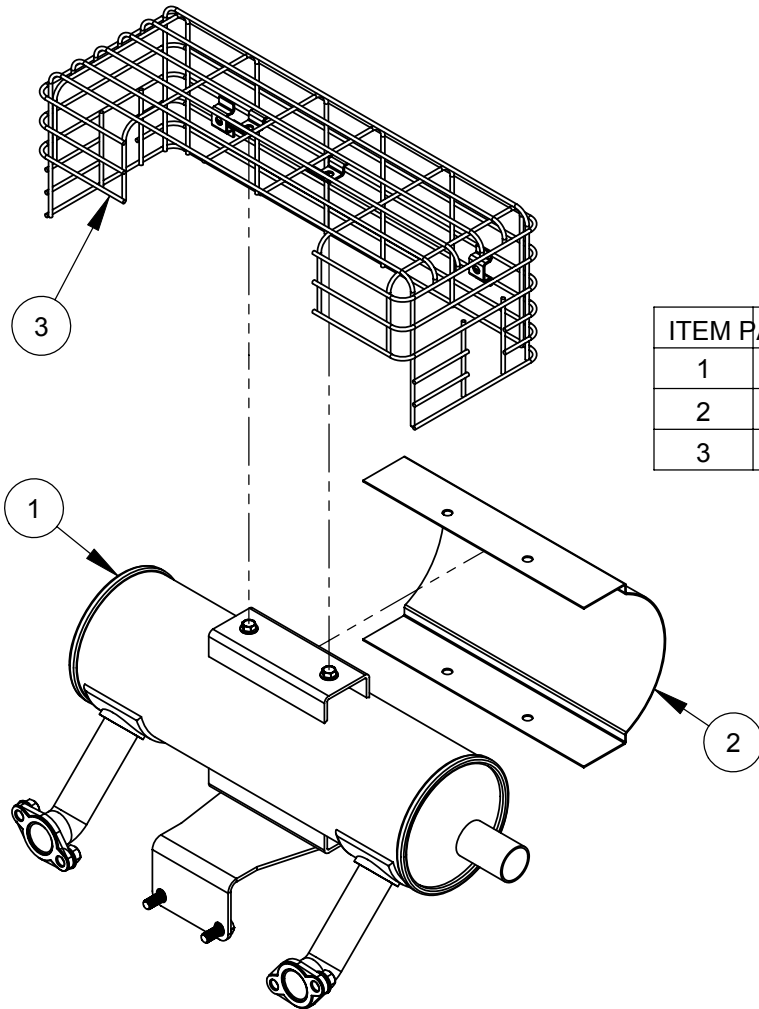


**25 HP Kohler Engine Assembly**  
**#6047710**

ITEM	PART NO.	QTY.	DESCRIPTION
1	6045915	1	Engine, 25HP Kohler Command (Short Shaft)
2	6047897	1	Muffler Assembly-Kohler
3	2900317	4	Cap Screw, Hex Hd., M10-1.5 x 45mm
4	2900014	4	Flat Washer, 3/8" SAE
5	2900304	4	Lock Nut, M10-1.5 Nylon Insert
6	6047959	1	Key, 3/8" Sq. x 2-1/4"
7	6047914	1	Sheave, 3" x 1-7/16" Bore
8	2900036	4	Set Screw, Soc. Hd., 5/16-18 x 1/4"
9	2500794	5	V-Belt, 3VX450
10	2503914	1	V-Belt, 4L-510
11	6047974	1	Oil Drain Hose Assembly, 8-1/4"
11.1	3200070	1	Fitting, 3/8" MPT to 1/4" Pushlok
11.2	3200040	1	Fitting, 1/4" M. JIC to 1/4" Push Lock
11.3	3200006	1	Cap, 1/4" JIC
11.4	6047955	1	Hose, 1/4" I.D. x 12"
12	6010498	1	Fuel Line Assembly
12.1	3200062	2	Hose Clamp #4
12.2	6011392	1	Hose, 3/16" ID x20"
13	2900003	1	Flat Washer, 3/4" SAE
14	2700892	1	Ignition Switch w/ Key (27KC)
15	2700885	1	Wiring Harness (Not Shown)



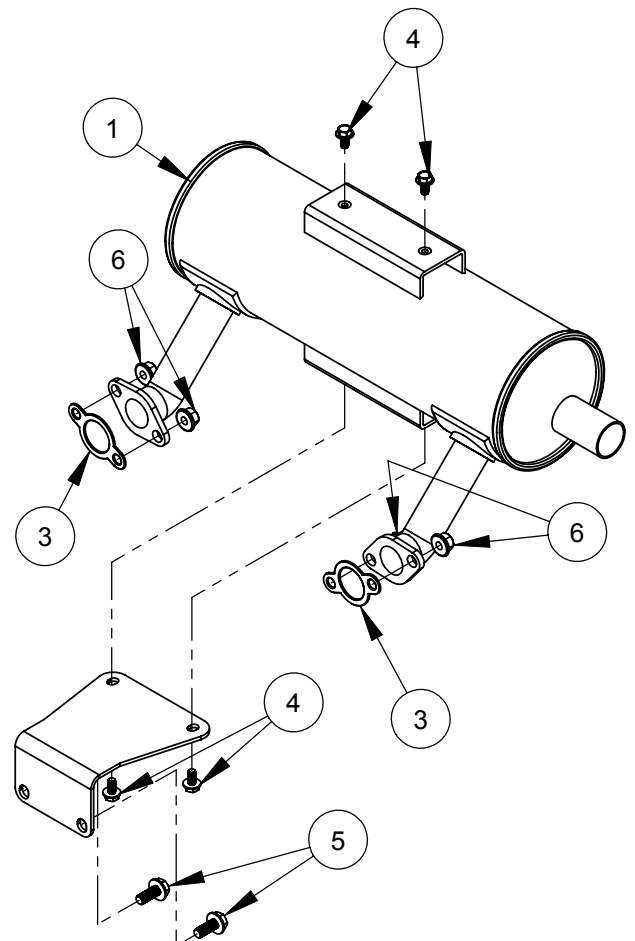
## 25HP Kohler Muffler Assembly #6047897



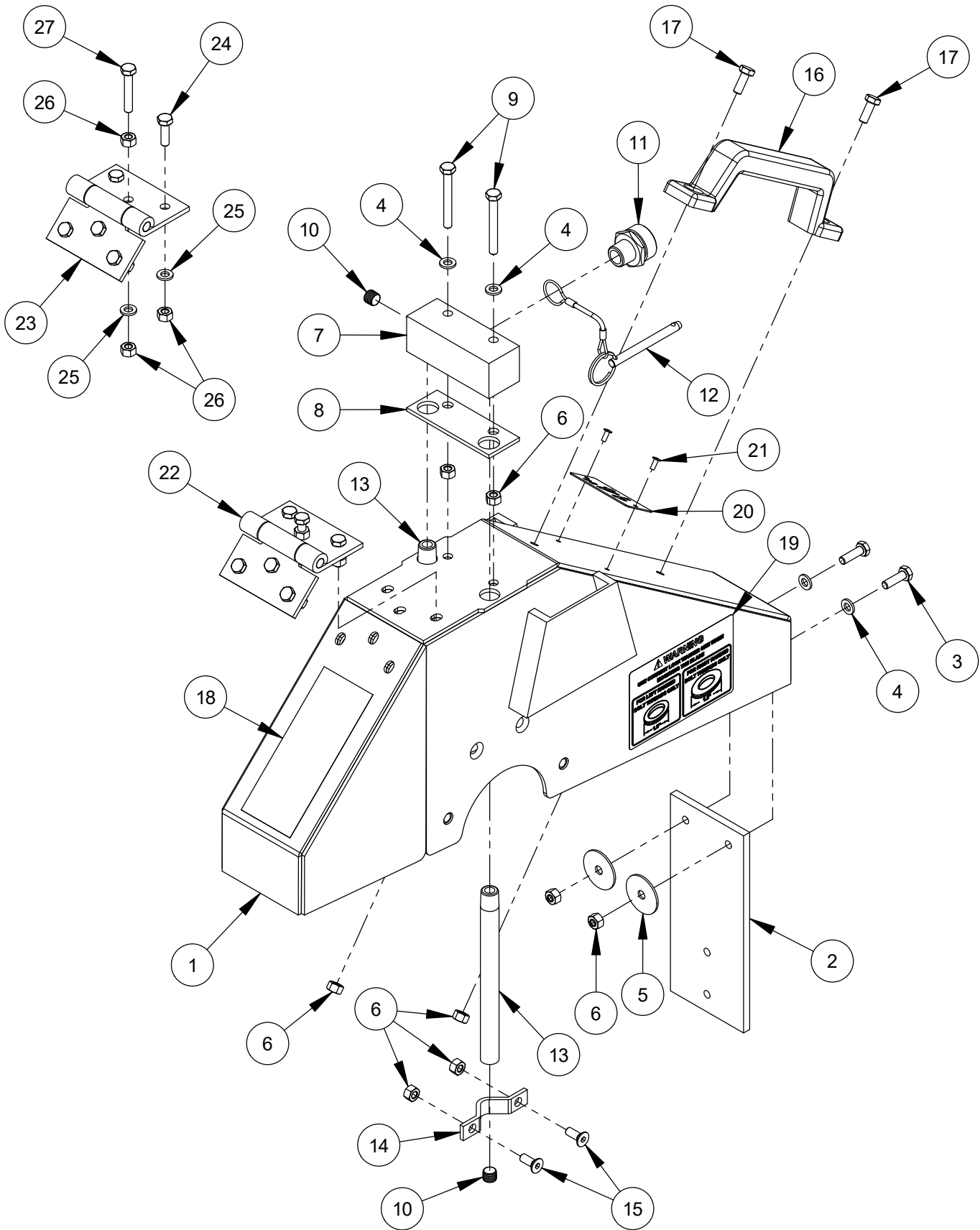
ITEM	PART NO.	QTY.	DESCRIPTION
1	2701252	1	Muffler Assembly
2	2701277	1	Heat Shield
3	2701253	1	Muffler Guard

## 25HP Kohler Muffler #2701252

ITEM	QTY.	DESCRIPTION
1	1	Muffler
2	1	Muffler Mounting Bracket
3	2	Exhaust Gasket
4	4	Cap Screw, Hex Flange Hd., M6 x 12mm
5	2	Cap Screw, Hex Flange Hd., M8 x 20mm
6	4	Hex Nut Flanged, M8



# 14" Blade Guard Assembly #6010950

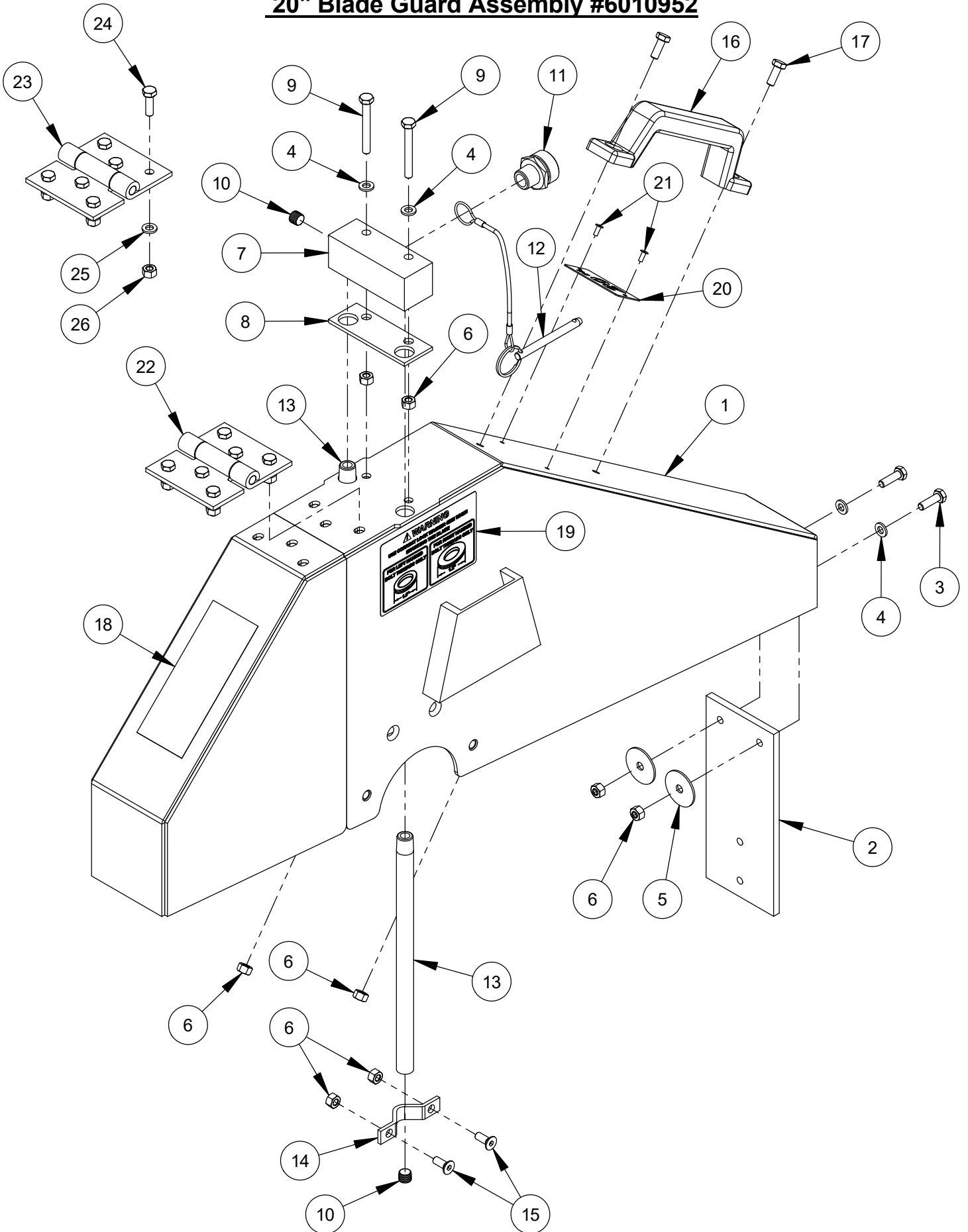


## 14" Blade Guard Assembly #6010950

ITEM	PART NO.	QTY.	DESCRIPTION
1	6010601	1	14" Blade Guard Front & Rear Only
2	6010081	1	Splash Flap
3	2900310	2	Cap Screw, Hex Hd., M6-1.0 x 20mm
4	2901494	4	Flat Washer, M6
5	2900083	2	Fender Washer, 1/4" x 1-1/4"
6	2900302	10	Lock Nut, M6-1.0 Nylon Insert
7	6010261	1	Water Manifold
8	2500830	1	Water Manifold Gasket
9	2901355	2	Cap Screw, Hex Hd., M6-1.0 x 50mm
10	3200001	3	Plug, 1/8" NPT
11	3200002	1	Fitting, 3/8" M. Pipe to 3/4" M. Garden
12	2900278	1	Lanyard with Lock Pin
13	6048283	2	Water Tube for 14" Guard
14	6048155	2	Water Tube Clamp
15	2900308	4	Cap Screw, Flat Hd., M6-1.0 x 16mm
16	2506125	1	Grab Handle
17	2900341	2	Cap Screw, Hex Hd., M6-1.0 x 16mm
18	1800001	1	Warning Label
19	1802090	2	Label, Wedge Locking Washer
20	1801369A	1	Blade Guard Size Tag
21	2900287	2	Rivet, 1/8" Dia.
22	6048026	1	Hinge Assembly

ITEM	PART NO.	QTY.	DESCRIPTION
23	2500270	1	Blade Guard Hinge
24	2900310	5	Cap Screw, Hex Hd., M6-1.0 x 20mm
25	2901494	6	Flat Washer, M6
26	2900302	7	Lock Nut, M6-1.0 Nylon Insert
27	2900312	1	Cap Screw, Hex Hd., M6-1.0 x 35mm

# 20" Blade Guard Assembly #6010952

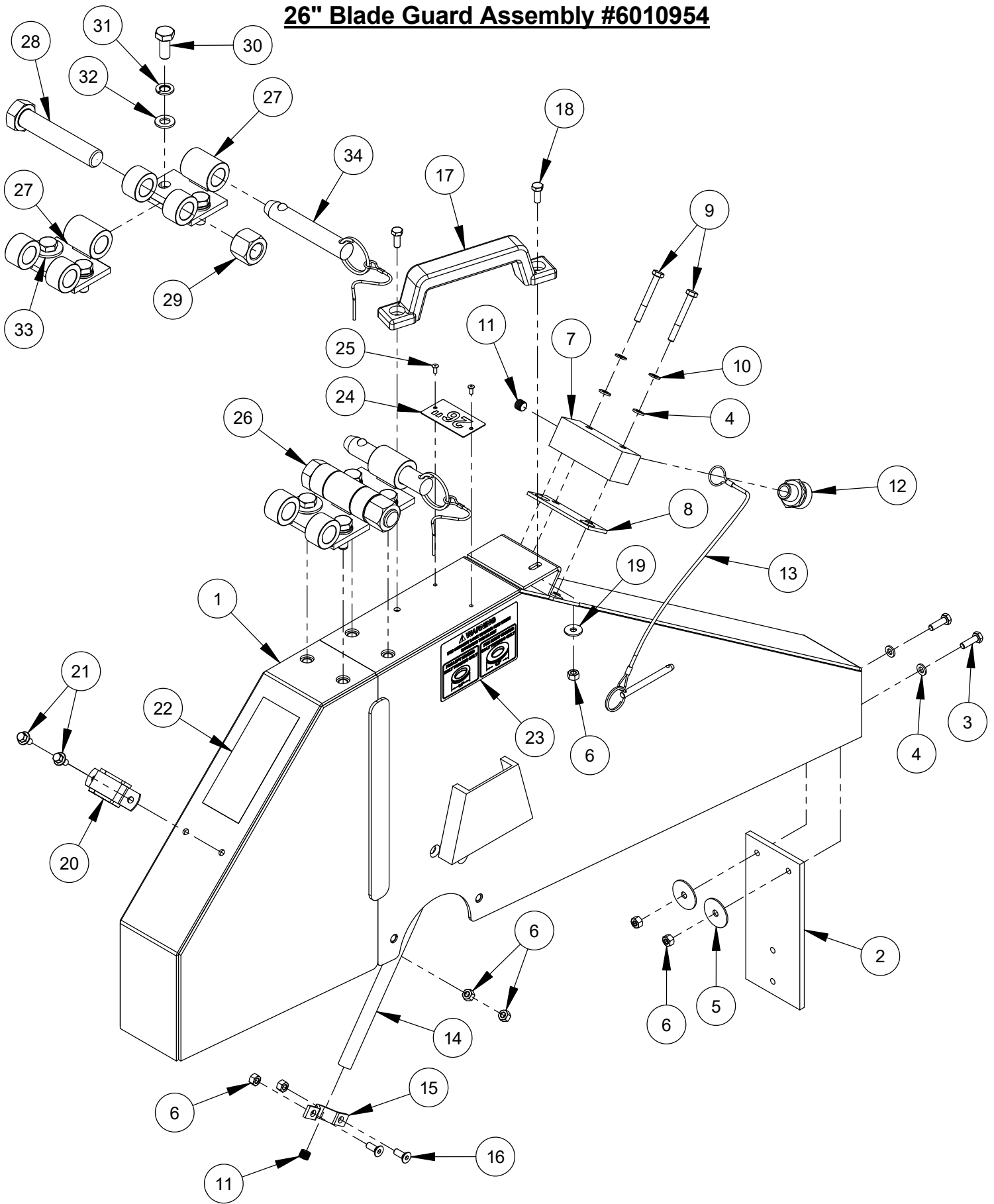


## 20" Blade Guard Assembly #6010952

ITEM	PART NO.	QTY.	DESCRIPTION
1	6010603	1	20" Blade Guard Front & Rear Only
2	6010081	1	Splash Flap
3	2900310	2	Cap Screw, Hex Hd., M6-1.0 x 20mm
4	2901494	4	Flat Washer, M6
5	2900083	2	Fender Washer, 1/4" x 1-1/4"
6	2900302	10	Lock Nut, M6-1.0 Nylon Insert
7	6010261	1	Water Manifold
8	2500830	1	Water Manifold Gasket
9	2901355	2	Cap Screw, Hex Hd., M6-1.0 x 50mm
10	3200001	3	Plug, 1/8" NPT
11	3200002	1	Fitting, 3/8" M. Pipe to 3/4" M. Garden
12	2900278	1	Lanyard with Lock Pin
13	6010085	2	Water Tube for 20" Guard
14	6048155	2	Water Tube Clamp
15	2900308	4	Cap Screw, Flat Hd., M6-1.0 x 16mm
16	2506125	1	Grab Handle
17	2900341	2	Cap Screw, Hex Hd., M6-1.0 x 16mm
18	1800001	1	Warning Label
19	1802090	2	Label, Wedge Locking Washer
20	1801369D	1	Blade Guard Size Tag
21	2900287	2	Rivet, 1/8" Dia.
22	6048027	1	Hinge Assembly

ITEM	PART NO.	QTY.	DESCRIPTION
23	2500270	1	Blade Guard Hinge
24	2900310	6	Cap Screw, Hex Hd., M6-1.0 x 20mm
25	2901494	6	Flat Washer, M6
26	2900302	6	Lock Nut, M6-1.0 Nylon Insert

# 26" Blade Guard Assembly #6010954



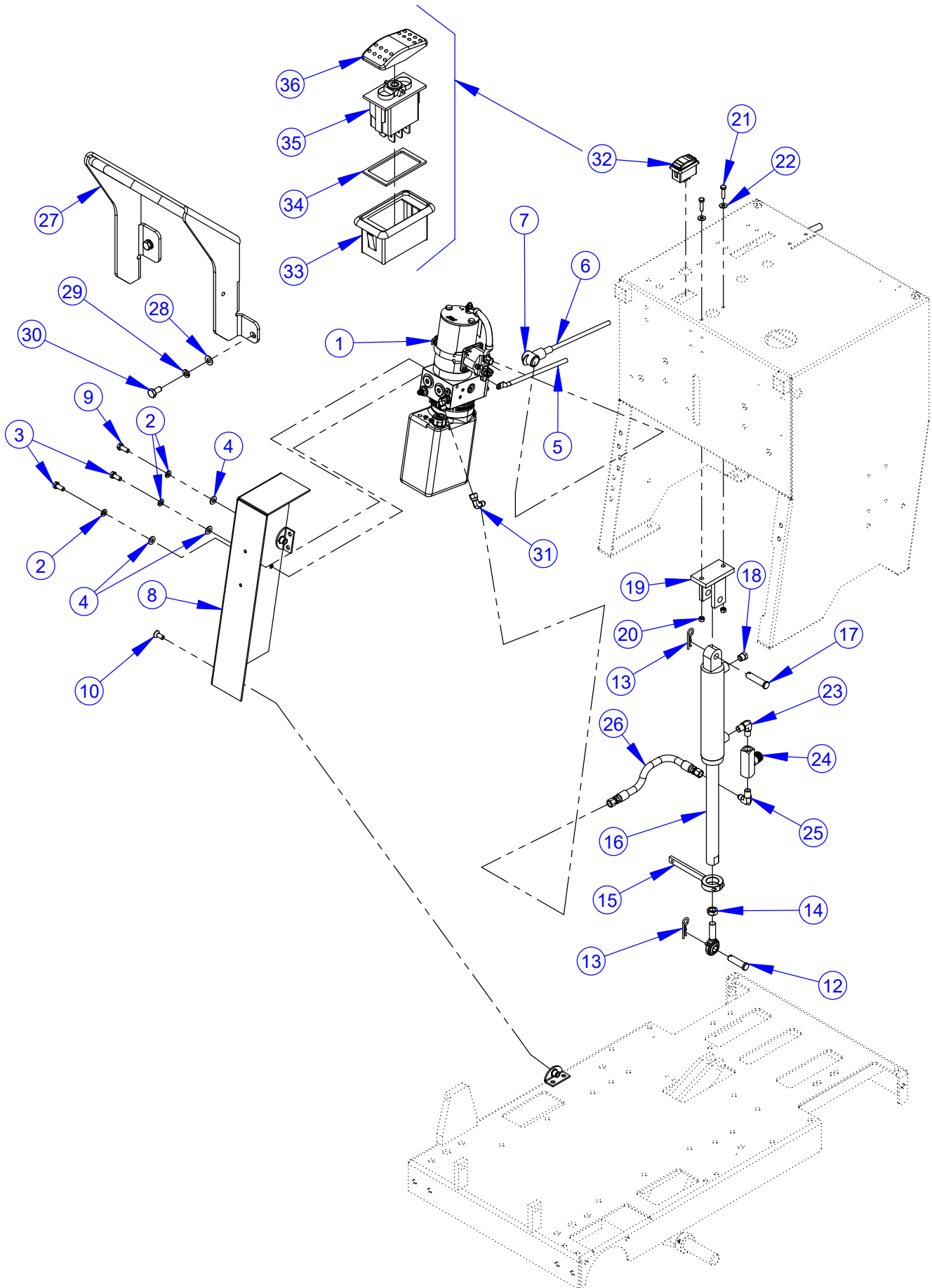


## **26" Blade Guard Assembly #6010954**

ITEM	PART NO.	QTY.	DESCRIPTION
1	6010955	1	26" Blade Guard Front & Rear Only
2	6010081	1	Splash Flap
3	2900310	2	Cap Screw, Hex Hd., M6-1.0 x 20mm
4	2901494	4	Flat Washer, M6
5	2900083	2	Fender Washer, 1/4" x 1-1/4"
6	2900302	10	Lock Nut, M6-1.0 Nylon Insert
7	6010261	1	Water Manifold
8	2500830	1	Water Manifold Gasket
9	2901355	2	Cap Screw, Hex Hd., M6-1.0 x 50mm
10	2900765	2	Lock Washer, M6 Split
11	3200001	3	Plug, 1/8" NPT
12	3200002	1	Fitting, 3/8" M. Pipe to 3/4" M. Garden
13	2900279	1	Lanyard with Lock Pin
14	6010086	2	Water Tube for 26" Guard
15	6048155	2	Water Tube Clamp
16	2900308	4	Cap Screw, Flat Hd., M6-1.0 x 16mm
17	2506125	1	Grab Handle
18	2900341	2	Cap Screw, Hex Hd., M6-1.0 x 16mm
19	2901359	1	Fender Washer, M6
20	3202935	1	Cushion Clamp
21	2901370	2	Cap Screw, Hex Flange, M6-1.0 x 12mm
22	1800001	1	Warning Label
23	1802090	2	Label, Wedge Locking Washer
24	1801369F	1	Blade Guard Size Tag
25	2900287	2	Rivet, 1/8" Dia.
26	6010873	1	Universal Hinge Assembly

ITEM	PART NO.	QTY	DESCRIPTION
27	6010871	2	Hinge Weldment, Universal
28	2900479	1	Cap Screw, Hex Hd., 3/4-10 x 4"
29	2900467	1	Lock Nut, 3/4-10 Nylon
30	2900333	4	Cap Screw, Hex Hd., M10-1.5 x 25mm
31	2900321	4	Lock Washer, M10 Split
32	2901356	4	Flat Washer, M10
33	2901360	1	Fender Washer, M10
34	2503824	1	Detent Pin with Lanyard

# Hydraulic Power Raise/Lower Assembly #6047997



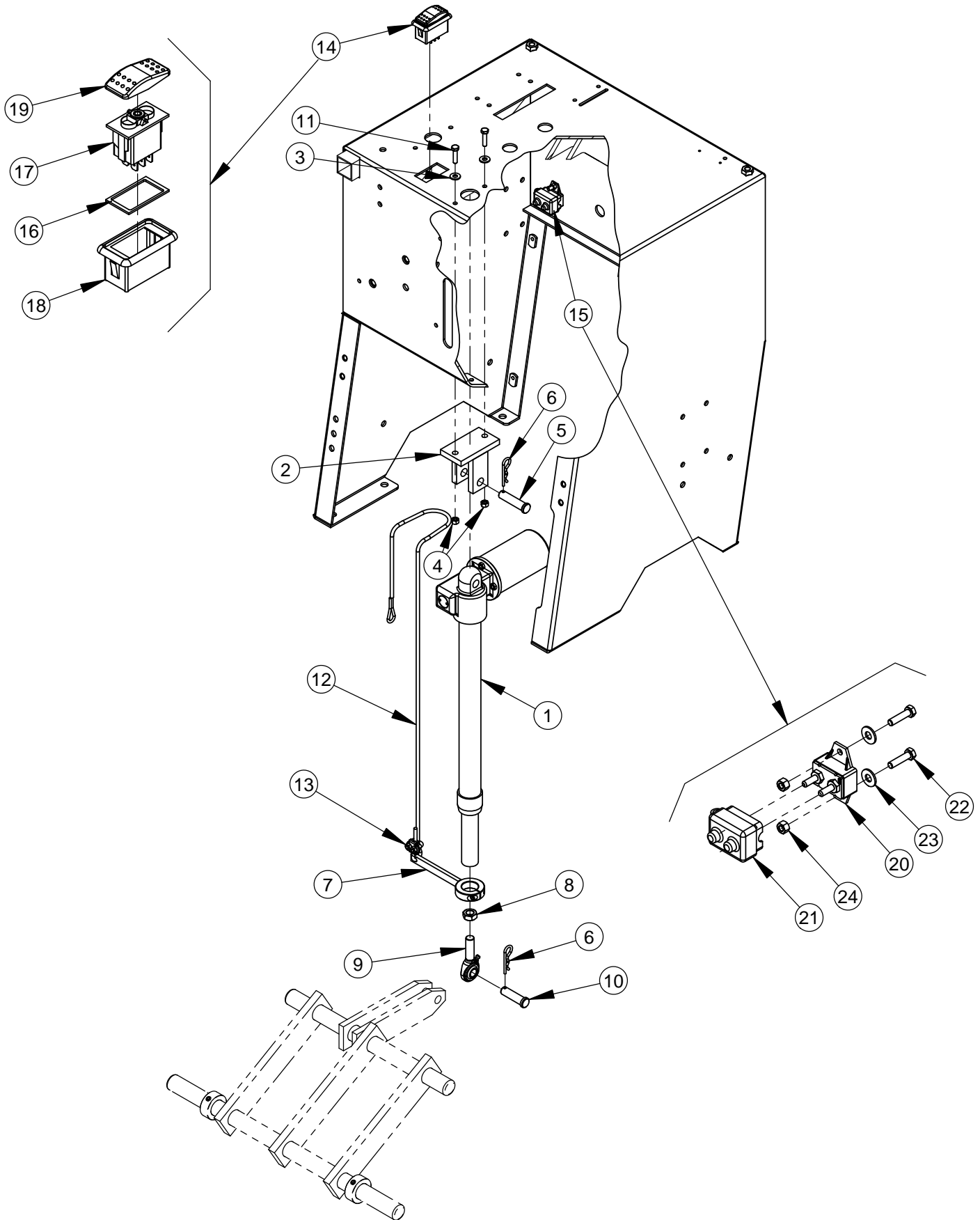
**Hydraulic Power Raise/Lower Assembly**  
**#6047997**

ITEM	PART NO.	QTY.	DESCRIPTION
1	2600724	1	Electro/Hyd Pump Unit
	2802469	1	Solenoid
2	2900031	3	Lock Washer, 5/16" Split
3	2900019	2	Cap Screw, Hex Hd., 5/16-18 x 3/4"
4	2900022	3	Flat Washer, 5/16" SAE
5	6048092	1	Battery Cable, 31" Negative (Black)
6	6047990	1	Battery Cable Assy., Red
7	2800197	1	Battery Boot, Small (Red)
8	6011766	1	Pump Guard
9	2900329	1	Cap Screw, Hex Hd., M8-1.25 x 20mm
10	2900611	1	Cap Screw, Flat Hd., M8-1.25 x 20mm
11	2500931	1	Rod End, 1/2-20 Male w/ Zerc
12	2900354	1	Clevis Pin, 1/2" x 1-3/4"
13	2900276	2	Hairpin Cotter
14	2900109	1	Jam Nut, 1/2-20
15	6047966	1	Cable Connecting Arm
16	2501588	1	Hydraulic Cylinder
17	2900393	1	Clevis Pin, 1/2" x 2"
18	3200067	1	Breather Vent, 1/4" NPT
19	6047965	1	Actuator Clevis
20	2900302	2	Lock Nut, M6-1.0 Nylon Insert
21	2900311	2	Cap Screw, Hex Hd., M6-1.0 x 25mm
22	2900009	2	Flat Washer, 1/4" SAE
23	3200312	1	Elbow, 1/4" Male Pipe
24	3200056	1	Flow Control Valve
25	3200057	1	Elbow, 1/4" M. Pipe to 1/4" M. JIC
26	6010248	1	Hose Assembly, 20" Long
27	6047987	1	Frame Lift Weldment
28	2900014	4	Flat Washer, 3/8" SAE
29	2900006	4	Lock Washer, 3/8" Split
30	2900314	4	Cap Screw, Hex Hd., M10-1.5 x 20mm
31	3201241	1	Elbow, 1/4" M. JIC to 1/4" F. JIC
32	6019158	1	Rocker Switch Assembly

**Rocker Switch Assembly**  
**#6019158**

ITEM	PART NO.	QTY.	DESCRIPTION
33	2800260	1	Rocker Mount Panel
34	2800261	1	Rocker Panel Gasket
35	2800258	1	Rocker Switch Body
36	2800259	1	Rocker Switch Actuator

# Electric Power Raise/Lower Assembly #6047967



**Electric Power Raise/Lower Assembly**  
**#6047967**

ITEM	PART NO.	QTY.	DESCRIPTION
1	2500930	1	Actuator
2	6047965	1	Actuator Clevis
3	2900009	2	Flat Washer, 1/4" SAE
4	2900302	2	Lock Nut, M6-1.0 Nylon Insert
5	2900393	1	Clevis Pin, 1/2 x 1-3/4", Zinc Plated
6	2900276	2	Hairpin Cotter, 1/8" x 1/2" to 3/4"
7	6047966	1	Cable Connecting Arm
8	2900109	1	Jam Nut, 1/2-20
9	2500931	1	Rod End, 1/2-20 Male
10	2900354	1	Clevis Pin, 1/2" x 1-3/4"
11	2900311	2	Cap Screw, Hex Hd., M6-1.0 x 25mm
12	6047968	1	Depth Indicator Cable
13	2500214	1	Cable Clamp
14	6019158	1	Rocker Switch Assembly
15	6047979	1	Circuit Breaker Assembly

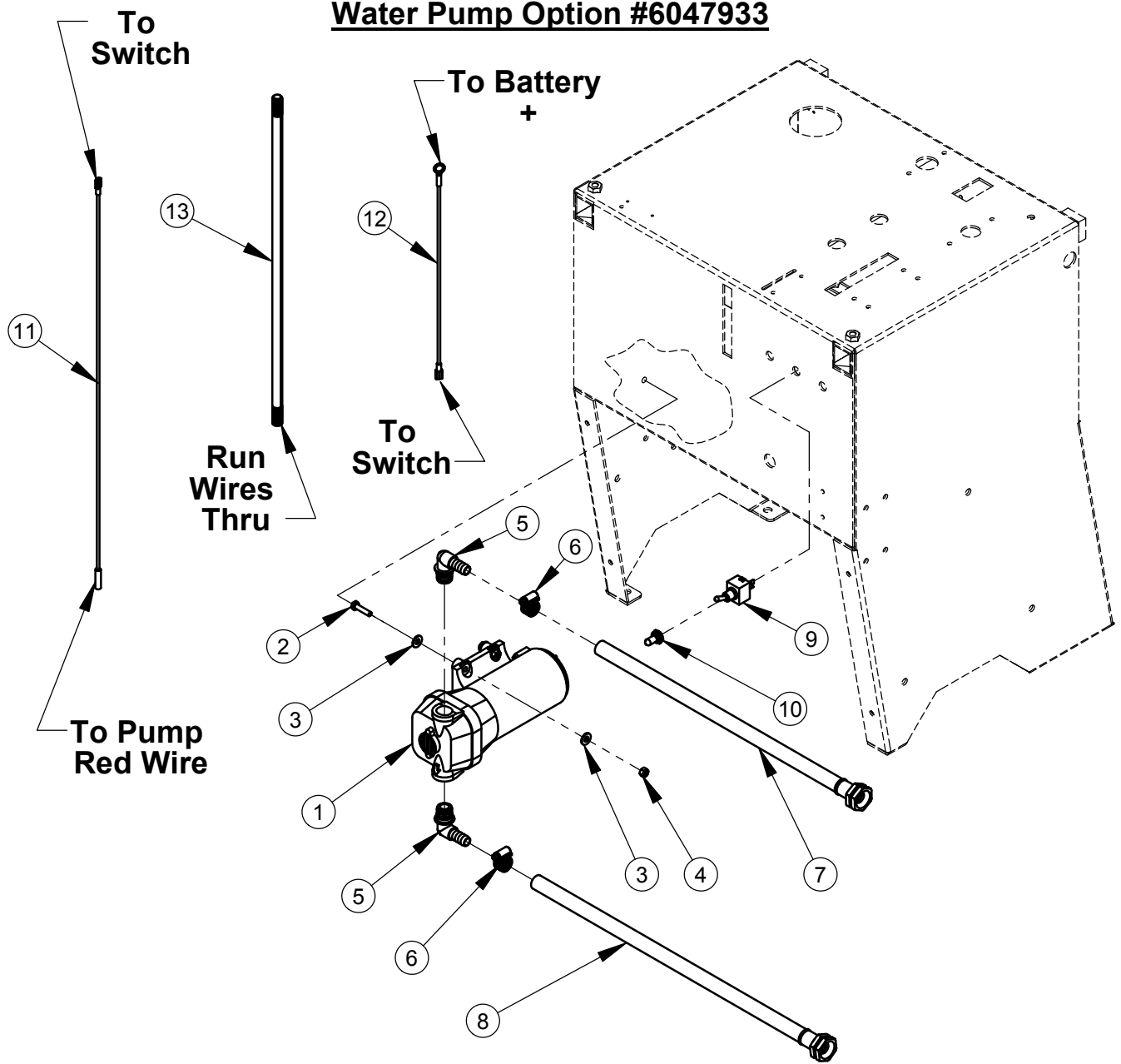
**Rocker Switch Assembly**  
**#6019158**

ITEM	PART NO.	QTY.	DESCRIPTION
16	2800261	1	Rocker Panel Gasket
17	2800258	1	Rocker Switch Body
18	2800260	1	Rocker Mount Panel
19	2800259	1	Rocker Switch Actuator

**Circuit Breaker Assembly**  
**#6047979**

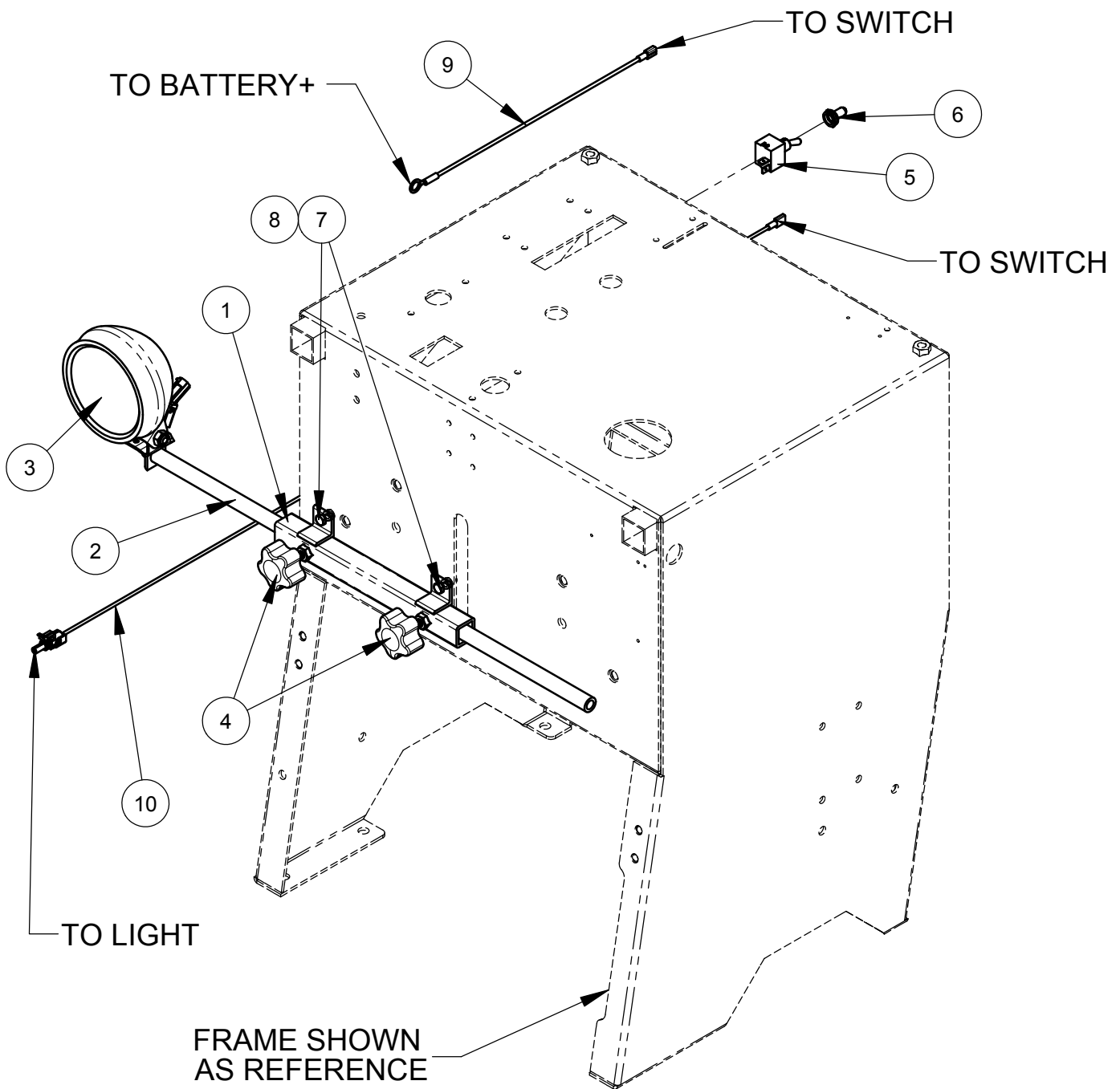
ITEM	PART NO.	QTY.	DESCRIPTION
20	2800363	1	Circuit Breaker 20 Amp
21	2800364	1	Circuit Breaker Boot
22	2900309	2	Cap Screw, Hex Hd., M5-0.8 x 20mm
23	2900016	2	Flat Washer, #10 USS
24	2900301	2	Lock Nut, M5-0.8 Nylon Insert

## Water Pump Option #6047933



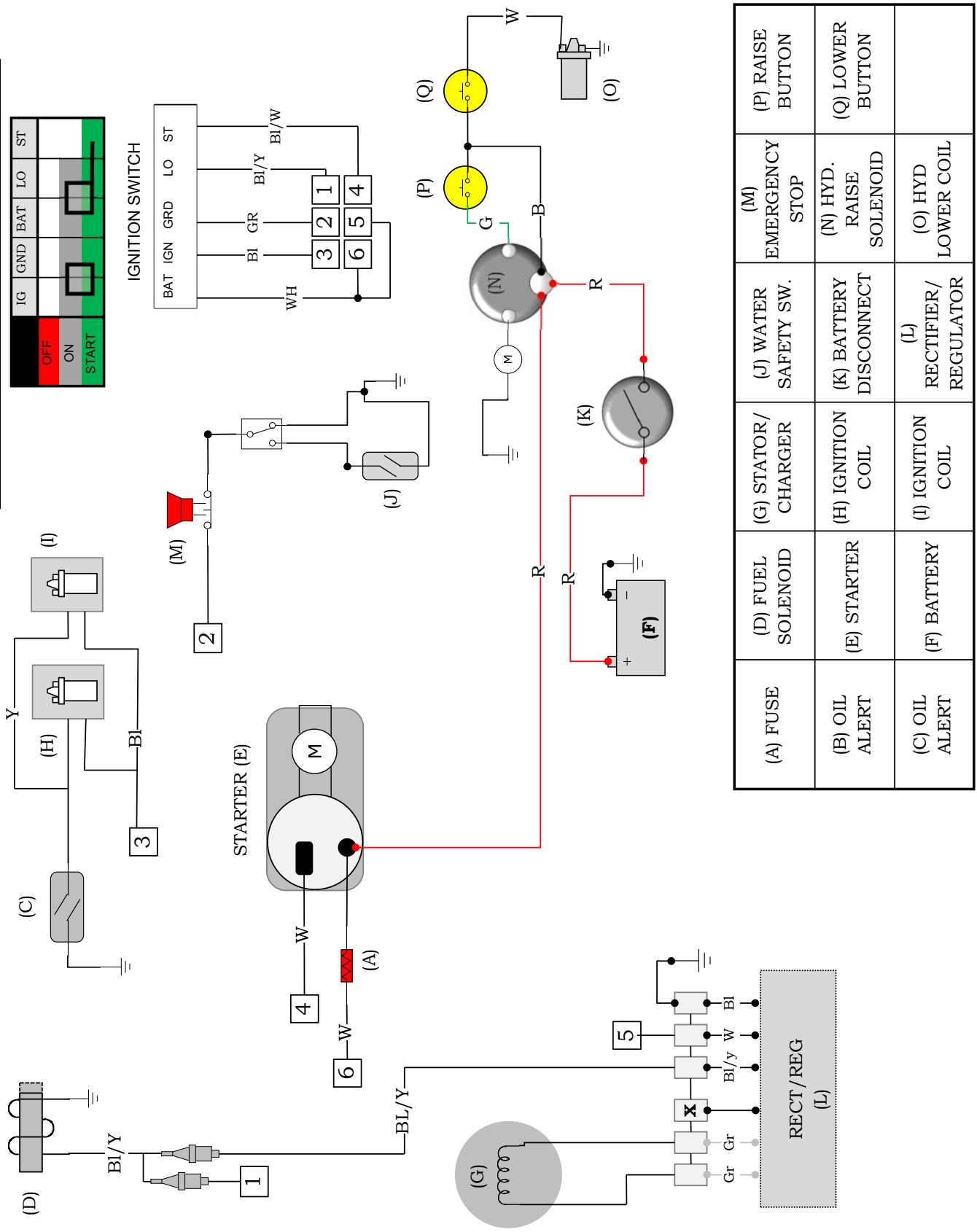
ITEM	PART NO.	QTY.	DESCRIPTION
1	2600200	1	Water Pump, 12V Diaphragm
2	2900311	4	Cap Screw, Hex Hd., M6-1.0 x 25mm
3	2900009	8	Flat Washer, 1/4" SAE
4	2900302	4	Lock Nut, M6-1.0 Nylon Insert
5	2701694	2	Port Fitting, 1/2" Barb x 90 Degree
6	3200016	2	Hose Clamp #8
7	6048167	1	Hose Assy., 3 Foot
8	6010302	1	Hose Assy., 4 Foot
9	2800062	1	Toggle Switch On/Off
10	2800063	1	Toggle Switch Boot
11	6040371	1	Wire Assy., 14 GA., Green 24"
12	6040372	1	Wire Assy., 14 GA., White 12"
13	4600087	1	Wire Cover, 3/8 x 20"

## CC2500 SPOT LIGHT KIT #6047934



ITEM	PART NO.	QTY.	DESCRIPTION
1	6010107	1	Light Bar Mount Bracket
2	6010106	1	Light Bar
3	6011719	1	Light, 12V Spot Assy.
4	2400157	2	Hand Lock Knob, 5/16-18 x 1"
5	2800062	1	Toggle Switch On/Off
6	2800063	1	Toggle Switch Boot
7	2900310	2	Cap Screw, Hex Hd., M6-1.0 x 20mm
8	2900302	2	Lock Nut, M6-1.0 Nylon Insert
9	6010859	1	Wire Assy., 16 Ga., White, 13"
10	6010852	1	Wire Assy., 18 Gage, Black, 41-1/4"

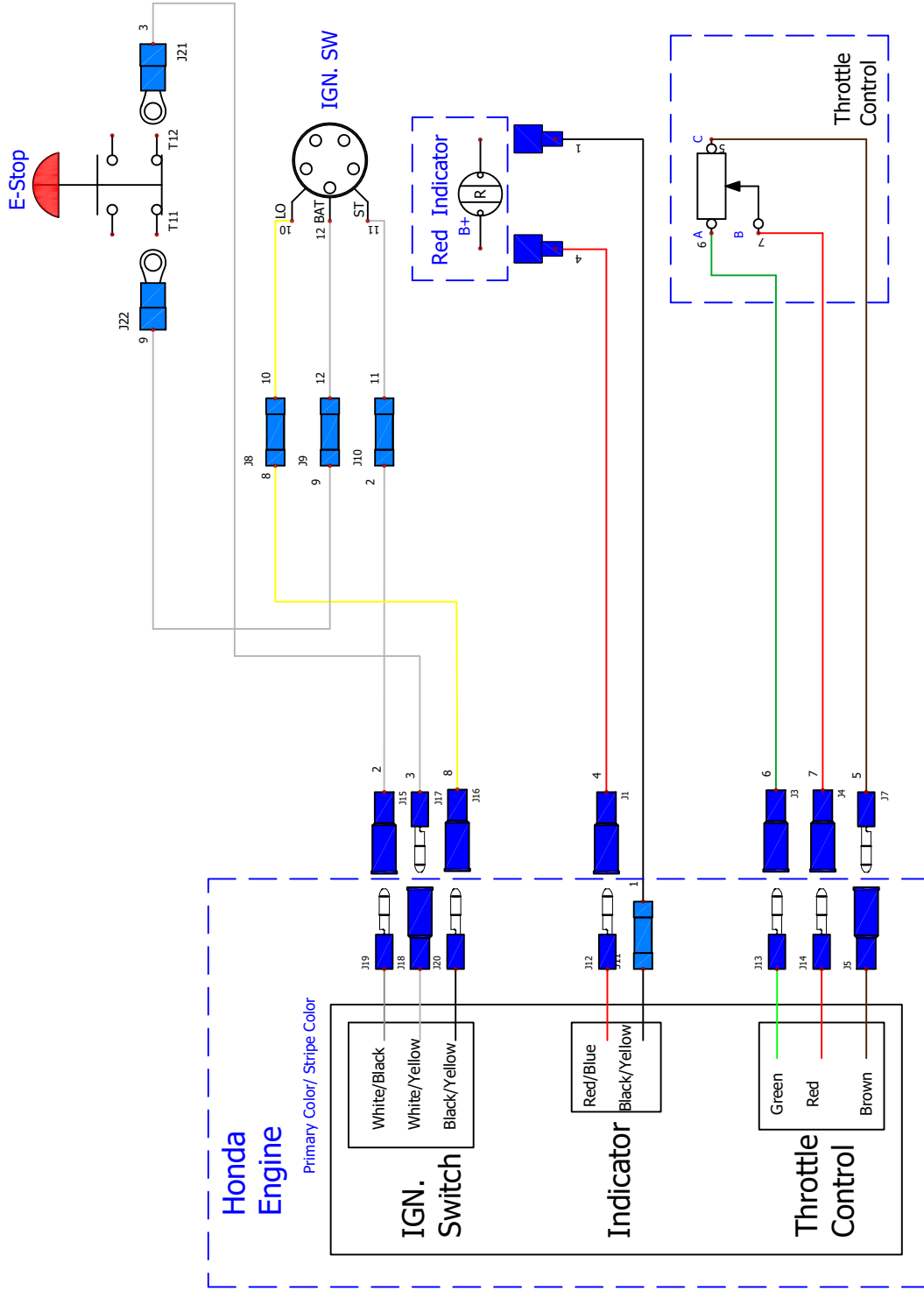
# V-TWIN HONDA (Carb)



(A) FUSE	(D) FUEL SOLENOID	(G) STATOR/CHARGER	(J) WATER SAFETY SW.	(M) EMERGENCY STOP	(P) RAISE BUTTON
(B) OIL ALERT	(E) STARTER	(H) IGNITION COIL	(K) BATTERY DISCONNECT	(N) HYD. RAISE SOLENOID	(Q) LOWER BUTTON
(C) OIL ALERT	(F) BATTERY	(I) IGNITION COIL	(L) RECTIFIER/REGULATOR	(O) HYD LOWER COIL	

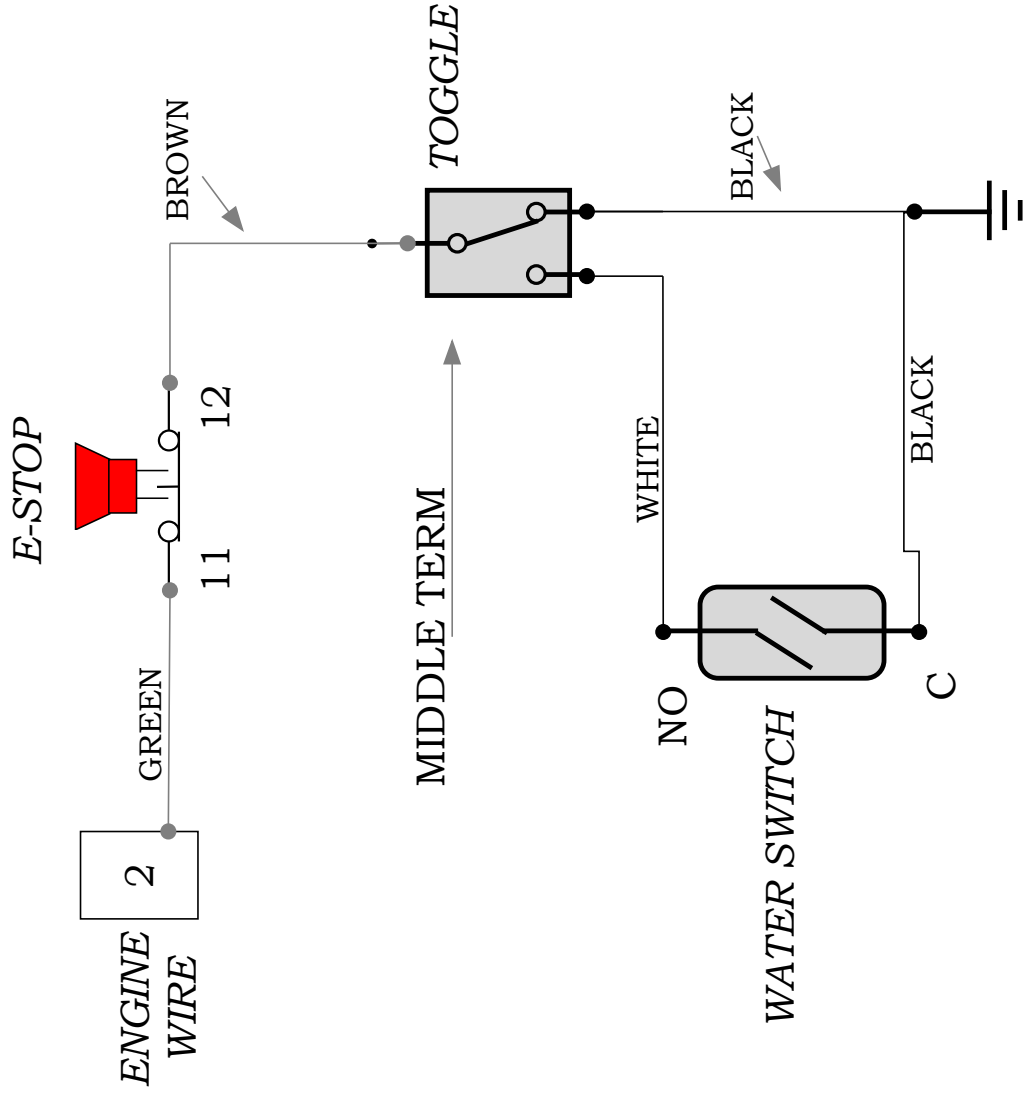


# V-TWIN HONDA (EFI)



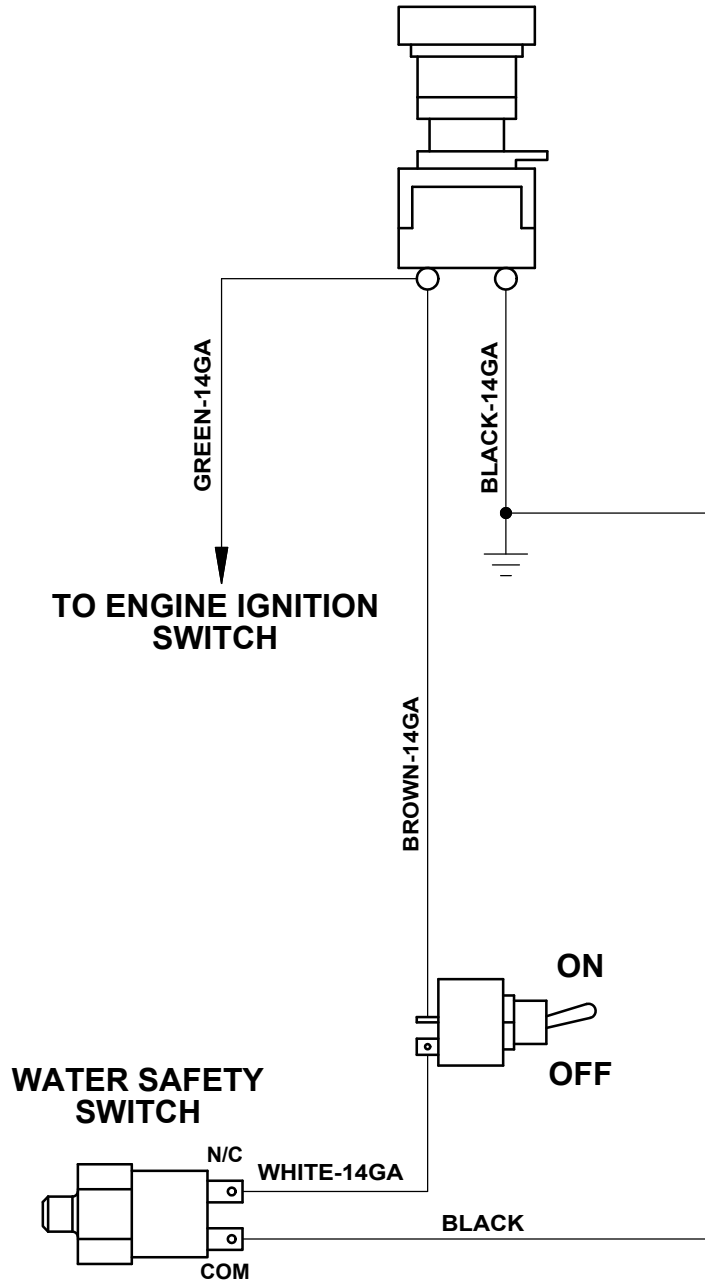
# WATER SAFETY SWITCH OPTION #6041358

FOR HONDA MODELS #GX630/GX660/GX690  
WHICH HAVE A CLOSED LOOP GROUNDING SYSTEM

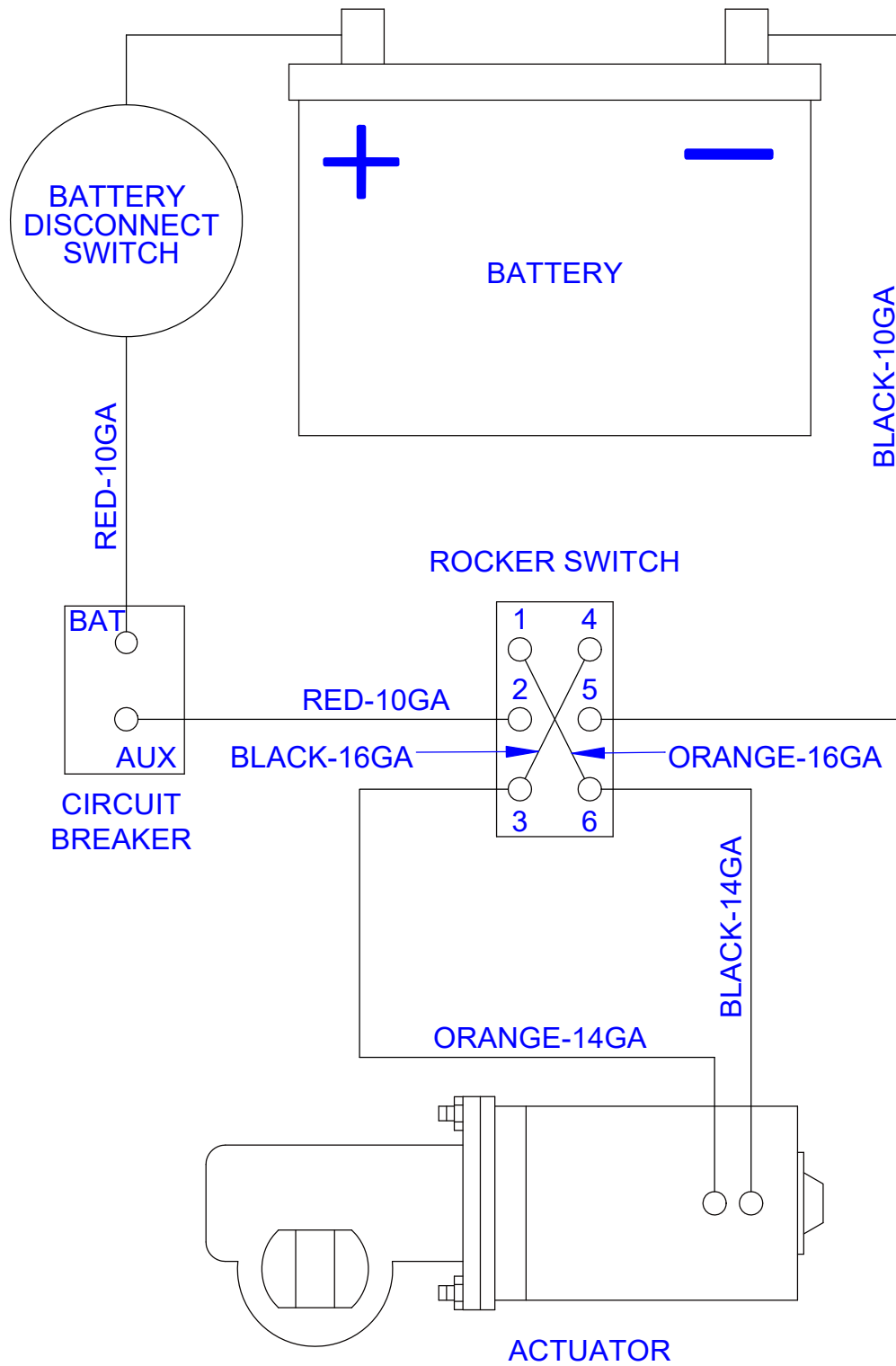


**WATER SAFETY SWITCH OPTION**  
**(FOR ALL ENGINES/MOTORS EXCEPT HONDA V-TWIN**  
**MODELS #GX630/GX660/GX690)**

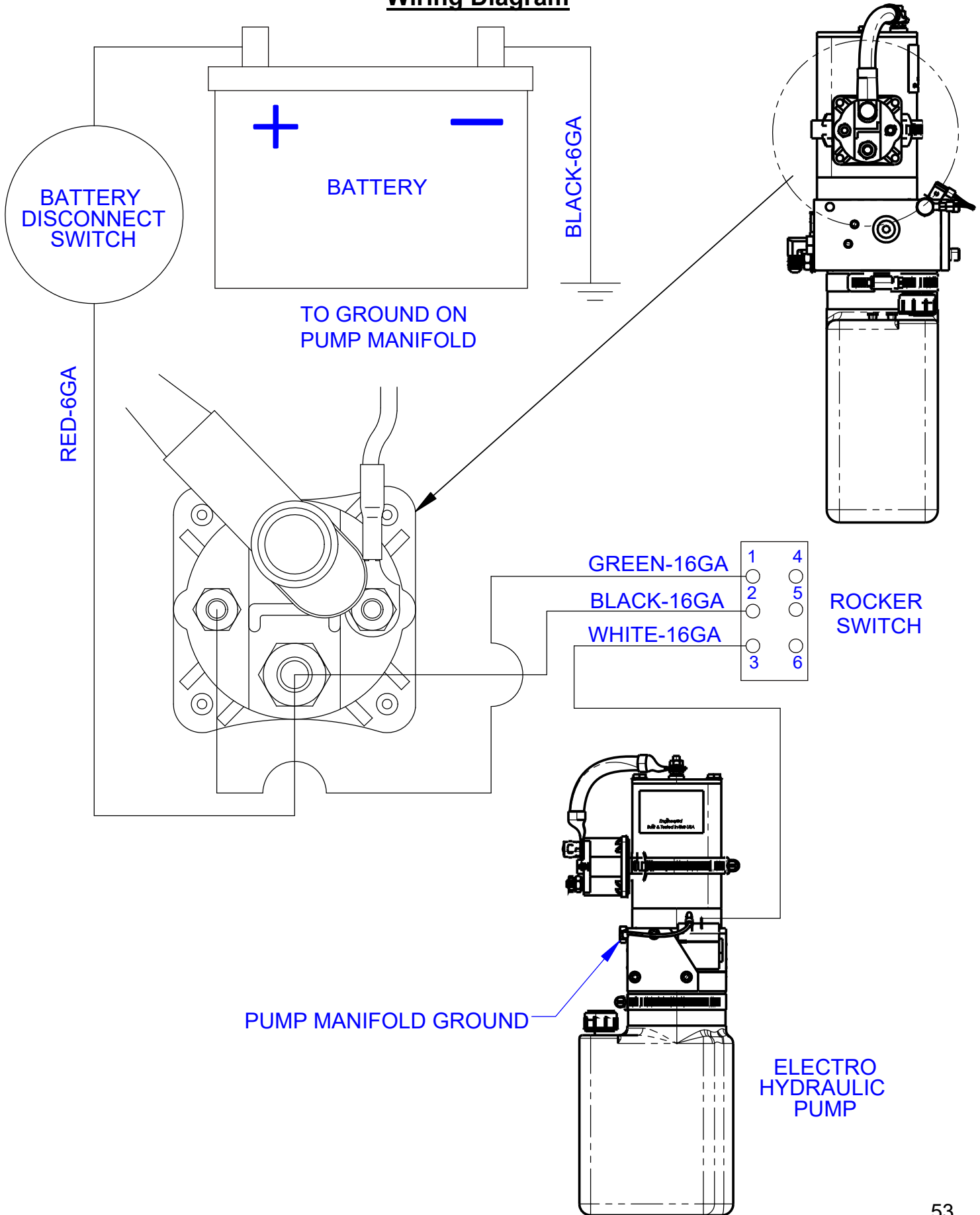
**EMERGENCY STOP BUTTON**



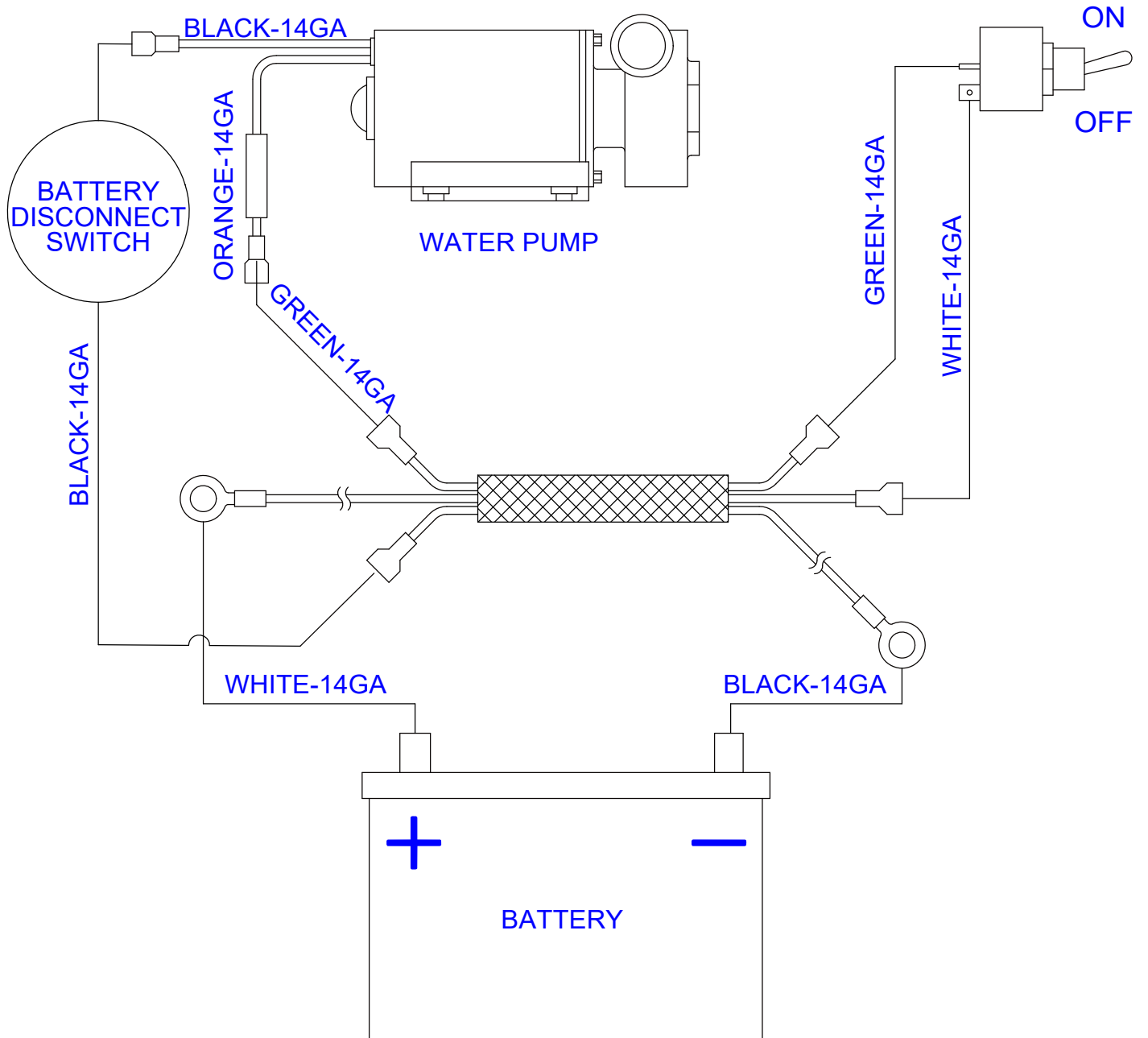
# Optional Electric Raise/Lower Wiring Diagram



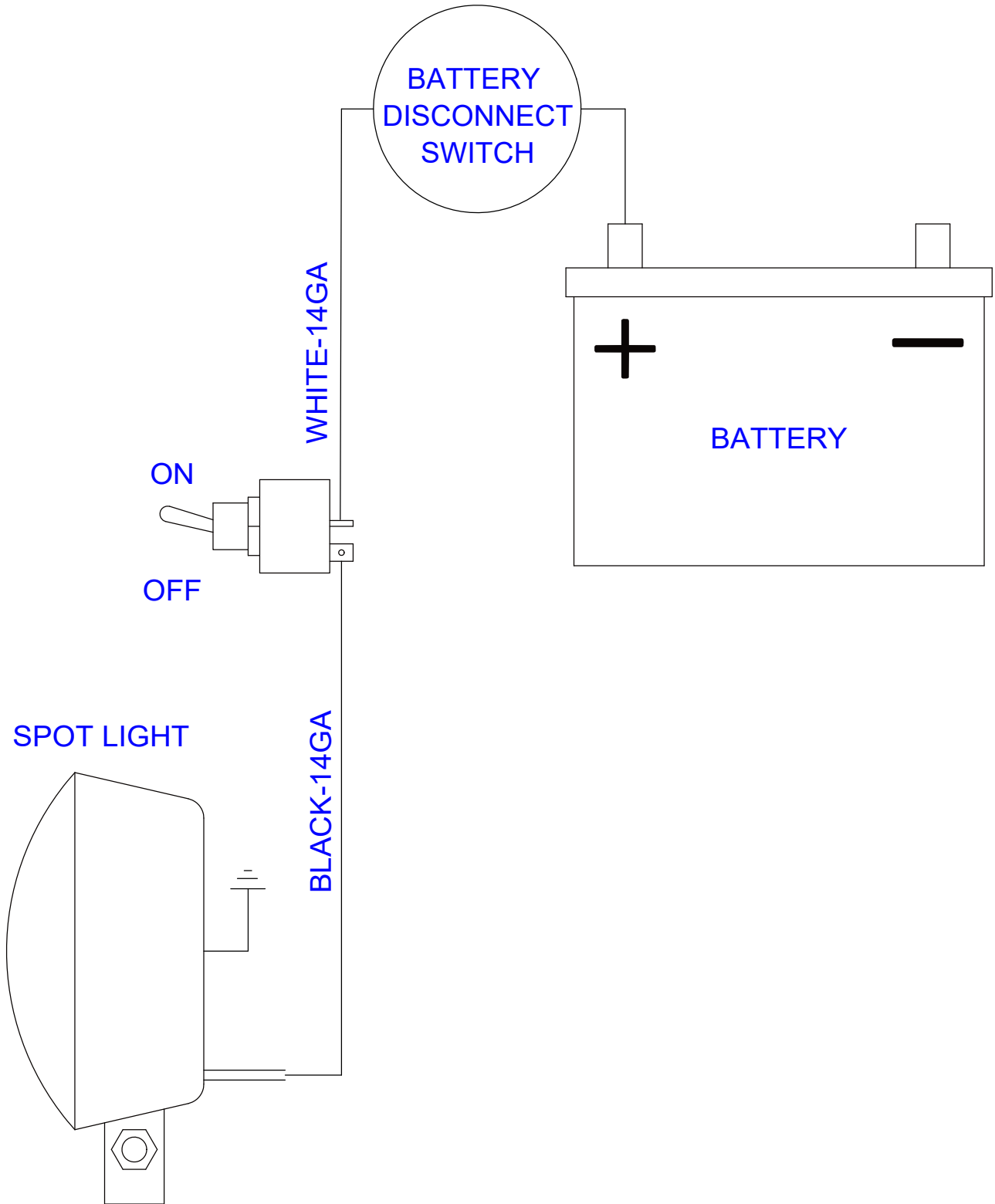
## Optional Hydraulic Raise/Lower Wiring Diagram



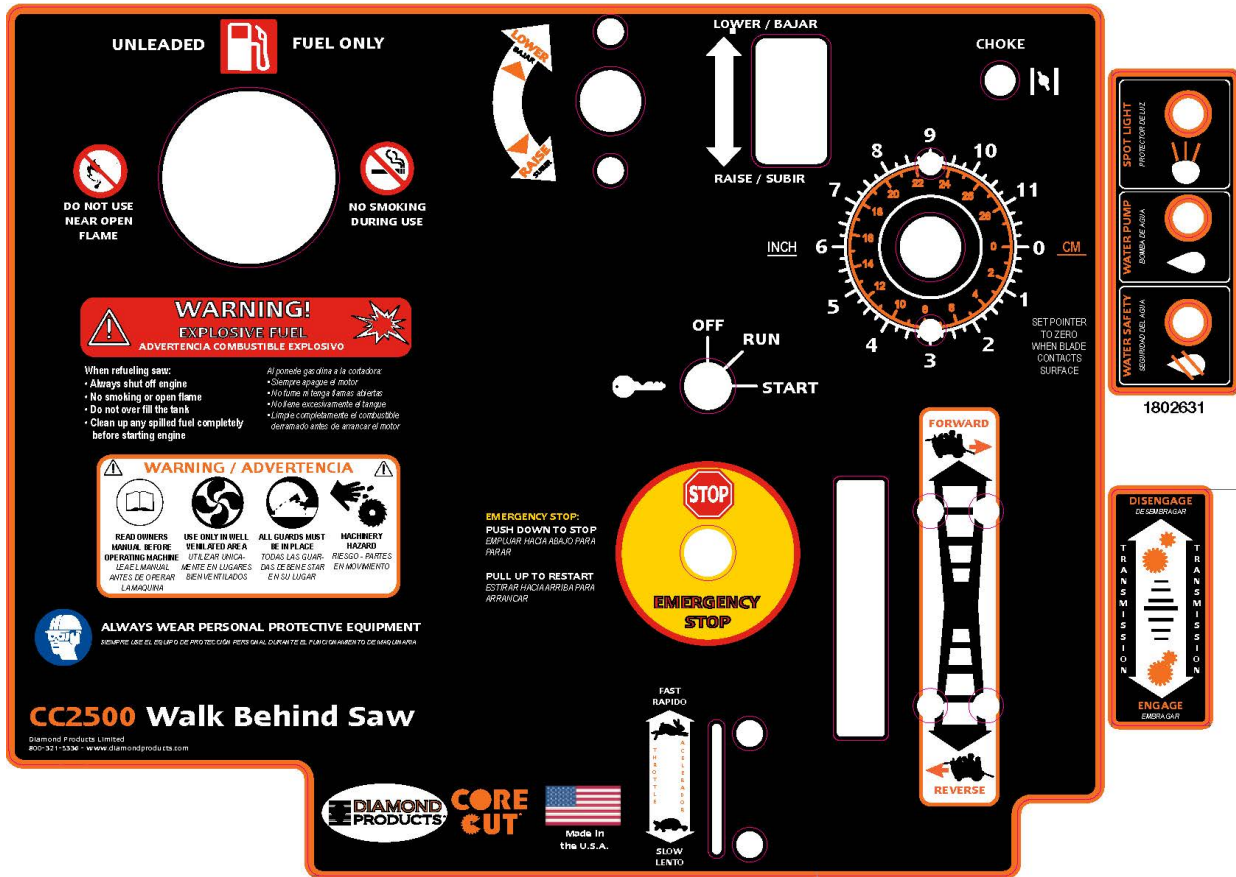
# Optional Water Pump Wiring Diagram



**Optional Spotlight  
Wiring Diagram**



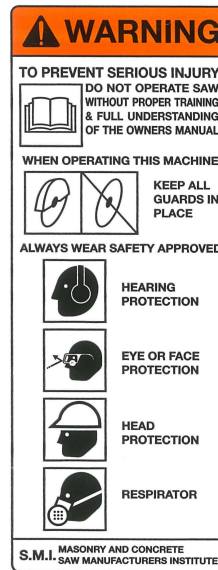
# Decal Group



**SAW LABEL SHEET**  
**CARBURETED #1800417**  
**EFI IGX800 #1802928**



**CORE CUT DECAL (2X)**  
**CARBURETED #1800416**  
**EFI IGX800 #1803144**



**WARNING DECAL**  
**#1800001**









## EQUIPMENT AND PARTS WARRANTY

Diamond Products warrants all equipment manufactured by it against defects in workmanship or materials for a period of one (1) year from the date of shipment to Customer.

The responsibility of Diamond Products under this Warranty is limited to replacement or repair of defective parts at Diamond Products' Elyria, Ohio factory, or at a point designated by it, of such parts as shall appear to us upon inspection at such parts, to have been defective in material or workmanship, with expense for transportation and labor borne by Customer.

In no event shall Diamond Products be liable for consequential or incidental damages arising out of the failure of any Product to operate properly.

Integral units such as engines, electric motors, batteries, transmissions, etc., are excluded from this Warranty and are subject to the prime manufacturer's warranty.

**THIS WARRANTY IS IN LIEU OF ALL OTHER WARRANTIES, EXPRESSED OR IMPLIED, AND ALL SUCH OTHER WARRANTIES ARE HEREBY DISCLAIMED.**



333 Prospect Street, Elyria, Ohio 44035  
(440) 323-4616 • (800) 321-5336 • Fax (440) 323-8689  
[www.diamondproducts.com](http://www.diamondproducts.com)