

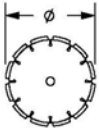

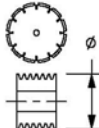
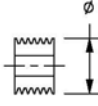
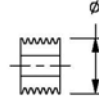
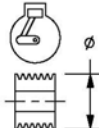

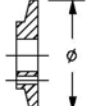
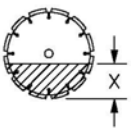


CONCRETE SAW PARTS LIST

**MODEL
CC3500J**

June 2020

Part # 1801378

CC3500J RPM CHART								
BLADE SIZE	BLADE RPM	BLADESHAFT SHEAVE	JACKSHAFT SHEAVE INPUT	JACKSHAFT SHEAVE OUTPUT	ENGINE SHEAVE	ENGINE RPM	FLANGE SIZE	MAX CUT DEPTH
14"	3,000	3.65"	5.00"	6.00"	3.65"	3,600	5"	4-3/8"
20"	2,500	3.65"	5.60"	8.00"	3.65"	3,600	5"	7-3/8"
26"	1,900	4.12"	4.75"	8.00"	3.65"	3,600	5"	10-3/8"
30"	1,650	4.12"	4.12"	8.00"	3.65"	3,600	5"	12-3/8"
								

! WARNING !

**The engine exhaust from this product
Contains chemicals known to the
State of California to cause cancer,
Birth defects or other reproductive harm.**



Proposition 65
State of California
Warning !

Engine exhaust and some its constituents are known to the State of California to cause cancer, birth defects, and/or other reproductive harm.

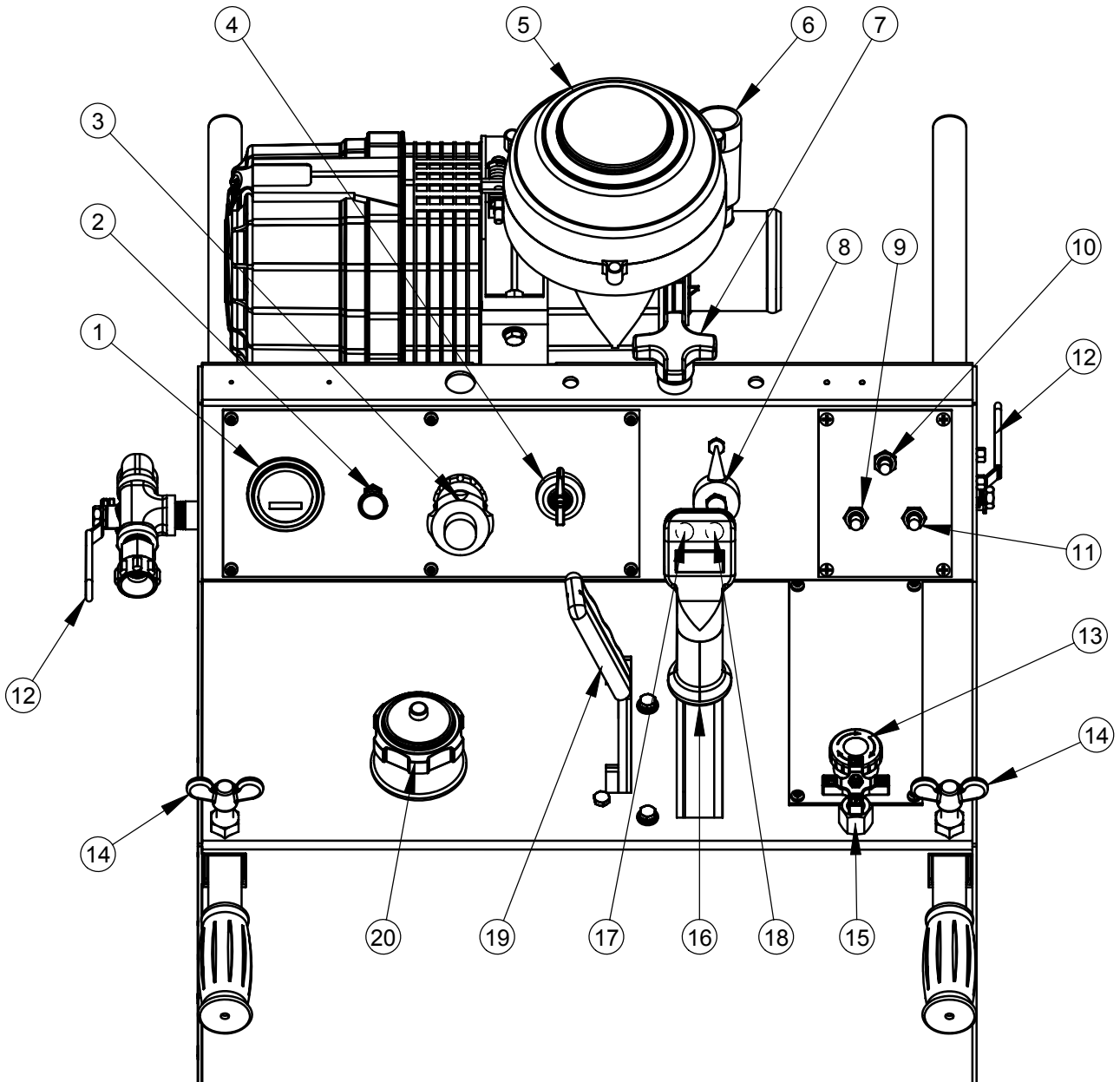
Notification of Spark Arrester Requirement for
State of California

It is a violation of Section 4442 or 4443 to use or operate the engine on any forest-covered, brush-covered, or grass-covered land unless the engine is equipped with a spark arrester, as defined in Section 4442, maintained in effective working order or the engine is constructed, equipped, and maintained for the prevention of fire pursuant to Section 4443.

Table of Contents

Controls Legend.....	4	Throttle Assembly (Briggs-Vanguard).....	35
Quick Reference Service Filters / Belts.....	5	Belt Drive Assembly.....	36-39
Frame Upright Assembly.....	6	Frame Lift Assembly.....	40
Instrument Panel Assembly.....	8	Belt Guard Assembly.....	41
Control Grip Assembly.....	9	14" Blade Guard Assembly.....	42
Control Lever Assembly (Eaton).....	10	20" Blade Guard Assembly.....	44
Battery Assembly.....	11	26" Blade Guard Assembly.....	46
Hydraulic Pump Assembly.....	12	30" Blade Guard Assembly.....	48
Depth Indicator Assembly.....	13	Blade Shaft Weight Assembly.....	50
Depth Stop Assembly.....	14	Front Pointer Assembly.....	51
Water Supply Assembly.....	15	Optional Water Pump Assembly.....	52
Frame Base Assembly.....	16	Optional Water Safety Switch Assembly.....	53
Hydraulic Cylinder Assembly.....	17	Optional Spot Light Assembly.....	55
Rear Drive Assembly (Eaton).....	18	Optional Shaft Tachometer Assembly.....	56
Eaton Transmission Assembly.....	20	Optional Speed Metering Valve Assembly....	57
Linkage Assembly.....	21	Optional Parking Brake Assembly.....	58
Front Axle Assembly.....	22	Optional Blade Stacking Assembly.....	60
Rear Axle Assembly (Eaton / Gear).....	23	Optional Blade Spacing Assembly (Up to 2")	62
Blade Shaft Assembly.....	25	Optional Blade Spacing Assembly (Up to 4")	64
Fuel Tank Assembly.....	26	Wiring Diagram (Briggs-Vanguard).....	66
Engine Base Assembly.....	28	Wiring Diagram (Kohler).....	68
Kohler Engine Assembly.....	30	Decal Group.....	70
Briggs-Vanguard Engine Assembly.....	32	Warranty.....	72
Throttle Assembly (Kohler).....	34		

Controls Legend			
1	Hour Meter	11	Spotlight Switch (Optional)
2	Choke Control	12	Water Valve
3	Vernier Throttle Cable	13	Emergency Stop Button
4	Ignition Switch	14	Handle Lock Knobs
5	Pre-Cleaner	15	Lowering Speed Meter Valve (Optional)
6	Air Cleaner Restriction Indicator	16	Speed Control Lever
7	Depth Stop Knob	17	Raise Pushbutton
8	Cutting Depth Indicator	18	Lower Pushbutton
9	Water Pump Switch (Optional)	19	Transmission Engagememt Lever
10	Water Safety Switch (Optional)	20	Fuel Tank Cap



Quick Reference Service Filters / Belts

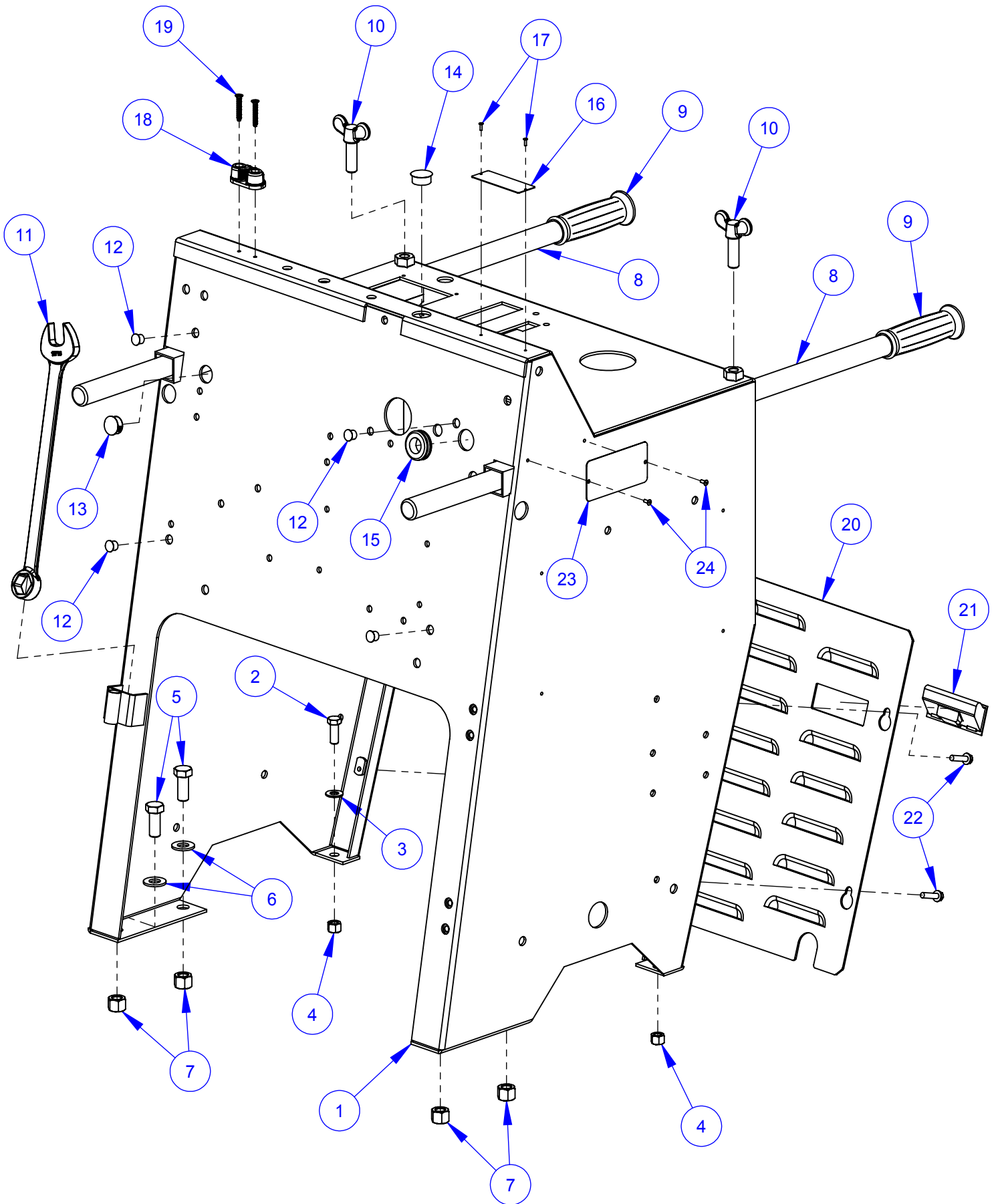
Briggs Vanguard 35HP

DP Part No.	Description	Manufacturer's Part No.
2705507	Engine Oil Filter	(Briggs #842921)
2702626	Spark Plug (2)	(Briggs #491055)
2500201	In-Line Fuel Tank Filter	(Fram #G1 or Wix #33001)
2702627	Outer Primary Air Filter	(Briggs #841497)
2702628	Inner Safety Air Filter	(Briggs #821136)
2500792	Blade Shaft & Jack Shaft Belt (12)	(Gates #3VX400)
2501872	Eaton Transmission Belt	(#4L600W)

Kohler 37HP

DP Part No.	Description	Manufacturer's Part No.
2704136	Engine Oil Filter	(Kohler #5205002-S)
2702623	Spark Plug (2)	(Champion #XC10YC)
2500201	In-Line Fuel Tank Filter	(Fram #G1 or Wix #33001)
2704135	Outer Primary Air Filter	(Kohler #250801-S)
2704134	Inner Safety Air Filter	(Kohler #250804-S)
2500792	Blade Shaft & Jack Shaft Belt (12)	(Gates #3VX400)
2501872	Eaton Transmission Belt	(#4L600W)

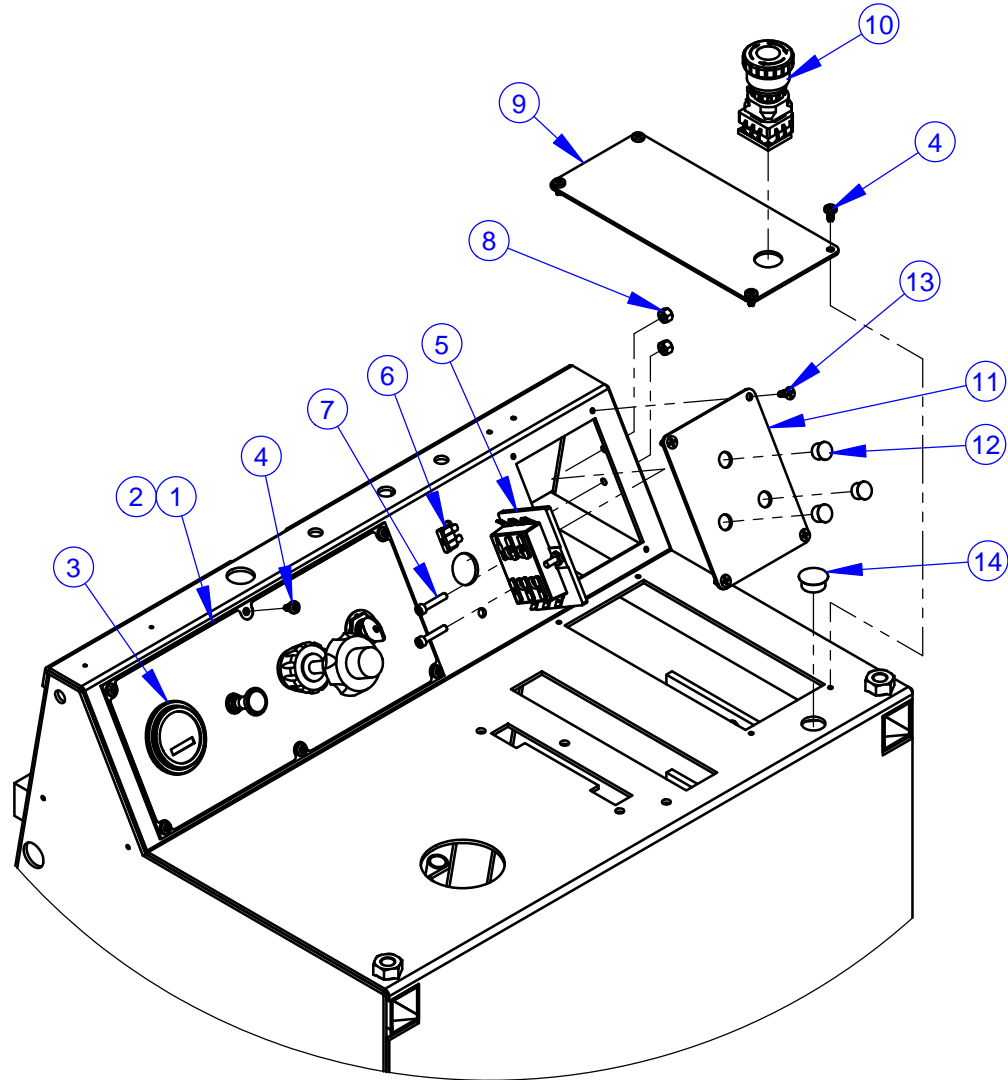
Frame Upright Assembly #6011415



Frame Upright Assembly #6011415

ITEM	PART NO.	QTY.	DESCRIPTION
1	6011401	1	Frame Upright Weldment
2	2900005	2	Cap Screw, Hex Hd., 3/8-16 x 1"
3	2900014	2	Flat Washer, 3/8" SAE
4	2900018	2	Locknut, 3/8-16, Nylon
5	2900025	4	Cap Screw, Hex Hd., 1/2-13 x 1-1/4"
6	2900058	4	Flat Washer, 1/2" SAE
7	2900026	4	Lock Nut, 1/2-13 Nylon
8	6010014	2	Handle Bar, 36" Long
9	2500636	2	Handle Grip
10	2900430	2	Hand Lock Knob, 1/2-13 x 1-1/2"
11	2503704	1	Wrench, 15/16" Combination
12	2501287	4	Plug, 7/16" Hole
13	2503746	1	Plug, 13/16" Hole
14	2500549	1	Plug, 7/8" Hole
15	2500203	1	Grommet, 3/4" I.D.
16	1800169	1	Serial Number Plate, US
17	2900096	2	Rivet, 3/32" Dia.
18	2501427	1	Rope Cleat
19	2900483	2	Tap Screw, Flat Hd., #10-24 x 1-1/4"
20	6011023	1	Rear Cover Screen
21	2503687	2	Pocket Pull Handle
22	2900180	4	Cap Screw, Hex Flange Hd., 1/4-20 x 1"
23	1800377	1	Serial Number Plate, CE (European Saws)
24	2900287	2	Rivet, 1/8" Dia. (European Saws)

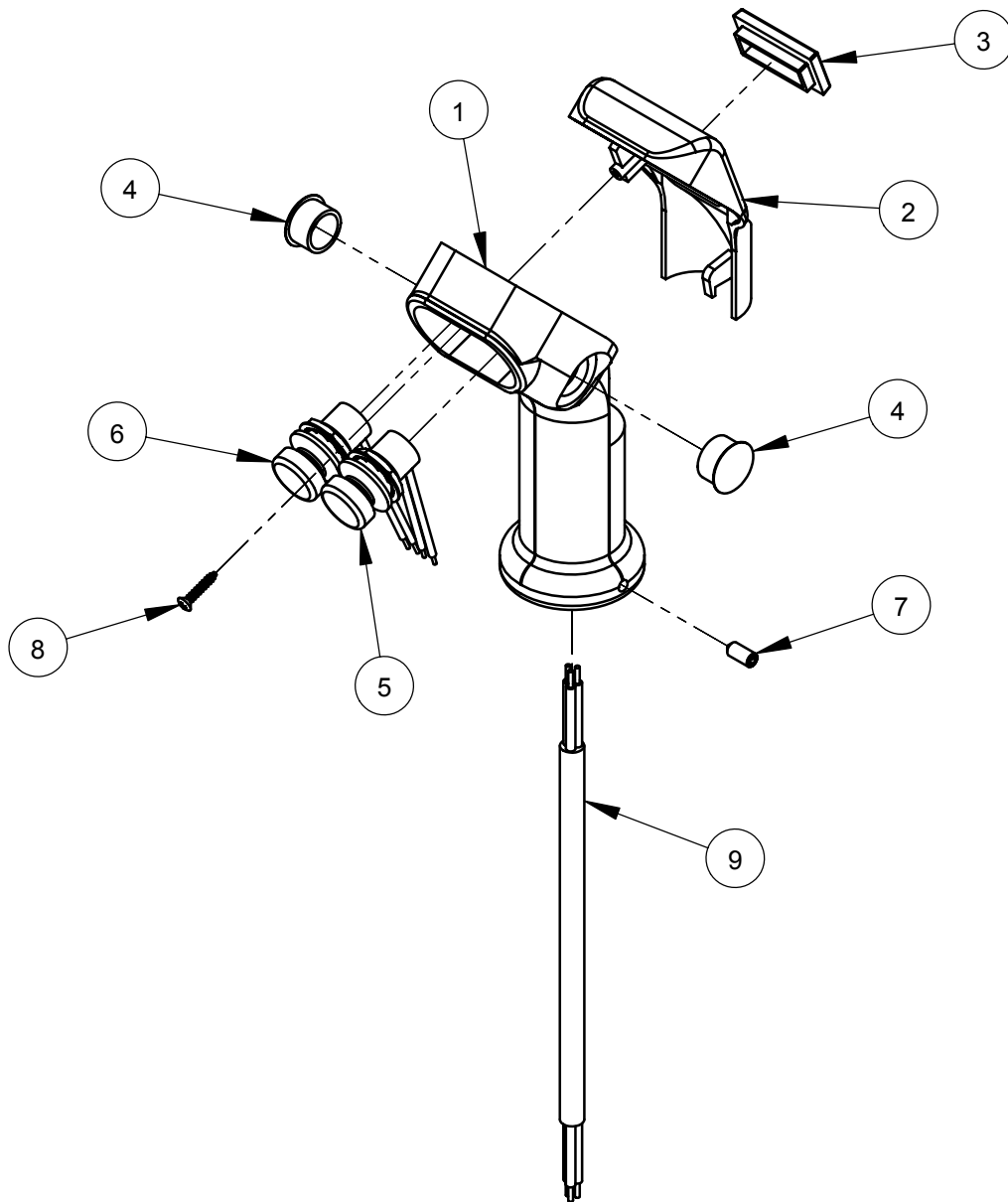
Instrument Panel Assembly #6011381



Note - For Throttle Cable, Choke Cable, and Keyswitch,
see Engine and Throttle Assembly pages

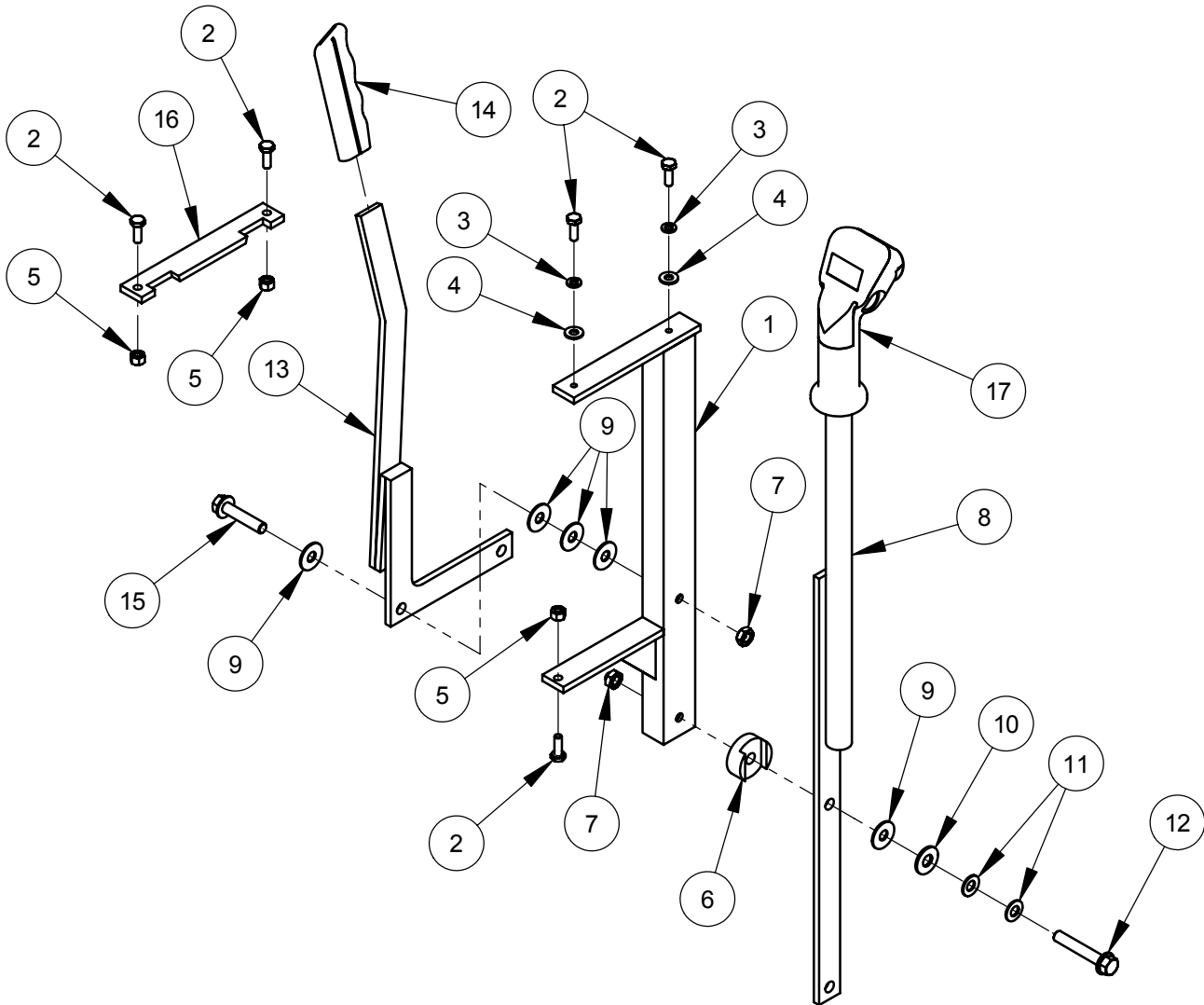
ITEM	PART NO.	QTY.	DESCRIPTION
1	6011380	1	Gauge Panel
2	1801382	1	Instrument Panel Decal
3	2800064	1	Hour Meter
4	2900021	10	Tap Screw, Pan Hd., #10-24 x 3/8"
5	2800388	1	Fuse Panel, 6 Circuit
6	2800389	6	Fuse, 10 Amp Red ATO/ATC
7	2900913	2	Cap Screw, Soc. Hd., #10-24 x 1"
8	2900017	2	Lock Nut, #10-24 Nylon
9	6011024	1	Hydraulic Pump Cover Plate
10	2801367	1	E-Stop Switch
11	6010098	1	Switch Plate
12	2500204	3	Plug, 1/2" Hole
13	2900445	4	Tap Screw, Flat Hd., #10-24 x 1/2"
14	2500463	1	Plug, 3/4" Hole

Control Grip Assembly #6010319



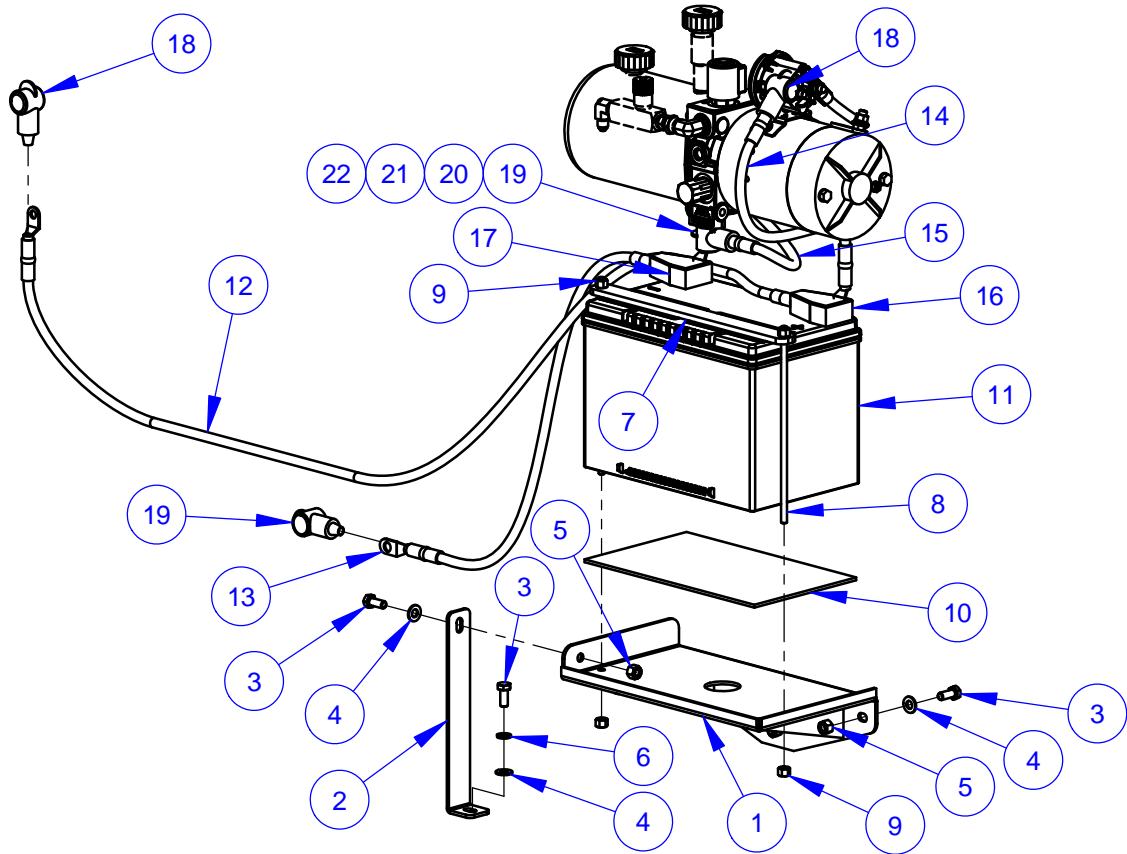
ITEM	PART NO.	QTY.	DESCRIPTION
1	2501280	1	Control Grip Body
2	2501281	1	Control Grip Cover
3	2500644	1	Plug, Rectangular
4	2500694	2	Plug, 5/8" Hole
5	2800372	1	Pushbutton Switch, Raise
6	2800373	1	Pushbutton Switch, Lower
7	2900453	1	Set Screw, Soc. Hd., M5 x 12mm
8	2900452	1	Machine Screw, Oval Hd., #4 x 5/8"
9	2800393	1	Harness, Hydraulic Pump

Control Lever Assembly #6011417 (Eaton)



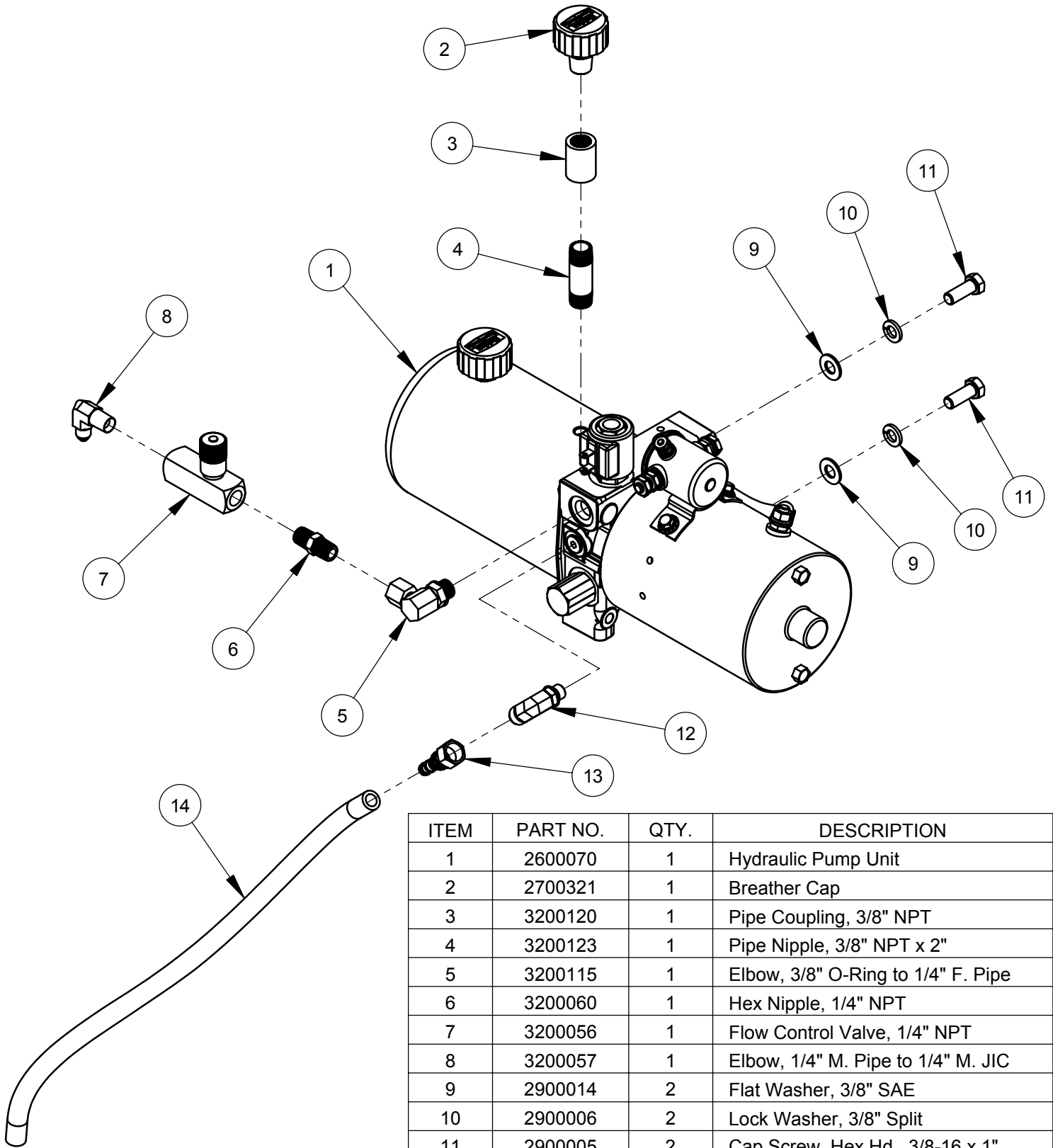
ITEM	PART NO.	QTY	DESCRIPTION
1	6011410	1	Lever Support Weldment
2	2900144	5	Cap Screw, Hex Hd., 1/4-20 x 3/4"
3	2900024	2	Lock Washer, 1/4" Split
4	2900009	2	Flat Washer, 1/4" SAE
5	2900010	3	Lock Nut, 1/4-20 Nylon
6	6010055	1	Friction Spacer
7	2900782	2	Jam Nut, 3/8-16
8	6011414	1	Speed Control Lever
9	2900153	5	Friction Washer, 3/8"
10	2900473	1	Flat Washer, 3/8" USS
11	2900474	2	Belleville Washer, 3/8"
12	2900781	1	Cap Screw, Hex Flange Hd., 3/8-16 x 2-1/4"
13	6010057	1	Engagement Lever Weldment
14	2500002	1	Lever Grip
15	2900780	1	Cap Screw, Hex Flange Hd., 3/8-16 x 1-3/4"
16	6010058	1	Gate Plate
17	6010319	1	Control Grip Assembly

Battery Assembly #6011418



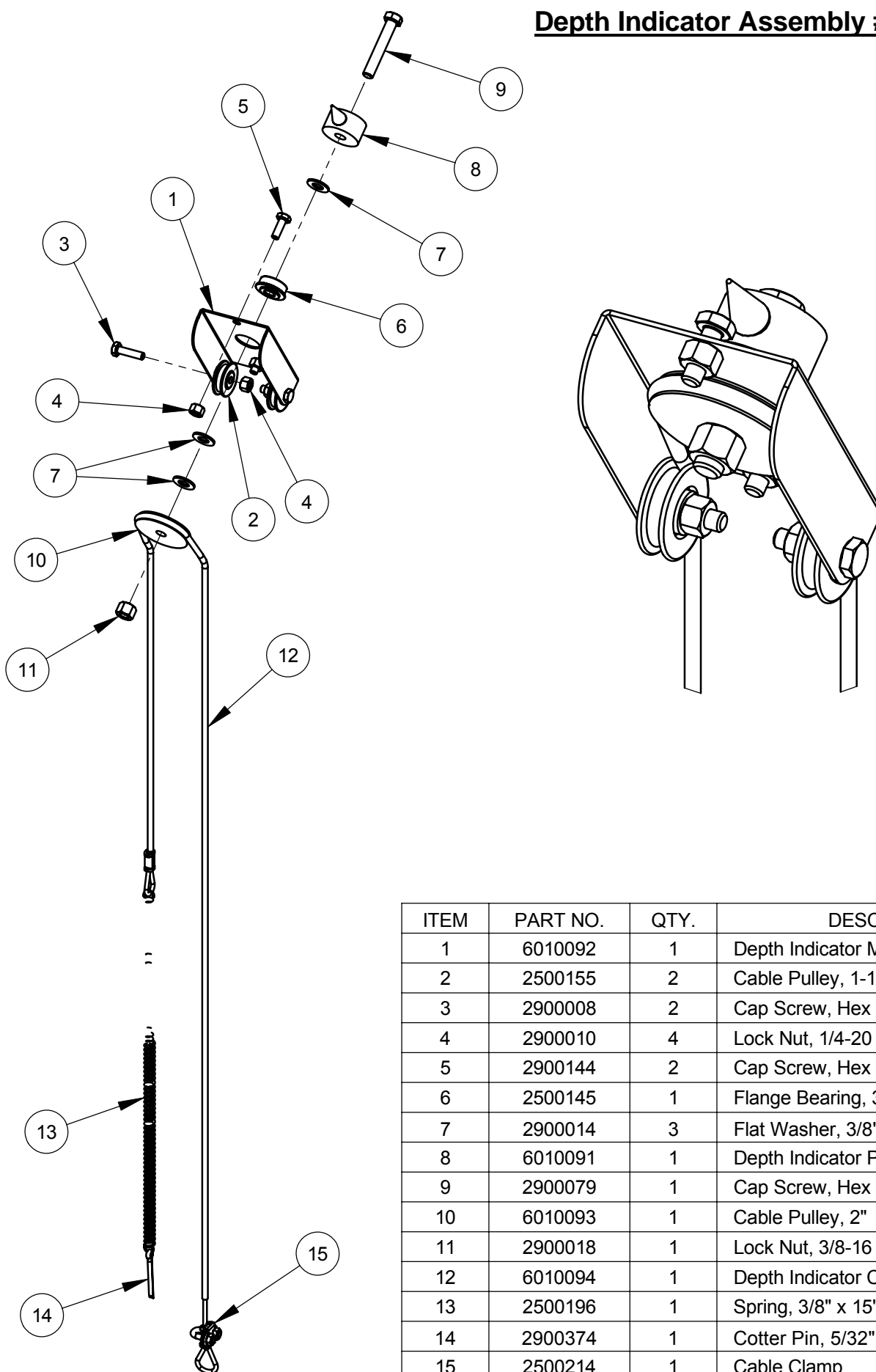
ITEM	PART NO.	QTY.	DESCRIPTION
1	6010670	1	Battery Platform
2	6010554	1	Battery Support Brace
3	2900019	5	Cap Screw, Hex Hd., 5/16-18 x 3/4"
4	2900022	5	Flat Washer, 5/16" SAE
5	2900039	4	Lock Nut, 5/16-18 Nylon
6	2900031	1	Lock Washer, 5/16" Split
7	6010017	1	Battery Top Brace
8	6010018	2	Rod, 1/4-20 x 8-1/2"
9	2900010	4	Lock Nut, 1/4-20 Nylon
10	6010016	1	Battery Pad
11	2700208	1	Battery, 12 Volt Group Size 34
12	2800073	1	Battery Cable, 64" Positive (Red)
13	2800072	1	Battery Cable, 30" Negative (Black)
14	2800095	1	Solenoid Cable, 14" Positive (Red)
15	2800182	1	Ground Cable, 14" Negative (Black)
16	2800256	1	Battery Boot, Large (Red)
17	2800257	1	Battery Boot, Large (Black)
18	2800197	2	Battery Boot, Small (Red)
19	2800198	2	Battery Boot, Small (Black)
20	2900014	1	Flat Washer, 3/8" SAE
21	2900006	1	Lock Washer, 3/8" Split
22	2900196	1	Cap Screw, Hex Hd., 3/8-16 x 3/4"

Hydraulic Pump Assembly #6011077
(Includes Items #1 - #11)



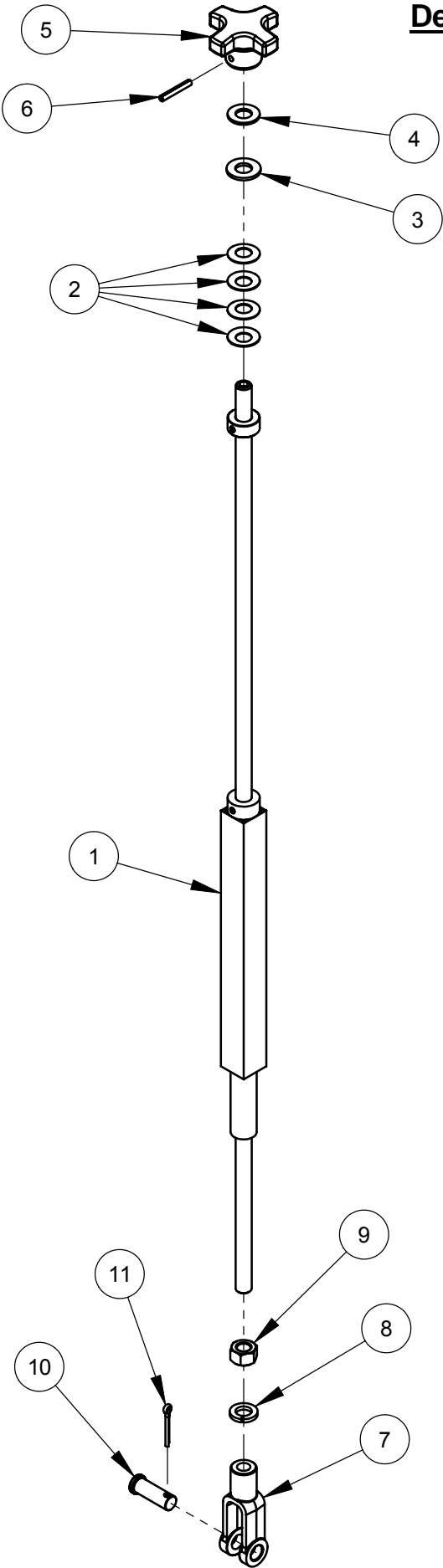
ITEM	PART NO.	QTY.	DESCRIPTION
1	2600070	1	Hydraulic Pump Unit
2	2700321	1	Breather Cap
3	3200120	1	Pipe Coupling, 3/8" NPT
4	3200123	1	Pipe Nipple, 3/8" NPT x 2"
5	3200115	1	Elbow, 3/8" O-Ring to 1/4" F. Pipe
6	3200060	1	Hex Nipple, 1/4" NPT
7	3200056	1	Flow Control Valve, 1/4" NPT
8	3200057	1	Elbow, 1/4" M. Pipe to 1/4" M. JIC
9	2900014	2	Flat Washer, 3/8" SAE
10	2900006	2	Lock Washer, 3/8" Split
11	2900005	2	Cap Screw, Hex Hd., 3/8-16 x 1"
12	3200116	1	Elbow, 1/4" O-Ring to 3/8" M. JIC
13	3200046	1	Fitting, 3/8" F. JIC to 3/8" Push Lock
14	6010059	1	Clear Hose, 3/8" I.D. x 19"

Depth Indicator Assembly #6010214



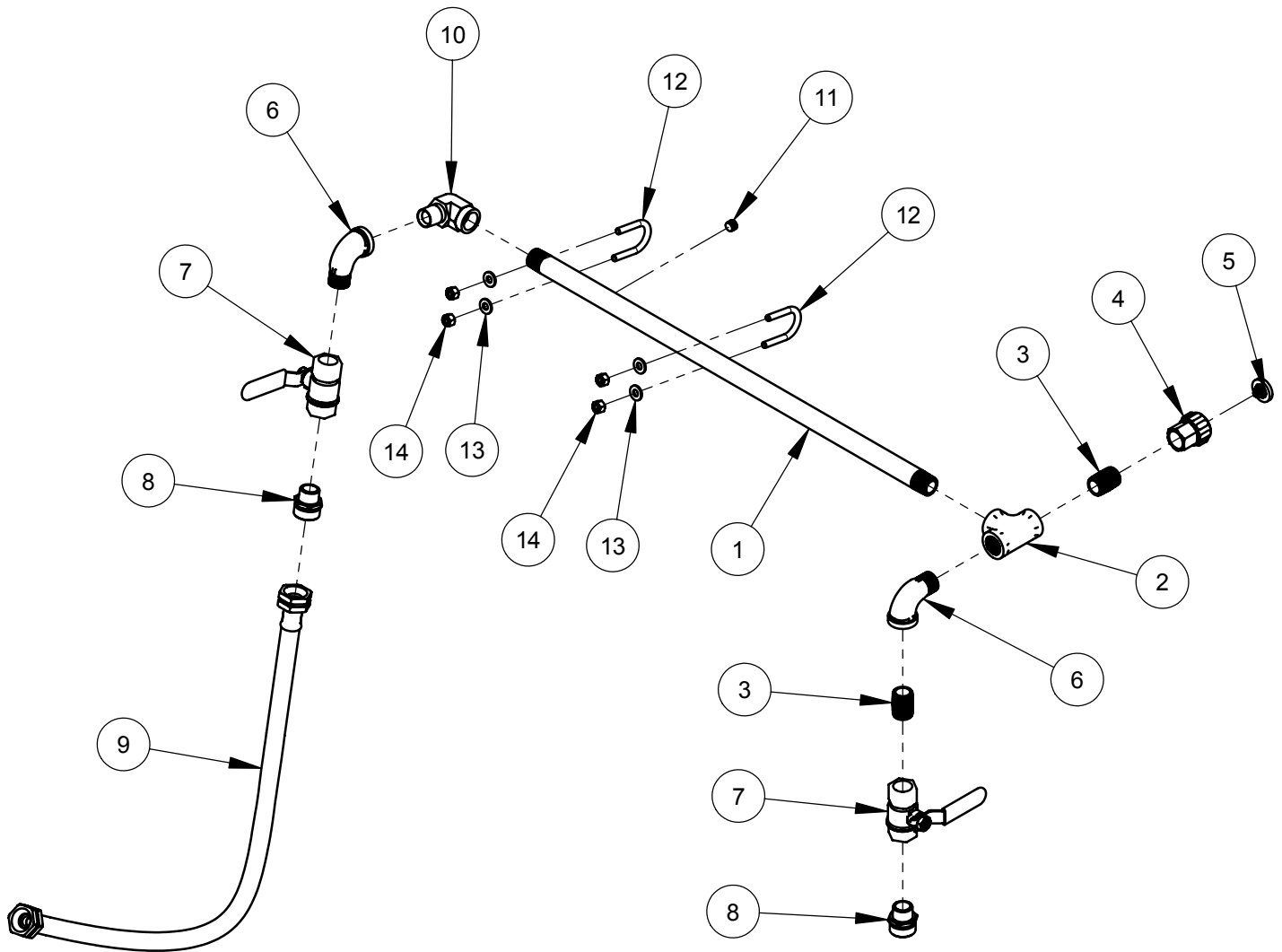
ITEM	PART NO.	QTY.	DESCRIPTION
1	6010092	1	Depth Indicator Mount Bracket
2	2500155	2	Cable Pulley, 1-1/4"
3	2900008	2	Cap Screw, Hex Hd., 1/4-20 x 1"
4	2900010	4	Lock Nut, 1/4-20 Nylon
5	2900144	2	Cap Screw, Hex Hd., 1/4-20 x 3/4"
6	2500145	1	Flange Bearing, 3/8"
7	2900014	3	Flat Washer, 3/8" SAE
8	6010091	1	Depth Indicator Pointer
9	2900079	1	Cap Screw, Hex Hd., 3/8-16 x 2-1/4"
10	6010093	1	Cable Pulley, 2"
11	2900018	1	Lock Nut, 3/8-16 Nylon
12	6010094	1	Depth Indicator Cable with Crimp, 48"
13	2500196	1	Spring, 3/8" x 15"
14	2900374	1	Cotter Pin, 5/32" x 1-1/2"
15	2500214	1	Cable Clamp

Depth Stop Assembly #6010215



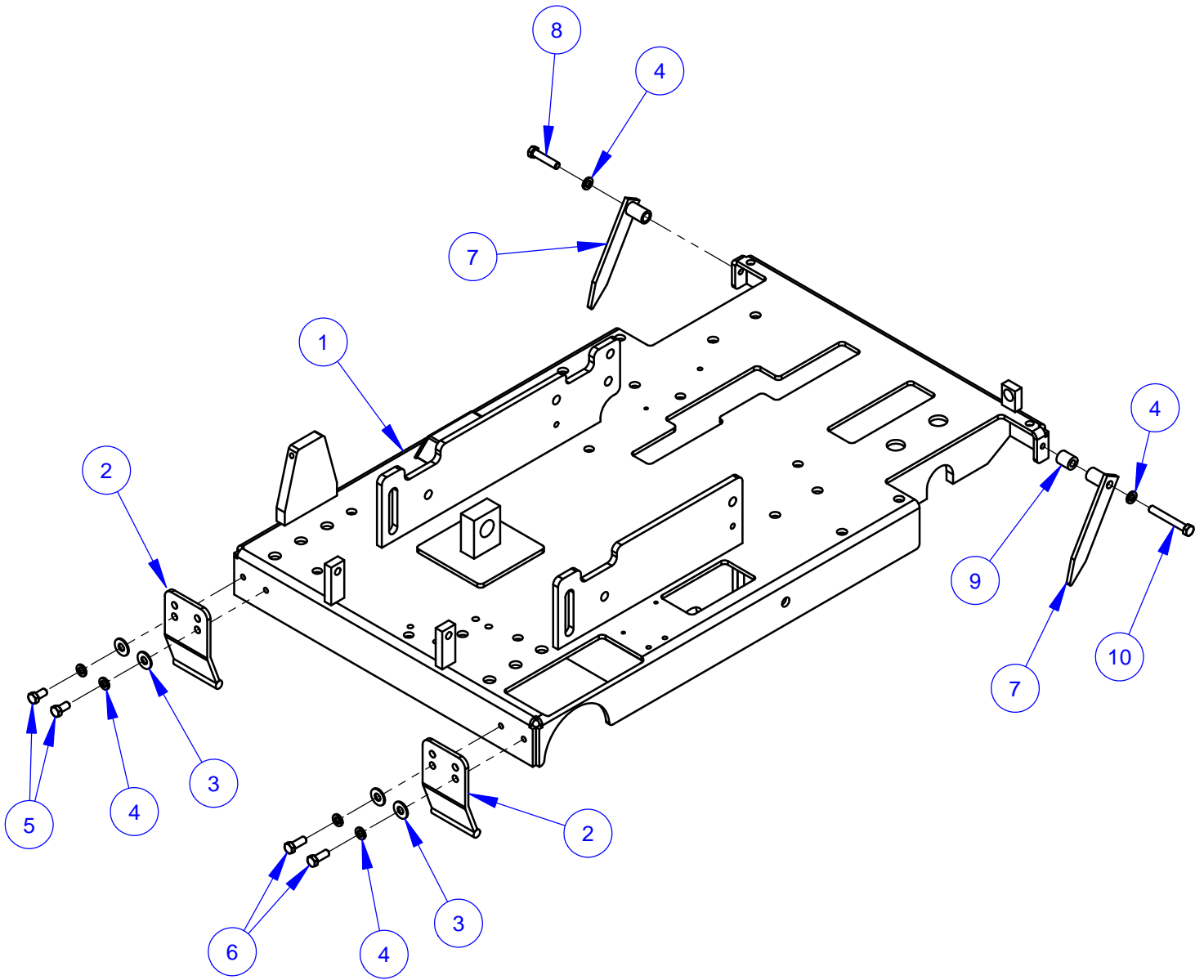
ITEM	PART NO.	QTY.	DESCRIPTION
1	6010097	1	Depth Stop Weldment
2	2900665	4	Belleville Washer, 1/2"
3	2900058	1	Flat Washer, 1/2" SAE
4	2900239	1	Friction Washer, 1/2"
5	6010095	1	Depth Stop Knob
6	2900132	1	Roll Pin, 3/16" x 1-1/4"
7	2900158	1	Yoke, 1/2-13
8	2900084	1	Lock Washer, 1/2" Split
9	2900037	1	Hex Nut, 1/2-13
10	2900007	1	Clevis Pin, 1/2" Dia. x 1-3/8"
11	2900004	1	Cotter Pin, 1/8" x 1"

Water Supply Assembly #6011419



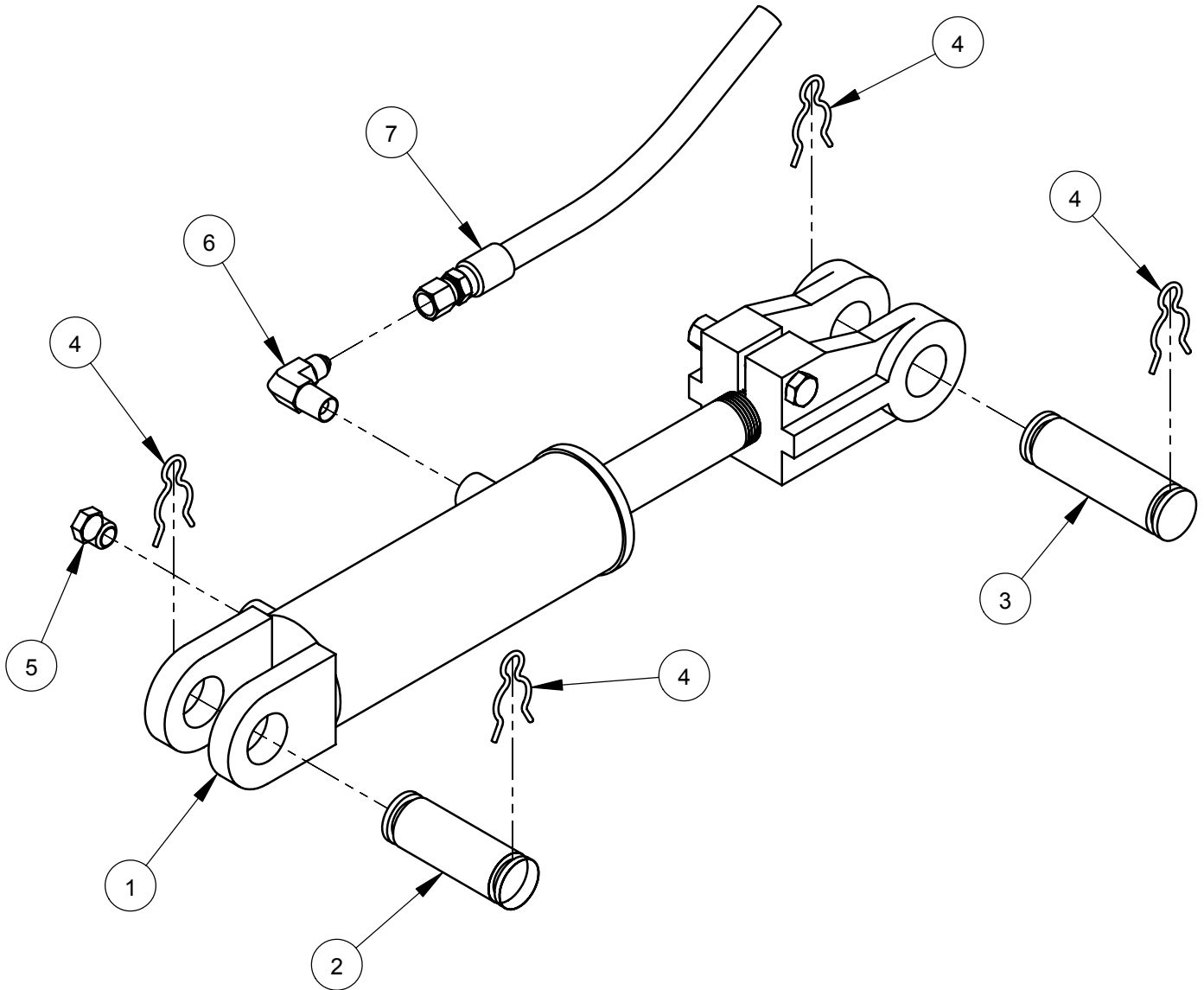
ITEM	PART NO.	QTY.	DESCRIPTION
1	6090067	1	Water Supply Tube
2	3200045	1	Pipe Tee, 1/2" NPT
3	3200008	2	Close Nipple, 1/2" NPT
4	3200022	1	Fitting, 1/2" F. Pipe to 3/4" F. Garden
5	3200025	1	Hose Filter Washer
6	3200013	2	Street Elbow, 1/2" NPT
7	3200027	2	Water Valve
8	3200155	2	Fitting, 1/2" M. Pipe to 3/4" M. Garden
9	6011055	1	Water Hose Assembly, 30" Long
10	3200173	1	Street Elbow, 1/2" NPT Steel
11	3200001	1	Plug, 1/8" NPT
12	2900241	2	U-Bolt, 1/2" Pipe
13	2900009	4	Flat Washer, 1/4" SAE
14	2900010	4	Lock Nut, 1/4-20 Nylon

Frame Base Assembly #6011422



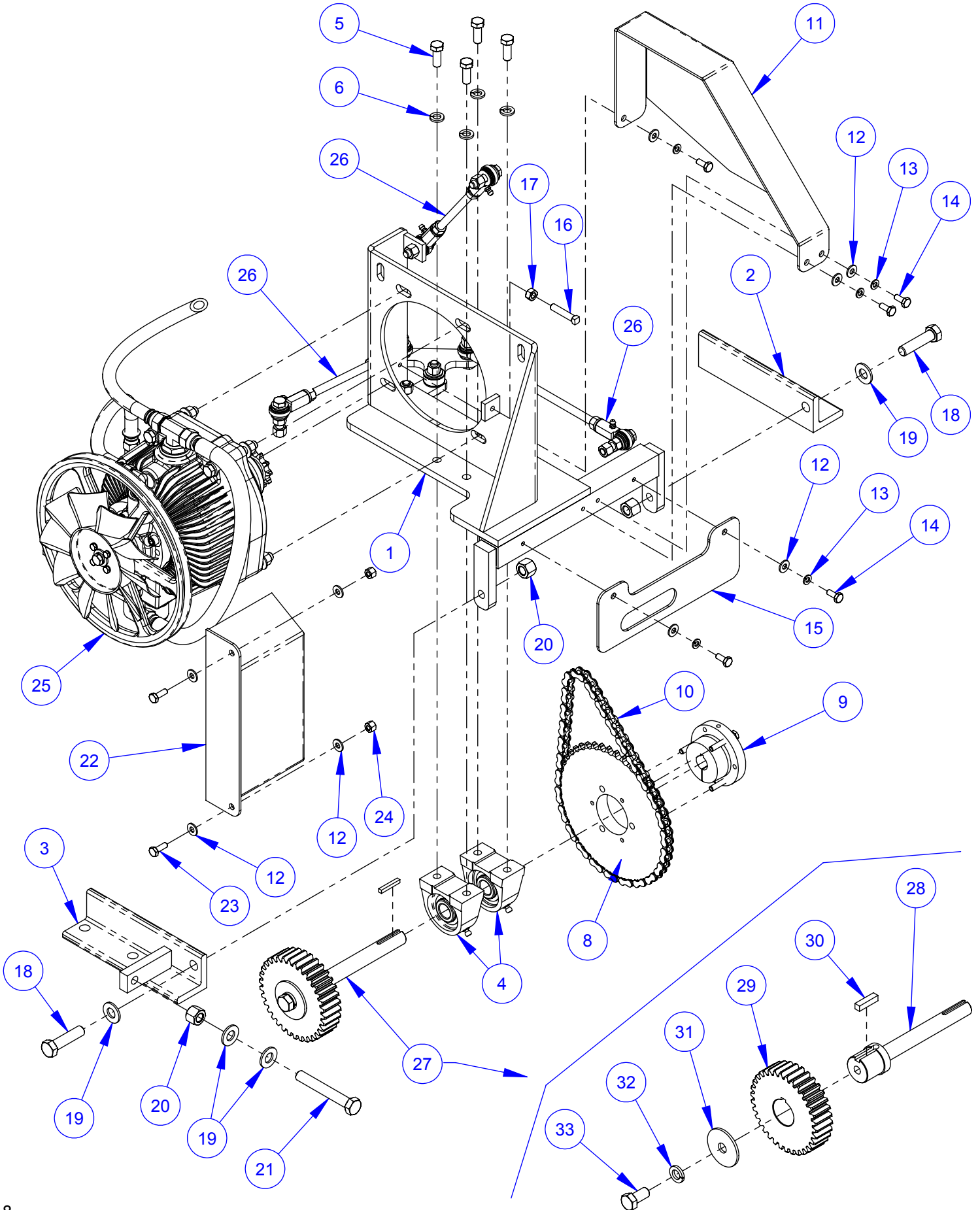
ITEM	PART NO.	QTY.	DESCRIPTION
1	6011400A	1	Frame Base
2	6011021	2	Skid Plate
3	2900473	4	Flat Washer, 3/8" USS
4	2900006	6	Lock Washer, 3/8" Split
5	2900196	2	Cap Screw, Hex Hd., 3/8-16 x 3/4"
6	2900005	2	Cap Screw, Hex Hd., 3/8-16 x 1"
7	6010022	2	Rear Pointer
8	2900047	1	Cap Screw, Hex Hd., 3/8-16 x 1-3/4"
9	6010515	1	Spacer, 7/8" Long
10	2900028	1	Cap Screw, Hex Hd., 3/8-16 x 2-3/4"

Hydraulic Cylinder Assembly #6010714



ITEM	PART NO.	QTY.	DESCRIPTION
1	2500177	1	Hydraulic Cylinder
2	6010031	1	Cylinder Pin, 3"
3	6010119	1	Cylinder Pin, 3-1/2"
4	2900064	4	Hair Pin Cotter, 3/4"
5	3200067	1	Cylinder Breather, 1/4" NPT
6	3200057	1	Elbow, 1/4" M. Pipe to 1/4" M. JIC
7	3200054	1	Hose Assembly, 32" Long

Rear Drive Assembly #6011461 (Eaton)

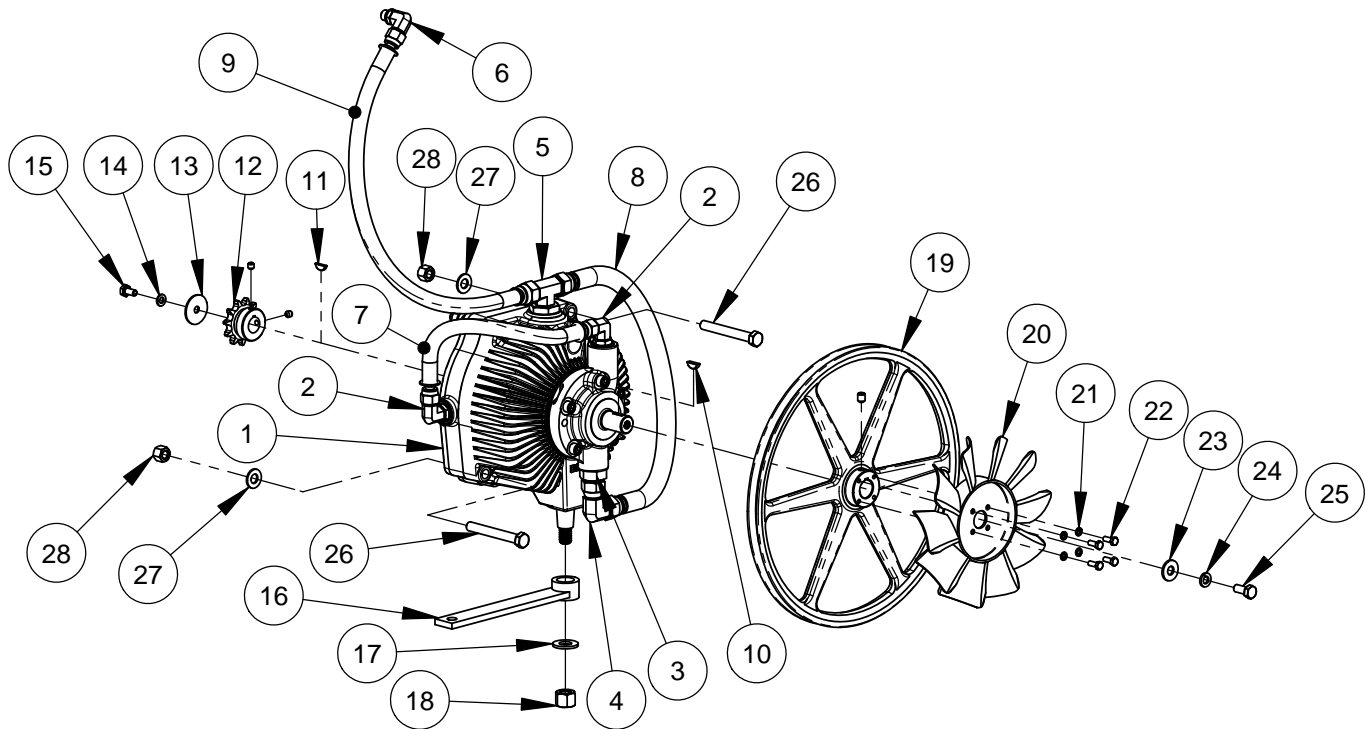


Rear Drive Assembly #6011461 (Eaton)

ITEM	PART NO.	QTY.	DESCRIPTION
1	6010068	1	Transmission Platform Weldment
2	6010027	1	Mount Foot, Right Hand
3	6011408	1	Mount Foot, Adjustable
4	2500159	2	Pillow Block Bearing, 3/4"
5	2900005	4	Cap Screw, Hex Hd., 3/8-16 x 1"
6	2900006	4	Lock Washer, 3/8" Split
7	6048229	1	Key, 3/16" Sq. x 1-1/4"
8	2500148	1	Sprocket, #40 x 45 Tooth
9	2500149	1	QD Bushing, SDS x 3/4" w/Fasteners
10	6010069	1	Chain, #40 x 56 Pitch
11	6010671	1	Chain Guard
12	2900009	9	Flat Washer, 1/4" SAE
13	2900024	5	Lock Washer, 1/4" Split
14	2900023	5	Cap Screw, Hex Hd., 1/4-20 x 5/8"
15	6010679	1	Gear Guard
16	2900140	1	Set Screw, Sq. Hd., 5/16-18 x 1-1/2"
17	2900141	1	Hex Nut, 5/16-18
18	2900106	2	Cap Screw, Hex Hd., 1/2-13 x 2"
19	2900058	4	Flat Washer, 1/2" SAE
20	2900026	3	Lock Nut, 1/2-13 Nylon
21	2900542	1	Tap Bolt, Hex Hd., 1/2-13 x 3-1/2"
22	6011409	1	Fan Guard
23	2900144	2	Cap Screw, Hex Hd., 1/4-20 x 3/4"
24	2900010	2	Lock Nut, 1/4-20 Nylon
25	6011679	1	Eaton Transmission Assembly
26	6011425	1	Linkage Assembly
27	6011442	1	Transmission Jackshaft Assembly

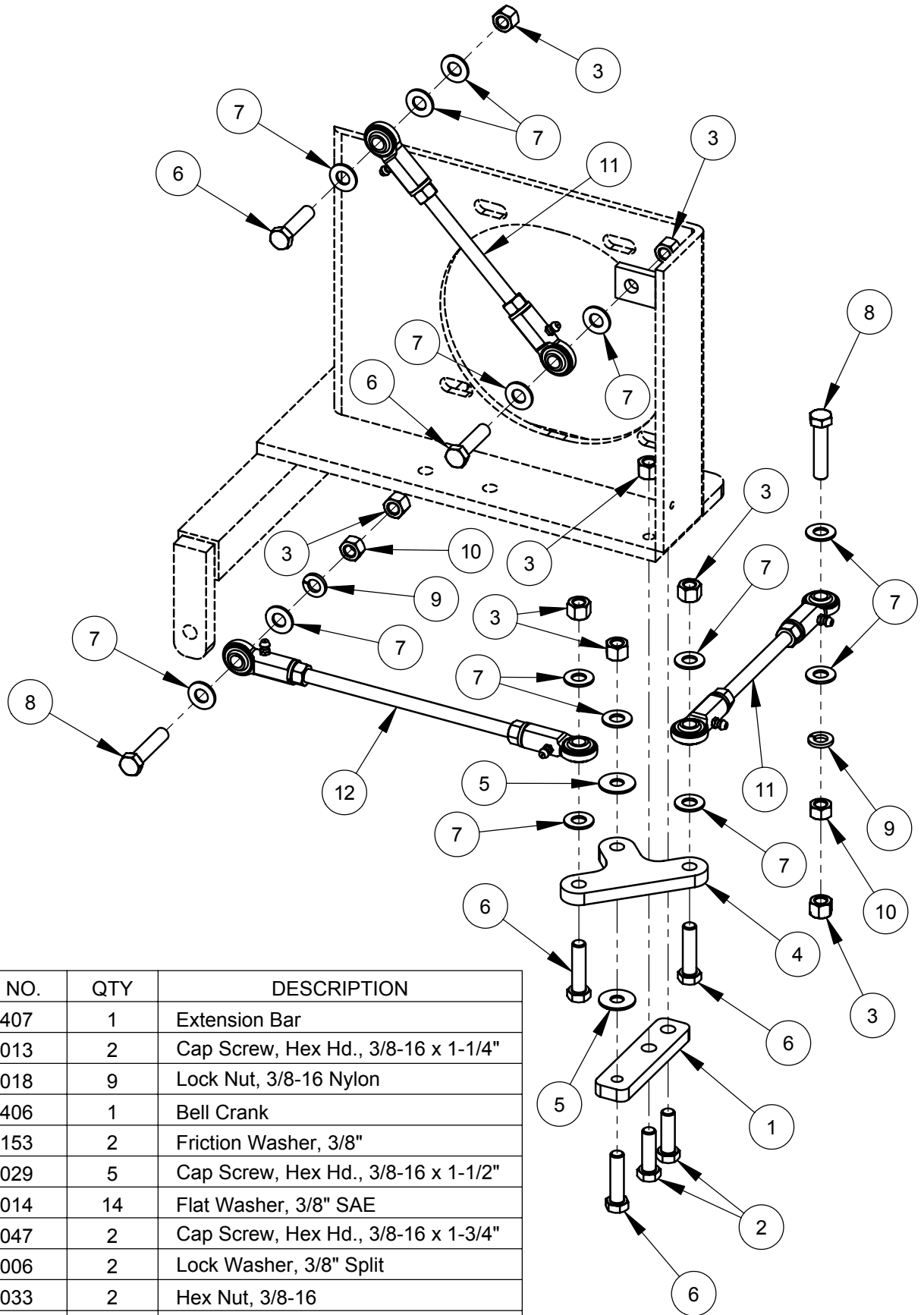
ITEM	PART NO.	QTY.	DESCRIPTION
28	6011443	1	Gear Jackshaft
29	6011444	1	Spur Gear, 34 Tooth
30	2502531	1	Key, 5/16" Sq. x 1-1/4"
31	2900854	1	Fender Washer, 1/2" x 2"
32	2900084	1	Lock Washer, 1/2" Split
33	2900086	1	Cap Screw, Hex Hd., 1/2-13 x 1"

Eaton Transmission Assembly # 6011679



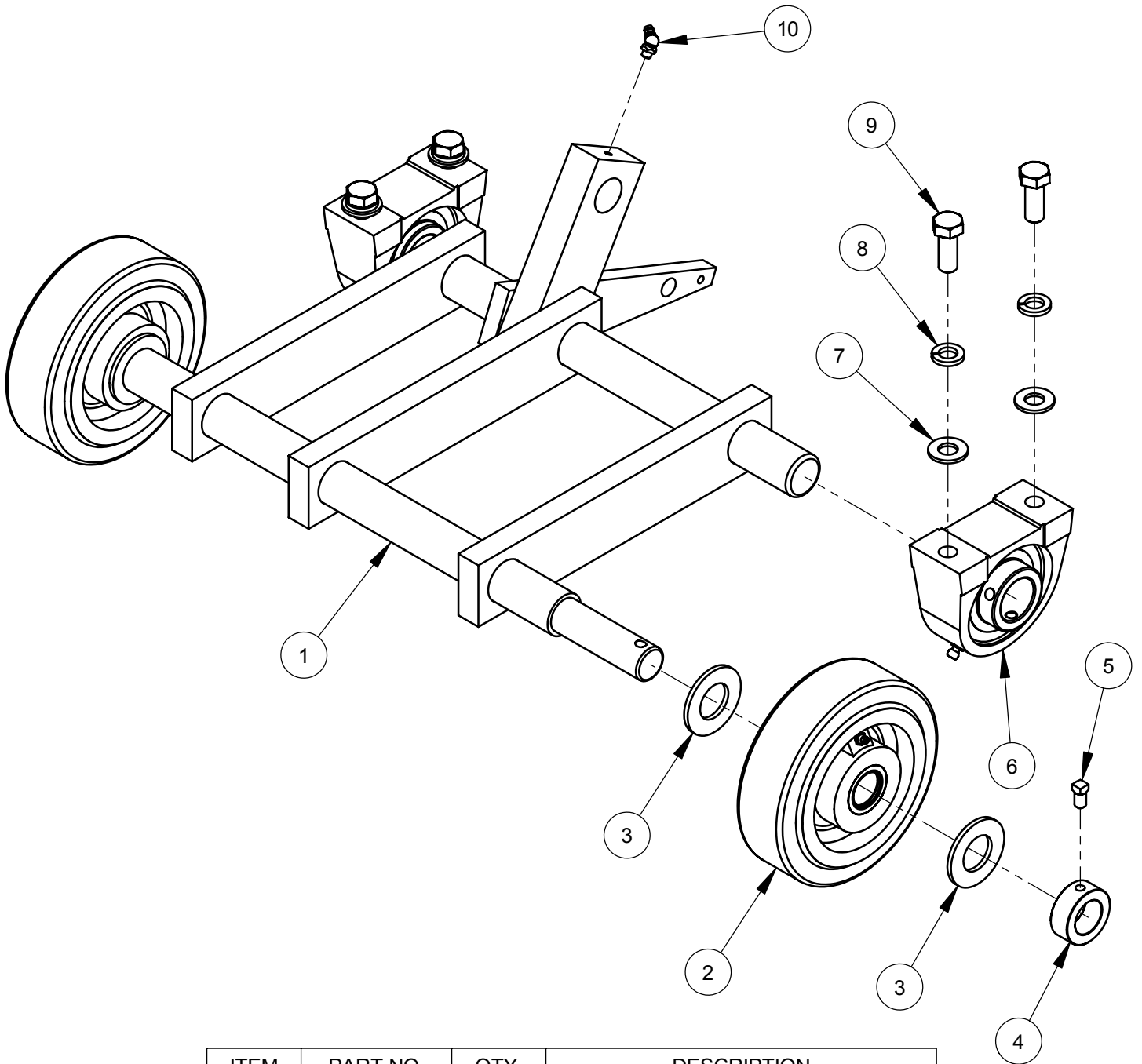
ITEM	PART NO.	QTY.	DESCRIPTION
1	2600720	1	Eaton Model 11 Transmission
2	3200271	2	Elbow, 3/8" O-Ring to 3/8" M. JIC
3	3200287	1	Adapter, 5/8" O-Ring to 1/2" M. JIC
4	3200304	1	Elbow, 1/2" M. JIC to 1/2" F. JIC
5	3201878	1	Tee, 1/2" M. JIC to 5/8" O-Ring
6	3200116	1	Elbow, 1/4" O-Ring to 3/8" M. JIC
7	6012250	1	Hose Assembly 3/8" x 10"
8	6012251	1	Hose Assembly 1/2" x 16"
9	6012252	1	Hose Assembly 3/8" x 26"
10	2900143	1	Woodruff Key #61, 3/16" x 5/8"
11	2900063	1	Woodruff Key #405, 1/8" x 5/8"
12	2500150	1	Sprocket, #40 x 11 Tooth w/Setscrews
13	2900083	1	Fender Washer, 1/4" x 1-1/4"
14	2900024	1	Lock Washer, 1/4" Split
15	2900082	1	Cap Screw, Hex Hd., 1/4-20 x 1/2"
16	6010064	1	Shift Lever
17	2900058	1	Flat Washer, 1/2" SAE
18	2900026	1	Lock Nut, 1/2-13 Nylon
19	6011459	1	Transmission Pulley 12" w/Setscrew
20	2500519	1	Cooling Fan, 7"
21	2900038	4	Lock Washer, #10 Split
22	2900448	4	Machine Screw, Hex Hd., #10-32 x 1/2"
23	2900567	1	Flat Washer, 5/16" USS
24	2900031	1	Lock Washer, 5/16" Split
25	2900019	1	Cap Screw, Hex Hd., 5/16-18 x 3/4"
26	2900035	4	Cap Screw, Hex Hd., 3/8-16 x 3"
27	2900014	4	Flat Washer, 3/8" SAE
28	2900018	4	Locknut, 3/8-16, Nylon

Linkage Assembly #6011425



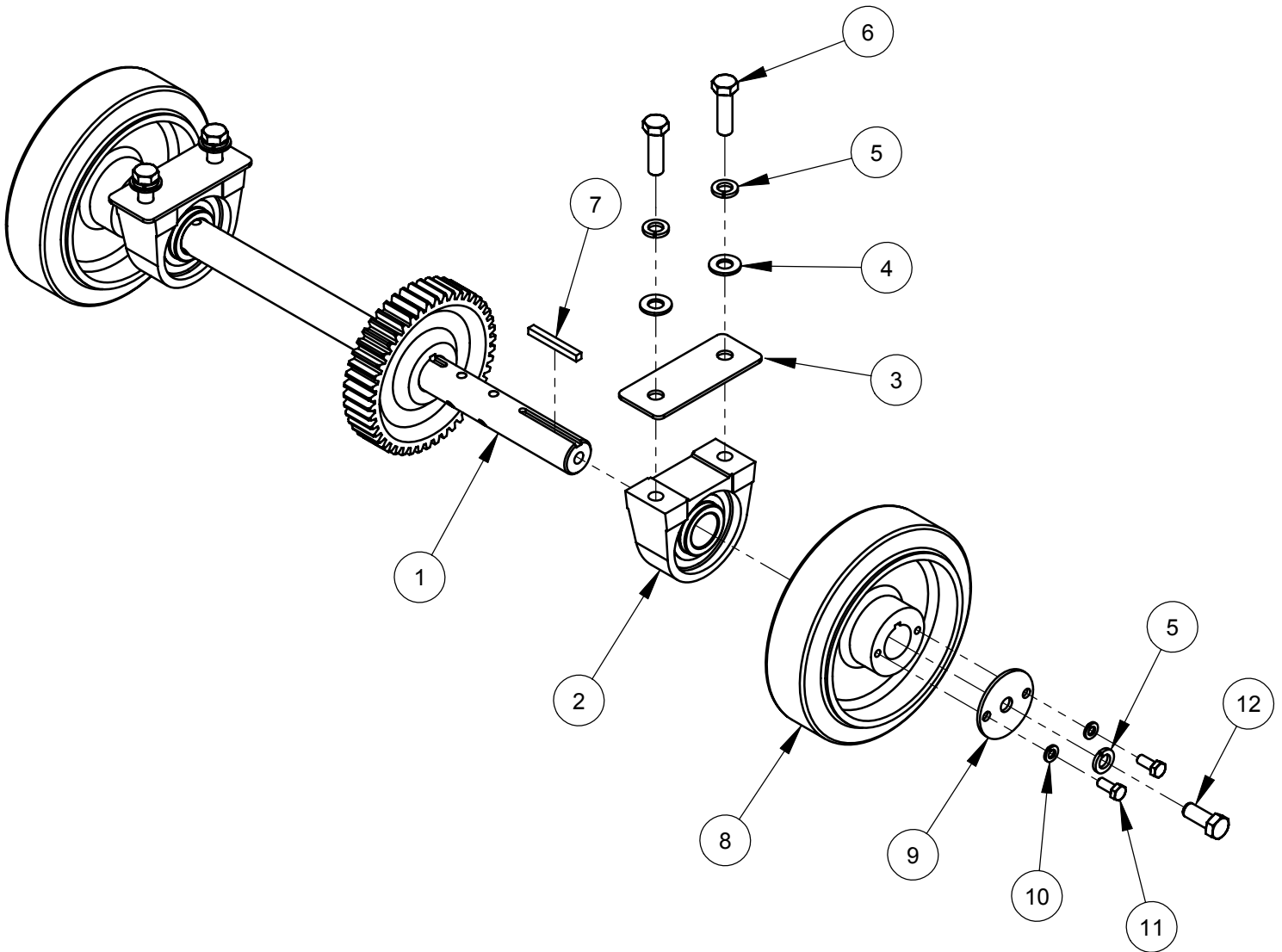
ITEM	PART NO.	QTY	DESCRIPTION
1	6011407	1	Extension Bar
2	2900013	2	Cap Screw, Hex Hd., 3/8-16 x 1-1/4"
3	2900018	9	Lock Nut, 3/8-16 Nylon
4	6011406	1	Bell Crank
5	2900153	2	Friction Washer, 3/8"
6	2900029	5	Cap Screw, Hex Hd., 3/8-16 x 1-1/2"
7	2900014	14	Flat Washer, 3/8" SAE
8	2900047	2	Cap Screw, Hex Hd., 3/8-16 x 1-3/4"
9	2900006	2	Lock Washer, 3/8" Split
10	2900033	2	Hex Nut, 3/8-16
11	6011412	2	Linkage Assembly 7-3/4"
12	6012095	1	Linkage Assembly 10-1/2"

Front Axle Assembly #6011070



ITEM	PART NO.	QTY.	DESCRIPTION
1	6011003	1	Front Axle Weldment
2	2500299	2	Wheel, 6" Front
3	2900295	4	Flat Washer, 1" SAE
4	2500009	2	Set Collar, 1" ID
5	2900431	2	Set Screw, Sq. Hd., 5/16-18 x 1/2"
6	2500158	2	Pillow Block Bearing 1-1/4"
7	2900058	4	Flat Washer, 1/2" SAE
8	2900084	4	Lock Washer, 1/2" Split
9	2900025	4	Cap Screw, Hex Hd., 1/2-13 x 1-1/4"
10	2900184	1	Grease Fitting, 1/4" NPT x 45 degree

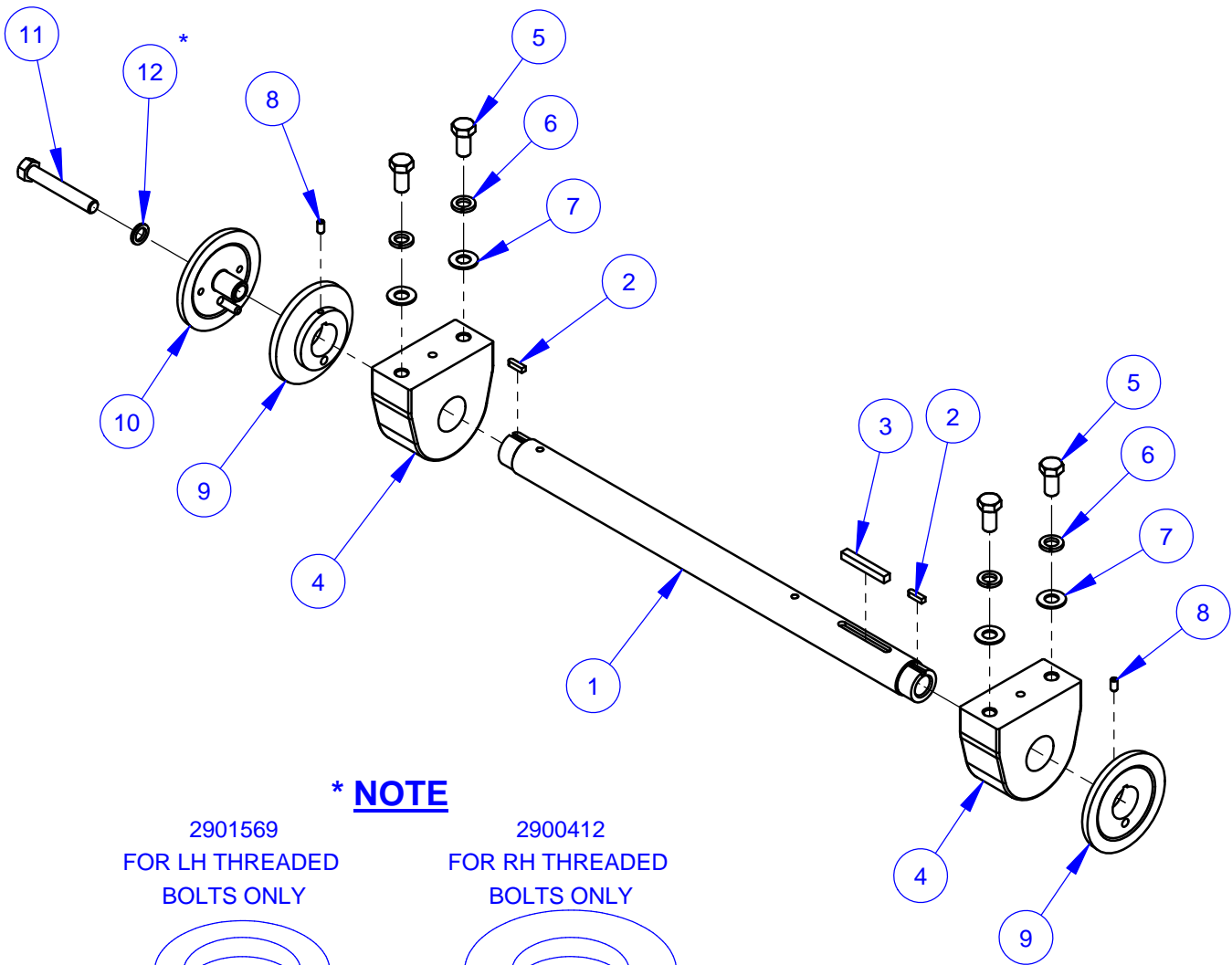
Rear Axle Assembly #6011402 (Eaton / Gear)



ITEM	PART NO.	QTY.	DESCRIPTION
1	6011403	1	Rear Axle Weldment w/46 Tooth Gear
2	2500158	2	Pillow Block Bearing 1-1/4"
3	6010024	2	Rear Axle Bearing Spacer, 1/8"
4	2900058	4	Flat Washer, 1/2" SAE
5	2900084	6	Lock Washer, 1/2" Split
6	2900139	4	Cap Screw, Hex Hd., 1/2-13 x 1-3/4"
7	6048134	2	Key, 1/4" Sq. x 2-1/4"
8	6011019	2	Wheel, 8" Rear
9	6010026	2	Wheel Mount Washer
10	2900031	4	Lock Washer, 5/16" Split
11	2900019	4	Cap Screw, Hex Hd., 5/16-18 x 3/4"
12	2900025	2	Cap Screw, Hex Hd., 1/2-13 x 1-1/4"

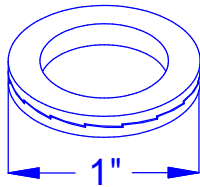
Intentionally Blank

Blade Shaft Assembly #6011735

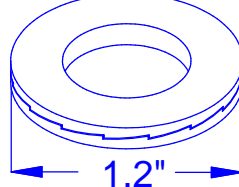


*** NOTE**

2901569
FOR LH THREADED
BOLTS ONLY



2900412
FOR RH THREADED
BOLTS ONLY

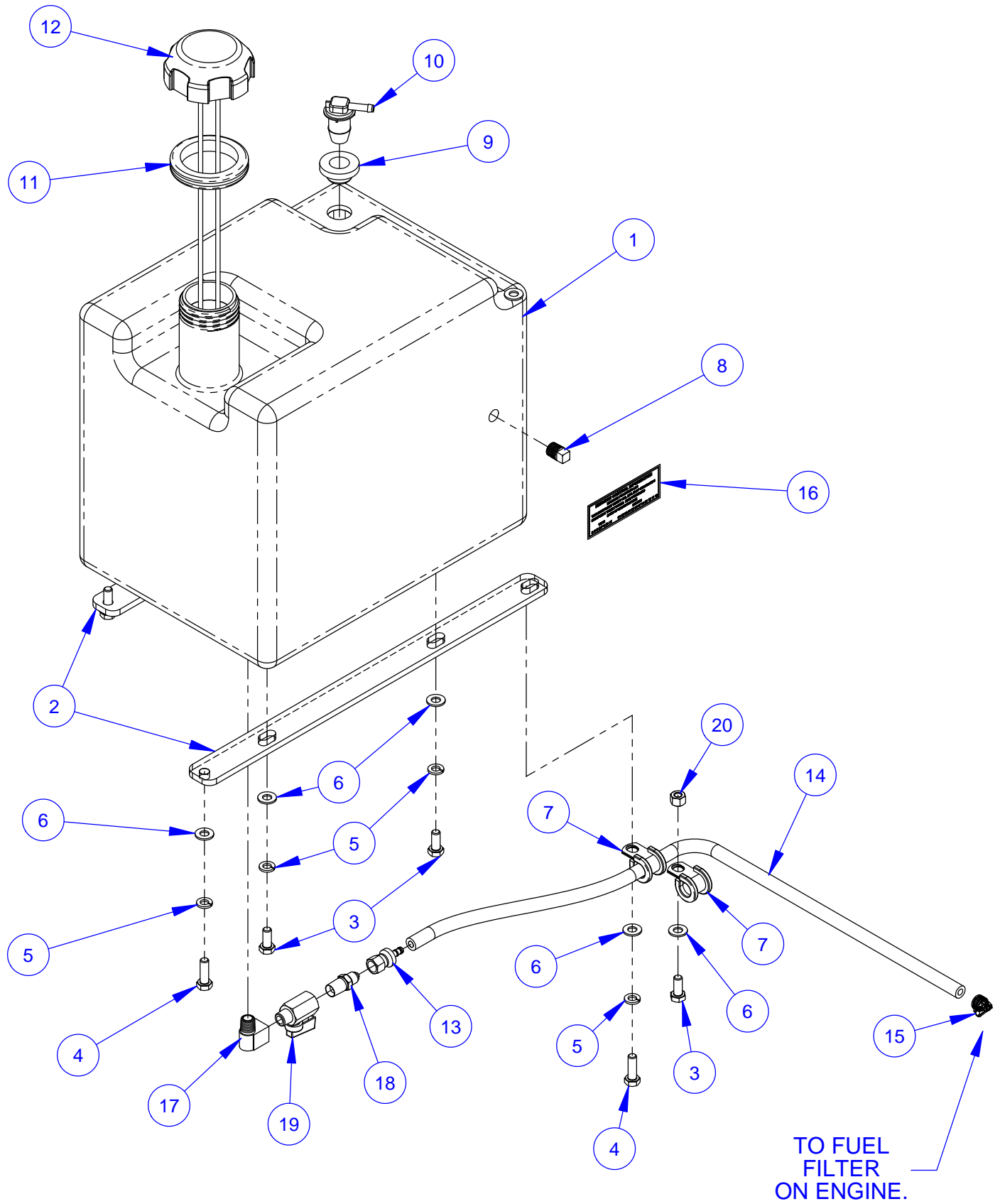


* 2900412 Shown on
Belt Guard Assembly
#6011728 page

ITEM	PART NO.	QTY.	DESCRIPTION
1	6011002	1	Blade Shaft
2	6010040	2	Key, 1/4" Sq. x 15/16"
3	6011058	1	Key, 3/8" Sq. x 2-3/4"
4	2500151	2	Blade Shaft Bearing, 1-3/4"
5	2900512	4	Cap Screw, Hex Hd., 5/8-11 x 1-1/4"
6	2900113	4	Lock Washer, 5/8" Split
7	2900002	4	Flat Washer, 5/8" SAE
8	2900418	2	Set Screw, Soc. Hd., 5/16-18 x 5/8"
9	6010255	2	Inner Flange 5"
10	6047907	1	Outer Flange 5" with Pin
11	2900130	1	Cap Screw, Hex Hd., 5/8-11 x 4" LH
12	2901569	1	Wedge Lock Washer Pair, 5/8" LH

*

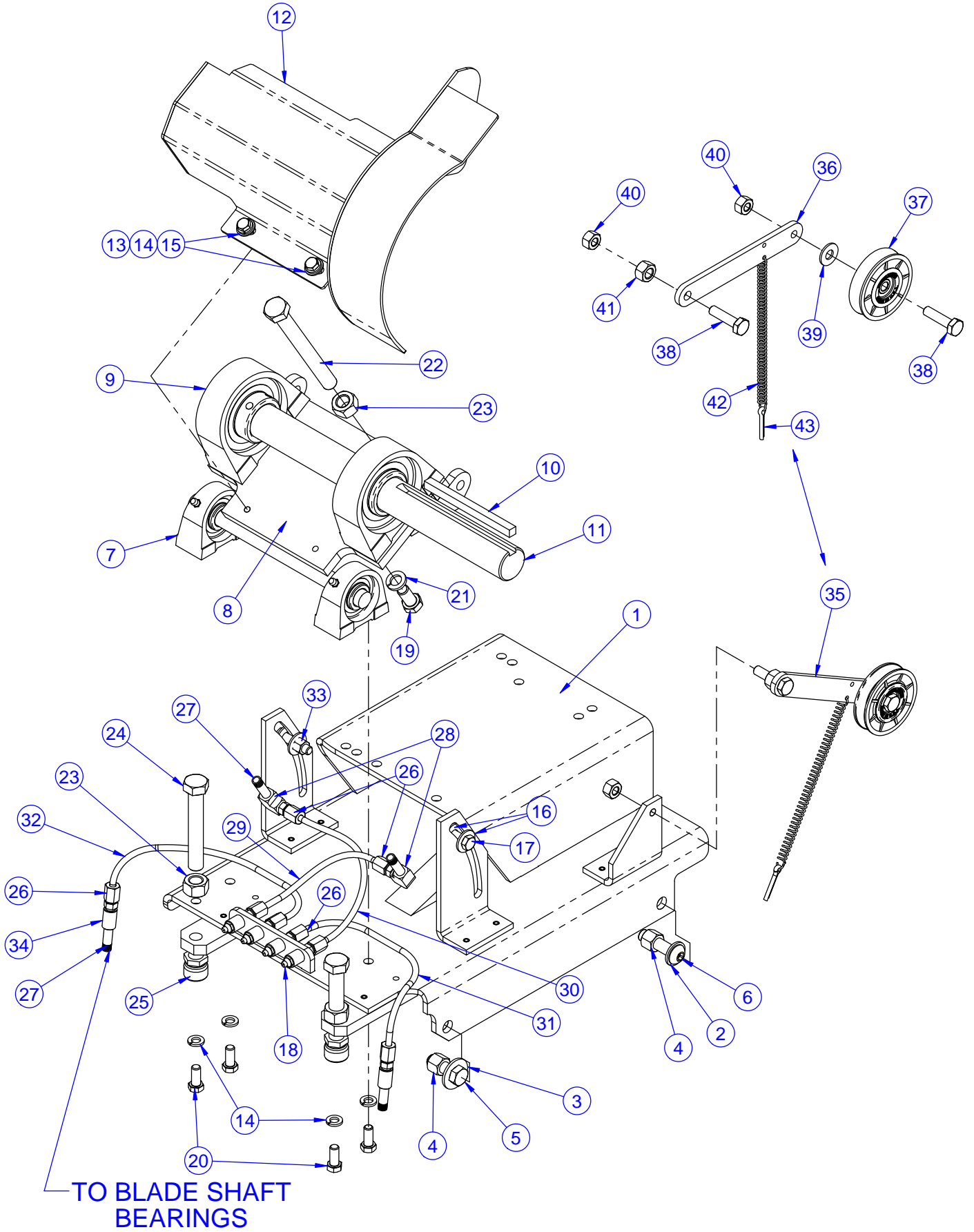
Fuel Tank Assembly #6011388



Fuel Tank Assembly #6011388

ITEM	PART NO.	QTY.	DESCRIPTION
1	2505531	1	Fuel Tank, 5.6 Gallon
2	6011083	2	Fuel Tank Mount Bar
3	2900019	5	Cap Screw, Hex Hd., 5/16-18 x 3/4"
4	2900138	4	Cap Screw, Hex Hd., 5/16-18 x 1"
5	2900031	8	Lock Washer, 5/16" Split
6	2900022	10	Flat Washer, 5/16" SAE
7	2501434	2	Hose Clamp, 5/8" x 3/4" Wide
8	3200206	1	Pipe Plug, 1/4" NPT
9	2506716	1	Grommet
10	2502484	1	Roll Over Vent, 1/4" Hose Barb
11	2500205	1	Fuel Tank Grommet
12	2503294	1	Fuel Tank Cap, W/Gage
13	3200091	1	Fitting, 1/4" F. JIC to 1/4" Push Lock
14	6010496	1	Fuel Line Hose, 1/4" I.D. x 20"
15	3200062	1	Hose Clamp #4
16	1801716	1	Decal, EPA EVAP Standard
17	3200012	1	Street Elbow, 1/4" NPT
18	3200418	1	Adapter, 1/4" M. Pipe to 1/4" M. JIC
19	3200108	1	Ball Valve, 1/4" NPT
20	2900039	1	Lock Nut, 5/16-18 Nylon

Engine Base Assembly #6011712

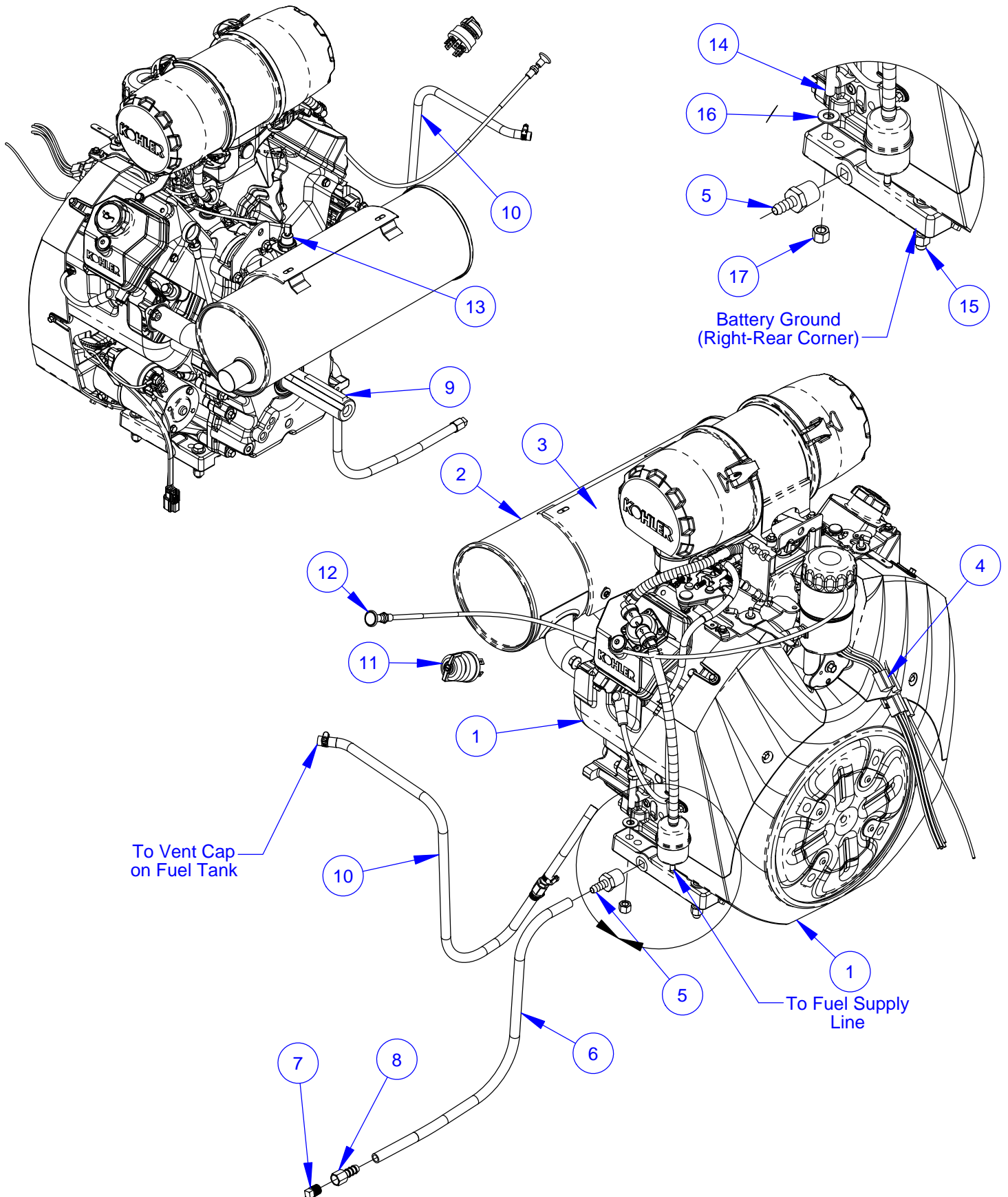


Engine Base Assembly #6011712

ITEM	PART NO.	QTY.	DESCRIPTION
1	6011707	1	Engine Base Weldment CC3500J
2	2900058	2	Flat Washer, 1/2" SAE
3	2900127	2	Flat Washer, 1/2" USS
4	2900026	4	Lock Nut, 1/2-13 Nylon
5	2900499	3	Cap Screw, Hex Hd., 1/2-13 x 1-1/2"
6	2900288	1	Cap Screw, Button Hd., 1/2-13 x 2"
7	2500159	2	Pillow Block Bearing, 3/4"
8	6011710	1	Pivot Plate, Jack Shaft CC3500J
9	2500731	2	Pillow Block Bearing 1-1/2"
10	6010034	1	Key, 3/8" Sq. x 5"
11	6011706	1	Jack Shaft, CC3500J
12	6011708	1	Belt Guard, Jack Shaft CC3500J
13	2900883	2	Cap Screw, Hex Hd., 5/16-18 x 5/8"
14	2900006	6	Lock Washer, 3/8" Split
15	2900014	2	Flat Washer, 3/8" SAE
16	2900473	4	Flat Washer, 3/8" USS
17	2900029	2	Cap Screw, Hex Hd., 3/8-16 x 1-1/2"
18	2900062	4	Grease Fitting, 1/8" NPT
19	2900086	4	Cap Screw, Hex Hd., 1/2-13 x 1"
20	2900621	4	Cap Screw, Hex Hd., 3/8-16 x 7/8"
21	2900084	4	Lock Washer, 1/2" Split
22	2900104	1	Tap Bolt, Hex Hd., 5/8-11 x 6"
23	2900112	3	Hex Nut, 5/8-11
24	2900492	2	Tap Bolt, Hex Hd., 5/8-11 x 4"
25	2900446	2	Swivel Pad Nut, 5/8-11
26	3201276	8	1/4" Compression Tube Fitting
27	3201462	4	Nipple, 1/8" NPT X 1-1/2"
28	3200154	2	Pipe Elbow, 1/8" NPT Female
29	6011715	1	Grease Tube, 1/4" x 7"
30	6011672	1	Grease Tube, 1/4" x 8"
31	6011673	1	Grease Tube, 1/4" x 14"
32	6011748	1	Grease Tube, 1/4" x 15"
33	2900018	2	Locknut, 3/8-16, Nylon
34	3200388	2	1/8" Pipe Coupling
35	6011765	1	Idler Assembly

ITEM	PART NO.	QTY.	DESCRIPTION
36	6048085	1	Idler Arm
37	2500074	1	Idler Pulley 3"
38	2900316	2	Cap Screw, Hex Hd., M10-1.5 x 40mm
39	2900473	1	Flat Washer, 3/8" USS
40	2900304	2	Lock Nut, M10-1.5 Nylon Insert
41	2900037	1	Hex Nut, 1/2-13
42	2500195	1	Spring, 3/8" x 7-3/4"
43	2900055	1	Cotter Pin, 3/16" x 1"

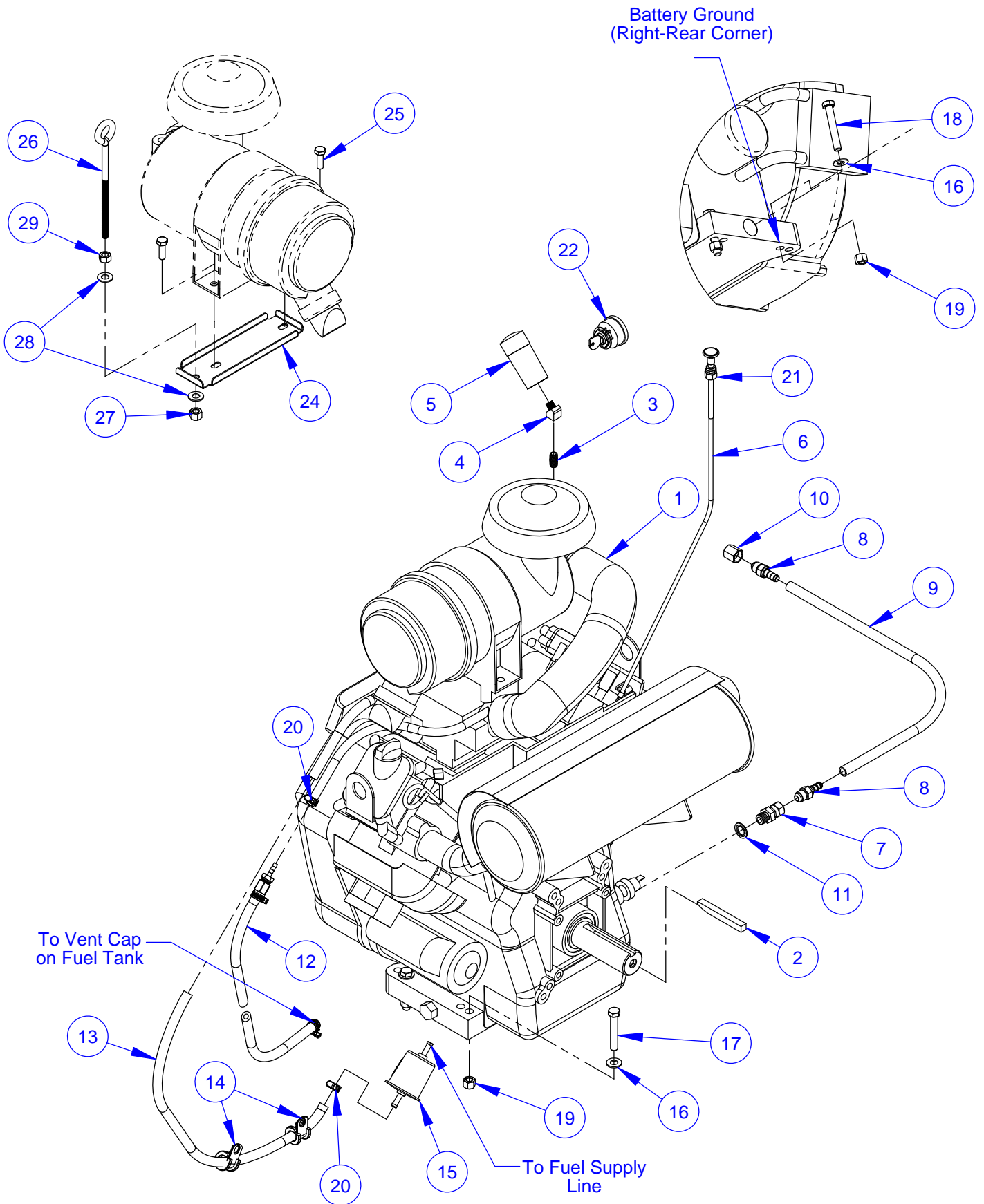
37HP Kohler Engine Assembly #6011714



37HP Kohler Engine Assembly #6011714

ITEM	PART NO.	QTY.	DESCRIPTION
1	2600606	1	Kohler Command 37HP Engine
2	2705825	1	Muffler, Kohler 37HP Engine
3	2705826	1	Heat Shield, Kohler 37HP Engine
4	2705828	1	Engine Wiring Harness
5	3200234	1	Fitting, 1/2" MPT to 3/8" Hose Barb
6	6011736	1	Oil Drain Hose, 3/8" I.D. x 22"
7	3200206	1	Pipe Plug, 1/4" NPT
8	3200031	1	Fitting, 1/4" F. Pipe to 3/8" Hose Barb
9	6011027	1	Key, 3/8" Sq. x 3-1/4" Bevel End
10	6012195	1	Hose Assy., 1/4" - 3/16" x 29"
	3200231	1	Fitting, 1/4 FPT to 1/4 Hose Barb
	3200210	1	Fitting, 1/4" M. Pipe to 3/16" Hose Barb
	3200062	3	Hose Clamp #4
11	2705827	1	Ignition Switch
12	2500186	1	Choke Cable
13	2706078	1	Oil Pressure Sender
14	2900060	3	Cap Screw, Hex Hd., 3/8-16 x 2"
15	2900079	1	Cap Screw, Hex Hd., 3/8-16 x 2-1/4"
16	2900014	4	Flat Washer, 3/8" SAE
17	2900018	4	Locknut, 3/8-16, Nylon

35HP Briggs/Vanguard Engine Assembly #6011732

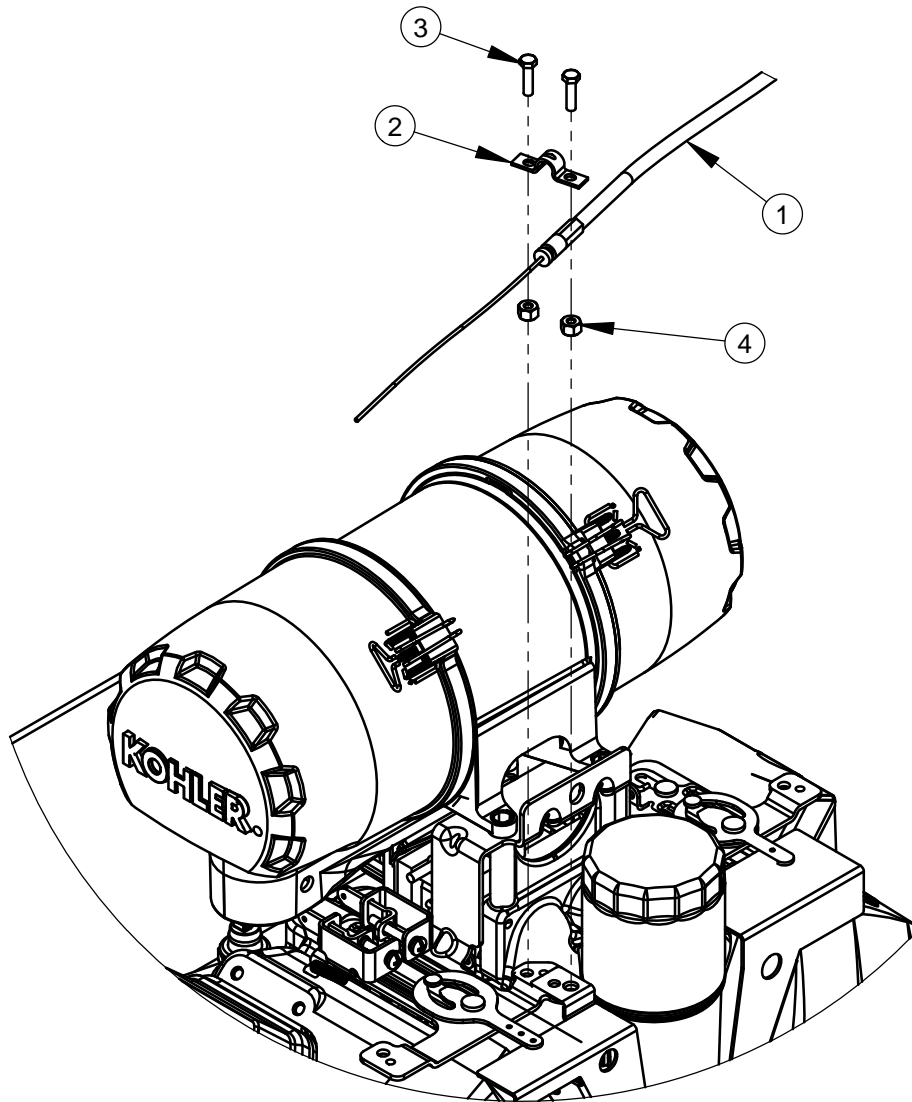


35HP Briggs/Vanguard Engine Assembly #6011732

ITEM	PART NO.	QTY.	DESCRIPTION
1	2600635	1	Briggs Vanguard Engine, 35 HP
2	6011027	1	Key, 3/8" Sq. x 3-1/4" Bevel End
3	3200117	1	Close Nipple, 1/8" NPT
4	3200099	1	Street Elbow, 1/8" NPT x 45 Deg.
5	2500423	1	Restriction Indicator
6	2503832	1	Choke Cable
7	3201890	1	Fitting, M14 x 1.5 O-Ring to 3/8" F. JIC Swivel
8	3201891	2	Fitting, 3/8" M. JIC to 3/8" Hose Barb
9	6011736	1	Oil Drain Hose, 3/8" I.D. x 22"
10	3201496	1	Cap, 3/8" JIC
11	2901319	1	Bonded Sealing Washer, M14
12	6012203	1	Hose Assy., 1/4 - 3/16 Barb, 61"
	3200231	1	Fitting, 1/4 FPT to 1/4 Hose Barb
	3200210	1	Fitting, 1/4" M. Pipe to 3/16" Hose Barb
	3200062	2	Hose Clamp #4
13	6011749	1	Hose, 1/4" I.D. x 33" Long
14	2501434	2	Hose Clamp, 5/8" x 3/4" Wide
15	2500201	1	Filter, Gasoline Fuel
16	2900014	4	Flat Washer, 3/8" SAE
17	2900079	3	Cap Screw, Hex Hd., 3/8-16 x 2-1/4"
18	2900596	1	Cap Screw, Hex Hd., 3/8-16 x 2-1/2"
19	2900018	4	Locknut, 3/8-16, Nylon
20	3200062	2	Hose Clamp #4
21	2900148	1	Hex Nut, 3/8-24
22	2702622	1	Ignition Switch w/ Key (Briggs-Vanguard)
23	6049053	1	Remote Wire Harness Extension (Not Shown)

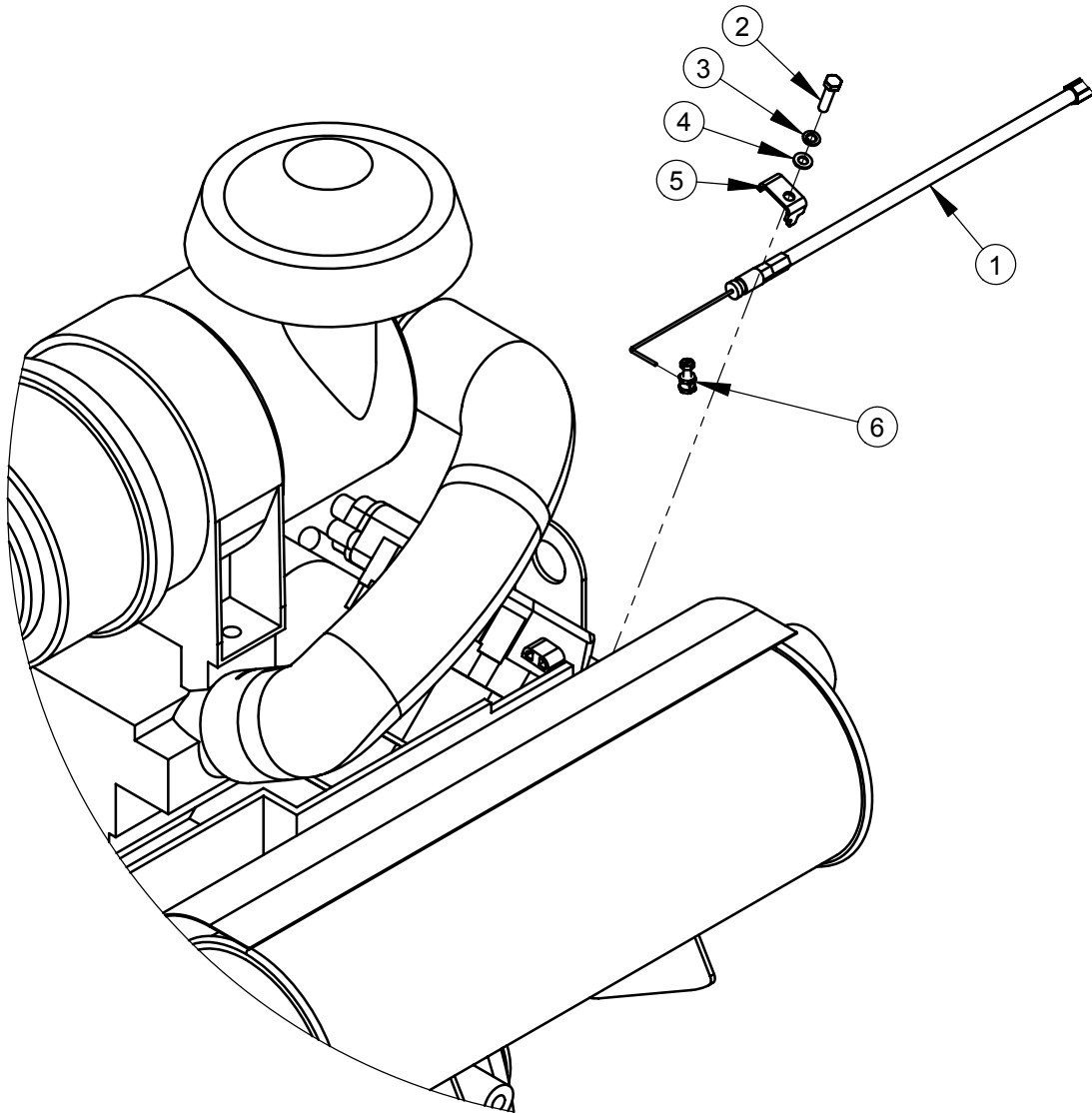
ITEM	PART NO.	QTY.	DESCRIPTION
24	6043610	1	Eyebolt Mount, 35 HP Briggs Vanguard
25	2900360	2	Cap Screw, Hex Hd., M8-1.25 x 25mm
26	2900602	1	Eye Bolt, 3/8-16 x 6"
27	2900018	1	Locknut, 3/8-16, Nylon
28	2900014	2	Flat Washer, 3/8" SAE
29	2900033	1	Hex Nut, 3/8-16

Throttle Assembly, 37HP Kohler
#6011739



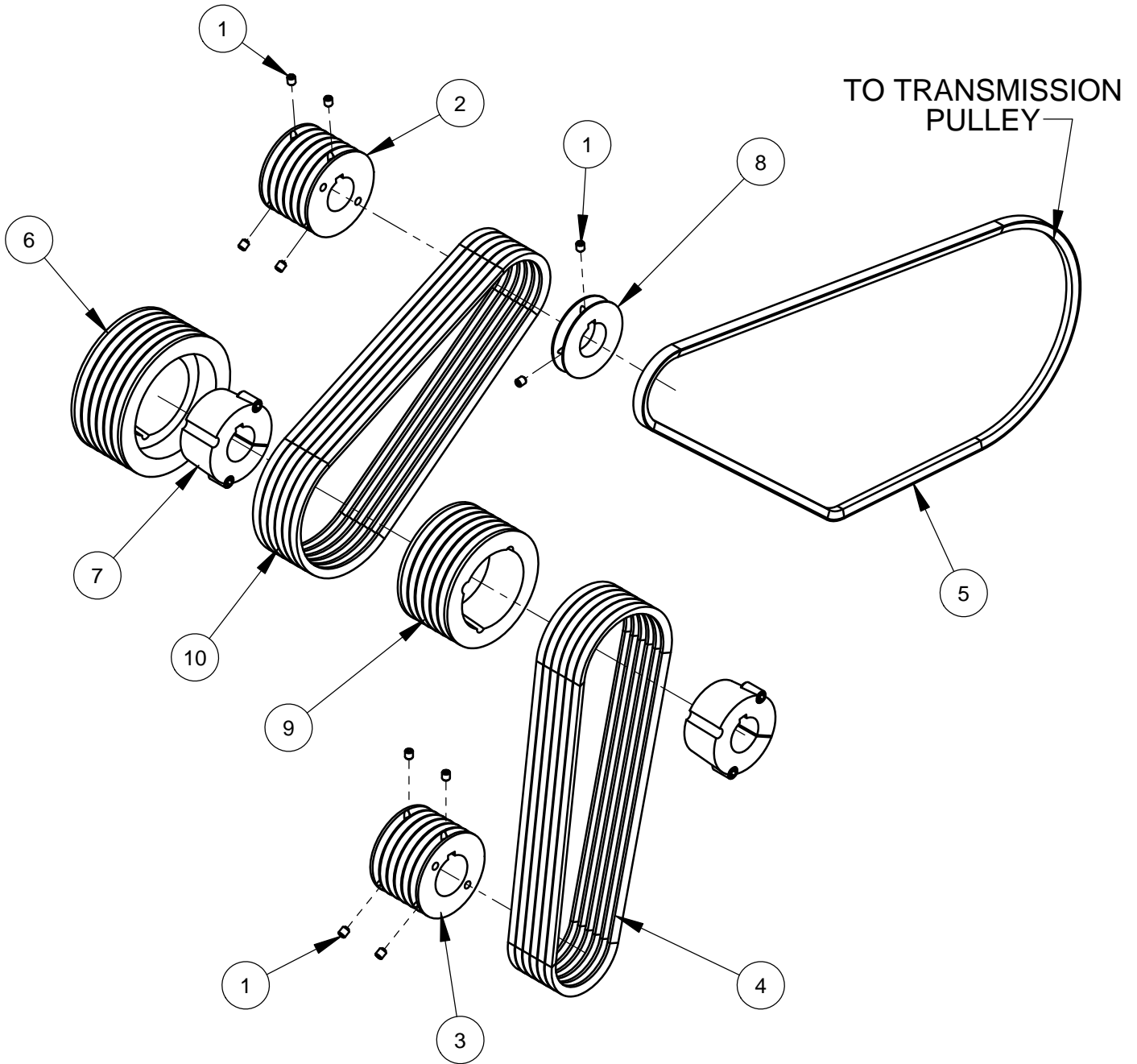
ITEM	PART NO.	QTY.	DESCRIPTION
1	2500376	1	Vernier Throttle Cable
2	2500940	1	Throttle Cable Clamp
3	2900015	2	Machine Screw, Hex Hd., #10-24 x 3/4"
4	2900017	2	Lock Nut, #10-24 Nylon

Throttle Assembly, 35HP Briggs-Vanguard
#6011738



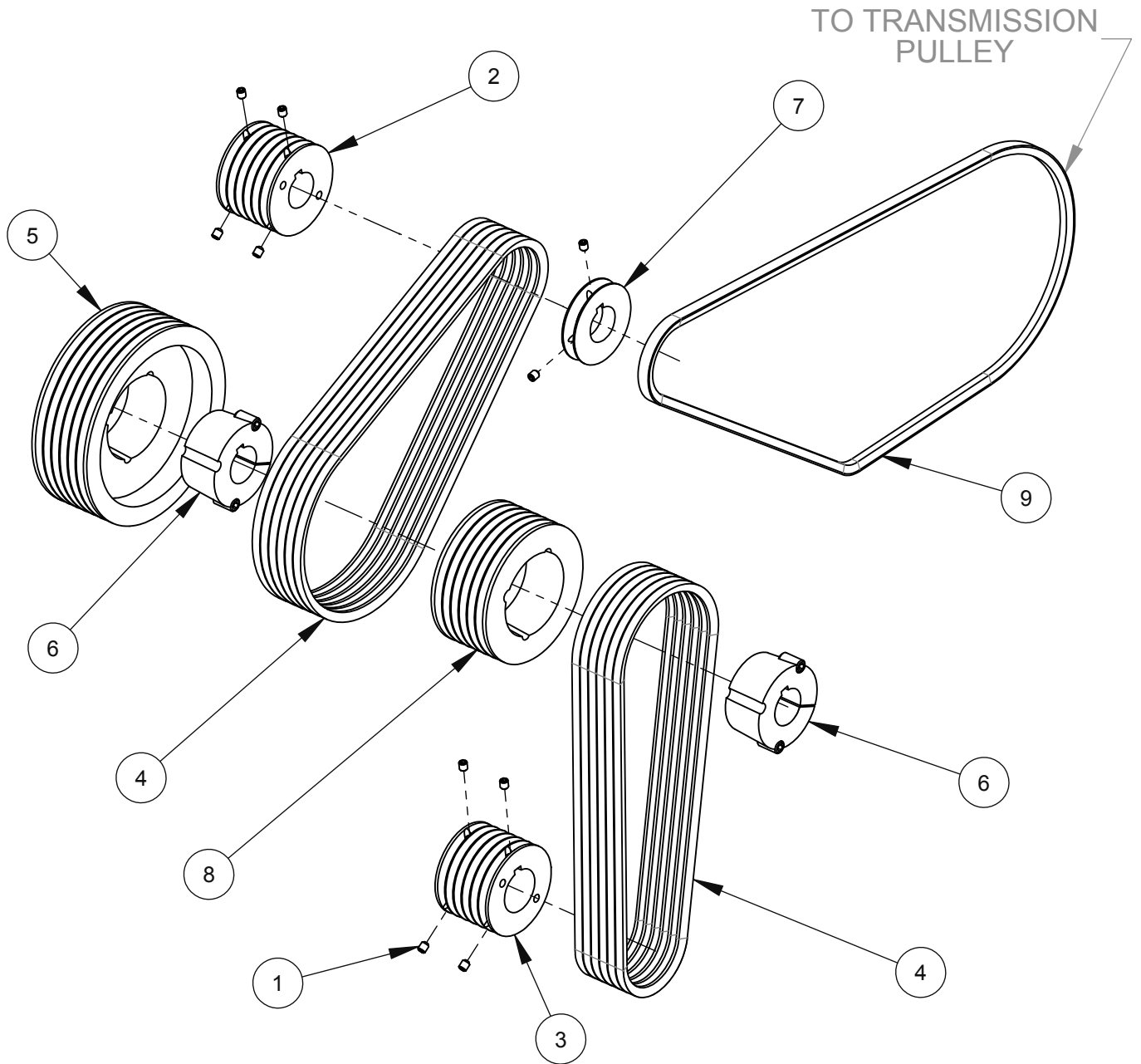
ITEM	PART NO.	QTY.	DESCRIPTION
1	2503833	1	Throttle Controller
2	2900309	1	Cap Screw, Hex Hd., M5 x 20mm
3	2900767	1	Lock Washer, M5 Split
4	2900926	1	Washer, M5
5	6011340	1	Cable Clamp, Throttle
6	2501189	1	Wire Stop w/ #8-32 x 3/8" Hex Hd., Cap Screw

6011721 14" Belt Drive Assembly



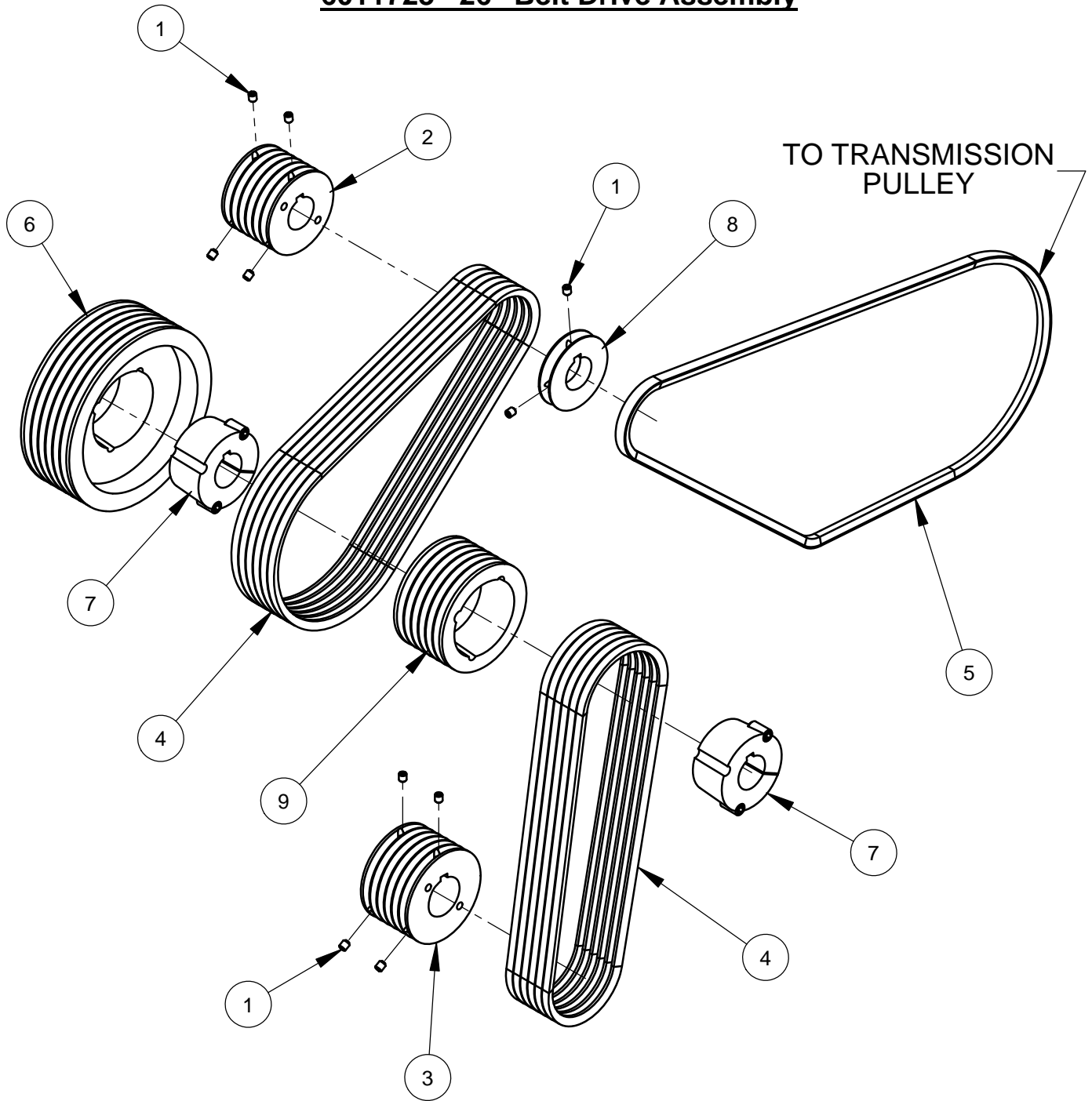
ITEM	PART NO.	QTY.	DESCRIPTION
1	2900142	10	Set Screw, Soc. Hd., 5/16-18 x 3/8"
2	6011008	1	Sheave, 3.65" x 6 Groove x 1-7/16" Bore
3	6011009	1	Sheave, 3.65" x 6 Groove x 1-3/4" Bore
4	2500792	6	V-Belt, 3VX400
5	2501872	1	V-Belt, 4L600W
6	2506462	1	Sheave, 3V x 6.0" x 6 Groove Taper Style
7	2506455	2	Taper Bushing, 1-1/2" w/Setscrews
8	6011458	1	Pulley, Accessory Drive
9	2506452	1	Sheave, 3V x 5.0" x 6 Groove Taper Style
10	2503875	6	V-Belt, 3VX366

6011722 20" Belt Drive Assembly



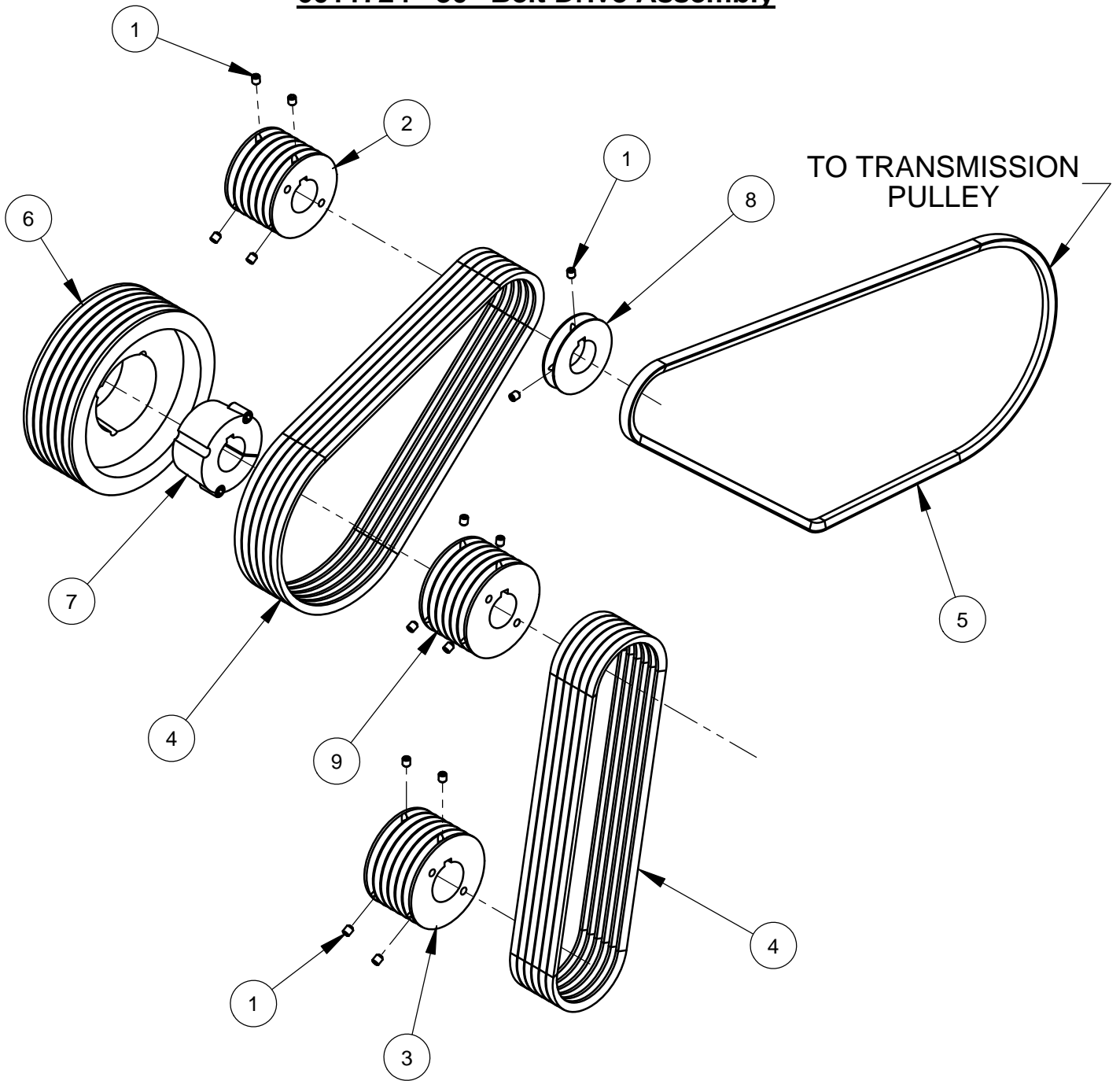
ITEM	PART NO.	QTY.	DESCRIPTION
1	2900142	10	Set Screw, Soc. Hd., 5/16-18 x 3/8"
2	6011008	1	Sheave, 3.65" x 6 Groove x 1-7/16" Bore
3	6011009	1	Sheave, 3.65" x 6 Groove x 1-3/4" Bore
4	2500792	12	V-Belt, 3VX400
5	2506454	1	Sheave, 3V x 8.0" x 6 Groove Taper Style
6	2506455	2	Taper Bushing, 1-1/2" w/Setscrews
7	6011458	1	Pulley, Accessory Drive
8	2503926	1	Sheave, 3V x 5.6" x 6 Groove Taper Style
9	2501872	1	V-Belt, 4L600W

6011723 26" Belt Drive Assembly



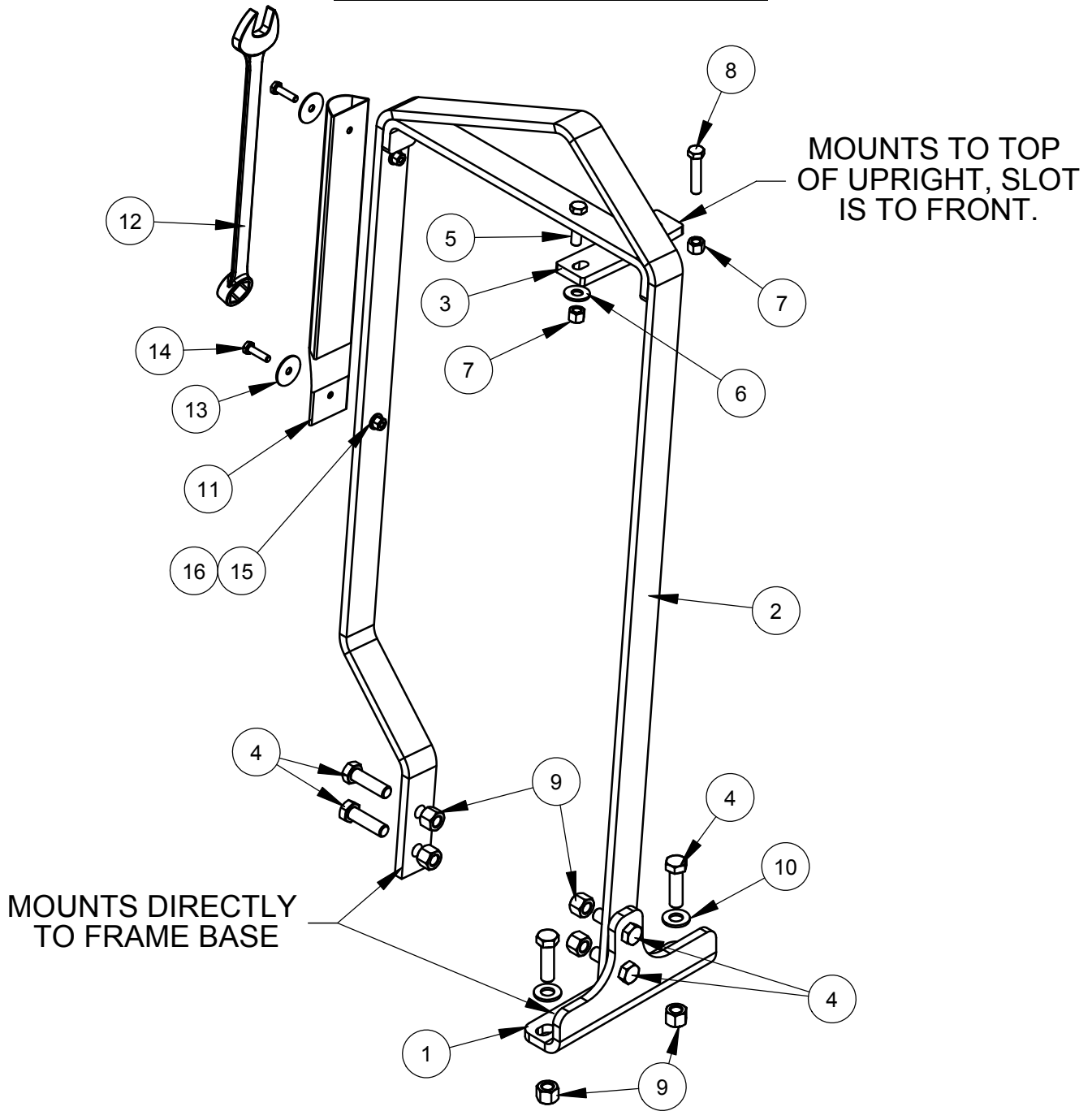
ITEM	PART NO.	QTY.	DESCRIPTION
1	2900142	10	Set Screw, Soc. Hd., 5/16-18 x 3/8"
2	6011008	1	Sheave, 3.65" x 6 Groove x 1-7/16" Bore
3	6011010	1	Sheave, 4.12" x 6 Groove x 1-3/4" Bore
4	2500792	12	V-Belt, 3VX400
5	2501872	1	V-Belt, 4L600W
6	2506454	1	Sheave, 3V x 8.0" x 6 Groove Taper Style
7	2506455	2	Taper Bushing, 1-1/2" w/Setscrews
8	6011458	1	Pulley, Accessory Drive
9	2500367	1	Sheave, 4.75 x 6 Groove Taper Style

6011724 30" Belt Drive Assembly



ITEM	PART NO.	QTY.	DESCRIPTION
1	2900142	14	Set Screw, Soc. Hd., 5/16-18 x 3/8"
2	6011008	1	Sheave, 3.65" x 6 Groove x 1-7/16" Bore
3	6011010	1	Sheave, 4.12" x 6 Groove x 1-3/4" Bore
4	2500792	12	V-Belt, 3VX400
5	2501872	1	V-Belt, 4L600W
6	2506454	1	Sheave, 3V x 8.0" x 6 Groove Taper Style
7	2506455	1	Taper Bushing, 1-1/2" w/Setscrews
8	6011458	1	Pulley, Accessory Drive
9	6012190	1	Sheave, 4.12" x 6 Groove x 1-1/2" Bore

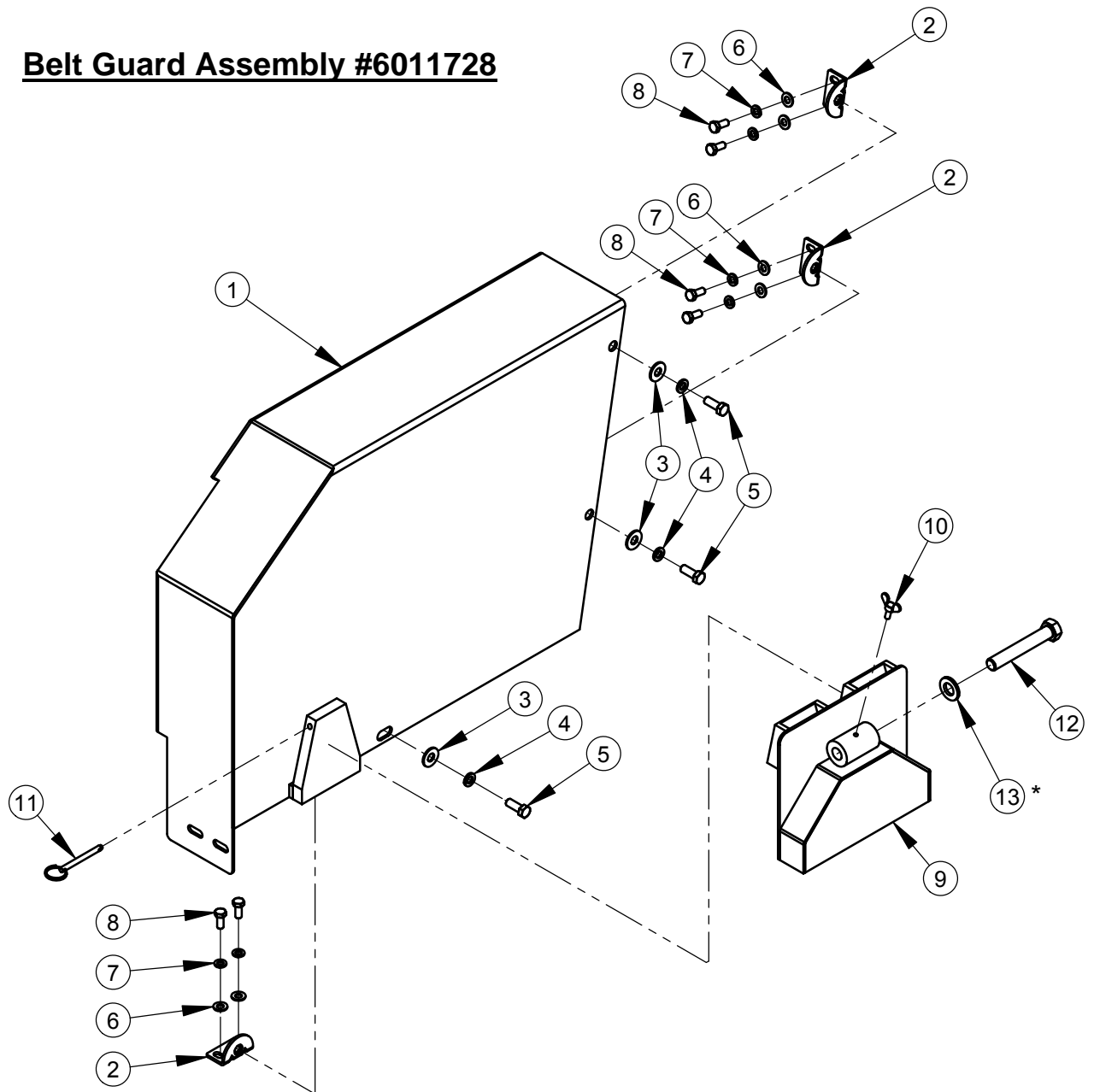
Frame Lift Assembly 6011752



ITEM	PART NO.	QTY.	DESCRIPTION
1	6011726	1	Frame Lift Mount
2	6011729	1	Frame Lift, CC3500J
3	6011730	1	Frame Lift Brace
4	2900139	6	Cap Screw, Hex Hd., 1/2-13 x 1-3/4"
5	2900029	1	Cap Screw, Hex Hd., 3/8-16 x 1-1/2"
6	2900473	1	Flat Washer, 3/8" USS
7	2900018	2	Locknut, 3/8-16, Nylon
8	2900047	1	Cap Screw, Hex Hd., 3/8-16 x 1-3/4"

ITEM	PART NO.	QTY.	DESCRIPTION
9	2900026	6	Lock Nut, 1/2-13 Nylon
10	2900058	2	Flat Washer, 1/2" SAE
11	6017268	1	Wrench Sock
12	2503704	1	Wrench, 15/16" Combination
13	2900083	2	Fender Washer, 1/4" x 1-1/4"
14	2900008	2	Cap Screw, Hex Hd., 1/4-20 x 1"
15	2900009	2	Flat Washer, 1/4" SAE
16	2900010	2	Lock Nut, 1/4-20 Nylon

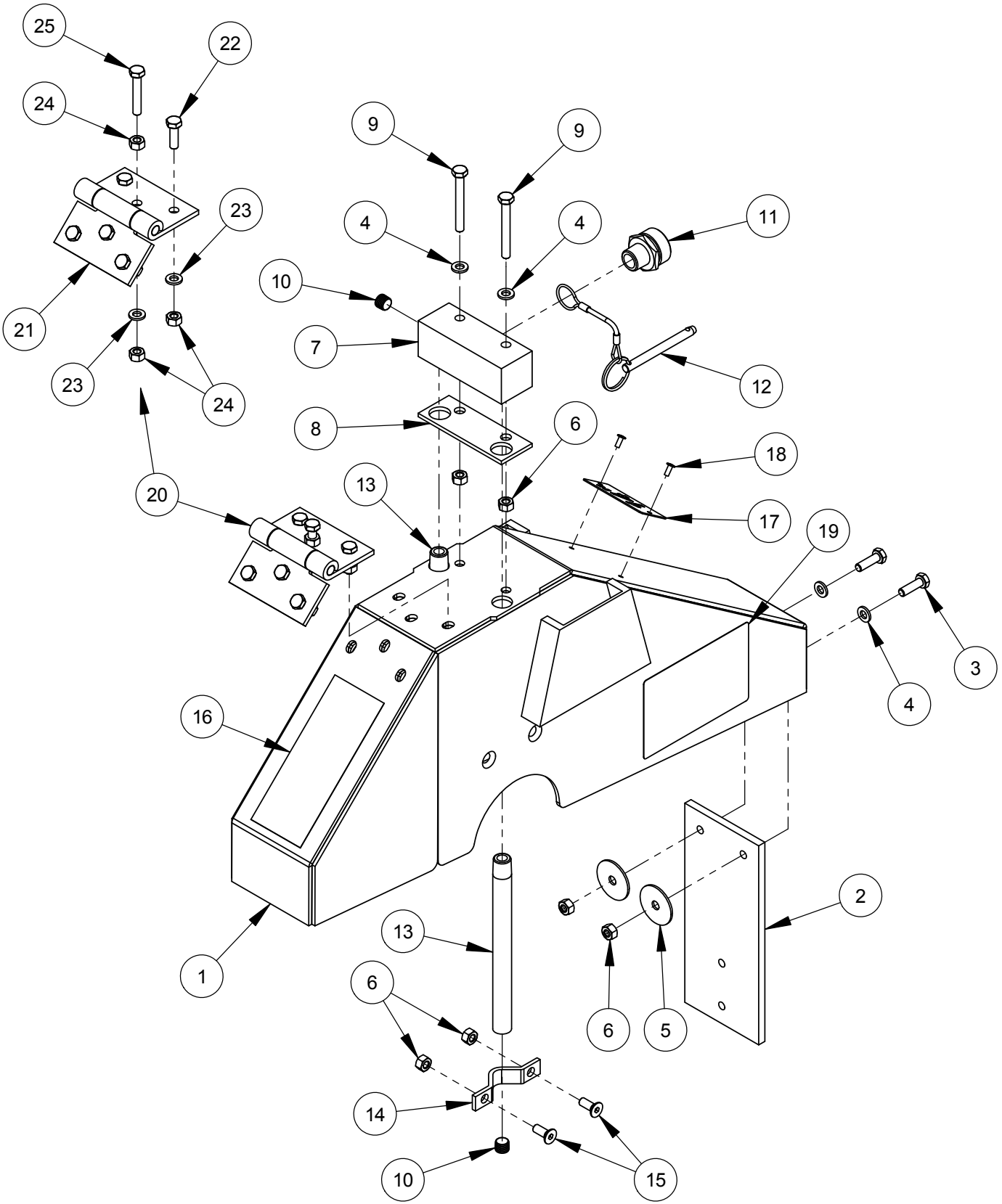
Belt Guard Assembly #6011728



ITEM	PART NO.	QTY.	DESCRIPTION
1	6011709	1	Guard, Engine Belt
2	6010558	3	Guard Mounting Tab, 3/8-16
3	2900473	3	Flat Washer, 3/8" USS
4	2900006	3	Lock Washer, 3/8" Split
5	2900005	3	Cap Screw, Hex Hd., 3/8-16 x 1"
6	2900022	6	Flat Washer, 5/16" SAE
7	2900031	6	Lock Washer, 5/16" Split
8	2900019	6	Cap Screw, Hex Hd., 5/16-18 x 3/4"
9	6010555	1	Shaft/Flange Guard (Narrow)
10	2900307	1	Wing Screw, M6 x 16mm
11	2900156	1	Lock Pin with Ring
12	2900146	1	Cap Screw, Hex Hd., 5/8-11 x 4"
13	2900412	1	Lock Washer, Wedge 5/8"

* See Note on Blade Shaft Assembly # 6011735 Page

14" Blade Guard Assembly #6010950

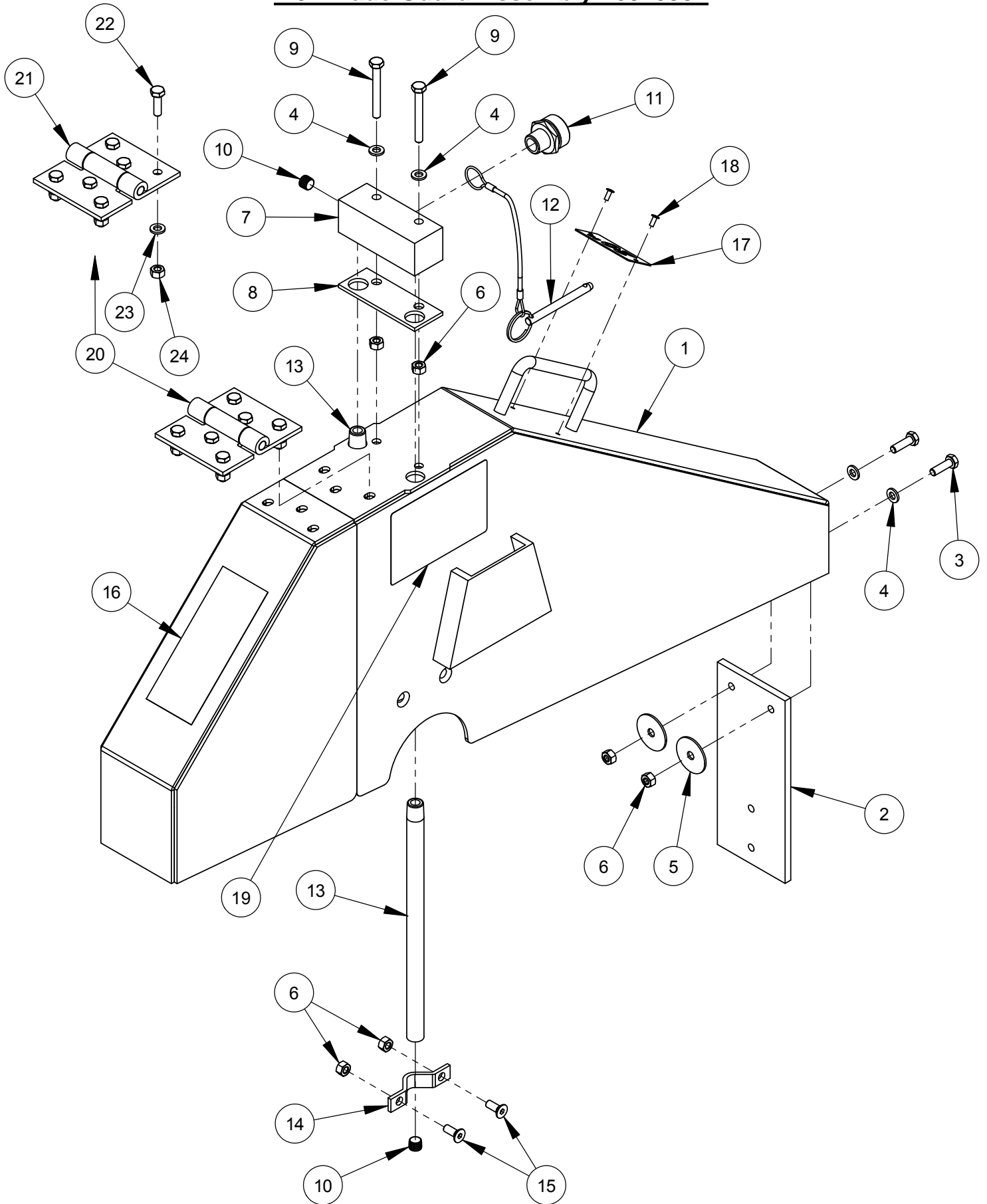


14" Blade Guard Assembly #6010950

ITEM	PART NO.	QTY.	DESCRIPTION
1	6010601	1	14" Blade Guard Front & Rear Only
2	6010081	1	Splash Flap
3	2900310	2	Cap Screw, Hex Hd., M6-1.0 x 20mm
4	2901494	4	Flat Washer, M6
5	2900083	2	Fender Washer, 1/4" x 1-1/4"
6	2900302	8	Lock Nut, M6-1.0 Nylon Insert
7	6010261	1	Water Manifold
8	2500830	1	Water Manifold Gasket
9	2901355	2	Cap Screw, Hex Hd., M6-1.0 x 50mm
10	3200001	3	Plug, 1/8" NPT
11	3200002	1	Fitting, 3/8" M. Pipe to 3/4" M. Garden
12	2900278	1	Lanyard with Lock Pin
13	6048283	2	Water Tube for 14" Guard
14	6048155	2	Water Tube Clamp
15	2900308	4	Cap Screw, Flat Hd., M6-1.0 x 16mm
16	1800001	1	Warning Label
17	1801369A	1	Blade Guard Size Tag
18	2900287	2	Rivet, 1/8" Dia.
19	1802090	2	Label, Wedge Locking Washer
20	6048026	1	Hinge Assembly

ITEM	PART NO.	QTY.	DESCRIPTION
21	2500270	1	Blade Guard Hinge
22	2900310	5	Cap Screw, Hex Hd., M6-1.0 x 20mm
23	2901494	6	Flat Washer, M6
24	2900302	7	Lock Nut, M6-1.0 Nylon Insert
25	2900312	1	Cap Screw, Hex Hd., M6-1.0 x 35mm

20" Blade Guard Assembly #6010952

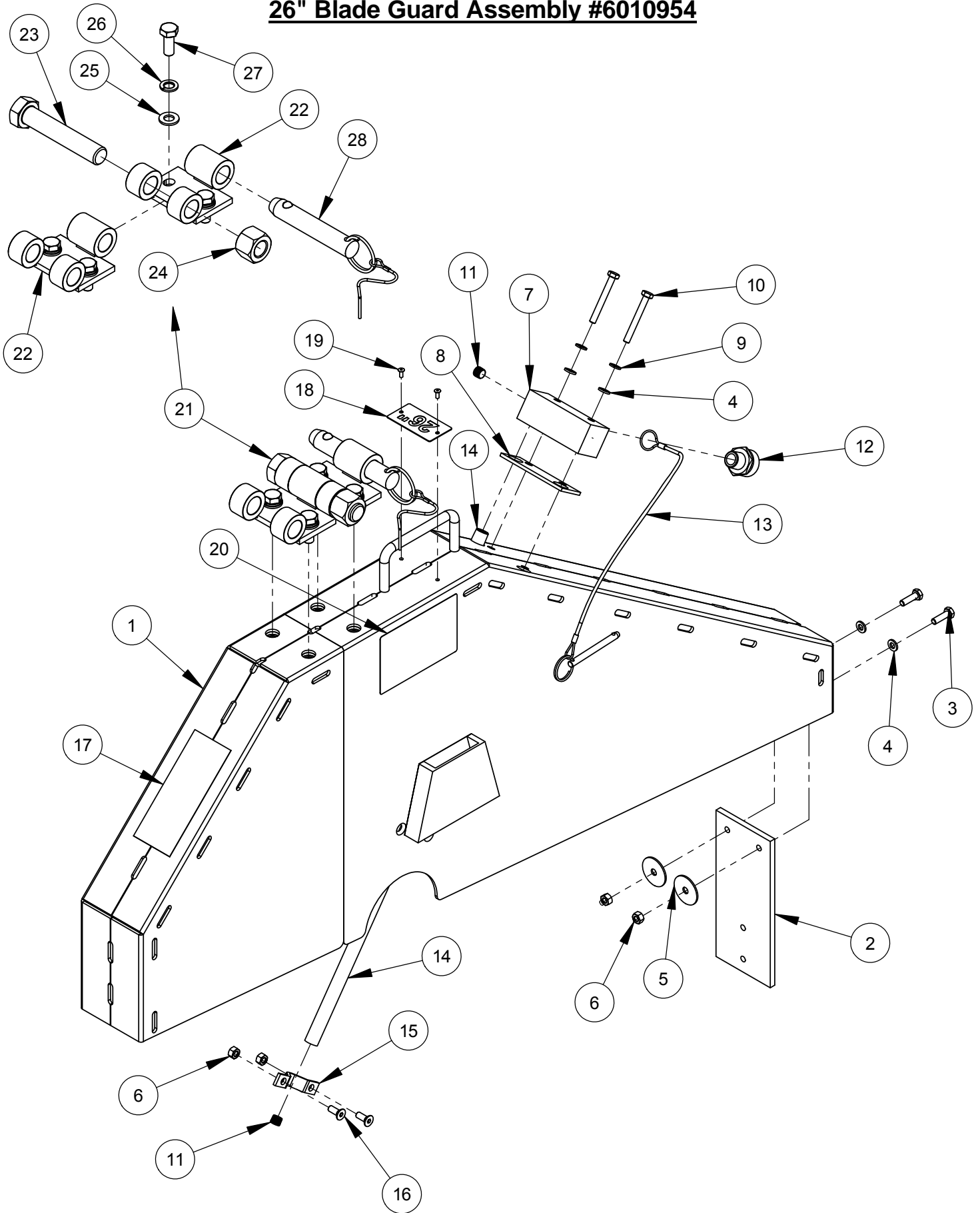


20" Blade Guard Assembly #6010952

ITEM	PART NO.	QTY.	DESCRIPTION
1	6010603	1	20" Blade Guard Front & Rear Only
2	6010081	1	Splash Flap
3	2900310	2	Cap Screw, Hex Hd., M6-1.0 x 20mm
4	2901494	4	Flat Washer, M6
5	2900083	2	Fender Washer, 1/4" x 1-1/4"
6	2900302	8	Lock Nut, M6-1.0 Nylon Insert
7	6010261	1	Water Manifold
8	2500830	1	Water Manifold Gasket
9	2901355	2	Cap Screw, Hex Hd., M6-1.0 x 50mm
10	3200001	3	Plug, 1/8" NPT
11	3200002	1	Fitting, 3/8" M. Pipe to 3/4" M. Garden
12	2900278	1	Lanyard with Lock Pin
13	6010085	2	Water Tube for 20" Guard
14	6048155	2	Water Tube Clamp
15	2900308	4	Cap Screw, Flat Hd., M6-1.0 x 16mm
16	1800001	1	Warning Label
17	1801369D	1	Blade Guard Size Tag
18	2900287	2	Rivet, 1/8" Dia.
19	1802090	2	Label, Wedge Locking Washer
20	6048027	1	Hinge Assembly

ITEM	PART NO.	QTY.	DESCRIPTION
21	2500270	1	Blade Guard Hinge
22	2900310	6	Cap Screw, Hex Hd., M6-1.0 x 20mm
23	2901494	6	Flat Washer, M6
24	2900302	6	Lock Nut, M6-1.0 Nylon Insert

26" Blade Guard Assembly #6010954

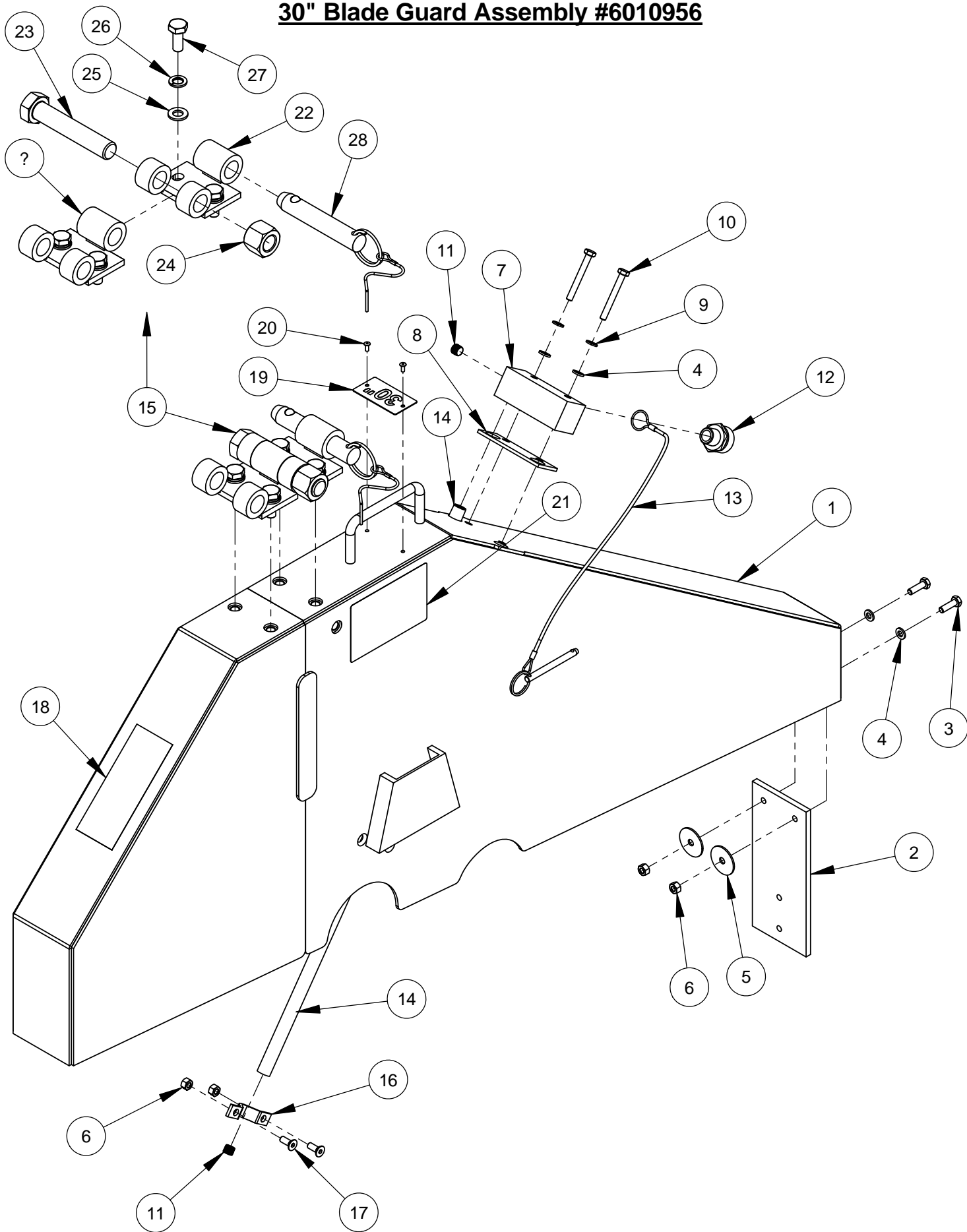


26" Blade Guard Assembly #6010954

ITEM	PART NO.	QTY.	DESCRIPTION
1	6010955	1	26" Blade Guard Front & Rear Only
2	6010081	1	Splash Flap
3	2900310	2	Cap Screw, Hex Hd., M6-1.0 x 20mm
4	2901494	4	Flat Washer, M6
5	2900083	2	Fender Washer, 1/4" x 1-1/4"
6	2900302	6	Lock Nut, M6-1.0 Nylon Insert
7	6010261	1	Water Manifold
8	2500830	1	Water Manifold Gasket
9	2900765	2	Lock Washer, M6 Split
10	2901355	2	Cap Screw, Hex Hd., M6-1.0 x 50mm
11	3200001	3	Plug, 1/8" NPT
12	3200002	1	Fitting, 3/8" M. Pipe to 3/4" M. Garden
13	2900279	1	Lanyard with Lock Pin
14	6010086	2	Water Tube for 26" Guard
15	6048155	2	Water Tube Clamp
16	2900308	4	Cap Screw, Flat Hd., M6-1.0 x 16mm
17	1800001	1	Warning Label
18	1801369F	1	Blade Guard Size Tag
19	2900287	2	Rivet, 1/8" Dia.
20	1802090	2	Label, Wedge Locking Washer
21	6010873	1	Universal Hinge Assembly

ITEM	PART NO.	QTY	DESCRIPTION
22	6010871	2	Hinge Weldment, Universal
23	2900479	1	Cap Screw, Hex Hd., 3/4-10 x 4"
24	2900467	1	Lock Nut, 3/4-10 Nylon
25	2901356	4	Flat Washer, M10
26	2900321	4	Lock Washer, M10 Split
27	2900333	4	Cap Screw, Hex Hd., M10-1.5 x 25mm
28	2503824	1	Detent Pin, 3/4" x 3" Grip

30" Blade Guard Assembly #6010956

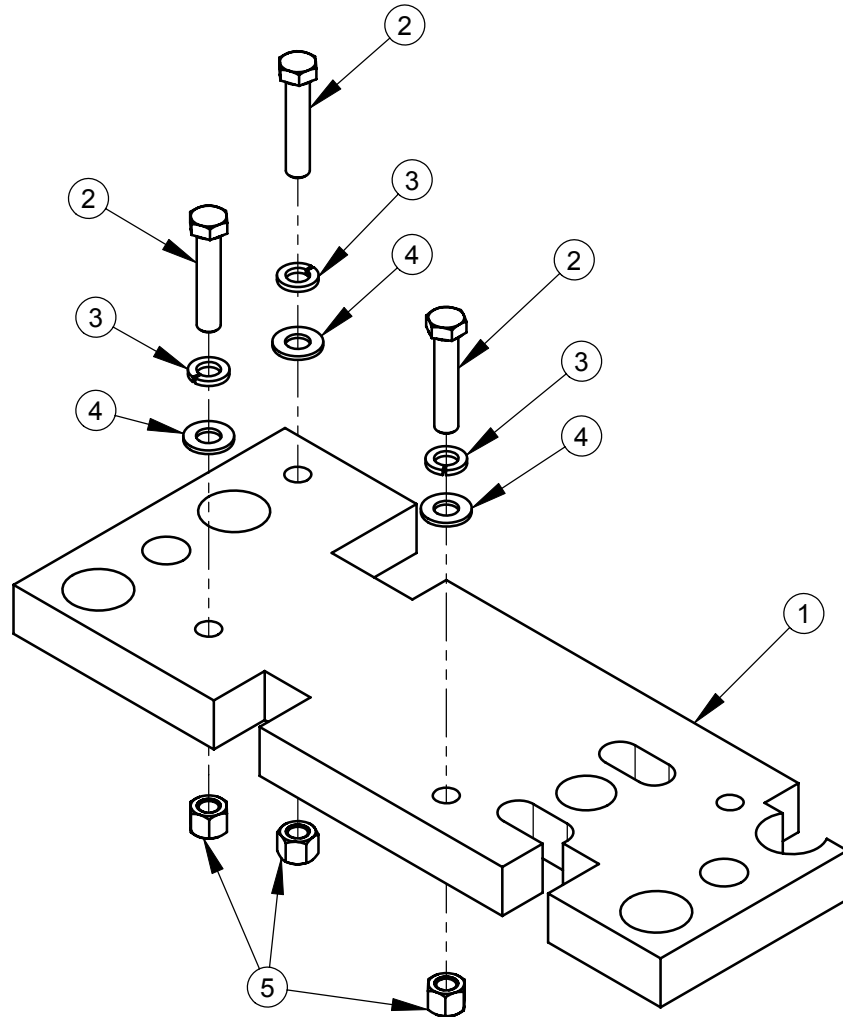


30" Blade Guard Assembly #6010956

ITEM	PART NO.	QTY.	DESCRIPTION
1	6010957	1	30" Blade Guard Front & Rear Only
2	6010081	1	Splash Flap
3	2900310	2	Cap Screw, Hex Hd., M6-1.0 x 20mm
4	2901494	4	Flat Washer, M6
5	2900083	2	Fender Washer, 1/4" x 1-1/4"
6	2900302	6	Lock Nut, M6-1.0 Nylon Insert
7	6010261	1	Water Manifold
8	2500830	1	Water Manifold Gasket
9	2900765	2	Lock Washer, M6 Split
10	2901355	2	Cap Screw, Hex Hd., M6-1.0 x 50mm
11	3200001	3	Plug, 1/8" NPT
12	3200002	1	Fitting, 3/8" M. Pipe to 3/4" M. Garden
13	2900279	1	Lanyard with Lock Pin
14	6010087	2	Water Tube for 30" Guard
15	6010873	1	Universal Hinge Assembly
16	6048155	2	Water Tube Clamp
17	2900308	4	Cap Screw, Flat Hd., M6-1.0 x 16mm
18	1800001	1	Warning Label
19	1801369G	1	Blade Guard Size Tag
20	2900287	2	Rivet, 1/8" Dia.
21	1802090	2	Label, Wedge Locking Washer

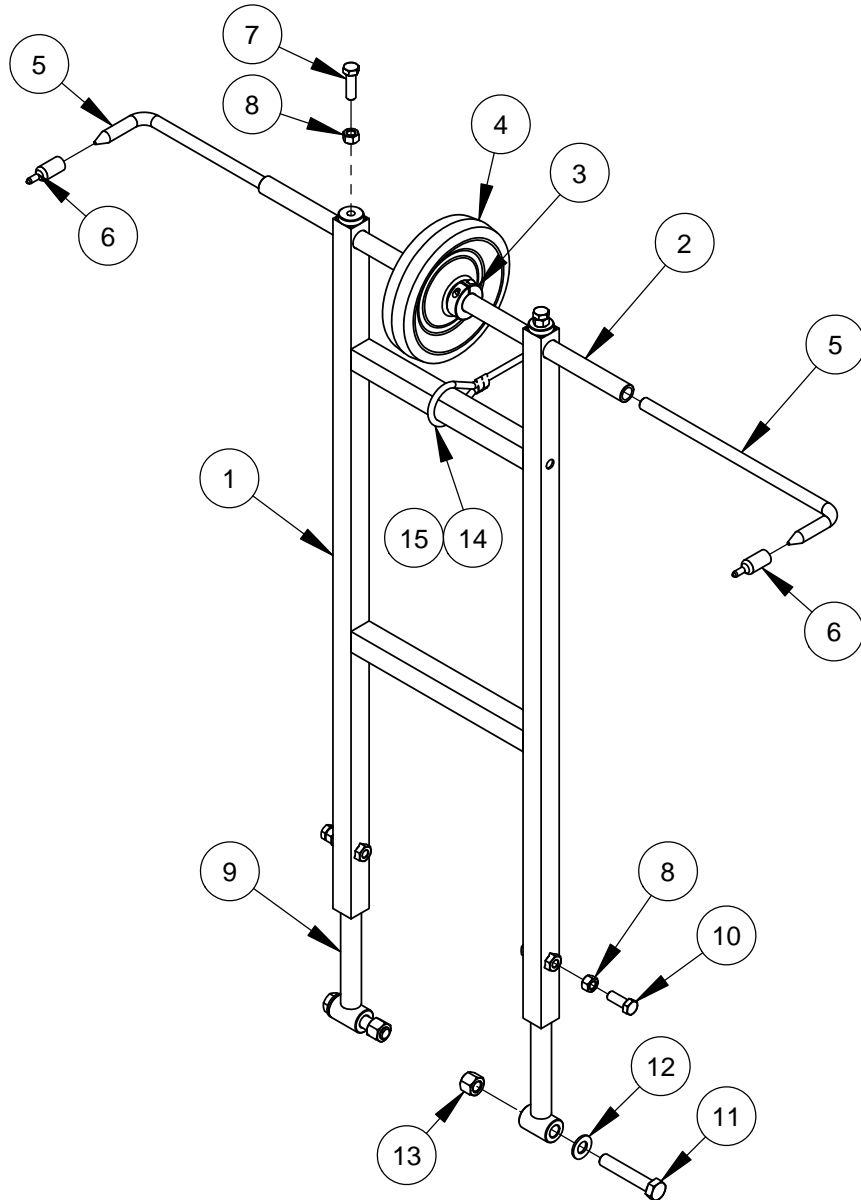
ITEM	PART NO.	QTY	DESCRIPTION
22	6010871	2	Hinge Weldment, Universal
23	2900479	1	Cap Screw, Hex Hd., 3/4-10 x 4"
24	2900467	1	Lock Nut, 3/4-10 Nylon
25	2901356	4	Flat Washer, M10
26	2900321	4	Lock Washer, M10 Split
27	2900333	4	Cap Screw, Hex Hd., M10-1.5 x 25mm
28	2503824	1	Detent Pin with Lanyard

Blade Shaft Weight Assembly #6011720



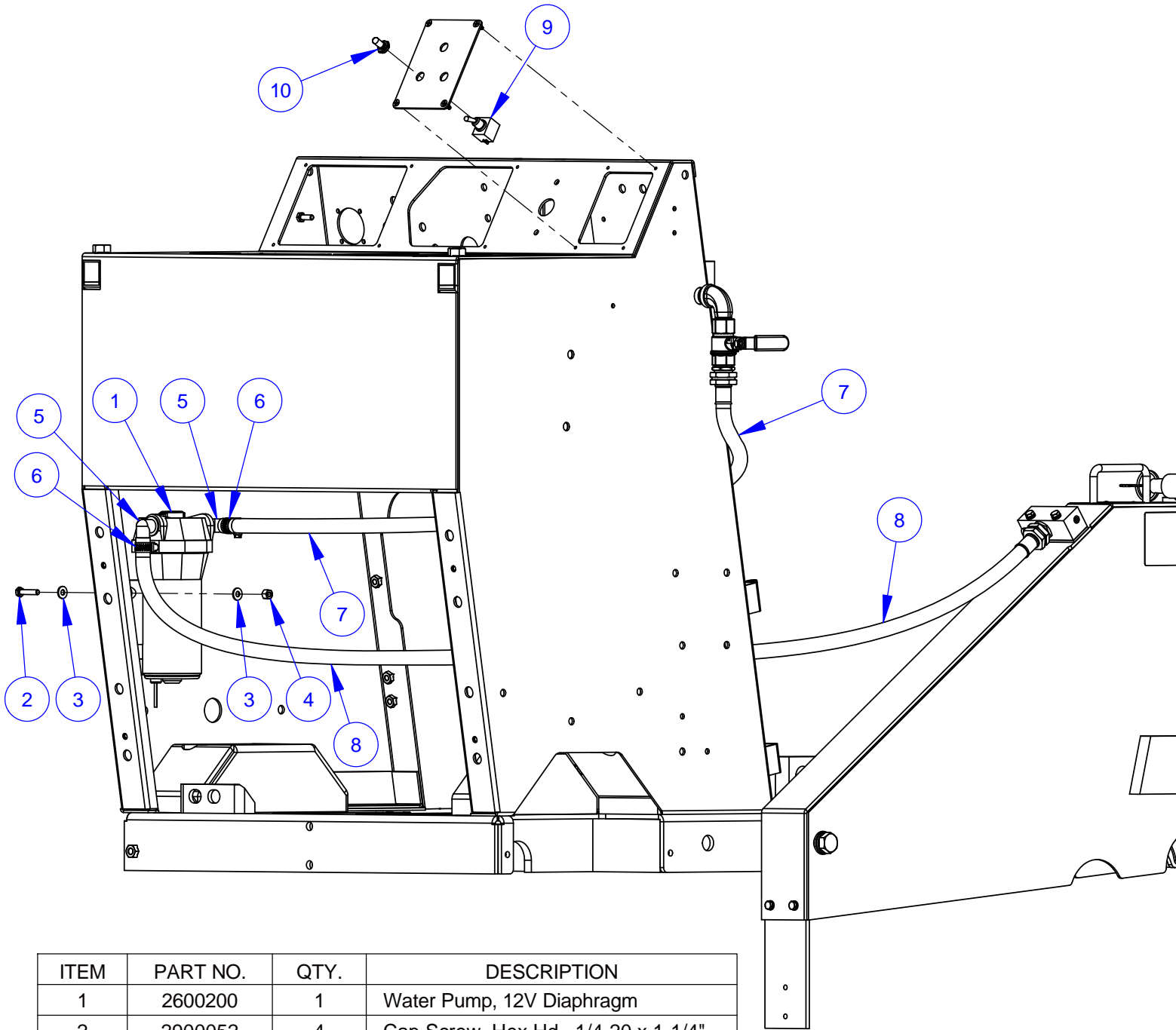
ITEM	PART NO.	QTY.	DESCRIPTION
1	6011716	1	Blade Shaft Weight
2	2900811	3	Cap Screw, Hex Hd., 1/2-13 x 2-1/2"
3	2900084	3	Lock Washer, 1/2" Split
4	2900058	3	Flat Washer, 1/2" SAE
5	2900026	3	Lock Nut, 1/2-13 Nylon

Dual Front Pointer Assembly #6011540



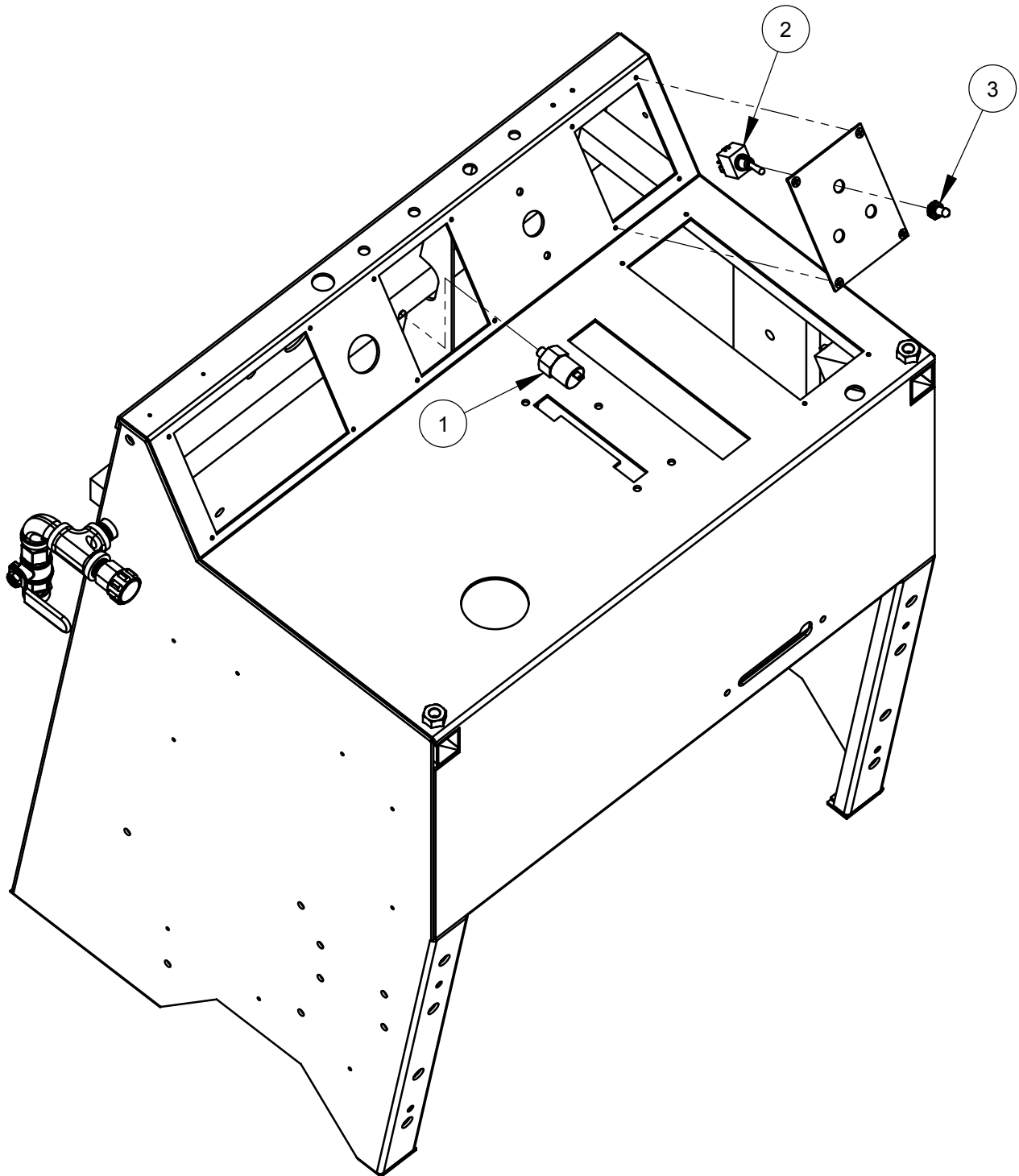
ITEM	PART NO.	QTY.	DESCRIPTION
1	6011537	1	Front Pointer Frame
2	6011539	1	Pointer Tube, 20"
3	2504577	2	Shaft Collar, 3/4" Split
4	2504581	1	Wheel, 6"
5	6011535	2	Front Pointer Rod, 11"
6	2500740	2	Pointer Cap
7	2900013	2	Cap Screw, Hex Hd., 3/8-16 x 1-1/4"
8	2900033	4	Hex Nut, 3/8-16
9	6011152	2	Front Pointer Arm
10	2900005	2	Cap Screw, Hex Hd., 3/8-16 x 1"
11	2900105	2	Cap Screw, Hex Hd., 1/2-13 x 2-3/4"
12	2900239	2	Friction Washer, 1/2"
13	2900026	2	Lock Nut, 1/2-13 Nylon
14	6017241	1	Pointer Rope 11 Foot
15	3200221	2	Pinch Clamp, Two Ear

Optional Water Pump Assembly #6011032



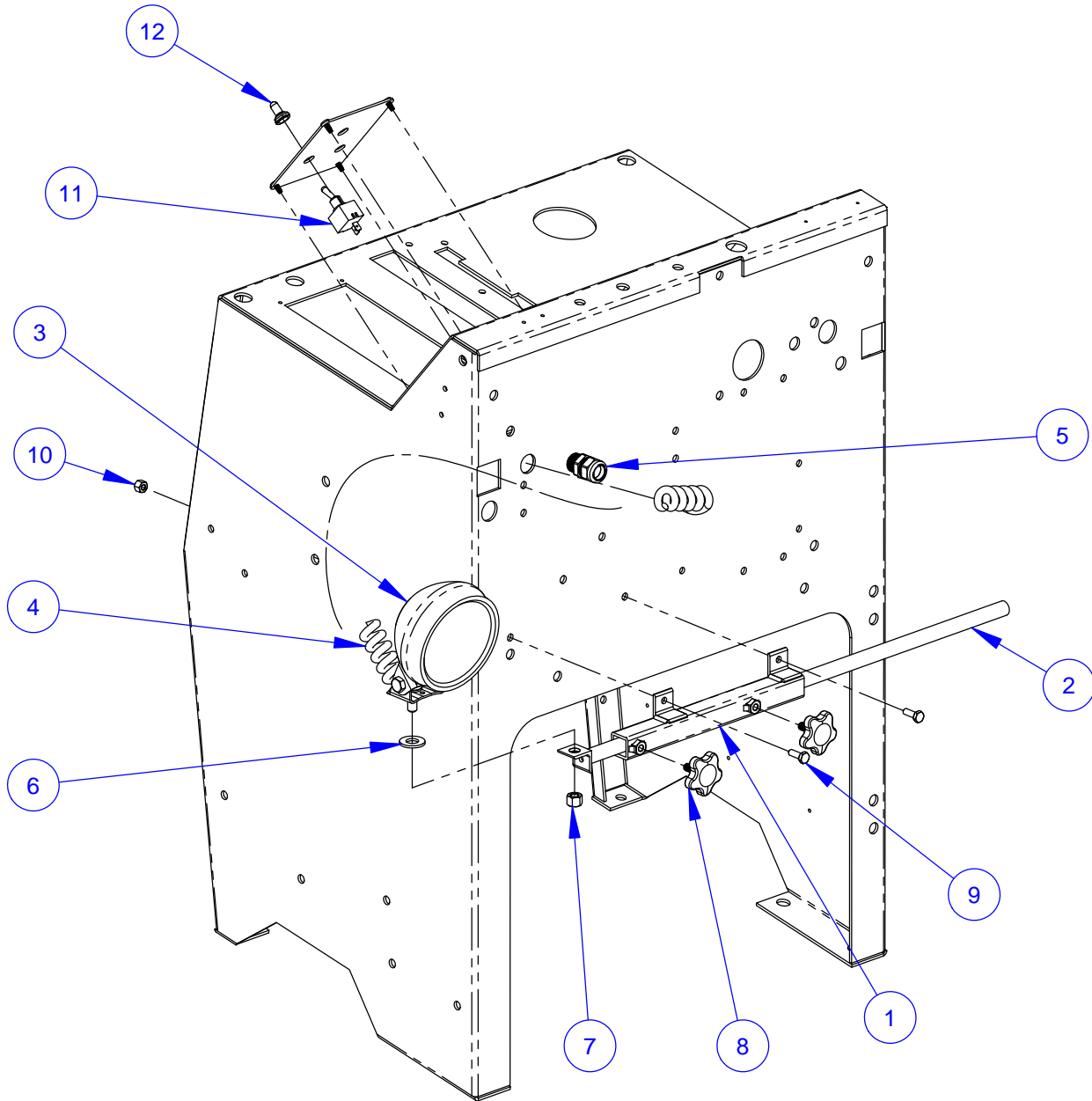
ITEM	PART NO.	QTY.	DESCRIPTION
1	2600200	1	Water Pump, 12V Diaphragm
2	2900052	4	Cap Screw, Hex Hd., 1/4-20 x 1-1/4"
3	2900009	8	Flat Washer, 1/4" SAE
4	2900010	4	Lock Nut, 1/4-20 Nylon
5	2701694	2	Port Fitting, 1/2" Barb x 90 Degree
6	3200016	2	Hose Clamp #8
7	6010302	1	Water Hose Assembly 48"
8	6010303	1	Water Hose Assembly 60"
9	2800062	1	Toggle Switch On/Off
10	2800063	1	Toggle Switch Boot

Optional Water Safety Switch Assembly #6047932



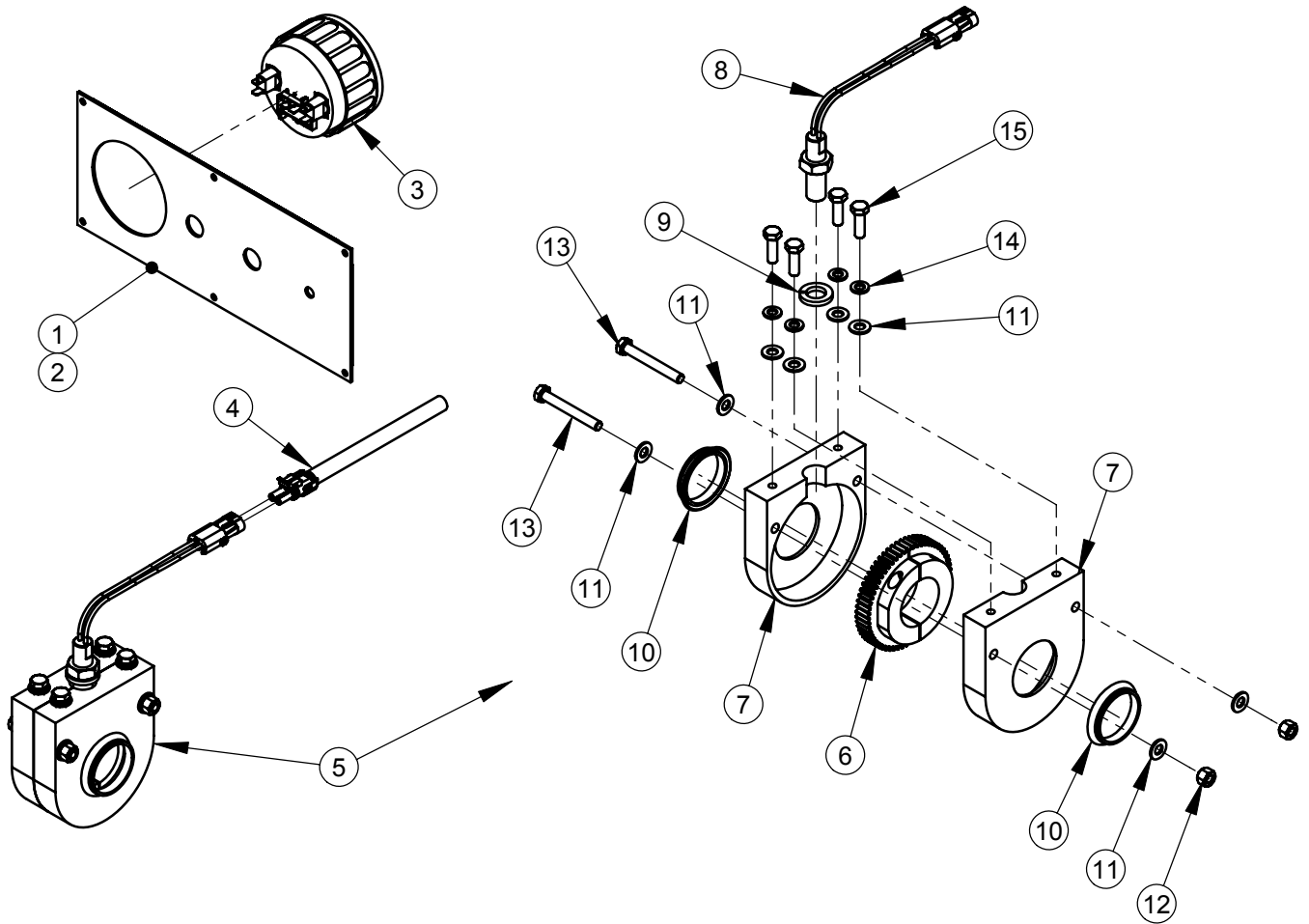
ITEM	PART NO.	QTY	DESCRIPTION
1	2800060	1	Water Pressure Safety Switch
2	2800062	1	Toggle Switch On/Off
3	2800063	1	Switch Boot

CC3500J Optional Spot Light Assembly #6011487



ITEM	PART NO.	QTY.	DESCRIPTION
1	6011486	1	Light Bar Mount Bracket CC3500J
2	6010106	1	Light Bar
3	2500194	1	Spot Light, 12 Volt
4	6017086	1	Coiled Light Cord (1 Foot)
5	2800623	1	Cord Grip, 1/2" NPT Nylon
6	2900058	1	Flat Washer, 1/2" SAE
7	2900018	1	Locknut, 3/8-16, Nylon
8	2504922	2	Hand Lock Knob, 5/16-18 x 3/4"
9	2900144	2	Cap Screw, Hex Hd., 1/4-20 x 3/4"
10	2900010	2	Lock Nut, 1/4-20 Nylon
11	2800062	1	Toggle Switch On/Off
12	2800063	1	Toggle Switch Boot

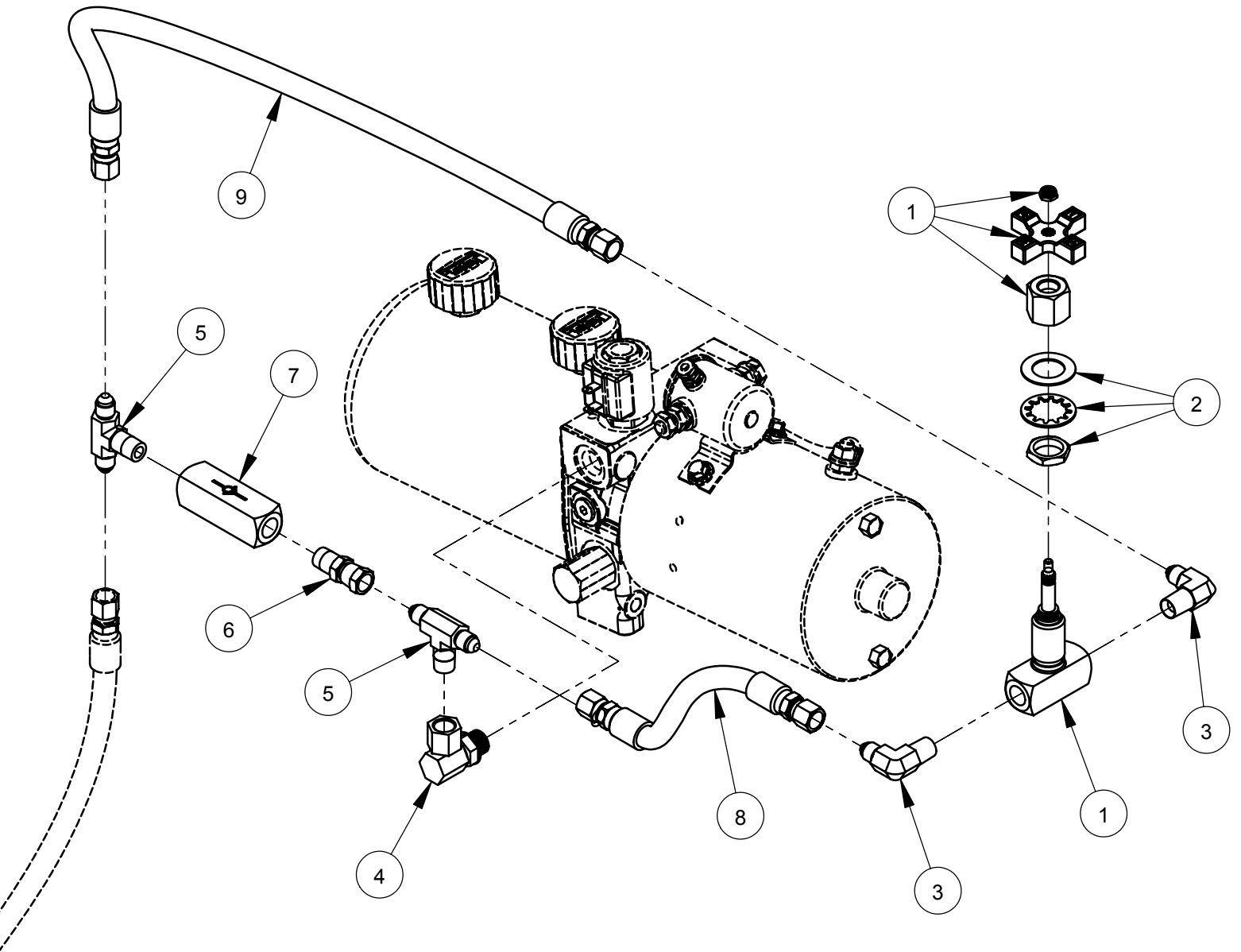
Optional Shaft Tachometer Assembly #6011384



ITEM	PART NO.	QTY.	DESCRIPTION
1	6011382	1	Gauge Panel
2	1801384	1	Instrument Panel Decal (Tach) CC3500J
3	6010416	1	Tach/Hour Meter (VDO) Calibrated
4	2800397	1	Tach Sensor Wire Harness
5	6011421	1	Shaft Tach Gear Assembly

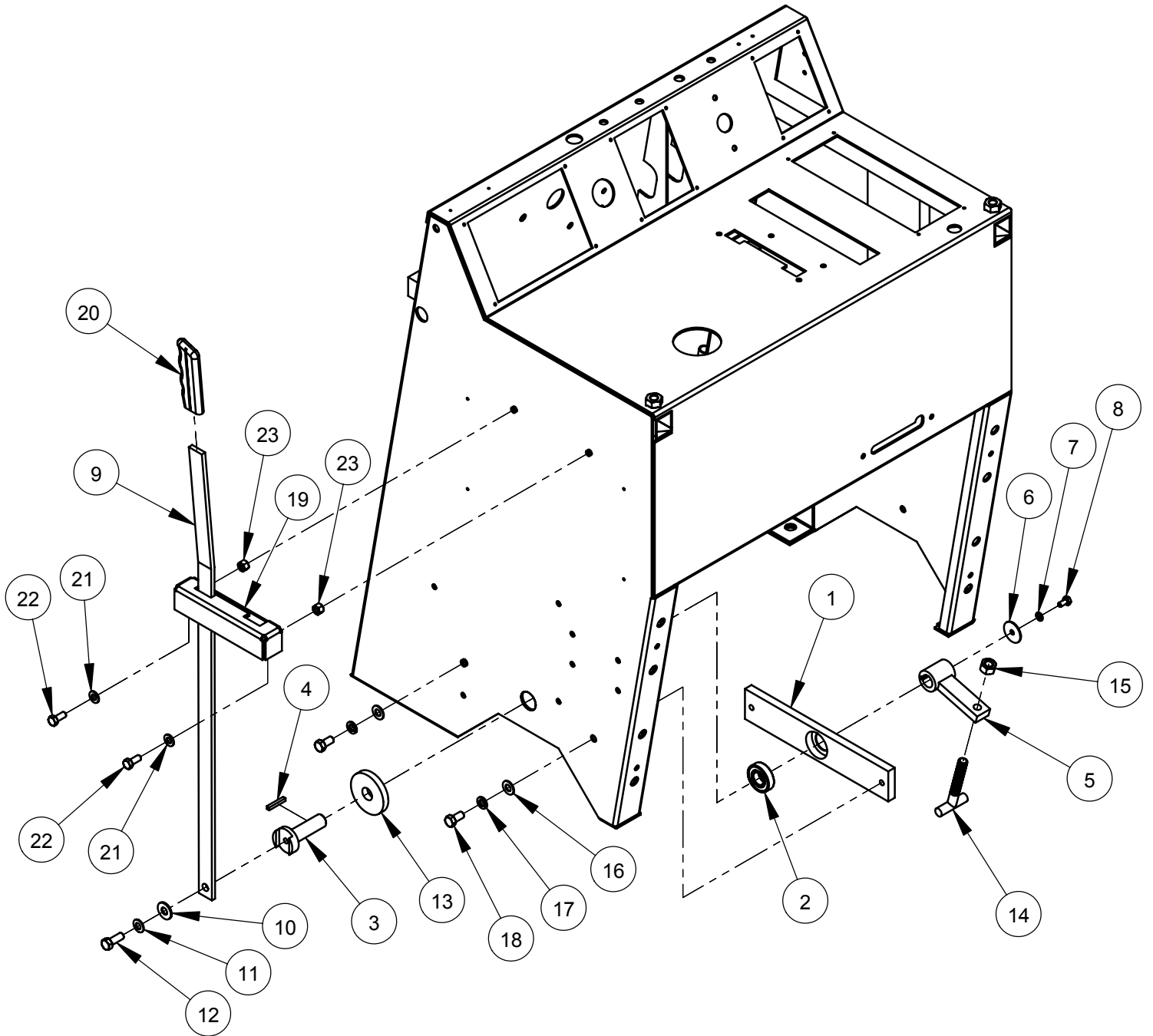
ITEM	PART NO.	QTY.	DESCRIPTION
6	6010230	1	Shaft Tach Gear, Split
7	6010669	2	Shaft Tach Gear Guard
8	2800169	1	Magnetic Sensor w/Jam Nut
9	2900113	1	Lock Washer, 5/8" Split
10	2501752	2	Seal, 1-3/4" V-Ring
11	2900022	8	Flat Washer, 5/16" SAE
12	2900039	2	Lock Nut, 5/16-18 Nylon
13	2900726	2	Cap Screw, Hex Hd., 5/16-18 x 2-1/2"
14	2900031	4	Lock Washer, 5/16" Split
15	2900138	4	Cap Screw, Hex Hd., 5/16-18 x 1"

Optional Lowering Speed Metering Valve Assembly #6010227



ITEM	PART NO.	QTY.	DESCRIPTION
1	3200211	1	Valve, 1/4" Metering
2	3200212	1	Panel Mounting Kit
3	3200057	2	Elbow, 1/4" M. Pipe to 1/4" M. JIC
4	3200115	1	Elbow, 3/8" O-Ring to 1/4" F. Pipe
5	3200213	2	Tee, 1/4" M. JIC to 1/4" M. Pipe
6	3200219	1	Adapter, 1/4" M. Pipe to 1/4" F. JIC
7	3200218	1	Check Valve
8	6010247	1	Hose Assembly, 8" Long
9	6010248	1	Hose Assembly, 20" Long

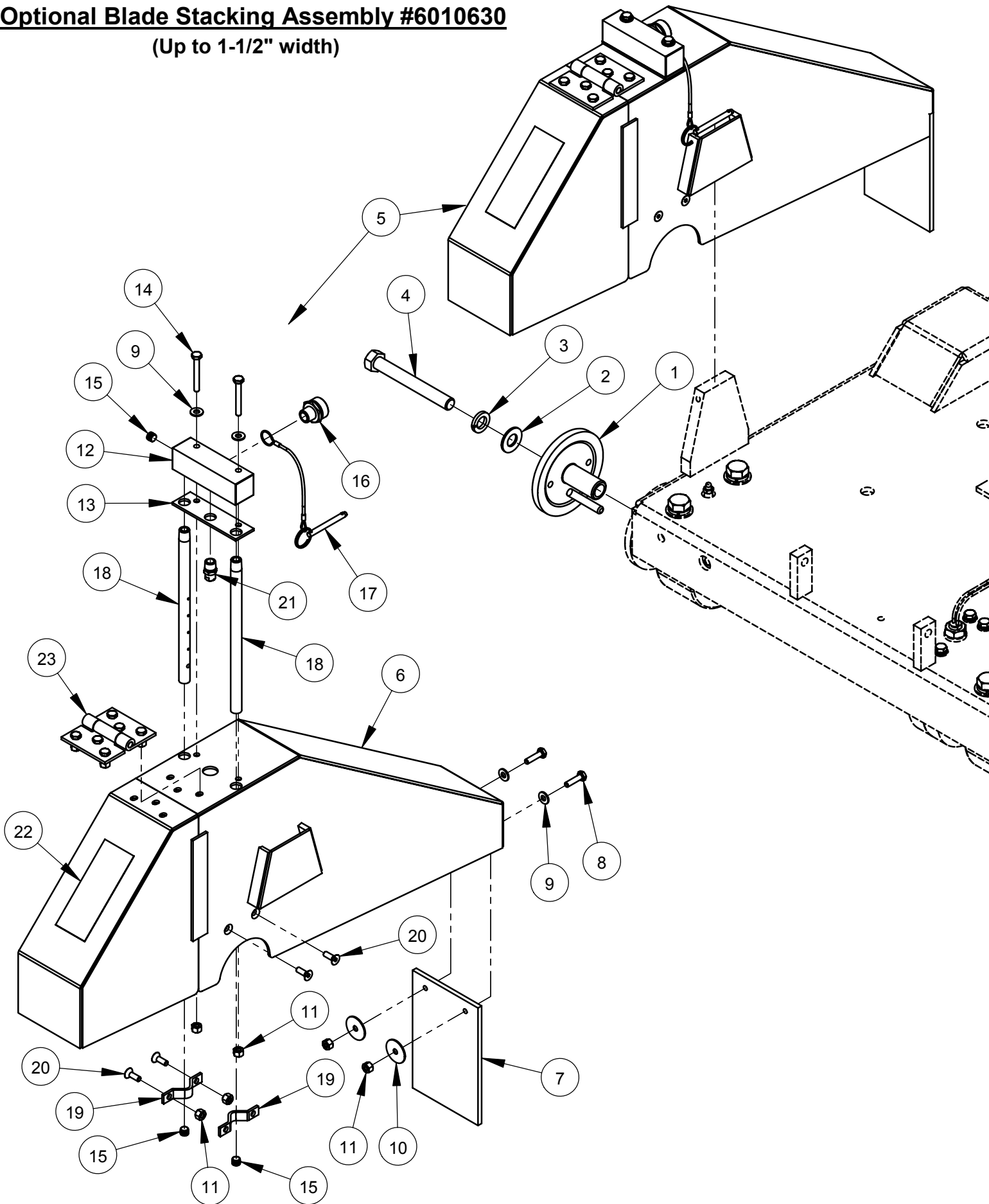
Optional Parking Brake Assembly #6011228



Optional Parking Brake Assembly #6011228

ITEM	PART NO.	QTY.	DESCRIPTION
1	6011229	1	Bearing Housing Bar
2	2501664	1	Ball Bearing, 3/4" x 1-5/8" x 7/16"
3	6011230	1	Pivot Pin
4	6048229	1	Key, 3/16" Sq. x 1-1/4"
5	6011231	1	Pivot Arm
6	2900083	1	Fender Washer, 1/4" x 1-1/4"
7	2900024	1	Lock Washer, 1/4" Split
8	2900082	1	Cap Screw, Hex Hd., 1/4-20 x 1/2"
9	6011232	1	Brake Lever
10	2900473	1	Flat Washer, 3/8" USS
11	2900474	1	Belleville Washer, 3/8"
12	2900005	1	Cap Screw, Hex Hd., 3/8-16 x 1"
13	6011234	1	Friction Washer, 3/4" x 2-1/2" x 3/8"
14	2900632	1	T-Bolt, 1/2-13
15	2900037	1	Hex Nut, 1/2-13
16	2900014	2	Flat Washer, 3/8" SAE
17	2900006	2	Lock Washer, 3/8" Split
18	2900196	2	Cap Screw, Hex Hd., 3/8-16 x 3/4"
19	6011233	1	Lever Gate
20	2500002	1	Lever Grip
21	2900022	2	Flat Washer, 5/16" SAE
22	2900019	2	Cap Screw, Hex Hd., 5/16-18 x 3/4"
23	2900039	2	Lock Nut, 5/16-18 Nylon

Optional Blade Stacking Assembly #6010630
(Up to 1-1/2" width)

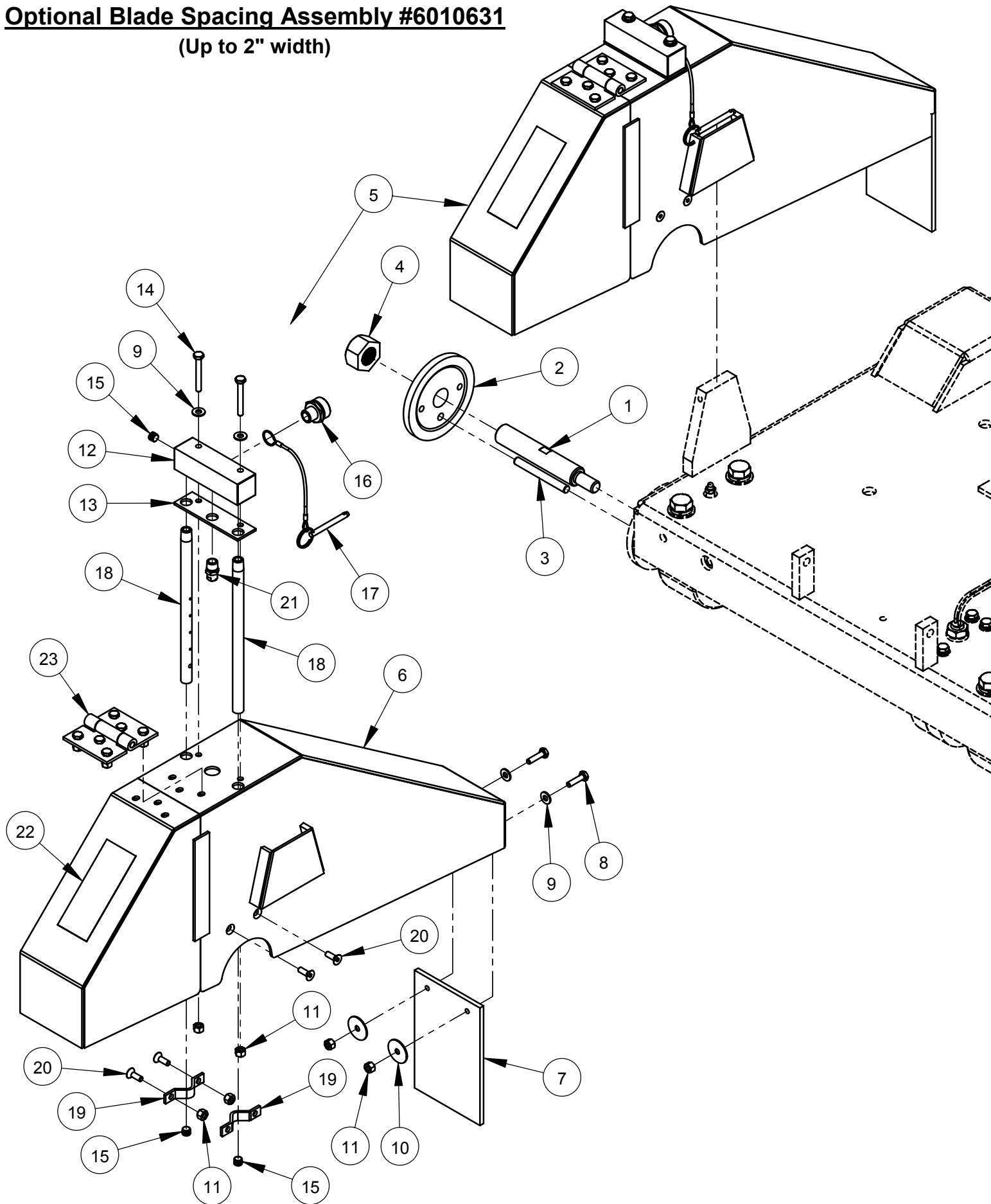


Optional Blade Stacking Assembly #6010630
(Up to 1-1/2" width)

ITEM	PART NO.	QTY.	DESCRIPTION
1	6010159	1	Outer Flange 4-1/2" with Pin
2	2900002	1	Flat Washer, 5/8" SAE
3	2900113	1	Lock Washer, 5/8" Split
4	2900210	1	Cap Screw, Hex Hd., 5/8"-11 x 5" LH
5	6010620	1	20" Wide Blade Guard Assembly

ITEM	PART NO.	QTY.	DESCRIPTION
6	6010621	1	20" Wide Blade Guard Front & Rear Only
7	6010296	1	Splash Flap
8	2900008	2	Cap Screw, Hex Hd., 1/4-20 x 1"
9	2900009	4	Flat Washer, 1/4" SAE
10	2900083	2	Fender Washer, 1/4" x 1-1/4"
11	2900010	8	Lock Nut, 1/4-20 Nylon
12	6010288	1	Water Manifold
13	2500988	1	Water Manifold Gasket
14	2900294	2	Cap Screw, Hex Hd., 1/4-20 x 2"
15	3200001	3	Plug, 1/8" NPT
16	3200002	1	Fitting, 3/8" M. Pipe to 3/4" M. Garden
17	2900278	1	Lanyard with Lock Pin
18	6010085	2	Water Tube for 20" Guard
19	6048155	2	Water Tube Clamp
20	2900020	4	Cap Screw, Flat Hd., 1/4-20 x 3/4"
21	3200208	1	Nozzle, 1/4" NPT
22	1800001	1	Warning Label
23	6010251	1	Hinge Assembly for 20" Guard

Optional Blade Spacing Assembly #6010631
(Up to 2" width)

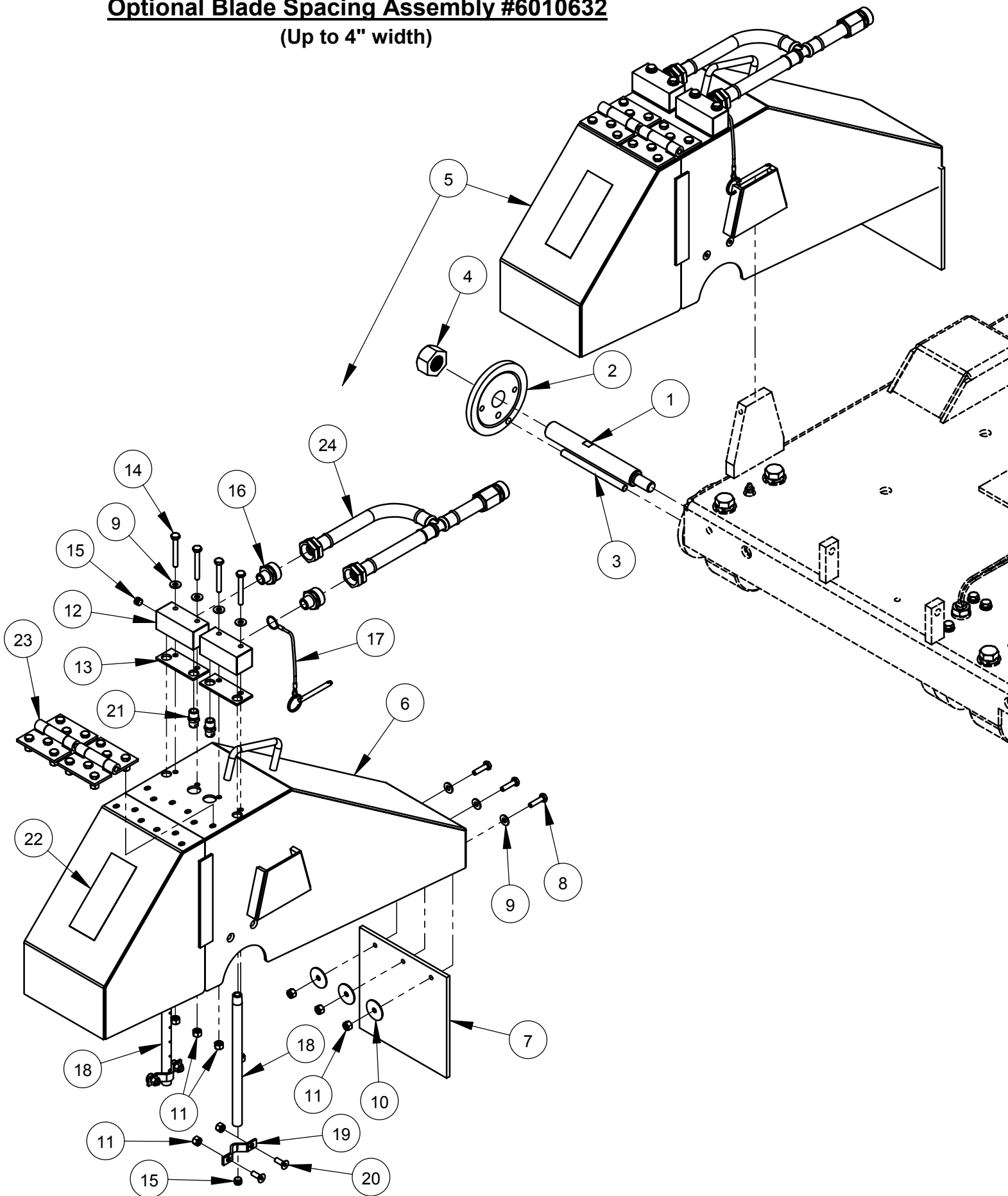


Optional Blade Spacing Assembly #6010631
(Up to 2" width)

ITEM	PART NO.	QTY.	DESCRIPTION
1	6010186	1	Blade Shaft Extension, Left Hand Thread
2	6010187	1	Outer Flange 4-1/2"
3	2900218	1	Dowel Pin, 3/8" Dia. x 3-1/2"
4	2900212	1	Hex Nut, 1"-14 Left Hand
5	6010620	1	20" Wide Blade Guard Assembly

ITEM	PART NO.	QTY.	DESCRIPTION
6	6010621	1	20" Wide Blade Guard Front & Rear Only
7	6010296	1	Splash Flap
8	2900008	2	Cap Screw, Hex Hd., 1/4-20 x 1"
9	2900009	4	Flat Washer, 1/4" SAE
10	2900083	2	Fender Washer, 1/4" x 1-1/4"
11	2900010	8	Lock Nut, 1/4-20 Nylon
12	6010288	1	Water Manifold
13	2500988	1	Water Manifold Gasket
14	2900294	2	Cap Screw, Hex Hd., 1/4-20 x 2"
15	3200001	3	Plug, 1/8" NPT
16	3200002	1	Fitting, 3/8" M. Pipe to 3/4" M. Garden
17	2900278	1	Lanyard with Lock Pin
18	6010085	2	Water Tube for 20" Guard
19	6048155	2	Water Tube Clamp
20	2900020	4	Cap Screw, Flat Hd., 1/4-20 x 3/4"
21	3200208	1	Nozzle, 1/4" NPT
22	1800001	1	Warning Label
23	6010251	1	Hinge Assembly for 20" Guard

Optional Blade Spacing Assembly #6010632
(Up to 4" width)

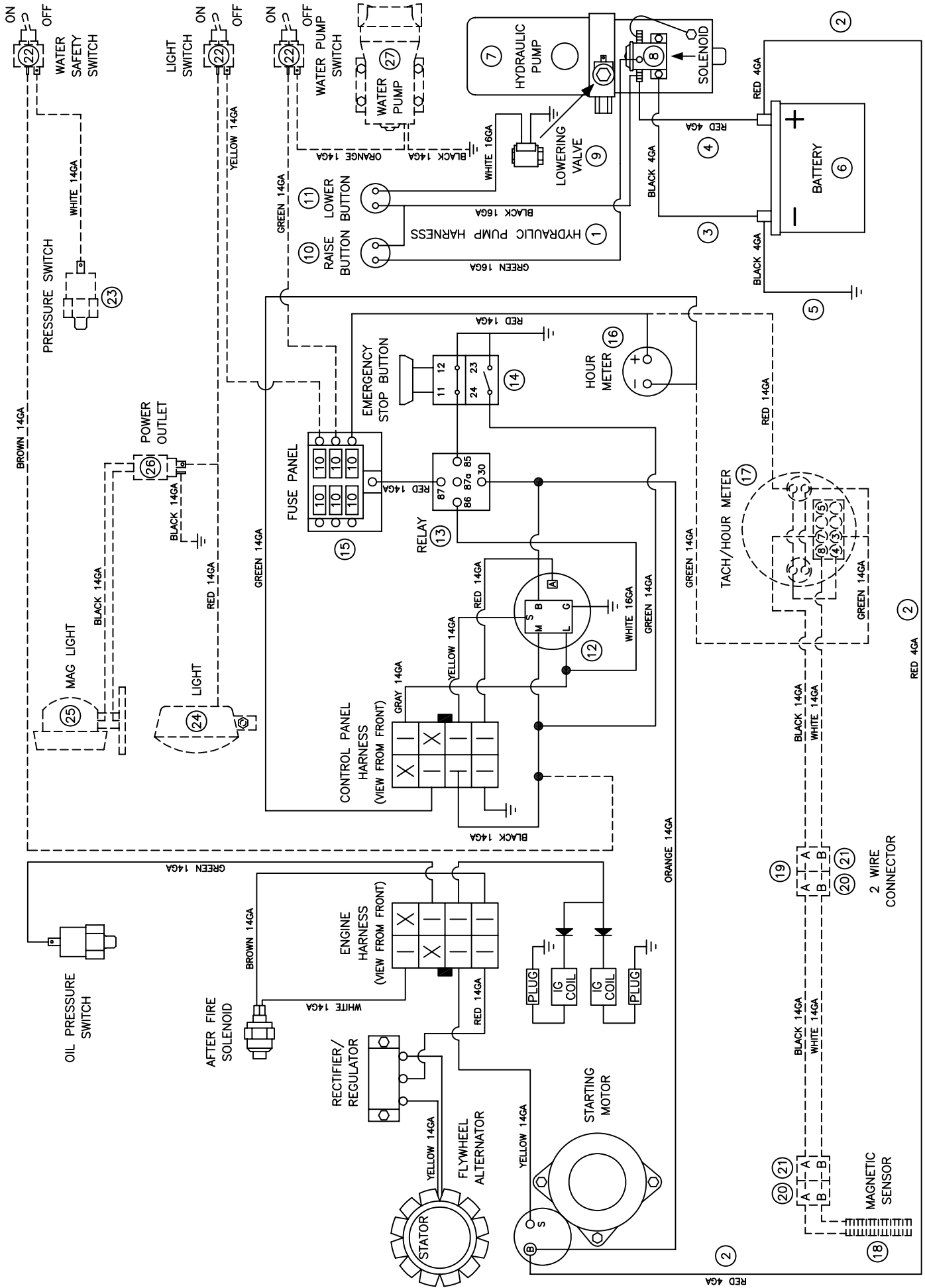


Optional Blade Spacing Assembly #6010632
(Up to 4" width)

ITEM	PART NO.	QTY.	DESCRIPTION
1	6010309	1	Blade Shaft Extension, Left Hand Thread
2	6010187	1	Outer Flange 4-1/2"
3	6010359	1	Drive Pin, 3/8" Dia. x 5"
4	2900212	1	Hex Nut, 1"-14 Left Hand
5	6010622	1	20" Wide Blade Guard Assembly

ITEM	PART NO.	QTY.	DESCRIPTION
6	6010623	1	20" Wide Blade Guard Front & Rear Only
7	6010366	1	Splash Flap
8	2900008	3	Cap Screw, Hex Hd., 1/4-20 x 1"
9	2900009	7	Flat Washer, 1/4" SAE
10	2900083	3	Fender Washer, 1/4" x 1-1/4"
11	2900010	11	Lock Nut, 1/4-20 Nylon
12	6048123	2	Water Manifold
13	2500829	2	Water Manifold Gasket
14	2900294	4	Cap Screw, Hex Hd., 1/4-20 x 2"
15	3200001	4	Plug, 1/8" NPT
16	3200002	2	Fitting, 3/8" M. Pipe to 3/4" M. Garden
17	2900278	1	Lanyard with Lock Pin
18	6010085	2	Water Tube for 20" Guard
19	6048155	2	Water Tube Clamp
20	2900020	4	Cap Screw, Flat Hd., 1/4-20 x 3/4"
21	3200208	2	Nozzle, 1/4" NPT
22	1800001	1	Warning Label
23	6010251	2	Hinge Assembly for 20" Guard
24	6010588	1	Hose Assembly, Dual Inlet

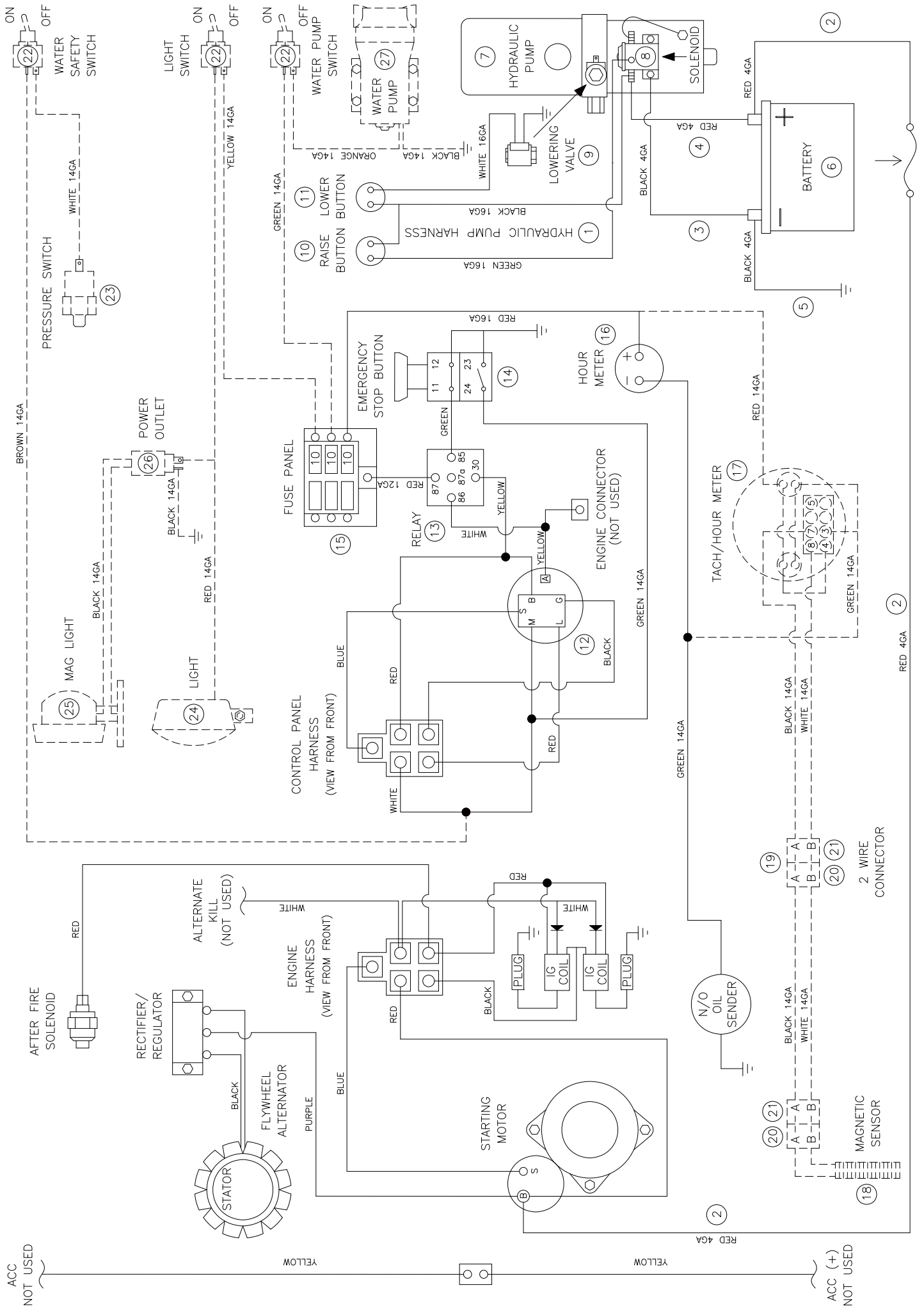
Wiring Diagram 35 HP Briggs-Vanguard



Wiring Diagram Briggs-Vanguard 35HP

Diagram Number	Part No.	Qty. Req.	Description	Diagram Number	Part No.	Qty. Req.	Description
1	2800393	1	Hydraulic Pump Harness	18	2800169	1	Optional Magnetic Sensor (Includes #20)
2	2800073	1	Battery Cable, Positive (Red)	19	2800397	1	Optional Tach Sensor Harness
3	2800072	1	Battery Cable, Negative (Black)				(Includes #20 & #21)
4	2800095	1	Solenoid Cable, Positive (Red)	20	2800145	2	Optional Connector, 2 Wire Shroud
5	2800182	1	Ground Cable, Negative (Black)		2800114	4	Male Terminal, 14/16 Gage Wire
6	2700208	1	Battery, 12 Volt		2800174	4	Cable Seal, Gray
7	2600070	1	Hydraulic Pump Unit (Includes #8 and #9)	21	2800146	2	Optional Connector, 2 Wire Tower
8	2700169	1	Solenoid, Motor		2800115	4	Female Terminal, 14/16 Gage Wire
9	2700243	1	Valve Coil		2800174	4	Cable Seal, Gray
	2700244	1	Valve Stem	22	2800062	3	Optional Toggle Switch
10	2800372	1	Pushbutton Switch, Raise		2800063	3	Switch Boot
11	2800373	1	Pushbutton Switch, Lower	23	2800060	1	Optional Water Pressure Safety Switch
12	2702622	1	Ignition Switch (Briggs-Vanguard)	24	2500194	1	Optional Spot Light, 12 Volt
13	2800144	1	Relay	25	2501087	1	Optional Magnetic Base Light, 12 Volt
	2800263	1	Relay Harness (Red, Green, Yellow, White wires)	26	2800374	1	Optional Power Outlet, 12 Volt
14	2801367	1	Emergency Stop Button		2800375	1	Outlet Cap
15	2800388	1	Fuse Panel, 6 Circuit	27	2600200	1	Optional Water Pump, Diaphragm
	2800389	6	Fuse, 10 Amp Red ATO/ATC				
16	2800460	1	Hour Meter				
17	6010416	1	Optional Tach/Hour Meter (VDO) Calibrated				
	2800611	2	(Light Socket)				
	2800612	2	(Light Bulb, Wedge Base)				

Wiring Diagram 35 HP Kohler



Wiring Diagram 35HP Kohler

Diagram Number	Part No.	Qty. Req.	Description	Diagram Number	Part No.	Qty. Req.	Description
1	2800393	1	Hydraulic Pump Harness	18	2800169	1	Optional Magnetic Sensor (Includes #20)
2	2800073	1	Battery Cable, Positive (Red)	19	2800397	1	Optional Tach Sensor Harness
3	2800072	1	Battery Cable, Negative (Black)				(Includes #20 & #21)
4	2800095	1	Solenoid Cable, Positive (Red)	20	2800145	2	Optional Connector, 2 Wire Shroud
5	2800182	1	Ground Cable, Negative (Black)		2800114	4	Male Terminal, 14/16 Gage Wire
6	2700208	1	Battery, 12 Volt		2800174	4	Cable Seal, Gray
7	2600070	1	Hydraulic Pump Unit (Includes #8 and #9)	21	2800146	2	Optional Connector, 2 Wire Tower
8	2700169	1	Solenoid, Motor		2800115	4	Female Terminal, 14/16 Gage Wire
9	2700243	1	Valve Coil		2800174	4	Cable Seal, Gray
	2700244	1	Valve Stem	22	2800062	3	Optional Toggle Switch
10	2800372	1	Pushbutton Switch, Raise		2800063	3	Switch Boot
11	2800373	1	Pushbutton Switch, Lower	23	2800060	1	Optional Water Pressure Safety Switch
12	2705827	1	Key Switch (Kohler)	24	2500194	1	Optional Spot Light, 12 Volt
13	2800144	1	Relay	25	2501087	1	Optional Magnetic Base Light, 12 Volt
	2800392	1	Relay Harness (Red, Green, Yellow, White wires)	26	2800374	1	Optional Power Outlet, 12 Volt
14	2801367	1	Emergency Stop Button		2800375	1	Outlet Cap
15	2800388	1	Fuse Panel, 6 Circuit	27	2600200	1	Optional Water Pump, Diaphragm
	2800389	3	Fuse, 10 Amp Red ATO/ATC	28	2705828	1	Harness Extension (Not Shown)
16	2800460	1	Hour Meter				
17	6010416	1	Optional Tach/Hour Meter (VDO) Calibrated				
	2800611	2	(Light Socket)				
	2800612	2	(Light Bulb, Wedge Base)				

DECAL GROUP



CORE CUT DECAL
#1800256

DIAMOND PRODUCTS CORE CUT CC3500J Large Walk Behind Saw

Diamond Products Limited
800-321-5336 - www.diamondproducts.com
Made in the U.S.A.

CC3500J SINGLE SPEED RPM CHART

BLADE SIZE	BLADE RPM	BLADESHAFT SHEAVE	JACKSHAFT SHEAVE OUTPUT	JACKSHAFT SHEAVE INPUT	ENGINE SHEAVE	ENGINE RPM	FLANGE SIZE	MAX CUT DEPTH
14"	3,000	3.65"	5.00"	6.00"	3.65"	3,600	5"	4-3/8"
20"	2,500	3.65"	5.60"	8.00"	3.65"	3,600	5"	7-3/8"
26"	1,900	4.12"	4.75"	8.00"	3.65"	3,600	5"	10-3/8"
30"	1,650	4.12"	4.12"	8.00"	3.65"	3,600	5"	12-3/8"

WARNING! NEVER EXCEED THE MAXIMUM RPM STAMPED ON BLADE!
EXCESSIVE SPEED CAN CAUSE BLADE BREAKAGE RESULTING IN SERIOUS PERSONAL INJURY OR DEATH.

RPM CHART DECAL
#1802610(A)



SAW DECALS SHEET
#1802590



CONTROL LEVER
DECAL #1802609



FUEL WARNING DECAL
#1802608

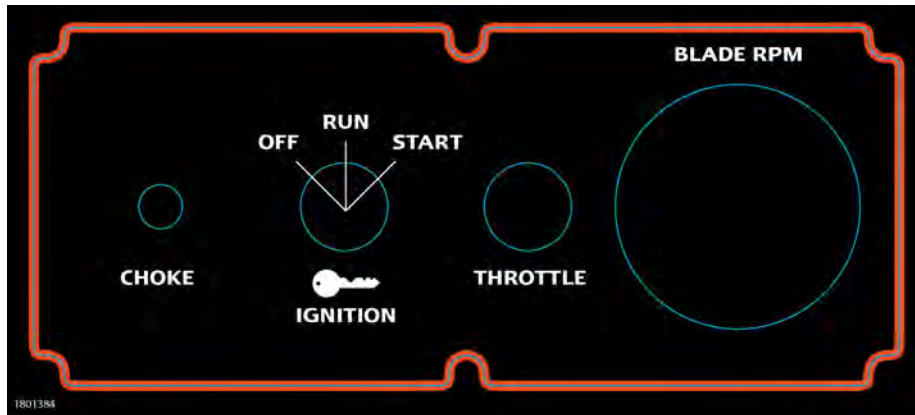


DP OVAL LOGO DECAL
#1802620

DECAL GROUP



INSTRUMENT PANEL DECAL (STANDARD)
#1801382



INSTRUMENT PANEL DECAL (OPTIONAL TACH)
#1801384



WARNING DECAL
#1800001

EQUIPMENT AND PARTS WARRANTY

Diamond Products warrants all equipment manufactured by it against defects in workmanship or materials for a period of one (1) year from the date of shipment to Customer.

The responsibility of Diamond Products under this Warranty is limited to replacement or repair of defective parts at Diamond Products' Elyria, Ohio factory, or at a point designated by it, of such parts as shall appear to us upon inspection at such parts, to have been defective in material or workmanship, with expense for transportation and labor borne by Customer.

In no event shall Diamond Products be liable for consequential or incidental damages arising out of the failure of any Product to operate properly.

Integral units such as engines, electric motors, batteries, transmissions, etc., are excluded from this Warranty and are subject to the prime manufacturer's warranty.

THIS WARRANTY IS IN LIEU OF ALL OTHER WARRANTIES, EXPRESSED OR IMPLIED, AND ALL SUCH OTHER WARRANTIES ARE HEREBY DISCLAIMED.



333 Prospect Street, Elyria, Ohio 44035
(440) 323-4616 • (800) 321-5336 • Fax (440) 323-8689
www.diamondproducts.com