



**CORE CUT
PARTS LIST**

**CC800M
BLOCK SAW**

MARCH 2024

Part #: 1800719-23

Proposition 65
State of California

Warning !

Engine exhaust and some its constituents are known to the State of California to cause cancer, birth defects, and/or other reproductive harm.

Notification of Spark Arrester Requirement for
State of California

It is a violation of Section 4442 or 4443 to use or operate the engine on any forest-covered, brush-covered, or grass-covered land unless the engine is equipped with a spark arrester, as defined in Section 4442, maintained in effective working order or the engine is constructed, equipped, and maintained for the prevention of fire pursuant to Section 4443.

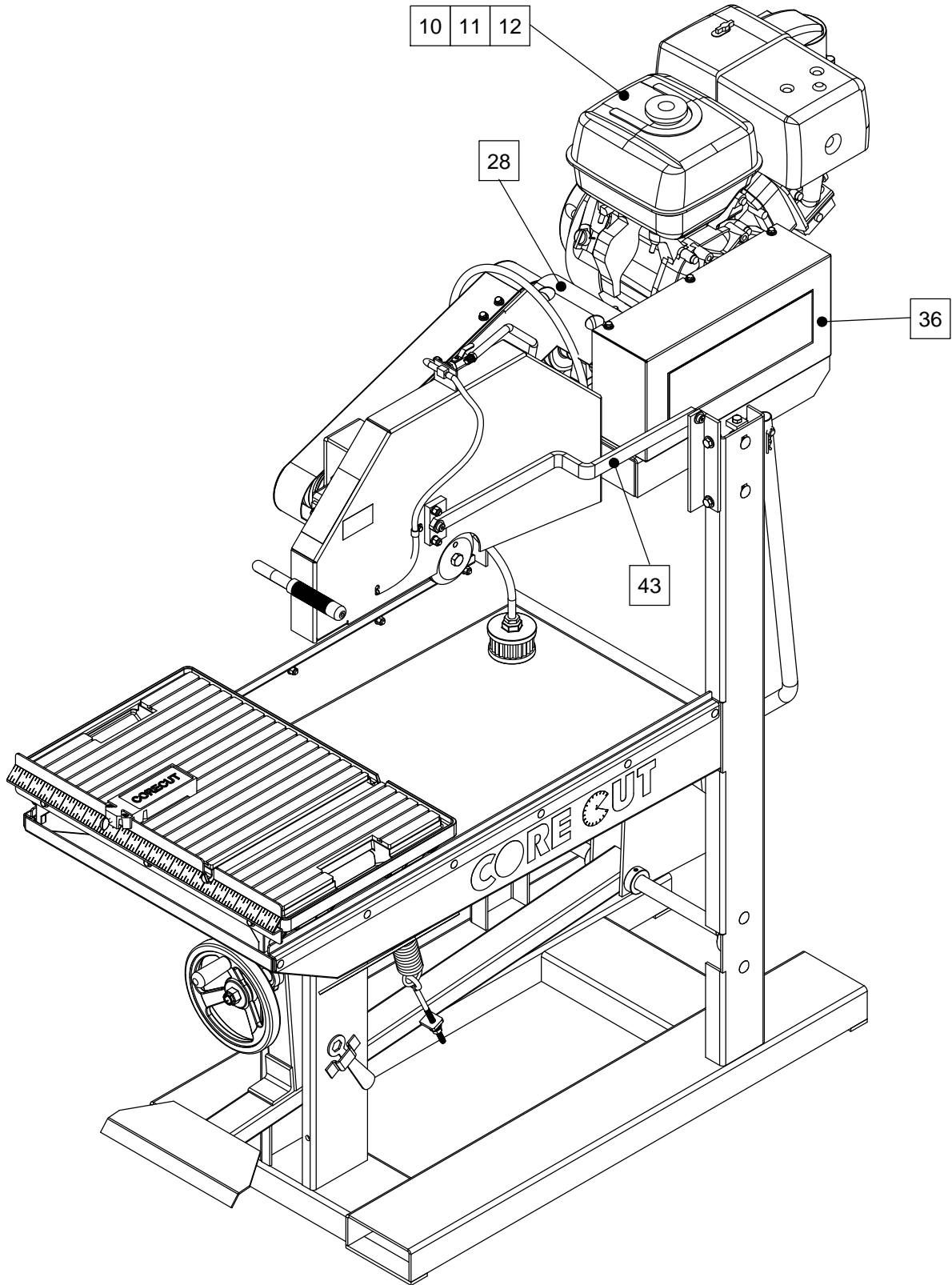
Quick Reference Service: Filters & Belts

<u>DP Part No.</u>	<u>Description</u>	<u>Manufacturer's Part No.</u>
2702018	Air Filter for 8 & 11 HP Honda	Honda #17210-ZE3-505
2501098	Belt for 8 & 11 HP Honda & 9 HP Lifan	Gates BX28
2501089	Belt for 5 & 7.5 HP Baldor with 20" Blade	Gates BX64
2505151	Belt for 7.5 Baldor with 24" Blade	Gates BX63

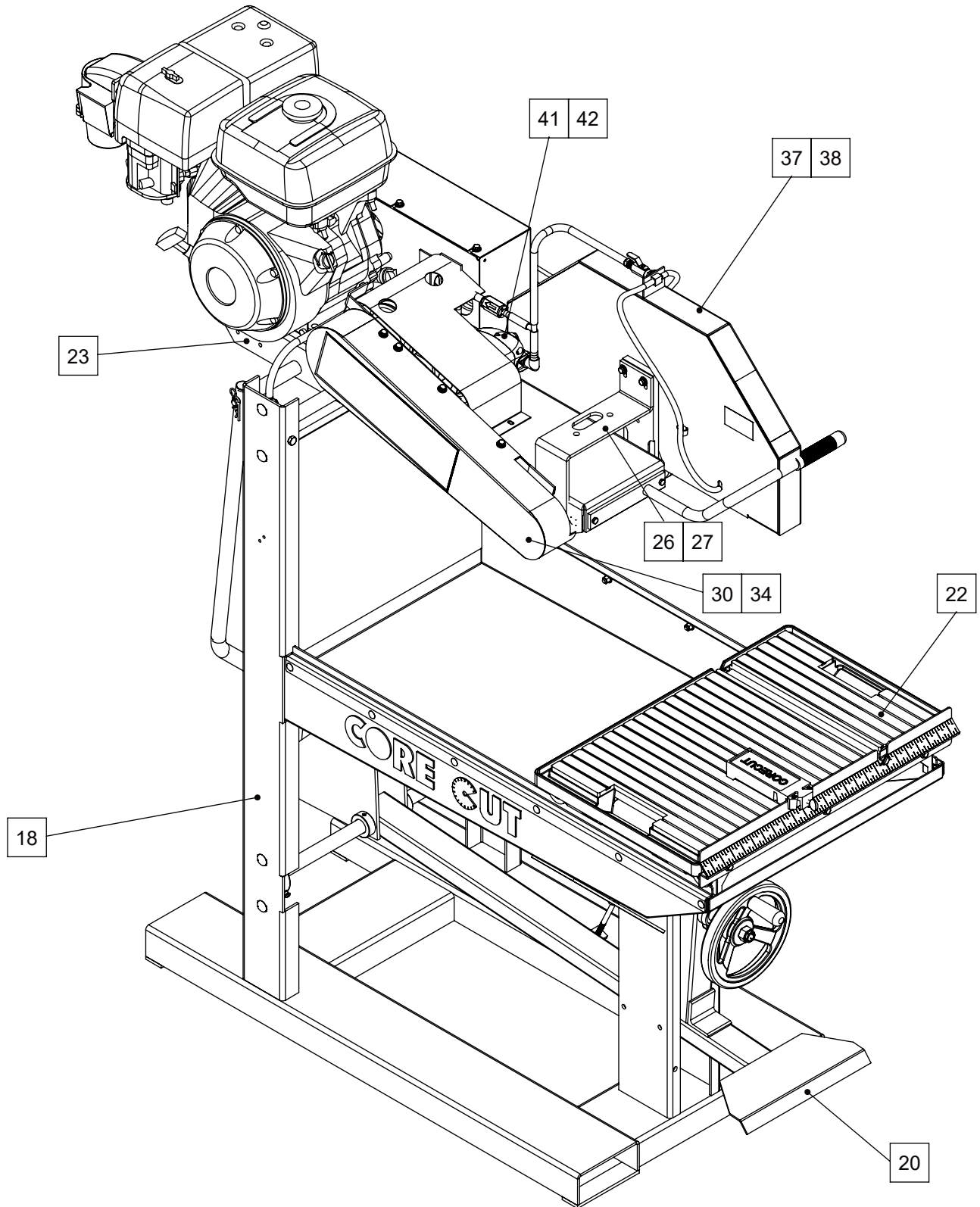
TABLE OF CONTENTS

Description	Page No.	Description	Page No.
Pictorial Page Index – Gas Saw	4-5	Electric Motor Belt Drive – 7.5HP with 24” Blade	31
Pictorial Page Index – Electric Saw	6-7	Gas Engine Belt Guard Assembly	32
8HP Honda Gas Engine Assembly.....	8	Electric Motor Belt Guard Assembly.....	33
11HP Honda Gas Engine Assembly	9	Gas Engine Jackshaft Belt Guard Assembly... ..	34
11HP Honda Gas Engine Assy (Electric Start)..	10	Blade Guard for 20 “ Blade.....	35
Battery Assembly.....	11	Blade Guard for 24” Blade.....	36
5HP-1PH Electric Motor Assembly.....	12	Water Pump Assembly Gas Engine.....	37
5HP- 3PH Baldor Electric Motor Assembly	13	Diaphragm Pump Assembly.....	38
7.5HP- 1PH Baldor Electric Motor Assembly	14	Water Pump Assembly – 155V.....	39
7.5HP- 3PH Baldor Electric Motor Assembly	15	Water Pump Assembly – 230V.....	40
7.5HP- 3PH Baldor Elec. Motor Assy (380V)	16	Leveling Arm Assembly.....	41
Frame Assembly.....	17	Starter Box Assembly 220V,3PH.....	42-43
Foot Pedal Assembly	18-19	Starter Box Assembly 380V/460V, 3PH	44-45
Conveyor Cart	20	Power Box Assy 3PH 5 and 7.5HP-230V	46-47
Upper Frame Head Weldment	21	Power Box Assy 3PH 5 & 7.5HP-380V/460V.....	48-49
Blade Shaft Assembly without Pulley	22	Power Box Assembly 3PH 7.5HP 380V	50-51
Electric Blade Shaft Assembly with Pulley	23	Models and Specifications	52
Gas Blade Shaft Assembly with Pulley.....	24	Notes.....	53-55
Pivot Plate	25	Warranty	Rear Cover
Jackshaft Assembly.....	26-27		
Gas Engine Belt Drive	28		
Electric Motor Belt Drive – 5HP	29		
Electric Motor Belt Drive – 7.5HP with 20” Blade.....	30		

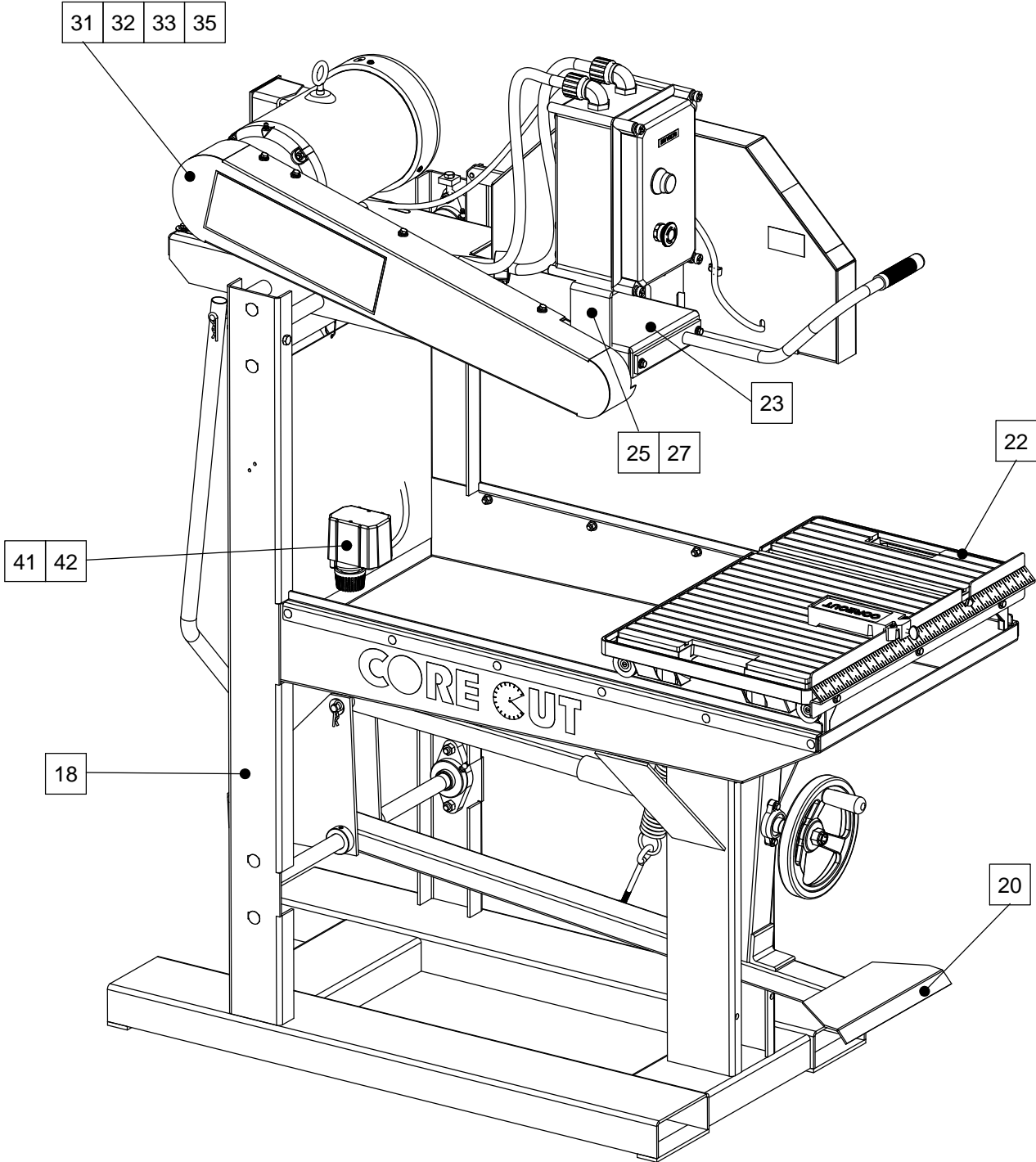
CC800M Gas Saw Pictorial Page Index



CC800M Gas Saw Pictorial Page Index

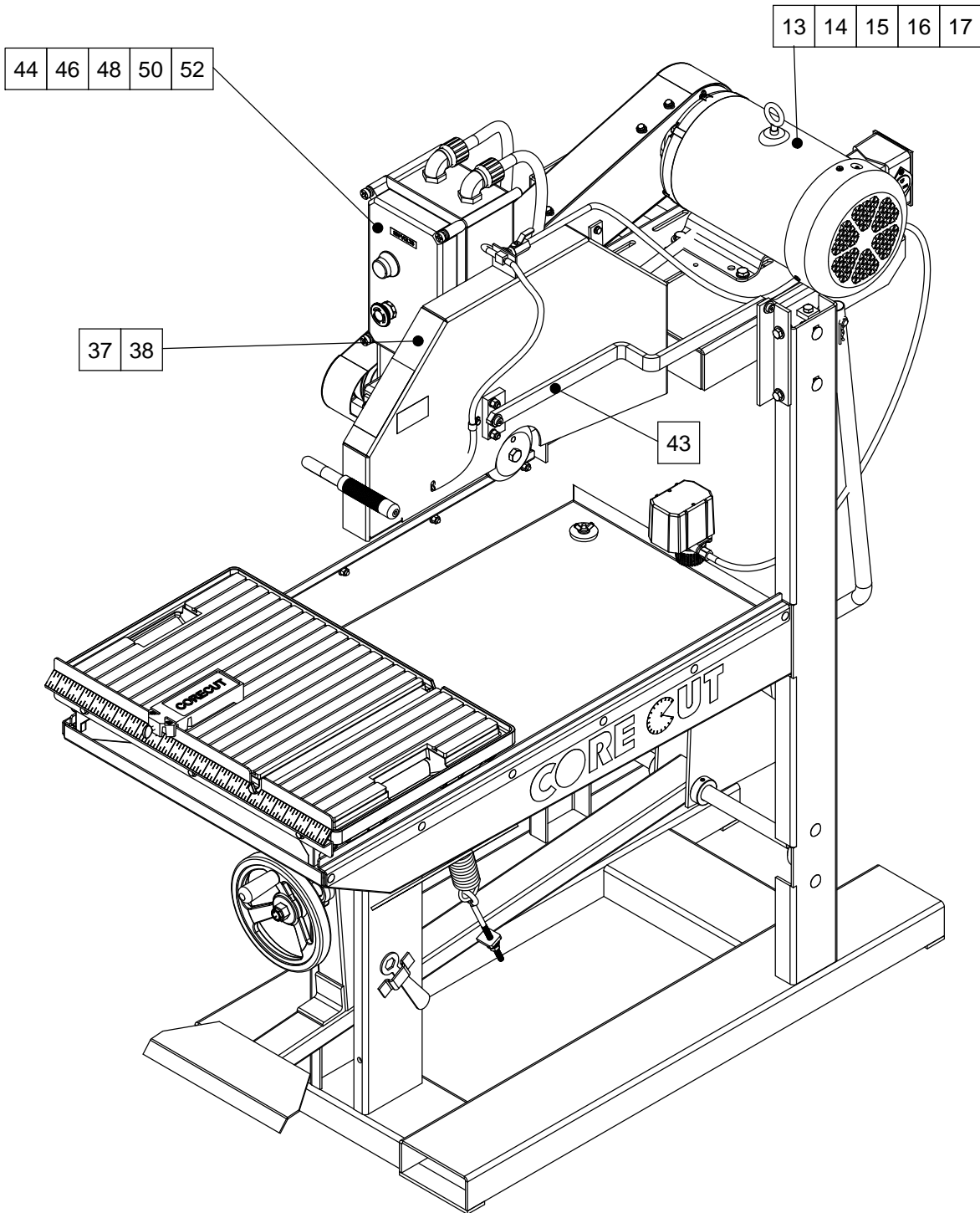


CC800M Electric Saw
Pictorial Page Index

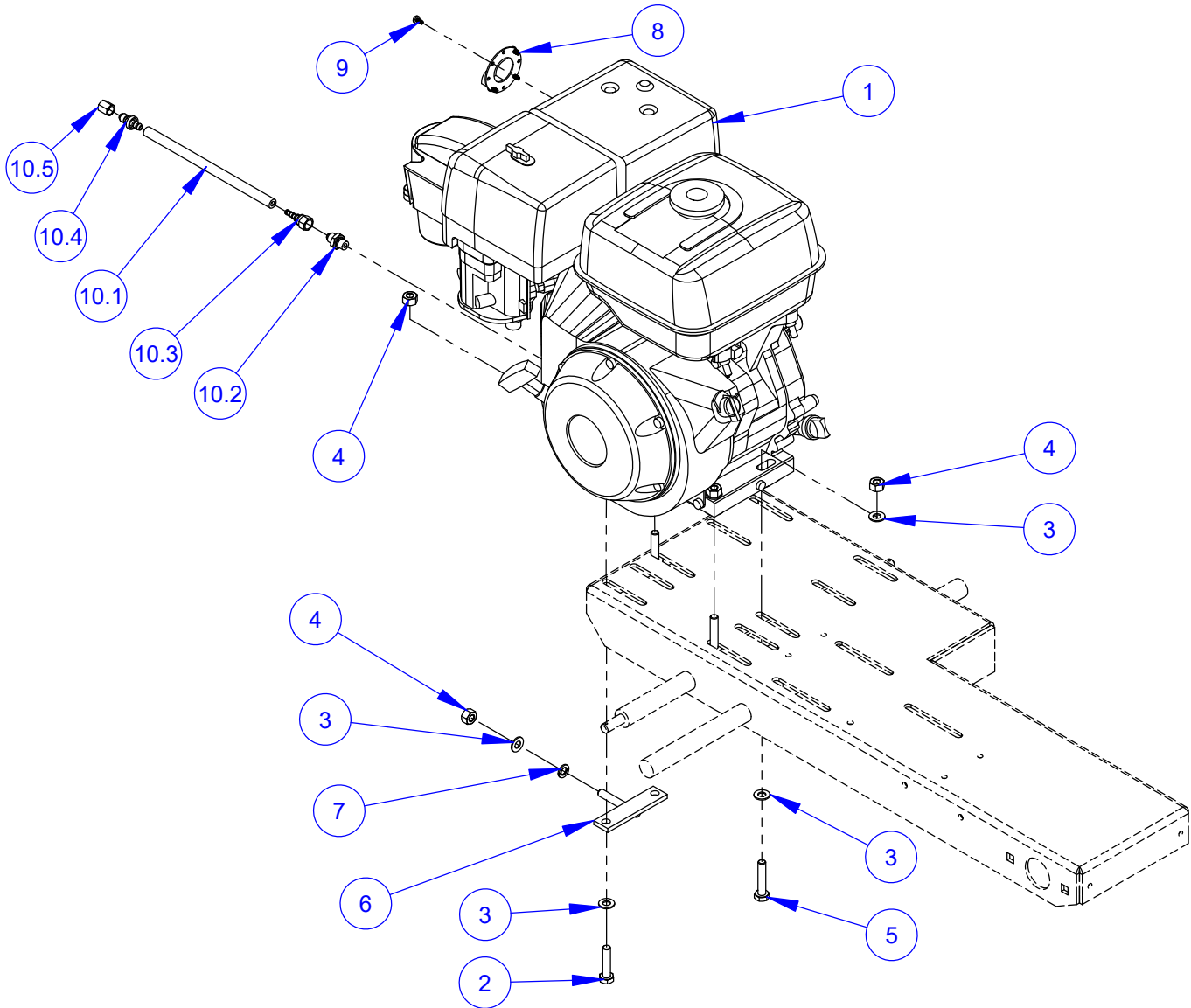


CC800M Electric Saw

Pictorial Page Index

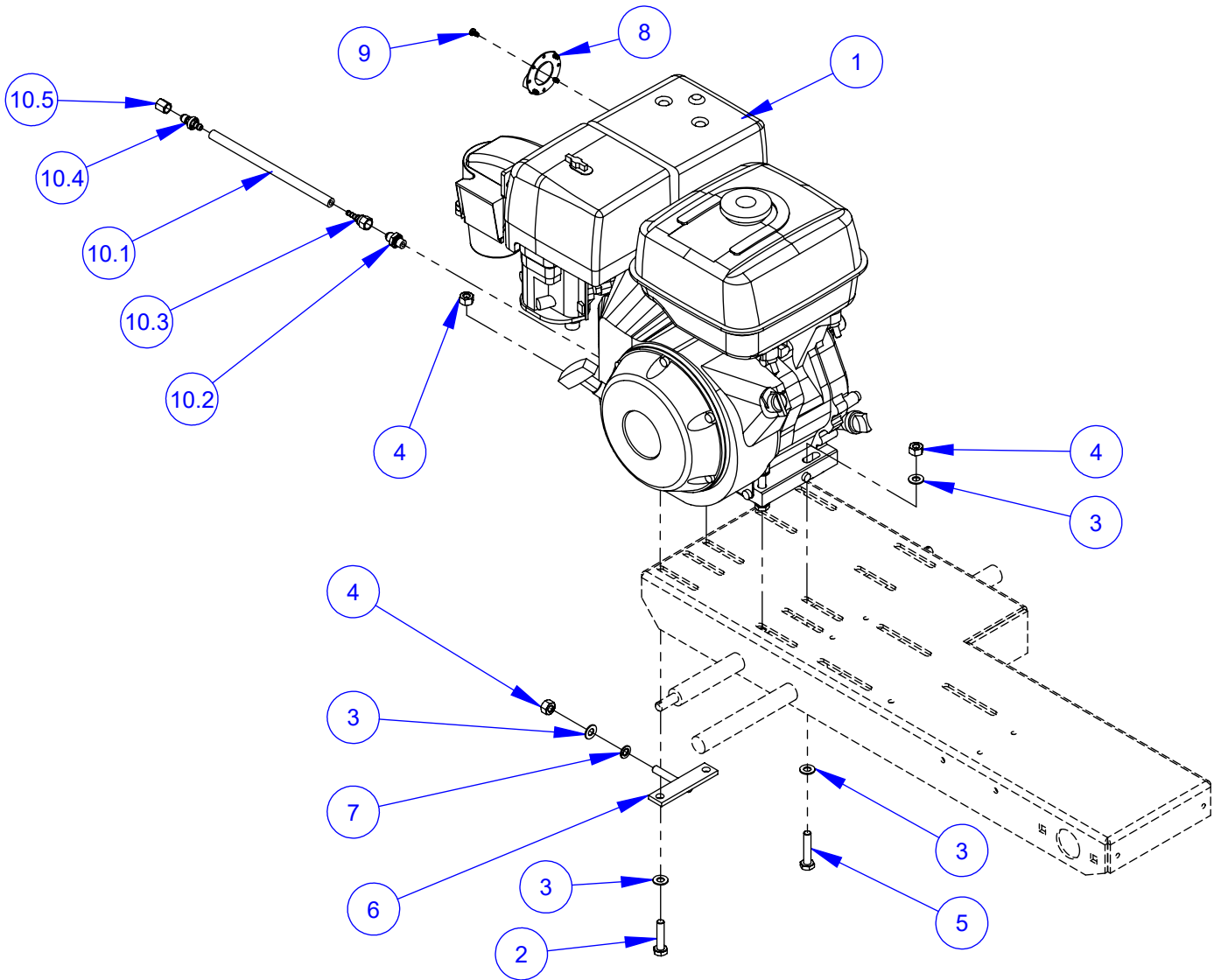


8 HP Honda Gas Engine Assembly #6014114



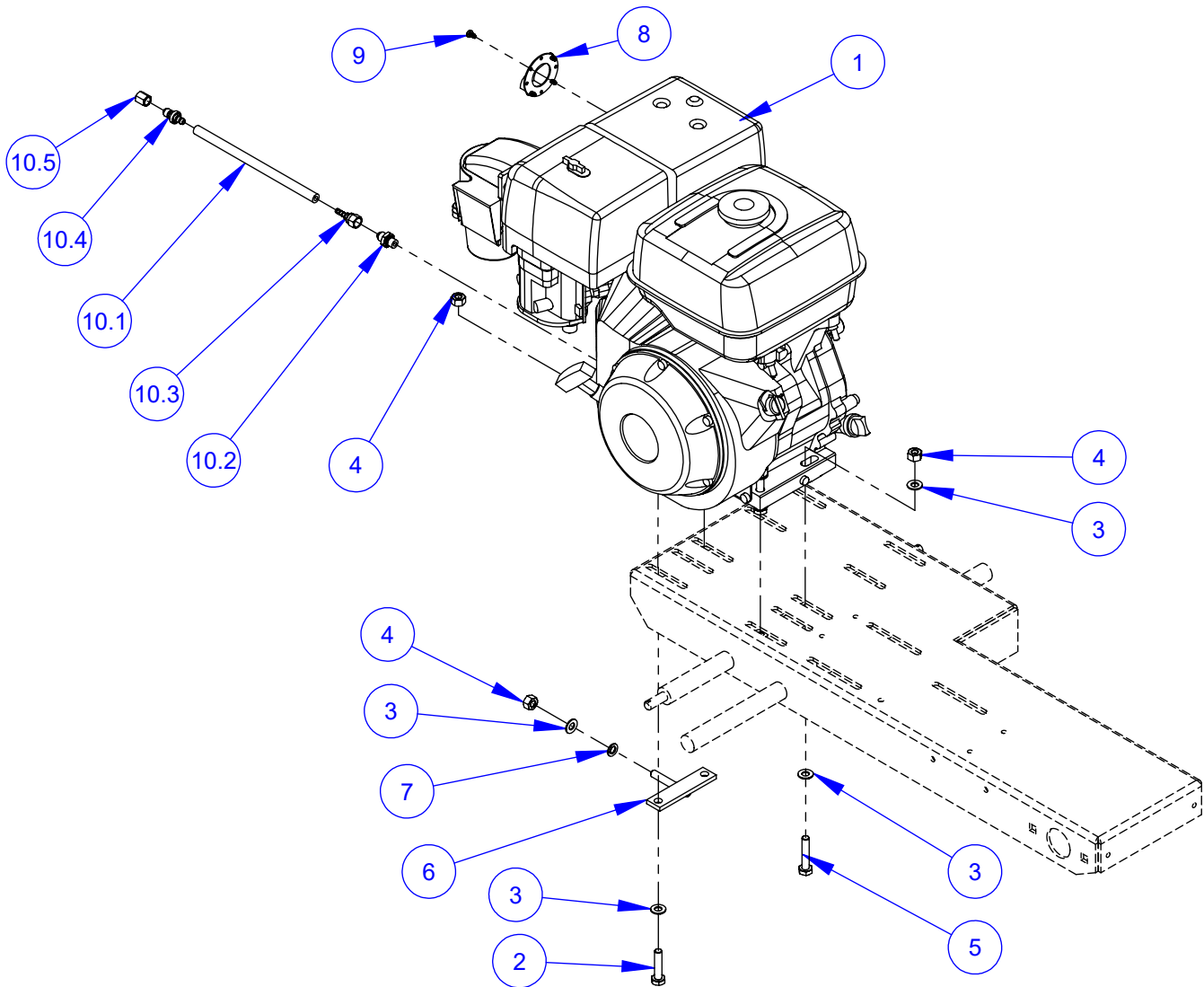
ITEM	PART NO.	QTY.	DESCRIPTION
1	2600160	1	Engine, 8HP Honda GX270
2	2900317	2	Cap Screw, Hex Hd., M10-1.5 x 45mm
3	2900014	7	Flat Washer, 3/8" SAE
4	2900304	5	Lock Nut, M10-1.5 Nylon Insert
5	2900337	2	Cap Screw, Hex Hd., M10-1.5 x 50mm, Full Thd.
6	6040263	1	Belt Adjustment Assembly
7	2900321	1	Lock Washer, M10 Split
8	2700554	1	Muffler Deflector, Honda & Lifan
9	2900021	4	Tap Screw, Pan Hd., #10-24 x 3/8"
10	6048042	1	Oil Drain Hose Assembly
10.1	6049037	1	1/4" x 9.00" Oil Drain Hose
10.2	3200539	1	Adapter, M12x1.5 Male to 5/16" M. JIC
10.3	3200540	1	Fitting, 5/16" F. JIC to 1/4" Pushlock
10.4	3200040	1	Fitting, 1/4" M. JIC to 1/4" Push Lock
10.5	3200006	1	Cap, 1/4" JIC

11 HP Honda Gas Engine Assembly #6014115



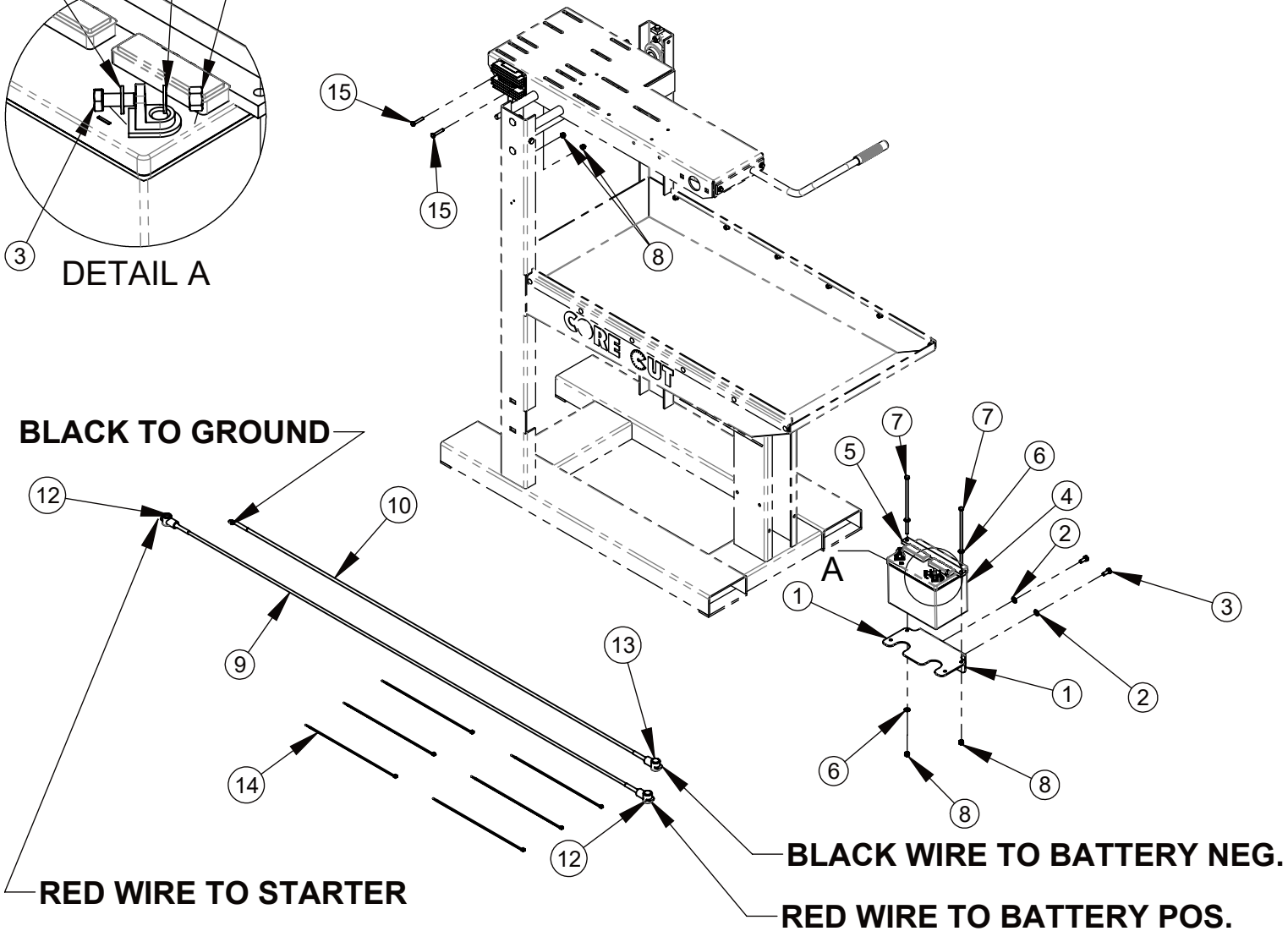
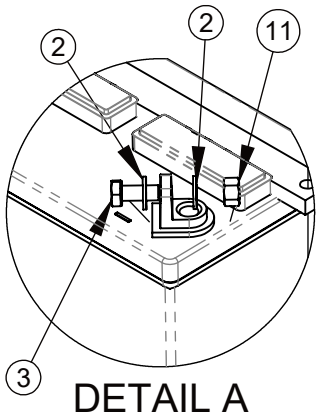
ITEM	PART NO.	QTY.	DESCRIPTION
1	2600116	1	Engine, 11 HP Honda GX390
2	2900317	2	Cap Screw, Hex Hd., M10-1.5 x 45mm
3	2900014	7	Flat Washer, 3/8" SAE
4	2900304	5	Lock Nut, M10-1.5 Nylon Insert
5	2900337	2	Cap Screw, Hex Hd., M10-1.5 x 50mm, Full Thd.
6	6040263	1	Belt Adjustment Assembly
7	2900321	1	Lock Washer, M10 Split
8	2700554	1	Muffler Deflector, Honda & Lifan
9	2900021	4	Tap Screw, Pan Hd., #10-24 x 3/8"
10	6048042	1	Oil Drain Hose Assembly
10.1	6049037	1	1/4" x 9.00" Oil Drain Hose
10.2	3200539	1	Adapter, M12x1.5 Male to 5/16" M. JIC
10.3	3200540	1	Fitting, 5/16" F. JIC to 1/4" Pushlock
10.4	3200040	1	Fitting, 1/4" M. JIC to 1/4" Push Lock
10.5	3200006	1	Cap, 1/4" JIC

11 HP Honda Gas Engine Assembly (Electric Start) #6014125



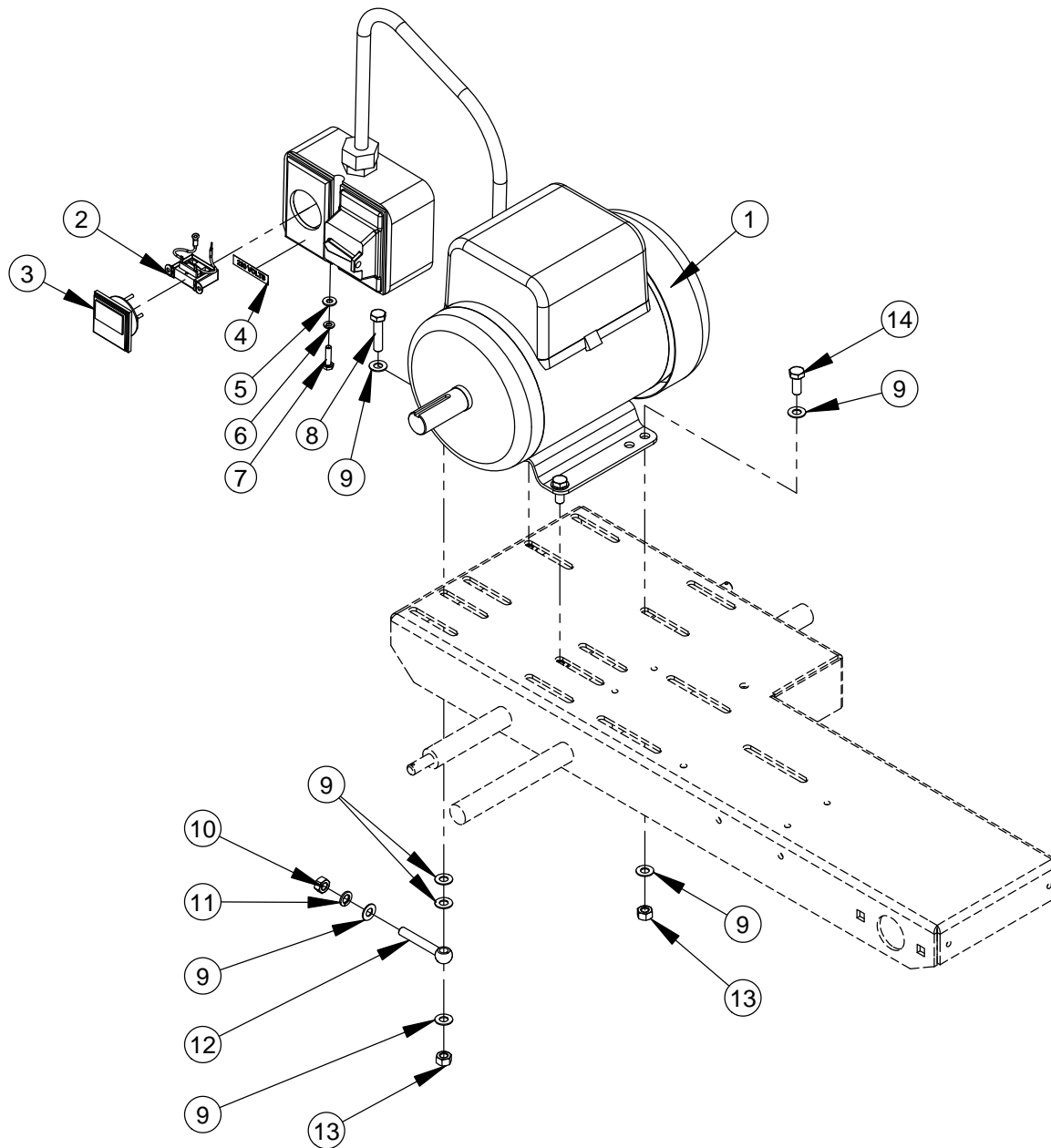
ITEM	PART NO.	QTY.	DESCRIPTION
1	2600277	1	Engine, 11 HP Honda GX390ES (Electric Start)
2	2900317	2	Cap Screw, Hex Hd., M10-1.5 x 45mm
3	2900014	7	Flat Washer, 3/8" SAE
4	2900304	5	Lock Nut, M10-1.5 Nylon Insert
5	2900337	2	Cap Screw, Hex Hd., M10-1.5 x 50mm, Full Thd.
6	6040263	1	Belt Adjustment Assembly
7	2900321	1	Lock Washer, M10 Split
8	2700554	1	Muffler Deflector, Honda & Lifan
9	2900021	4	Tap Screw, Pan Hd., #10-24 x 3/8"
10	6048042	1	Oil Drain Hose Assembly
10.1	6049037	1	1/4" x 9.00" Oil Drain Hose
10.2	3200539	1	Adapter, M12x1.5 Male to 5/16" M. JIC
10.3	3200540	1	Fitting, 5/16" F. JIC to 1/4" Pushlock
10.4	3200040	1	Fitting, 1/4" M. JIC to 1/4" Push Lock
10.5	3200006	1	Cap, 1/4" JIC

BATTERY ASSEMBLY OPTION #6045529



ITEM	PART NO.	QTY.	DESCRIPTION
1	6048327	1	Bracket
2	2900022	6	Flat Washer, 5/16" SAE
3	2900329	4	Cap Screw, Hex Hd., M8-1.25 x 20mm
4	2500584	1	Battery, 12 Volt Group Size U1
5	4646122	1	BatterySupport
6	2900009	4	Flat Washer, 1/4" SAE
7	2901405	2	Cap Screw, Hex Hd., 1/4-20 x 7-1/2"
8	2900010	4	Lock Nut, 1/4-20 Nylon
9	6049083	1	Battery Cable Assembly, Red 104"
10	6049084	1	Battery Cable Assembly, Black 96"
11	2900303	2	Lock Nut, M8-1.25 Nylon Insert
12	2800197	2	Battery Boot, Small (Red)
13	2800198	1	Battery Boot, Small (Black)
14	2800278	6	Zip Tie, 14"
15	2900048	2	Cap Screw, Hex Hd., 1/4-20 x 1-1/2"

5HP - Single Phase Baldor Electric Motor Assembly #6030243

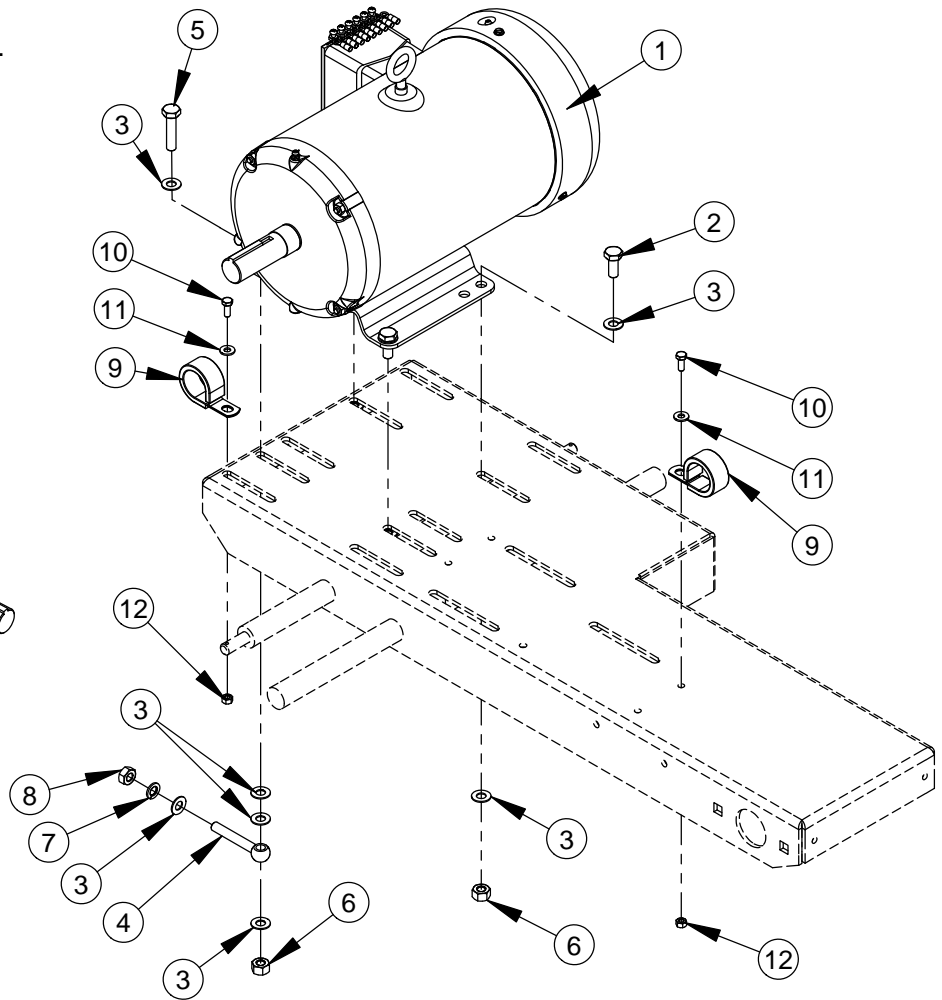
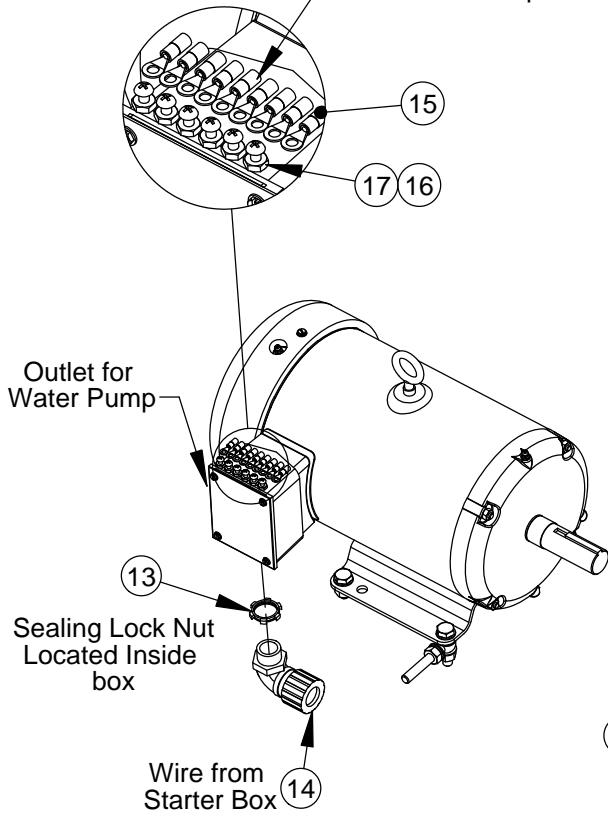


ITEM	PART NO.	QTY.	DESCRIPTION
1	2600260	1	Electric Baldor Motor, 5HP - 1PH, 230V
2	2800085	1	Transformer, 115V
3	2800253	1	Amp Meter w/ Bracket, 0-40 AC
4	1800810	1	Voltage Label, 230V
5	2900009	2	Flat Washer, 1/4" SAE
6	2900024	2	Lock Washer, 1/4" Split
7	2900008	2	Cap Screw, Hex Hd., 1/4-20 x 1"
8	2900317	1	Cap Screw, Hex Hd., M10 x 45mm
9	2900014	11	3/8" SAE Flat Washer
10	2900325	1	Hex Nut, M10-1.5
11	2900321	1	Lock Washer, M10 Split
12	2900595	1	Eyebolt, M10 x 70mm
13	2900304	4	Lock Nut, M10-1.5 Nylon Insert
14	2900333	3	Cap Screw, Hex Hd., M10-1.5 x 25mm

5HP - 3-Phase Baldor Electric Motor Assembly #6030244

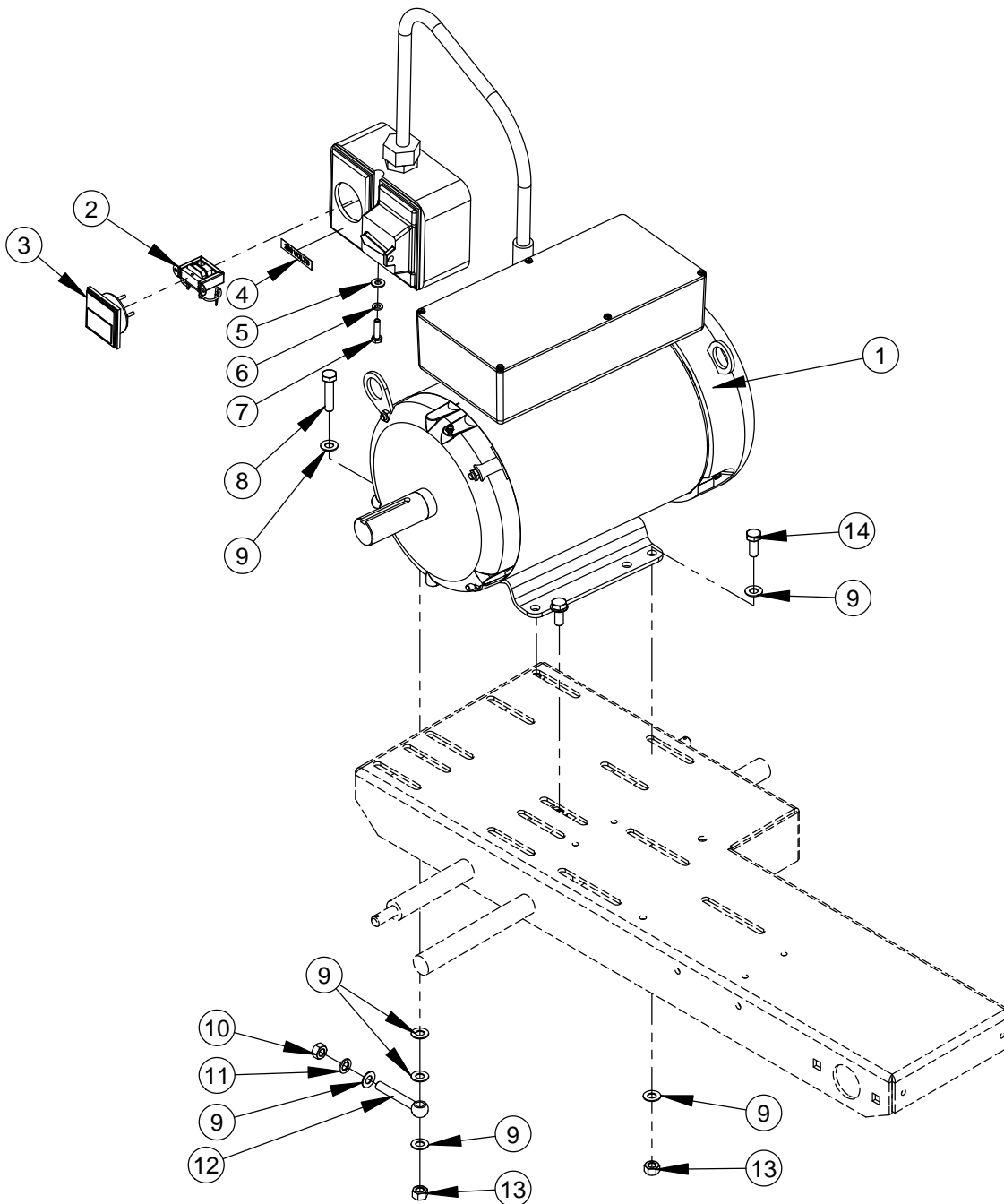
DETAIL A
SCALE 1 : 3

Crimp to each of 9 motor wires, use fasteners as required.



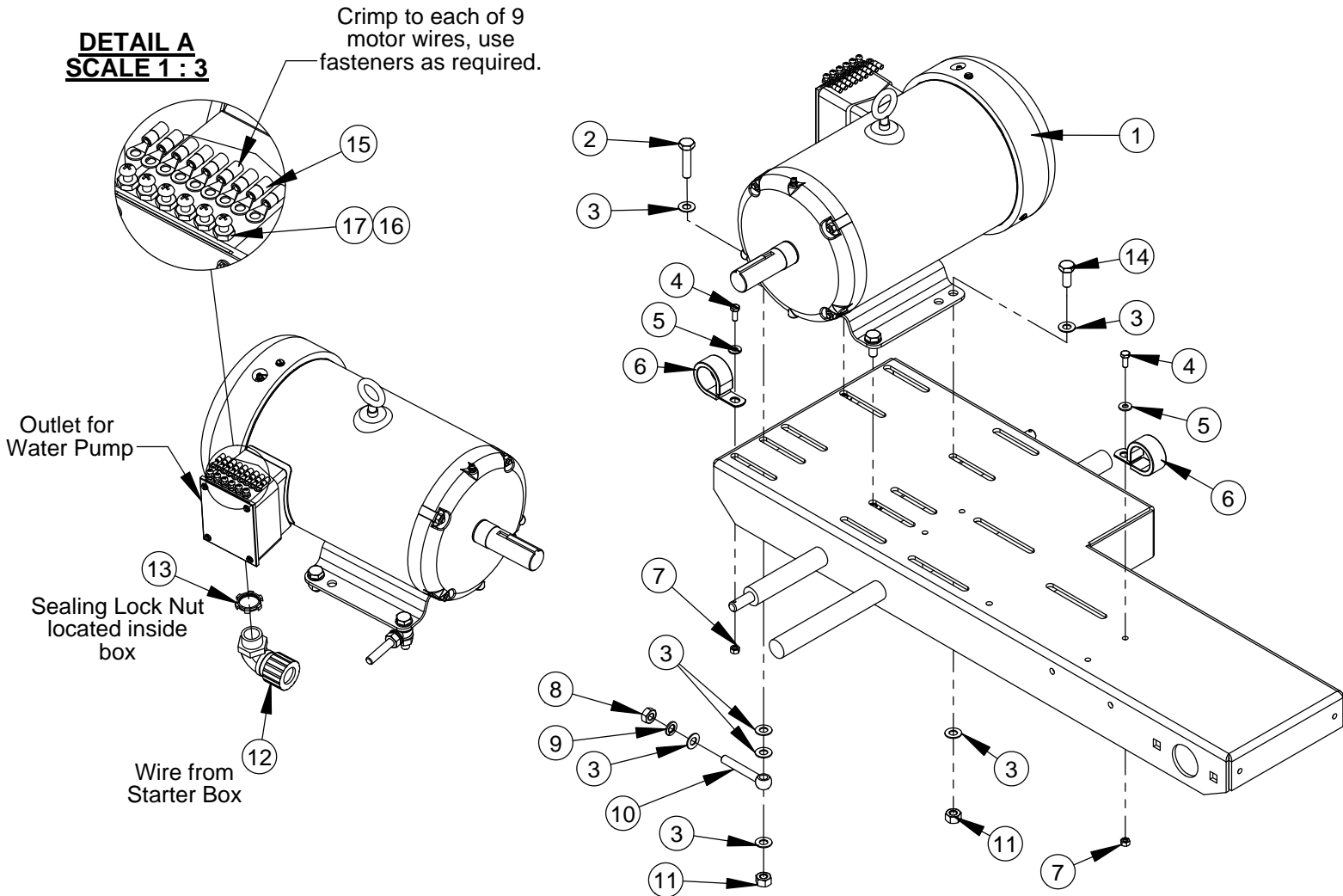
ITEM	PART NO.	QTY.	DESCRIPTION
1	2600262	1	Electric Motor 5HP-3PH Baldor
2	2900333	3	Cap Screw, Hex Hd., M10-1.5 x 25mm
3	2900014	11	3/8" SAE Flat Washer
4	2900595	1	Eyebolt, M10 x 70mm
5	2900317	1	Cap Screw, Hex Hd., M10 x 45mm
6	2900304	4	Lock Nut, M10-1.5 Nylon Insert
7	2900321	1	Lock Washer, M10 Split
8	2900325	1	Hex Nut, M10-1.5
9	2504923	2	Hose Clamp, 1 1/4" x 1/2" Wide
10	2900341	2	Cap Screw, Hex Hd., M6-1.0 x 16mm
11	2900009	2	Flat Washer, 1/4" SAE
12	2900302	2	Lock Nut, M6-1.0 Nylon Insert
13	2800050	1	Lock Nut, 3/4" Sealing
14	2802052	1	Cord Connector, 3/4" Thd., .63-75" Cord, 90 Deg.
15	2800083	9	Terminal, #10 Ring (16-14 AWG) Blue
16	2900114	6	Machine Screw, Rd. Hd., #8-32 x 3/8"
17	2900115	6	Lock Nut, #8-32 Nylon

7.5HP - Single Phase Baldor Electric Motor Assembly #6030245



ITEM	PART NO.	QTY.	DESCRIPTION
1	2600261	1	7.25HP - 1 Phase Electric Baldor Motor
2	2800085	1	Transformer, 115V
3	2800253	1	Amp Meter w/ Bracket, 0-40 AC
4	1800810	1	Voltage Label, 230V
5	2900009	2	Flat Washer, 1/4" SAE
6	2900024	2	Lock Washer, 1/4" Split
7	2900008	2	Cap Screw, Hex Hd., 1/4-20 x 1"
8	2900317	1	Cap Screw, Hex Hd., M10 x 45mm
9	2900014	11	3/8" SAE Flat Washer
10	2900325	1	Hex Nut, M10-1.5
11	2900321	1	Lock Washer, M10 Split
12	2900595	1	Eyebolt, M10 x 70mm
13	2900304	4	Lock Nut, M10-1.5 Nylon Insert
14	2900333	3	Cap Screw, Hex Hd., M10-1.5 x 25mm

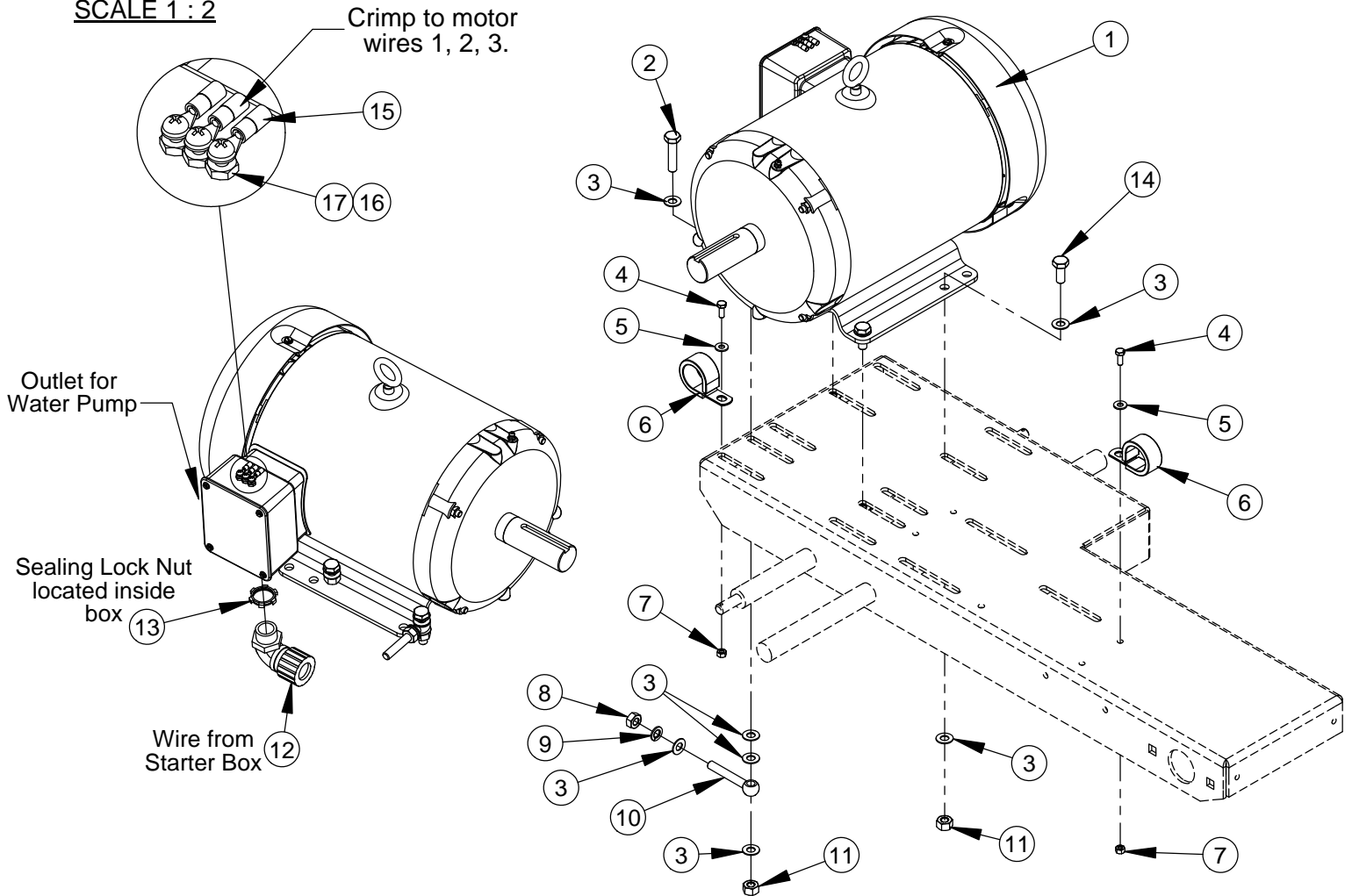
7.5 HP - 3-Phase Baldor Electric Motor Assembly #6030246



ITEM	PART NO.	QTY.	DESCRIPTION
1	2601709	1	Electric Motor 7.5HP-3PH Baldor
2	2900317	1	Cap Screw, Hex Hd., M10 x 45mm
3	2900014	11	3/8" SAE Flat Washer
4	2900341	2	Cap Screw, Hex Hd., M6-1.0 x 16mm
5	2900009	2	Flat Washer, 1/4" SAE
6	2504923	2	Hose Clamp, 1 1/4" x 1/2" Wide
7	2900302	2	Lock Nut, M6-1.0 Nylon Insert
8	2900325	1	Hex Nut, M10-1.5
9	2900321	1	Lock Washer, M10 Split
10	2900595	1	Eyebolt, M10 x 70mm
11	2900304	4	Lock Nut, M10-1.5 Nylon Insert
12	2802052	1	Cord Connector, 3/4" Thd., .63-75" Cord, 90 Deg.
13	2800050	1	Lock Nut, 3/4" Sealing
14	2900333	3	Cap Screw, Hex Hd., M10-1.5 x 25mm
15	2800083	9	Terminal, #10 Ring (16-14 AWG) Blue
16	2900114	6	Machine Screw, Rd. Hd., #8-32 x 3/8"
17	2900115	6	Lock Nut, #8-32 Nylon

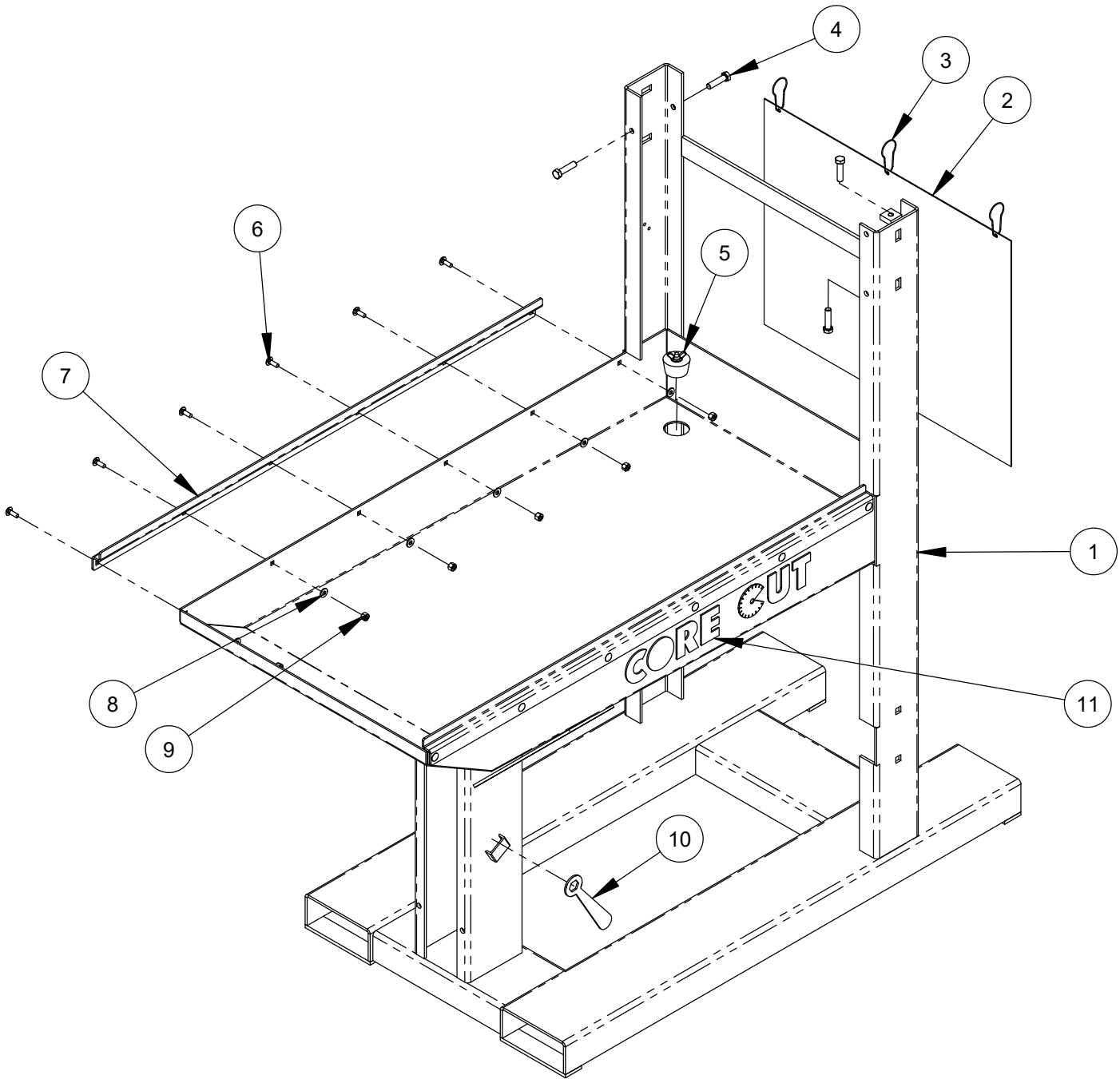
7.5HP - 3-Phase Baldor Electric Motor Assembly (380V) #6030332

DETAIL A
SCALE 1 : 2



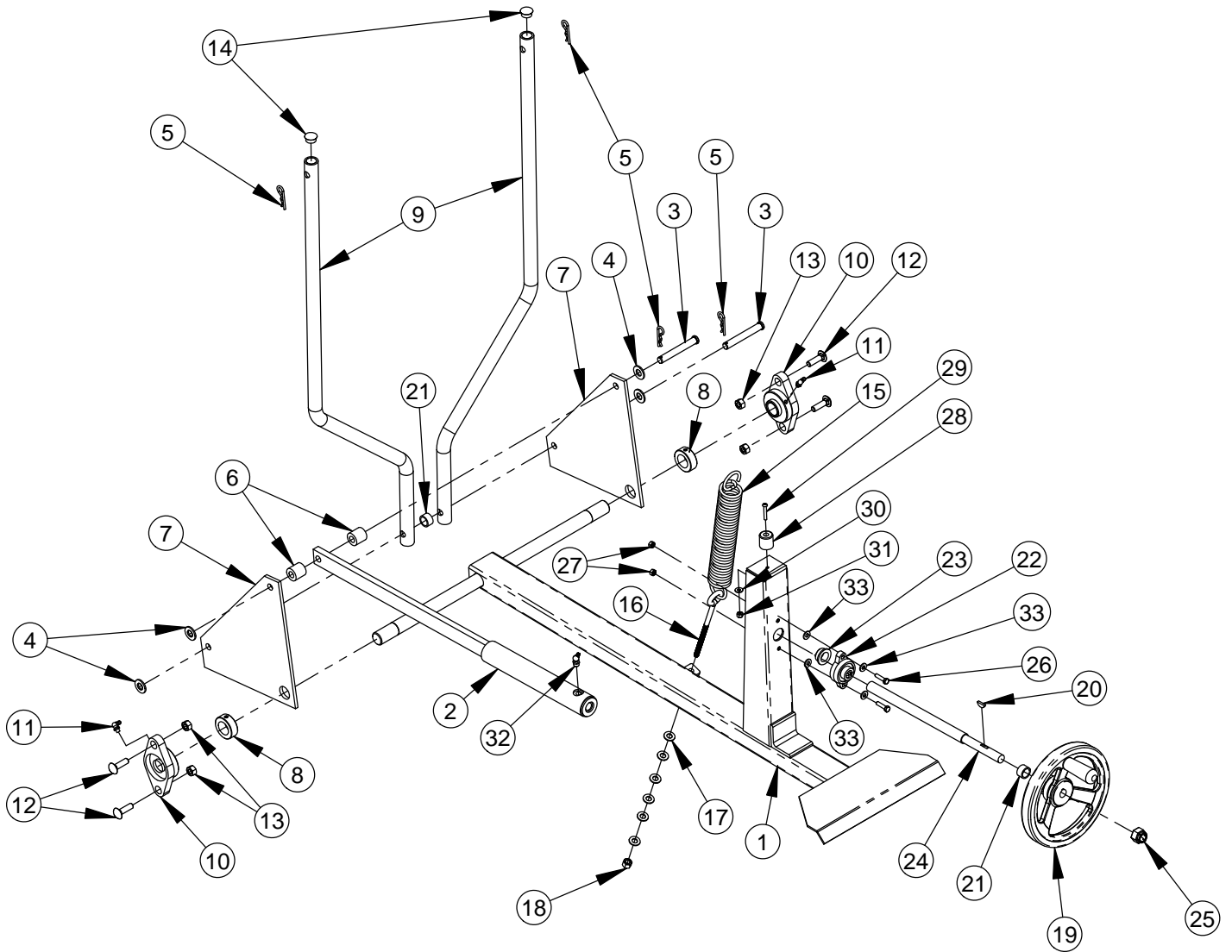
ITEM	PART NO.	QTY.	DESCRIPTION
1	2600048	1	Electric Baldor Motor 7.5HP 3PH 380V
2	2900317	1	Cap Screw, Hex Hd., M10 x 45mm
3	2900014	11	3/8" SAE Flat Washer
4	2900341	2	Cap Screw, Hex Hd., M6-1.0 x 16mm
5	2900009	2	Flat Washer, 1/4" SAE
6	2504923	2	Hose Clamp, 1 1/4" x 1/2" Wide
7	2900302	2	Lock Nut, M6-1.0 Nylon Insert
8	2900325	1	Hex Nut, M10-1.5
9	2900321	1	Lock Washer, M10 Split
10	2900595	1	Eyebolt, M10 x 70mm
11	2900304	4	Lock Nut, M10-1.5 Nylon Insert
12	2802052	1	Cord Connector, 3/4" Thd., .63-75" Cord, 90 Deg.
13	2800050	1	Lock Nut, 3/4" Sealing
14	2900333	3	Cap Screw, Hex Hd., M10-1.5 x 25mm
15	2800083	3	Terminal, #10 Ring (16-14 AWG) Blue
16	2900114	3	Machine Screw, Rd. Hd., #8-32 x 3/8"
17	2900115	3	Lock Nut, #8-32 Nylon

CC800M Block Saw Frame Assembly #6030237



ITEM	PART NO.	QTY.	DESCRIPTION
1	6030222	1	CC800 Frame Weldment
2	6030165	1	Splash Curtain, Block Saw
3	2500816	3	Curtain Ring, 1"
4	2900674	4	Cap Screw, Hex Hd., 3/8-24 X 1-1/2"
5	2500580	1	Plug, Rubber Drain
6	2900591	12	Carriage Bolt 0.25-20x0.75x0.75-N
7	6030129	2	Block Saw Rail
8	2900009	12	Flat Washer, 1/4" SAE
9	2900010	12	Lock Nut, 1/4-20 Nylon
10	6030021	1	Hex Wrench, 3/4"
11	1800660	2	Core Cut Decal

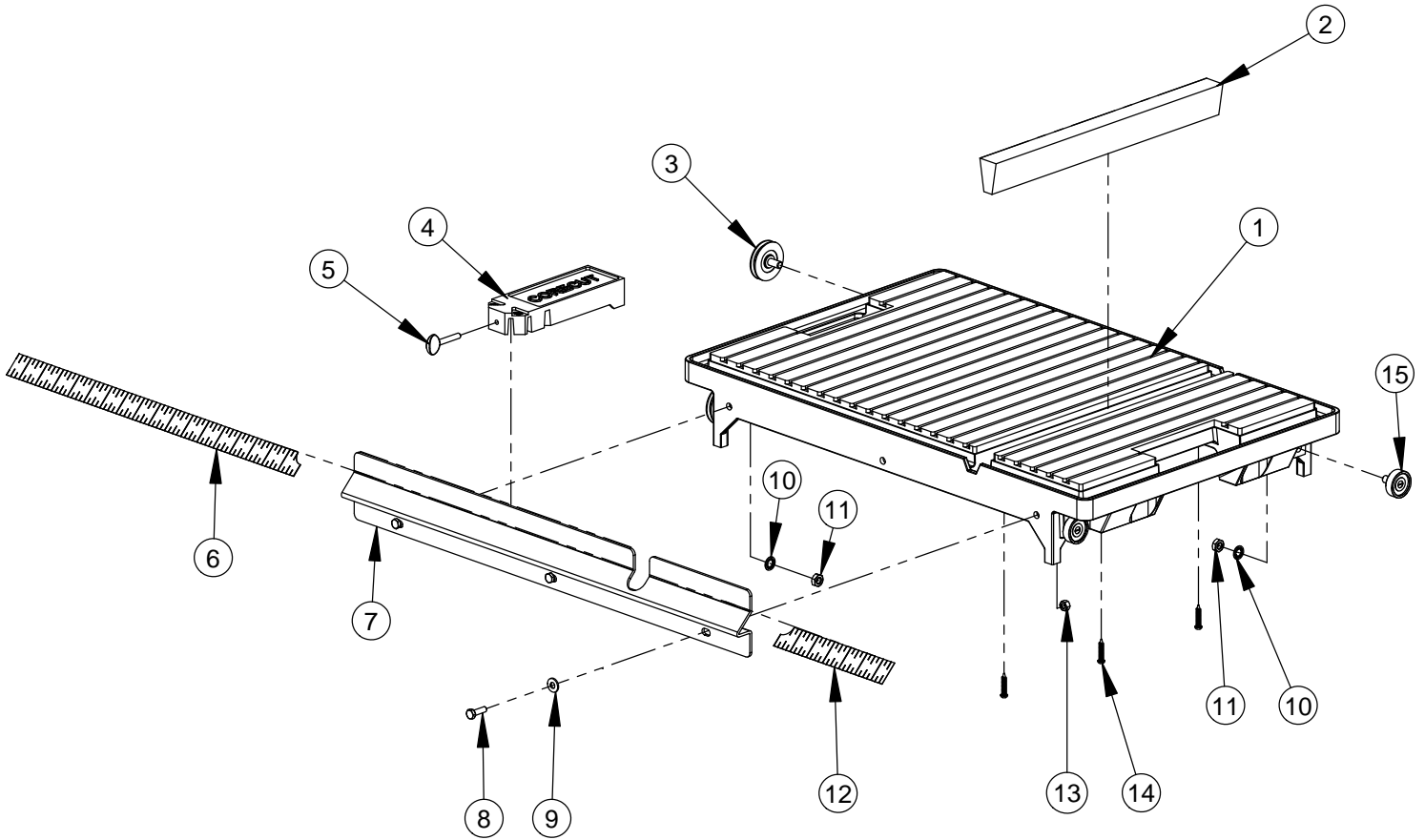
Foot Pedal Assembly #6030150



Foot Pedal Assembly #6030150

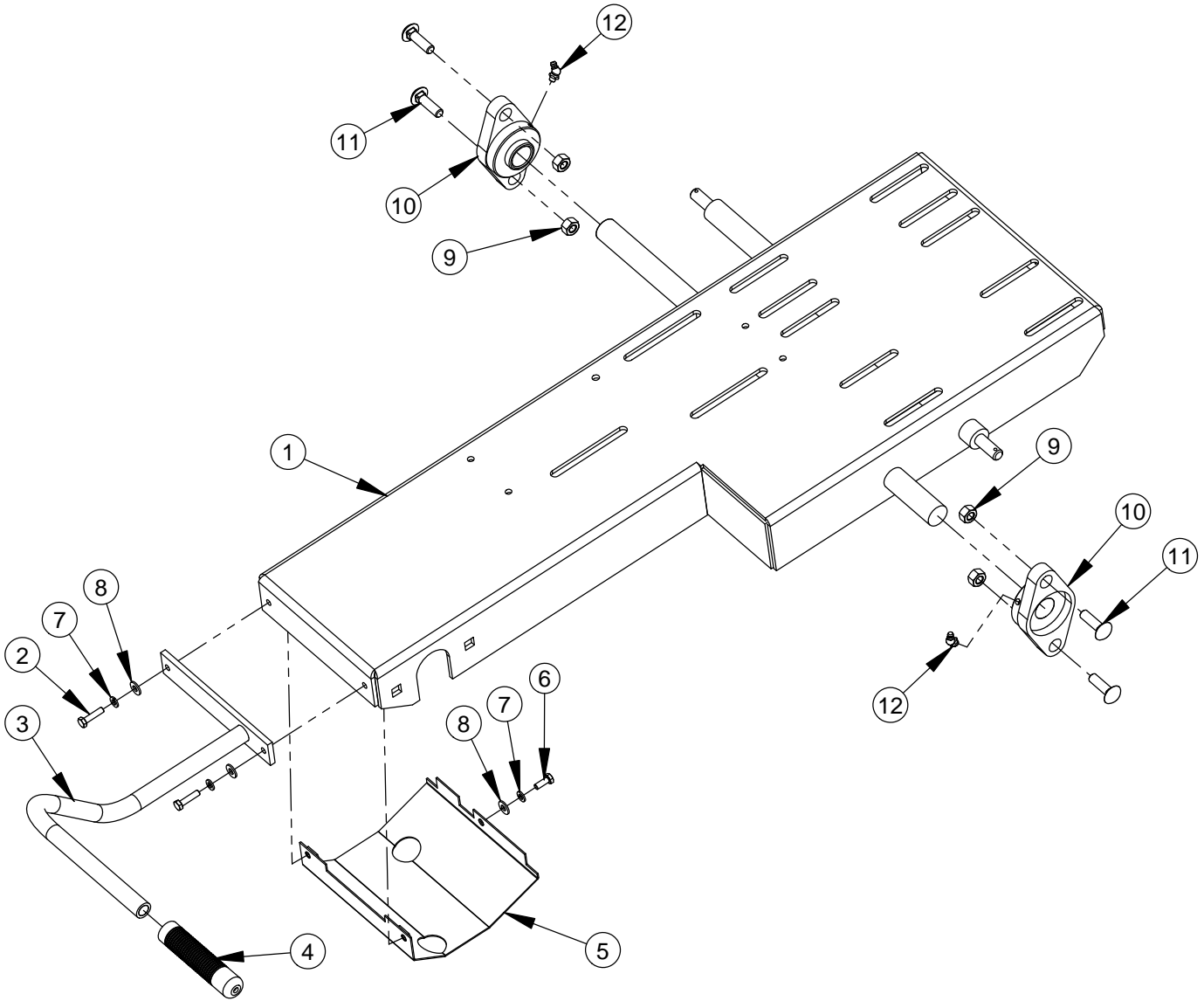
ITEM	PART NO.	QTY.	DESCRIPTION
1	6030112	1	Foot Pedal Assy. (Weldment)
2	6030113	1	Adjustment Shaft
3	2900590	2	1/2" x 3-1/2" Clevis Pin
4	2900058	4	Flat Washer, 1/2" SAE
5	2900276	4	Hairpin Cotter, 1/8" x 1/2" to 3/4"
6	6030126	2	Spacer, 1"
7	6030125	2	Pivot Plate, Block Saw
8	2502143	2	Set Collar, 1-1/16"
9	6030376	2	Connection Rod Arm
10	2500012	2	Bearing-1" Flange
11	2900061	2	Grease Fitting, 1/4-28 x 90 Degree
12	2900372	4	Carriage Bolt M10 x 35
13	2900304	4	Lock Nut, M10-1.5 Nylon Insert
14	2500463	2	Plug, 3/4" Hole
15	2500559	1	Lee Spring LE-031 D8
16	2900602	1	Eye Bolt, 3/8-16 x 6"
17	2900014	6	Flat Washer, 3/8" SAE
18	2900018	1	Locknut, 3/8-16, Nylon
19	2500800	1	Handwheel, 8" x 5/8"
20	2900352	1	Woodruff Key, 5/32 x 3/4, #506
21	6047931	2	Spacer Tube 7/8 x 1/2
22	2500807	1	Bearing, 5/8", Two Bolt Flange
23	6030167	1	Friction Screw Feed Washer
24	6047929	1	Adjustment Screw
25	2900355	1	Lock Nut, 5/8-18, Flex Top
26	2900311	2	Cap Screw, Hex Hd., M6-1.0 x 25mm
27	2900302	2	Lock Nut, M6-1.0 Nylon Insert
28	2501093	1	Bumper, 1"
29	2900172	1	Machine Screw, Rd. Hd., #10-24 x 1-1/4"
30	2900016	1	Flat Washer, #10 USS
31	2900017	1	Lock Nut, #10-24 Nylon
32	2900193	1	Grease Fitting, 1/8" NPT x 45 degree
33	2900009	4	Flat Washer, 1/4" SAE

16 x 25 Conveyor Cart Assembly #6030130



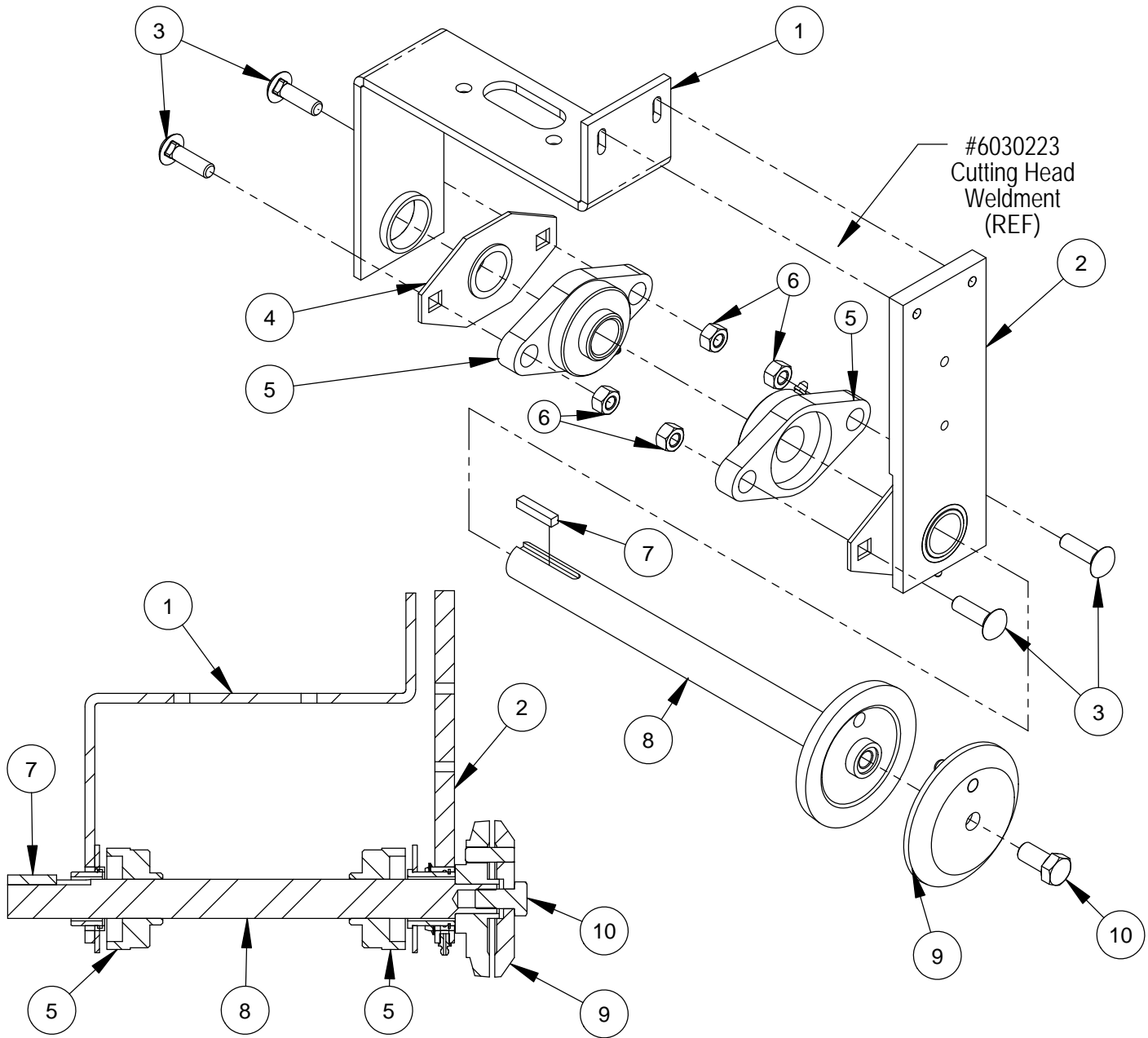
ITEM	PART NO.	QTY.	DESCRIPTION
1	6030124	1	Conveyor Cart, 16" x 25", Block Saw
2	6030164	1	16 x 25 Painted Cart Insert, Block Saw
3	2501859	2	Cart Wheel
4	6030022	1	Rip Guide (Tapped) Block Saw
5	2900540	1	Thumb Screw, M6 X 30mm
6	2501196	1	Rule, Adhesive 18" R-L
7	6030159	1	16 x 25 Measuring Stop
8	2900310	3	Cap Screw, Hex Hd., M6-1.0 x 20mm
9	2900009	3	Flat Washer, 1/4" SAE
10	2900284	4	Lock Washer, 5/16" Internal Tooth
11	2900283	4	Jam Nut, 5/16-18
12	2500659	1	Rule, Adhesive 12" L-R
13	2900302	3	Lock Nut, M6-1.0 Nylon Insert
14	2900070	3	Wood Screw, #8 X 1.00"
15	2506421	2	Cart Wheel Flat

CC800M Upper Frame - Head Weldment Assembly #6030175



ITEM	PART NO.	QTY.	DESCRIPTION
1	6030223	1	Cutting Head Weldment, CC800 Block Saw
2	2900311	2	Cap Screw, Hex Hd., M6-1.0 x 25mm
3	6030156	1	Handle Weldment
4	2500663	1	Grip
5	6030180	1	Blade Shaft Cover Plate
6	2900341	1	Cap Screw, Hex Hd., M6-1.0 x 16mm
7	2900024	3	Lock Washer, 1/4" Split
8	2900009	3	Flat Washer, 1/4" SAE
9	2900304	4	Lock Nut, M10-1.5 Nylon Insert
10	2500012	2	Bearing-1" Flange
11	2900372	4	Carriage Bolt M10 x 35
12	2900184	2	Grease Fitting, 1/4" NPT x 45 degree

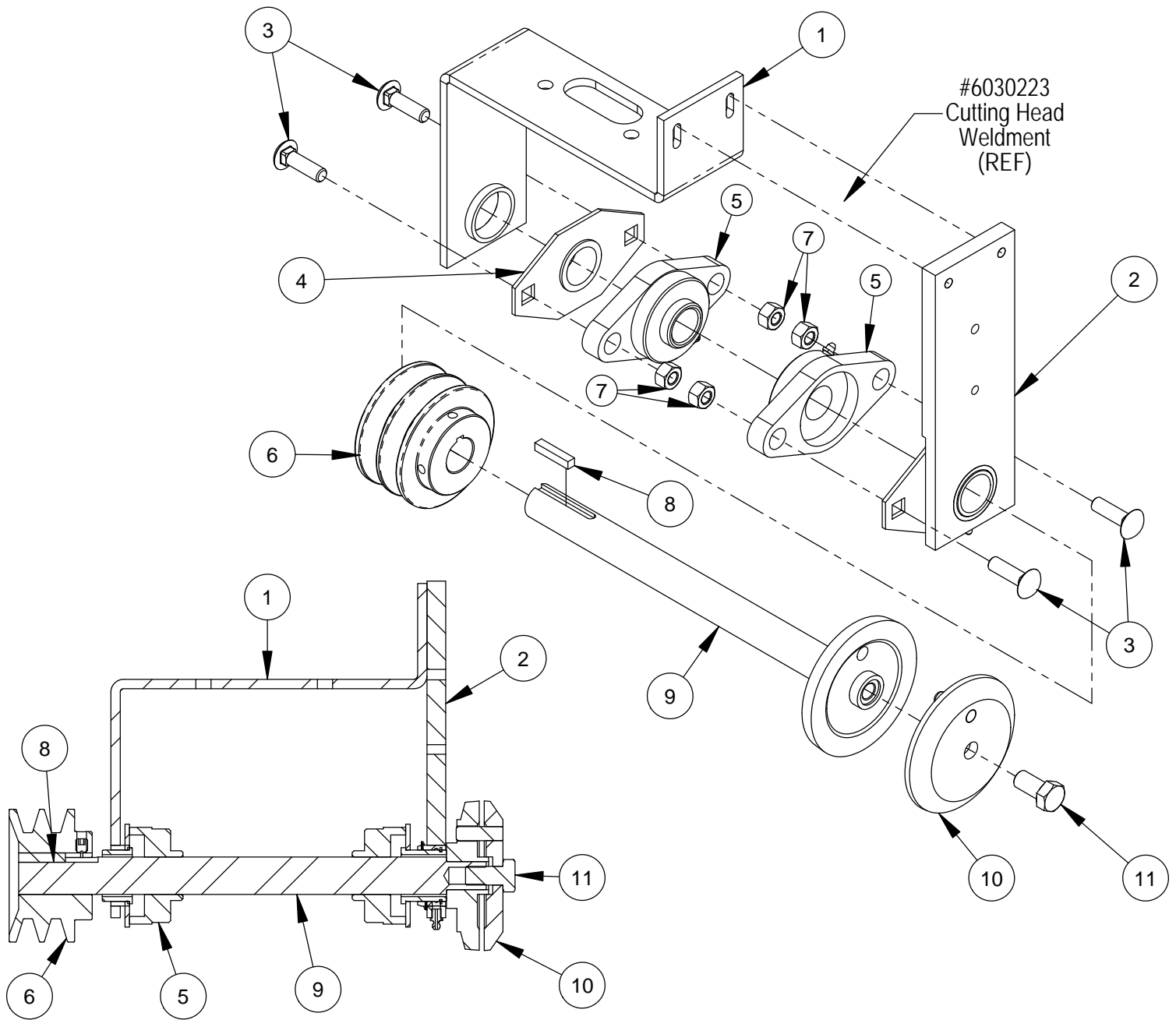
Block Saw Blade Shaft Assembly #6030444 (Without Pulley)



SECTION A-A

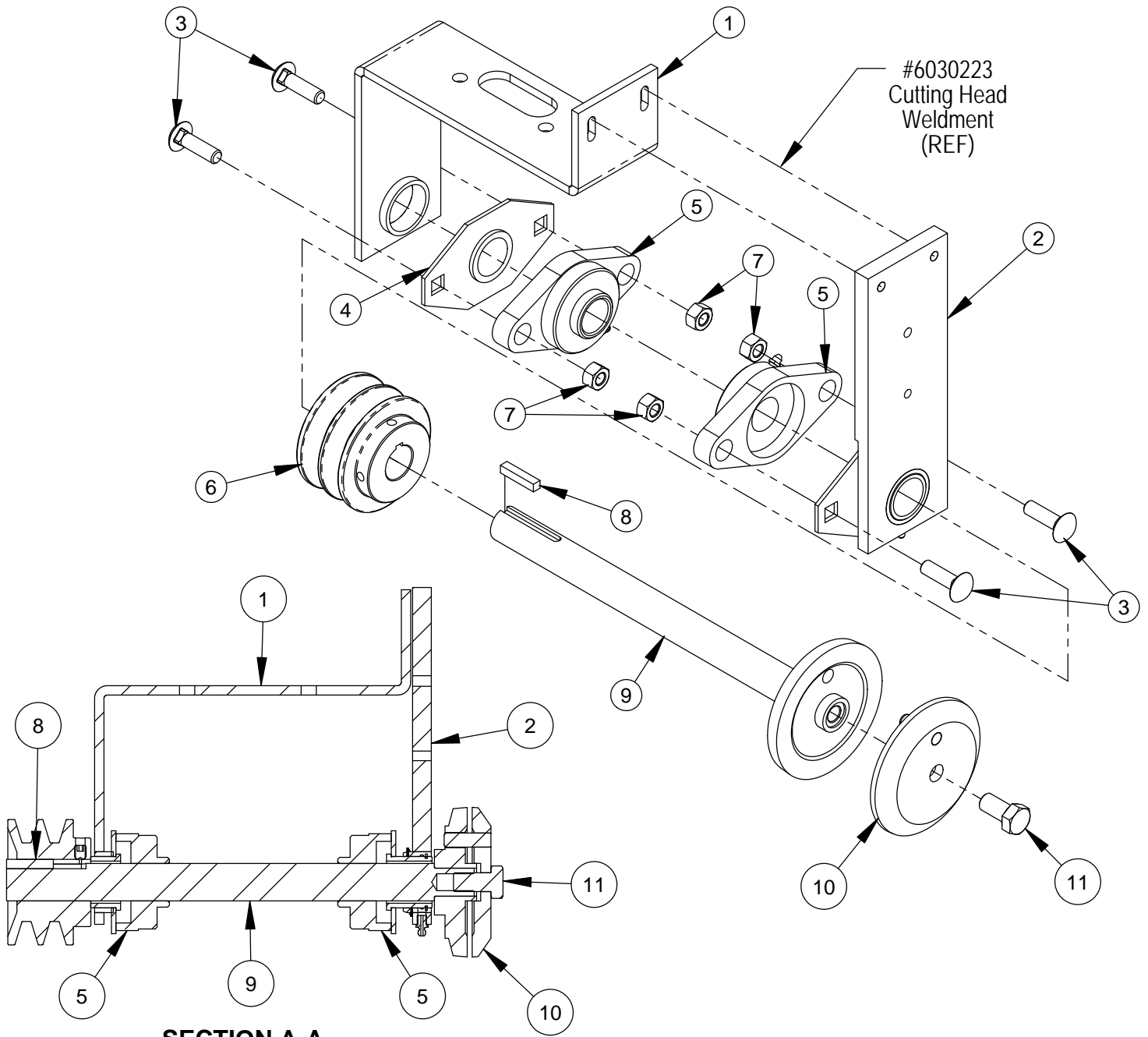
ITEM	PART NO.	QTY.	DESCRIPTION
1	6030322	1	Switch Plate Assembly
2	6030009	1	Pivot Plate Assembly
3	2900372	4	Carriage Bolt M10 x 35
4	6030122	1	Blade Guard Pivot Spacer
5	2500012	2	Bearing-1" Flange
6	2900304	4	Lock Nut, M10-1.5 Nylon Insert
7	6010169	1	Key, 1/4" Sq. x 1-1/4"
8	6030316	1	Blade Shaft Assembly
9	6030314	1	Outer Flange, 4" w/ Pin
10	2900182	1	Cap Screw, Hex Hd., 1/2-20 x 1"

Electric Block Saw Blade Shaft Assembly #6030455



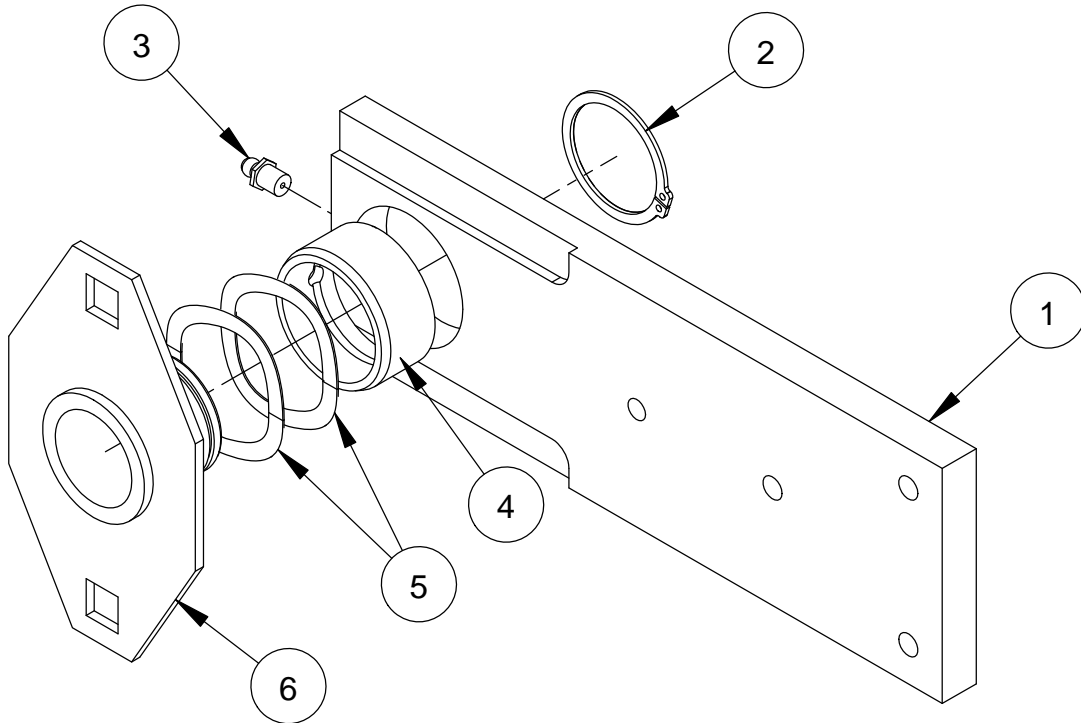
ITEM	PART NO.	QTY.	DESCRIPTION
1	6030322	1	Switch Plate Assembly
2	6030009	1	Pivot Plate Assembly
3	2900372	4	Carriage Bolt M10 x 35
4	6030122	1	Blade Guard Pivot Spacer
5	2500012	2	Bearing-1" Flange
6	2501092	1	Pulley, 2BK34X1-3.55" Double Groove w/Setscrews
7	2900304	4	Lock Nut, M10-1.5 Nylon Insert
8	6010169	1	Key, 1/4" Sq. x 1-1/4"
9	6030316	1	Blade Shaft Assembly
10	6030314	1	Outer Flange, 4" w/ Pin
11	2900182	1	Cap Screw, Hex Hd., 1/2-20 x 1"

Gas Block Saw Blade Shaft Assembly #6030456



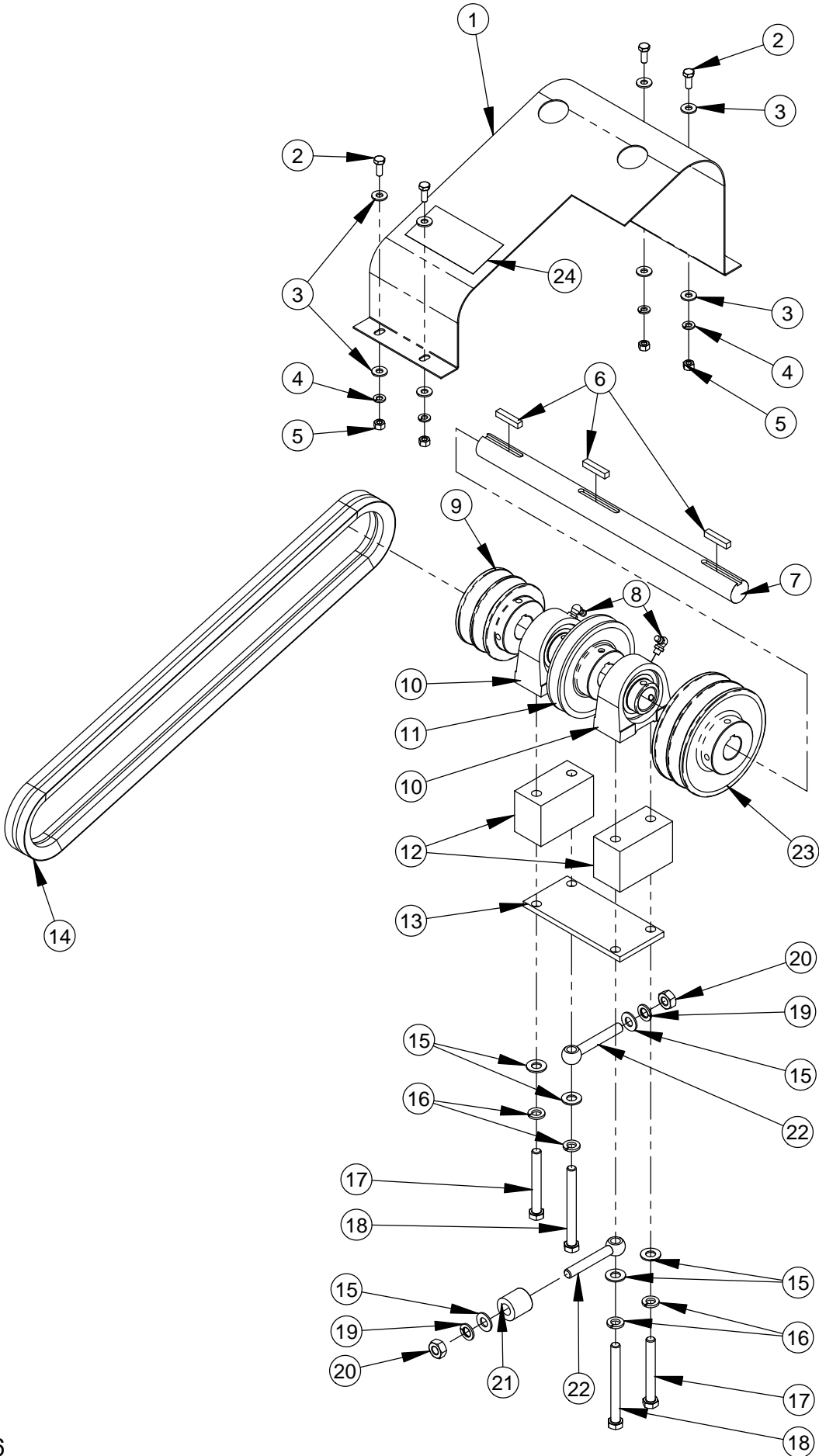
ITEM	PART NO.	QTY.	DESCRIPTION
1	6030322	1	Switch Plate Assembly
2	6030009	1	Pivot Plate Assembly
3	2900372	4	Carriage Bolt M10 x 35
4	6030122	1	Blade Guard Pivot Spacer
5	2500012	2	Bearing-1" Flange
6	2501362	1	Pulley, 2BK32X1"-3.35" Double Groove w/Setscrews
7	2900304	4	Lock Nut, M10-1.5 Nylon Insert
8	6010169	1	Key, 1/4" Sq. x 1-1/4"
9	6030316	1	Blade Shaft Assembly
10	6030314	1	Outer Flange, 4" w/ Pin
11	2900182	1	Cap Screw, Hex Hd., 1/2-20 x 1"

Pivot Plate Assembly #6030009



ITEM	PART NO.	QTY.	DESCRIPTION
1	6030057	1	Blade Guard Pivot Plate
2	2400090	1	Retaining Ring, 1-3/8
3	2900614	1	Grease Fitting, 1/4-28 Str. Thrd
4	6030367	1	Bearing
5	2501173	2	Wave Disc Spring, 1-3/8"
6	6030000	1	Blade Guard Pivot Spacer

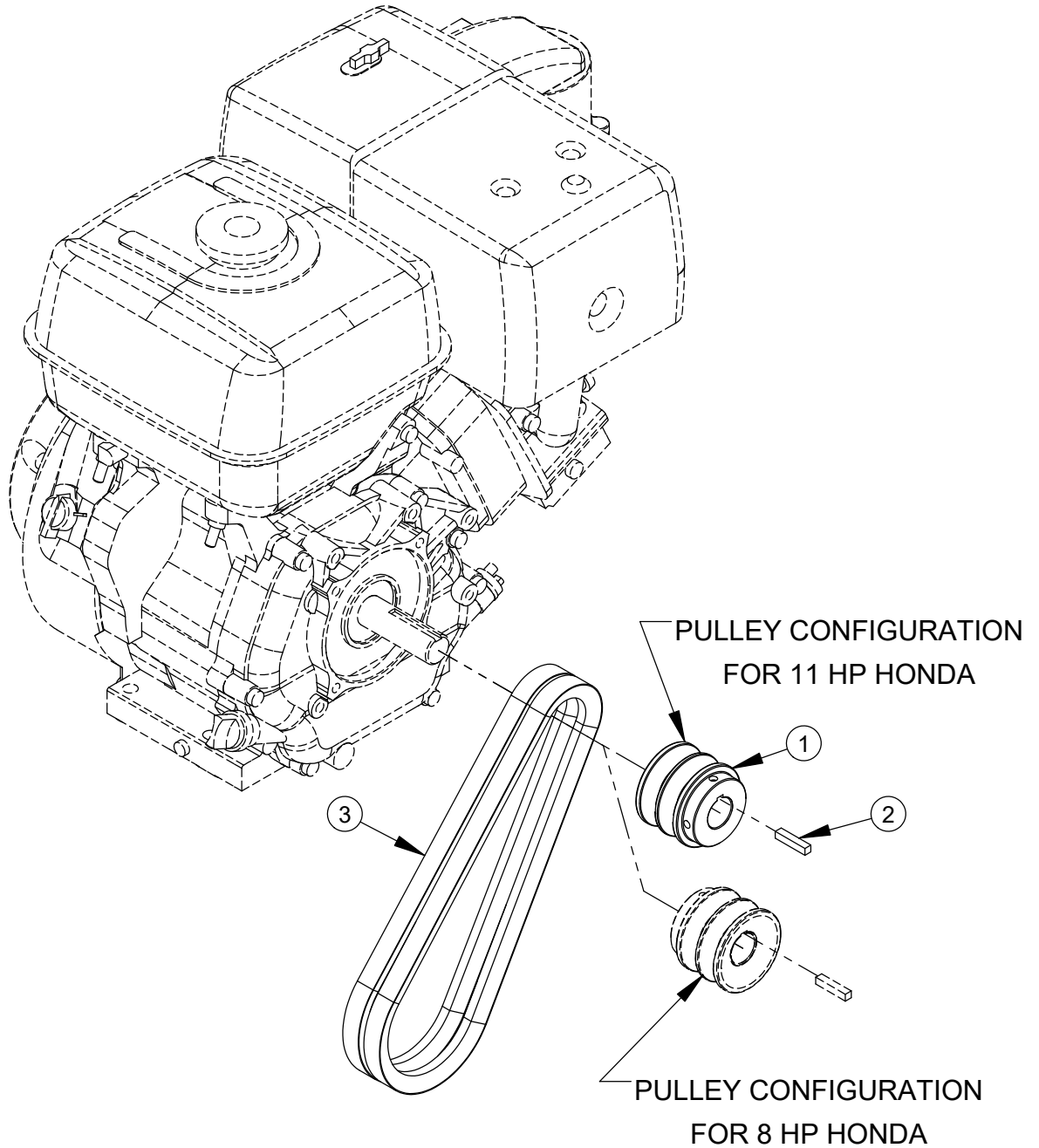
Gas Block Saw Jackshaft Assembly #6030149



Gas Block Saw Jackshaft Assembly #6030149

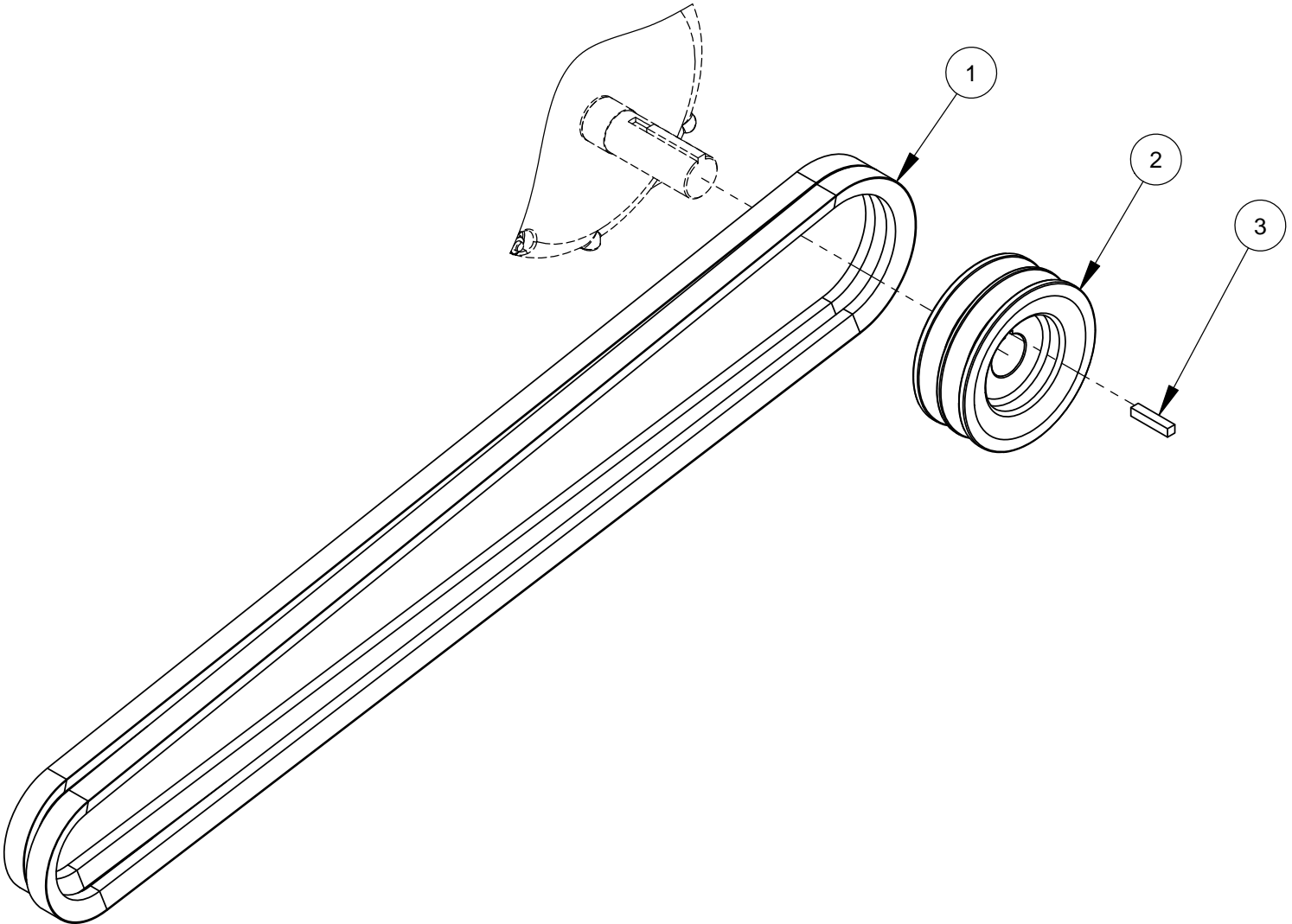
ITEM	PART NO.	Default/QT Y.	DESCRIPTION
1	6030139	1	Jack Shaft Guard, Block Saw
2	2900341	4	Cap Screw, Hex Hd., M6-1.0 x 16mm
3	2900009	8	Flat Washer, 1/4" SAE
4	2900024	4	Lock Washer, 1/4" Split
5	2900302	4	Lock Nut, M6-1.0 Nylon Insert
6	6010169	3	Key, 1/4" Sq. x 1-1/4"
7	6030158	1	Jack Shaft, Block Saw #2
8	2900061	2	Grease Fitting, 1/4-28 x 90 Degree
9	2501362	1	Pulley, 2BK32X1"-3.35" Double Groove w/Setscrews
10	2500732	2	Pillow Block Bearing 1"
11	2501193	1	Pulley, 4.25" Single Groove w/Setscrew
12	6030157	2	Jack Shaft Bearing Spacer
13	6030161	1	Plate
14	2501099	2	V-Belt BX44
15	2900014	6	Flat Washer, 3/8" SAE
16	2900006	4	Lock Washer, 3/8" Split
17	2900035	2	Cap Screw, Hex Hd., 3/8-16 x 3"
18	2900057	2	Cap Screw, Hex Hd., 3/8-16 x 3-3/4"
19	2900321	2	Lock Washer, M10 Split
20	2900325	2	Hex Nut, M10-1.5
21	6030126	1	Spacer, 1"
22	2900595	2	Eyebolt, M10 x 70mm
23	2501100	1	Pulley, 2BK50X1"-4.75" Double Groove w/Setscrews
24	1800648	1	Exposed Pulley Warning Label

CC800M Gas Engine Belt Drive Assembly #6030330



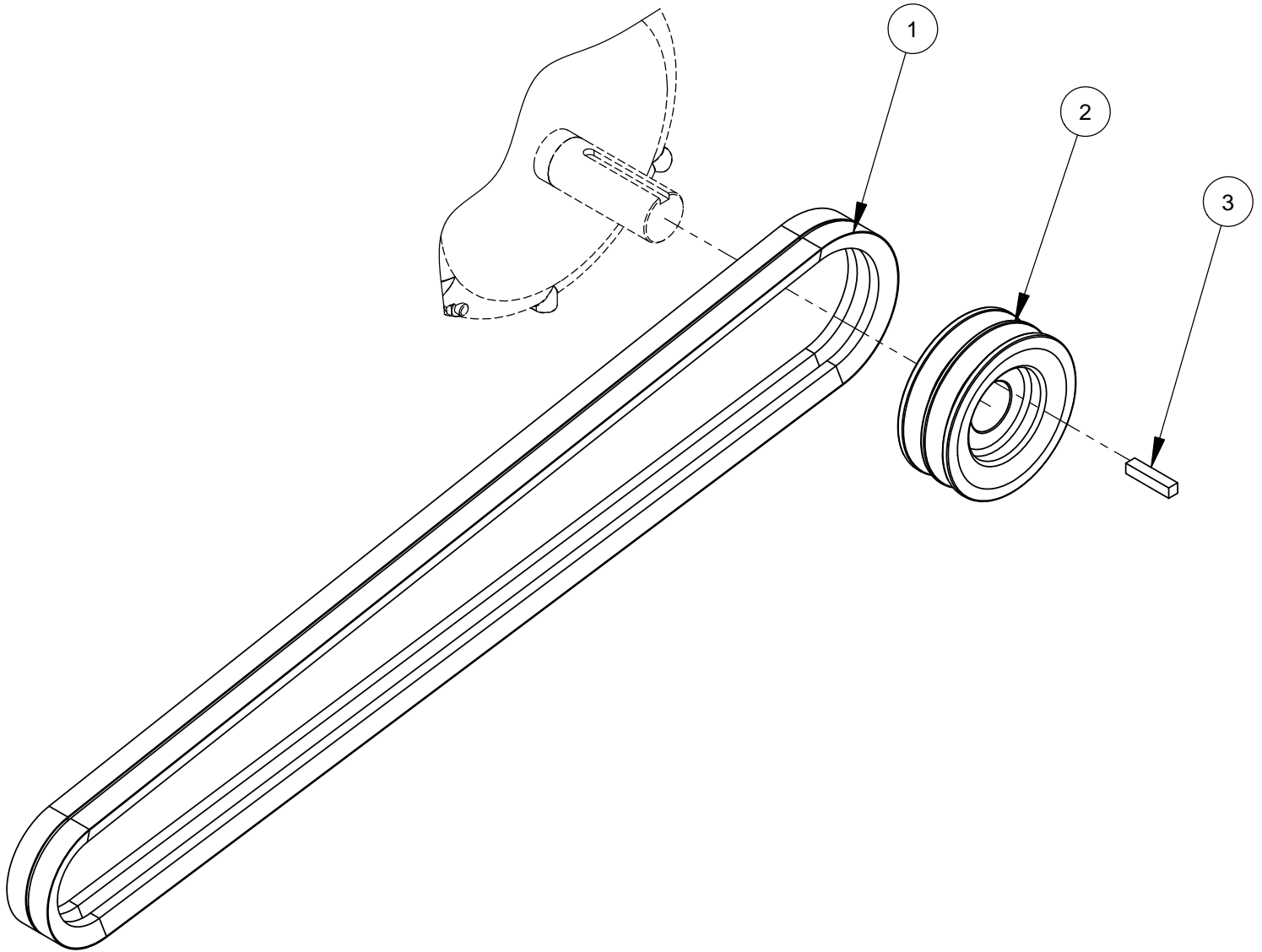
ITEM	PART NO.	QTY.	DESCRIPTION
1	2501210	1	Pulley, 2BK27X1"-2.70" Double Groove w/Setscrews
2	6010169	1	Key, 1/4" Sq. x 1-1/4"
3	2501098	2	V-Belt BX28

CC800M Electric Motor Belt Drive Assembly # 6030333
5HP 1Phase and 3 Phase



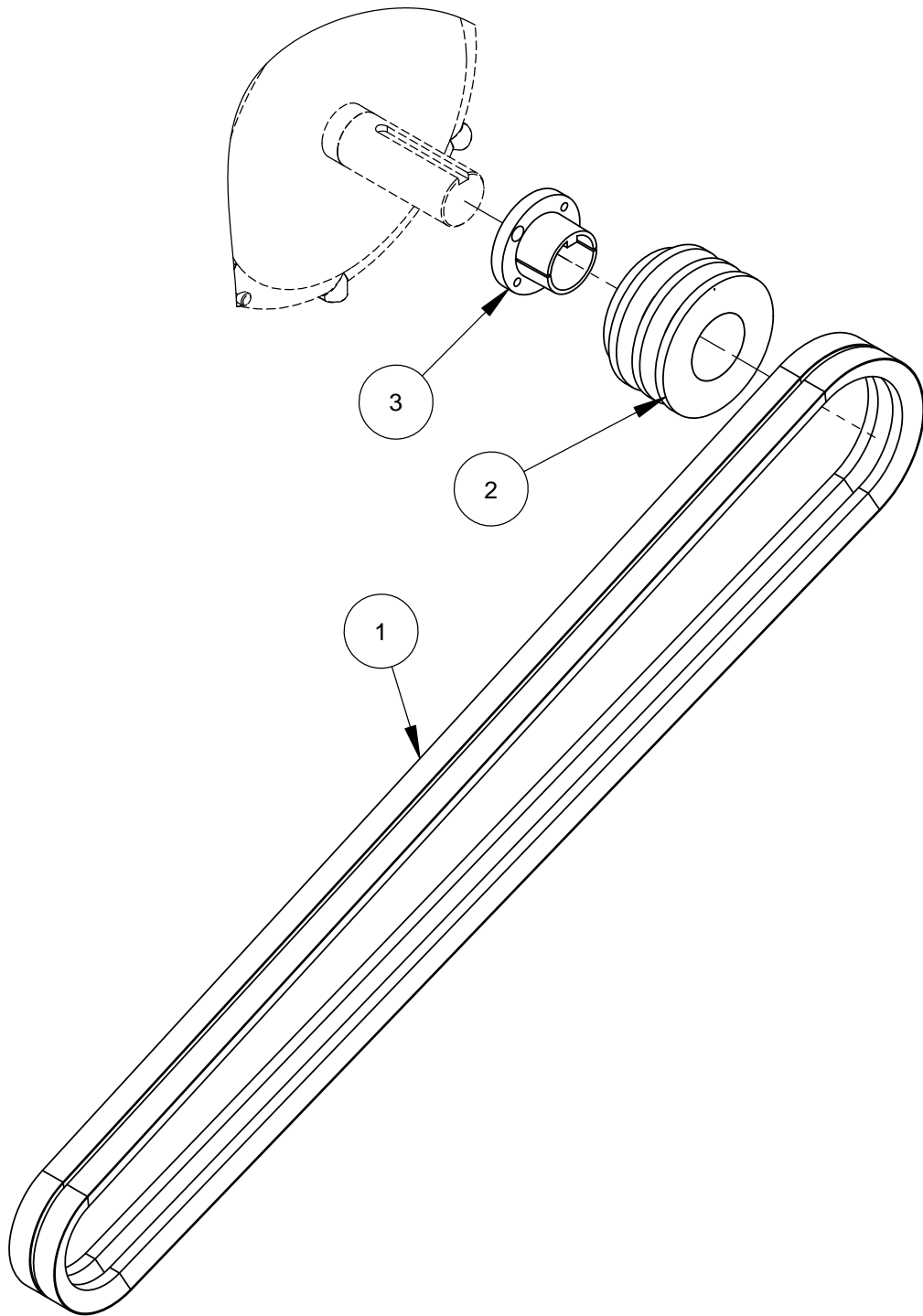
ITEM	PART NO.	QTY.	DESCRIPTION
1	2501089	2	V-Belt BX64
2	2501090	1	Pulley, 2BK45X1-1/8"-4.5" Double Groove w/Setscrews
3	6010169	1	Key, 1/4" Sq. x 1-1/4"

CC800M Electric Motor Belt Drive Assembly # 6030334
7.5HP with 20" Blade



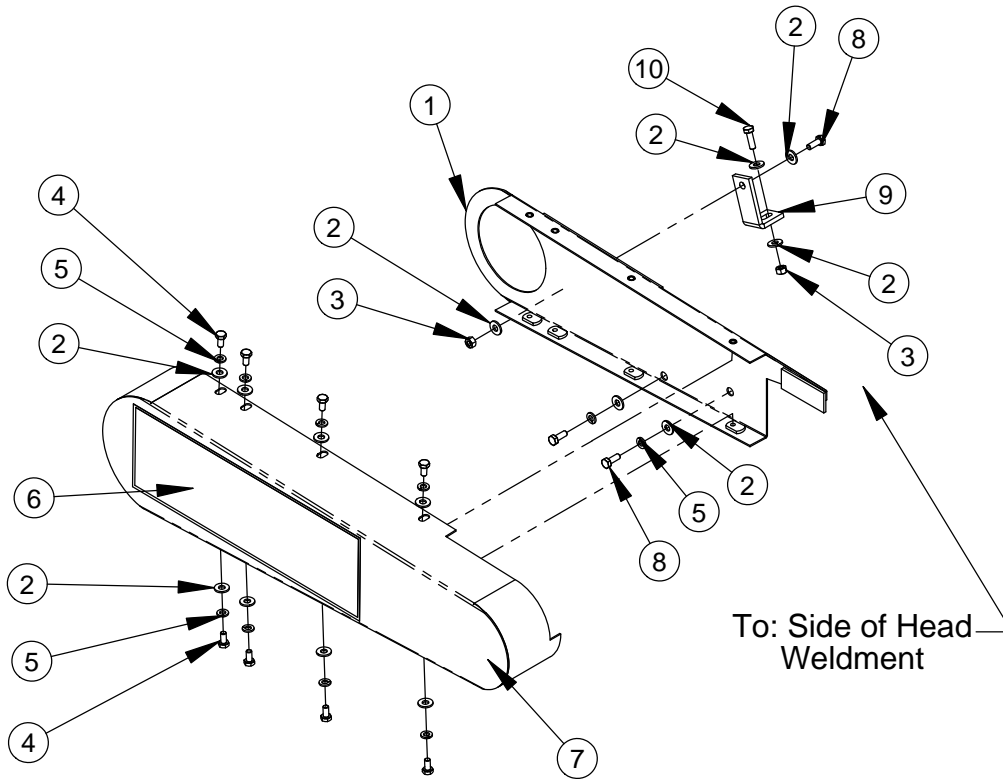
ITEM	PART NO.	QTY.	DESCRIPTION
1	2501089	2	V-Belt BX64
2	2501091	1	Pulley, 2BK45X1- 1 3/8"-4.5" Double Groove w/Setscrews
3	6048046	1	Key, 5/16" Sq. x 1-1/2"

CC800M Electric Motor Belt Drive Assembly #6030335
7.5HP with 24" Blade



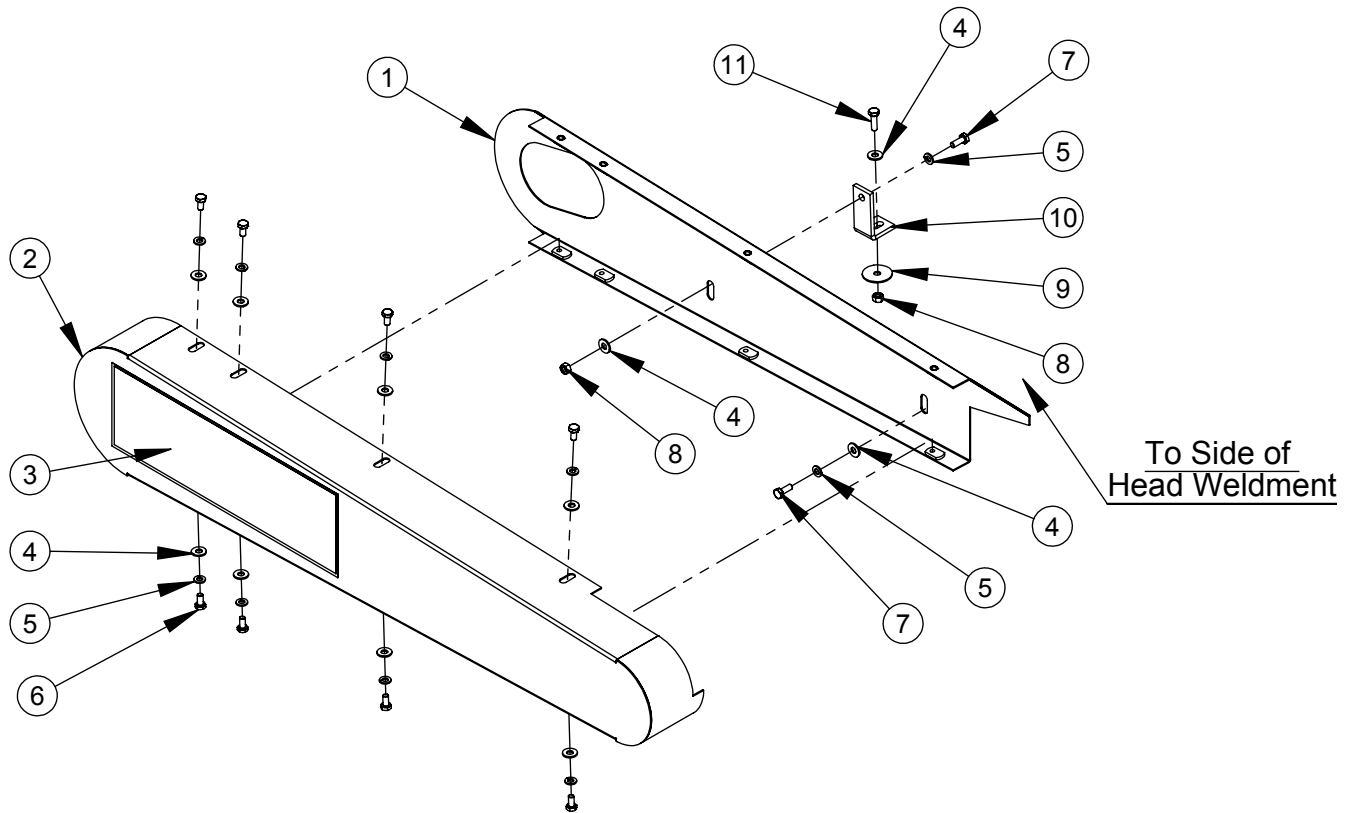
ITEM	PART NO.	Default/QTY.	DESCRIPTION
1	2505151	2	V-Belt BX63
2	2505152	1	Sheave
3	2505156	1	Bushing, Taper H 1 - 3/8" with Key

Belt Guard Assembly #6030147 - CC800M Gas Engine Only



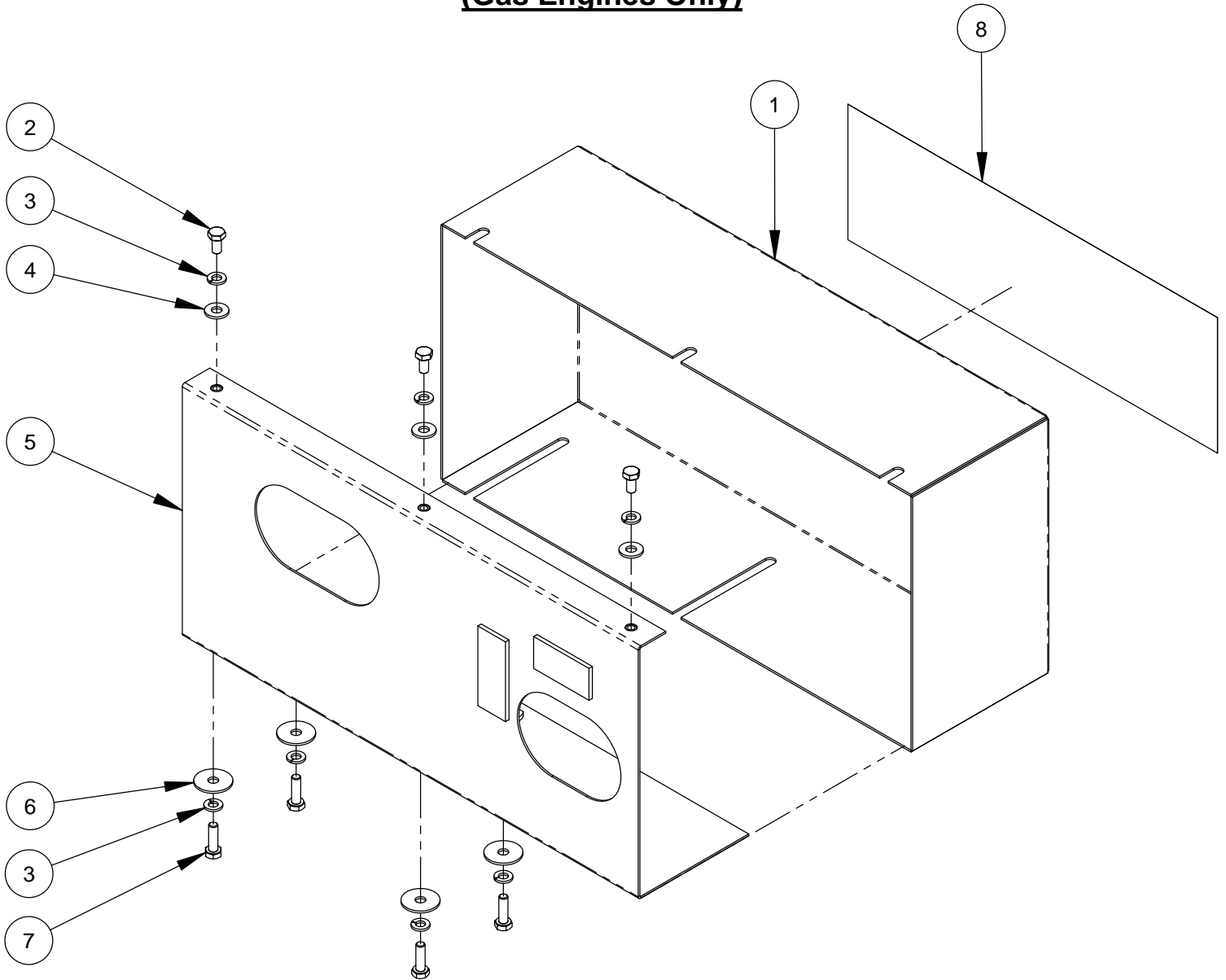
ITEM	PART NO.	QTY.	DESCRIPTION
1	6030136	1	Belt Guard Bracket, Block Saw, Gas
2	2900009	14	Flat Washer, 1/4" SAE
3	2900302	2	Lock Nut, M6-1.0 Nylon Insert
4	2900544	8	Cap Screw, Hex Hd., M6-1.0 x 12mm
5	2900024	10	Lock Washer, 1/4" Split
6	1800529	1	CC800M Decal
7	6030135	1	Belt Guard Weldment, Block Saw, Gas
8	2900341	3	Cap Screw, Hex Hd., M6-1.0 x 16mm
9	6030065	1	Belt Guard Brace
10	2900310	1	Cap Screw, Hex Hd., M6-1.0 x 20mm

**CC800M Belt Guard Assembly #6030153
(Electric Models Only)**



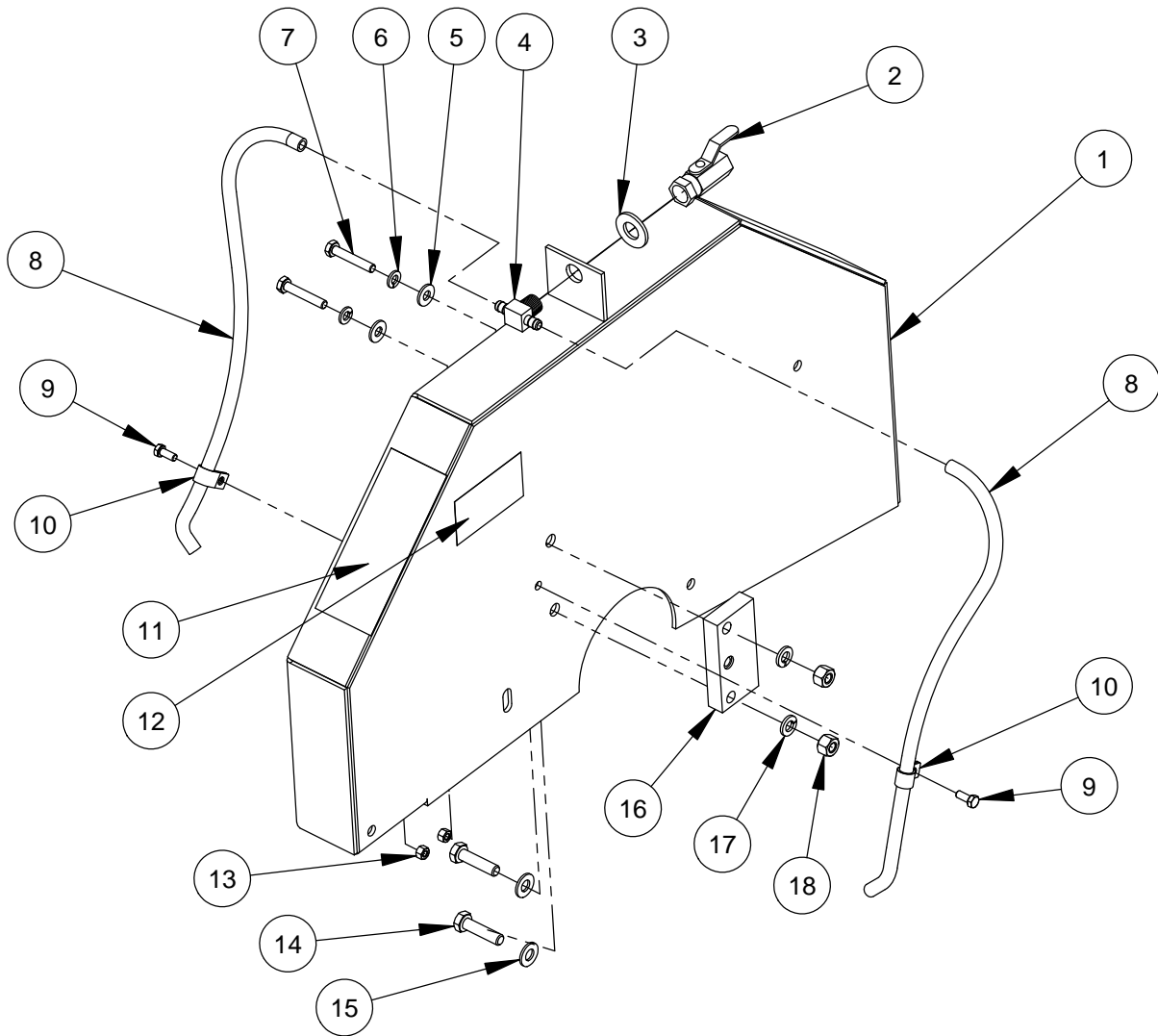
ITEM	PART NO.	QTY.	DESCRIPTION
1	6030116	1	Belt Guard Bracket, Block Saw (Elec.)
2	6030115	1	Belt Guard Block Saw (Electric)
3	1800529	1	CC800M Decal
4	2900009	11	Flat Washer, 1/4" SAE
5	2900024	10	Lock Washer, 1/4" Split
6	2900544	8	Cap Screw, Hex Hd., M6-1.0 x 12mm
7	2900341	2	Cap Screw, Hex Hd., M6-1.0 x 16mm
8	2900302	2	Lock Nut, M6-1.0 Nylon Insert
9	2900083	1	Fender Washer, 1/4" x 1-1/4"
10	6030065	1	Belt Guard Brace
11	2900310	1	Cap Screw, Hex Hd., M6-1.0 x 20mm

Jackshaft Belt Guard Assembly #6030148
(Gas Engines Only)



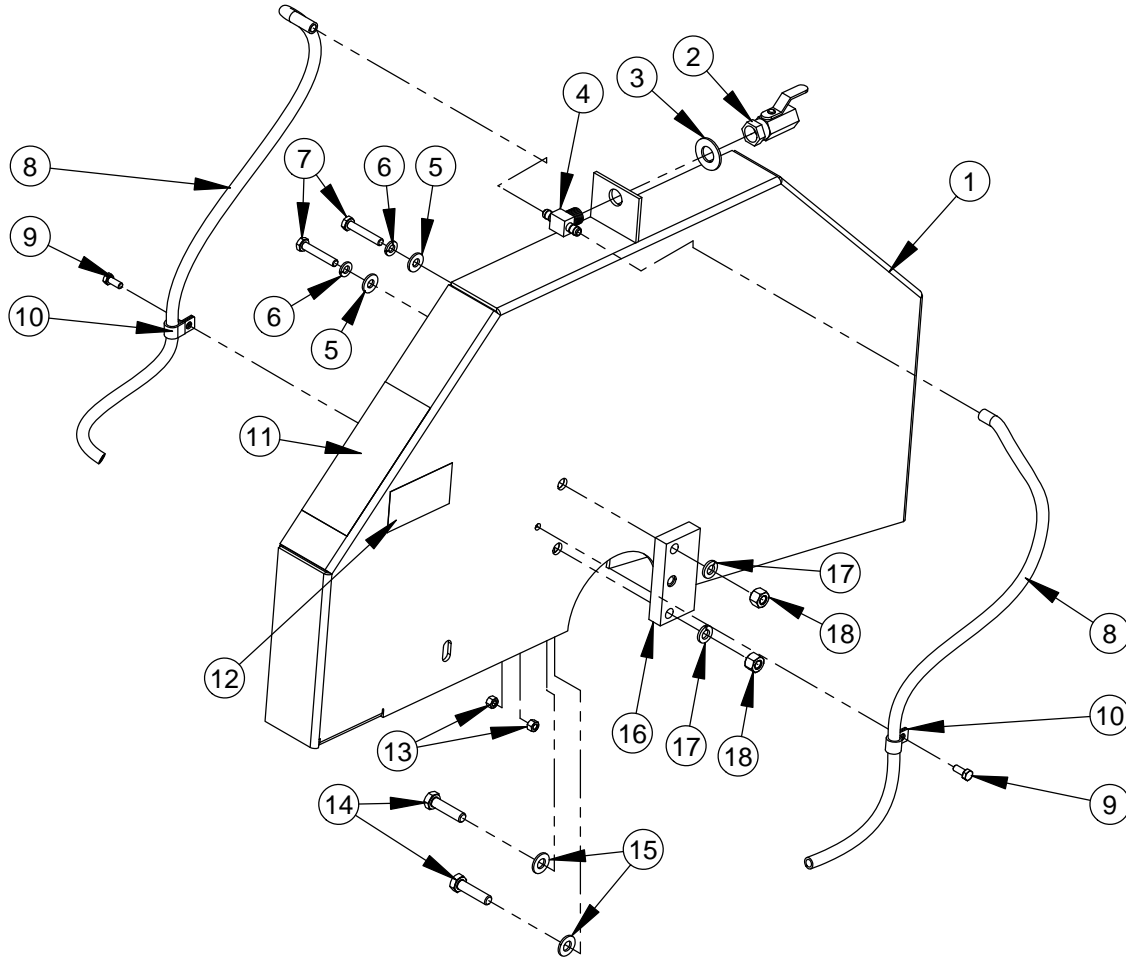
ITEM	PART NO.	QTY.	DESCRIPTION
1	6030137	1	Belt Guard, Gas Block Saw
2	2900544	3	Cap Screw, Hex Hd., M6-1.0 x 12mm
3	2900024	7	Lock Washer, 1/4" Split
4	2900009	3	Flat Washer, 1/4" SAE
5	6030138	1	Belt Guard Bracket, Block Saw #2
6	2900083	4	Fender Washer, 1/4" I.D. x 1-1/4" O.D.
7	2900310	4	Cap Screw, Hex Hd., M6-1.0 x 20mm
8	1800529	1	CC800M Decal

20" Blade Guard Assembly #6030151



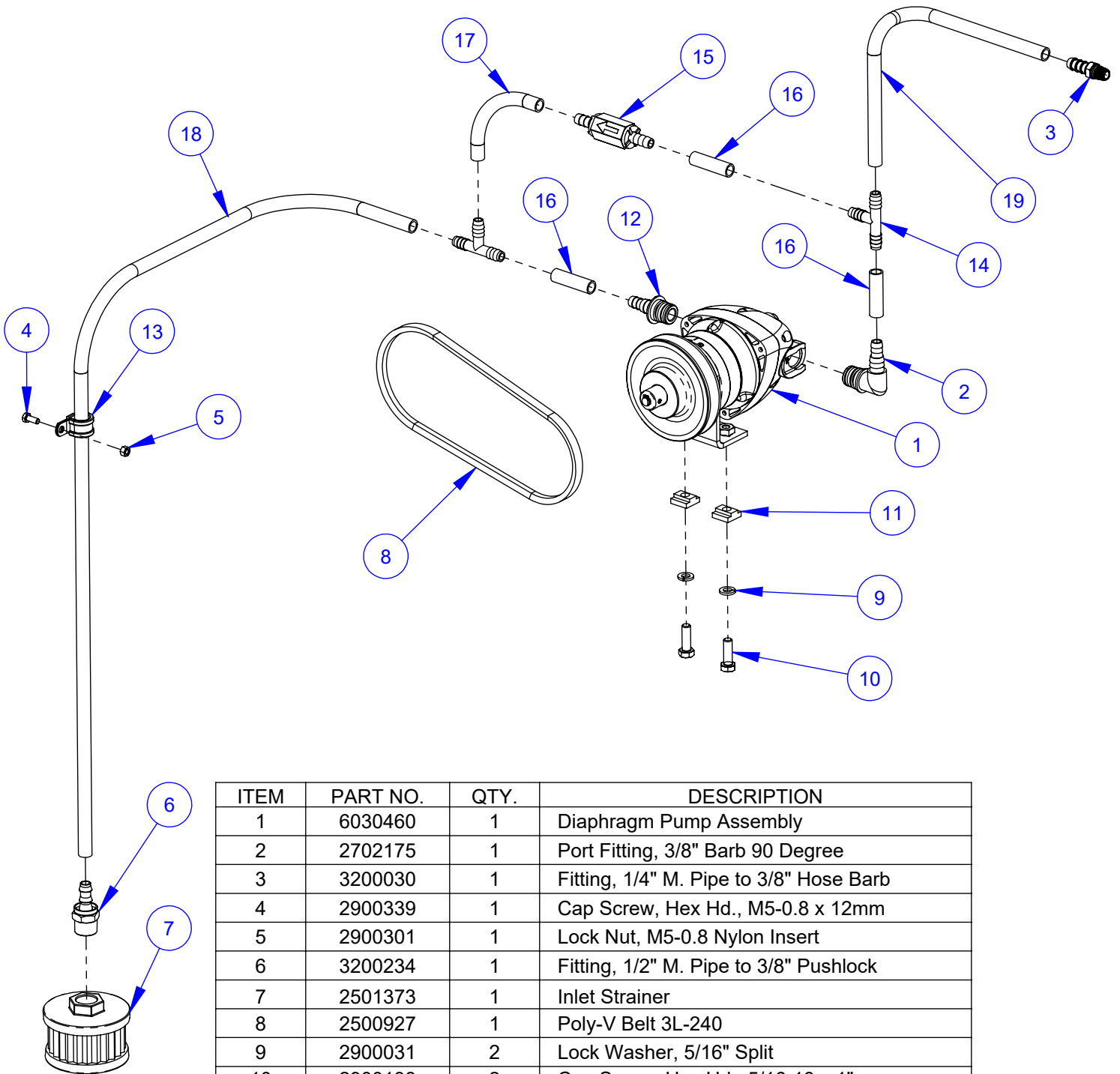
ITEM	PART NO.	QTY.	DESCRIPTION
1	6030143	1	20" Blade Guard
2	3200233	1	Petcock, 1/4" Female Pipe
3	2900058	1	Flat Washer, 1/2" SAE
4	3200232	1	Tee, 1/4" M. Pipe to 1/4" Hose Barb
5	2900009	2	Flat Washer, 1/4" SAE
6	2900024	2	Lock Washer, 1/4" Split
7	2900312	2	Cap Screw, Hex Hd., M6-1.0 x 35mm
8	6030162	2	Water Hose, 20" Guard, Block Saw
9	2900339	2	Cap Screw, Hex Hd., M5-0.8 x 12mm
10	3200039	2	Clamp, 3/8"
11	1800001	1	Warning Label
12	1800456	2	Core Cut Blade Guard Label
13	2900301	2	Lock Nut, M5-0.8 Nylon Insert
14	2900217	2	Cap Screw, Hex Hd., 5/16-18 x 1-1/4"
15	2900022	2	Flat Washer, 5/16" SAE
16	6030356	1	Mounting Plate
17	2900031	2	Lock Washer, 5/16" Split
18	2900039	2	Lock Nut, 5/16-18 Nylon

24" Blade Guard Assembly #6030133



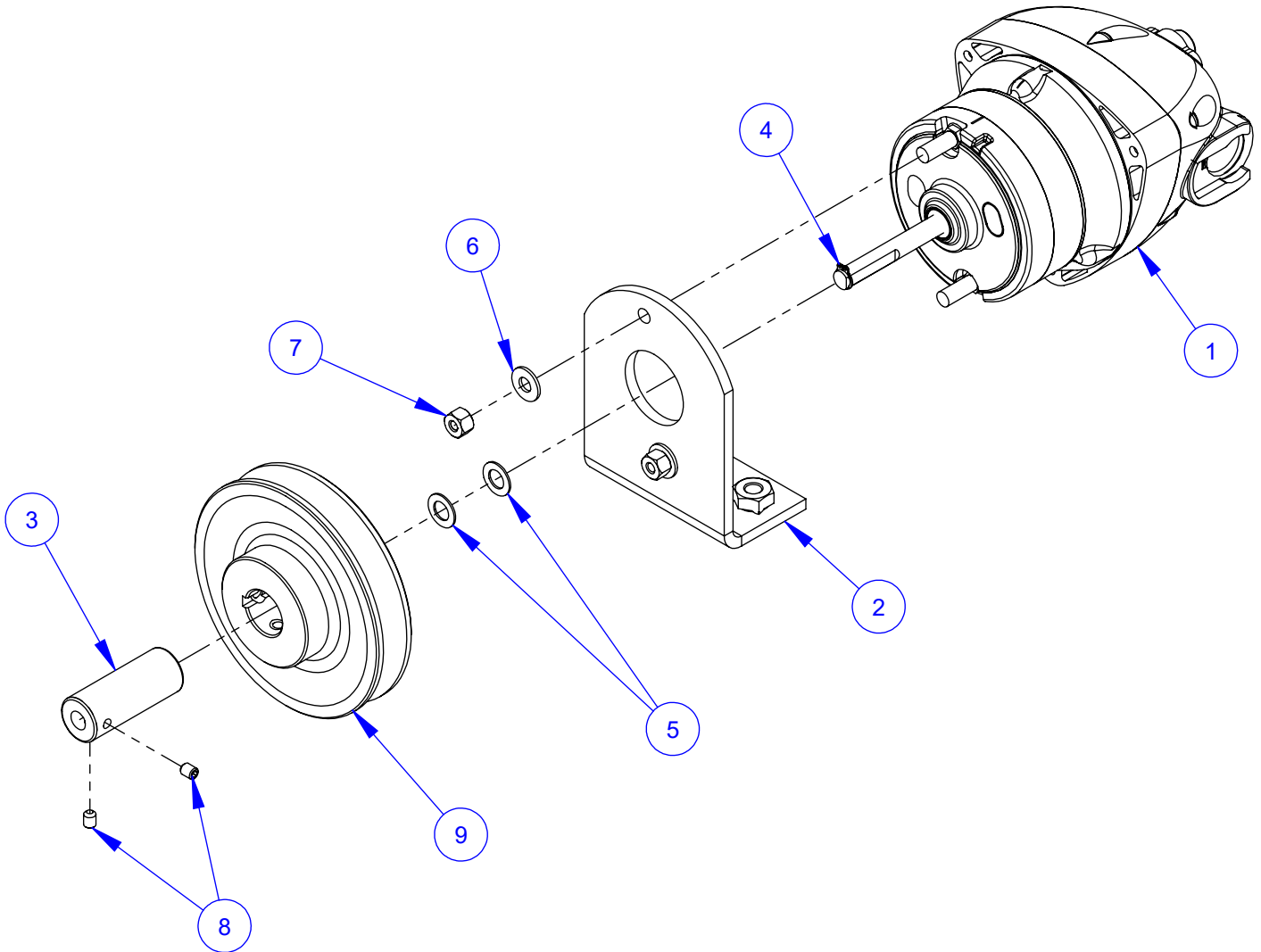
ITEM	PART NO.	QTY.	DESCRIPTION
1	6030123	1	24" BLADE GUARD
2	3200233	1	Petcock, 1/4" Female Pipe
3	2900058	1	1/2 FLAT WASHER
4	3200232	1	Tee, 1/4" M. Pipe to 1/4" Hose Barb
5	2900009	2	Flat Washer, 1/4" SAE
6	2900024	2	Lock Washer, 1/4" Split
7	2900312	2	Cap Screw, Hex Hd., M6-1.0 x 35mm
8	6030163	2	Water Hose 24" Guard
9	2900339	2	Cap Screw, Hex Hd., M5-0.8 x 12mm
10	3200039	2	Clamp, 3/8"
11	1800001	1	Warning Label
12	1800456	2	Core Cut Blade Guard Label
13	2900301	2	Lock Nut, M5-0.8 Nylon Insert
14	2900217	2	Cap Screw, Hex Hd., 5/16-18 x 1-1/4"
15	2900022	2	Flat Washer, 5/16" SAE
16	6030356	1	Mounting Plate
17	2900031	2	Lock Washer, 5/16" Split
18	2900039	2	Lock Nut, 5/16-18 Nylon

CC800M Water Pump Assembly #6030461 (Gas Engine)



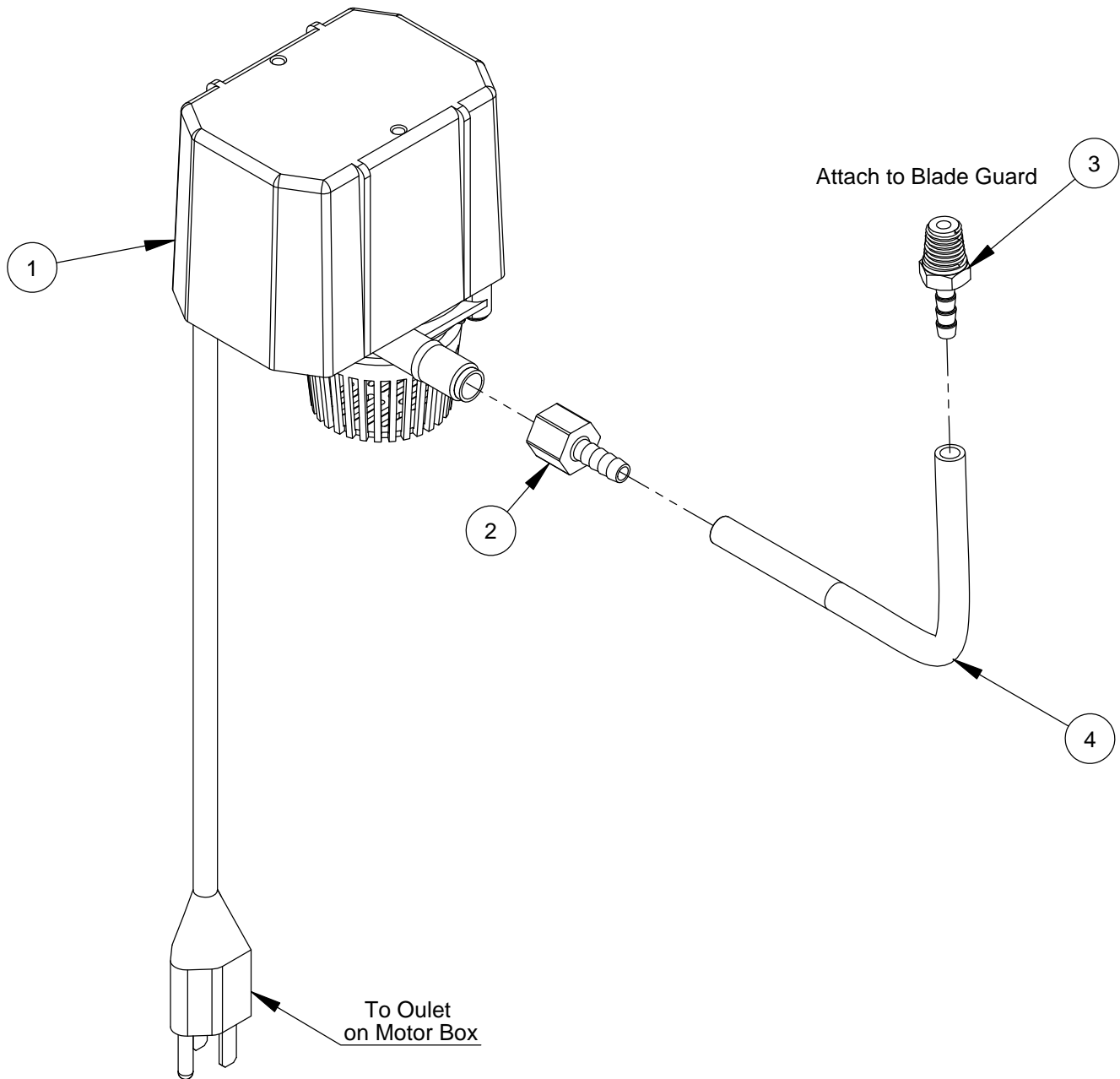
ITEM	PART NO.	QTY.	DESCRIPTION
1	6030460	1	Diaphragm Pump Assembly
2	2702175	1	Port Fitting, 3/8" Barb 90 Degree
3	3200030	1	Fitting, 1/4" M. Pipe to 3/8" Hose Barb
4	2900339	1	Cap Screw, Hex Hd., M5-0.8 x 12mm
5	2900301	1	Lock Nut, M5-0.8 Nylon Insert
6	3200234	1	Fitting, 1/2" M. Pipe to 3/8" Pushlock
7	2501373	1	Inlet Strainer
8	2500927	1	Poly-V Belt 3L-240
9	2900031	2	Lock Washer, 5/16" Split
10	2900138	2	Cap Screw, Hex Hd., 5/16-18 x 1"
11	6030344	2	Tee Washer 5/16"
12	2703662	1	Port Fitting, 3/8" Barb Straight
13	2500999	1	Clamp, 5/8" Hose
14	3202937	2	Barbed Tee, Nylon 3/8
15	3202936	1	Check Valve, 10psi cracking
16	6013219	3	Hose 3/8" ID X 1.75"
17	6013220	1	Hose 3/8" ID X 5"
18	6013222	1	Hose 3/8" ID X 38"
19	6013221	1	Hose 3/8" ID X 20"

Diaphragm Pump Assembly #6030460



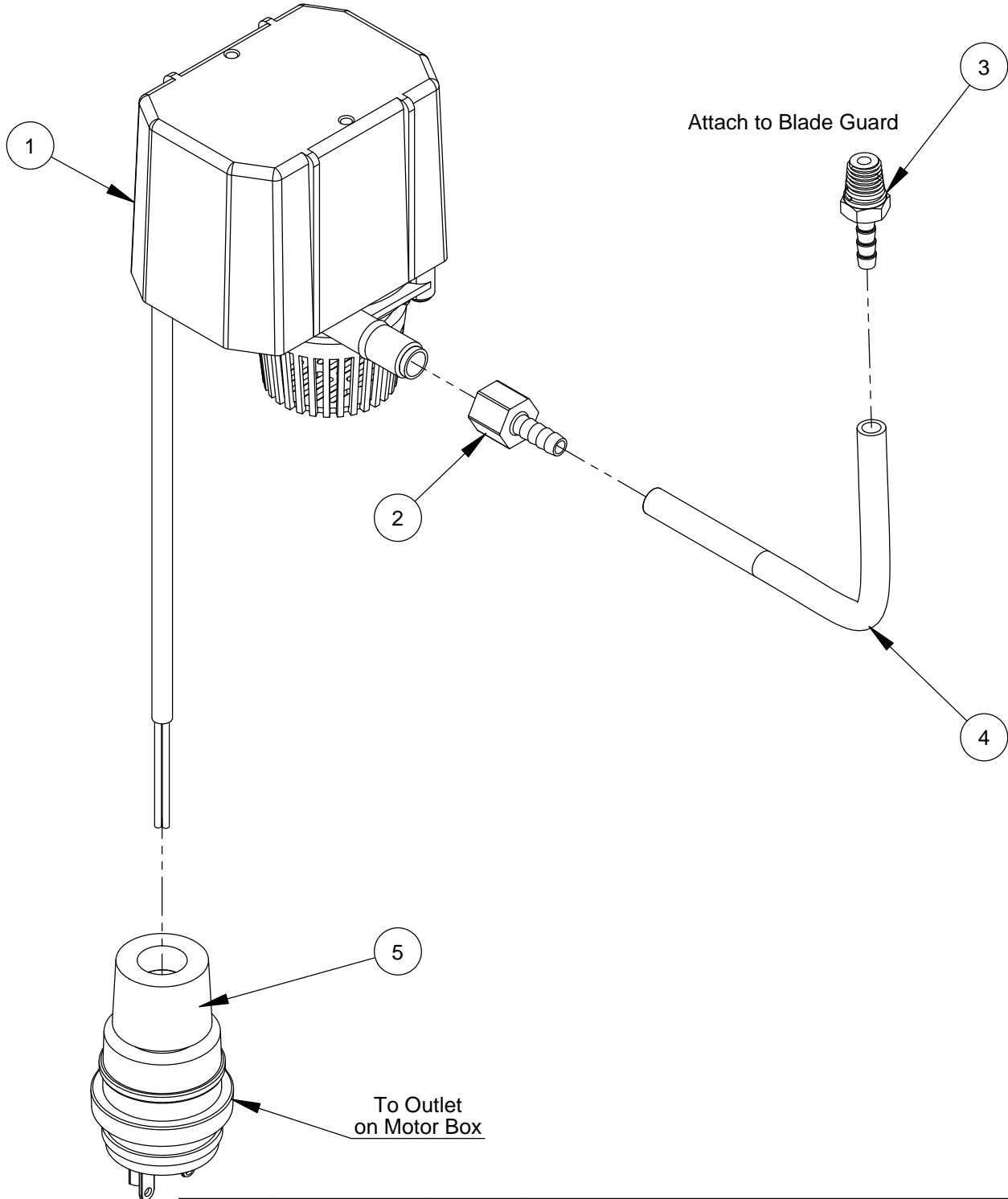
ITEM	PART NO.	QTY.	DESCRIPTION
1	2600768	1	Diaphragm Pump Head
2	6030347	1	Bracket, Pump Mount
3	6030479	1	Sleeve, Pump Shaft
4	2501607	1	Retaining Ring, 5/16" External
5	2900889	2	Friction Washer, 5/16"
6	2900016	2	Flat Washer, #10 USS
7	2900017	2	Lock Nut, #10-24 Nylon
8	2900059	2	Set Screw, Soc. Hd., #10-32 x 1/4"
9	2500455	1	Pulley, 4" with Setscrews

CC800M Water Pump Assembly #6030132
(1PH Electric Motor Only)



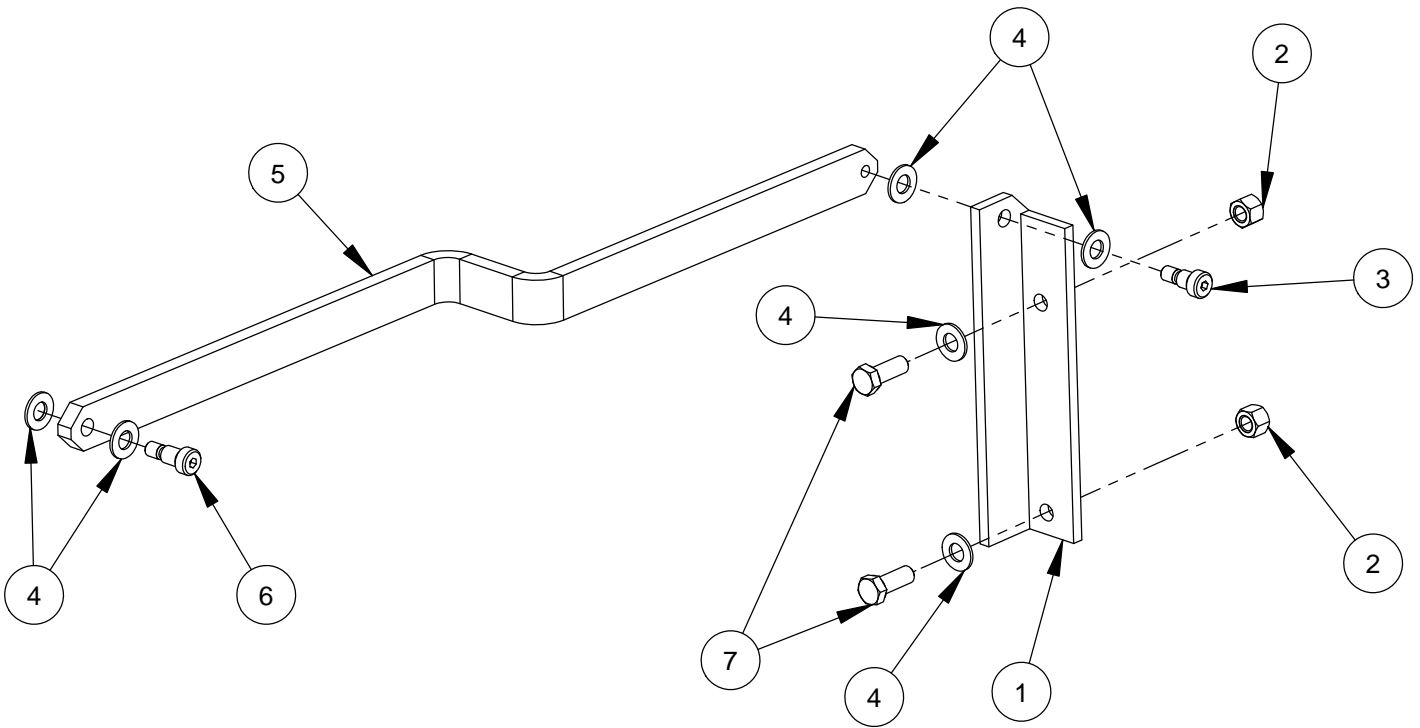
ITEM	PART NO.	QTY.	DESCRIPTION
1	2600220	1	Water Pump, 115V Submersible, 300GPH (5GPM)
2	3200231	1	Fitting, 1/4 FPT to 1/4 Hose Barb
3	3200019	1	Fitting, 1/4" M. Pipe to 1/4" Hose Barb
4	6030035	1	Hose, 1/4 x 3/8 x 40"

CC800M Water Pump Assembly #6030141
(3PH Electric Motor Only)



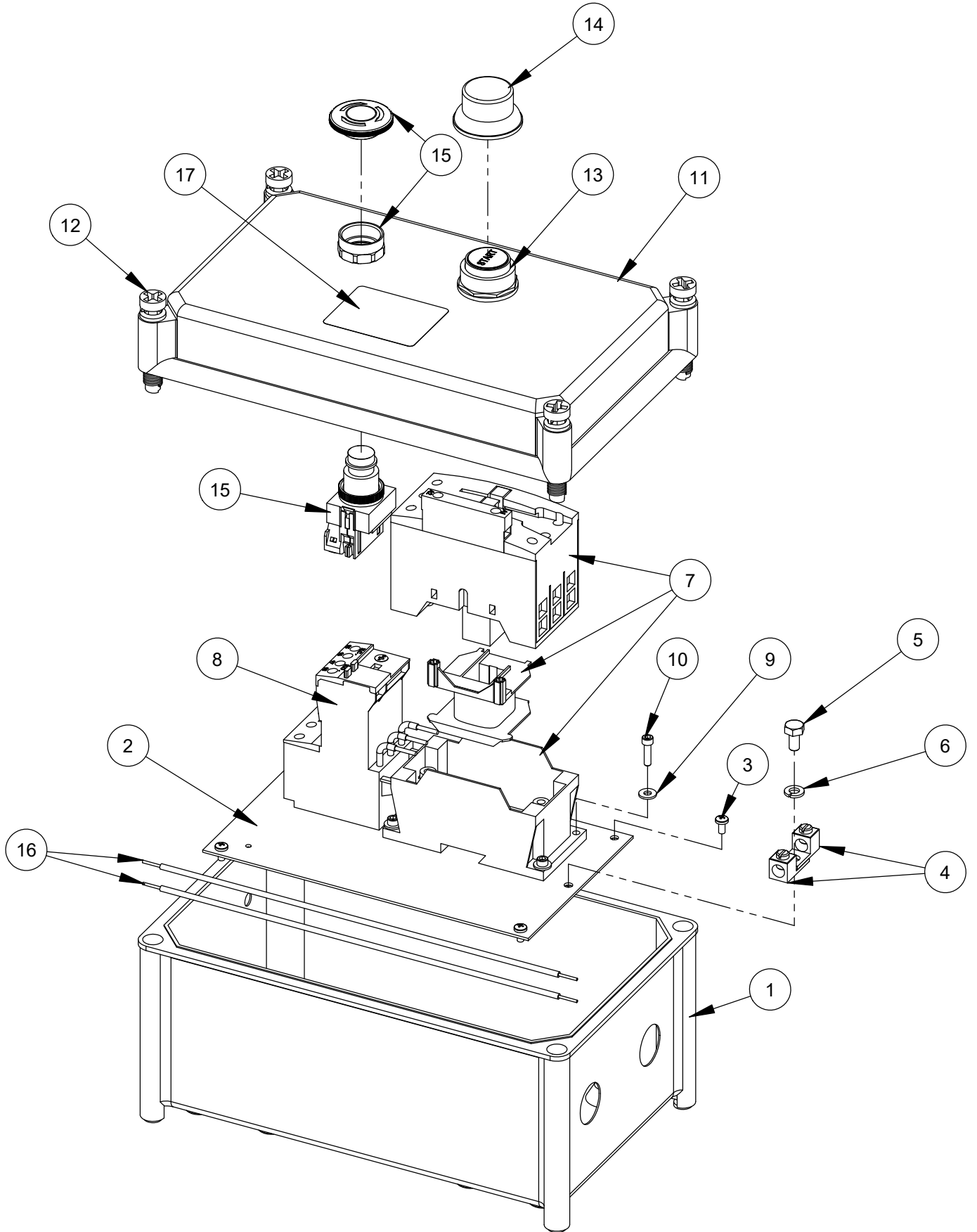
ITEM	PART NO.	QTY.	DESCRIPTION
1	2600273	1	Water Pump, 220V Submersible, 300GPH(5GPM)
2	3200231	1	Fitting, 1/4 FPT to 1/4 Hose Barb
3	3200019	1	Fitting, 1/4" M. Pipe to 1/4" Hose Barb
4	6030035	1	Hose, 1/4 x 3/8 x 40"
5	2801620	1	Plug, 15A 250V Sealed

Leveling Arm Assembly #6030239

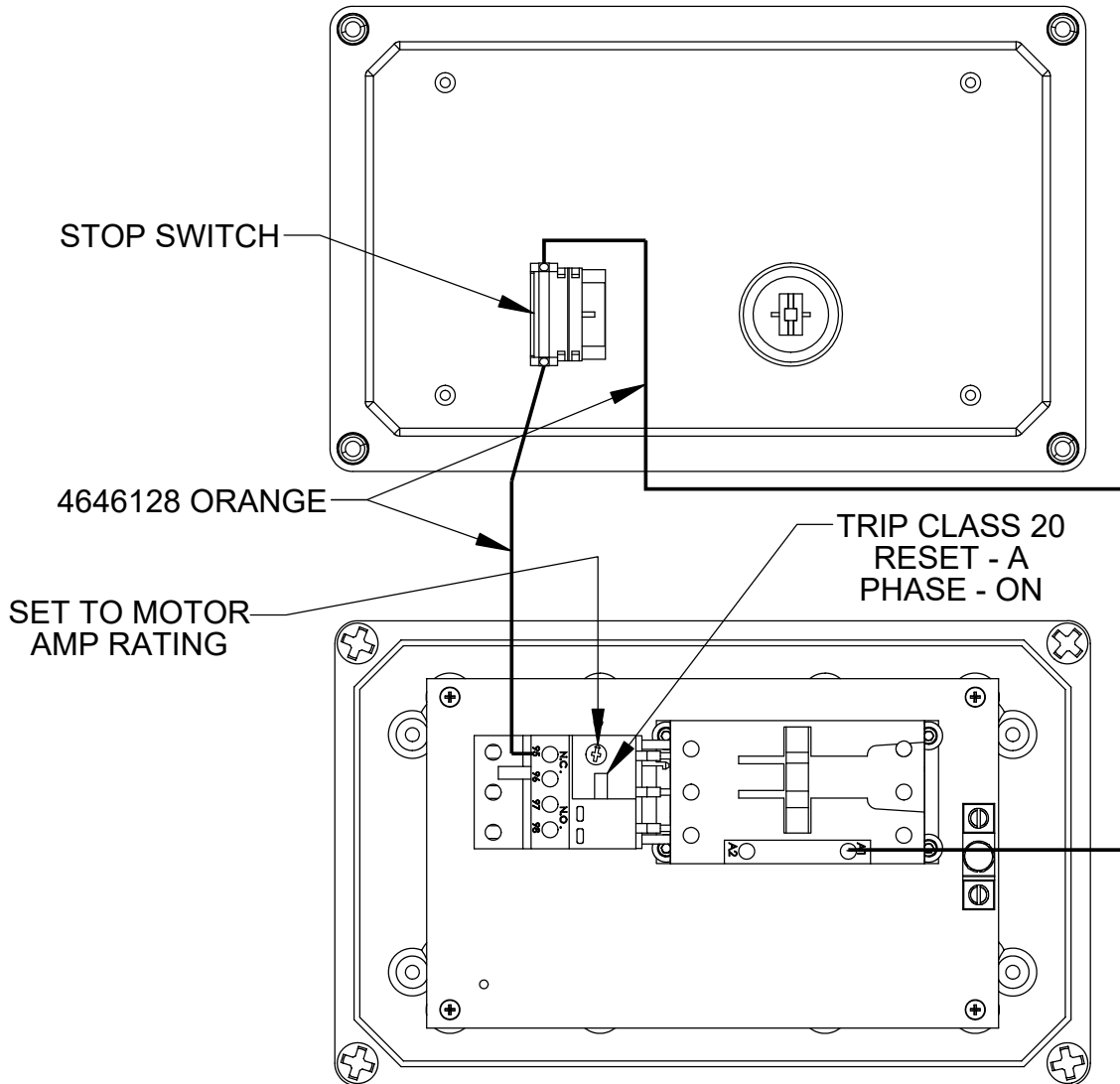


ITEM	PART NO.	QTY.	DESCRIPTION
1	6030358	1	Leveling Arm Attachment
2	2900018	2	Locknut, 3/8-16, Nylon
3	2900253	1	Shoulder Screw, 3/8 x 3/8" (5/16-18)
4	2900014	6	Flat Washer, 3/8" SAE
5	6030357	1	Block Saw Leveling Arm
6	2900672	1	Shoulder Screw, 3/8" x 1/2" (5/16-18)
7	2900005	2	Cap Screw, Hex Hd., 3/8-16 x 1"

STARTER BOX 220V, 3 Ph. #6011553

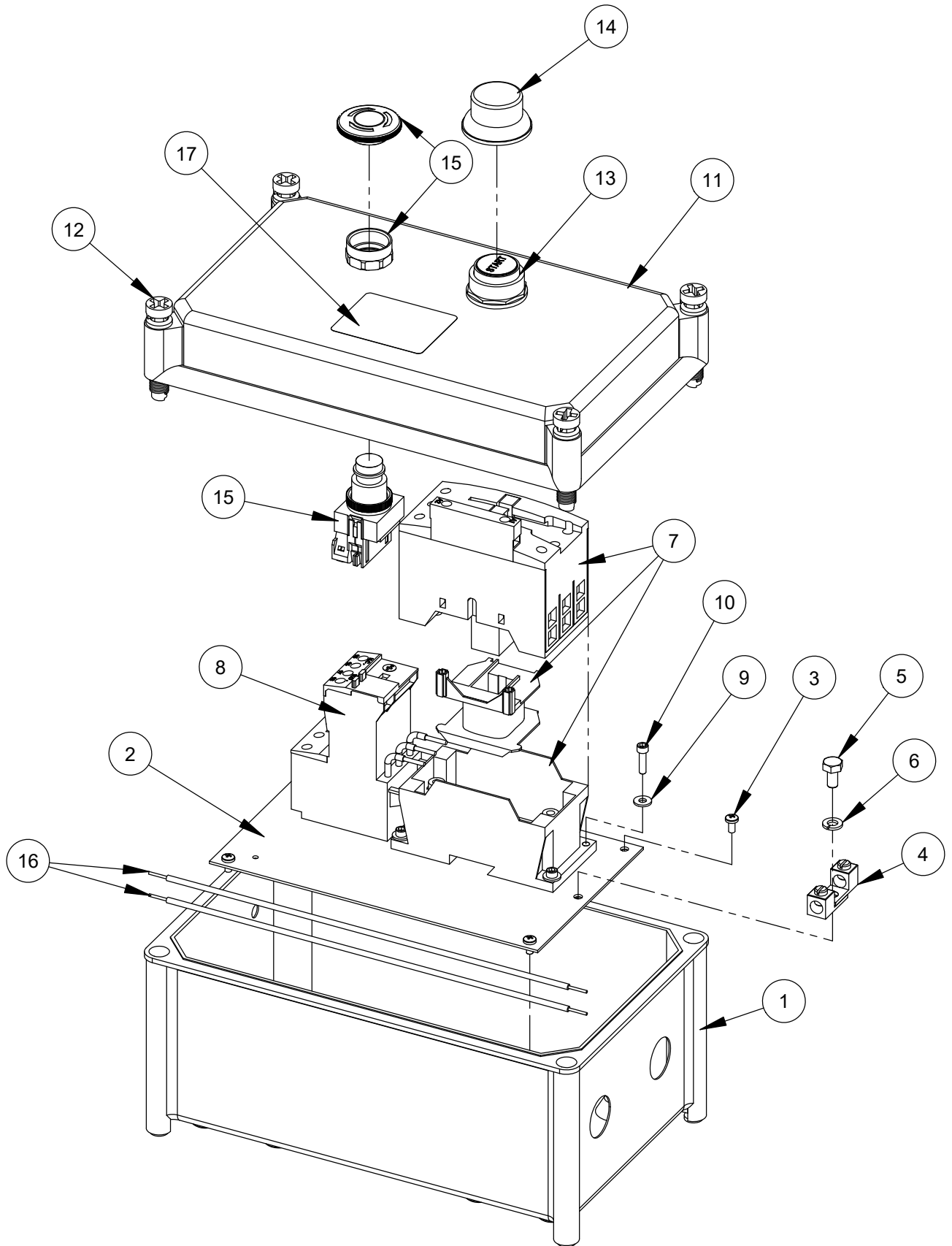


STARTER BOX 220V, 3 Ph. #6011553

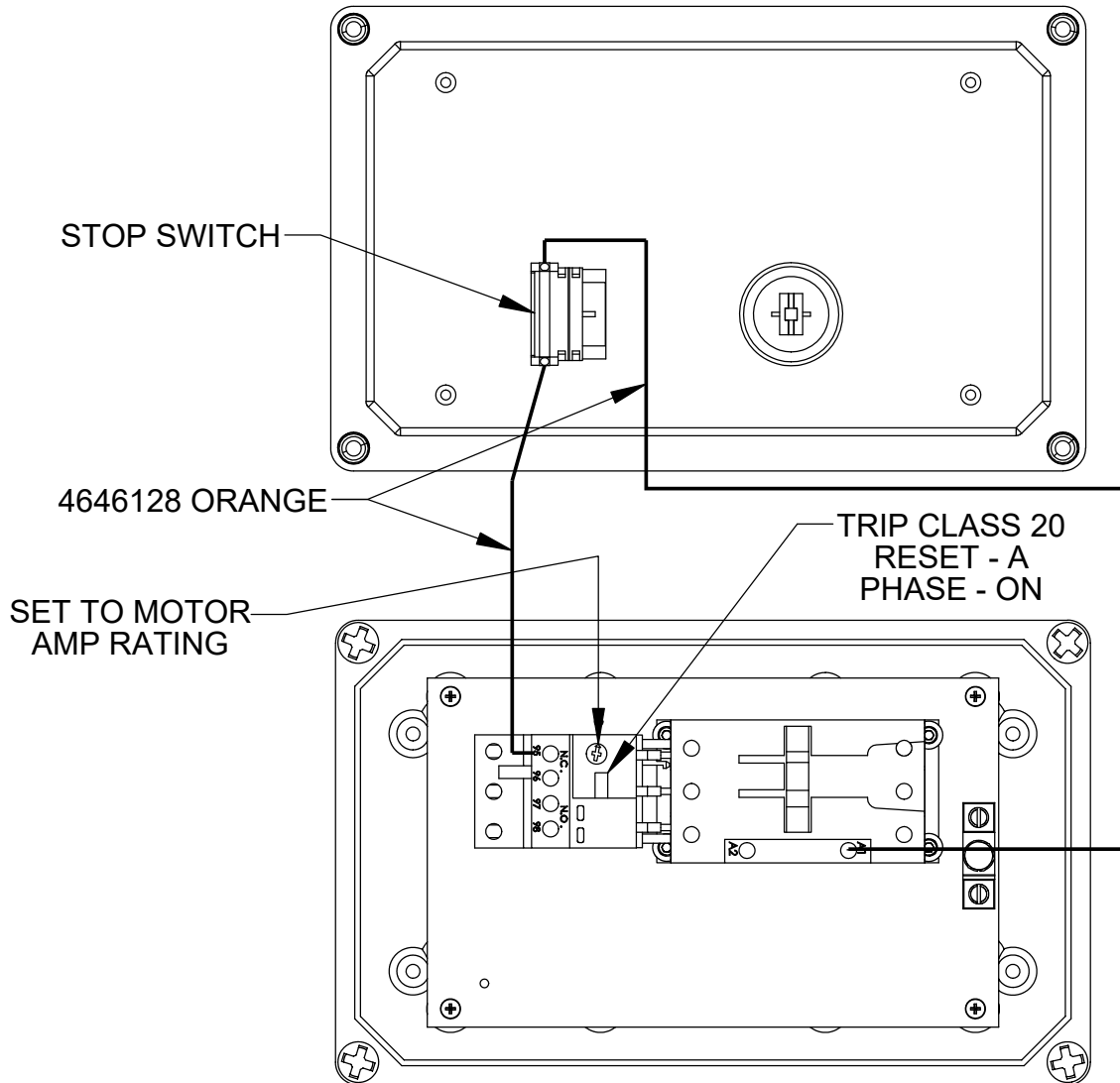


ITEM	PART NO.	QTY.	DESCRIPTION
1	6040667	1	Starter Box Base
2	6040598	1	Sub-plate
3	2900676	4	Machine Screw, Pan Hd., M4-0.7 x 8mm
4	2800315	2	Grounding Lug
5	2901891	1	Cap Screw, Hex Hd., 1/4-28 x 1/2"
6	2900024	1	Lock Washer, 1/4" Split
7	2801704	1	Contactor, 220-240V (includes coil)
	2801265	1	Replacement Coil, 220-240V
8	2801699	1	Overload Relay, 9-45 AMP
9	2901437	4	Flat Washer, #10
10	2901827	4	Cap Screw, Soc. Hd., #8-32 x 5/8"
11	6048339	1	Cover, Electric Box, 2 Hole
12	2701414	4	Fastener, Electrical Box Top
13	4600166	1	Start Switch
14	2800222	1	Clear Protective Boot
15	2801636	1	E-Stop Switch, 600V, NC
16	4646128	2	Wire, 14 Gage, Orange, 12"
17	1802920	1	Motor Jog Warning Label

STARTER BOX 380-460V, 3 Ph. #6011577

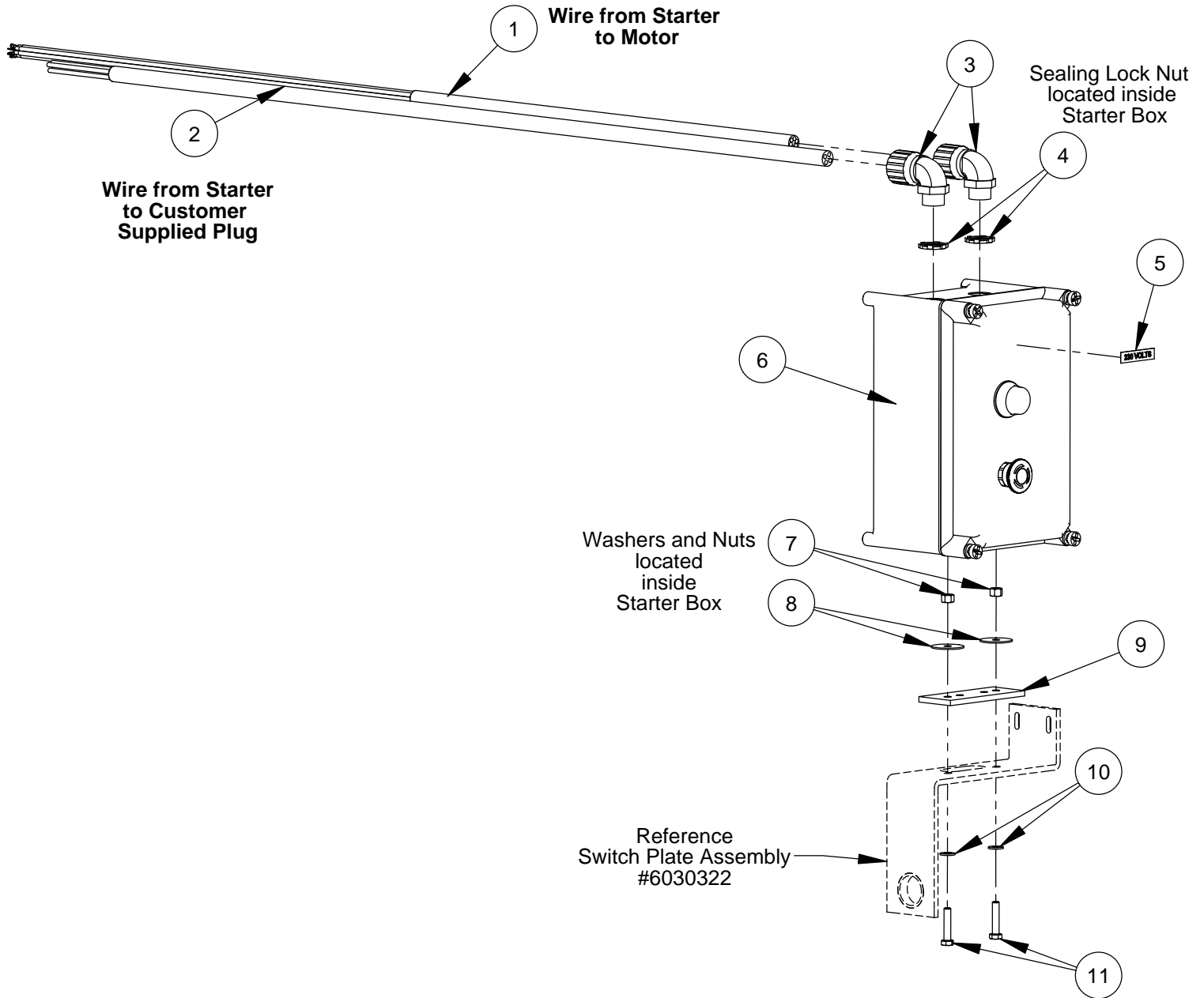


STARTER BOX 380-460V, 3 Ph. #6011577



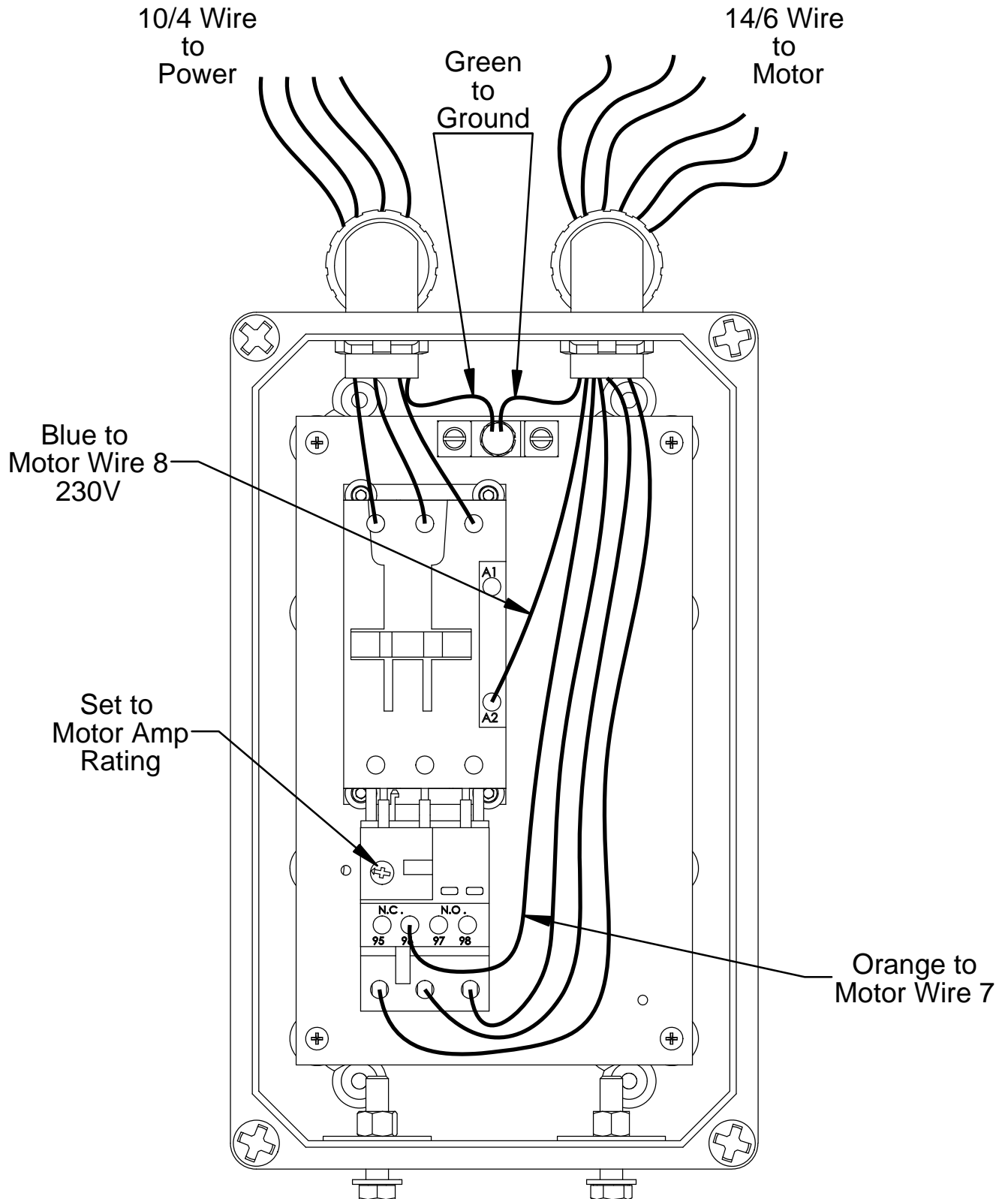
ITEM	PART NO.	QTY.	DESCRIPTION
1	6040667	1	Starter Box Base
2	6040598	1	Sub-plate
3	2900676	4	Machine Screw, Pan Hd., M4-0.7 x 8mm
4	2800315	2	Grounding Lug
5	2901891	1	Cap Screw, Hex Hd., 1/4-28 x 1/2"
6	2900024	1	Lock Washer, 1/4" Split
7	2801704	1	Contactor, 220-240V (includes coil)
	2801265	1	Replacement Coil, 220-240V
8	2801281	1	Overload Relay, 4-20 AMP
9	2901437	4	Flat Washer, #10
10	2901827	4	Cap Screw, Soc. Hd., #8-32 x 5/8"
11	6048339	1	Cover, Electric Box, 2 Hole
12	2701414	4	Fastener, Electrical Box Top
13	4600166	1	Start Switch
14	2800222	1	Clear Protective Boot
15	2801636	1	E-Stop Switch, 600V, NC
16	4646128	2	Wire, 14 Gage, Orange, 12"
17	1802920	1	Motor Jog Warning Label

6030340 Starter Box Assembly 3PH - 5 and 7.5 HP - 230V

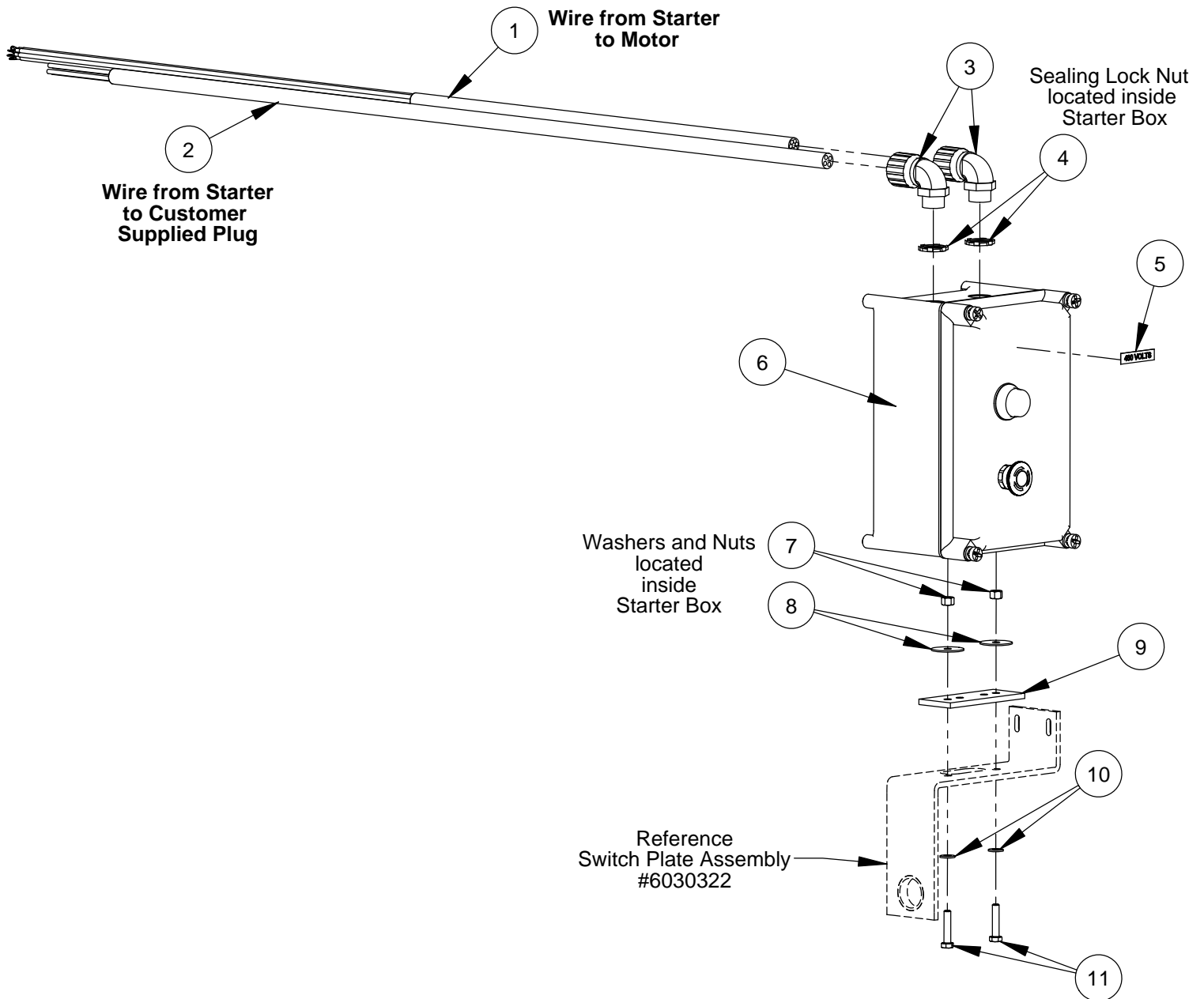


ITEM	PART NO.	QTY.	DESCRIPTION
1	6070254	1	Cord, 14/6 x 96" w/ #10 Ring Terminals
2	6070253	1	Cord, SO 10/4 X 96"
3	2802052	2	Cord Connector, 3/4" Thd., .63-75" Cord, 90 Deg.
4	2800050	2	Lock Nut, 3/4" Sealing
5	1800810	1	Voltage Label, 230V
6	6011553	1	Starter Box
7	2900039	2	Lock Nut, 5/16-18 Nylon
8	2900969	2	Fender Washer, 5/16" x 1-1/2"
9	6030183	1	Plate, 1/4 x 2 x 5
10	2900022	2	Flat Washer, 5/16" SAE
11	2900508	2	Cap Screw, Hex Hd., 5/16-18 x 1-1/2"

6030340 Starter Box Assembly
3PH - 5 and 7.5 HP - 230V

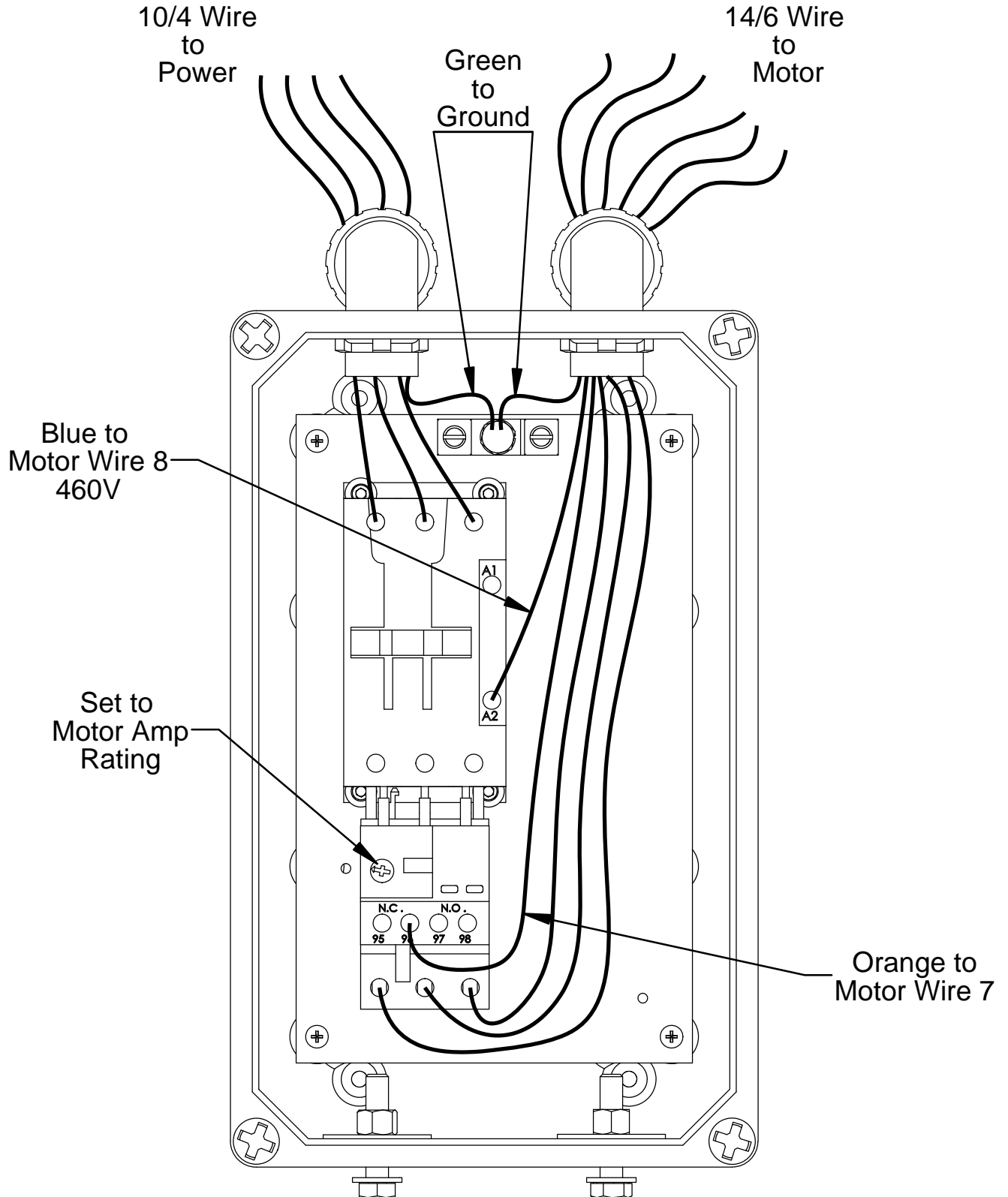


6030341 Starter Box Assembly 3PH - 5 and 7.5 HP - 380V/460V

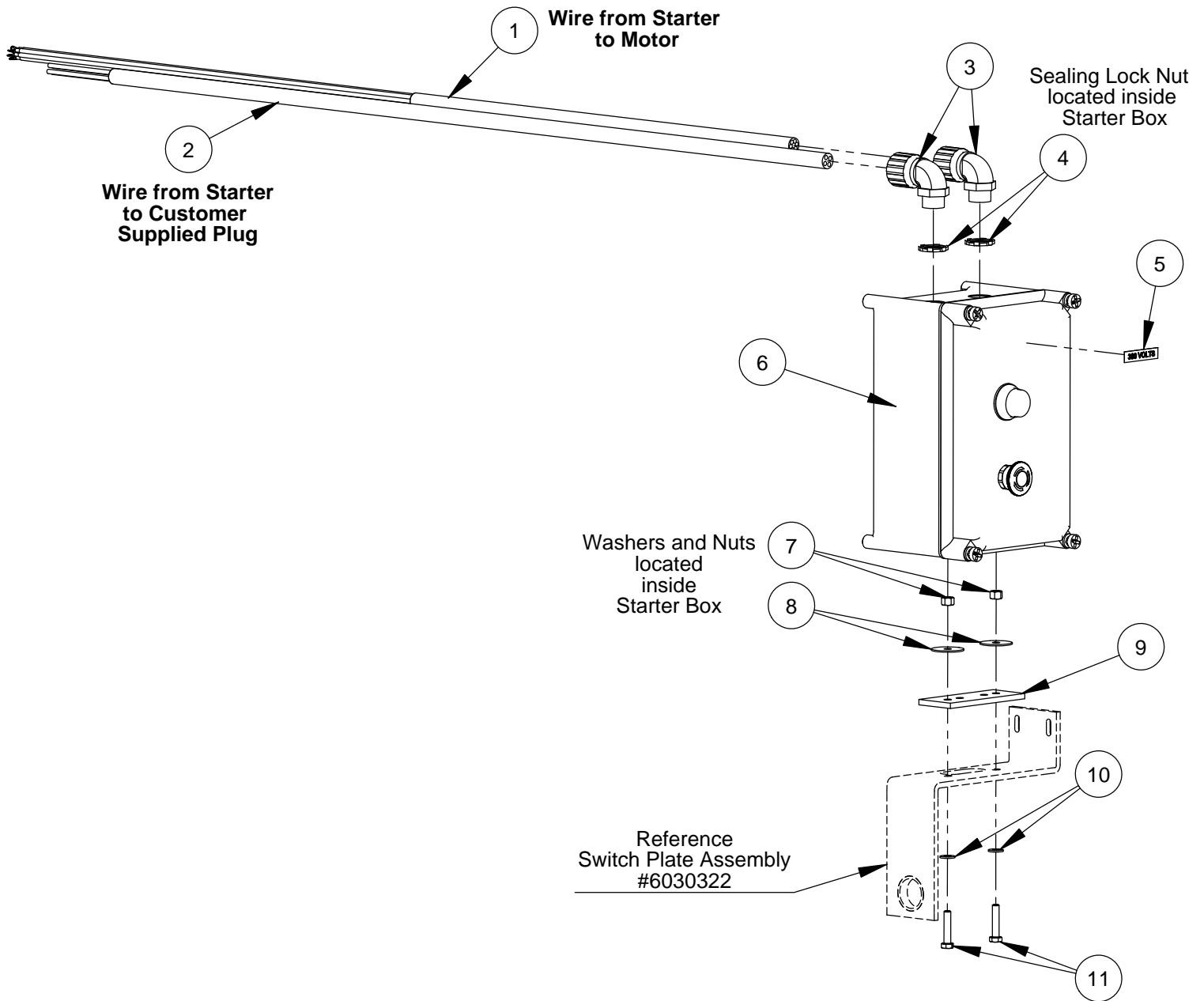


ITEM	PART NO.	QTY.	DESCRIPTION
1	6070254	1	Cord, 14/6 x 96" w/ #10 Ring Terminals
2	6070253	1	Cord, SO 10/4 X 96"
3	2802052	2	Cord Connector, 3/4" Thd., .63-75" Cord, 90 Deg.
4	2800050	2	Lock Nut, 3/4" Sealing
5	1800811	1	Voltage Label
6	6011577	1	Starter Box, 380V/460V
7	2900039	2	Lock Nut, 5/16-18 Nylon
8	2900969	2	Fender Washer, 5/16" x 1-1/2"
9	6030183	1	Plate, 1/4 x 2 x 5
10	2900022	2	Flat Washer, 5/16" SAE
11	2900508	2	Cap Screw, Hex Hd., 5/16-18 x 1-1/2"

6030341 Starter Box Assembly
3PH - 5 and 7.5 HP - 380V/460V

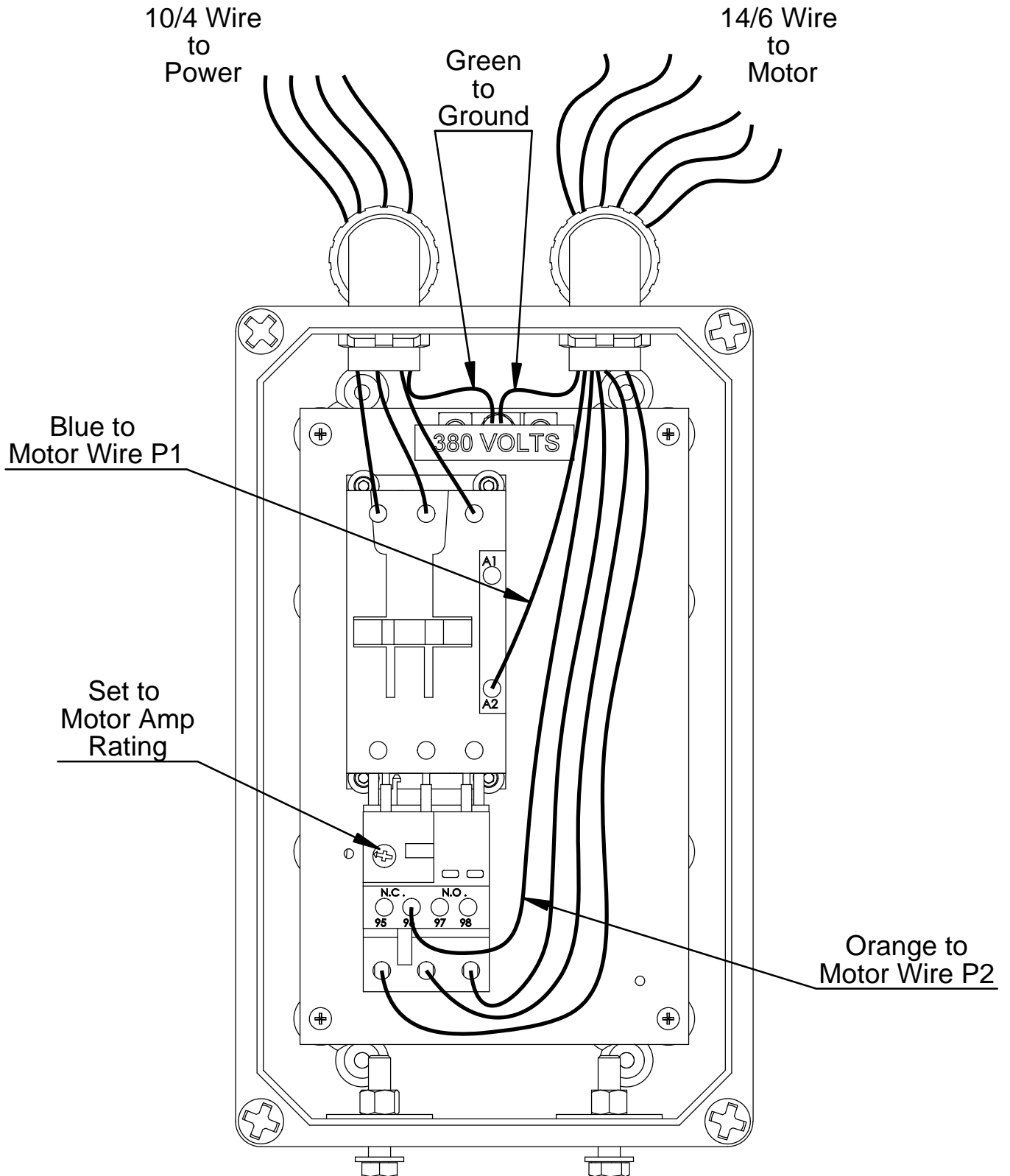


Power Box Assembly #6030339
3PH - 7.5 HP - 380V



ITEM	PART NO.	QTY.	DESCRIPTION
1	6070254	1	Cord, 14/6 x 96" w/ #10 Ring Terminals
2	6070253	1	Cord, SO 10/4 X 96"
3	2802052	2	Cord Connector, 3/4" Thd., .63-75" Cord, 90 Deg.
4	2800050	2	Lock Nut, 3/4" Sealing
5	1801985	1	Voltage Label, 380V
6	6011553	1	Starter Box
7	2900039	2	Lock Nut, 5/16-18 Nylon
8	2900969	2	Fender Washer, 5/16" x 1-1/2"
9	6030183	1	Plate, 1/4 x 2 x 5
10	2900022	2	Flat Washer, 5/16" SAE
11	2900508	2	Cap Screw, Hex Hd., 5/16-18 x 1-1/2"

Power Box Assembly #6030339
3PH - 7.5 HP - 380V



Models and Specifications

Blade Capacity:	20" and 24"
Maximum Depth of Cut:	8" and 10" Respectively
Arbor Diameter:	1"
Blade Drive:	Matched set of premium gripnotch V-belts

Electric Models

Model	Make	HP	Phase	Voltage	Hertz	Amps	*RPM at Motor Output Shaft	*RPM at Blade Shaft	Blade Size
CC850M-E1-20	Baldor	5	1	230	60	23	1750 rpm	2200 rpm	20"
CC850M-E3-20		5	3	230/460		13.4/6.7			20"
CC875M-E1-20		7.5	1	230		30			20"
CC875M-E3-20		7.5	3	230/460		18.8/9.4			20"
CC875M-E1-24		7.5	1	230		30		1750 rpm	24"
CC875M-E3-24		7.5	3	230/460		18.8/9.4			24"

* Values are approximate.

Gas Models

Model	Make	*HP	*Fuel Capacity	*Oil Capacity	Air Cleaner	RPM at Motor Output Shaft	RPM at Blade Shaft	Blade Size
CC809H-20	Honda	8.5	1.40 gal.	1.2 qt.	3 Stage -Cyclone	3600 rpm	2050 rpm	20"
CC809L-20	Lifan	9	1.7 gal.	1.0 qt.				20"
CC813H-20	Honda	11.7	1.61gal.	1.2 qt.				20"
CC813H-24	Honda	11.7	1.61 gal.	1.2 qt.				24"

*Per manufacturer specifications.

EQUIPMENT AND PARTS WARRANTY

Diamond Products warrants all equipment manufactured by it against defects in workmanship or materials for a period of one (1) year from the date of shipment to Customer.

The responsibility of Diamond Products under this Warranty is limited to replacement or repair of defective parts at Diamond Products' Elyria, Ohio factory, or at a point designated by it, of such parts as shall appear to us upon inspection at such parts, to have been defective in material or workmanship, with expense for transportation and labor borne by Customer.

In no event shall Diamond Products be liable for consequential or incidental damages arising out of the failure of any Product to operate properly.

Integral units such as engines, electric motors, batteries, transmissions, etc., are excluded from this Warranty and are subject to the prime manufacturer's warranty.

THIS WARRANTY IS IN LIEU OF ALL OTHER WARRANTIES, EXPRESSED OR IMPLIED, AND ALL SUCH OTHER WARRANTIES ARE HEREBY DISCLAIMED.



333 Prospect Street, Elyria, Ohio 44035
(440) 323-4616 • (800) 321-5336 • Fax (440) 323-8689
www.diamondproducts.com