



DUAL HEAD  
FLOOR GRINDER  
PARTS LIST

**MODEL**  
**CPG200**

Jan 2020

Part #1802707

### RECOMMENDED POWER CORD GAUGE

HORSE POWER	PHASE	VOLTS	AMPS	50 Ft. CORD	100 Ft. CORD	150 Ft. CORD	200 Ft. CORD
5hp	1ph	230v	23A	#10	#8	#6	#4
5hp	3ph	230v	12A	#14	#12	#10	#8
5hp	3ph	460v	6A	#14	#14	#12	#10
7.5hp	1ph	230v	33A	#8	#8	#6	#4
10hp	3ph	230v	24A	#10	#8	#6	#4
10hp	3ph	460v	12A	#14	#12	#10	#8
20hp	3ph	230v	52A	#6	#6	#4	#2
20hp	3ph	460v	26A	#10	#8	#6	#4
25hp	3ph	230v	58A	#6	#6	#4	#2
25hp	3ph	460v	29A	#10	#8	#6	#4
30hp	3ph	230v	74A	#6	#4	#2	#1
30hp	3ph	460v	37A	#8	#6	#4	#2
40hp	3ph	460v	48A	#8	#6	#4	#2
50hp	3ph	460v	62A	#4	#4	#2	#0

CAUTION: Use of a wire gauge that is too small will cause loss of power or overheating and will damage the electric motor.

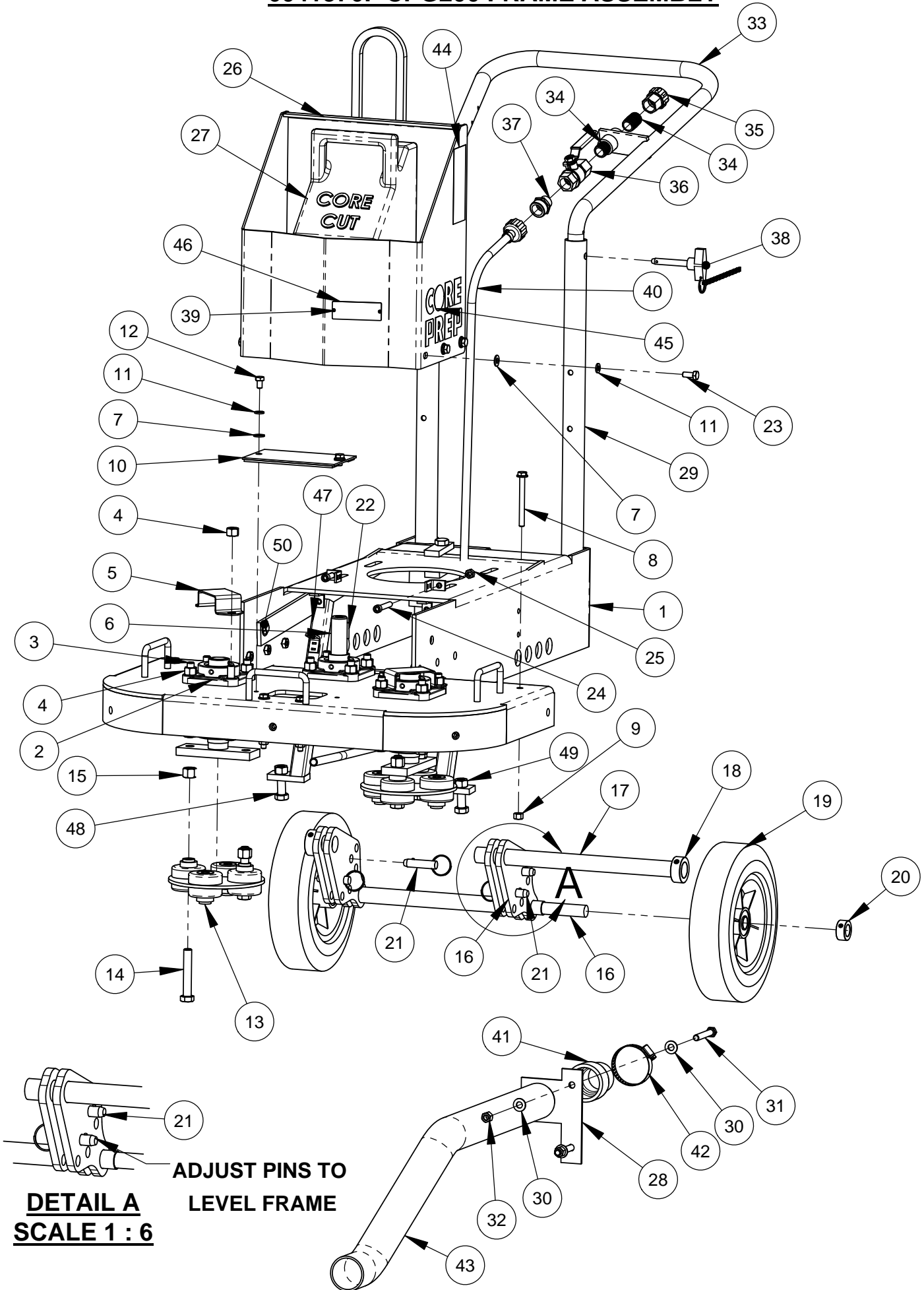
## Table of Contents

<u>Description</u>	<u>Page No.</u>
Frame Assembly.....	4 - 5
Disc Assembly.....	6
Flange Assembly.....	7
Gear and Shaft Assembly.....	8
Dust Guard Assembly.....	9
Gas Tank Assembly.....	10
Engine Group, 10 HP HondaGas.....	11
Electric Motor Group, 2 HP, 1 Phase.....	12
Electric Motor Group, 7.5 HP, 230V, 1 Ph.....	13
Electric Motor Group, 7.5 HP, 230V, 3 Ph.....	14
Electric Motor Group, 7.5 HP, 460V, 3 Ph.....	15
Starter Box Assembly, 7.5 HP, 230V, 1 Phase .....	16
Starter Box Assembly, 7.5 HP, 230V, 3 Phase .....	17
Starter Box Assembly, 7.5 HP, 460V, 3 Phase .....	18
Starter Box, 230V.....	20
Starter Box, 460V.....	21
Starter Box, 230V.....	22-23
Starter Box, 460V.....	24-25
Floor Grinder Accessories.....	26
Warranty.....	Rear Cover

## Quick Reference Service Filters/ Belts

<u>DP Part No.</u>	<u>Description</u>	<u>Manufacturer's Part No.</u>
2703150	Fuel Filter for Honda	(Honda #17676-ZE2-W01)
2702121	Air Filter for 13HP Honda	(Honda #17211-ZF5-V01)
2501162	V-Belt (2) for Honda 13HP Gas	(Gates #4L-400)
2500033	V-Belt (3) for Baldor 2HP, 1PH	(Gates #4L-430)
2500632	V-Belt (3) for Baldor 7.5HP, 3PH	(Gates #4L-410)

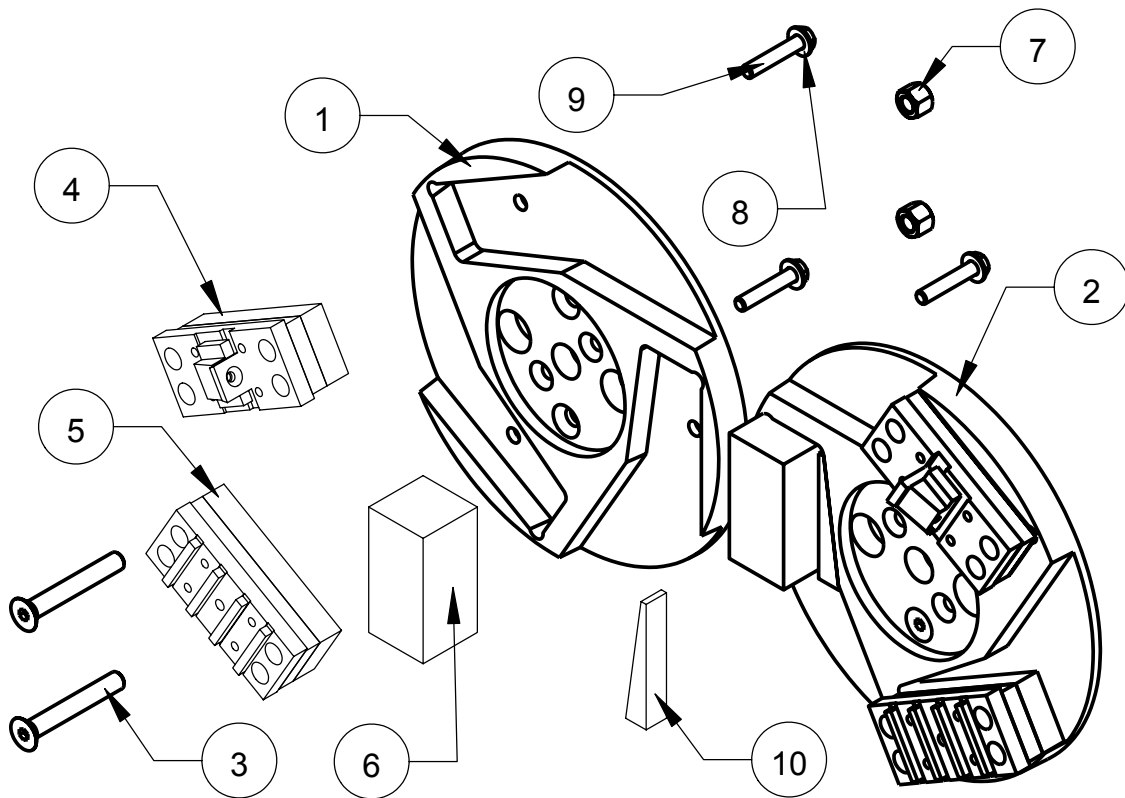
# 6041376: CPG200 FRAME ASSEMBLY



## **6041376: CPG 200 FRAME ASSEMBLY**

ITEM	PART NO.	QTY.	DESCRIPTION
1	6041032	1	Frame Weldment
2	2501063	3	Bearing, 4 Bolt Flange, 1" ID
3	2900960	12	Cap Screw, Flat Hd., 7/16-14 x 1-1/2"
4	2900045	12	Lock Nut, 7/16-14 Nylon
5	6041055	2	Bearing Cover
6	6041378	1	Gear Box Assembly
7	2900022	18	Flat Washer, 5/16" SAE
8	2900030	5	Cap Screw, Hex Hd., 5/16-18 x 3-1/4"
9	2900039	5	Lock Nut, 5/16-18 Nylon
10	6041161	1	Cover Plate Assembly
11	2900031	8	Lock Washer, 5/16" Split
12	2900958	2	Cap Screw, Hex Hd., 5/16-18 x 1/2"
13	2501869	2	Flex Coupling
14	2900693	4	Cap Screw, Hex Hd., 1/2-13 x 3"
15	2900026	4	Lock Nut, 1/2-13 Nylon
16	6041156	1	Axle Weldment
17	6041020	1	Axle Support Shaft
18	2500009	2	Set Collar, 1" ID
19	2503604	2	Wheel, 10 x 2 x 3/4"
20	2400615	2	Set Collar, 3/4"
21	2900698	4	1/2 x 1.2" Quick Pin
22	6011089	1	Key, 1/4" Sq. x 1" Long
23	2900019	6	Cap Screw, Hex Hd., 5/16-18 x 3/4"
24	2900947	2	Cap Screw, Soc. Hd., 5/16-18 x 2"
25	2900141	2	Hex Nut, 5/16-18
26	6041051	1	Weight Box
27	2501047	1	Weight
28	6041063	1	Dust Port Bracket
29	6041056	2	Handle Support
30	2900014	8	Flat Washer, 3/8" SAE
31	2900596	4	Cap Screw, Hex Hd., 3/8-16 x 2-1/2"
32	2900018	4	Locknut, 3/8-16, Nylon
33	6041023	1	Handle Weldment
34	3200008	2	Close Nipple, 1/2" NPT
35	3200022	1	Fitting, 1/2" F. Pipe to 3/4" F. Garden
36	3200027	1	Water Valve
37	3200155	1	Fitting, 1/2" M. Pipe to 3/4" M. Garden
38	2900257	2	Lock Pin, T Handle, 3/8"
39	2900053	4	Rivet, 3/32" Dia.
40	6040299	1	Water Hose Assembly
41	2503177	1	Hose Reducer, 2.0"-1.5" ID
42	3200095	1	Hose Clamp #32
43	6041065	1	Hose, 2" ID, PVC
44	1800001	2	Warning Label
45	1802900	2	Core Prep Decal
46	1800169	1	Serial Number Plate, US
47	6040804	1	Leg Weldment
48	2900139	3	Cap Screw, Hex Hd., 1/2-13 x 1-3/4"
49	2900037	2	Hex Nut, 1/2-13
50	2900948	2	Retainer, 1/2"

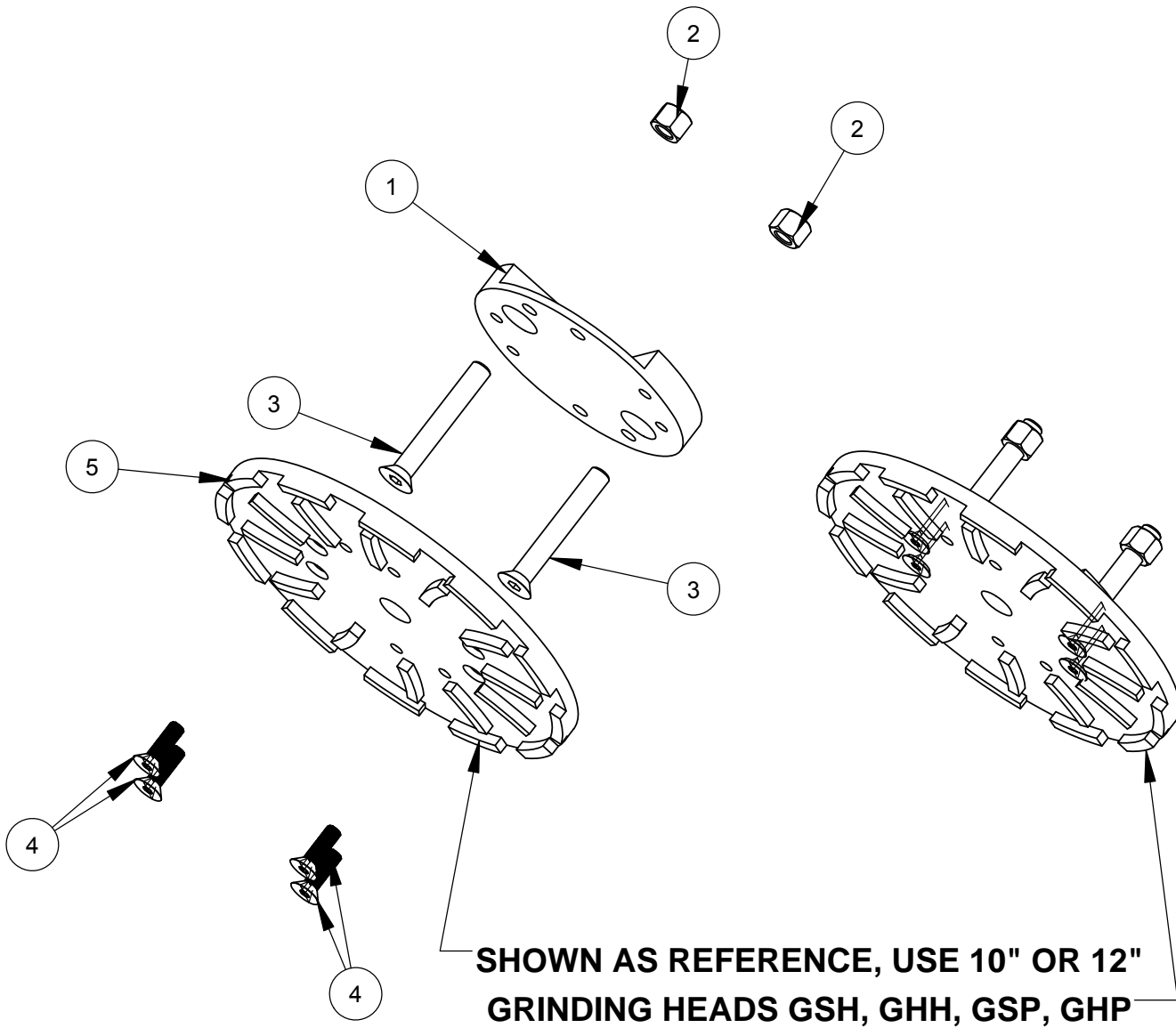
## CC200 DISC ASSEMBLY: 6041160



ITEM NO.	PART NUMBER	QTY.	DESCRIPTION
1	6041057	1	Disc, Right Side
2	6041058	1	Disc, Left Side
3	2900705	4	Cap Screw, Flat Hd., 1/2-13 x 3-1/2"
4	CCB4000	2	Carbide Cutting Block
5	GB4000	2	Grinding Block
6	ABCH	2	Abrasive Grinding Stone
7	2900026	4	Lock Nut, 1/2-13 Nylon
8	2900014	6	Flat Washer, 3/8" SAE
9	2900060	6	Cap Screw, Hex Hd., 3/8-16 x 2"
10	WEDGE	2	Wooden Wedge

**ITEMS 4,5,6 AND 10 SHOWN AS REFERENCE.**

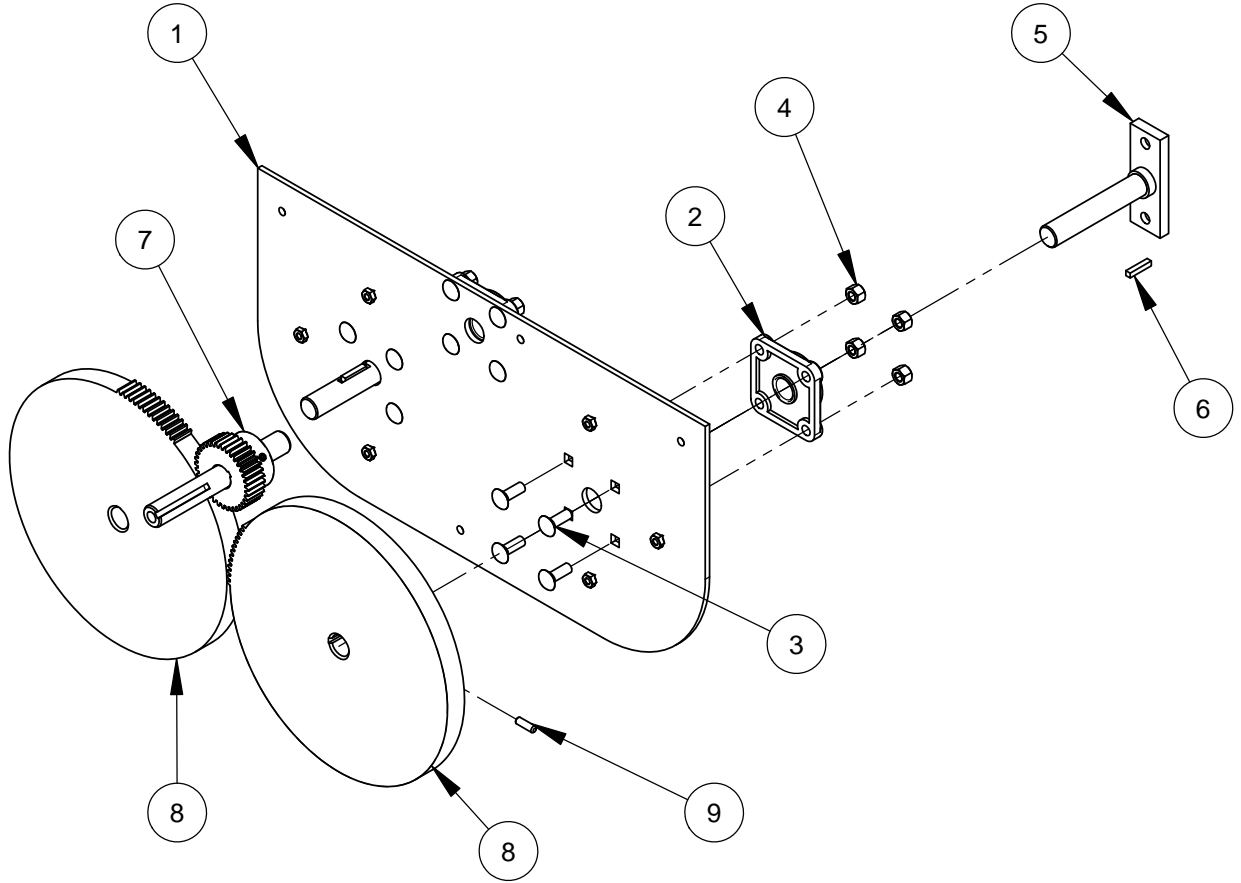
## CC200 FLANGE ASSEMBLY: 6041374



ITEM	PART NO.	QTY.	DESCRIPTION
1	6041157	2	Disc Flange
2	2900026	4	Lock Nut, 1/2-13 Nylon
3	2900705	4	Cap Screw, Flat Hd., 1/2-13 x 3-1/2"
4	2902406	8	Cap Screw, Flat Hd., 3/8-24 x 1-1/4"
5	GHH1020	2	Grinding Head, 10"

**ITEM #5 SHOWN AS REFERENCE**

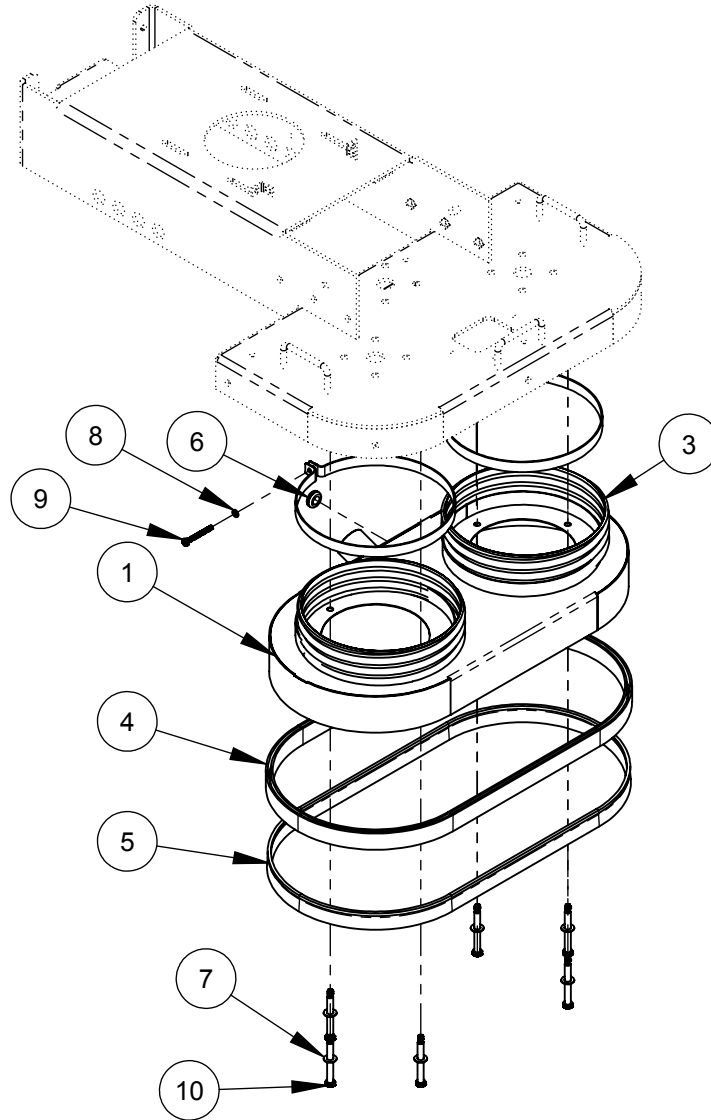
**CPG200 GEAR AND SHAFT ASSEMBLY: # 6041378**



ITEM	PART NO.	QTY.	DESCRIPTION
1	6041034	1	Head Plate Assembly
2	2501063	3	Bearing, 4 Bolt Flange, 1" ID
3	2900044	12	Carriage Bolt, 7/16-14 x 1-1/4"
4	2900045	12	Lock Nut, 7/16-14 Nylon
5	6041155	2	Gear Shaft Assembly
6	6010169	2	Key, 1/4" Sq. x 1-1/4"
7	6041143	1	Gear-Shaft Assembly
8	2503589	2	Spur Gear, 156 Tooth, 20 Deg.
9	2900923	2	Set Screw, Soc. Hd., 5/16-18 x 1"

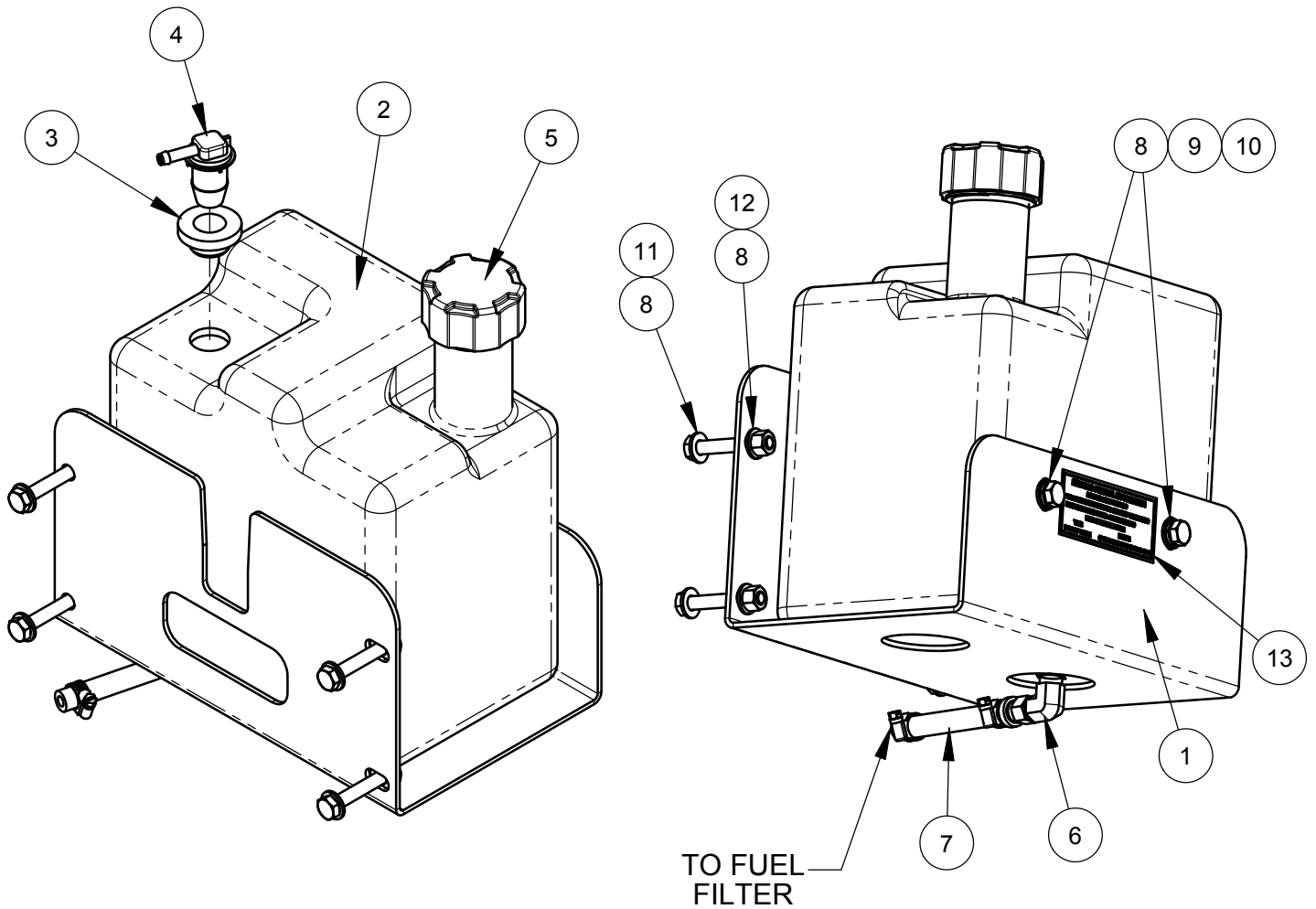


## DUST GUARD ASSEMBLY #6041375



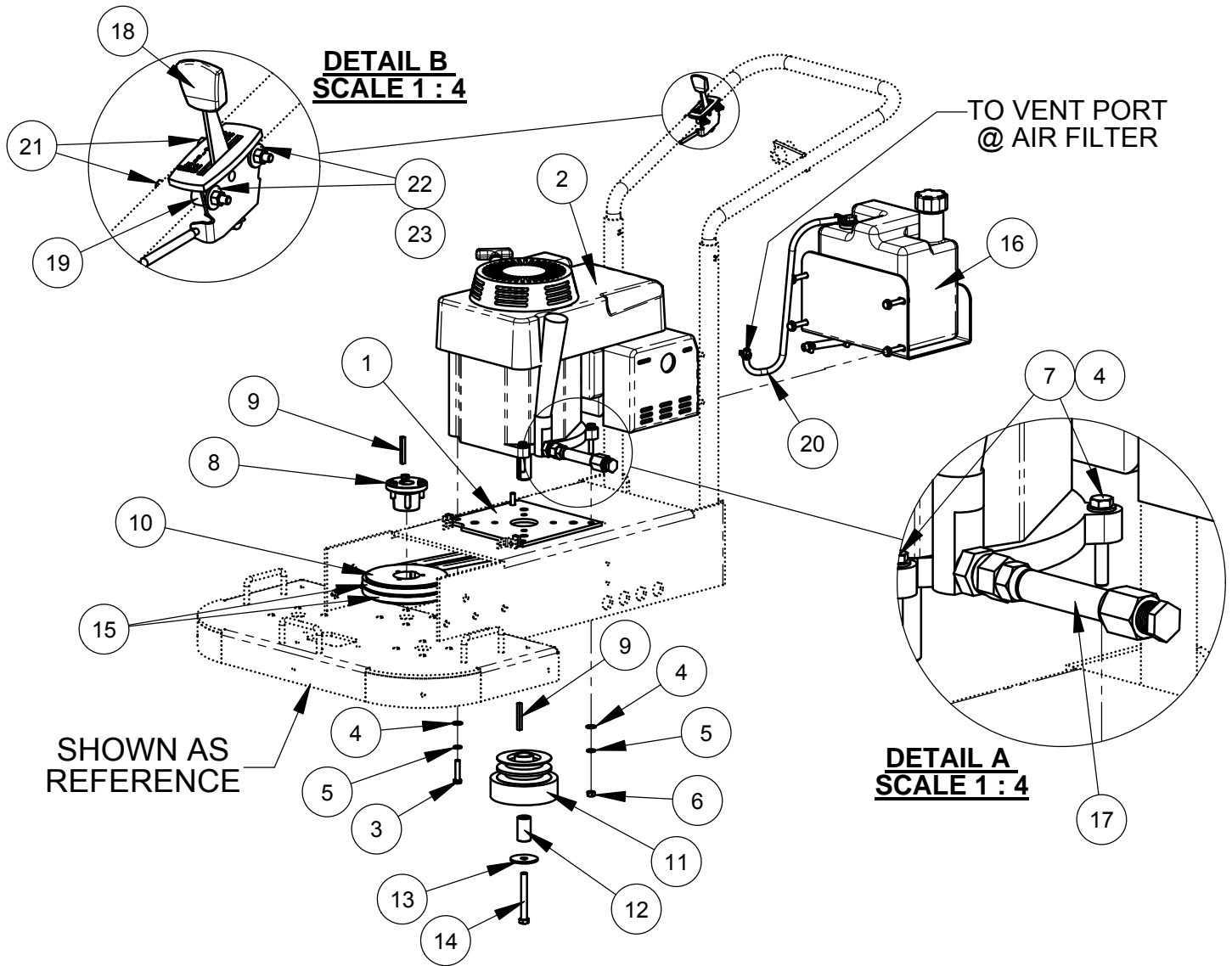
ITEM	PART NO.	QTY.	DESCRIPTION
1	6040895	1	Dust Guard Weldment, CPG200
2	6040910	2	Hose Ring 10"
3	6041197	2	Flexible Hose, 10" ID x 2.50" Long
4	6040824	1	Strip Brush Holder
5	6040825	2	Strip Brush
6	2505182	1	Grommet, 9/16" ID
7	2900014	6	Flat Washer, 3/8" SAE
8	2900024	2	Lock Washer, 1/4" Split
9	2902424	2	Tap Screw, Hex Hd., 1/4-20 x 2-1/4"
10	2902443	6	Shoulder Screw, 3/8 x 3" (5/16-18)

## 6017351 CC100/200 GAS TANK ASSEMBLY



ITEM	PART NO.	QTY.	DESCRIPTION
1	6041046	1	Gas Tank Support
2	6010846	1	Fuel Tank, 1.5 Gallon
3	2506716	1	Grommet
4	2502484	1	Roll Over Vent, 1/4" Hose Barb
5	2506718	1	Fuel Tank Cap, 1-3/4"
6	3200057	1	Elbow, 1/4" M. Pipe to 1/4" M. JIC
7	6011718	1	Hose Assy., Fuel, 1/4"
	3200091	1	Fitting, 1/4" F. JIC to 1/4" Push Lock
	3200062	2	Hose Clamp #4
8	2900022	10	Flat Washer, 5/16" SAE
9	2900031	2	Lock Washer, 5/16" Split
10	2900329	2	Cap Screw, Hex Hd., M8-1.25 x 20mm
11	2900494	4	Cap Screw, Hex Hd., 5/16-18 x 2"
12	2900039	4	Lock Nut, 5/16-18 Nylon
13	1801716	1	Decal, EPA EVAP Standard

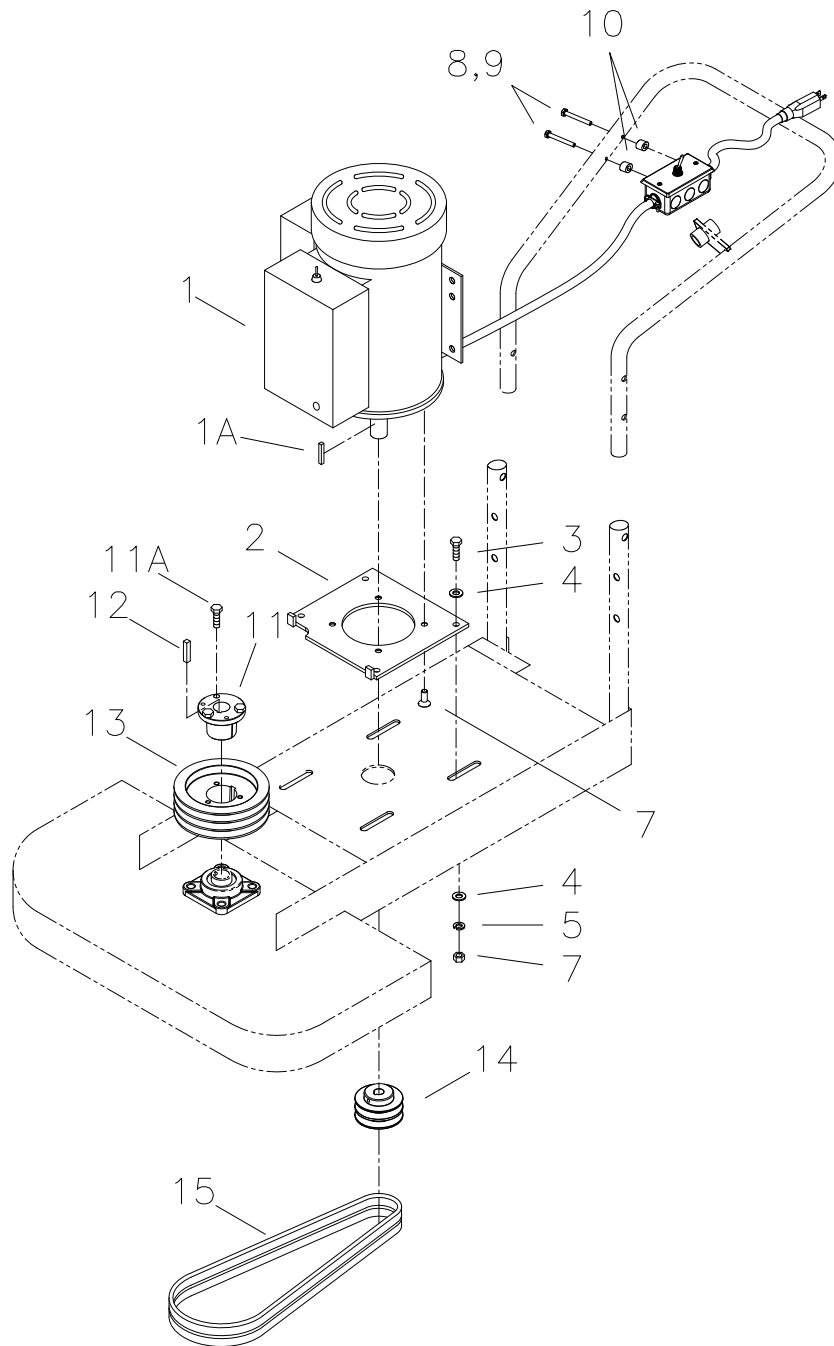
# 6040543 CC200 HONDA ENGINE GROUP, 10 HP



ITEM	PART NO.	QTY.	DESCRIPTION
1	6048335	1	Engine Plate
2	2600259	1	Honda GXV390, Vertical Shaft
3	2900945	2	Cap Screw, Hex Hd., 5/16-24 x 1-1/2"
4	2900022	6	Flat Washer, 5/16" SAE
5	2900031	4	Lock Washer, 5/16" Split
6	2900946	2	Hex Nut, 5/16-24
7	2900944	2	Cap Screw, Hex Hd., 5/16-24 x 2"
8	2501044	1	Bushing, Taper Lock, w/Fasteners
	2900138	3	Cap Screw, Hex Hd., 5/16-18 x 1"
9	2501357	2	Key, 1/4" Sq., x 2.0"
10	2501178	1	Sheave, 6.00-2 Groove
11	2501161	1	Centrifugal Clutch W/ 2 Groove Pulley, 4.0"
12	6041081	1	Clutch Spacer
13	2900966	1	Flat Washer, 1/2" x 2" x 1/8"
14	2900965	1	Cap Screw, Hex Hd., 7/16-20 x 3-1/2"
15	2501162	2	V-Belt, 4L400
16	6017351	1	Gas Tank Assy., CC100/200

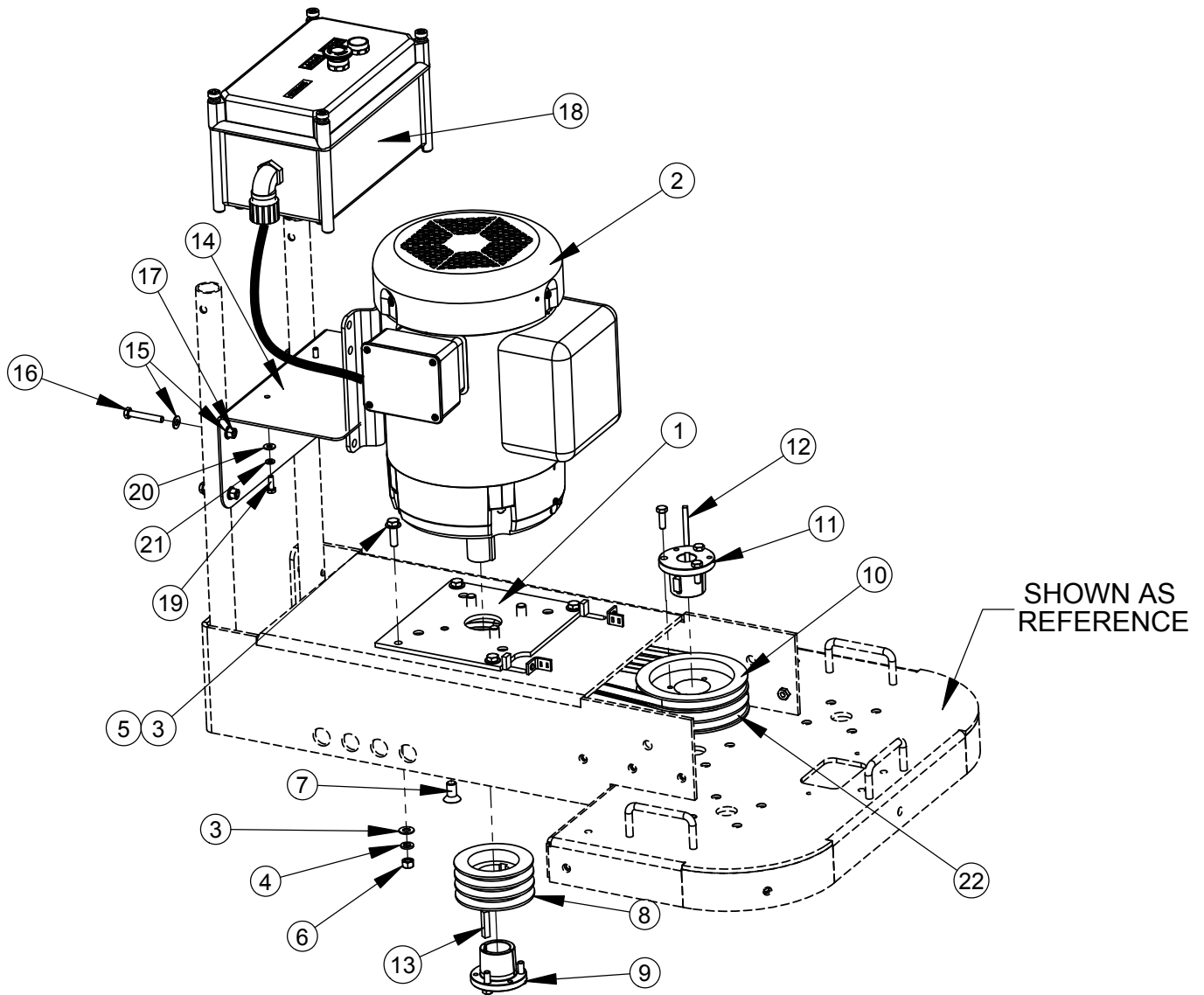
ITEM	PART NO.	QTY.	DESCRIPTION
17	6041121	1	Oil Drain Hose Assembly
	3200462	1	Fitting, M20 x 1.5 to 5/8" M. JIC
	3200440	1	Fitting, 5/8" F. to 1/2" M. JIC
	3200181	1	Fitting, 1/2" F. JIC to 1/2" Pushlok
	6010435	1	Hose, 1/2" I.D. x 3"
	3200163	1	Fitting, 1/2" F. Pipe to 1/2" Push Lock
	3200160	1	Plug, 1/2-14 NPT
18	2501046	1	Throttle Cable Assembly
19	6041062	2	Throttle Spacer
20	6013200	1	3/16 x 19" Fuel Line W/ Clamps
	3200062	2	Hose Clamp #4
21	2900597	2	Cap Screw, Hex Hd., M5-0.8 x 50mm
22	2900926	2	Flat Washer, M5
23	2900301	2	Lock Nut, M5-0.8 Nylon Insert
24	6041032	1	Frame Weldment
25	6041056	2	Handle Support
26	6041023	1	Handle Weldment

## **6018150 CC200 ELECTRIC MOTOR GROUP, 2-HP, 1-PH**



Item	Part No.	Qty.	Description	Item	Part No.	Qty.	Description
1	2600271	1	Motor, 2 HP Baldor, 115V, 1-PH	9	2900301	2	Lock Nut, M5 Nylon
1A	6048229	1	Key, 3/16" Sq. x 1-1/4"	10	6041062	2	Throttle Spacer
2	6041064	1	Motor Adapter Plate	11	2501044	1	Bushing, Taper Lock, 1" Bore
3	2900013	4	Cap Screw, Hex Hd., 3/8-16 x 1-1/4"	11A	2900138	3	Cap Screw, Hex Hd., 5/16-18 x 1"
4	2900014	8	Flat Washer, 3/8" SAE	12	6048134	1	Key, 1/4" Sq. x 2-1/4"
5	2900006	4	Lock Washer, 3/8" Split	13	2501178	1	Sheave, 5.80 - 2 Groove
6	2900033	4	Hex Nut, 3/8-16	14	2501177	1	Sheave, 3.00 - 2 Groove
7	2900235	4	Cap Screw, Flat Soc. Hd., 3/8-16 x 1"	15	2500033	2	V-Belt, 4L-430
8	2900597	2	Cap Screw, Hex Hd., M5 x 50				

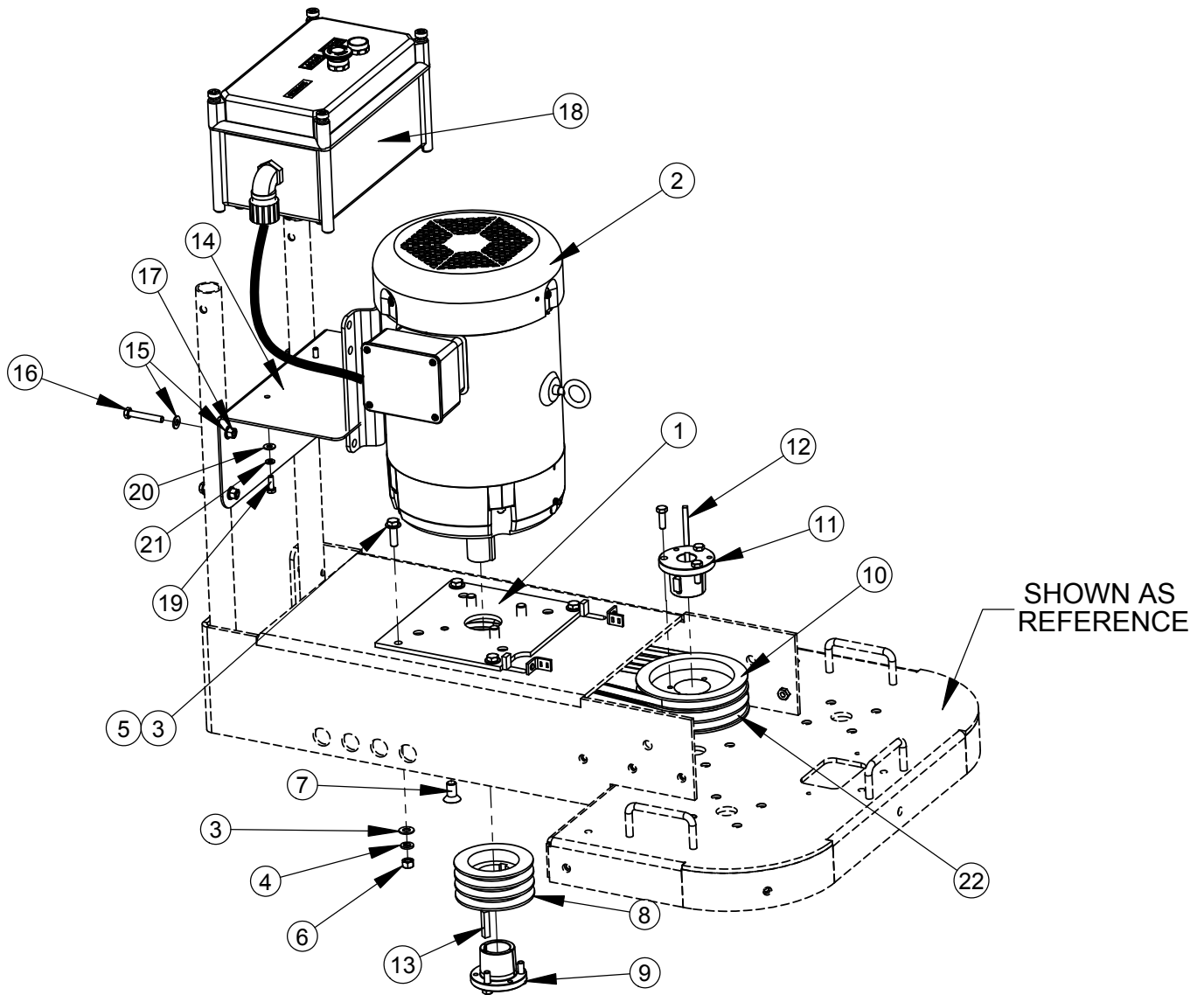
## 6030264 ELECTRIC MOTOR GROUP, 7-1/2 HP, 230V, 1 Ph



ITEM	PART NO.	QTY.	DESCRIPTION
1	6048335	1	Motor Adapter Plate
2	2600119	1	Electric Motor, 7-1/2 HP, 230V, 1 Ph, C-Face
3	2900014	8	Flat Washer, 3/8" SAE
4	2900006	4	Lock Washer, 3/8" Split
5	2900013	4	Cap Screw, Hex Hd., 3/8-16 x 1-1/4"
6	2900033	4	Hex Nut, 3/8-16
7	2900530	4	Cap Screw, Flat Hd., 1/2-13 x 1"
8	2501057	1	Sheave, 4.00-3 Groove
9	2500370	1	Bushing, Taper Lock, 1-3/8" Bore
	2500370B	1	Key, 3/8 x 5/16 x 3/4"
	2900138	3	Cap Screw, Hex Hd., 5/16-18 x 1"
10	2501043	1	Sheave, 6.00-3 Groove

ITEM	PART NO.	QTY.	DESCRIPTION
11	2501044	1	Bushing, Taper Lock, 1" Bore, w/Fasteners
	2900138	3	Cap Screw, Hex Hd., 5/16-18 x 1"
	2501044B	1	Key, 3/8 x 5/16 x 3/4"
12	6048134	1	Key, 1/4" Sq. x 2-1/4"
13	6048046	1	Key, 5/16" Sq. x 1-1/2"
14	6041154	1	Bracket, Electric Box
15	2900022	8	Flat Washer, 5/16" SAE
16	2900494	4	Cap Screw, Hex Hd., 5/16-18 x 2"
17	2900039	4	Lock Nut, 5/16-18 Nylon
18	6048506	1	Starter Box Assy., 220-240V, 1PH.
19	2900144	4	Cap Screw, Hex Hd., 1/4-20 x 3/4"
20	2900009	4	Flat Washer, 1/4" SAE
21	2900024	4	Lock Washer, 1/4" Split
22	2501162	3	V-Belt, 4L400

## 6030397 ELECTRIC MOTOR GROUP, 7-1/2 HP, 230V

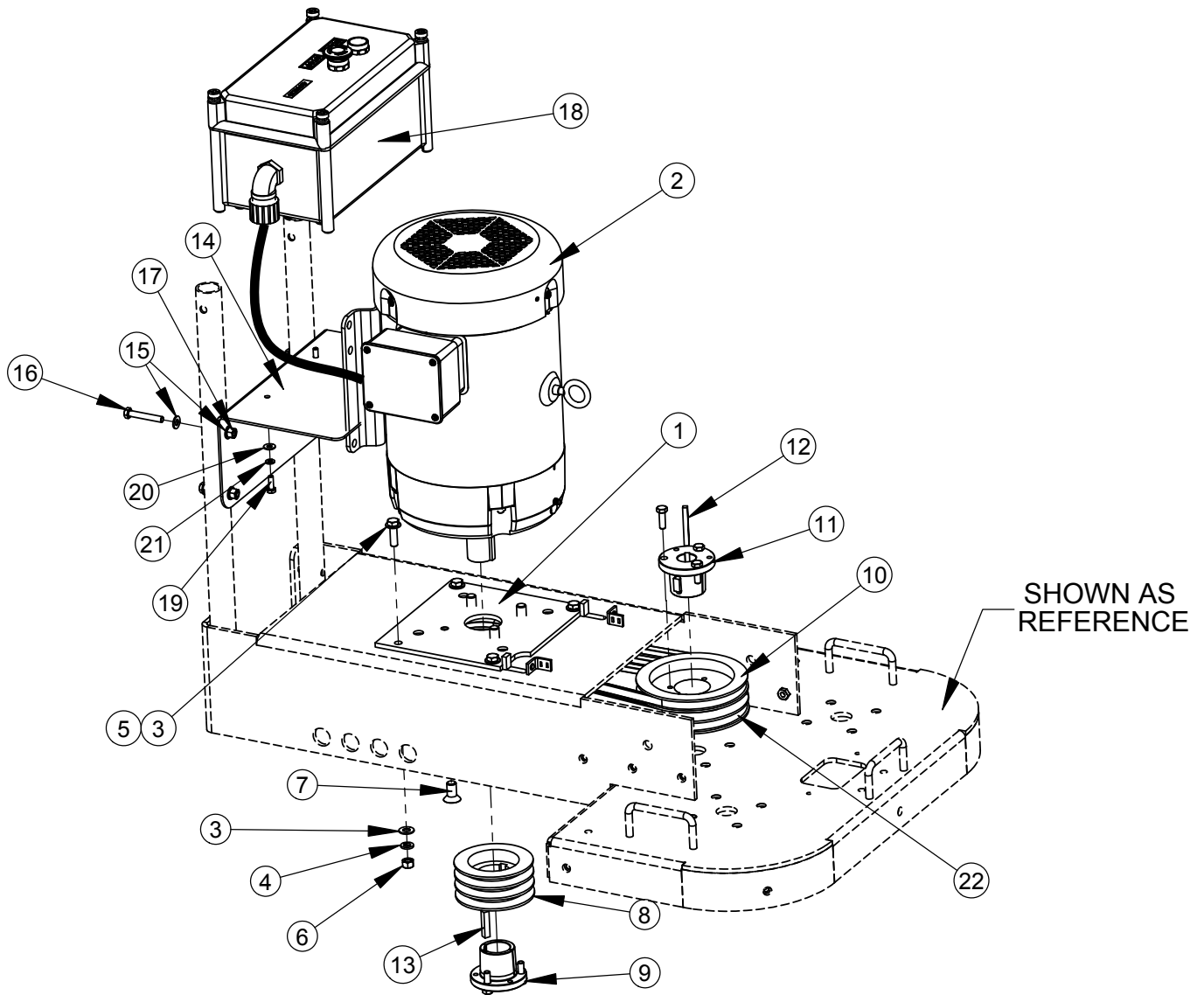


SHOWN AS  
REFERENCE

ITEM	PART NO.	QTY.	DESCRIPTION
1	6048335	1	Motor Adapter Plate
2	2600128	1	Electric Motor, 7-1/2 HP, 3 Ph, C-Face
3	2900014	8	Flat Washer, 3/8" SAE
4	2900006	4	Lock Washer, 3/8" Split
5	2900013	4	Cap Screw, Hex Hd., 3/8-16 x 1-1/4"
6	2900033	4	Hex Nut, 3/8-16
7	2900530	4	Cap Screw, Flat Hd., 1/2-13 x 1"
8	2501057	1	Sheave, 4.00-3 Groove
9	2500370	1	Bushing, Taper Lock, 1-3/8" Bore
	2500370B	1	Key, 3/8 x 5/16 x 3/4"
	2900138	3	Cap Screw, Hex Hd., 5/16-18 x 1"
10	2501043	1	Sheave, 6.00-3 Groove

ITEM	PART NO.	QTY.	DESCRIPTION
11	2501044	1	Bushing, Taper Lock, 1" Bore, w/Fasteners
	2900138	3	Cap Screw, Hex Hd., 5/16-18 x 1"
	2501044B	1	Key, 3/8 x 5/16 x 3/4"
12	6048134	1	Key, 1/4" Sq. x 2-1/4"
13	6048046	1	Key, 5/16" Sq. x 1-1/2"
14	6041154	1	Bracket, Electric Box
15	2900022	8	Flat Washer, 5/16" SAE
16	2900494	4	Cap Screw, Hex Hd., 5/16-18 x 2"
17	2900039	4	Lock Nut, 5/16-18 Nylon
18	4645261	1	Starter Box Assy., 220-240V
19	2900144	4	Cap Screw, Hex Hd., 1/4-20 x 3/4"
20	2900009	4	Flat Washer, 1/4" SAE
21	2900024	4	Lock Washer, 1/4" Split
22	2501162	3	V-Belt, 4L400

## 6030450 ELECTRIC MOTOR GROUP, 7-1/2 HP, 460V

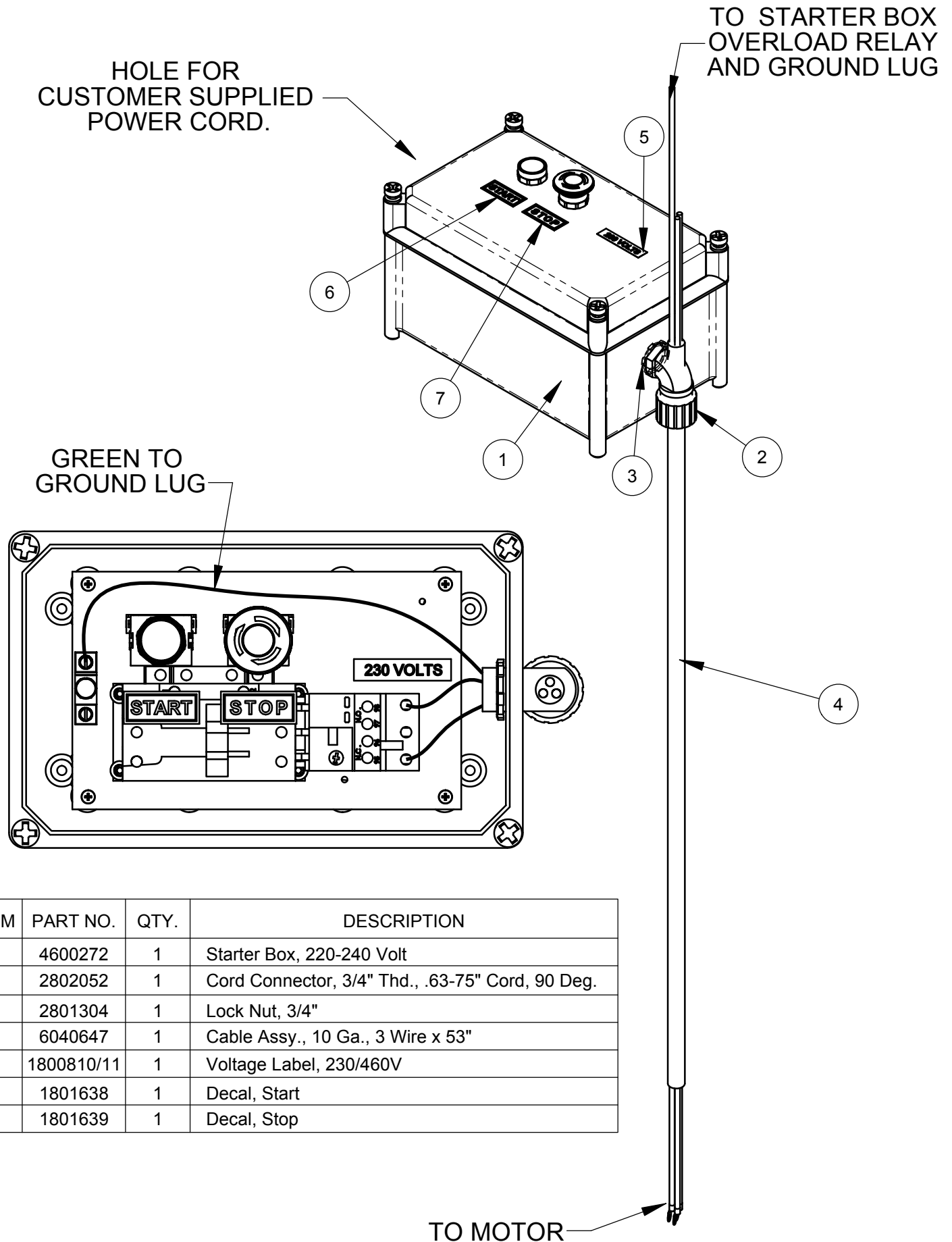


SHOWN AS  
REFERENCE

ITEM	PART NO.	QTY.	DESCRIPTION
1	6048335	1	Motor Adapter Plate
2	2600128	1	Electric Motor, 7-1/2 HP, 3 Ph, C-Face
3	2900014	8	Flat Washer, 3/8" SAE
4	2900006	4	Lock Washer, 3/8" Split
5	2900013	4	Cap Screw, Hex Hd., 3/8-16 x 1-1/4"
6	2900033	4	Hex Nut, 3/8-16
7	2900530	4	Cap Screw, Flat Hd., 1/2-13 x 1"
8	2501057	1	Sheave, 4.00-3 Groove
9	2500370	1	Bushing, Taper Lock, 1-3/8" Bore
	2500370B	1	Key, 3/8 x 5/16 x 3/4"
	2900138	3	Cap Screw, Hex Hd., 5/16-18 x 1"
10	2501043	1	Sheave, 6.00-3 Groove

ITEM	PART NO.	QTY.	DESCRIPTION
11	2501044	1	Bushing, Taper Lock, 1" Bore, w/Fasteners
	2900138	3	Cap Screw, Hex Hd., 5/16-18 x 1"
	2501044B	1	Key, 3/8 x 5/16 x 3/4"
12	6048134	1	Key, 1/4" Sq. x 2-1/4"
13	6048046	1	Key, 5/16" Sq. x 1-1/2"
14	6041154	1	Bracket, Electric Box
15	2900022	8	Flat Washer, 5/16" SAE
16	2900494	4	Cap Screw, Hex Hd., 5/16-18 x 2"
17	2900039	4	Lock Nut, 5/16-18 Nylon
18	4645262	1	Starter Box Assy., 415-480V
19	2900144	4	Cap Screw, Hex Hd., 1/4-20 x 3/4"
20	2900009	4	Flat Washer, 1/4" SAE
21	2900024	4	Lock Washer, 1/4" Split
22	2501162	3	V-Belt, 4L400

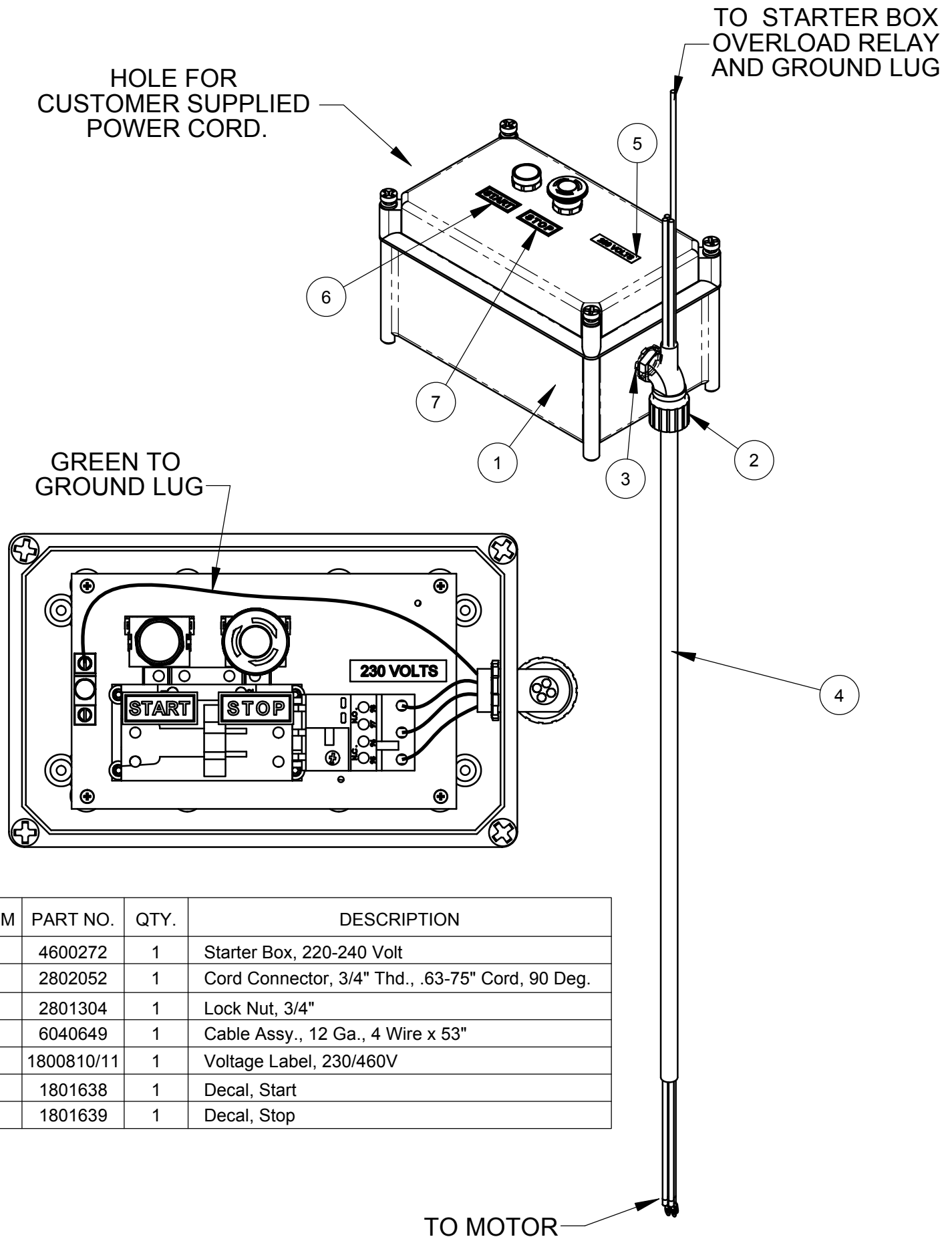
# 6048506 STARTER BOX ASSEMBLY, 220-240 VOLT, 1 PH



ITEM	PART NO.	QTY.	DESCRIPTION
1	4600272	1	Starter Box, 220-240 Volt
2	2802052	1	Cord Connector, 3/4" Thd., .63-75" Cord, 90 Deg.
3	2801304	1	Lock Nut, 3/4"
4	6040647	1	Cable Assy., 10 Ga., 3 Wire x 53"
5	1800810/11	1	Voltage Label, 230/460V
6	1801638	1	Decal, Start
7	1801639	1	Decal, Stop

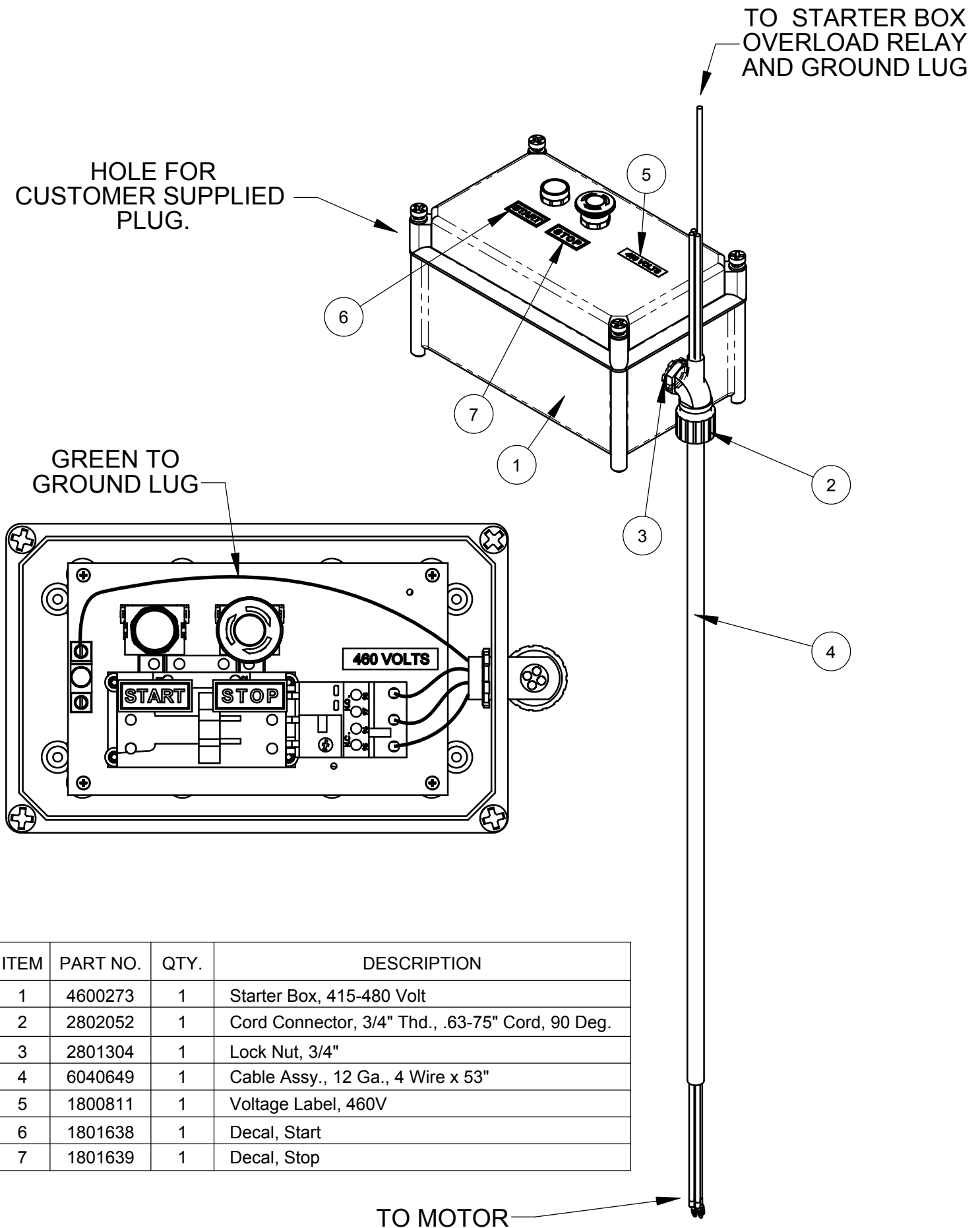


# 4645261 STARTER BOX ASSEMBLY, 220-240 VOLT



ITEM	PART NO.	QTY.	DESCRIPTION
1	4600272	1	Starter Box, 220-240 Volt
2	2802052	1	Cord Connector, 3/4" Thd., .63-75" Cord, 90 Deg.
3	2801304	1	Lock Nut, 3/4"
4	6040649	1	Cable Assy., 12 Ga., 4 Wire x 53"
5	1800810/11	1	Voltage Label, 230/460V
6	1801638	1	Decal, Start
7	1801639	1	Decal, Stop

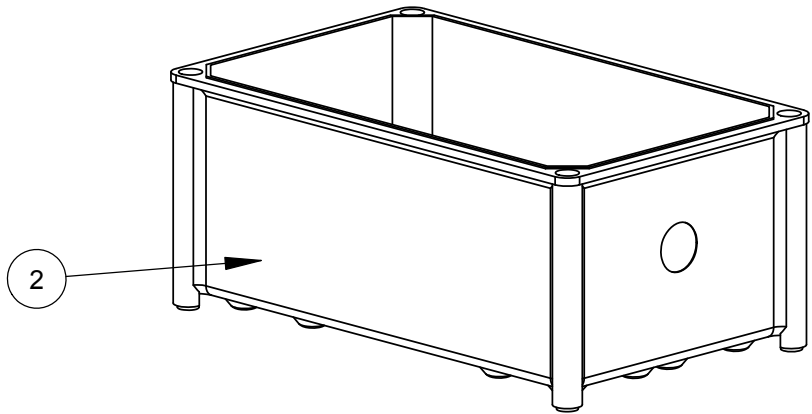
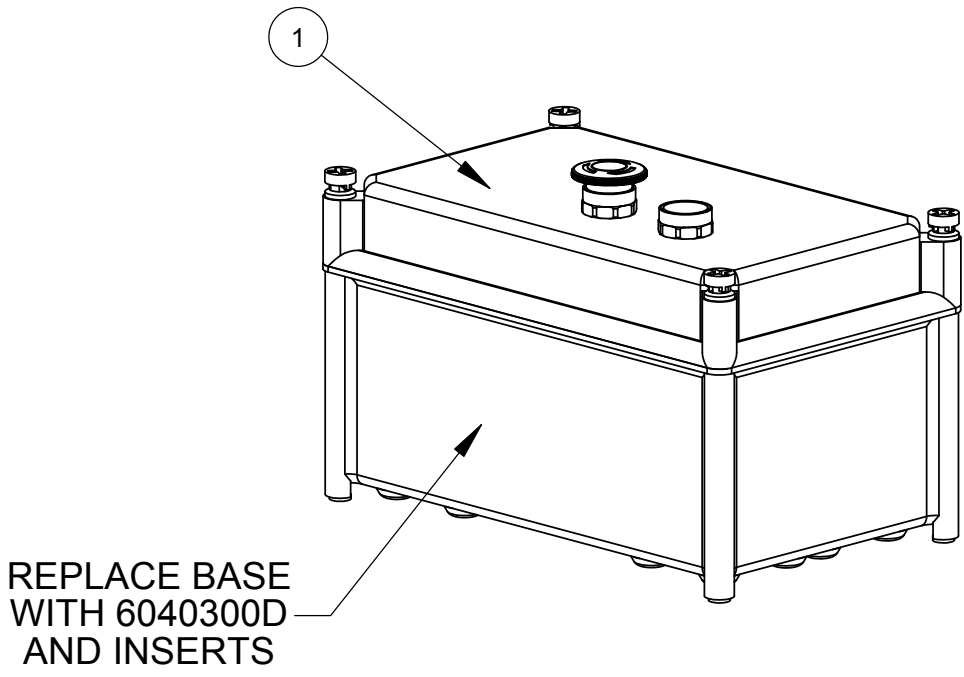
## 4645262 STARTER BOX ASSEMBLY, 415-480 VOLT



ITEM	PART NO.	QTY.	DESCRIPTION
1	4600273	1	Starter Box, 415-480 Volt
2	2802052	1	Cord Connector, 3/4" Thd., .63-75" Cord, 90 Deg.
3	2801304	1	Lock Nut, 3/4"
4	6040649	1	Cable Assy., 12 Ga., 4 Wire x 53"
5	1800811	1	Voltage Label, 460V
6	1801638	1	Decal, Start
7	1801639	1	Decal, Stop

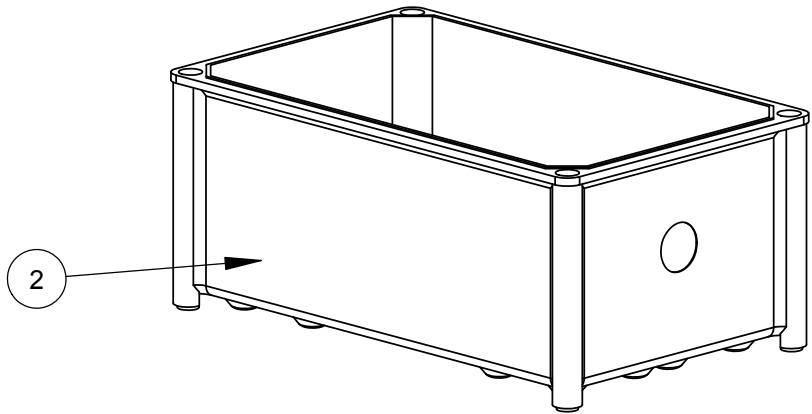
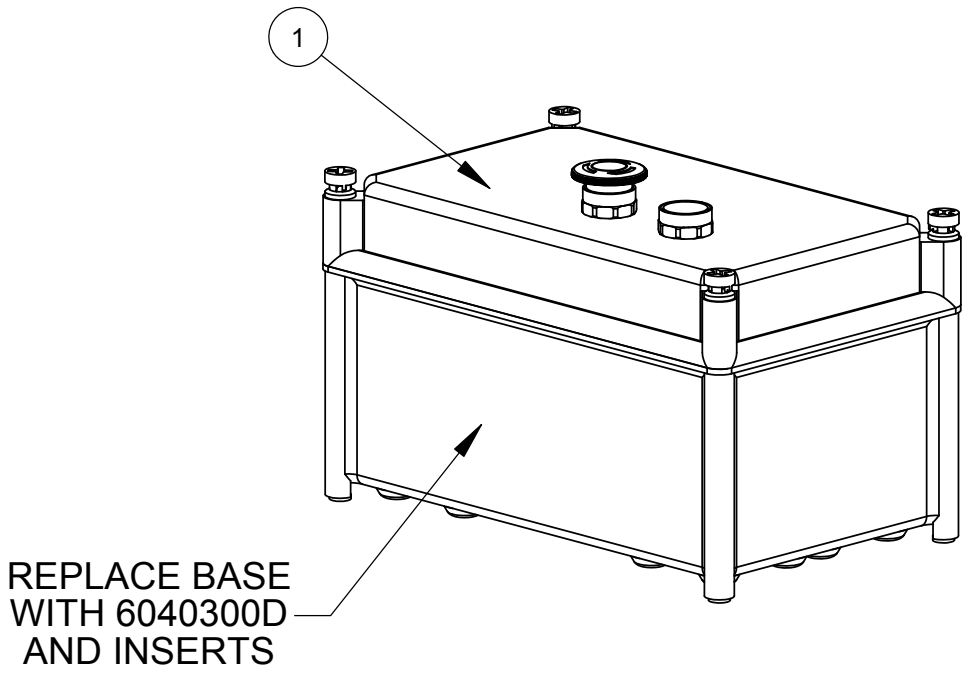


**4600272 STARTER BOX, 220-240 VOLT**



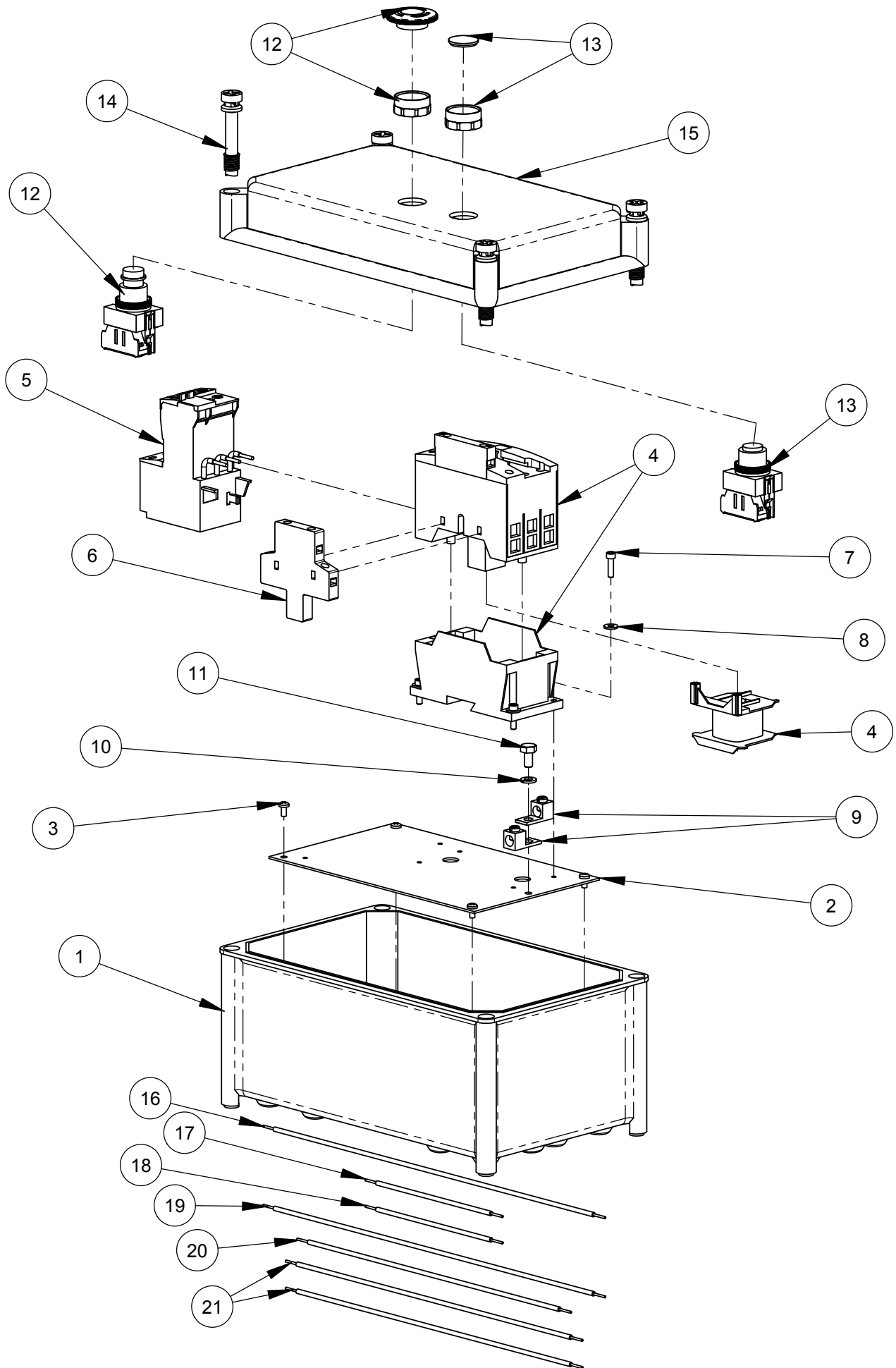
ITEM	PART NO.	QTY.	DESCRIPTION
1	2801032	1	Starter Box, 220-240V
2	6040300D	1	Starter Box Base
3	2901332	4	1/4-20 Threaded Insert

**4600273 STARTER BOX, 415-480 VOLT**

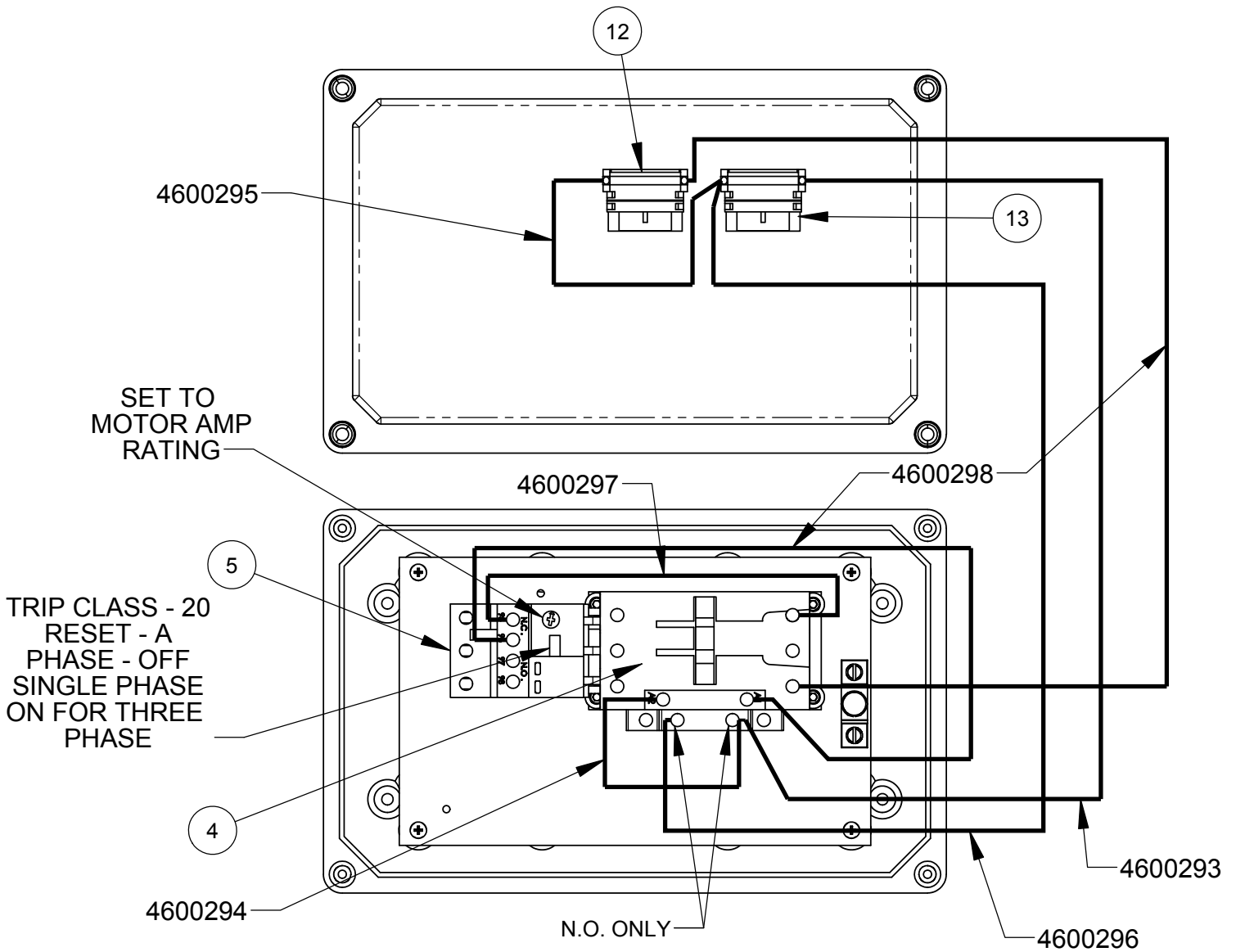


ITEM	PART NO.	QTY.	DESCRIPTION
1	2801031	1	Starter Box, 415-480V
2	6040300D	1	Starter Box Base
3	2901332	4	1/4-20 Threaded Insert

# 2801032 STARTER BOX, 220-240 VOLT

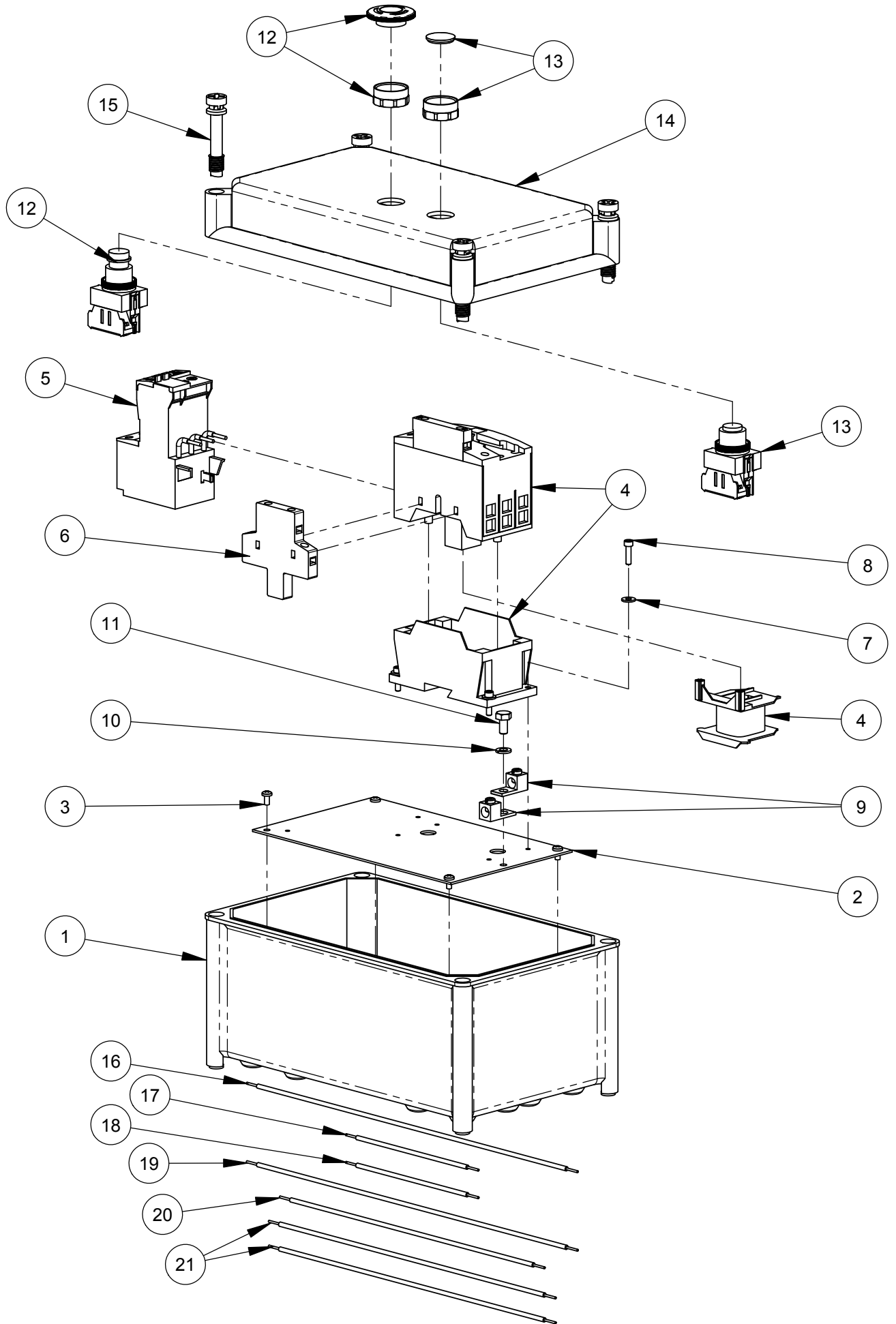


## 2801032 STARTER BOX, 220-240 VOLT



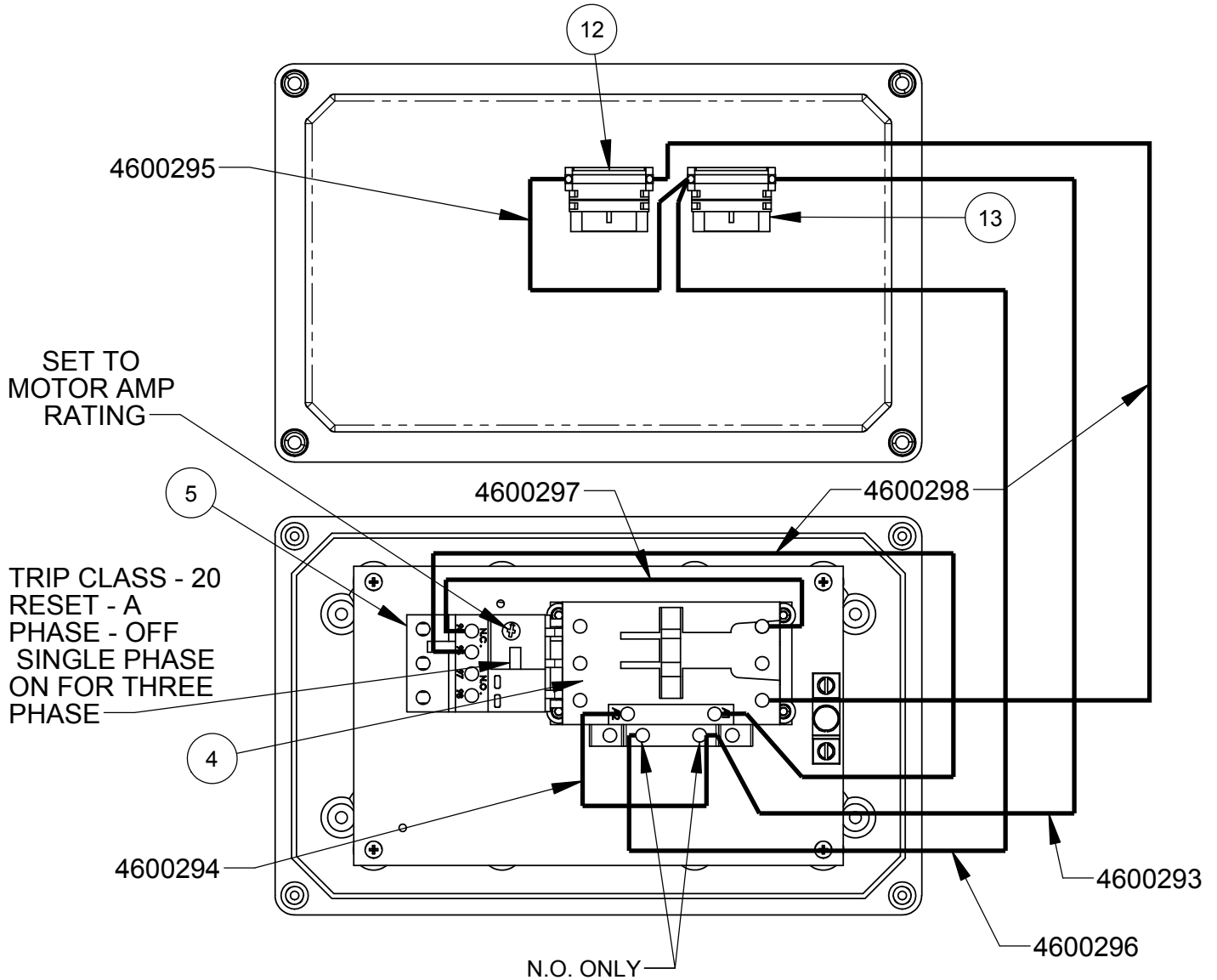
ITEM	PART NO.	QTY.	DESCRIPTION	ITEM	PART NO.	QTY.	DESCRIPTION
1	2702419	1	Electrical Box (Base)	11	2901891	1	Cap Screw, Hex Hd., 1/4-28 x 1/2"
2	6040598	1	Sub-plate	12	2801636	1	E-Stop Switch, 600V, NC
3	2900676	4	Machine Screw, Pan Hd., M4-0.7 x 8mm	13	2801639	1	Pushbutton, N.O., 600V
4	2801704	1	Contactor, 220-240V (includes coil)	14	2701414	4	Fastener, Electrical Box Top
	2801265	1	Replacement Coil, 220-240V	15	6048296	1	Electric Box Cover, 2 Hole
5	2801699	1	Overload Relay, 9-45 AMP	16	4600293	1	Wire, 14 Gage, Yellow, 15"
6	2801676	1	Auxiliary Contacts, 1NO-NC	17	4600294	1	Wire, 14 Gage, Yellow, 6"
7	2901827	4	Cap Screw, Soc. Hd., #8-32 x 5/8"	18	4600295	1	Wire, 14 Gage, Black, 6"
8	2901437	4	Flat Washer, #10	19	4600296	1	Wire, 14 Gage, Black, 15"
9	2800315	2	Grounding Lug	20	4600297	1	Wire, 14 Gage, Red, 12"
10	2900024	1	Lock Washer, 1/4" Split	21	4600298	2	Wire, 14 Gage, Red, 13"

# 2801031 STARTER BOX, 415-480 VOLT





## 2801031 STARTER BOX, 415-480 VOLT



ITEM	PART NO.	QTY.	DESCRIPTION	ITEM	PART NO.	QTY.	DESCRIPTION
1	2702419	1	Electrical Box (Base)	11	2901891	1	Cap Screw, Hex Hd., 1/4-28 x 1/2"
2	6040598	1	Sub-plate	12	2801636	1	E-Stop Switch, 600V, NC
3	2900676	4	Machine Screw, Pan Hd., M4-0.7 x 8mm	13	2801639	1	Pushbutton, N.O., 600V
4	2801707	1	Contactor, 415-480V (Includes Coil)	14	6048296	1	Electric Box Cover, 2 Hole
	2801266	1	Replacement Coil, 415-480V	15	2701414	4	Fastener, Electrical Box Top
5	2801699	1	Overload Relay, 9-45 AMP	16	4600293	1	Wire, 14 Gage, Yellow, 15"
6	2801676	1	Auxiliary Contacts, 1NO-NC	17	4600294	1	Wire, 14 Gage, Yellow, 6"
7	2901437	4	Flat Washer, #10	18	4600295	1	Wire, 14 Gage, Black, 6"
8	2901827	4	Cap Screw, Soc. Hd., #8-32 x 5/8"	19	4600296	1	Wire, 14 Gage, Black, 15"
9	2800315	2	Grounding Lug	20	4600297	1	Wire, 14 Gage, Red, 12"
10	2900024	1	Lock Washer, 1/4" Split	21	4600298	2	Wire, 14 Gage, Red, 13"

## FLOOR GRINDER ACCESSORIES

<b>FLOOR GRINDING HEADS – HEAVY DUTY ORANGE</b>		
SIZE – No. of Segments	Hard Non-Abrasive Material Cat. No.	Soft Abrasive Material Cat. No.
10" Head, 12 Seg.	11393	23592
10" Head, 12 Seg.	11401	11398
12" Head, 24 Seg.	39534	38541

<b>FLOOR GRINDING HEADS – PREMIUM BLACK</b>		
SIZE – No. of Segments	Hard Non-Abrasive Material Cat. No.	Soft Abrasive Material Cat. No.
10" Head, 12 Seg.	11406	20198
12" Head, 12 Seg.	41193	41194
10" Head, 24 Seg.	23823	11410
12" Head, 24 Seg.	39164	40051

<b>GRINDING BLOCKS*</b>		
Part No.	Application	Specs.
GB4000	General Purpose	GB50
GB4000	Abrasive Concrete	GB60
GB4000	Epoxy Mortars	GB64
<b>Terrazzo Grinding</b>		
GB4000	60 Grit	GT60
GB4000	80 Grit	GT80
GB4000	120 Grit	GT120

\*Designed for use with Dual Head Floor Grinders.  
Sold in sets of six.

<b>ABRASIVE GRINDING STONES</b>	
Size/Grit	Cat. No.
Course 2" x 2" x 4"	35067
Medium 2" x 2" x 4"	35063
Fine 2" x 2" x 4"	35066
Wooden Wedges 4" x 3/4" x 3/16	WEDGES

Application: ABGS – Heavy Duty Grade. For removal and grinding on concrete, stone, terrazzo, and brick.

<b>CARBIDE CUTTING BLOCKS*</b>	
Part No.	Description
CCB4000	Carbide Cutting Block
CCBI4000	Carbide Cutting Insert

\* For use with Dual Head Floor Grinders



## EQUIPMENT AND PARTS WARRANTY

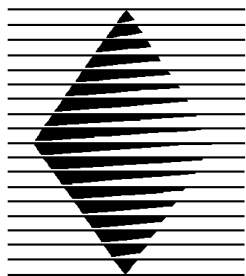
Diamond Products warrants all equipment manufactured by it against defects in workmanship or materials for a period of one (1) year from the date of shipment to Customer.

The responsibility of Diamond Products under this Warranty is limited to replacement or repair of defective parts at Diamond Products' Elyria, Ohio factory, or at a point designated by it, of such parts as shall appear to us upon inspection at such parts, to have been defective in material or workmanship, with expense for transportation and labor borne by Customer.

In no event shall Diamond Products be liable for consequential or incidental damages arising out of the failure of any Product to operate properly.

Integral units such as engines, electric motors, batteries, transmissions, etc., are excluded from this Warranty and are subject to the prime manufacturer's warranty.

**THIS WARRANTY IS IN LIEU OF ALL OTHER WARRANTIES, EXPRESSED OR IMPLIED, AND ALL SUCH OTHER WARRANTIES ARE HEREBY DISCLAIMED.**



# DIAMOND PRODUCTS

333 Prospect Street, Elyria, Ohio 44035  
(440) 323-4616 • (800) 321-5336 • Fax (440) 323-8689

[www.diamondproducts.com](http://www.diamondproducts.com)