



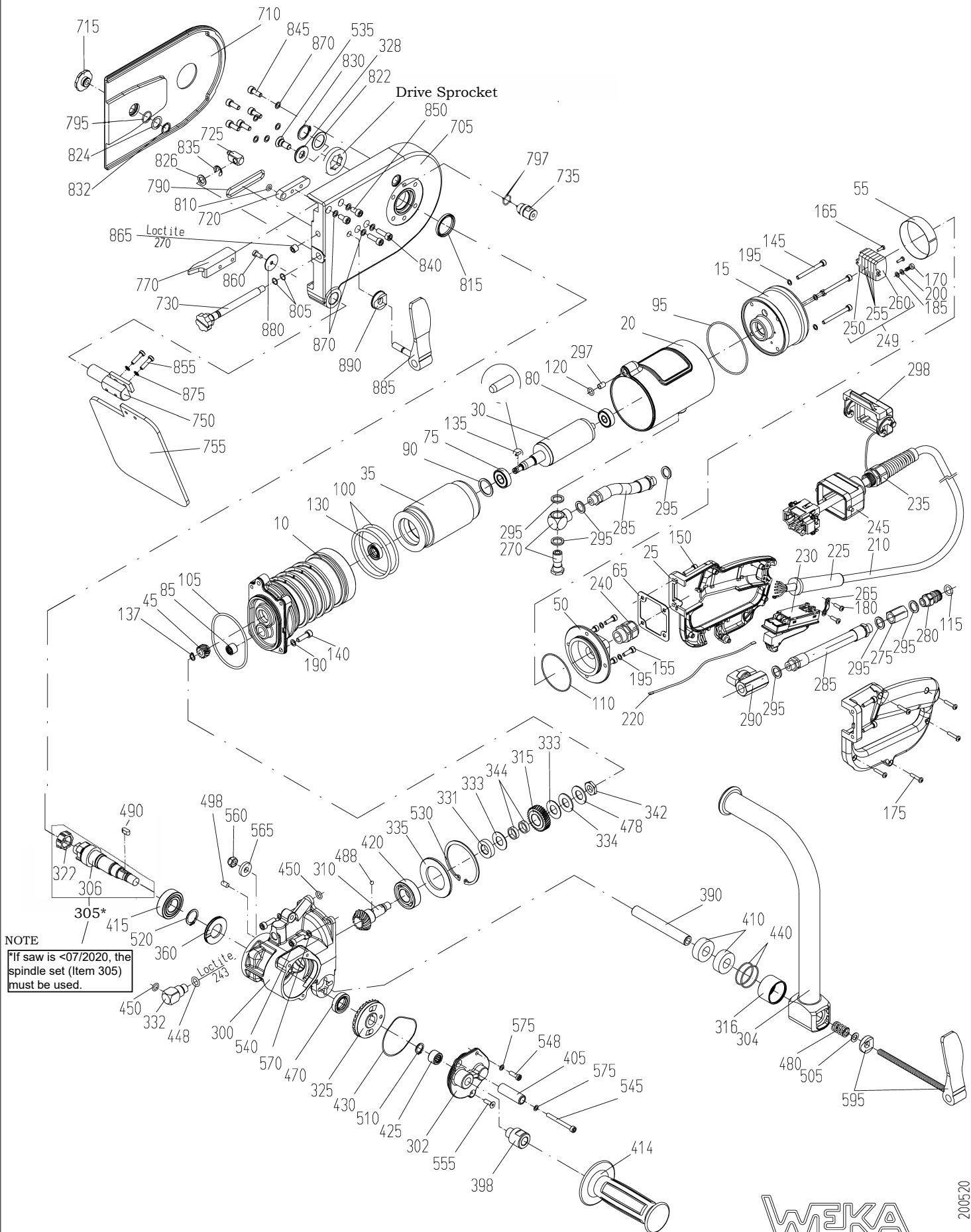
**CORE CUT
PARTS LIST**

**CSE16 HIGH-CYCLE
CHAINSAW**

DECEMBER, 2023

CSE16HF

Drive Sprocket



NOTE
*If saw is <07/2020, the spindle set (Item 305) must be used.

CSE16 PARTS

ITEM	Part #	QTY	DESCRIPTION	EXT
10	2708730	1	Motorcase	
15	2708731	1	Motor Top Case	
20	2708732	1	Case Sleeve	
25	2707551	1	Switch Handle cpl.	
30	2708733	1	Rotor with Bearings	
35	2708734	1	Stator cpl.	
45	2708735	1	Rotor Pinion	
50	2708736	1	Motor Top Case Hood incl. Item 65, 110	
55	2708737	1	Insulation Film	
65	2701567	1	Terminal Case Packing	
75	2700664	1	Ball Bearing	
80	2708738	1	Ball Bearing	
85	2708739	1	Needle Bush	BK1010
90	2700666	1	Compensation Washer	
95	2700710	1	O-Ring	RDR78X2
100	2708740	2	O-Ring	RDR74X4
105	2702498	1	O-Ring	RDR72X2
110	2708642	1	O-Ring	RDR55X2
115	2700712	1	O-Ring	RDR11x2,5
120	2708809	1	O-Ring	RDR8x2
130	2703241	1	Rotary Shaft Seal	RWD12x24x7A
135	2708742	1	Parallel Pin	
137	2708743	1	Retaining Ring	8x0,8
140	2701049	2	Hex. Socket Head Screw	M6x20
145	2700732	4	Hex. Socket Head Screw	M5x50
150	2707564	4	Hex. Socket Head Screw	M5x20
155	2708811	4	Hex. Socket Head Screw	M5x16
165	2708744	2	Cheese head screw	M3x10
170	2700674	1	Sl. Pan Head Screw	M4x6
175	2700676	5	Pan Head Tapping Screw	F3,9x19 (BZ)
180	2702986	2	Pan Head Tapping Screw	F3,9x13 (BZ)
185	2700680	1	Curved Spring Washer	A4
190	2700826	2	Locking Washer	SM6
195	2700735	8	Locking Washer	SM5
200	2700681	1	Medium Washer	4,3x8x0,5 Ms
210	2708745	1	Cord cpl. with male insert, Pos.	6G1,5x4,4 10P
220	2709841	1	Switch Strand	1,5²x200
225	2707556	1	Cord Sleeve	D12
230	2707533	1	Motor Switch	
235	2708747	1	Cord Gland	M20x1,5 7-13 EMV
240	2708748	1	Cord Gland	M20x1,5 6x2,5
245	2708749	1	Hood	6B EMV
249	2709600	1	Terminal Block cpl. with marking	
250	2708750	1	End Terminal Block with Fixing Flange	
255	2708751	4	Center Terminal Block	
260	2708752	1	End Plate with Fixing Flange	
265	2700686	1	Cord Clamping Piece	

CSE16 PARTS

ITEM	Part #	QTY	DESCRIPTION	EXT
270	2701094	1	Angle Screwing	G 1/4"
275	2703211	1	Socket	
280	2700706	1	Quick Connect Nipple	
285	2701939	2	Hose Piece cpl. with nipples	
290	2707565	1	Ball Valve	
295	2700717	7	Sealing Ring	G1/4"
297	2708753	1	Fixing Sleeve	
298	2708754	1	Protective Hood	
300	2708755	1	Gear Box incl. Item 332, 448, 2x450, 498	
302	2708756	1	Bearing Hood inkl. Fig. 430	
304	2708757	1	Handle	
305	2708758	1*	Spindle Set, complete with Item 322 & 328	Use if < 07/2020
306	2709638	1	Spindle	> 07 / 2020
310	2708759	1	Pinion Shaft	
315	2708760	1	Spur W heel	
316	2708761	1	Sleeve	
322	2709639	1	Tooth Sleeve	> 07 / 2020
325	2708762	1	Spindle W heel	
328	2709640	1	Countersunk W asher	> 07 / 2020
331	2708763	1	Supporting Disc	
332	2708765	1	Hollow Screw	
333	2700703	2	Brake Disc	
334	2700704	1	Pressure Disk	
335	2708766	1	Pressure Disk	
342	2708767	1	Hexagon Nut	
344	2700699	2	Bearing Socket	
360	2708768	1	Supporting Disk	
390	2708769	1	Handle Axle	
398	2708770	1	Distance Bolt	
405	2708771	1	Stop Sleeve	
410	2708772	2	Adjust Sleeve	
414	2700707	1	Handle	
415	2708773	1	Ball Bearing	6004 2RS
420	2708774	1	Ball Bearing	6004
425	2708775	1	Needle Bush	HK1212
430	2708776	1	O-Ring	RDR60x2
440	2701866	2	O-Ring	RDR32x1,5
448	2708777	1	O-Ring	RDR10x2,5
450	2708809	2	O-Ring	RDR8x2
470	2708778	1	Rotary Shaft Seal	RW D16x30x7A
478	2700718	1	Disk Spring	
480	2708779	1	Pressure Spring	2,0x12,5x22,5
488	2700811	1	Ball	5
490	2708780	1	Parallel Key	A5x5x12
498	2700816	1	Parallel Pin	6m 6x10

CSE16 PARTS

ITEM	Part #	QTY	DESCRIPTION	EXT
505	2708781	1	Shim Ring	PS8x14x1
510	2708782	1	Retaining Ring	13x1
520	2708810	1	Retaining Ring	20x1,2
530	2708783	1	Tapered Retaining Ring	JB62x2,05
535	2709641	1	Countersunk Head Screw	> 07 / 2020
540	2701049	2	Hex. Socket Head Screw	M6x20
545	2700732	1	Hex. Socket Head Screw	M5x50
548	2708811	1	Hex. Socket Head Screw	M5x16
555	2702574	1	Count. Head Screw	M5x16
560	2708727	1	Hexagon Nut with prevailing torque insert	M8
565	2708784	1	Medium Washer	8,4x21x4
570	2700826	2	Locking Washer	SM6
575	2700735	2	Locking Washer	SM5
595	2708785	1	Cam Lever cpl. with Pressure Disc	M8
705	2708787	1	Chain Case incl. Item 790, 815, 865	
710	2708788	1	Cover	
715	2708789	1	Knurled Nut	
720	2708790	1	Parallel Key	
725	2708452	1	Adjustment Block	
730	2708451	1	Adjustment Screw cpl. w. Item 2x805, 826,	
735	2708791	1	Hollow Screw	
750	2708792	1	Splash Guard Holder	
755	2708728	1	Splash Guard	
770	2708793	1	Wall Claw	
790	2708794	1	O-Ring	RDR47x3
795	2708795	1	O-Ring	RDR15x1,5
797	2702522	1	O-Ring	RDR13x1,5
805	2708668	2	O-Ring	RDR8x1
810	2708796	1	O-Ring	RDR6x2
815	2708797	1	Rotary Shaft Seal	RW D28x35x4
822	2705397	1*	Shim Ring	PS20x28x1
824	2708798	1	Shim Ring	PS14x20x0,5
826	2708669	1	Shim Ring	PS10x16x1
830	2708810	1*	Retaining Ring	20x1,2
832	2700726	1	Retaining Ring	AV14
835	2708670	1	Retaining Ring	RA8
840	2701049	2	Hex. Socket Head Screw	M6x20
845	2708799	5	Hex. Socket Head Screw	M6x16
850	2708800	2	Hex. Socket Head Screw	M6x12
855	2700671	2	Hex. Socket Head Screw	M5x20
860	2708801	1	Slotted Cheese Head Screw	M5x10
865	2708319	1	Locking Screw	R1/8"
870	2700826	9	Locking Washer	SM6
875	2700735	2	Locking Washer	SM5

CSE16 PARTS

ITEM	Part #	QTY	DESCRIPTION	EXT
880	2708802	1	KF-W asher	5,3x25x1,25
885	2708803	1	Cam Lever cpl. with Pressure Disc Item 890	M8
890	2708805	1	Pressure Disc	
	2708806	1	Male Insert without Male Contacts (Not Shown)	10P
	2708807	5	Male Contact (Not Shown)	1,5 ²
	2708786	1	Gear Oil (Not Shown)	90ml
	2708808	1	Coding Bridge (Not Shown)	
	2710058	1	Bent Wrench SW24 (Not Shown)	
	2710176	1	Hex Angle Screwdriver SW6 (Not Shown)	

EQUIPMENT AND PARTS WARRANTY

Diamond Products warrants all equipment manufactured by it against defects in workmanship or materials for a period of 1 year from the date of shipment to Customer. The responsibility of Diamond Products under this Warranty is limited to replacement or repair of defective parts at Diamond Products' Elyria, Ohio factory, or at a point designated by it, of such parts as shall appear to us upon inspection at such parts, to have been defective in material or workmanship, with expense for transportation and labor borne by Customer. In no event shall Diamond Products be liable for consequential or incidental damages arising out of the failure of any Product to operate properly.

THIS WARRANTY IS IN LIEU OF ALL OTHER WARRANTIES, EXPRESSED OR IMPLIED, AND ALL SUCH OTHER WARRANTIES ARE HEREBY DISCLAIMED.



333 Prospect Street, Elyria, Ohio 44035
(440) 323-4616 • (800) 321-5336 • Fax (800) 634-4035
www.diamondproducts.com