



**CORE VAC
PARTS LIST**

CV150C

ELECTRIC VAC

FEBRUARY, 2022

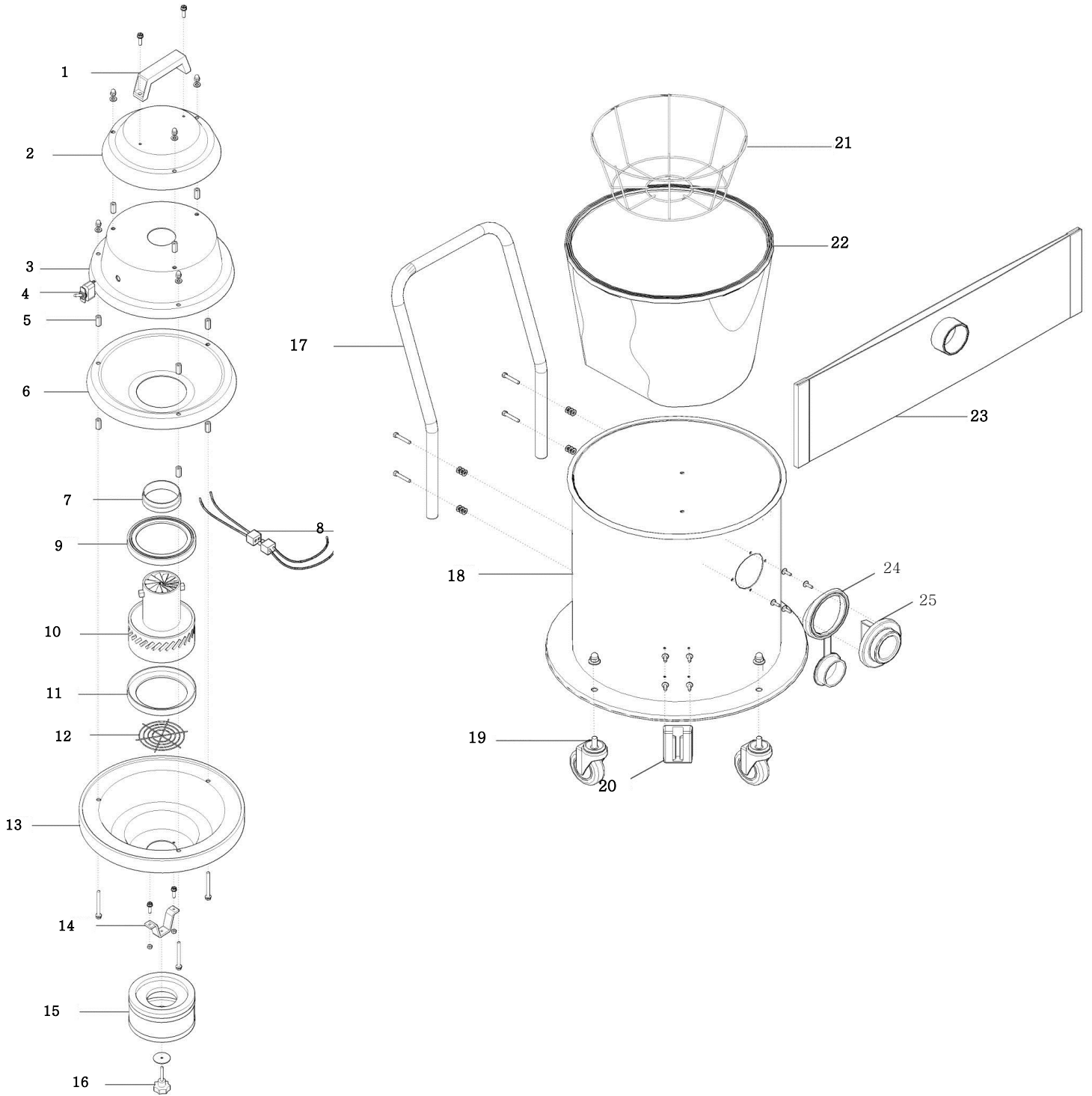
CV150C PARTS LIST

Table of Contents

CV150C..... 4

CV150C PARTS LIST

CV150C



ITEM	DP #	QTY	DESCRIPTION
1	2508586	1	HEAD HANDLE
2	2508591	1	TOP HEAD COVER
3	2508592	1	MID COVER
4	2508585	1	ON/OFF SWITCH
5	2508593	9	LONG NUT
6	2508594	1	MID COVER
7	2508595	1	MOTOR COVER TOP
8	2508596	1	MOTOR&ON/OFF SWITCH CABLE CONNECTER
9	2508597	1	MOTOR COVER MID
10	2508581	1	MAIN MOTOR
11	2508598	1	MOTOR COVER LOW
12	2508599	1	MASH COVER
13	2508600	1	END HEAD COVER
14	2508601	1	FILTER BRIDGE
15	2508576	1	HEPA FILTER
16	2508602	1	FILTER BOLT
17	2508620	1	HANDLE
18	2508603	1	MAIN DRUM
19	2508582	4	TURN WHEEL 2.5"
20	2508604	2	HANGING STAND
21	2508605	1	FILTER FRAME
22	2508577	1	FILTER
23	2508578	1	COLLECTION BAG
24	2508606	1	SUCTION HOLE CAP
25	2508607	1	SUCTION HOLE

EQUIPMENT AND PARTS WARRANTY

Diamond Products warrants all equipment manufactured by it against defects in workmanship or materials for a period of one (1) year from the date of shipment to Customer.

The responsibility of Diamond Products under this Warranty is limited to replacement or repair of defective parts at Diamond Products' Elyria, Ohio factory, or at a point designated by it, of such parts as shall appear to us upon inspection at such parts, to have been defective in material or workmanship, with expense for transportation and labor borne by Customer.

In no event shall Diamond Products be liable for consequential or incidental damages arising out of the failure of any Product to operate properly.

Integral units such as engines, electric motors, batteries, transmissions, etc., are excluded from this Warranty and are subject to the prime manufacturer's warranty.

THIS WARRANTY IS IN LIEU OF ALL OTHER WARRANTIES, EXPRESSED OR IMPLIED, AND ALL SUCH OTHER WARRANTIES ARE HEREBY DISCLAIMED.



333 Prospect Street, Elyria, Ohio 44035
(440) 323-4616 • (800) 321-5336 • Fax (800) 634-4035
www.diamondproducts.com