



**CORE VAC
PARTS LIST**

**CV258B
ELECTRIC VAC**

JULY, 2024

Table of Contents

Head 4
Filter Parts 5
Filter Cleaner 6
Mid Drum 7
Low Drum 8
Frame 9
Additional Parts 10
Notes..... 12
Warranty..... 14

CV258B PARTS LIST

Head

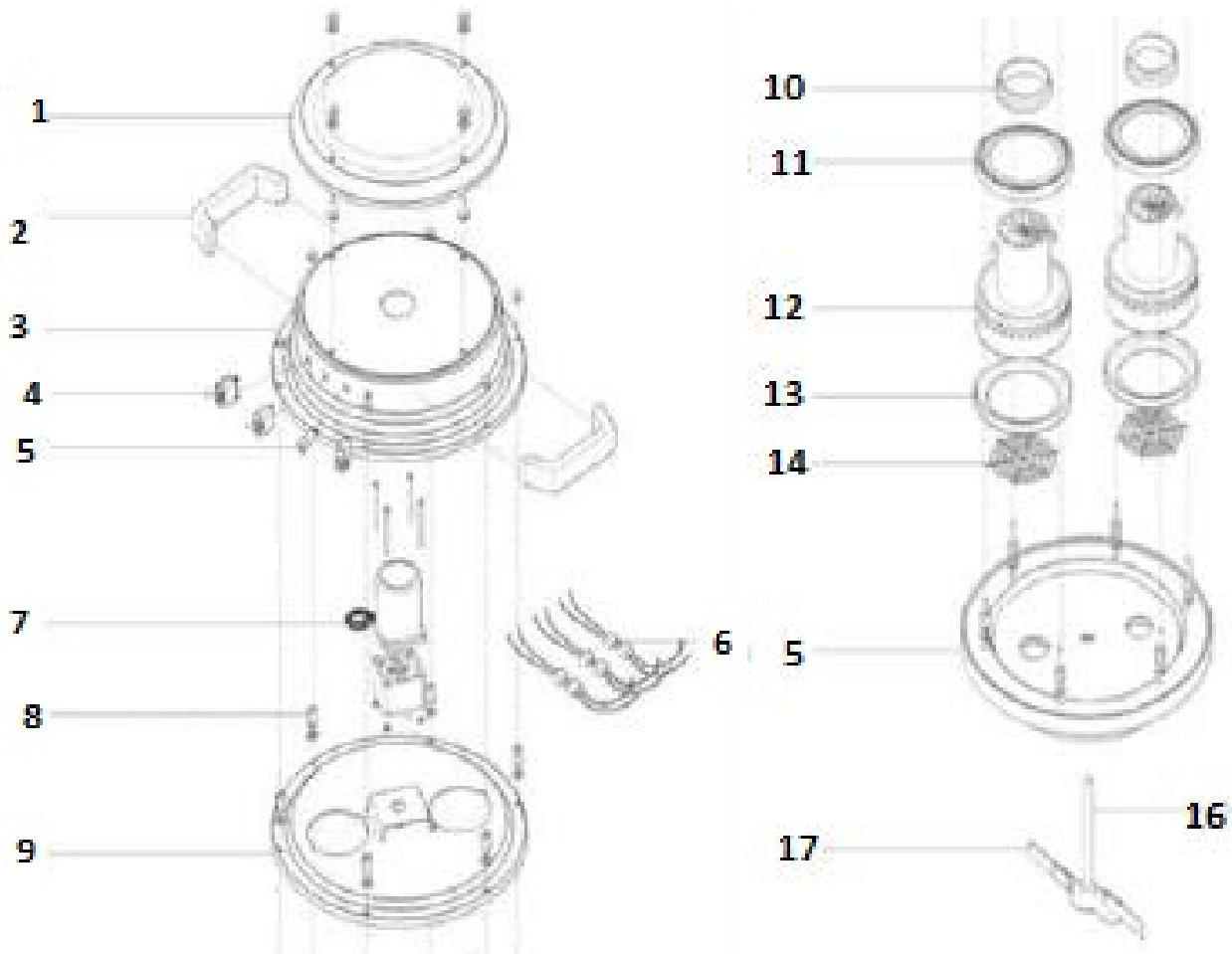


FIG	PART NO.	QTY	DESCRIPTION
1	2508649	1	TOP HEAD COVER
2	2508586	2	HEAD HANDLE
3	2508650	1	MID COVER, UPPER
4	2508585	3	ON/OFF SWITCH
5	2508610	1	LED LAMP
6	2508596	3	MOTOR & ON/OFF SWITCH CABLE CONNECTOR
7	2505398	1	REDUCER MOTOR SET (>DEC 2021)
	2508611	1	REDUCER MOTOR SET (OLD STYLE) (<DEC 2021)
8	2508593	12	LONG NUT
9	2505399	1	MID COVER, LOWER (>DEC 2021)
	2508651	1	MID COVER, LOWER (OLD STYLE) (<DEC 2021)
10	2508595	2	MOTOR COVER TOP
11	2508597	2	MID MOTOR COVER
12	2508581	2	MAIN MOTOR
13	2508598	2	MOTOR COVER LOW
14	2508599	2	MASH COVER
15	2508652	1	END HEAD FRAME
16	2508658	1	SHAFT
17	2508655	1	SHAKE BAR

CV258B PARTS LIST

Filter Parts

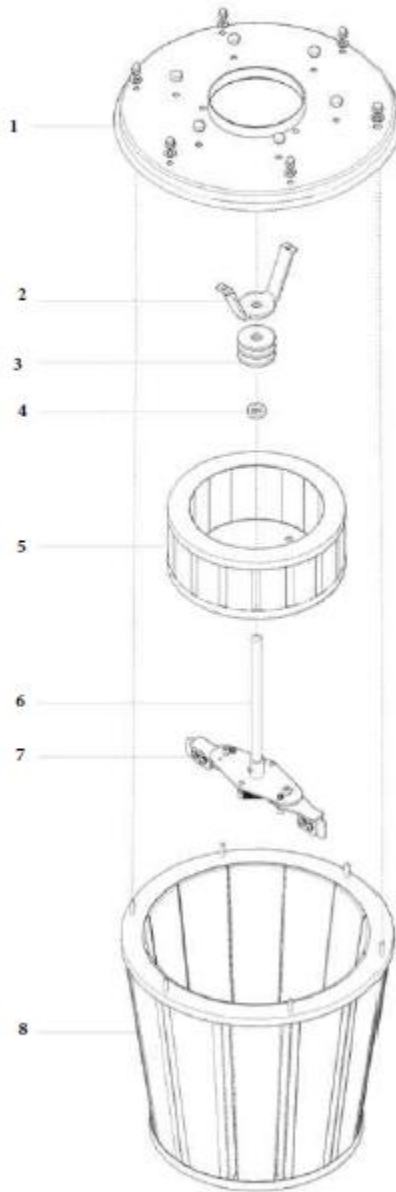


FIG	PART NO.	QTY	DESCRIPTION
1	2508652	1	END HEAD FRAME
2	2508656	1	FILTER BRIDGE
3	2508657	1	THICK WASHER
4	2508619	1	SILICON RETAINER
5	2508571	1	HEPA FITER
6	2508658	1	SHAFT
7	2508655	1	SHAKE BAR
8	2508572	1	MAIN FILTER

CV258B PARTS LIST

Filter Cleaner

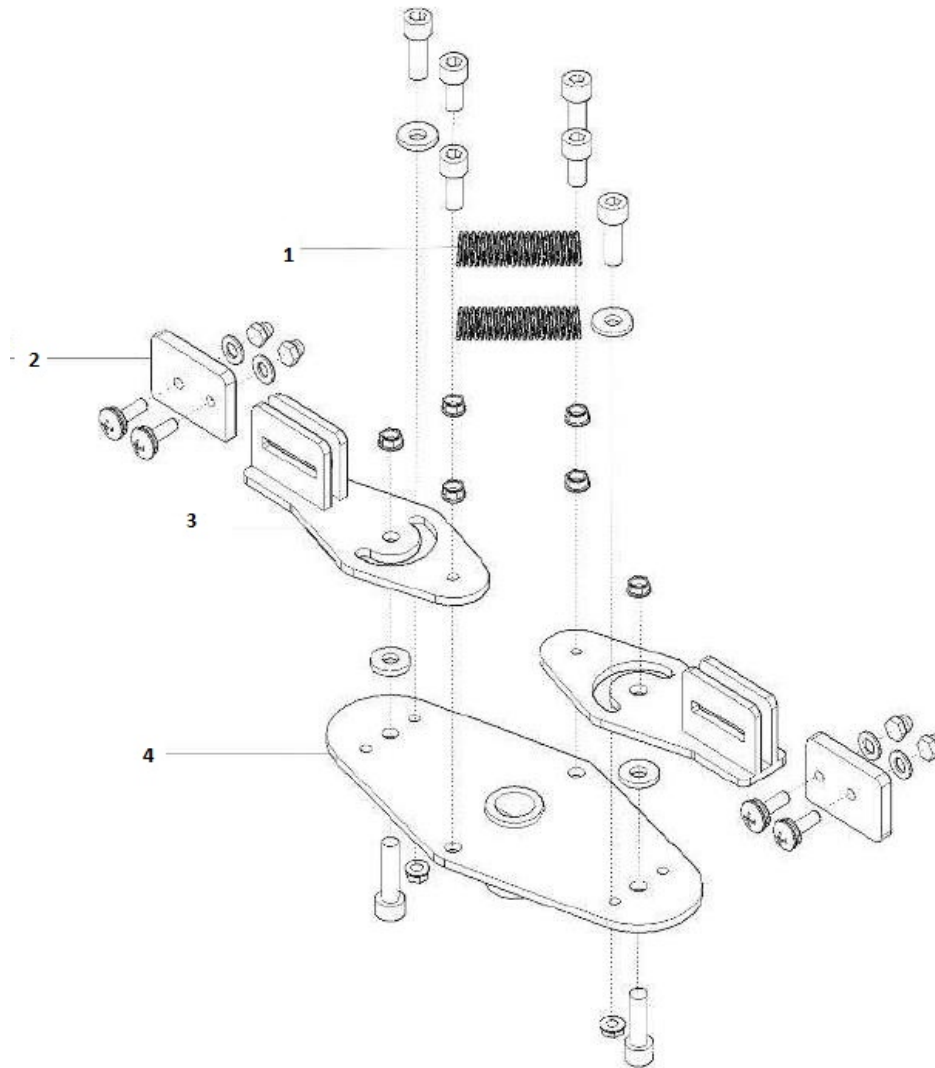


FIG	PART NO.	QTY	DESCRIPTION
1	2508584	2	SPRING
2	2508622	2	BLUE CHIP
3	2508660	2	BLUE CHIP FRAME
4	2508661	1	SHAKE BAR FRAME

CV258B PARTS LIST

Mid Drum

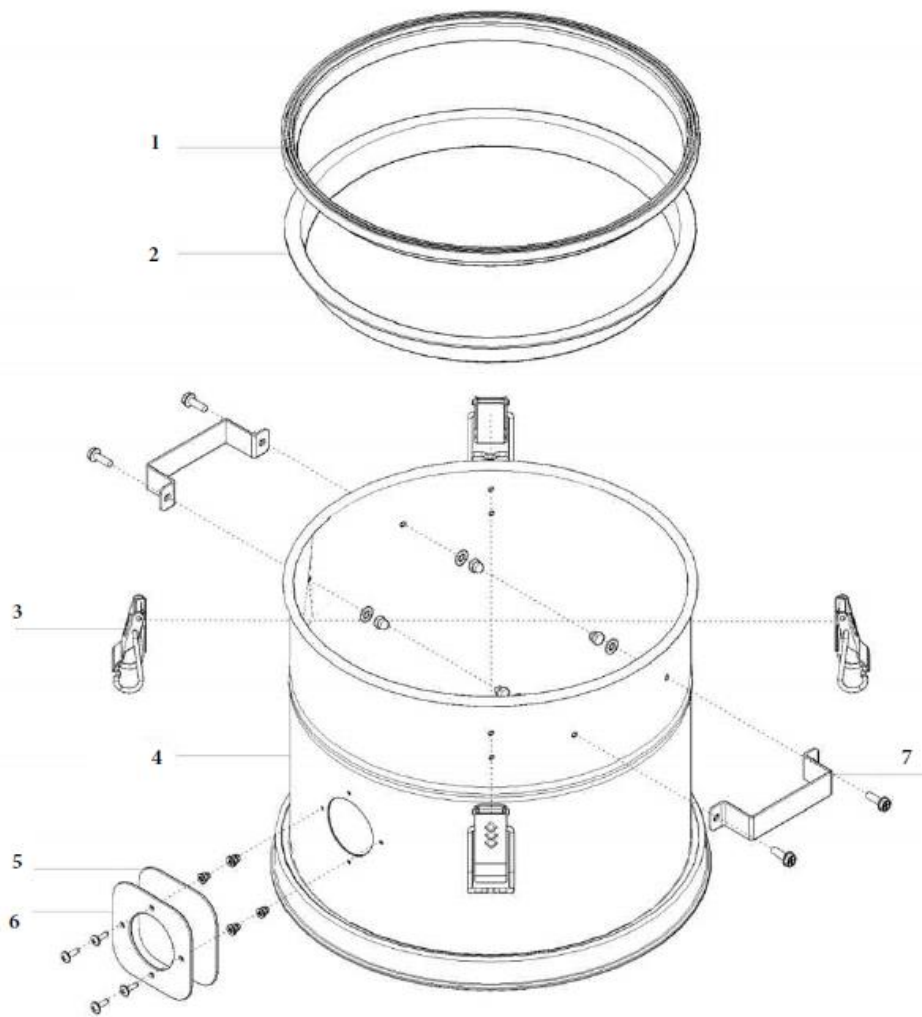


FIG	PART NO.	QTY	DESCRIPTION
1	2508662	1	RUBBER PACKING
2	2508663	1	GASKET
3	2508627	3	HOOK CLAMP
4	2508670	1	MID DRUM
5	2508629	1	CLEAR VIEW
6	2508630	1	CLEAR VEIW CASE
7	2508631	2	DRUM HANDLE

CV258B PARTS LIST

Low Drum

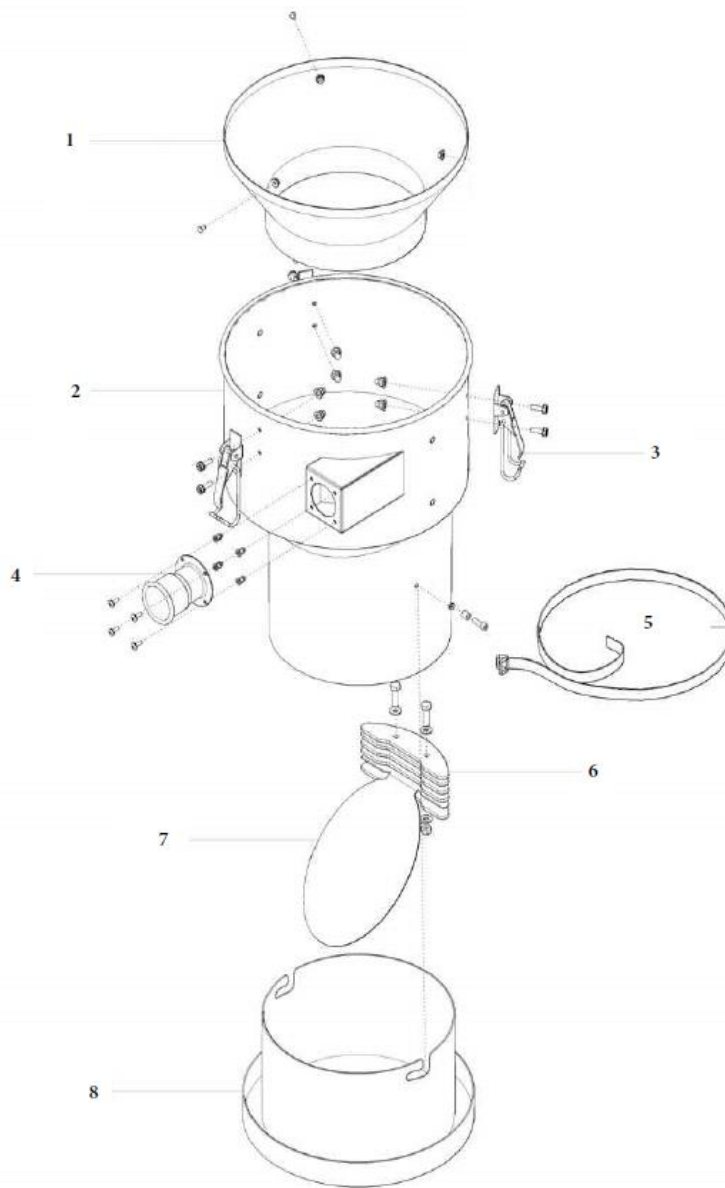


FIG	PART NO.	QTY	DESCRIPTION
1	2508666	1	CYCLON COVER
2	2508671	1	LOW DRUM
3	2508634	3	HOOK CLAMP (2)
4	2508635	1	SUCTION HOLE
5	2508636	1	BAG FIXED BAND
6	2508637	1	WEIGHT
7	2508638	1	VACUUM LOW CAP
8	2508639	1	BAG HOLDER

CV258B PARTS LIST

Frame

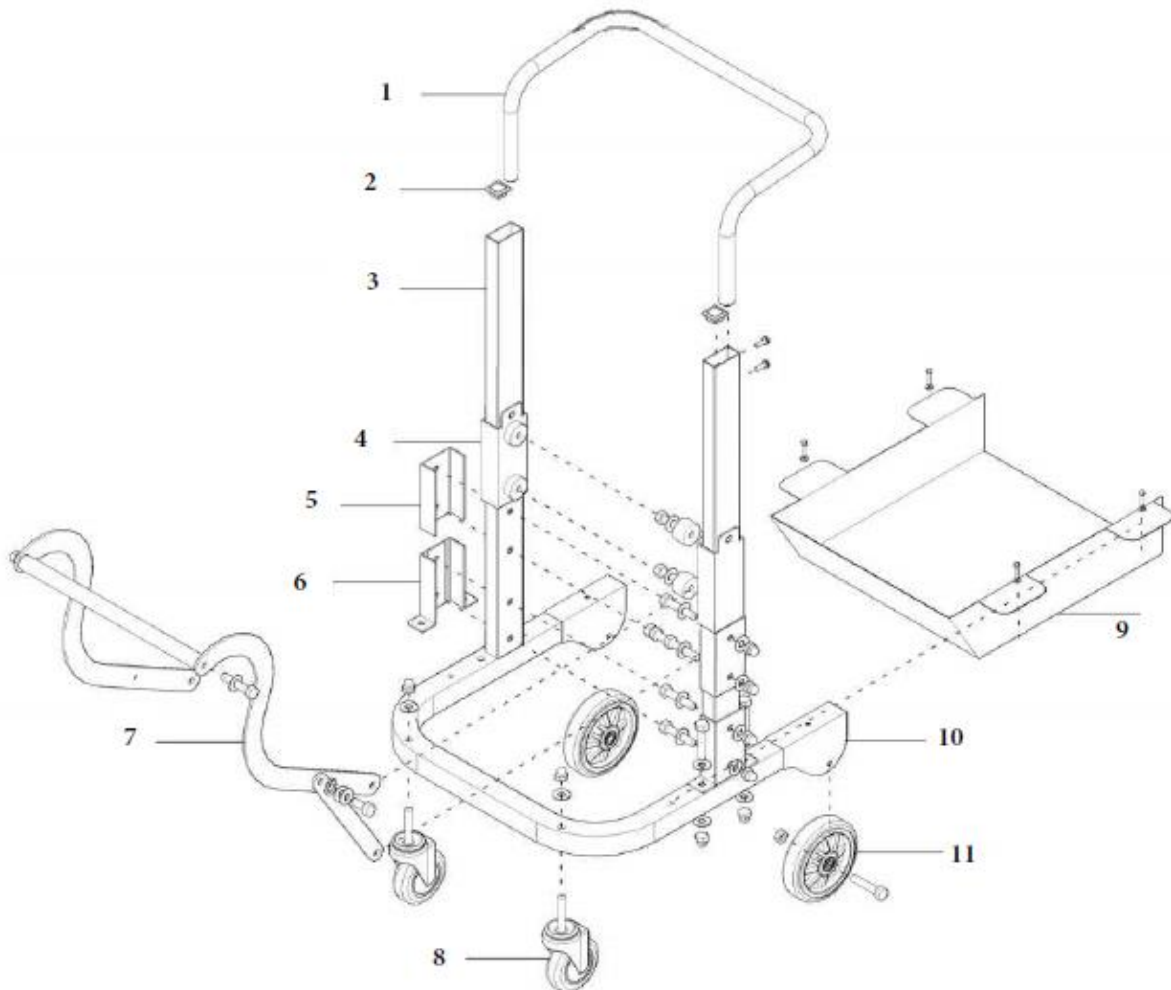
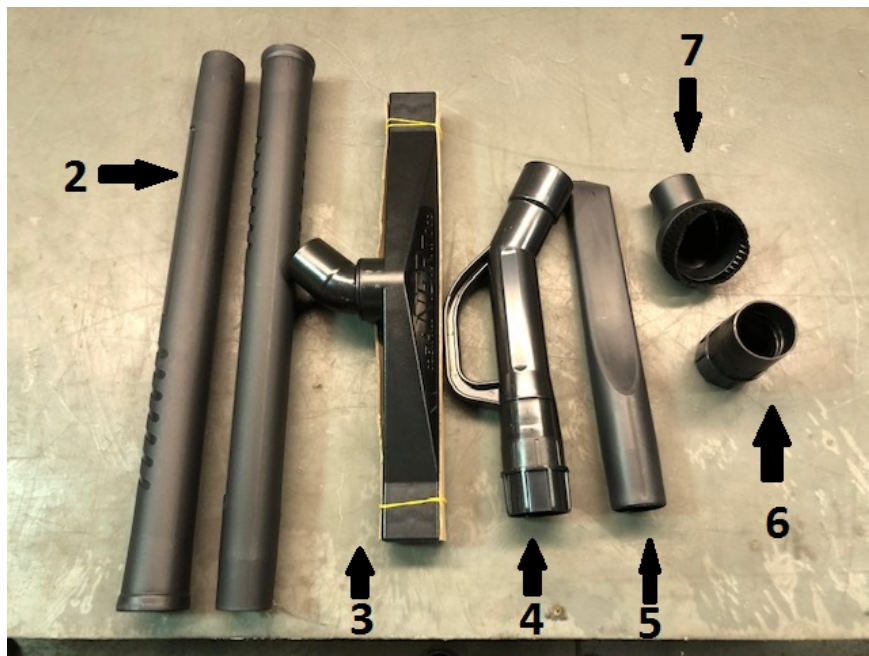


FIG	PART NO.	QTY	DESCRIPTION
1	2508672	1	HANDLE
2	2508640	2	PPC CAP
3	2508641	1	MAINE FRAME
4	2508642	2	DRUM SPACER PART HOLDER
5	2508643	2	HANDLE CONNECTING PART
6	2508644	2	REINFORCE HOUSING
7	2508673	1	ELEVATING HANDLE
8	2508583	2	TURN WHEEL 4"
9	2508674	1	HOFFER BASKET
10	2508675	1	MAIN FRAME
11	2508648	2	WHEEL 6"
	4600172	1	BAG, PLASCTIC CONTINUOUS

Additional Parts



	DP #	DESCRIPTION
1	2508588	Hose(10m)
2	2508794	Pipe
3	2508795	Elongated Brush
4	2508796	Elbow
5	2508810	Nozzle
6	2508797	Hose socket
7	2508811	Circle brush

EQUIPMENT AND PARTS WARRANTY

Diamond Products warrants all equipment manufactured by it against defects in workmanship or materials for a period of one (1) year from the date of shipment to Customer.

The responsibility of Diamond Products under this Warranty is limited to replacement or repair of defective parts at Diamond Products' Elyria, Ohio factory, or at a point designated by it, of such parts as shall appear to us upon inspection at such parts, to have been defective in material or workmanship, with expense for transportation and labor borne by Customer.

In no event shall Diamond Products be liable for consequential or incidental damages arising out of the failure of any Product to operate properly.

Integral units such as engines, electric motors, batteries, transmissions, etc., are excluded from this Warranty and are subject to the prime manufacturer's warranty.

THIS WARRANTY IS IN LIEU OF ALL OTHER WARRANTIES, EXPRESSED OR IMPLIED, AND ALL SUCH OTHER WARRANTIES ARE HEREBY DISCLAIMED.



333 Prospect Street, Elyria, Ohio 44035
(440) 323-4616 • (800) 321-5336 • Fax (800) 634-4035
www.diamondproducts.com