

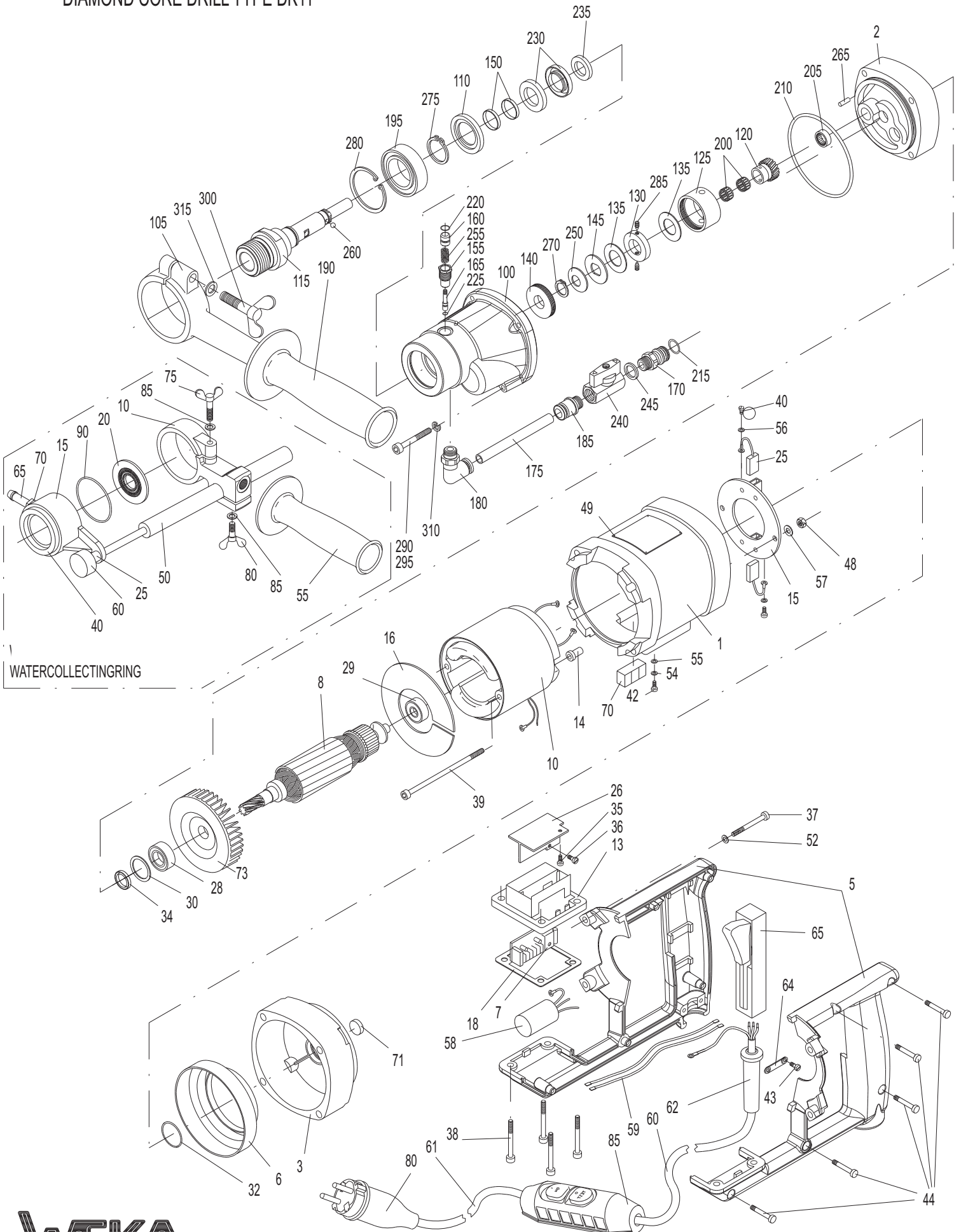


WEKA
PARTS LIST

MODEL
DK11

OCT 2015

DIAMOND CORE DRILL TYPE DK11



WATERCOLLECTINGRING

WEKA DK11
10/12/15

Fig	Req	DESCRIPTION	Weka Part	DP Part
2	1	Intermediate Flange	DK11102-1	
3	1	Top Hood	DK11103	
8	1	Armature w-fan + bearing230 V	DK11108-1	
	1	Armature w- fan + bearing110 V	DK11108/11-1	2706530
5	1	Rear switch handle	DK11105	2707773
10	1	Field 230 V	DK10109	2701335
	1	Field 110 V	DK10109/11	2700656
65	1	Motor switch230V/110V	8015211	2707784
59	2	Motor strand1,52x240	8715240	2707785
44	5	Pan Head Tap Screw3,9x19	0539019	2700676
38	4	Hex socker head ssrewM5x45	0105045	2700825
100	1	Gear Box	DK11201	
105	1	Clamp Ring	DK12202	2700693
110	1	Supporting Ring	DK11204	
115	1	Drill Spindle M33x3,5/3	DK11206.8	2704123
120	1	Spur Wheel	DK11209	
125	1	Clutch Sleeve	DK11216	
130	1	Clutch Ring	DK11221	
135	2	Brake Disk	DK11218	
140	1	Supporting Disk	DK11217	
145	1	Pressure Disk	DK10219	2700704
150	2	Protective Sleeve	DK11220	
155	1	Locking Sleeve	DK11222	2704689
160	1	Locking Knob	DK11223	2704690
165	1	Locking Pin	DK11224	2704688
170	1	Quick Connect Nipple	DK20225	2700706
175	1	Junction Hose5/8x110	7058110	2702595
180	1	Angle Connect NippleG1/4"/8	7014868	
185	1	Quick Connect NippleG1/4"/8	7014668	2702594
190	1	Handle	8900014	2700707
195	1	Ball Bearing6004 2RS	6060044	
200	2	Needle CageK10x13x10 TN	6310103	
205	1	Needle BushHK1010	6310100	2700709
210	1	O-RingRDR78x2	5578002	2700710
215	1	O-RingRDR11x2,5	5511025	2700712
220	1	O-RingRDR7x1,5	5507015	2704692
225	1	O-RingRDR3,5x1,2	5503512	2704693
230	2	Rotary Shaft SealA18x32x7	5018327	
235	1	Rotary Shaft SealA16x30x7	5016307	
240	1	Ball ValveG1/4"i	7014001	2700715
245	1	Sealing RingG1/4"	7014003	2700717
250	1	Disk Spring28x14,2x1,5	4028142	2700718
255	1	Pressure Spring0,8x5x12	4308012	2704691

WEKA DK11
10/12/15

260	1	BallRB-5	2205000	2700811
265	1	Parallel pin4m6x10	2504010	2700722
270	1	Shim RingA14x1	3514001	2700726
275	1	Shim RingA20x1,2	3520012	
280	1	Shim RingJ42x1,75	3442175	
285	2	Set Screw w. Dog PointM4x8	DK11226	
290	1	Hexagon Socket ScrewM5x70	105070	2702506
295	3	Hexagon Socket ScrewM5x50	0105050	2700732
300	1	Wing ScrewM6x40	0506040	2700734
305	1	Wing ScrewM6x20	506020	
310	4	Locking WasherSM5	1805000	2700735
315	2	Medium WasherA6,4	1806125	2700736
	1	Gear Oil90ml	9009001	
	1	Carrying Case	DK10810	2701483

NOTES: ****Slip torque** of clutch = 4-8NM (2.95-5.88 ft-lbs)(*pinion shaft out of drill mounted in bench vise*)

EQUIPMENT AND PARTS WARRANTY

Diamond Products warrants all equipment manufactured by it against defects in workmanship or materials for a period of one (1) year from the date of shipment to Customer.

The responsibility of Diamond Products under this Warranty is limited to replacement or repair of defective parts at Diamond Products' Elyria, Ohio factory, or at a point designated by it, of such parts as shall appear to us upon inspection at such parts, to have been defective in material or workmanship, with expense for transportation and labor borne by Customer.

In no event shall Diamond Products be liable for consequential or incidental damages arising out of the failure of any Product to operate properly.

Integral units such as engines, electric motors, batteries, transmissions, etc., are excluded from this Warranty and are subject to the prime manufacturer's warranty.

THIS WARRANTY IS IN LIEU OF ALL OTHER WARRANTIES, EXPRESSED OR IMPLIED, AND ALL SUCH OTHER WARRANTIES ARE HEREBY DISCLAIMED.



333 Prospect Street, Elyria, Ohio 44035
(440) 323-4616 • (800) 321-5336 • Fax (440) 323-8689
www.diamondproducts.com