

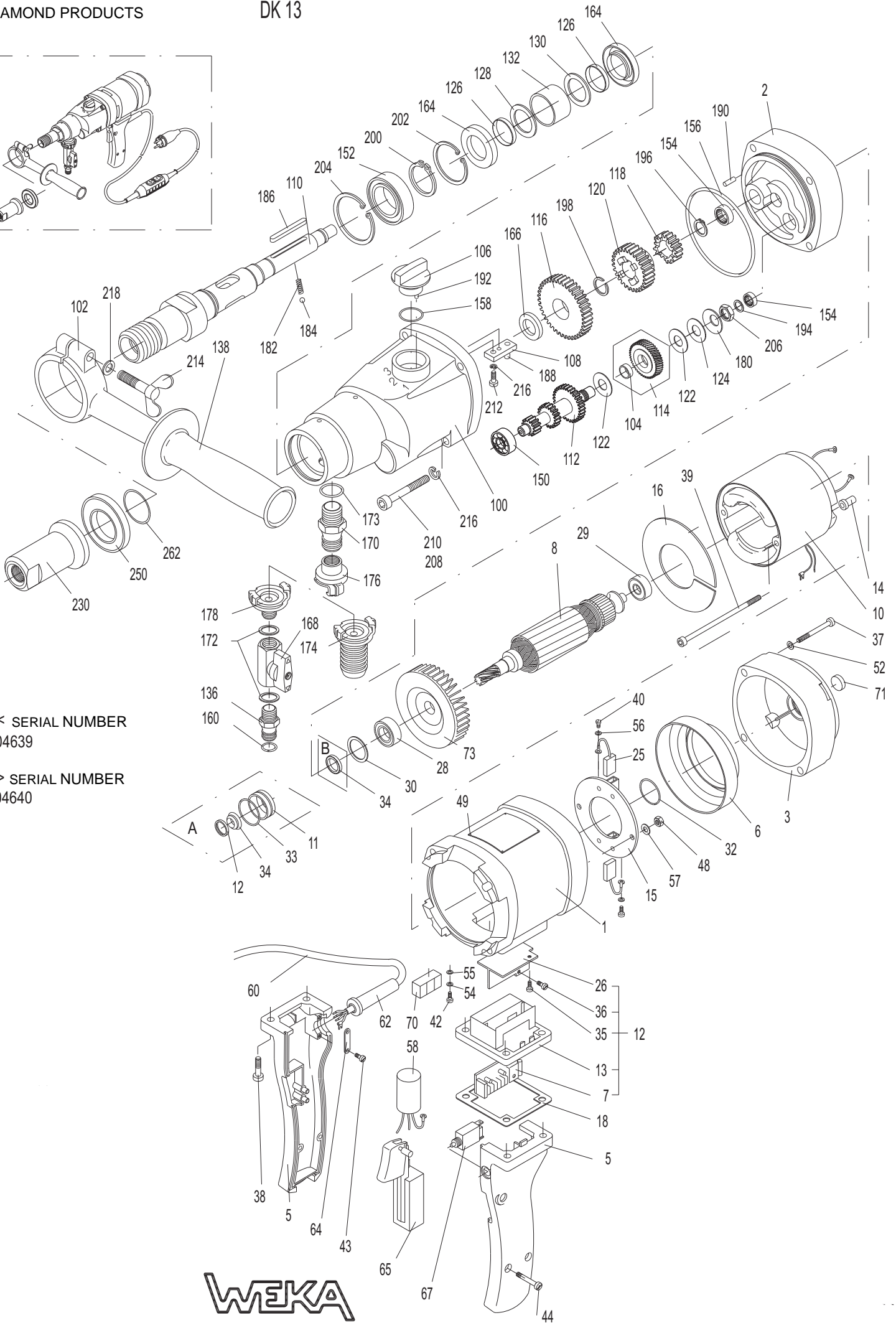
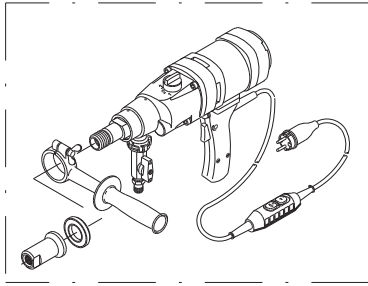


WEKA PARTS LIST

MODEL DK13

Aug 2014

Part #1806016



A: < SERIAL NUMBER
0604639

B: > SERIAL NUMBER
0604640

Fig	Req	DESCRIPTION	DP Part
1	1	Motorcase	2700650
2	1	Intermediate Flange	2703238
3	1	Motor Top Hood	2700652
5	1	Switch Handle 230V	2701453
	1	Switch handle 110V	2701452
6	1	Insulation Ring	2701197
7	1	USE FIG #12	
8	1	Armature w-Fan/Bearings 230V	2703239
	1	Armature w-Fan/Bearings 110V	2703240
10	1	Field 230V	2701335
	1	Field 110V	2700656
	1	Exchange Seal Bush	2703242
12	1	Electronic module comp 230V	2705209
	1	Electronic module comp 110V	2705210
13	1	Electronic Case	2701354
14	2	Fieldscrew Insulating Sleeve	2700659
15	1	Brush Holder Disk 230 V	2707857
	1	Brush Holder Disk 110 V	2700660
16	1	Air Conducting Disk	2700662
18	1	Terminal Case Packing	2701567
25	2	Carbon Brush 230 V	2701336
	2	Carbon Brush 110 V	2700663
26	1	Cooling Profile 230 V	2701385
28	1	Ball Bearing	2700664
29	1	Ball Bearing	2700665
30	1	Compensation Washer	2700666
32	1	O-Ring RDR26x2,5	2700667
34	1	Rotary Shaft Seal RWD12x24x7	2703241
35	1	Screw M4x8	2706217
36	1	Screw M4x6	2701386
37	4	Hex. Soc. Head Screw M5x35	2700670
38	4	Hex. Soc. Head Screw M5x25	2701203
39	2	Fill. Head Screw M4x100	2700672
40	2	Fill. Head Screw M3x5	2700673
42	1	Sl. Pan Head Screw M4x6	2700674
43	2	Pan Head Tapping Screw	2700675
44	2	Pan Head Tapping Screw	2700676
48	2	Hexagon Locking Nut M4	2700677
49	4	Round Head grooved Pin 2,3x4	2701399
52	4	Locking Washer SM5	2700735
54	1	Curved Spring Washer A4	2700680
55	1	Medium Washer 4,3x8x0,5 Ms	2700681
56	2	Medium Washer 3,2x6x0,5 Ms	2700682
57	2	Medium Washer 4,3x12x1 Ms	2703457
58	1	Int. Suppr. Capacitor	2700683
60	1	Cord 3AWG14x4 w-molded plug	2707774
62	1	Cord Sleeve	2700685
64	1	Cord Clamping Piece	2700686
65	1	Motor Switch	2701454
67	1	Motor Protective Switch 110 V	2700688
70	1	Tube Water-Level	2700690
71	1	Tin Water-Level	2700691
73	1	Fan	2700692
	1	Adhesive Sticker	2700737
	1	Carrying Case	2701483
100	1	Gear Box	2701849
102	1	Clamp Ring incl. wing screw	2700693
104	1	Bearing Socket	2700699

Fig	Req	DESCRIPTION	DP Part
106	1	Gear Change Grip	2700694
108	1	Gear Change Lever DK13	2700695
110	1	Spindle cpl. W-126,180,182	2701850
112	1	Pinion Shaft DK13	2700697
114	1	Clutch Wheel	2700698
116	1	Gear Wheel 1 DK13	2700700
118	1	Gear Wheel 3 DK13	2700701
120	1	Slide Gear Wheel DK13	2700702
122	2	Brake Disc	2700703
124	1	Pressure Disk	2700704
126	2	Protective Sleeve	2701851
128	1	Protective Disc L	2701852
130	1	Protective Disc R	2701853
132	1	Protective Bush	2701854
136	1	Quick Connect Nipple	2700706
138	1	Handle	2700707
150	1	Ball Bearing 629	2700948
152	1	Ball Bearing 6005 2RS	2701855
154	2	Needle Bush HK1010	2700709
156	1	O-Ring RDR78x2	2700710
158	1	O-Ring RDR20x3	2700711
160	1	O-Ring RDR11x2,5	2700712
164	2	Rotary Shaft Seal 28x47x7	2701856
166	1	Rotary Shaft Seal 22x35x7	2700714
168	1	Ball Valve G1/4"/i	2700715
	1	Grip for Ball Valve	2700925
170	1	Double Nipple G3/4"	2701857
172	2	Sealing Ring G1/4"	2700717
173	1	O-Ring RDR24x2,5	2701858
174	1	Hose Coupling 32	2701859
	1	Hose Coupling 38	2701860
176	1	Thread Coupling G3/4"	2701861
178	1	Thread Coupling G1/4"	2701862
180	1	Disk Spring	2700718
182	1	Pressure Spring 0,5x3,2x16	2700719
184	1	Ball RB-4	2700720
186	1	Parallel Key A5x5x40	2701087
188	1	Parallel Pin 5m6x15	2701065
190	1	Parallel Pin 4m6x10	2700722
192	1	Parallel Pin 3m6x16	2700723
194	1	Shim Ring PS10x16x1	2700724
196	1	Retaining Ring AV14	2700726
198	1	Retaining Ring SW18	2700727
200	1	Retaining Ring 28x1,5	2701863
202	1	Retaining Ring 47x1,75	2700729
204	1	Retaining Ring 52x2	2701864
206	1	Hexagon Nut BM12x1,5	2700730
208	1	Hex. Soc. Hd Screw M5x80	2700731
210	3	Hex. Soc. Hd Screw M5x50	2700732
212	1	Hex. Soc. Hd Screw M5x12	2702985
214	1	Wing Screw M6x40	2700734
216	5	Locking Washer SM5	2700735
218	1	Medium Washer A 6	2700736
230	1	Adapter Sleeve	2701865
250	1	AF-Element	2705402
262	2	O-Ring 32x1,5	2701866
	1	Gear Oil 160 ml	2700738

**Slip torque of clutch(pinion shaft out of drill mounted in bench vise) 12-14NM(8.8-10.3 ft-lbs)

EQUIPMENT AND PARTS WARRANTY

Diamond Products warrants all equipment manufactured by it against defects in workmanship or materials for a period of one (1) year from the date of shipment to Customer.

The responsibility of Diamond Products under this Warranty is limited to replacement or repair of defective parts at Diamond Products' Elyria, Ohio factory, or at a point designated by it, of such parts as shall appear to us upon inspection at such parts, to have been defective in material or workmanship, with expense for transportation and labor borne by Customer.

In no event shall Diamond Products be liable for consequential or incidental damages arising out of the failure of any Product to operate properly.

Integral units such as engines, electric motors, batteries, transmissions, etc., are excluded from this Warranty and are subject to the prime manufacturer's warranty.

THIS WARRANTY IS IN LIEU OF ALL OTHER WARRANTIES, EXPRESSED OR IMPLIED, AND ALL SUCH OTHER WARRANTIES ARE HEREBY DISCLAIMED.



333 Prospect Street, Elyria, Ohio 44035
(440) 323-4616 • (800) 321-5336 • Fax (440) 323-8689
www.diamondproducts.com