



WEKA
PARTS LIST

MODEL
DK52

March 2014

Part #180293

DIAMANT-KERNBOHRMASCHINE TYP DK 42 (A,B),(L,S), DK 52

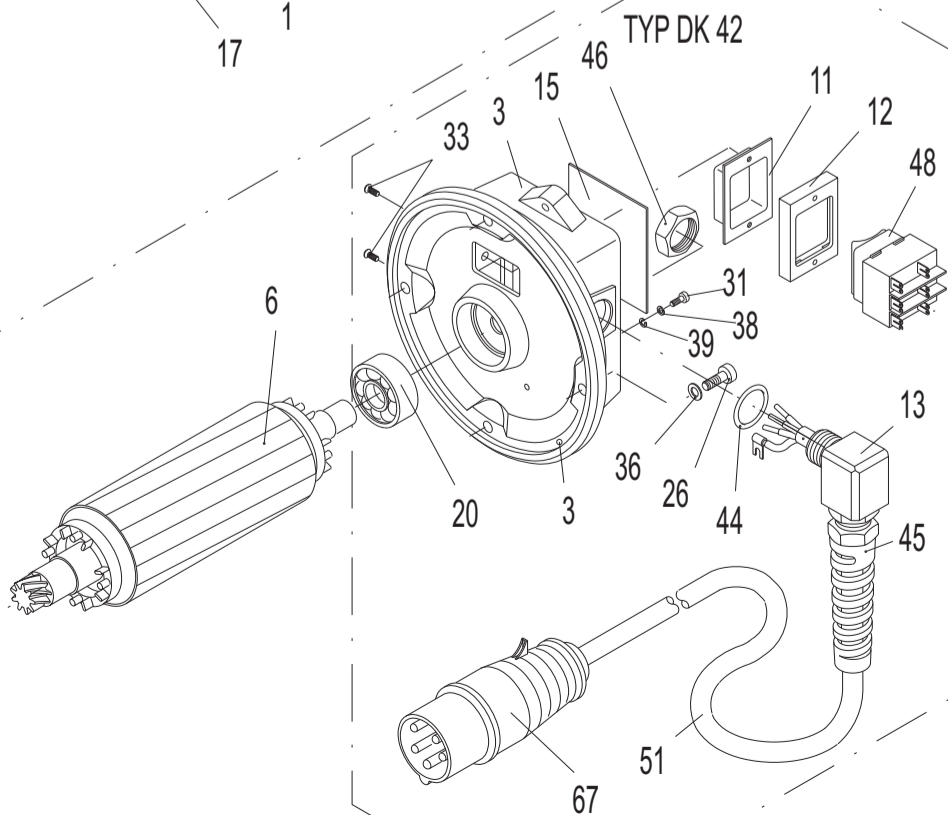
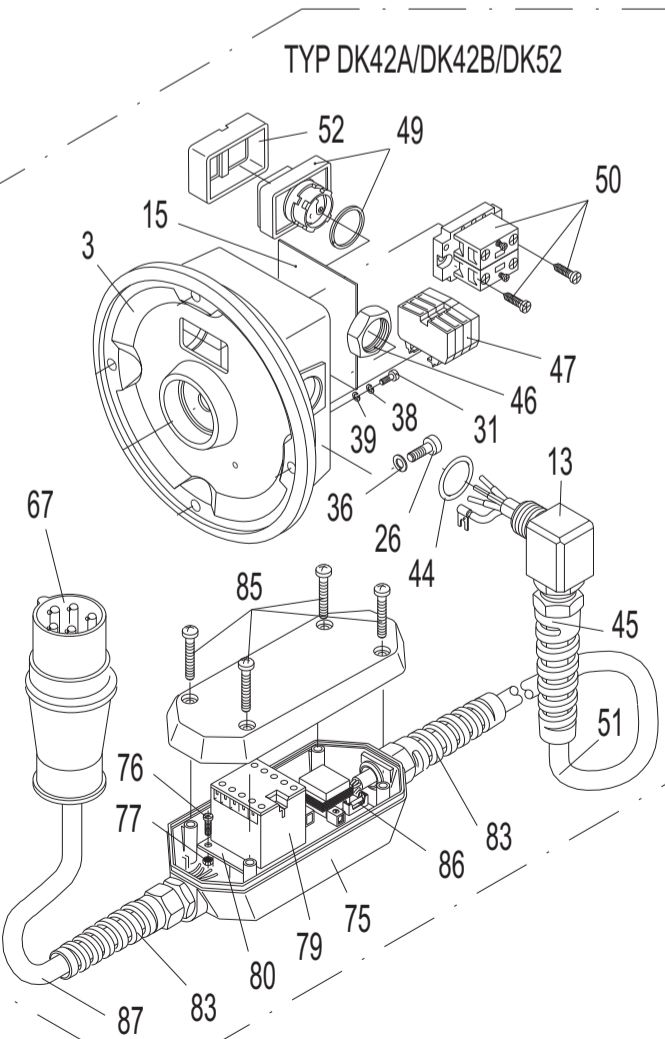
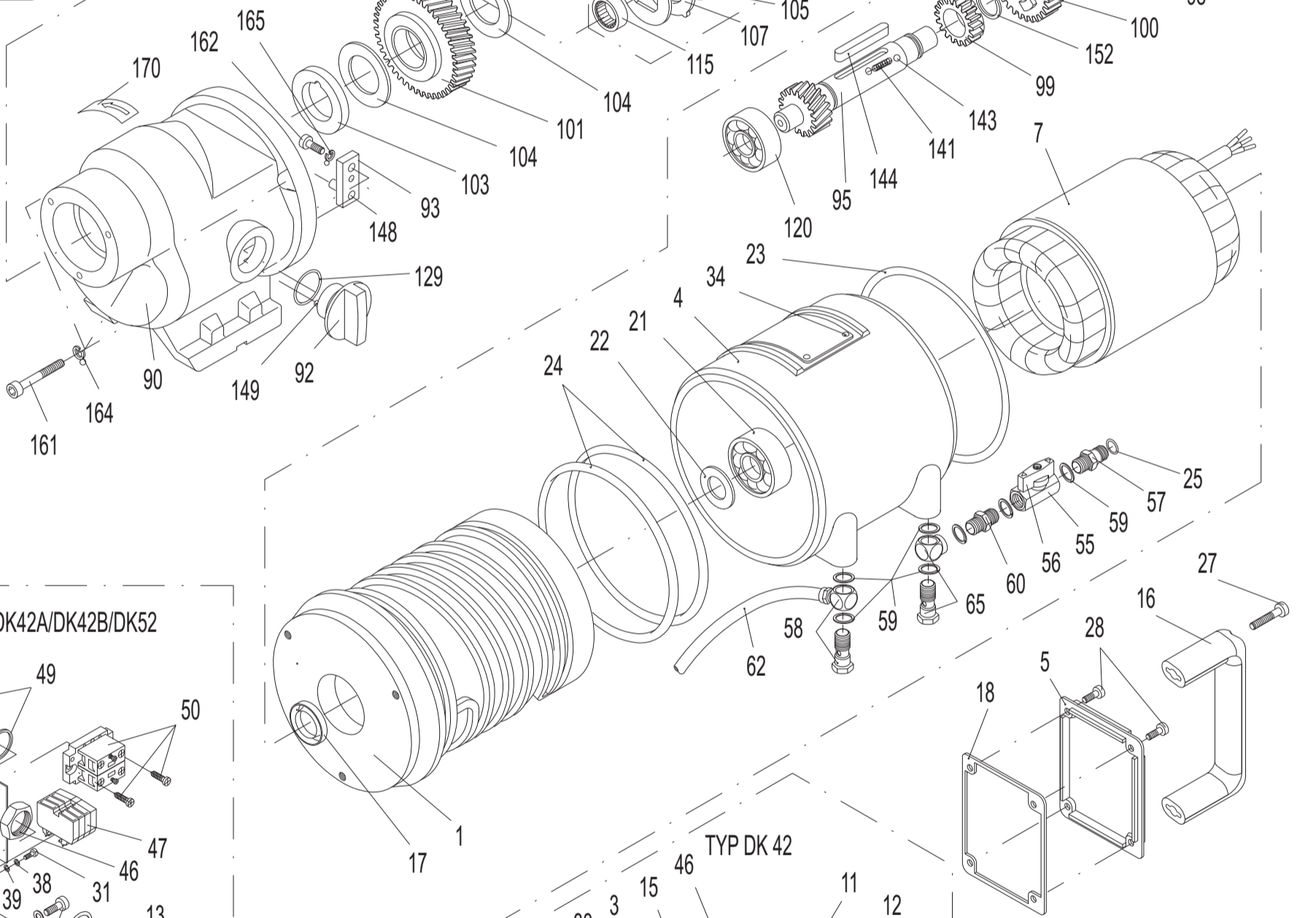
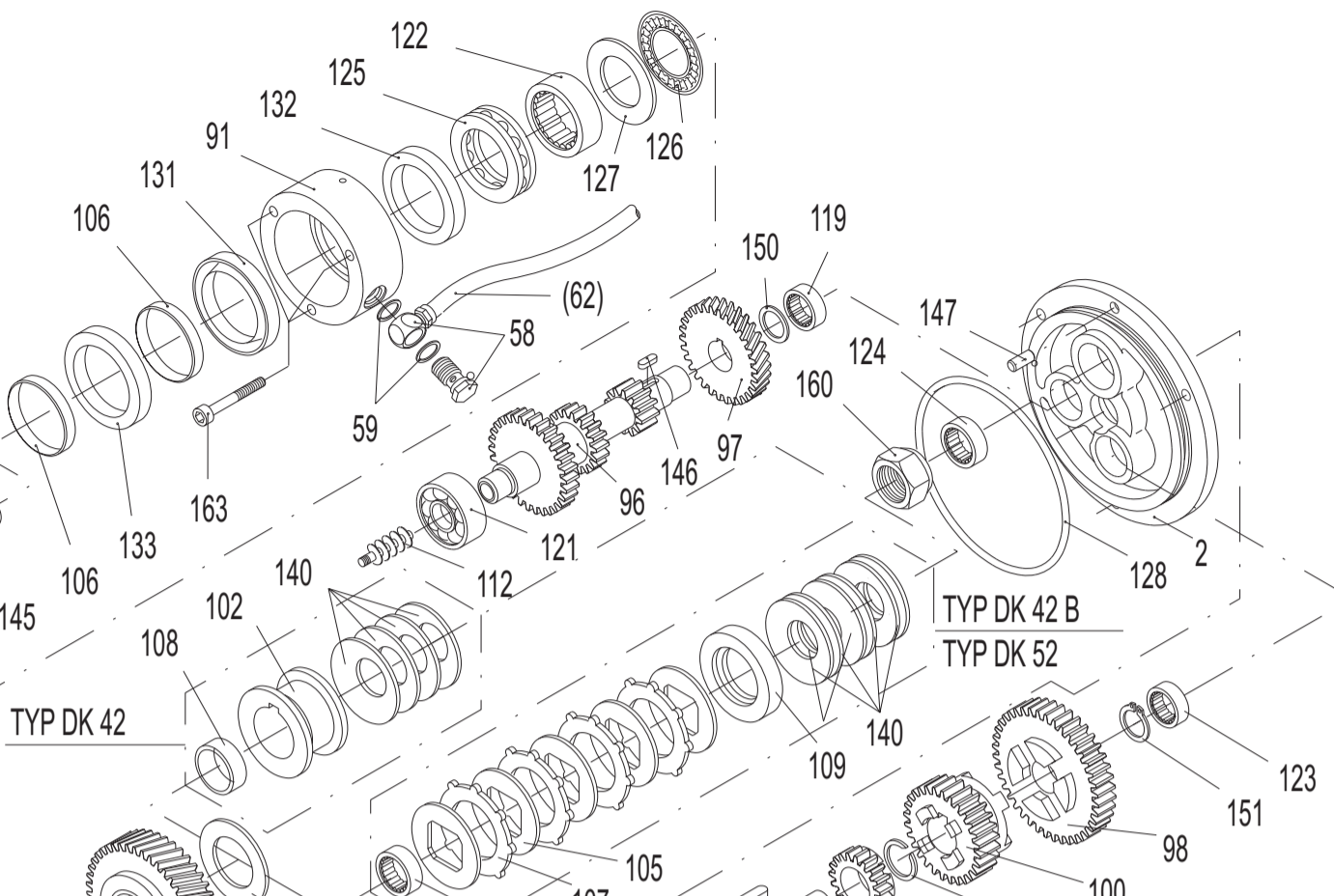
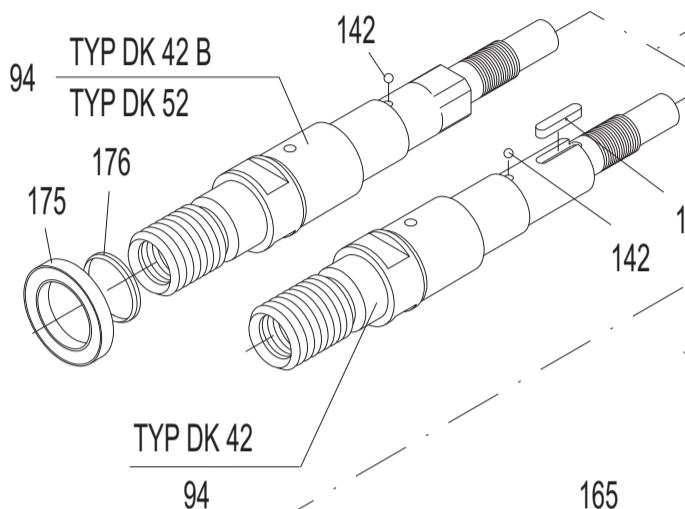
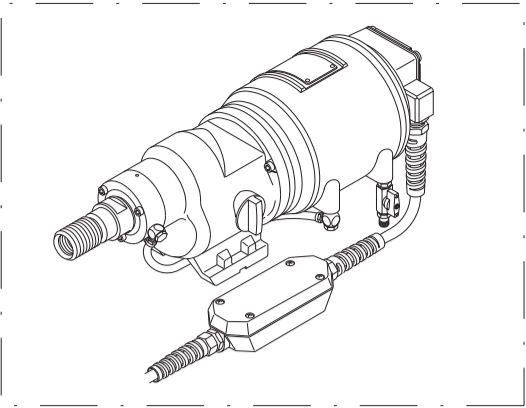


Fig	Req		DP PART
1	1	Motor case	2702046
2	1	Intermediate Flange	2702041
3	1	Motor Top Hood	2701377
4	1	Case Sleeve	2702047
5	1	Terminal Case Cover	2700834
6	1	Rotor with Bearings	2702048
7		Stator 230V/60Hz	2702050
		Stator 460V/60Hz	2702049
13	1	Cord Angle with O-Ring	2701071
15	1	Terminal Case Insulation	2701040
16	1	Carrying Handle	2704245
17	1	Rotary Shaft Seal 20x32x7	2701041
18	1	Terminal Case Sealing	2701080
20	1	Ball Bearing 6202 ZZ	2701043
21	1	Ball Bearing 6004 ZZ	2701044
22	1	Compensation Washer	2701045
23	1	O-Ring RDR 135x2	2701046
24	2	O-Ring RDR 127x4	2701047
25	1	O-Ring RDR 11x2,5	2701048
26	4	Hex. Soc. Head Screw M6x20	2701049
27	2	Hex. Soc. Head Screw M6x35	2700852
28	4	Fill. Head Screw M4x12	2701388
31	1	Slot. Pan Head Screw M4x6	2700674
34	4	Round Head Grooved Pin 2,3x4	2701399
36	4	Sealing Washer 6	2702372
38	1	Curved Spring Washer A4	2700680
39	1	Medium Washer 4.3	2700681
44	1	O-Ring 18x2	2701568
45	1	Cord Gland M20x1,5	2701451
46	1	Hexagon Nut M20x1,5	2701074
47	1	Terminal	2706091
49	1	Double Press Key	2706088
50	1	Switch Element	2706089
51	1	Cord 480V AWG 18/7	2702051
	1	Cord 230V AWG 16/7	2701381
52	1	Key Diaphragm	2706090
55	1	Ball Valve	2700715
56	1	Grip for Ball Valve	2700925
57	1	Quick Connect Nipple	2700706
58	2	Angle Screwing	2701077
59	7	Sealing Ring G 1/4"	2700717
60	1	Double Nipple G 1/4"	2700716
62	1	Flexible Hose	2701060
65	1	Angle Screwing G 1/4"	2701094
67	1	Plug USA (not pictured) 460V	2800412
	1	Plug USA (not pictured) 230V	2800162
75	1	Cablecase cpl. w- Fig.83, 85 w/o Fig. 79, 80	2701401
76	2	Fill. Head Screw M4x12	2701388
77	2	Hexagon Nut M4	2700677
79	1	Contactora 460V	2701403
	1	Contactora 230V	2702055
80	1	Print Plate without Contactora 460V	2701579
	1	Print Plate w/o Cont. DK42A 230V	2701580
	1	Print Plate w/o Cont. DK52 230V	2702056
83	2	Cord Gland 230V	2701451
85	4	Tapping Screw 4,8x32	2701405
86	1	Fuse 32 mA mT	2701581
87	1	Cord 4G1,5x0,5	2707169
90	1	Gear Box	2701924

Fig	Req		DP PART
91	1	Water Supply Bush	2700871
92	1	Gear Change Grip	2700872
93	1	Gear Change Lever	2701925
94	1	Spindle cpl. w- fig. 106+142	2701926
95	1	Gear Change Shaft	2702052
	1	Gear Change Shaft S	2700875
96	1	Pinion Shaft	2701928
97	1	Spur Wheel	2702053
98	1	Gear Wheel 1	2701930
99	1	Gear Wheel 3	2701931
100	1	Slide Gear Wheel	2701932
101	1	Spindle Wheel	2702145
	1	Spindle Wheel S	2702146
	1	Spindle Wheel HS	2707788
103	1	Supporting DisK	2701083
104	2	Brake Disk A	2701934
105	5	Pressure Disk	2701935
106	2	Protective Sleeve	2701064
107	4	Brake Disk B	2701941
109	1	Pressure Ring	2702054
112	1	Feed Worm	2706123
115	1	Needle Cage	2701938
119	1	Needle Bearing	2701370
120	1	Ball Bearing 6302	2700791
121	1	Ball Bearing 6201	2700792
122	1	Needle Bearing	2700793
123	1	Needle Bush	2700794
124	1	Needle Bush	2700795
125	1	Thrust Ball Bearing	2700796
126	1	Thrust Needle Cage	2700797
127	1	Thrust Bearing Washer	2700798
128	1	O-Ring RDR102x3	2700799
129	1	O-Ring RDR20x3	2700711
131	1	Rotary Shaft Seal 40x52x7	2700802
132	1	Rotary Shaft Seal 38x50x7	2700803
133	1	Rotary Shaft Seal 40x52x7S	2700804
140	4	Disc Spring	2700809
141	1	Pressure Spring	2700810
142	1	Ball 5	2700811
143	2	Ball 4	2700720
144	1	Parallel Key A6x6x45	2700813
146	1	Parallel Key A4x4x10	2700815
147	1	Parallel Pin 6m6x10	2700816
148	1	Parallel Pin 5m6x15	2701065
149	1	Parallel Pin 3m6x16	2700723
150	1	Shim Ring PS14x20x1	2700819
151	1	Retaining Ring 16x1	2700820
152	1	Retaining Ring SW20	2700821
160	1	Hexagon Nut M22x1,5	2700822
161	3	Hex. Soc. Head Screw M6x35	2700852
162	1	Hex. Soc. Head Screw M5x12	2702985
163	3	Hex. Soc. Head Screw M5x45	2700825
164	3	Locking Washer SM6	2700826
165	1	Locking Washer SM5	2700735
170	1	Adhesive Rotation Arrow	2707792
	1	Gear Oil 450 ml	2701067
175	1	Antifriction-Element	2705402
176	2	O-Ring 32x1,5	2701866

EQUIPMENT AND PARTS WARRANTY

Diamond Products warrants all equipment manufactured by it against defects in workmanship or materials for a period of one (1) year from the date of shipment to Customer.

The responsibility of Diamond Products under this Warranty is limited to replacement or repair of defective parts at Diamond Products' Elyria, Ohio factory, or at a point designated by it, of such parts as shall appear to us upon inspection at such parts, to have been defective in material or workmanship, with expense for transportation and labor borne by Customer.

In no event shall Diamond Products be liable for consequential or incidental damages arising out of the failure of any Product to operate properly.

Integral units such as engines, electric motors, batteries, transmissions, etc., are excluded from this Warranty and are subject to the prime manufacturer's warranty.

THIS WARRANTY IS IN LIEU OF ALL OTHER WARRANTIES, EXPRESSED OR IMPLIED, AND ALL SUCH OTHER WARRANTIES ARE HEREBY DISCLAIMED.



333 Prospect Street, Elyria, Ohio 44035
(440) 323-4616 • (800) 321-5336 • Fax (440) 323-8689
www.diamondproducts.com