

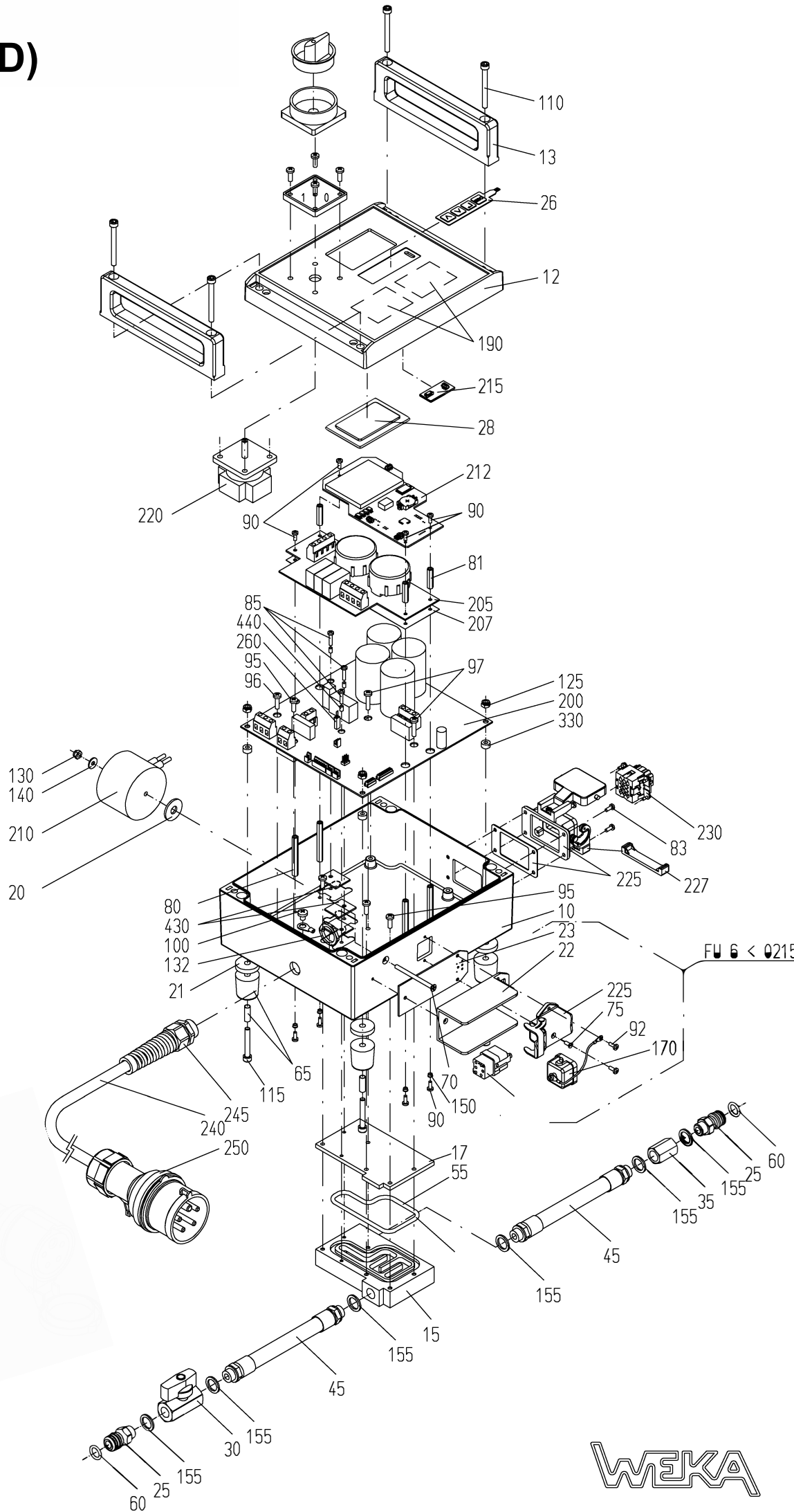


**HIGH CYCLE
PARTS LIST**

**FU6(U,C,D)
INVERTER**

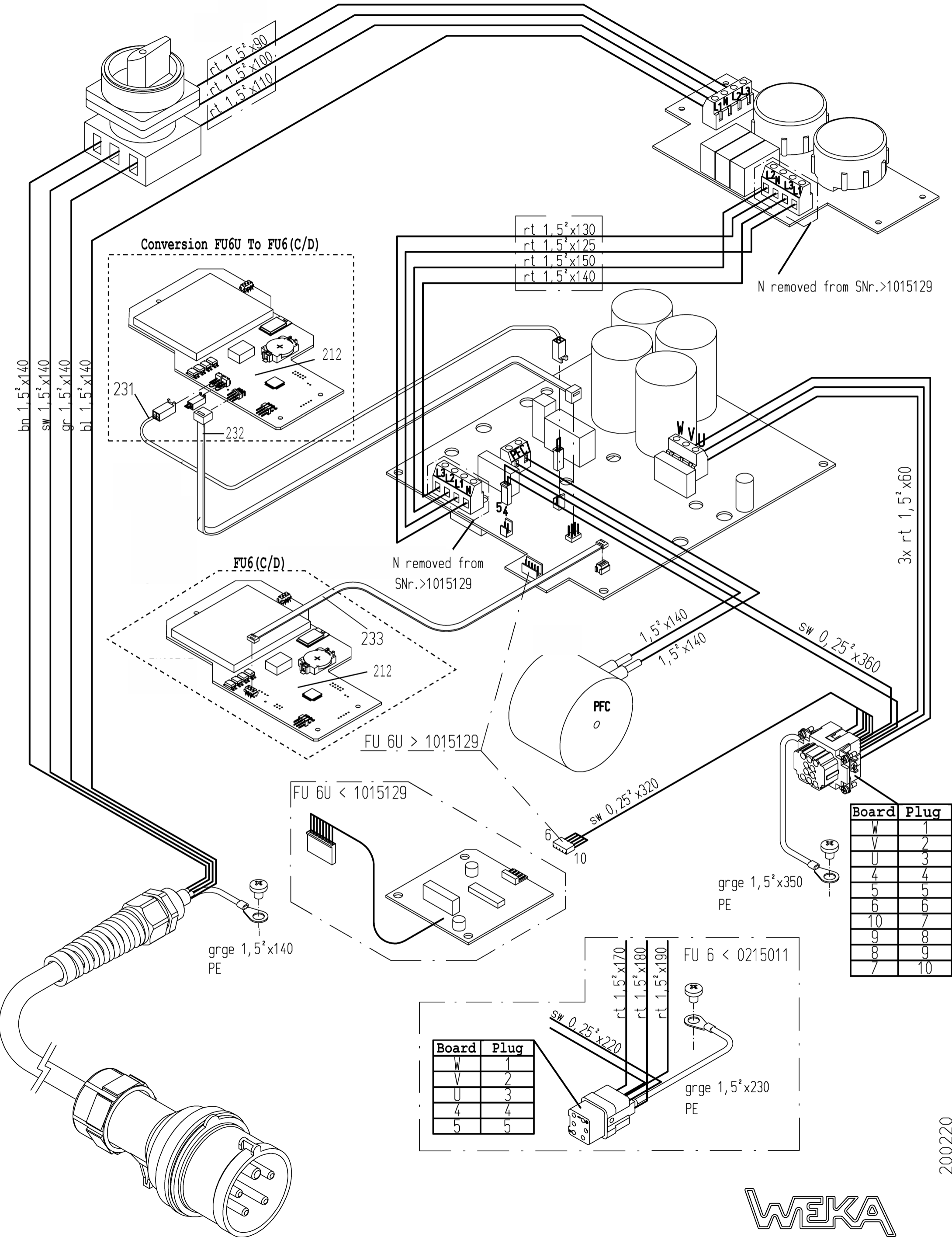
MARCH, 2022

FU6(U,C,D)



FU 6 < 0215011

FU6(U,C,D)



Conversion FU6U To FU6(C/D)

FU6(C/D)

FU 6U < 1015129

FU 6 < 0215011

Board	Plug
W	1
V	2
U	3
4	4
5	5
6	6
10	7
9	8
8	9
7	10

Board	Plug
W	1
V	2
U	3
4	4
5	5

ITEM	Part #	QTY	DESCRIPTION	EXT
10	2709000	1	FC-Box	
12	2708671	1	FC-Box Cover	Type U
	2709800	1	FC-Box Cover	Type C
	2709801	1	FC-Box Cover	Type D
13	2704245	2	Carrying Handle	
	2709802	1	Carrying Handle	
15	2709803	1	Cooling Plate	
	2708673	1	Cooling Plate	
17	2708674	1	Cooling Plate Lid	
20	2708675	1	Distance Washer	
21	2709804	4	Distance Washer	
22	2708677	1	Protection Profile	
23	2708678	1	Gasket	
25	2700706	2	Quick Connect Nipple	
26	2709805	1	Keypad	Type D
27	2708679	1	Front plate	Type U
	2709806	1	Front plate	Type C/D
28	2709807	1	Display Pane	Type D
30	2700715	1	Ball Valve	
35	2708909	1	Socket	
40	2701862	4	Quick Connect Nipple	G1/4"/8
45	2701939	2	Hose Piece cpl. with nipples	
	2702595	2	Junction Hose	5/8x110
55	2708680	1	O-Ring	RDR70x4
60	2700712	2	O-Ring	RDR11x2,5
65	2708681	4	Rubber foot with spacer sleeve	24,5x25x5,5
70	278682	1	Count. Flat Head Screw	M4x55
75	2708684	1	Count. Raised Head Screw	M3x8
80	2708685	4	Hexagon Spacer bolt	M3x50i/i
81	2709808	3	Hexagon Spacer bolt	M3x45i/a
83	2708686	4	Cross Recess Cheese Head Screw	M4x10
85	2702567	2	Cross Recess Cheese Head Screw	M3x14
	2709809	2	Cross Recess Cheese Head Screw	M3x16
	2708687	2	Cross Recess Cheese Head Screw	M3x20
90	2702371	10	Cross Recess Cheese Head Screw	M3x8
92	2708688	2	Cross Recess Cheese Head Screw	M3x12
95	2709810	3	Cross Recess Cheese Head Screw	M4x12
	2702570	3	Cross Recess Cheese Head Screw	M4x16
	2708689	3	Slotted Cheese Head Screw	M4x12
96	2708690	1	Slotted Cheese Head Screw	M4x14
97	2708692	2	Slotted Cheese Head Screw	M4x20
97	2708691	2	Slotted Cheese Head Screw	M4x25
100	2708693	2	Cross Recess Cheese Head Screw	M5x8
110	2709811	4	Hex. Socket Head Screw	M5x75
	2700852	4	Hex. Socket Head Screw	M6x35
115	2709812	4	Hex. Socket Head Screw	M5x40
	2708694	4	Hex. Socket Head Screw	M5x45

ITEM	Part #	QTY	DESCRIPTION	EXT
120	2708695		Hexagon Nut	M6
125	2708696		Hexagon Lock Nut	M5
130	2708697		Hexagon Lock Nut	M4
132	2701074		Hexagon Nut	M20x1,5
135	2700680		Curved Spring Washer	A4
140	2708698		KF-Washer	4,3x20x1,25
144	2702578		Sealing Washer	M6
150	2708699		Sealing Washer	M3
155	2700717		Sealing Ring	G1/4"
170	2708700		Protective Hood	
190	2708324		Dessicant Sack	glued
200	2708651		Inverter Board	Connector 5P
	2708550		Inverter Board	Connector 10P
205	2708652		Power Supply Board	
207	2708653		Insulation Film	
210	2708654		PFC-Reactor	
212	2709813		Bluetoothboard (TYPE C)	Type C
	2709815		Bluetoothboard with Display (TYPE D)	Type D
	2709814		Bluetoothboard (CONV FU6U TO FU6C)	To conv. FU6U to FU6C
	2709816		Bluetoothboard with Display (CONV) FU6U TO FU6D	To conv. FU6U to FU6D
215	2709817		Adapter board	Type D
220	2708655		Main Switch	
225	2709818		Bulkhead Case sealed incl. Female Insert	incl. Female Insert
	2708701		Bulkhead Case with Protection Lid	10P+PE
	2702403		Bulkhead Case with Seal	3P+PE
227	2709840		Handle	
231	2709819	1	Connection cable	2pol.
232	2709820	1	Conv Cable <04/2018 FU6U to FU6D/C	6pol., 150mm
233	2709821	2	Connection cable	MicroMatch 6 150mm
240	2708720	1	Cord	5G1,5x4m
245	2701451	1	Cord Gland	M20x1,5 7-13
250	3400154	4	Mains Plug	
330	2708723	4	Distance Sleeve	
430	2708725	2	Ceramic Insulating Plate	
	4244136		Water Hose	
	3400155		Adapter Plug Female	
	2804545		Adapter Plug Male	

EQUIPMENT AND PARTS WARRANTY

Diamond Products warrants all equipment manufactured by it against defects in workmanship or materials for a period of 1 year from the date of shipment to Customer. The responsibility of Diamond Products under this Warranty is limited to replacement or repair of defective parts at Diamond Products' Elyria, Ohio factory, or at a point designated by it, of such parts as shall appear to us upon inspection at such parts, to have been defective in material or workmanship, with expense for transportation and labor borne by Customer. In no event shall Diamond Products be liable for consequential or incidental damages arising out of the failure of any Product to operate properly.

THIS WARRANTY IS IN LIEU OF ALL OTHER WARRANTIES, EXPRESSED OR IMPLIED, AND ALL SUCH OTHER WARRANTIES ARE HEREBY DISCLAIMED.



333 Prospect Street, Elyria, Ohio 44035
(440) 323-4616 • (800) 321-5336 • Fax (800) 634-4035
www.diamondproducts.com