



**CORE BORE
PARTS LIST MANUAL**

**M-5
CORE RIG**

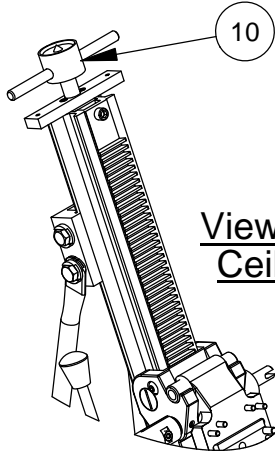
NOVEMBER 2025

Part #: 1890002-05

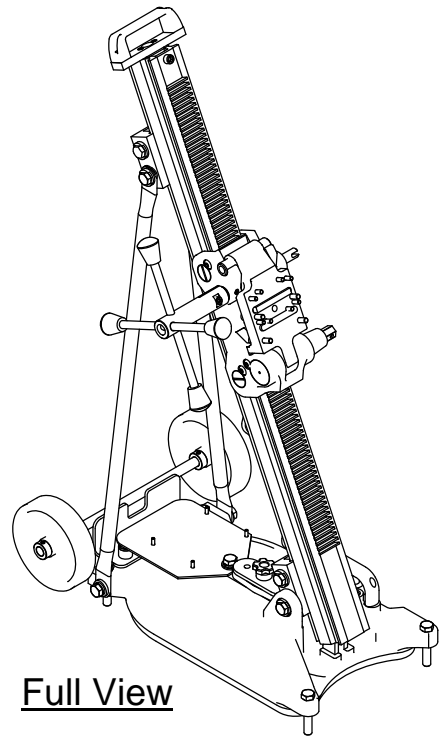
Table of Contents

Combination Angle Stand Assembly	4 - 5
Anchor Drill Stand Assembly.....	6 - 7
Combination Angle Base Assembly.....	8 - 9
Vacuum Pump Assembly (115V).....	10
Vacuum Pump Assembly (230V).....	11
Single Switch/Dual Outlet (115V)	12
Dual Switch/Dual Outlet for Weka Motor (230V).....	14 - 15
Dual Switch/Dual Outlet for Weka Motor (115V).....	16 - 17
Carriage Assembly	18
Quick Disconnect Motor Mount Assembly	19
Wheel Assembly for Combination Base.....	20
Wheel Assembly for Anchor Stand	21
Spoke Handle Assembly.....	22
Switch Mounting Clamp Assembly	23
Slot Cap Assembly.....	23
Anchor/Swivel Masts for Combination Angle Stand	24
Anchor Mast for Anchor Stand	25
Warranty.....	28
Accessories	
Quick Disconnect Outrigger Extensions 7"	26
Quick Disconnect Outrigger Extension 10"	26

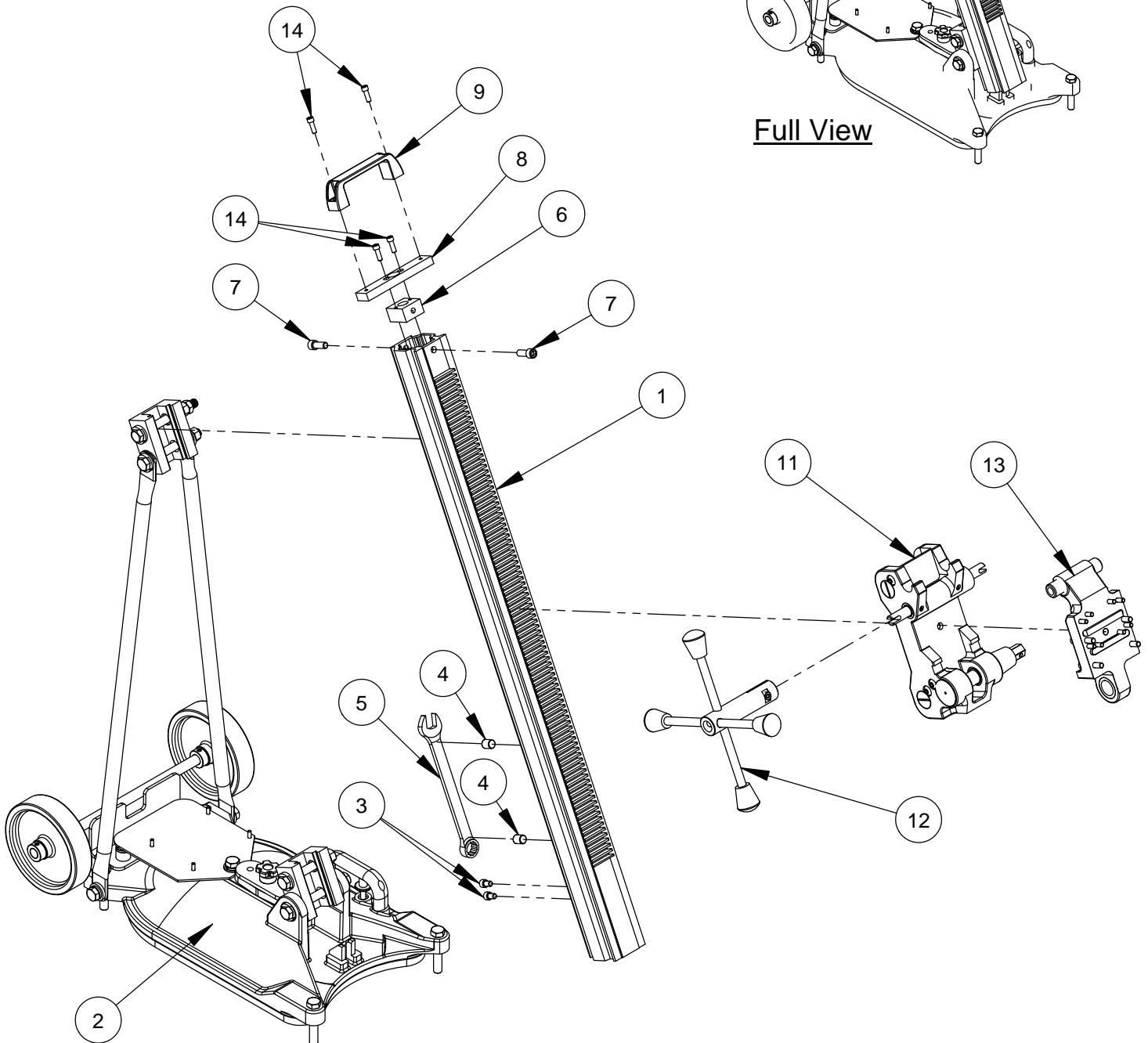
M5 Combination Angle Stand Assembly
with 40" Mast #4220030
with 50" Mast #4220032
with 60" Mast #4220031



View Showing
Ceiling Jack



Full View

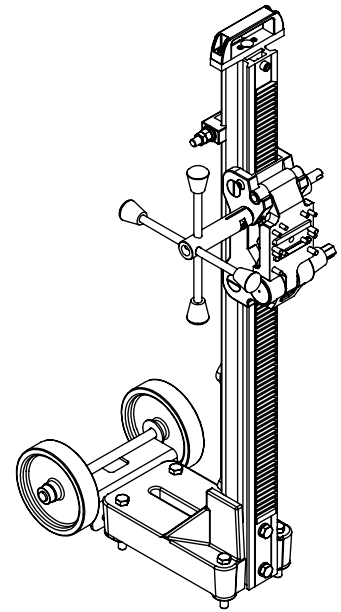
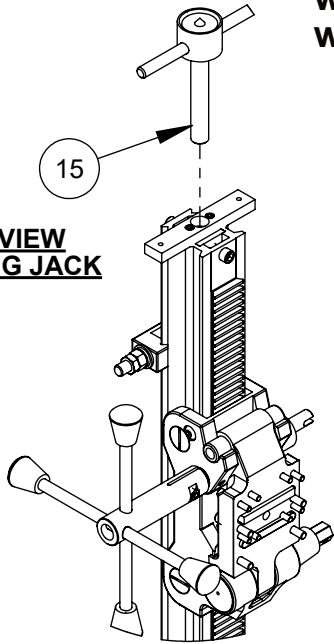


M5 Combination Angle Stand Assembly
with 40" Mast #4220030
with 50" Mast #4220032
with 60" Mast #4220031

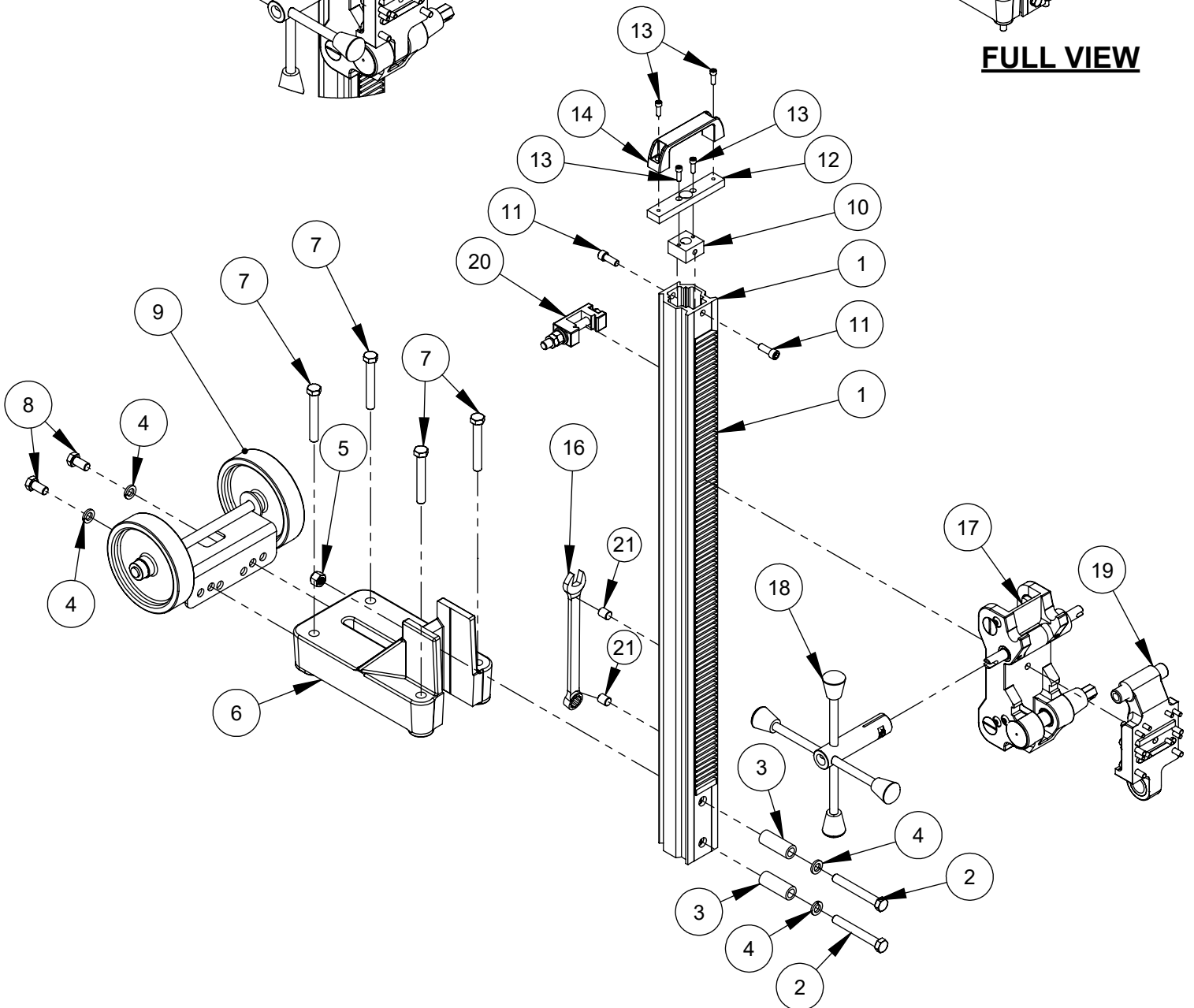
ITEM	PART NO.	QTY.	DESCRIPTION
1	4600106	1	M-5 Combo Mast 40"
	4600134	1	M-5 Combo Mast 50"
	4600123	1	M-5 Combo Mast 60"
2	4220083	1	Combination Angle Base Assembly
3	2900396	2	Cap Screw, Soc. Hd., 5/16-18 x 1/2"
4	2400186	2	Magnetic Catch
5	2400146	1	Wrench, 3/4" Combination
6	4600121	1	Mast Top
7	2900175	2	Cap Screw, Soc. Hd., 3/8-16 x 1"
8	4600105	1	Handle Plate
9	2400145	1	Handle
10	4645016	1	Ceiling Jack
11	4600128	1	M-5 Carriage Assembly
12	4600129	1	M-5 Spoke Handle Assembly
13	4600130	1	QD Motor Mount Assembly
14	2900247	4	Cap Screw, Soc. Hd., 1/4-20 x 3/4"

M-5 Anchor Drill Stand Assembly
 with 40" Mast #4220080
 with 50" Mast #4220082
 with 60" Mast #4220081

**PARTIAL VIEW
 WITH CEILING JACK**



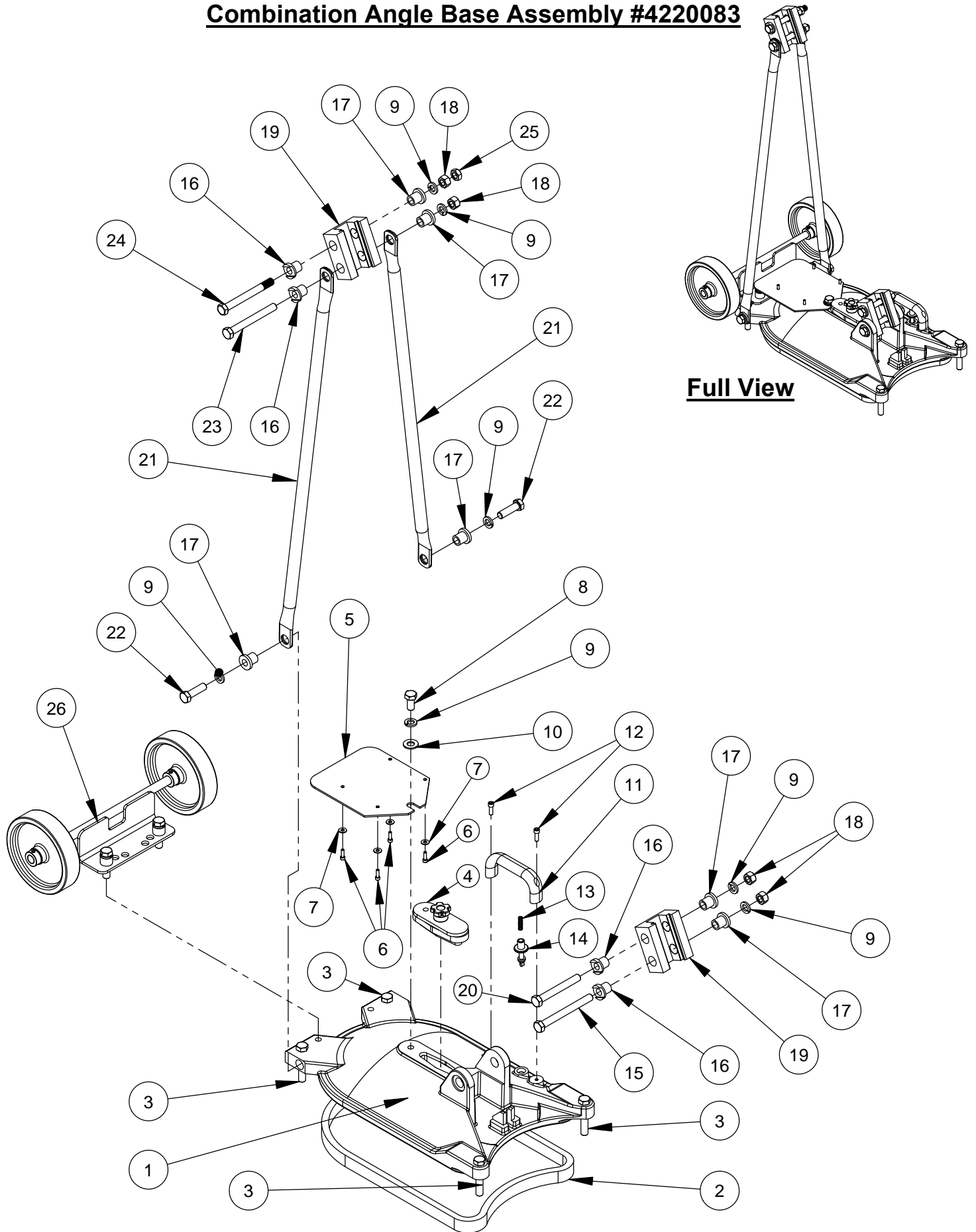
FULL VIEW



M-5 Anchor Drill Stand Assembly
with 40" Mast #4220080
with 50" Mast #4220082
with 60" Mast #4220081

ITEM	PART NO.	QTY.	DESCRIPTION
1	4600115	1	M-5 Anchor Mast 40"
	4600135	1	M-5 Mast 50" Long
	4600127	1	M-5 Mast 60" Long
2	2900400	2	Cap Screw, Hex Hd., 1/2-13 x 3-3/4"
3	4600117	2	M-5 Mast Bushing
4	2900084	4	Lock Washer, 1/2" Split
5	2900129	1	1/2"-13 Jam Nut
6	4600176	1	Anchor Base
7	2900542	4	Tap Bolt, Hex Hd., 1/2-13 x 3-1/2"
8	2900086	2	Cap Screw, Hex Hd., 1/2-13 x 1"
9	4645046	1	Wheel Assembly
10	4600121	1	Mast Top
11	2900175	2	Cap Screw, Soc. Hd., 3/8-16 x 1"
12	4600105	1	Handle Plate
13	2900247	4	Cap Screw, Soc. Hd., 1/4-20 x 3/4"
14	2400145	1	Handle
15	4645016	1	Ceiling Jack
16	2400146	1	Wrench, 3/4" Combination
17	4600128	1	M-5 Carriage Assembly
18	4600129	1	M-5 Spoke Handle Assembly
19	4600130	1	Quick Disconnect Motor Mount Assembly
20	4600139	1	Switch Mounting Clamp Assembly
21	2400186	2	Magnetic Catch

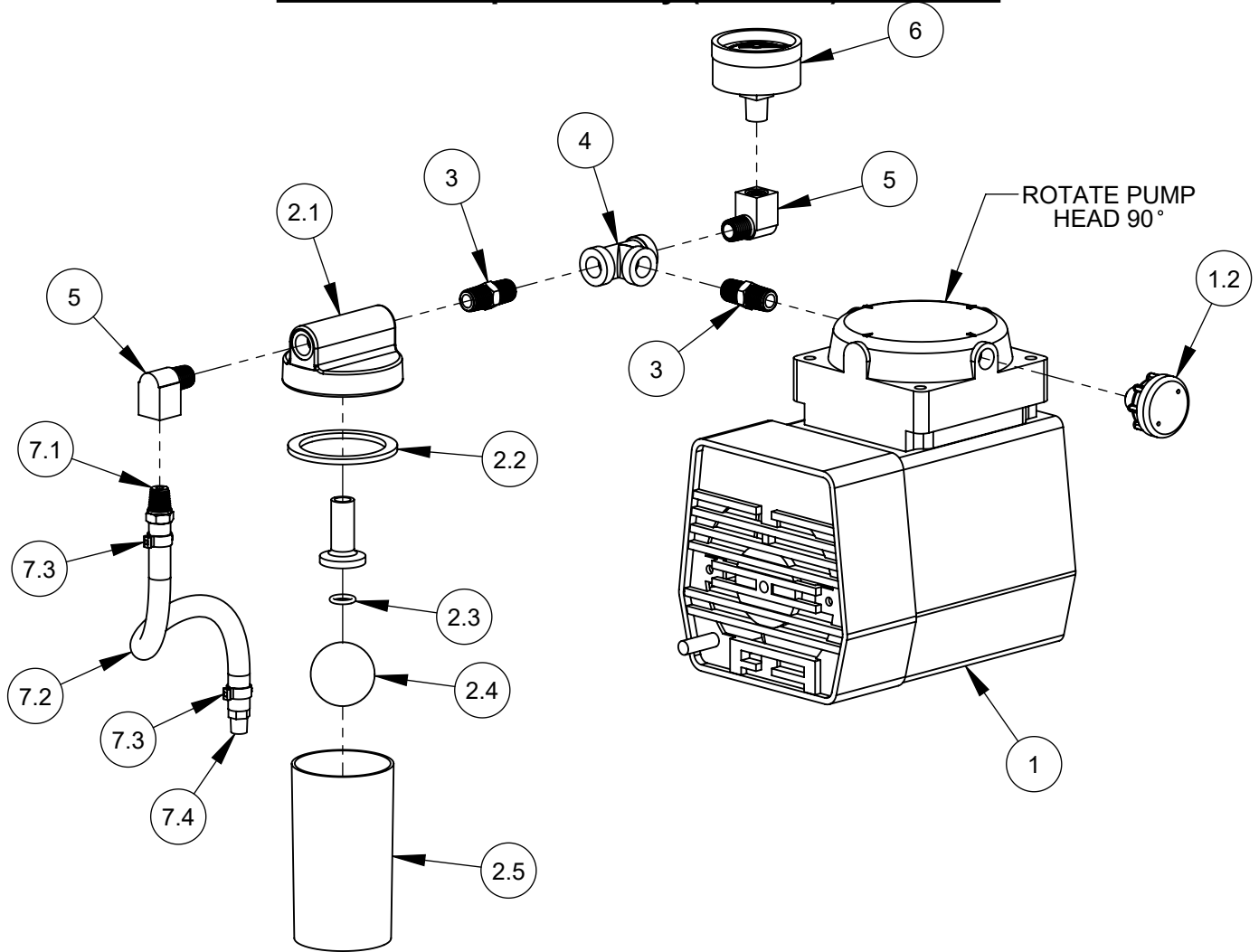
Combination Angle Base Assembly #4220083



Combination Angle Base Assembly #4220083

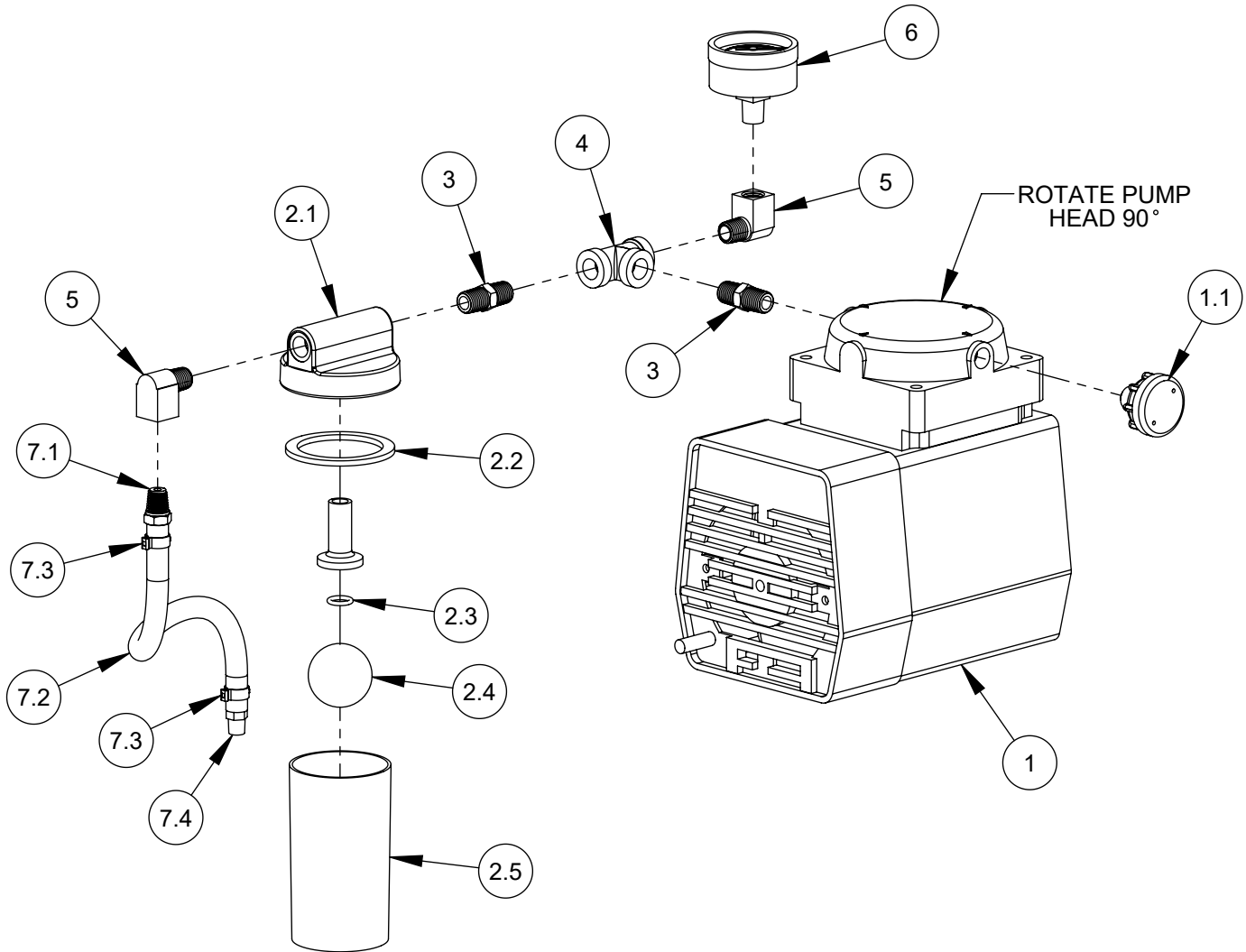
ITEM	PART NO.	QTY.	DESCRIPTION
1	4600101	1	M-5 Combo Base
2	4600132	1	Vacuum Gasket
3	2900541	4	Tap Bolt, Hex Hd., 1/2-13 x 2-3/4"
4	4600046	1	Slot Cap Assembly
5	4600120	1	Vacuum Pump Platform
6	2900087	4	Cap Screw, Soc. Hd., #10-32 x 5/8"
7	2900016	4	Flat Washer, #10 USS
8	2900086	1	Cap Screw, Hex Hd., 1/2-13 x 1"
9	2900084	7	Lock Washer, 1/2" Split
10	2900058	1	Flat Washer, 1/2" SAE
11	4600015	1	Base Handle
12	2900247	2	Cap Screw, Soc. Hd., 1/4-20 x 3/4"
13	2400149	1	Spring, 1" Long
14	4600022	1	Vacuum Release Valve
15	2900395	1	Cap Screw, Hex Hd., 1/2-13 x 5"
16	2400139	4	Clamping Bushing
17	2400140	6	Tension Bushing
18	2900037	4	Hex Nut, 1/2-13
19	4600104	2	Mast Sliding Clamp
20	2900509	1	Cap Screw, Hex Hd., 1/2-13 x 4"
21	4600107	2	Angle Brace Tube
22	2900139	2	Cap Screw, Hex Hd., 1/2-13 x 1-3/4"
23	2900403	1	Cap Screw, Hex Hd., 1/2-13 x 4-1/2"
24	2900504	1	Cap Screw, Hex Hd., 1/2-13 x 4-3/4"
25	2900129	1	Jam Nut, 1/2-13
26	4600125	1	Wheel Assembly

Vacuum Pump Assembly (115 Volt) #4244090



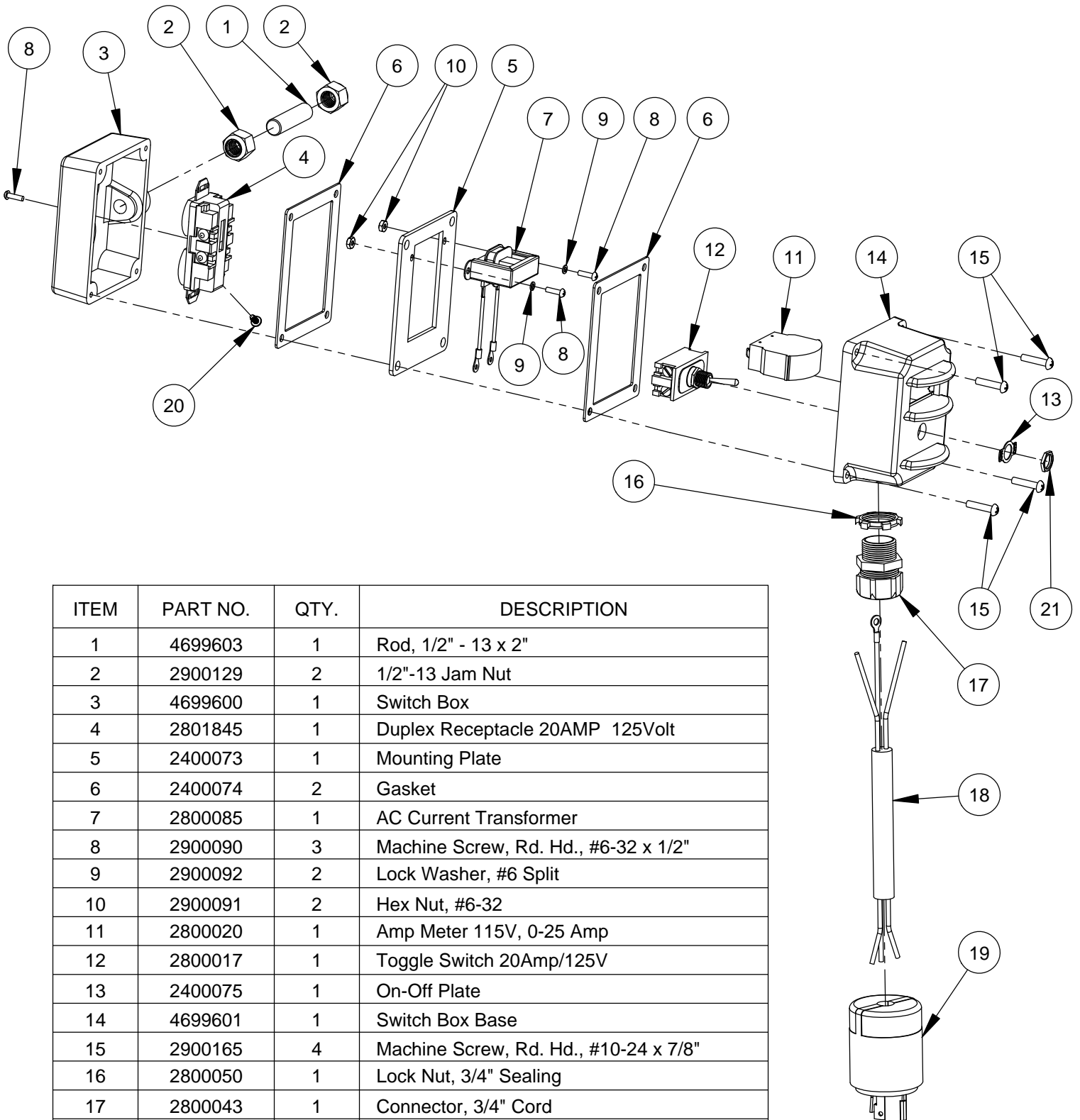
ITEM	PART NO.	QTY.	DESCRIPTION
1	2600016	1	Vacuum Pump
1.2	2700168	1	Muffer
2	2700171	1	Water Jar Assembly
2.1	2700014	1	Water Jar Lid
2.2	2700017	1	Water Jar Gasket
2.3	2400327	1	O-Ring
2.4	2700172	1	Float Ball
2.5	2700170	1	Water Trap Jar
3	3200060	2	Hex Nipple, 1/4" NPT
4	3200010	1	Pipe Tee, 1/4" FPT
5	3200012	2	Street Elbow, 1/4" NPT
6	2700164	1	Gauge, Vacuum
7	4699490	1	Hose Assembly
7.1	3200019	1	Fitting, 1/4" M. Pipe to 1/4" Hose Barb
7.2	4699430	1	Air Hose, 9-1/4" Long
7.3	3200017	2	Clamp, Pinch On
7.4	3200018	1	Fitting, 1/8" M. Pipe to 1/4" Hose Barb

Vacuum Pump Assembly (230 Volt) #4244091



ITEM	PART NO.	QTY.	DESCRIPTION
1	2600017	1	Vacuum Pump (230 Volt)
1.1	2700168	1	Muffler
2	2700171	1	Water Jar Assembly
2.1	2700014	1	Water Jar Lid
2.2	2700017	1	Water Jar Gasket
2.3	2400327	1	O-Ring
2.4	2700172	1	Float Ball
2.5	2700170	1	Water Trap Jar
3	3200060	2	Hex Nipple, 1/4" NPT
4	3200010	1	Pipe Tee, 1/4" FPT
5	3200012	2	Street Elbow, 1/4" NPT
6	2700164	1	Gauge, Vacuum
7	4699490	1	Hose Assembly
7.1	3200019	1	Fitting, 1/4" M. Pipe to 1/4" Hose Barb
7.2	4699430	1	Air Hose, 9-1/4" Long
7.3	3200017	2	Clamp, Pinch On
7.4	3200018	1	Fitting, 1/8" M. Pipe to 1/4" Hose Barb

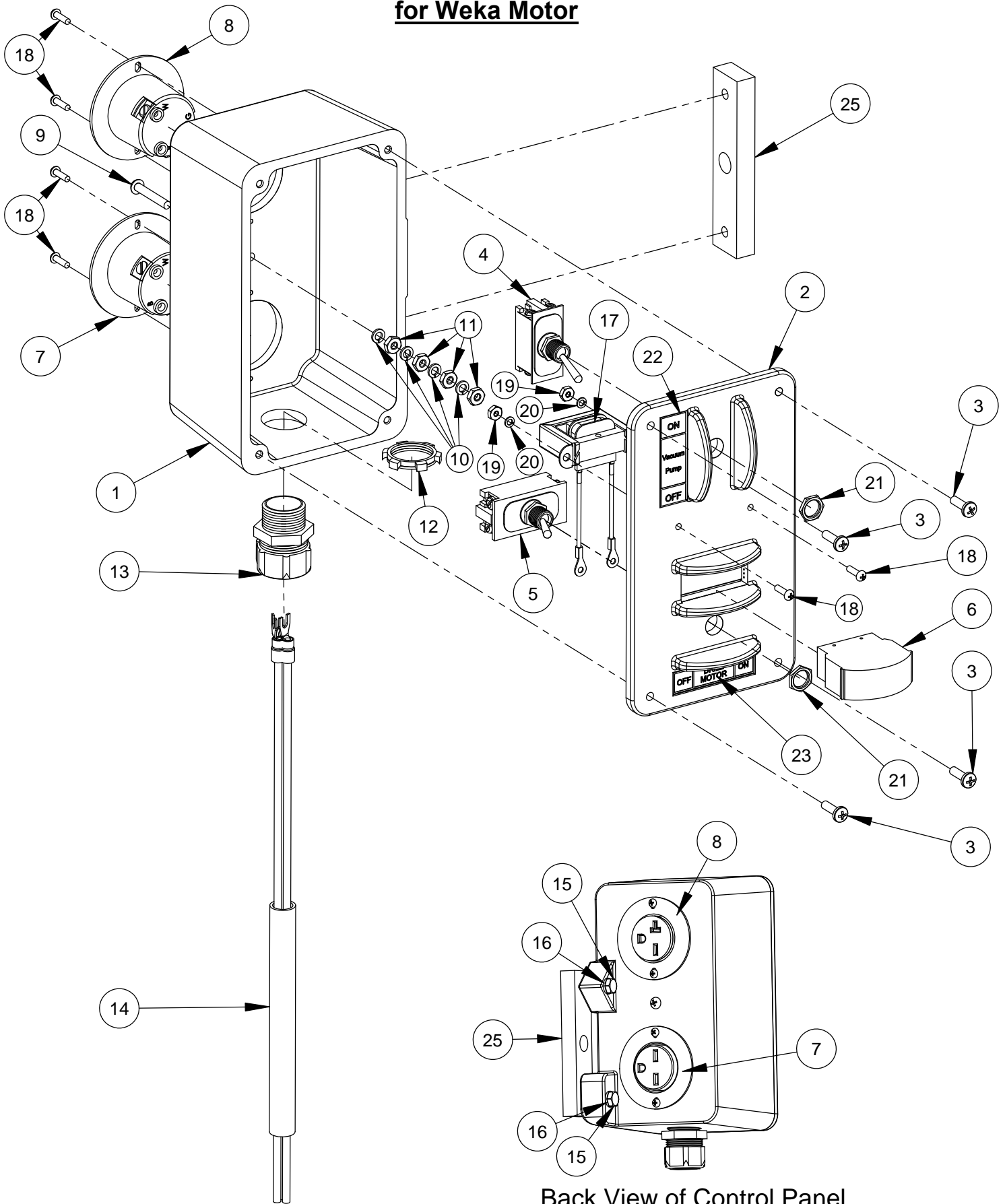
Single Switch/Dual Outlet #4277537 115 Volt



ITEM	PART NO.	QTY.	DESCRIPTION
1	4699603	1	Rod, 1/2" - 13 x 2"
2	2900129	2	1/2"-13 Jam Nut
3	4699600	1	Switch Box
4	2801845	1	Duplex Receptacle 20AMP 125Volt
5	2400073	1	Mounting Plate
6	2400074	2	Gasket
7	2800085	1	AC Current Transformer
8	2900090	3	Machine Screw, Rd. Hd., #6-32 x 1/2"
9	2900092	2	Lock Washer, #6 Split
10	2900091	2	Hex Nut, #6-32
11	2800020	1	Amp Meter 115V, 0-25 Amp
12	2800017	1	Toggle Switch 20Amp/125V
13	2400075	1	On-Off Plate
14	4699601	1	Switch Box Base
15	2900165	4	Machine Screw, Rd. Hd., #10-24 x 7/8"
16	2800050	1	Lock Nut, 3/4" Sealing
17	2800043	1	Connector, 3/4" Cord
18	4699602	1	Line Cord for Single Switch Control Panel
19	2800023	1	Plug, 125V, 30A, Twist Lock
20	2900206	1	Tap Screw, Pan Hd., #8-32 x 3/8"
21	2900204	1	Nut, Toggle Switch, 15/32"-32

Intentionally Blank

**Dual Switch/Dual Outlet Control Panel 230 Volt #4277595
with Control Bracket #4699958
for Weka Motor**



Back View of Control Panel

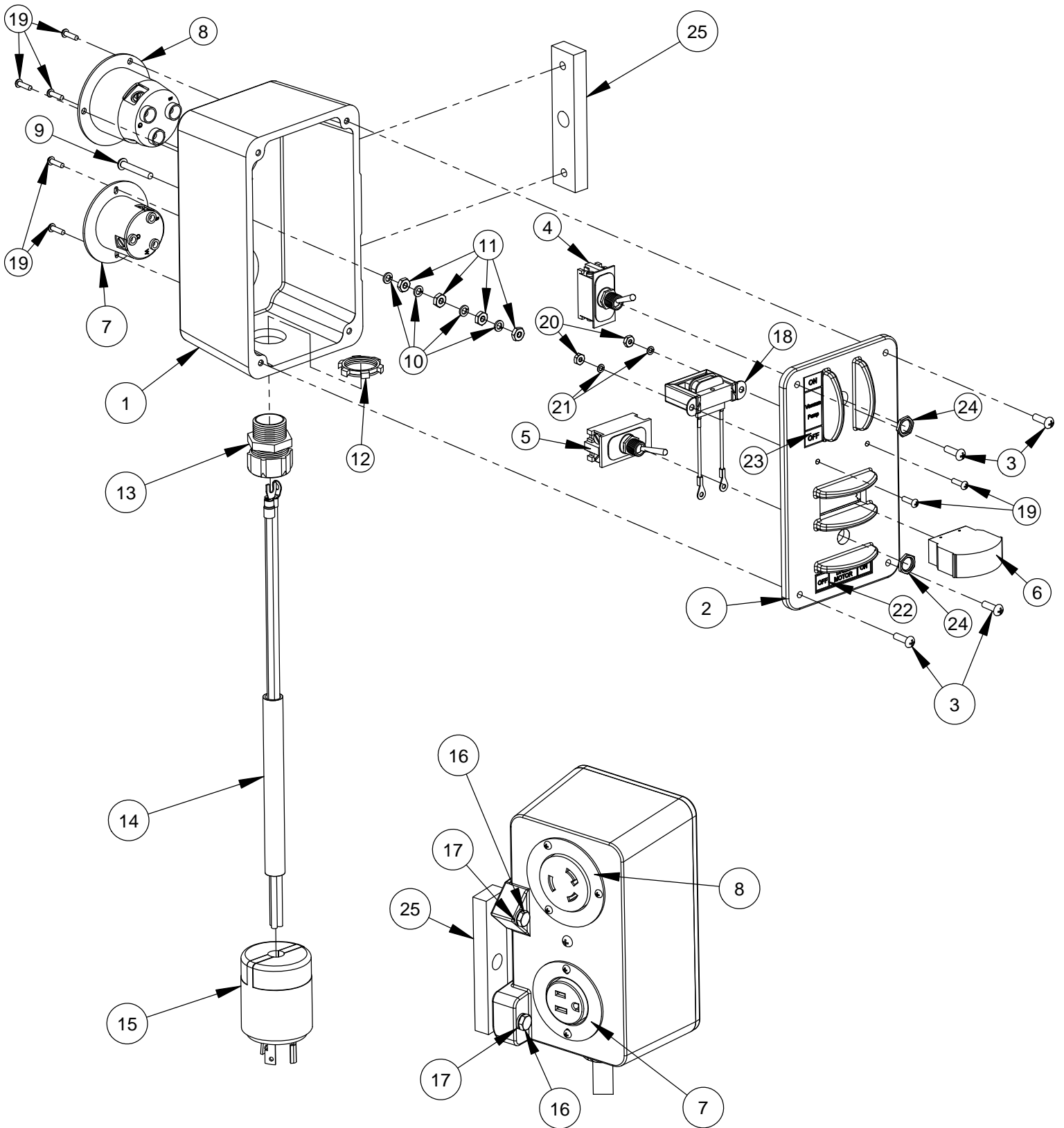
**Dual Switch/Dual Outlet Control Panel 230 Volt #4277595
for Weka Motor**

ITEM	PART NO.	QTY.	DESCRIPTION
1	4699440	1	Control Box Body
2	4699460	1	Cover Plate
3	2900159	4	Machine Screw, Pan Hd., #10-24 x 5/8"
4	2800016	1	Toggle Switch, 16A/125V
5	2800017	1	Toggle Switch, 20A/125V
6	2800020	1	Amp Meter 115V, 0-25 Amp
7	2800045	1	Flanged Outlet, 15 Amp, 250 Volt
8	2800046	1	Flanged Outlet, 20 Amp, 250 Volt
9	2900172	1	Machine Screw, Rd. Hd., #10-24 x 1-1/4"
10	2900038	4	Lock Washer, #10 Split
11	2900050	4	Hex Nut, #10-24
12	2800050	1	Lock Nut, 3/4" Sealing
13	2800043	1	Connector, 3/4" Cord
14	4699507	1	Line Cord for 230 Volt - 14"
15	2900052	2	1/4-20 x 1.25" Hex Head Cap Screw
16	2900024	2	Lock Washer, 1/4" Split
17	2800085	1	AC Current Transformer
18	2900090	6	Machine Screw, Rd. Hd., #6-32 x 1/2"
19	2900091	2	Hex Nut, #6-32
20	2900092	2	Lock Washer, #6 Split
21	2900204	2	Nut, Toggle Switch, 15/32"-32
22	1800254	1	ON/OFF Vacuum Pump Label
23	1800253	1	ON/OFF Drill Motor Label

Control Bracket

ITEM	PART NO.	QTY.	DESCRIPTION
25	4699958	1	Control Box Bracket

Dual Switch/Dual Outlet Control Panel 115V #4277594
with Control Bracket #4699958
for Weka Motor



Back View of Control Panel

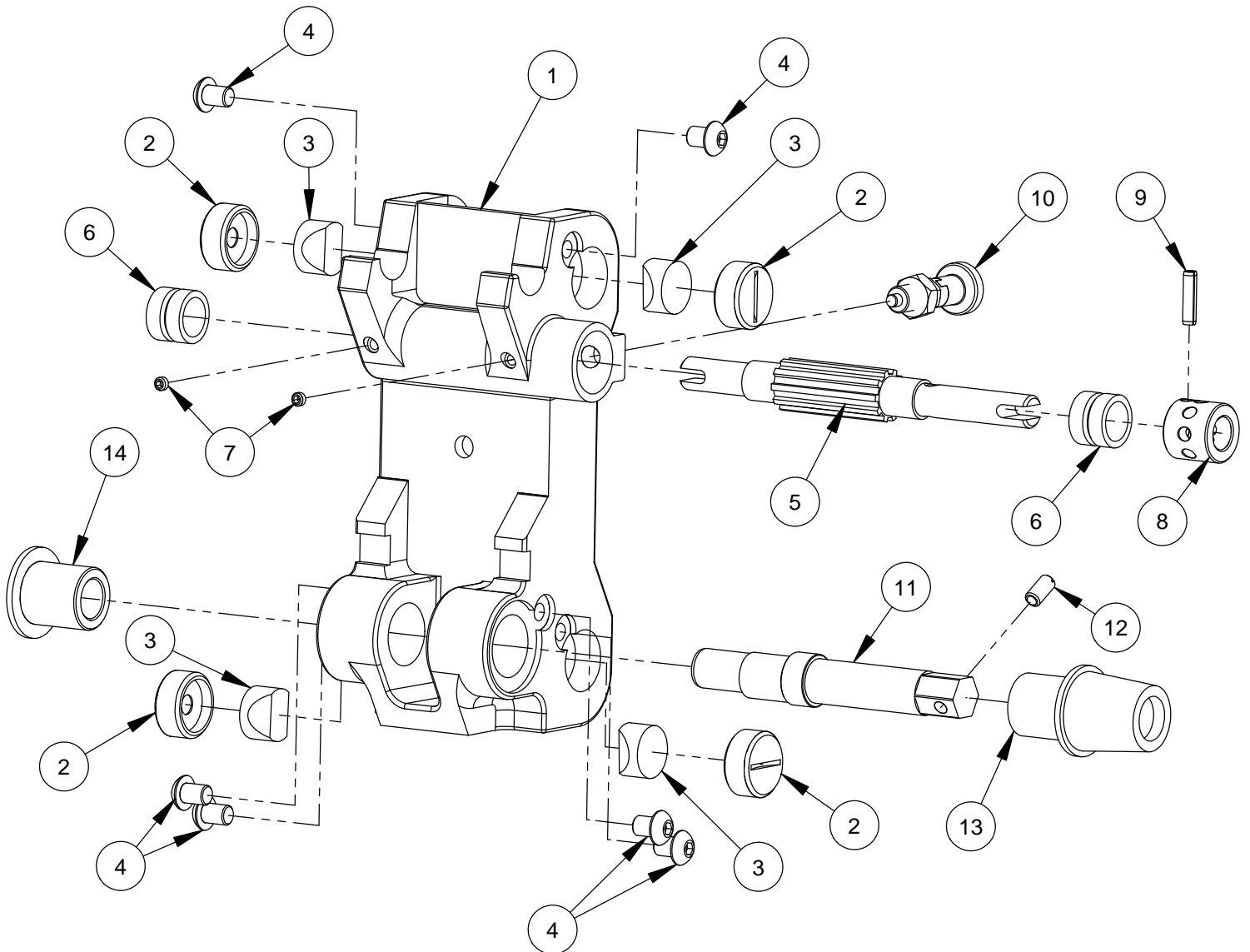
Dual Switch/Dual Outlet Control Panel 115V #4277594
for Weka Motor

ITEM	PART NO.	QTY.	DESCRIPTION
1	4699957	1	Control Box
2	4699460	1	Cover Plate
3	2900159	4	Machine Screw, Rd. Hd., #10-24 x 5/8"
4	2800016	1	Toggle Switch 16Amp/125V
5	2800017	1	Toggle Switch 20Amp/125V
6	2800558	1	Amp Meter 115V, 0-30 Amp
7	2800018	1	Flanged Outlet, 15 Amp, 125 Volt
8	2800039	1	Flanged Outlet, 30 Amp, 125 Volt
9	2900172	1	Machine Screw, Rd. Hd., #10-24 x 1-1/4"
10	2900038	4	Lock Washer, #10 Split
11	2900050	4	Hex Nut, #10-24
12	2800050	1	Lock Nut, 3/4" Sealing
13	2800171	1	Connector, 3/4" Cord
14	4699506	1	Line Cord for 115 Volt - 14"
15	2800023	1	Plug, 125V, 30A, Twist Lock
16	2900052	2	Cap Screw, Hex Hd., 1/4-20 x 1-1/4"
17	2900024	2	Lock Washer, 1/4" Split
18	2800085	1	AC Current Transformer
19	2900090	7	Machine Screw, Rd. Hd., #6-32 x 1/2"
20	2900091	2	Hex Nut, #6-32
21	2900092	2	Lock Washer, #6 Split
22	1800253	1	ON/OFF Drill Motor Label
23	1800254	1	ON/OFF Vacuum Pump Label
24	2900204	2	Nut, Toggle Switch, 15/32"-32

Control Bracket

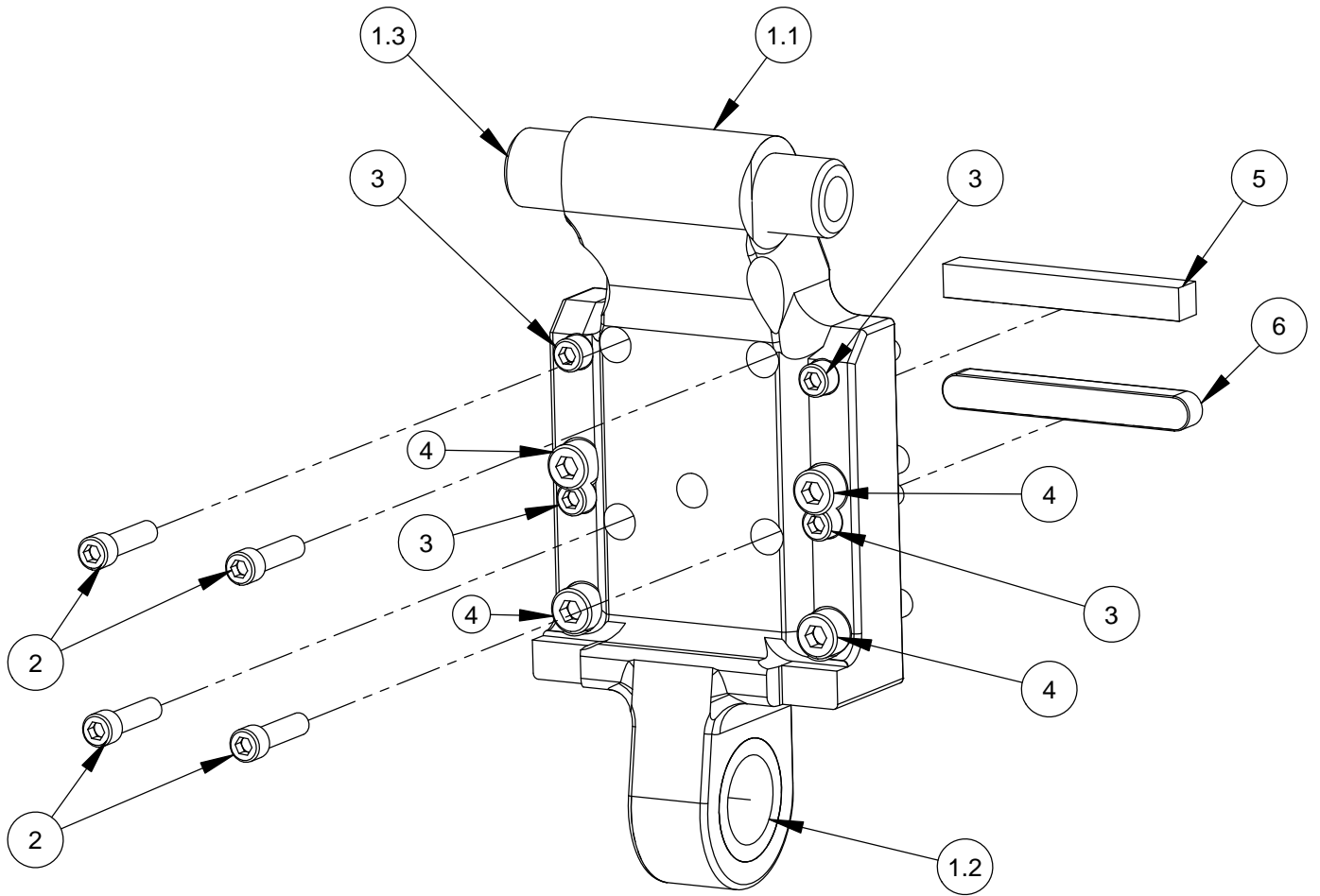
ITEM	PART NO.	QTY.	DESCRIPTION
25	4699958	1	Control Box Bracket

M-5 Carriage Assembly #4600128



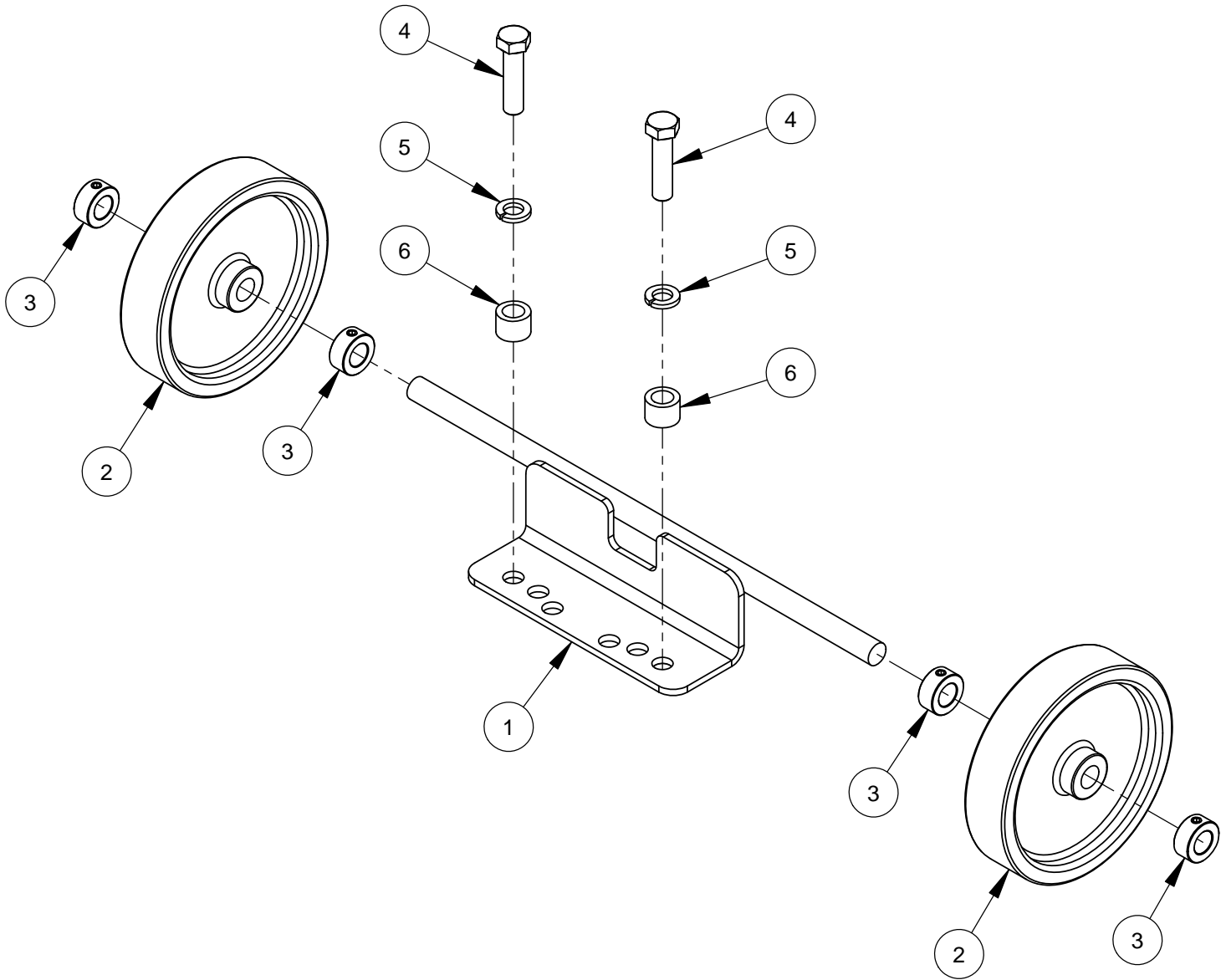
ITEM	PART NO.	QTY.	DESCRIPTION
1	4600102	1	M-5 Carriage
2	4600017	4	Guide Adjuster
3	4600018	4	Carriage Guide
4	2900285	6	Cap Screw, Button Hd., 3/8-24 x 1/2"
5	4600112	1	M-5 Pinion Gear
6	2400141	2	Pinion Bearing
7	2900386	2	Set Screw, Soc. Cone Point, 1/4-20 x 1/4"
8	4600113	1	Pinion Lock Bushing
9	2900391	1	Roll Pin, 1/4" x 1"
10	2400138	1	Indexing Plunger 1/2-13
11	4600108	1	Cam Lock Shaft
12	2400143	1	Ball Plunger M8
13	4600109	1	Cam Shaft Housing
14	4600110	1	Cam Shaft Bushing

Quick Disconnect Motor Mount Assembly #4600130



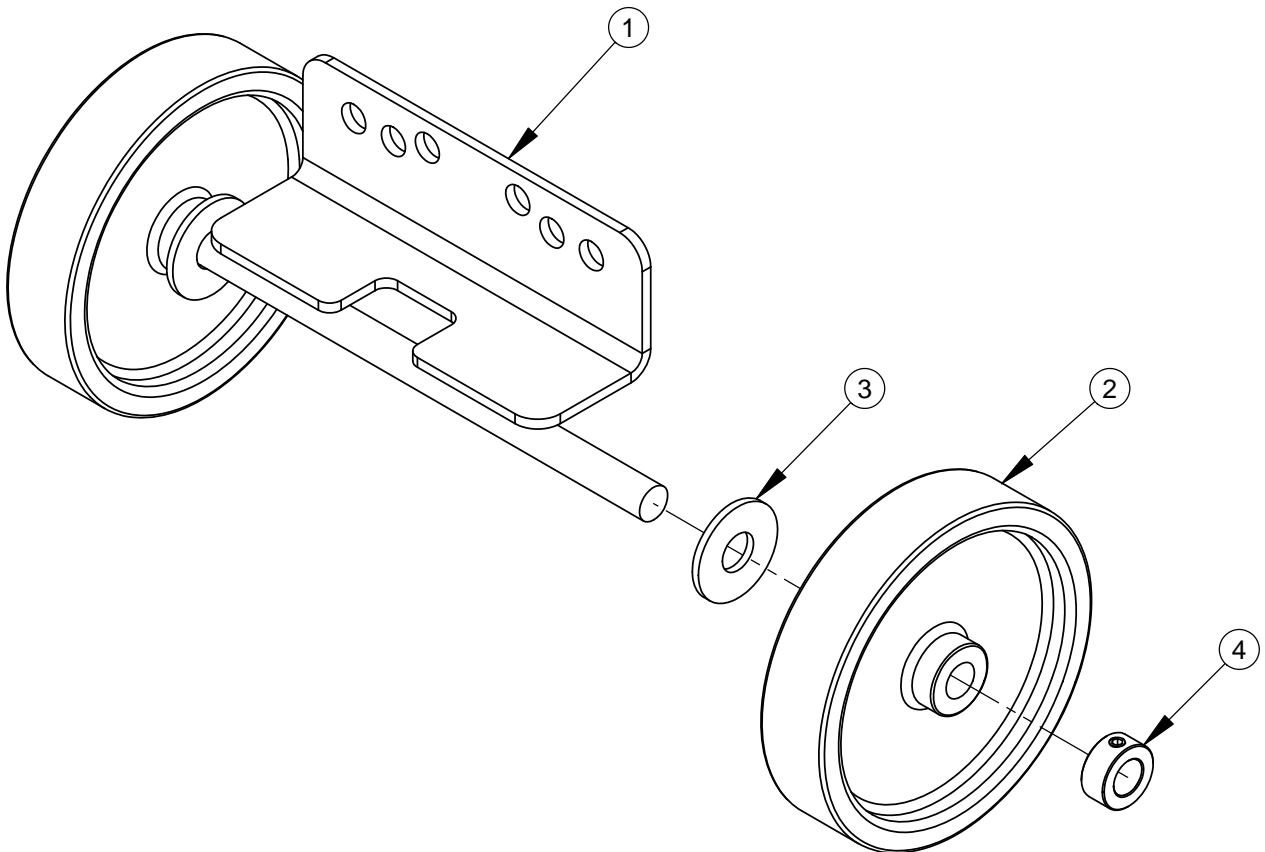
ITEM	PART NO.	QTY.	DESCRIPTION
1	4600157	1	QD Motor Mount Assembly
1.1	4600103	1	QD Motor Mount
1.2	2400144	1	Bronze Bearing, 1-3/8" x 1"
1.3	4600111	1	Support Tube
2	2900089	4	Cap Screw, Soc. Hd., 1/4-28 x 1"
3	2900399	4	Cap Srew, Soc Hd., 1/4-20 x 1-1/2"
4	2900398	4	Cap Screw, Soc. Hd., M8-1.25 x 40mm
5	4600131	1	Key, 3/8" Sq. x 3"
6	2900397	1	Parallel Key, 10mm x 8mm x 80mm

Wheel Assembly #4600125
for Combination Base



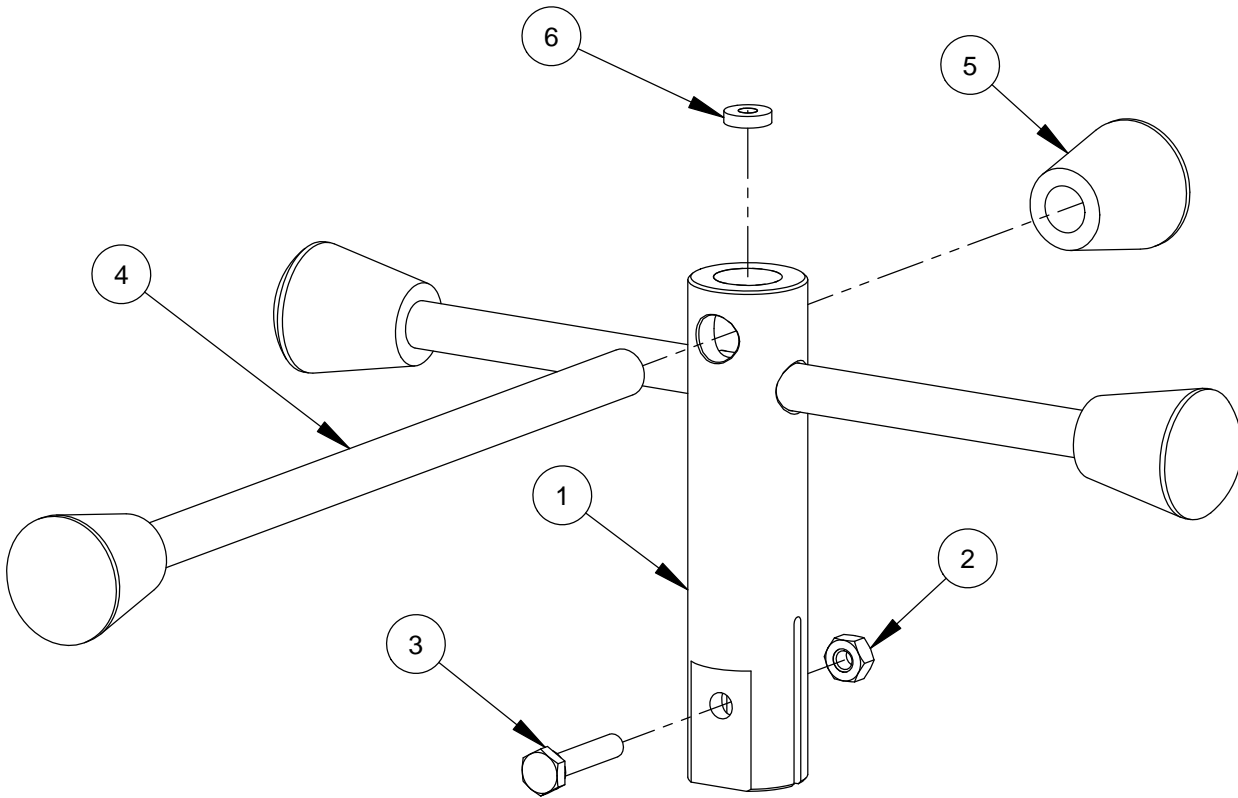
ITEM	PART NO.	QTY.	DESCRIPTION
1	4646079	1	Wheel Mount Bracket
2	2400004	2	Wheel, 6"
3	2500008	4	Set Collar, 5/8" with Set Screw
4	2900106	2	Cap Screw, Hex Hd., 1/2-13 x 2"
5	2900084	2	Lock Washer, 1/2" Split
6	4600126	2	Spacer, 5/8" Long

Wheel Assembly #4645046
for Anchor Stand



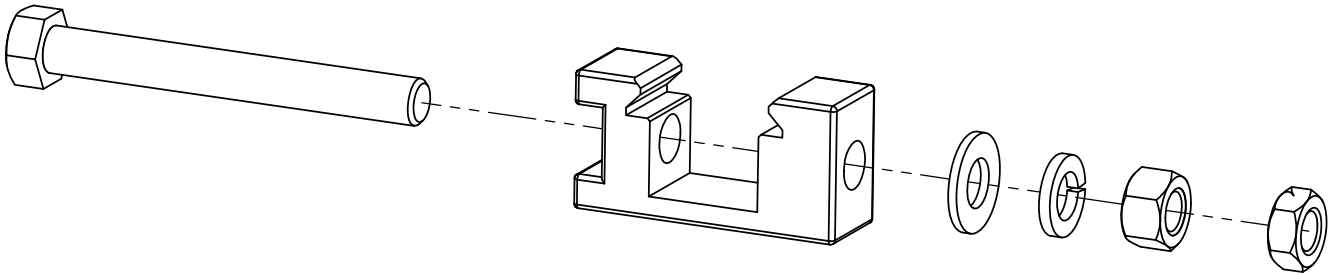
ITEM	PART NO.	QTY.	DESCRIPTION
1	4646077	1	Wheel Mount Bracket Assembly
2	2400004	2	Wheel, 6"
3	2900128	2	Flat Washer, 5/8" USS
4	2500008	2	Set Collar, 5/8" with Set Screw

M-5 Spoke Handle Assembly #4600129

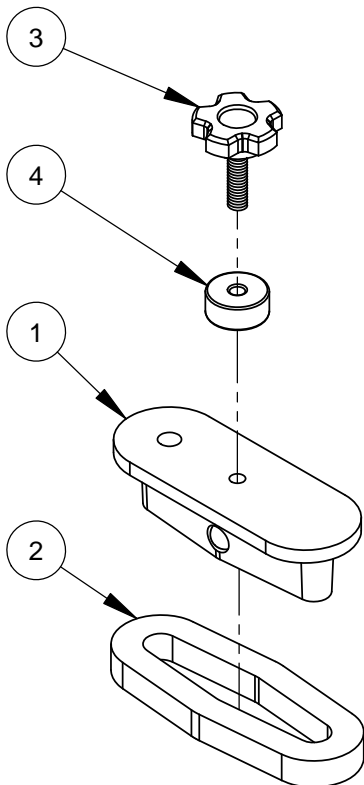


ITEM	PART NO.	QTY.	DESCRIPTION
1	4600114	1	Handle Housing
2	2900125	1	Hex Nut, 1/4-20
3	2900052	1	Cap Screw, Hex Hd., 1/4-20 x 1-1/4"
4	4600012	2	Feed Handle
5	2400155	4	Knob, Tapered, Push On
6	2900390	1	Washer, 1/4" Cushion

Switch Mounting Clamp Assembly #4600139



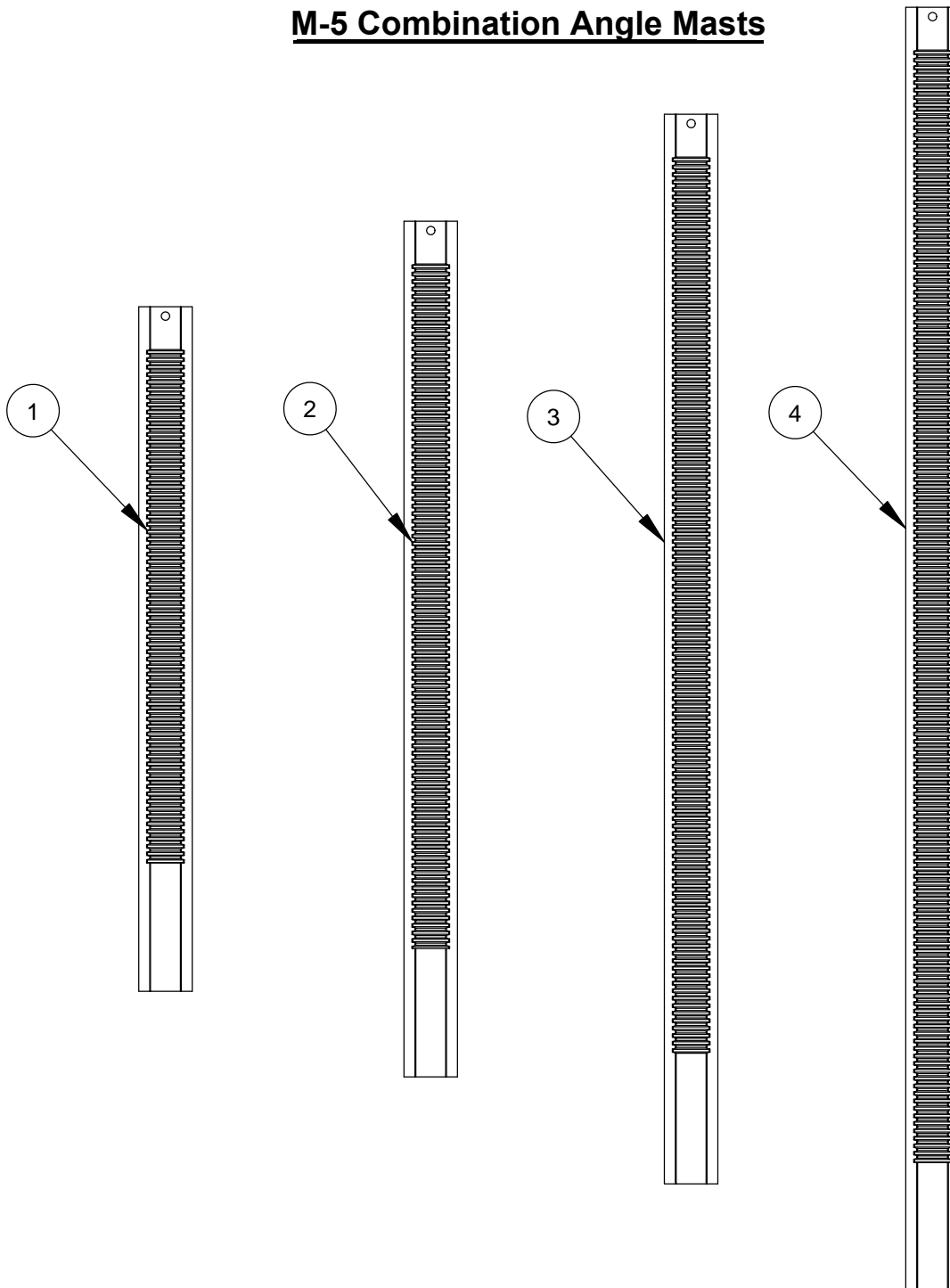
ITEM	PART NO.	QTY.	DESCRIPTION
1	4600138	1	Switch Mounting Plate
2	2900414	1	Cap Screw, Hex Hd., 1/2-13 x 4-1/4"
3	2900058	1	Flat Washer, 1/2" SAE
4	2900084	1	Lock Washer, 1/2" Split
5	2900037	1	Hex Nut, 1/2-13
6	2900129	1	Jam Nut, 1/2-13



Slot Cap Assembly #4600046

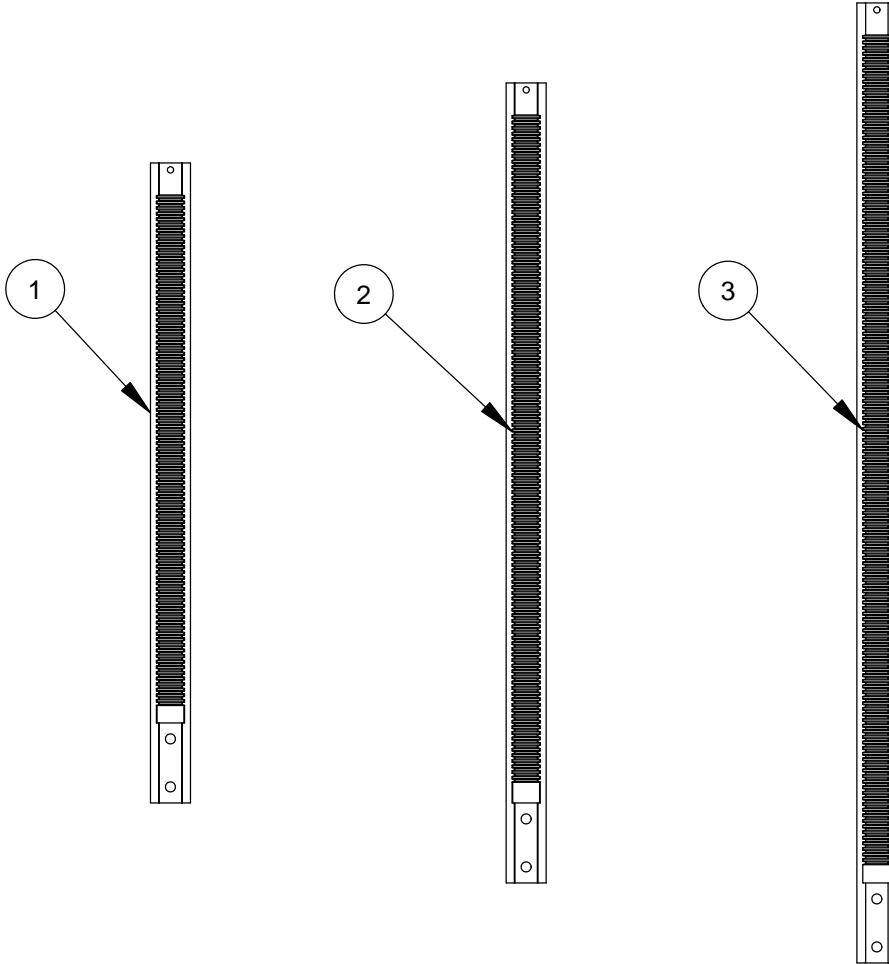
ITEM	PART NO.	QTY.	DESCRIPTION
1	4600004	1	Slot Cap with Balls
2	2400003	1	Slot Cap Gasket
3	2400130	1	Slot Cap Knob
4	2400169	1	Knob Gasket

M-5 Combination Angle Masts

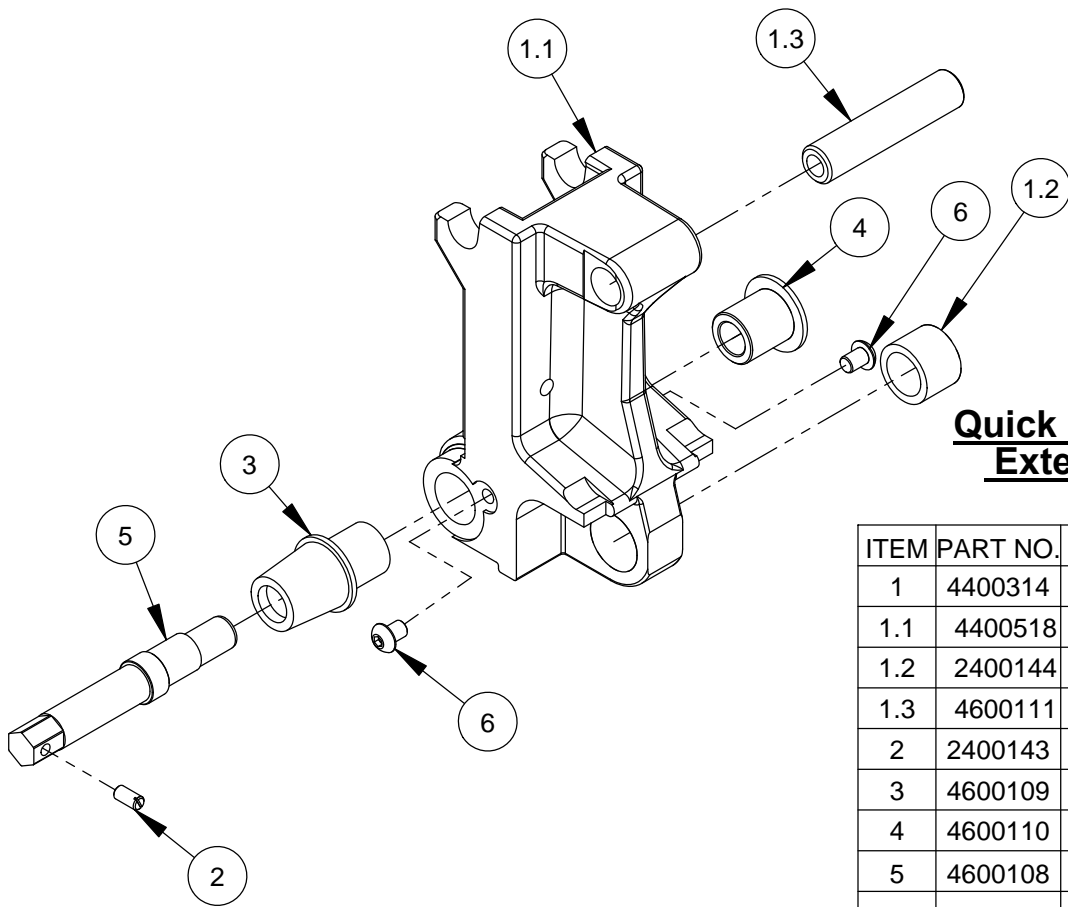


ITEM	PART NO.	QTY.	DESCRIPTION
1	4600122	1	M-5 Combo Mast 32"
2	4600106	1	M-5 Combo Mast 40"
3	4600134	1	M-5 Combo Mast 50"
4	4600123	1	M-5 Combo Mast 60"

M-5 Anchor Masts

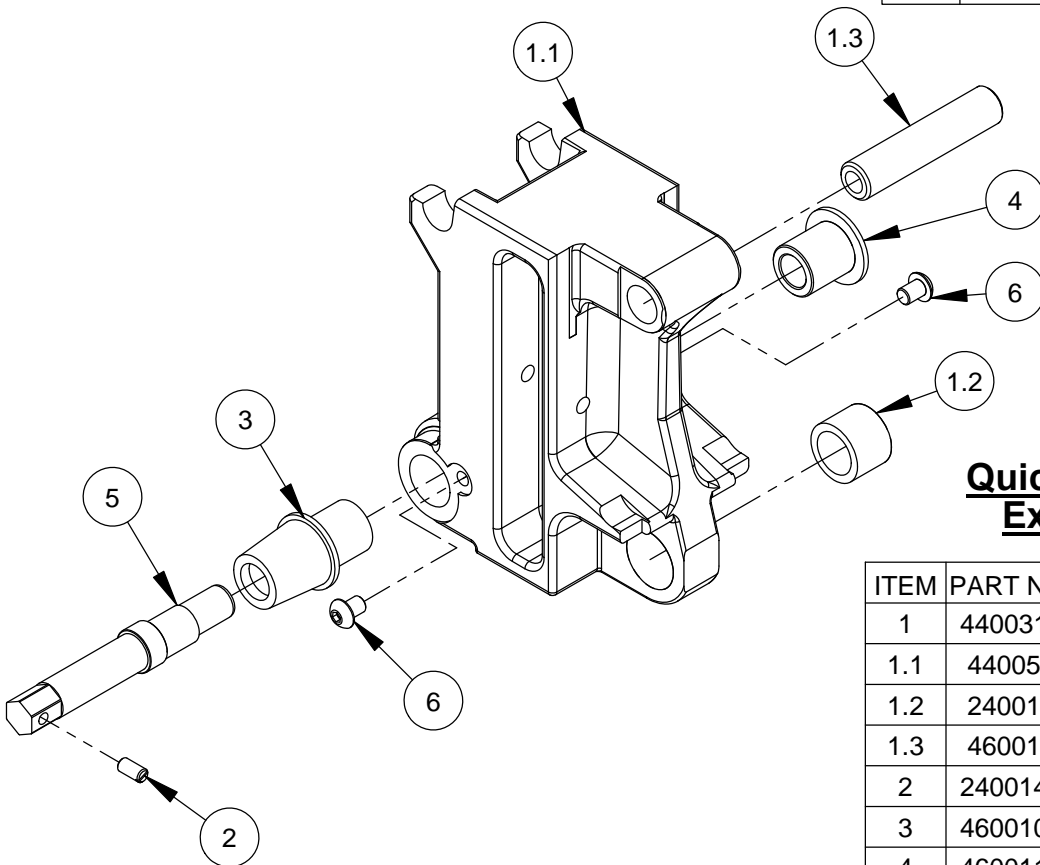


ITEM	PART NO.	QTY.	DESCRIPTION
1	4600115	1	M-5 Anchor Mast 40"
2	4600135	1	M-5 Anchor Mast 50"
3	4600127	1	M-5 Anchor Mast 60"



**Quick Disconnect Outrigger
Extension 7" #4400312**

ITEM	PART NO.	QTY.	DESCRIPTION
1	4400314	1	M-5 QD Outrigger 7"
1.1	4400518	1	M-5 Outrigger-7" Extension
1.2	2400144	1	Bronze Bearing, 1-3/8" x 1"
1.3	4600111	1	Support Tube
2	2400143	1	Ball Plunger M8
3	4600109	1	Cam Shaft Housing
4	4600110	1	Cam Shaft Bushing
5	4600108	1	Cam Lock Shaft
6	2900285	2	Cap Screw, Button Hd., 3/8-24 x 1/2"



**Quick Disconnect Outrigger
Extension 10" #4400313**

ITEM	PART NO.	QTY.	DESCRIPTION
1	4400316	1	M-5 QD Outrigger 10"
1.1	4400519	1	M-5 Outrigger 10" Extension
1.2	2400144	1	Bronze Bearing, 1-3/8" x 1"
1.3	4600111	1	Support Tube
2	2400143	1	Ball Plunger M8
3	4600109	1	Cam Shaft Housing
4	4600110	1	Cam Shaft Bushing
5	4600108	1	Cam Lock Shaft
6	2900285	2	Cap Screw, Button Hd., 3/8-24 x 1/2"

EQUIPMENT AND PARTS WARRANTY

Diamond Products warrants all equipment manufactured by it against defects in workmanship or materials for a period of one (1) year from the date of shipment to Customer.

The responsibility of Diamond Products under this Warranty is limited to replacement or repair of defective parts at Diamond Products' Elyria, Ohio factory, or at a point designated by it, of such parts as shall appear to us upon inspection at such parts, to have been defective in material or workmanship, with expense for transportation and labor borne by Customer.

In no event shall Diamond Products be liable for consequential or incidental damages arising out of the failure of any Product to operate properly.

Integral units such as engines, electric motors, batteries, transmissions, etc., are excluded from this Warranty and are subject to the prime manufacturer's warranty.

THIS WARRANTY IS IN LIEU OF ALL OTHER WARRANTIES, EXPRESSED OR IMPLIED, AND ALL SUCH OTHER WARRANTIES ARE HEREBY DISCLAIMED.



333 Prospect Street, Elyria, Ohio 44035
(440) 323-4616 • (800) 321-5336 • Fax (800) 634-4035
www.diamondproducts.com