



**HYDROSTRESS
PARTS LIST**

**SB
WIRE SAW**

NOVEMBER, 2023

How to use the spare parts list

The spare parts list is not intended as instructions for assembly or dismantling work. It is exclusively intended to help you to quickly and easily find spare parts, which can then be ordered at the address below.

Safety regulations



Danger

The assembling or dismantling of modules can involve risks which are not identified in this spare parts list.
The use of this spare parts list for assembly or dismantling purposes is strictly forbidden. For assembly or dismantling tasks it is essential to only follow the corresponding descriptions in the operating manual.
If this regulation is not heeded injuries may be incurred which in the worst case can also be fatal.

Ordering



Information

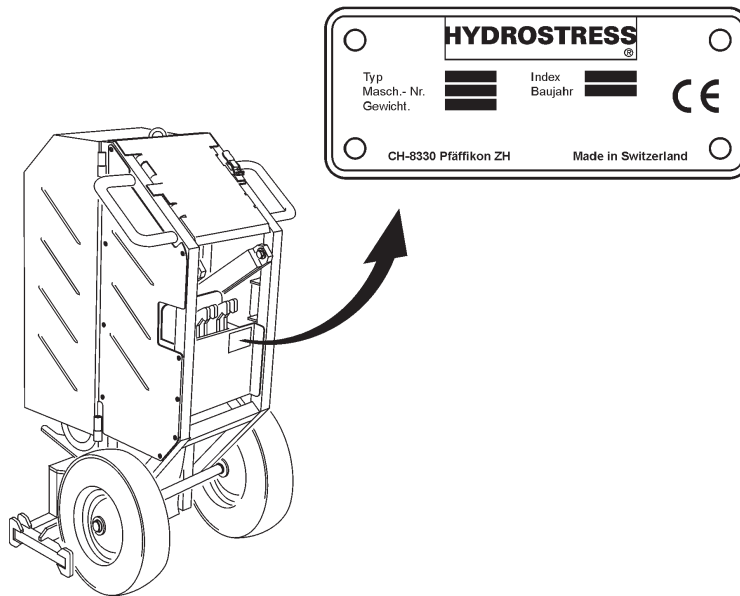
To avoid incorrect deliveries you should check the order details for correctness and completeness (see under ordering details) prior shipment.
You should ensure that the delivery address is given in full.

Order address

TYROLIT Hydrostress AG
Witzbergstrasse 18
CH-8330 Pfäffikon
Switzerland
Tel. +41 (0) 44 / 952 18 18
Fax +41 (0) 44 / 952 18 00
e-mail: info@tyrolit.com
www.tyrolit.com

Spare Parts List

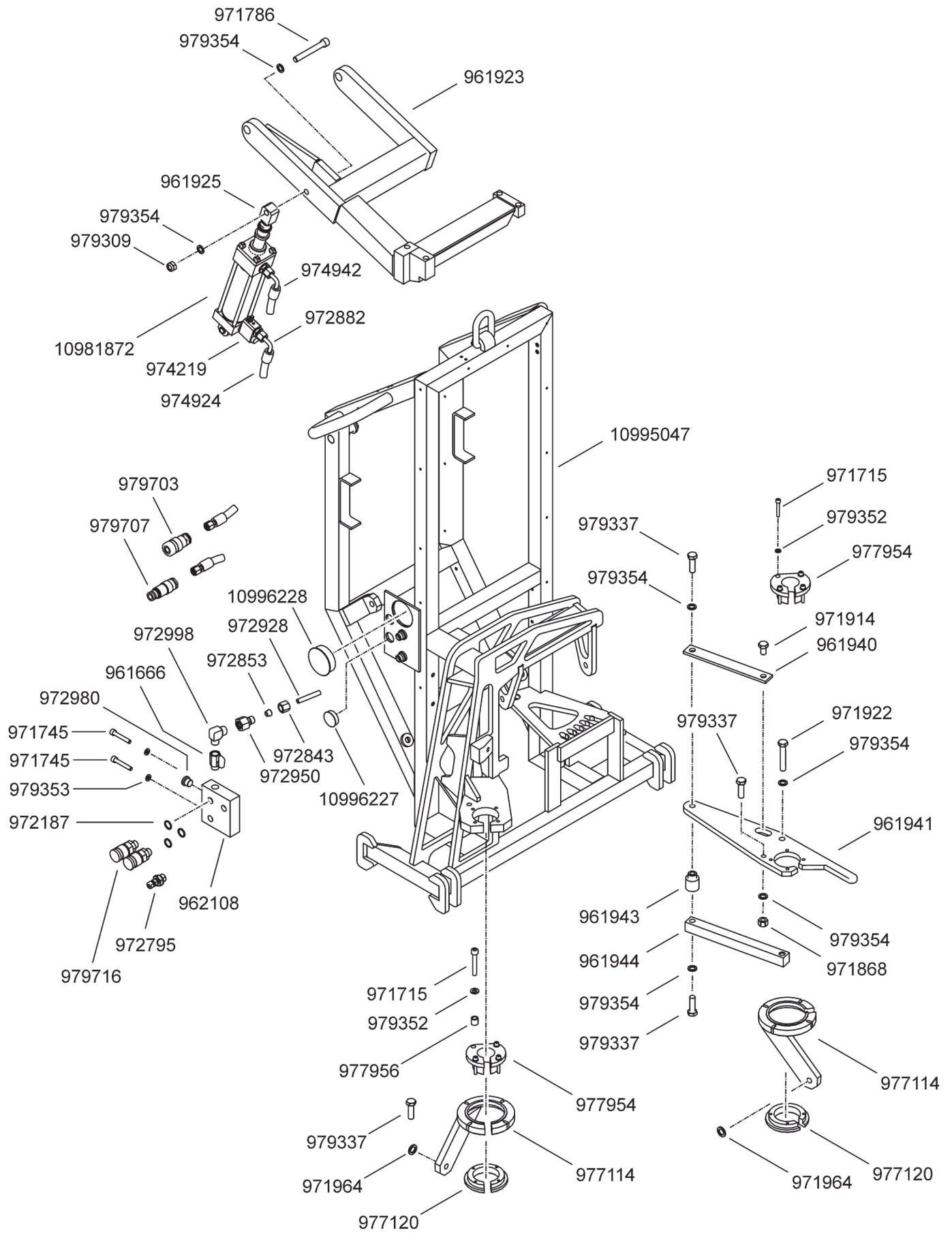
Ordering details

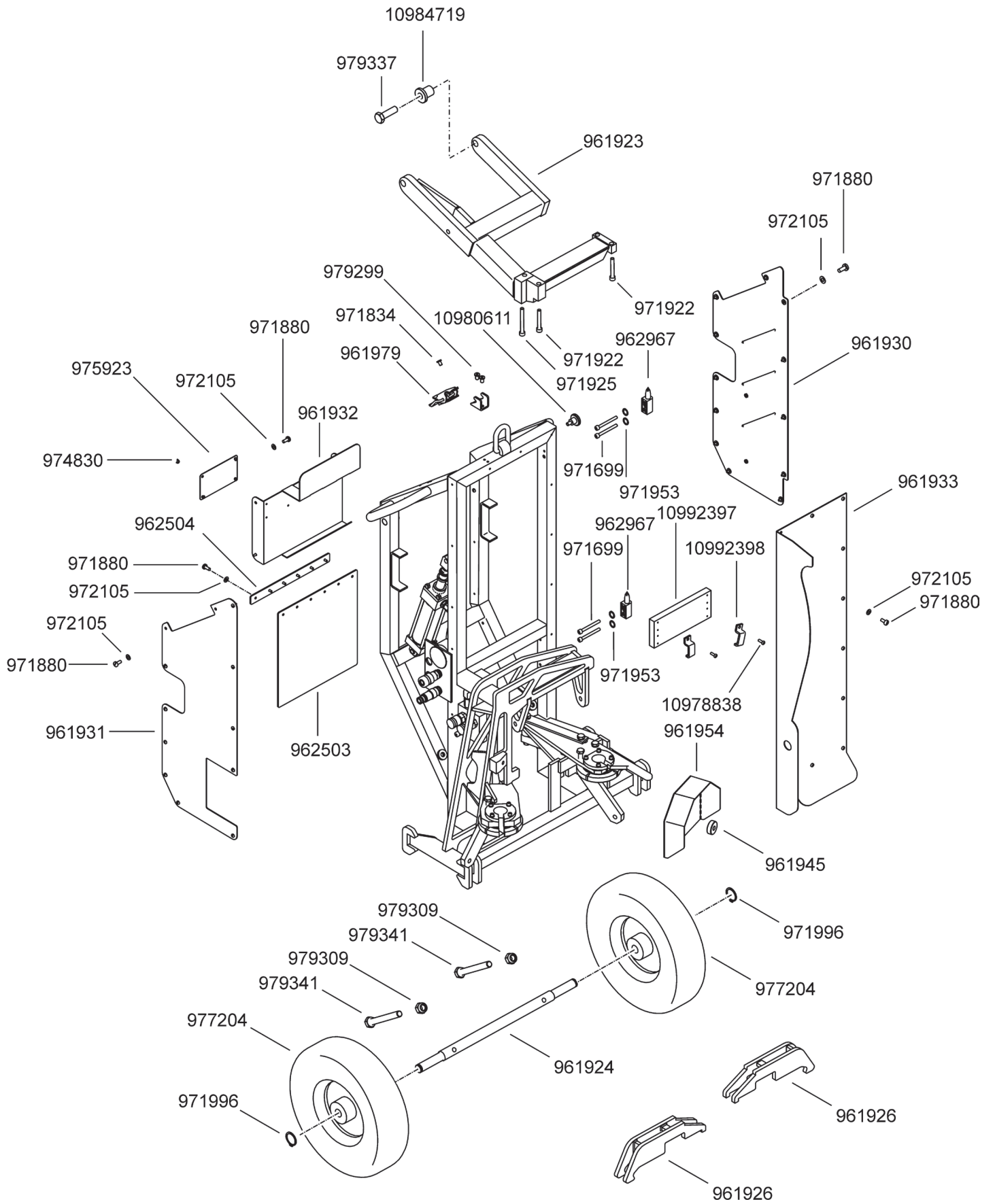


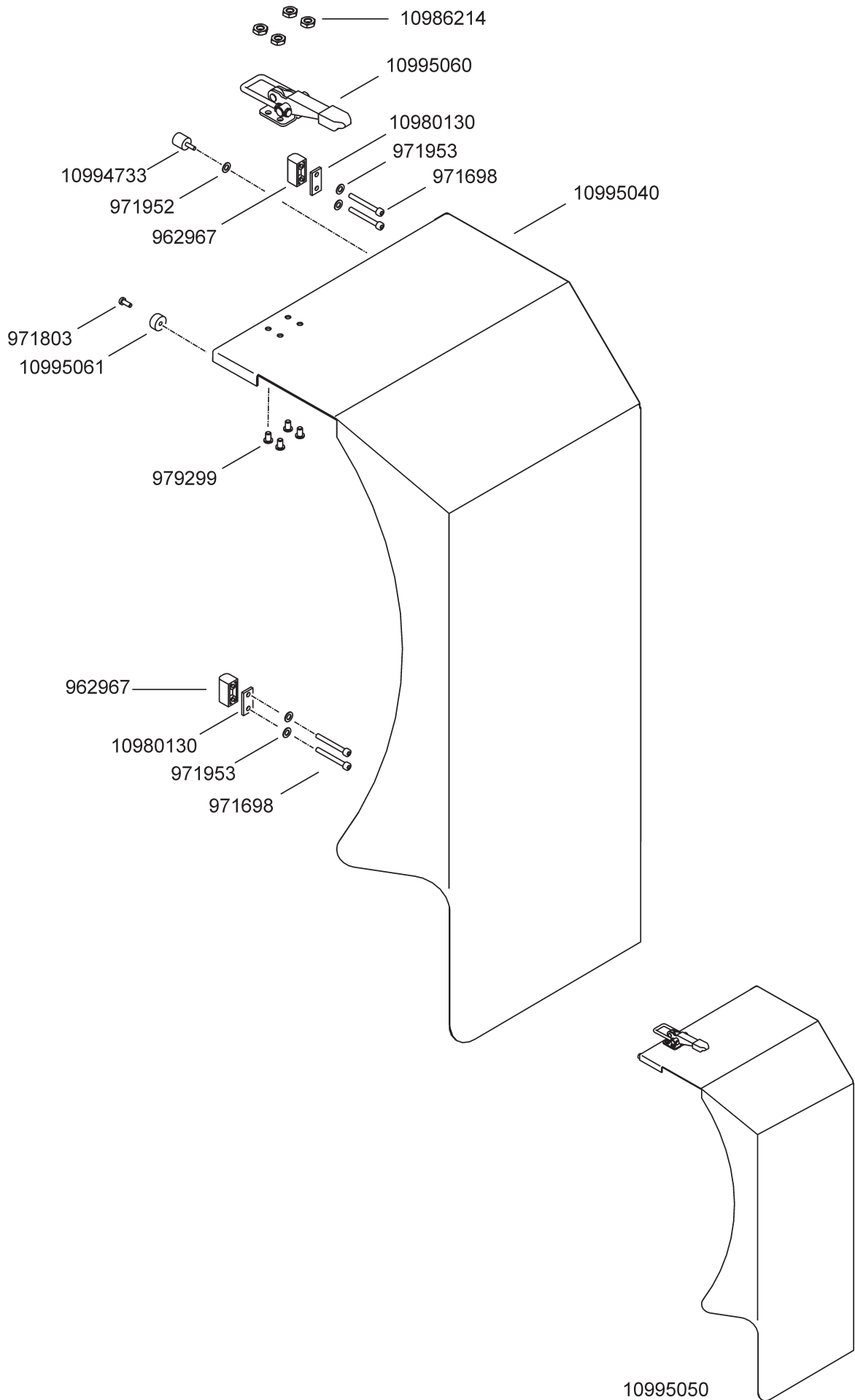
When spare parts are ordered we need the following details:

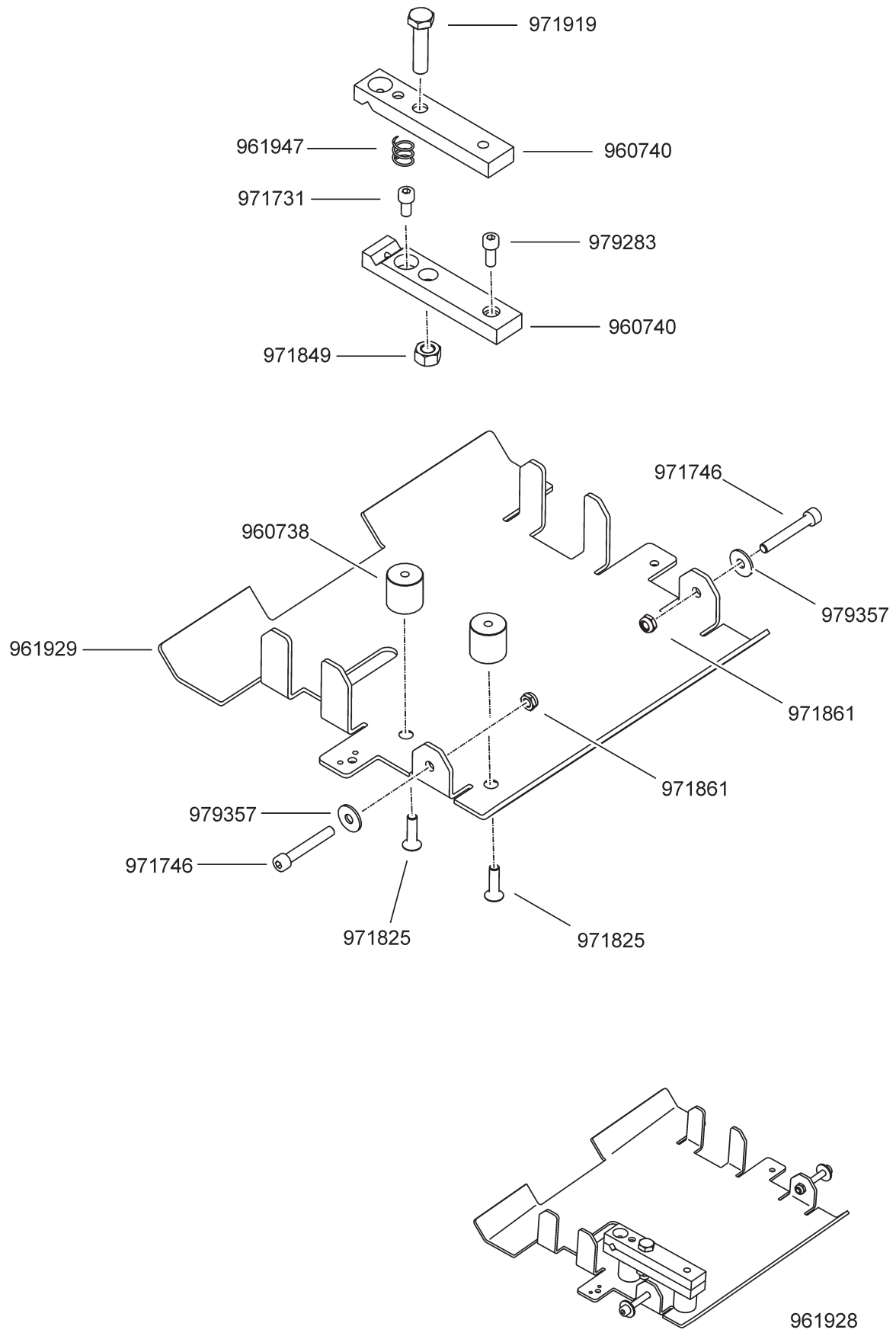
- Machine type according to nameplate (e.g. SB)
- Machine number according to nameplate (e.g. 961946)
- Machine index according to nameplate (e.g. 002)
- Spare part number according to the spare parts list (e.g. 961923)

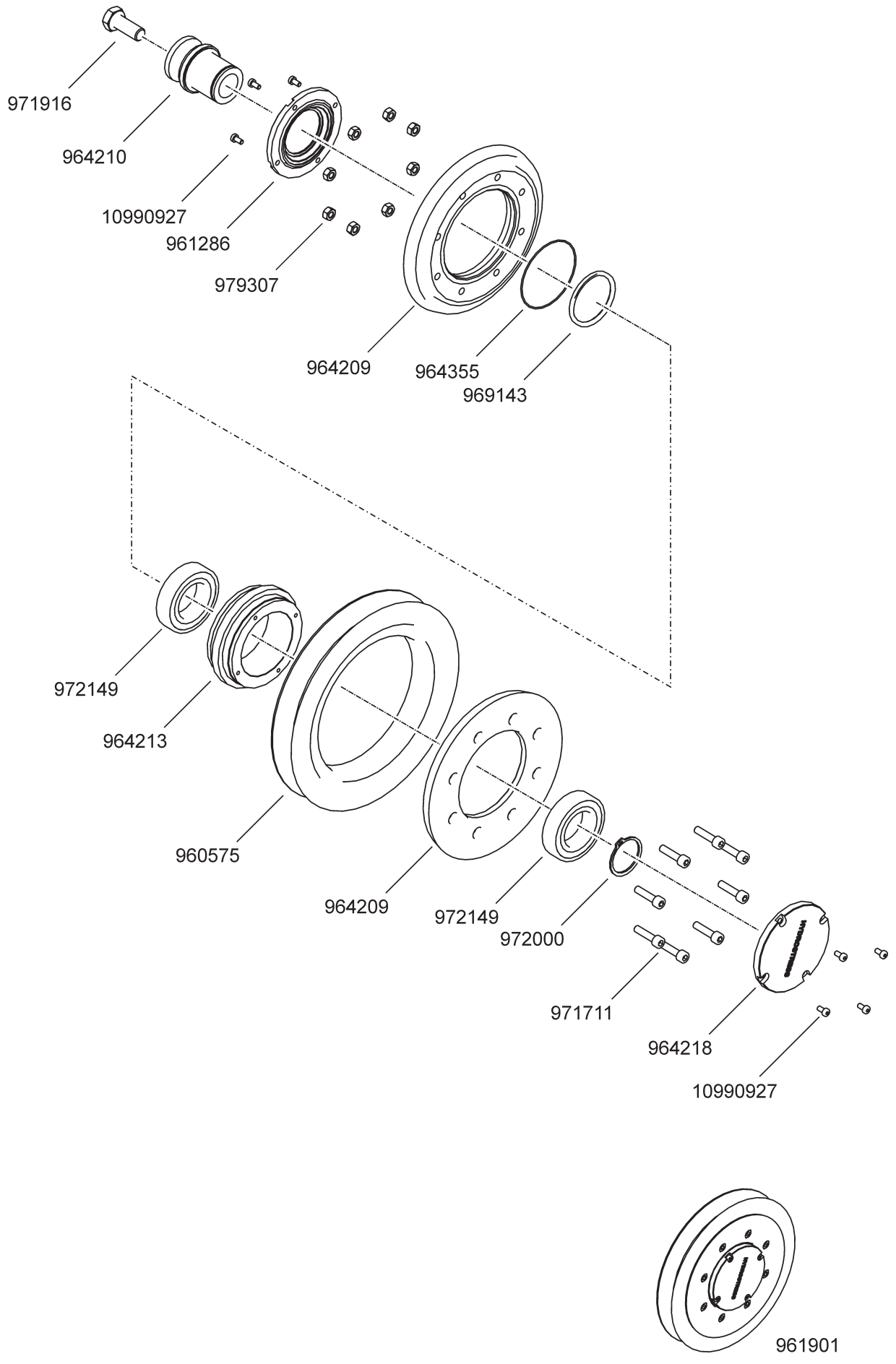
For orders, questions and information please contact your responsible branch office.

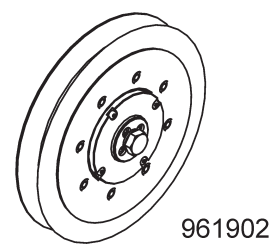
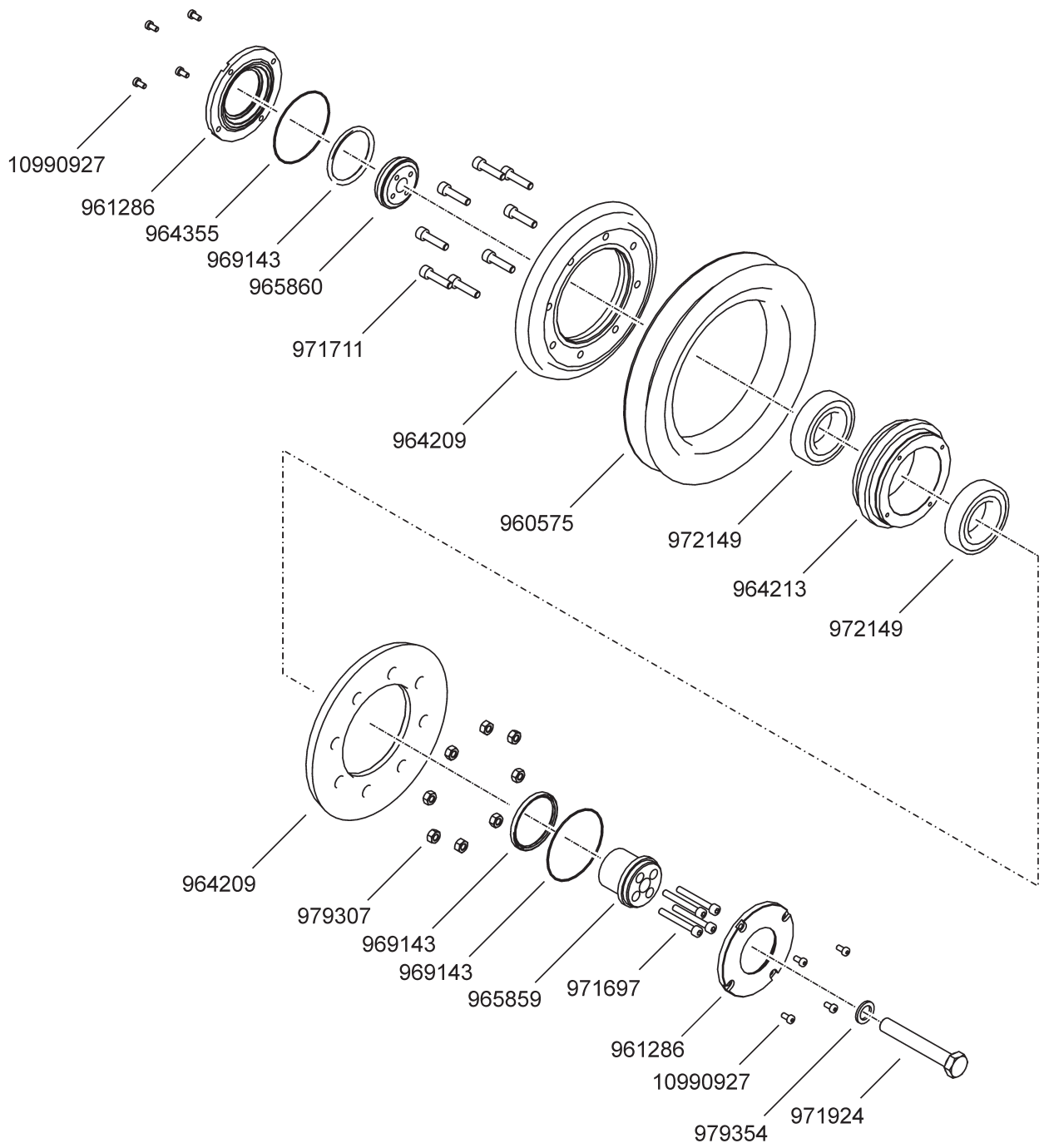


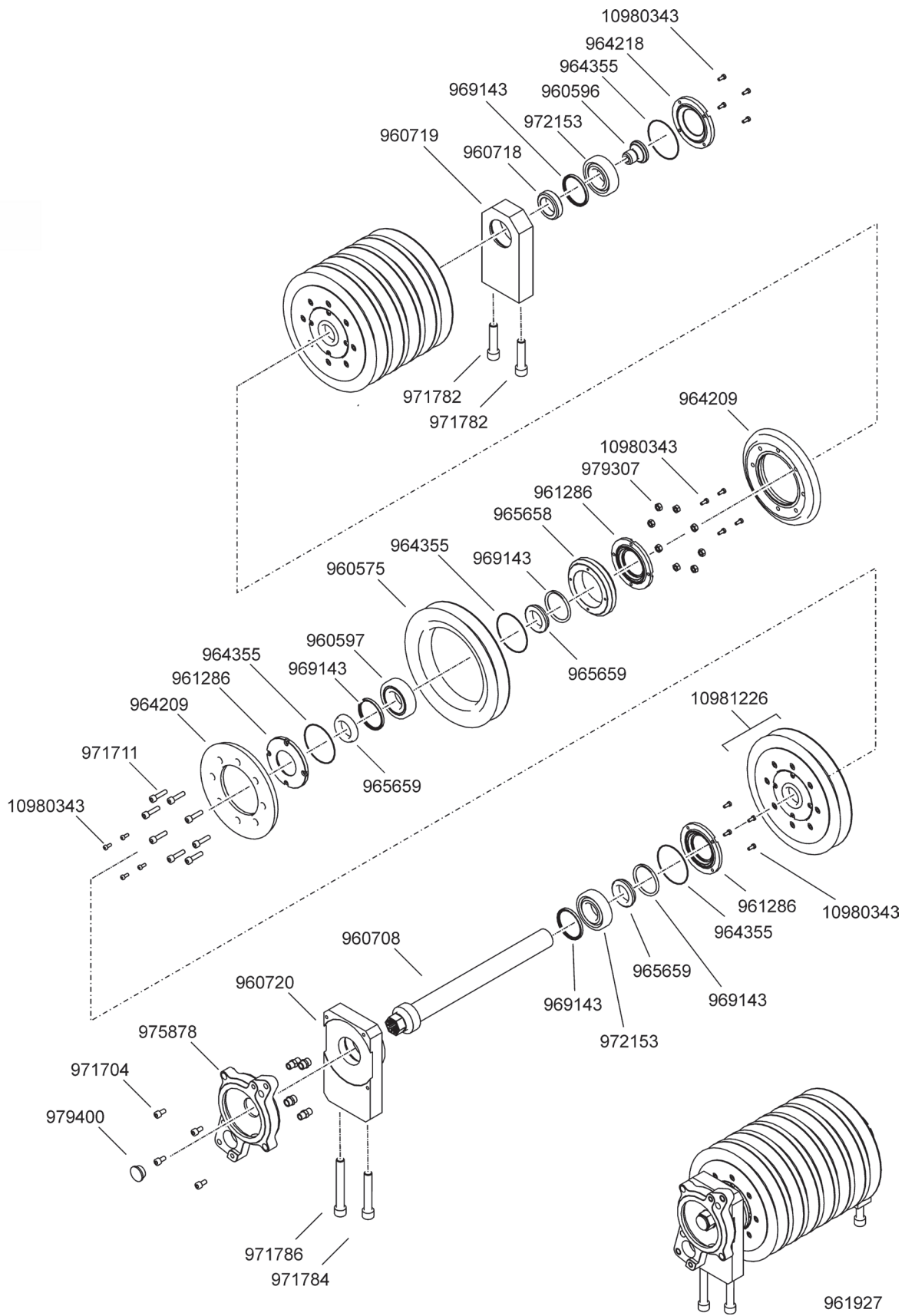


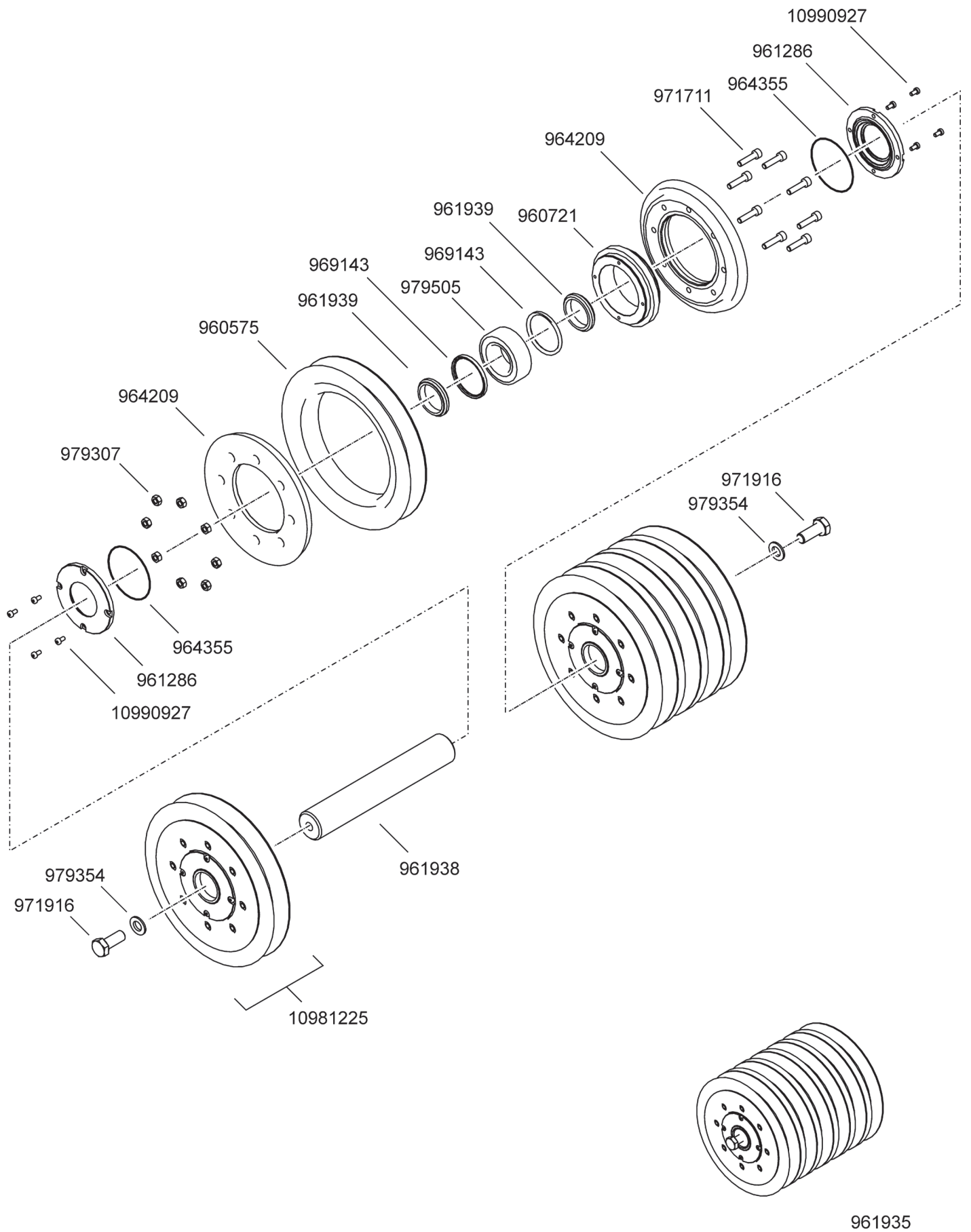


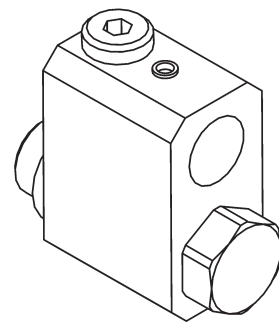
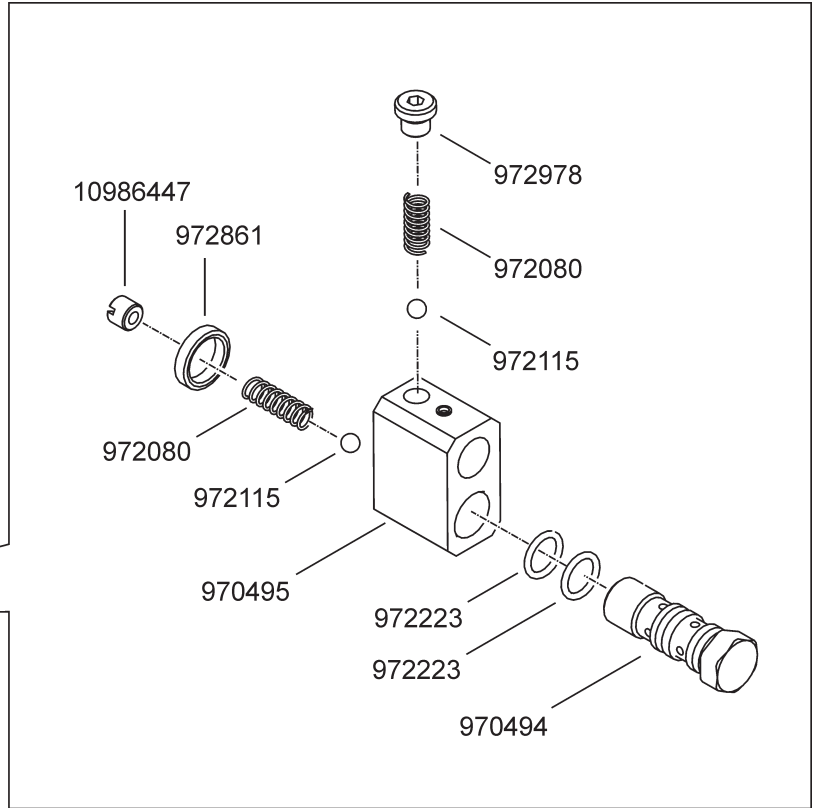
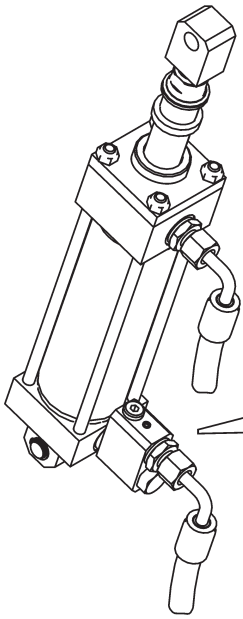










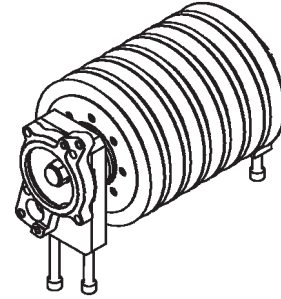


974219

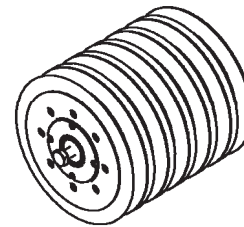
SB Chassis

961666	3403577	Ball valve f3/8" m3/8"	972853	3403524	Cutting ring pipe 08
961923	3404019	Compensator	972882	3404008	Straight fitting 3/8-08L
961924	3408076	Shaft	972928	3400382	Hydraulic tube dia 8x1
961925	3401248	Cylinder-head piece	972950	3404176	Red.insert pipe 12-08 L
961926	3401434	Clamping shackle	972980	3401413	Plug screw G3/8
961930	3408077	Lateral cover sheet left	972998	3400626	Elbow union 3/8NPT-12L
961931	3408078	Lateral cover sheet right	974830	3408071	Blind rivet dia4/L13.9
961932	3404174	Cowling rear	974924	3400487	Hose No. 010
961933	3408079	Center panel (cover)	975923	3408072	Serial plate large
961940	3400541	Spring plate	977114	3401088	Swivelling support
961941	3401254	Notch lever	977120	3401089	Ring
961943	3400553	Spacer	977204	3400684	Pneum. wheel 420/100/25
961944	3400556	Fixation bar	977954	3400576	Protection sleeve
961945	3402250	Spacer	977956	3401228	Sleeve
961954	3403413	Pulley cover	979299	3404156	All.screw extr.flhd M6x10
961979	3401297	Fastener	979309	3401921	Lock nut M12 thin head
962108	3401325	Water distribution	979337	3402151	Hex. screw M12x40
962503	3404178	Protective flap	979341	3408061	Hex. screw M12x100
962504	3408080	Clamping plate	979352	3401389	Washer M6 6.4/12/1.6
962967	3402187	Hinge	979353	3403022	Washer M8
964466	3408059	Sticker water tap	979354	3403010	Washer M12
971699	3403505	Socket screw M5x50	979703	3401031	Coupling 3/8"
971715	3400087	Socket screw M6x40	979707	3401032	Nipple 3/8"
971745	3400145	Socket screw M8x50	979716	3404311	Coupling 3/8A WR017 R
971781	3403836	Socket screw M12x45	10978838	3402228	PT-screw K40x16 lens A2
971784	3408070	Socket screw M12x70	10980611	3408081	Knurled screw M6x10
971786	3408060	Socket screw M12x90	10981225	3402174	Pulley, on Idle Stack
971834	3400189	All.screw extr.flhd M5x8	10981872	3402264	Hydraulic cylinder 2T MPI
971849	3402015	Hexagon nut M12	10984719	3404092	Bush
971868	4600275	Cap nut hex M12	10992397	3408009	Protection plate SB
971880	3404175	Pan head screw M5x12	10992398	3402227	Holding clamp
971914	3404012	Hex. screw M12x20	10995047	3404153	Frame SB
971922	3401165	Hex. screw M12x70	10996227	3408082	Cover cap dia 20.6
971924	3402143	Hex. screw M12x80	10996228	3408083	Cover cap dia 64.0
971925	3400918	Hex. screw M12x90			
971953	3403840	Washer M5			
971964	3403389	Washer M12 13/24/2.5			
971996	3400807	Circlip shaft dia 25			
972105	3400908	Crinkl. spring washer M5			
972187	3404341	Copper seal G3/8			
972795	3400427	Plug nipple 3/8 A 1-WR			
972843	3401174	Swivel nut 08 L			

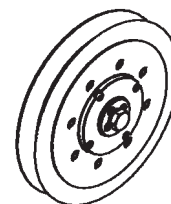
961927	3403015	Drive unit
960575	3408075	Standard Rubber Lining (Black)
11003932	3401819	Alternative Rubber Lining (Brown)
11005686	3401831	Alternative Rubber Lining (Grey)
960596	3401245	Screw
960597	3402056	Free-wheel CSK 30 w/o key
960708	3400322	Drive shaft
960718	3403267	Spacer ring
960719	3401396	End shield loose bearing
960720	3401244	End shield fixed bearing
961286	2702792	Cover rear
964209	3401059	Rim
964218	3402156	Cover front
964355	2702791	O-ring 62.00x1.50 N 70
965658	3402078	Roller bearing SK-B
965659	3401243	Sealing ring SK-B
969143	3401866	Sealing ring dia 45x52x4
971704	3402011	Socket screw M6x12
971711	3400865	Socket screw M6x25
972153	3403842	Gr. ball bear. 6206-2RS
975878	3402155	Flange FZ/RZ size 2+3
979307	3402059	Hexagon nut M6
979400	3403396	Sealing plug dia 25
10980343	3403508	Socket screw flhd M4x10



961935	3400344	Deflection pulley unit
960575	3408075	Standard Rubber Lining (Black)
11003932	3401819	Alternative Rubber Lining (Brown)
11005686	3401831	Alternative Rubber Lining (Grey)
960721	3401321	Bearing bush
961286	2702792	Cover rear
961938	3401388	Deflection pulley shaft
961939	3403028	Sealing ring
964209	3401059	Rim
964355	2702791	O-ring 62.00x1.50 N 70
969143	3401866	Sealing ring dia 45x52x4
971711	3400865	Socket screw M6x25
971916	3403479	Hex. screw M12x30
979307	3402059	Hexagon nut M6
979354	3403010	Washer M12
979505	3400507	Gr. ball bear. 3007-2RS
10990927	3403920	Socket screw flhd M4x8



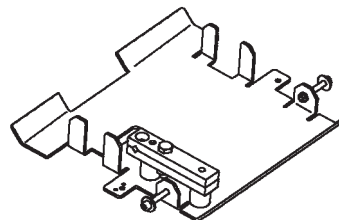
961902	3402126	Deflect.pulley 200 w/hole
960575	3408075	Standard Rubber Lining (Black)
11003932	3401819	Alternative Rubber Lining (Brown)
11005686	3401831	Alternative Rubber Lining (Grey)
961286	2702792	Cover rear
964209	3401059	Rim
964213	3401186	Bearing bush
964355	2702791	O-ring 62.00x1.50 N 70
965859	3401856	Bearing bolt
965860	3402158	Mounting flange
969143	3401866	Sealing ring dia 45x52x4
971697	3401859	Socket screw M5x40
971711	3400865	Socket screw M6x25
971849	3402015	Hexagon nut M12
971924	3402143	Hex. screw M12x80
972149	3402057	Gr. ball bearing 6007-2RS
979307	3402059	Hexagon nut M6
979354	3403010	Washer M12
10990927	3403920	Socket screw flhd M4x8



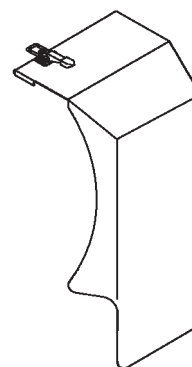
961901	3401208	Pulley dia 200
960575	3408075	Standard Rubber Lining (Black)
11003932	3401819	Alternative Rubber Lining (Brown)
11005686	3401831	Alternative Rubber Lining (Grey)
961286	2702792	Cover rear
964209	3401059	Rim
964210	3400856	Bolt
964213	3401186	Bearing bush
964218	3402156	Cover front
964355	2702791	O-ring 62.00x1.50 N 70
969143	3401866	Sealing ring dia 45x52x4
971711	3400865	Socket screw M6x25
971916	3403479	Hex. screw M12x30
971922	3401165	Hex. screw M12x70
972000	3400857	Circlip shaft dia 35
972149	3402057	Gr. ball bearing 6007-2RS
979307	3402059	Hexagon nut M6
979338	3403236	Hex. screw M12x55
10990927	3403920	Socket screw flhd M4x8



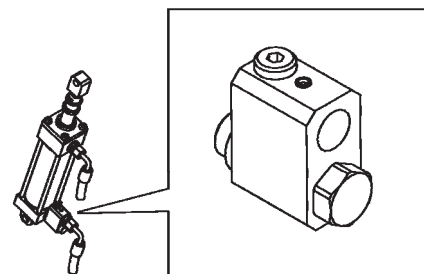
961928	3401485	Work Table
960738	3408066	Spacer
960740	3408067	Wire
961929	3408068	Pincer Plate
961947	3408069	Pr. Spring
971731	3402017	Socket Screw M8x16
971746	3408062	Socket screw M8x55
971825	3401900	Countersunk screw M8x16
971849	3402015	Hexagon nut M12
971861	3401956	Lock nut M8 thin head
971919	3402146	Hex. screw M12x50
979283	3401917	Socket screw M8x20
979357	3403173	Washer M8



10995050	3401486	Cover assy SB
962967	3402187	Hinge (straight joint)
971698	3403832	Socket screw M5x45
971803	3408063	Socket screw flhd M3x8
971952	3402590	Washer M4
971953	3403840	Washer M5
979299	3404156	All.screw extr.flhd M6x10
10980130	3408064	Hinge plate SB
10986214	3404154	Hexagon nut M6 x0.5D
10994733	3408065	Bump stop Ø15x15 M4
10995040	3408073	Cover SB
10995060	3404155	Clamping fixture
10995061	3408074	Machine damping device NR



974219	3401491	Holding valve BY/BC/SB
970494	3401132	Spec. holl. screw BC/BL-S
970495	3401134	Valve body BC/BL-S/AL
972080	3401135	Pr. spring 6.3/0.8x23
972115	3401136	Ball dia 6.35 (1/4")
972223	3401137	O-ring 12.00x2.50 N 70
972861	3401138	Edge sealing ring G3/8
972978	3401139	Plug screw G1/8
10986447	3401133	Nozzle R1/8 VMH



EQUIPMENT AND PARTS WARRANTY

Diamond Products warrants all equipment manufactured by it against defects in workmanship or materials for a period of 1 year from the date of shipment to Customer. The responsibility of Diamond Products under this Warranty is limited to replacement or repair of defective parts at Diamond Products' Elyria, Ohio factory, or at a point designated by it, of such parts as shall appear to us upon inspection at such parts, to have been defective in material or workmanship, with expense for transportation and labor borne by Customer. In no event shall Diamond Products be liable for consequential or incidental damages arising out of the failure of any Product to operate properly.

THIS WARRANTY IS IN LIEU OF ALL OTHER WARRANTIES, EXPRESSED OR IMPLIED, AND ALL SUCH OTHER WARRANTIES ARE HEREBY DISCLAIMED.



333 Prospect Street, Elyria, Ohio 44035
(440) 323-4616 • (800) 321-5336 • Fax (800) 634-4035
www.diamondproducts.com