



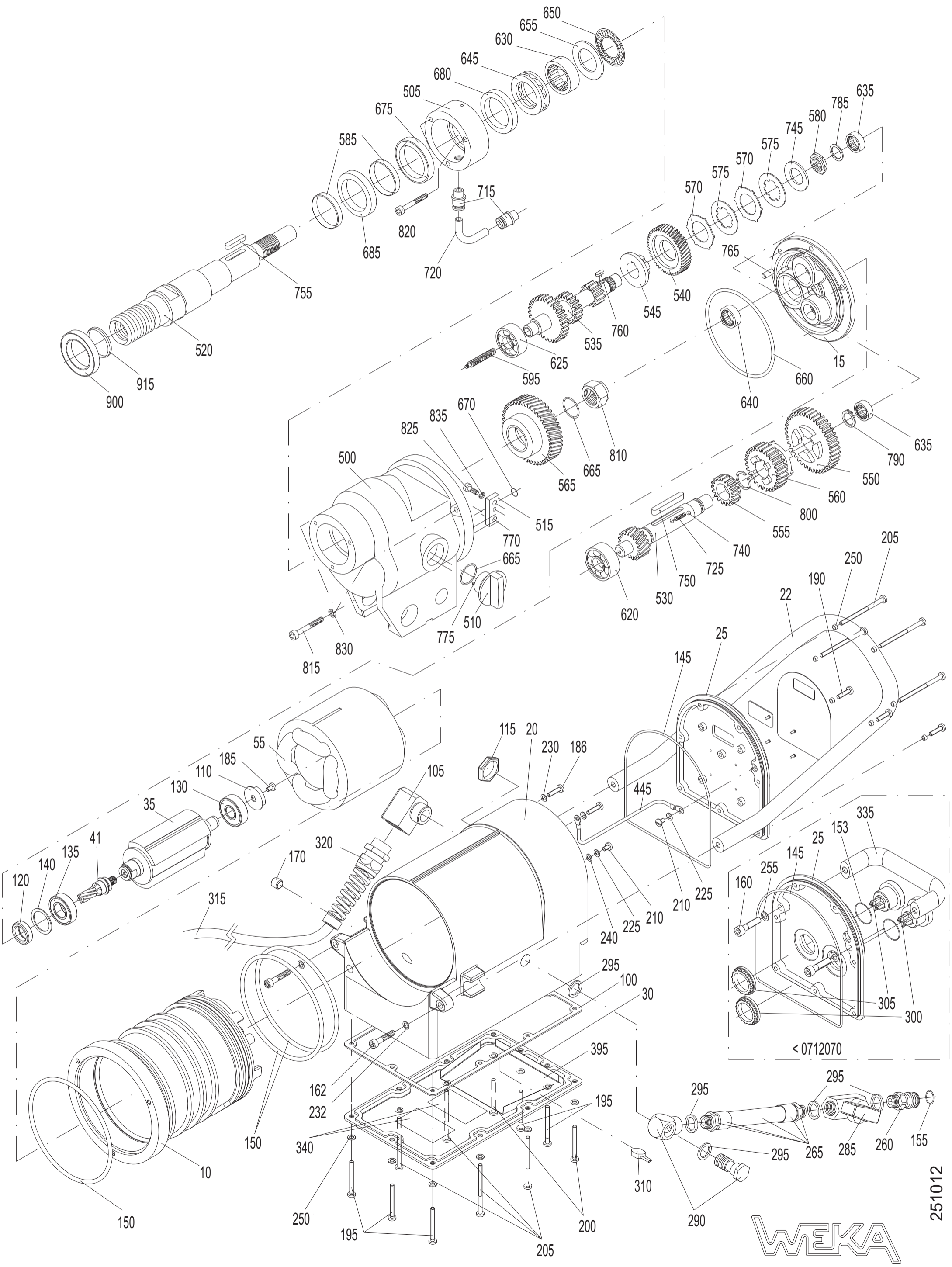
**DIAMOND**  
**PRODUCTS**  
**WEKA PARTS LIST**

**MODEL:**

**SR38**

**FEB 2016**

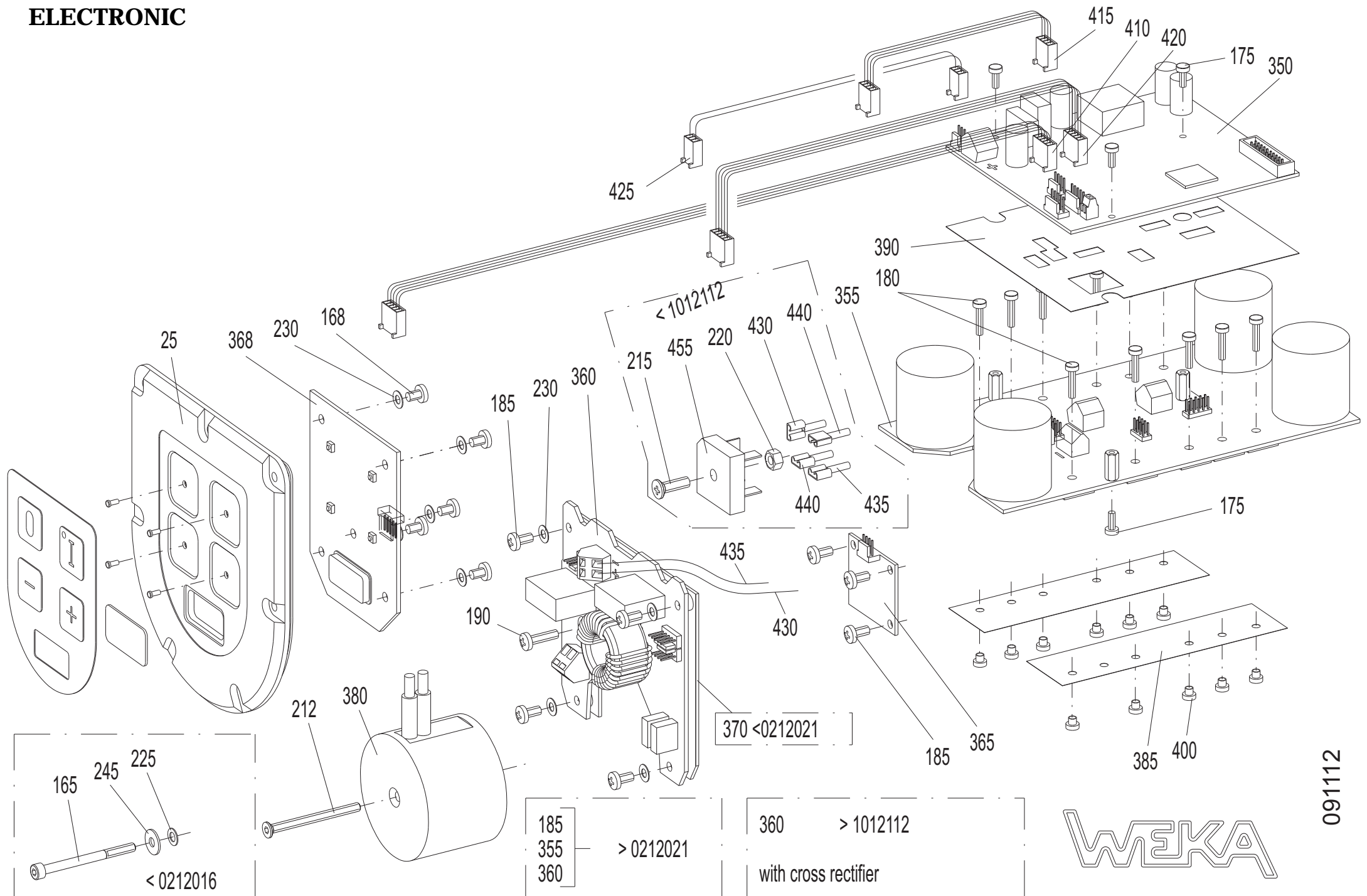
**WEKA SR38  
DIAMOND CORE DRILL**



< 0712070



# ELECTRONIC



WEKA

091112

FIG	NO	DESCRIPTION	DP PART#
10	1	Motorcase	2702552
15	1	Intermediate Flange	2702553
20	1	Case Sleeve	2708313
22	1	Carrying Holder	2708314
25	1	Switch Cover cpl. W- keypad	2707676
30	1	Terminal Case Cover	2708315
35	1	Rotor compl.	2702557
41	1*	Rotor pinion	2708316
55	1	Stator compl.	2708317
100	1	Terminal Case Sealing	2702559
105	1	Cable AngleM20x1,5	2701071
110	1	Sensor-Disc	2702560
115	1	Hexagon NutM20x1,5	2701074
120	1	Rotary Shaft Seal14x24x7	2702561
130	1	Ball Bearing6201 2Z	2700846
135	1	Ball Bearing6002 2RS	2702562
140	1	Compensation Washer	2700848
145	1	O-RingRDR 135x2	2701046
150	3	O-RingRDR 110x4	2702563
153	2*	O-RingRDR 20x1,5	2702504
155	1	O-RingRDR 11x2,5	2700712
160	2*	Hex. Socket Head ScrewM6x20	2701049
162	2	Hex. Socket Head ScrewM6x25	2702564
165	1*	Hex. Socket Head ScrewM4x55	2702565
168	5	Cheese head screwM4x6	2708318
170	1	Locking ScrewR1/8"	2708319
175	6	Cheese head screwM3x8	2702371
180	10	Cheese head screwM3x14	2702567
185	4	Cheese head screwM4x8	2702568
186	4	Cheese head screwM4x14	2706659
190	5	Cheese head screwM4x16	2702570
195	5	Cheese head screwM4x40	2702571
200	2	Cheese head screwM4x45	2702572
205	8	Cheese head screwM4x60	2702573
210	1	Slot. Pan Head ScrewM4x6	2700674
212	1	Slot. Count. Head ScrewM5x50	2708320
215	1	Slot. Count. Head ScrewM5x16	2702242
220	1	Hexagon NutM5	2700858

225	2	Curved Spring WasherA4	2700680
230	2	Locking WasherSM4	2702575
232	2	Locking WasherSM6	2700826
240	1	Medium Washer4,3x8 Ms	2700681
245	1	Medium Washer4,3x12	2702576
250	18	Sealing WasherM4	2702577
255	2*	Sealing Ring6x1	2708321
260	1	Quick Connect Nipple	2700706
265	1	Hose Piece cpl. w. nipples	2701939
285	1	Ball Valve	2700715
290	1	Angle ScrewingG1/4"	2701094
295	5	Sealing RingG1/4"	2700717
300	1*	On-Button	2702579
305	1*	Off-Button	2702580
310	1	Thermal Switch	2702581
315	1	CordG1,5X4m	2708322
320	1	Cord Gland M20x1,5	2701451
335	1*	Carrying Handle	2708323
340	1	Dessicant sackglued	2708324
350	1	Control Board	2707996
355	1	Power Bd cpl. W- Thermo Film	2707993
360	1	Power Supply Board	2707994
365	1	Sensor Board	2702606
368	1	I/O Board	2707990
	1*	I/O Board	2707995
370	1*	Cooling Plate	2708325
380	1	PFC-Reactor	2708326
385	2	Thermo Film	2702608
390	1	Insulation Film	2708233
395	1	Lid Insulation	2708327
400	10	Insulation Bush	2702609
410	1	Strand Kit - I/O-Board	2708328
	1*	Strand Kit - ON-OFF Button2x2 green/red	2702610
415	1	Strand Kit - Sensor4 green	2702611
420	1	Strand Kit - DC/ON/OFF/UD5 red	2702612
425	1	Strand Kit - PB/Col Board2 orange	2702613
430	1	Strand - Cross Rectifier -CB + 2,5 <sup>2</sup> x120 red	2708329
	1*	Strand - Cross Rectifier + 2,5 <sup>2</sup> x75 red	2707976
435	1	Strand - Cross Rectifier -PB -2,5 <sup>2</sup> x90 black	2708330

	1*	Strand - Cross Rectifier - 2,5 <sup>2</sup> x75 black	2708331
440	2*	Strand - Cross Rectifier ~1 2,5 <sup>2</sup> x125 blue	2708332
445	1	PE Strand1x5x110 gn/ye	2708333
455	1*	Cross Rectifier	2708334
500	1	Gear Box	2708335
505	1	Water Supply Bush	2708336
510	1	Gear Change Grip	2700872
515	1	Gear Change Lever	2701925
520	1	Spindle cpl. W- fig. 585, 1 1/4"	2702583
530	1	Gear Change Shaft	2701927
535	1	Pinion Shaft	2708312
540	1	Spur Wheel	2702585
545	1	Bearing Bush	2702586
550	1	Gear Wheel 1	2701930
555	1	Gear Wheel 3	2701931
560	1	Slide Gear Wheel	2701932
565	1	Spindle Wheel	2702587
570	2	Brake Disk	2702588
575	2	Pressure Disk	2702589
580	1	Hexagon Nut	2708337
585	2	Shaft Wearing Sleeve	2701064
595	1	Feed Worm	2705979
620	1	Ball Bearing6302	2700791
625	1	Ball Bearing6201	2700792
630	1	Needle BearingNK3/020	2700793
635	2	Needle BushHK1412	2700794
640	1	Needle BushHK2016	2700795
645	1	Thrust Ball Bearing	2700796
650	1	Thrust Needle BearingAXK3047	2700797
655	1	Thrust Bearing Washer AS3047	2700798
660	1	O-RingRDR102x3	2700799
665	2	O-RingRDR20x3	2700711
670	1	O-RingRDR9x3	2708338
675	1	Rotary Shaft Seal40x52x7	2700802
680	1	Rotary Shaft Seal38x50x7	2700803
685	1	Rotary Shaft Seal40x52x7S	2700804
715	2	Quick Connect NippleG1/4"/8	2702594
720	1	Junction Hose5/8x110	2702595
725	1	Pressure Spring	2700810

740	2	Ball4	2700720
745	1	Disk Spring31,5x16,3x2	2702596
750	1	Parallel KeyA6x6x45	2700813
755	1	Parallel KeyA5x5x25	2702597
760	1	Parallel KeyA4x4x10	2700815
765	1	Parallel Pin6m6x10	2700816
770	1	Parallel Pin5m6x15	2701065
775	1	Parallel Pin3m6x16	2700723
785	1	Shim RingPS14x20x1	2700819
790	1	Retaining Ring16x1	2700820
800	1	Retaining Ring SW20	2700821
810	1	Hexagon NutM22x1,5	2702601
815	3	Hex. Soc. Head ScrewM6x35	2700852
820	3	Hex. Soc. Head ScrewM5x45	2700825
825	1	Hex. Soc. Head ScrewM5x12	2700733
830	3	Locking WasherSM6	2700826
835	1	Locking WasherSM5	2700735
N/S	1	Gear Oil300ml	2708339
900	1	Antifriction Element	2705402
915	2	O-Ring32x1,5	2701866

## EQUIPMENT AND PARTS WARRANTY

Diamond Products warrants all equipment manufactured by it against defects in workmanship or materials for a period of one (1) year from the date of shipment to Customer.

The responsibility of Diamond Products under this Warranty is limited to replacement or repair of defective parts at Diamond Products' Elyria, Ohio factory, or at a point designated by it, of such parts as shall appear to us upon inspection at such parts, to have been defective in material or workmanship, with expense for transportation and labor borne by Customer.

In no event shall Diamond Products be liable for consequential or incidental damages arising out of the failure of any Product to operate properly.

Integral units such as engines, electric motors, batteries, transmissions, etc., are excluded from this Warranty and are subject to the prime manufacturer's warranty.

**THIS WARRANTY IS IN LIEU OF ALL OTHER WARRANTIES, EXPRESSED OR IMPLIED, AND ALL SUCH OTHER WARRANTIES ARE HEREBY DISCLAIMED.**



333 Prospect Street, Elyria, Ohio 44035  
(440) 323-4616 • (800) 321-5336 • Fax (440) 323-8689  
[www.diamondproducts.com](http://www.diamondproducts.com)