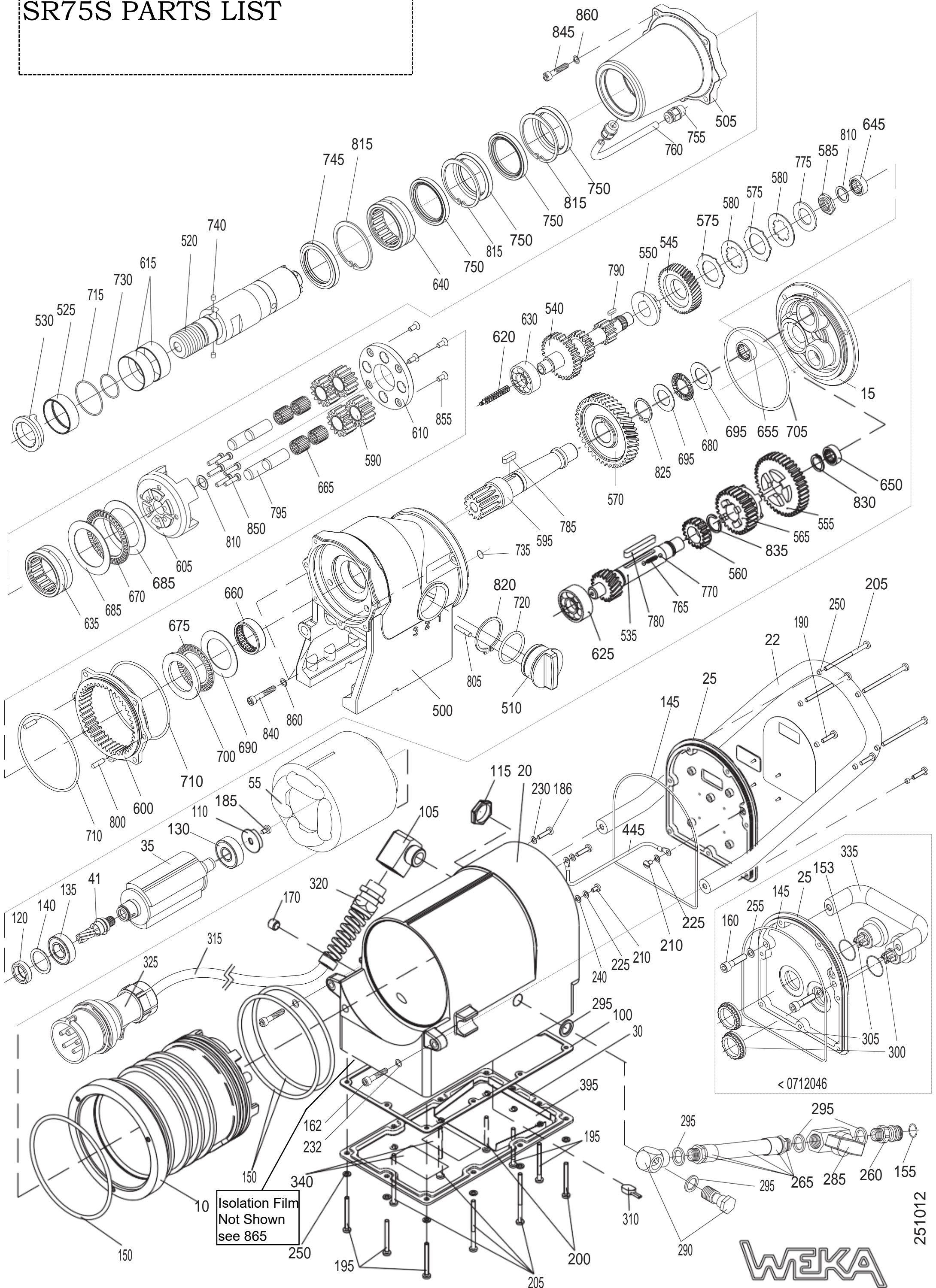




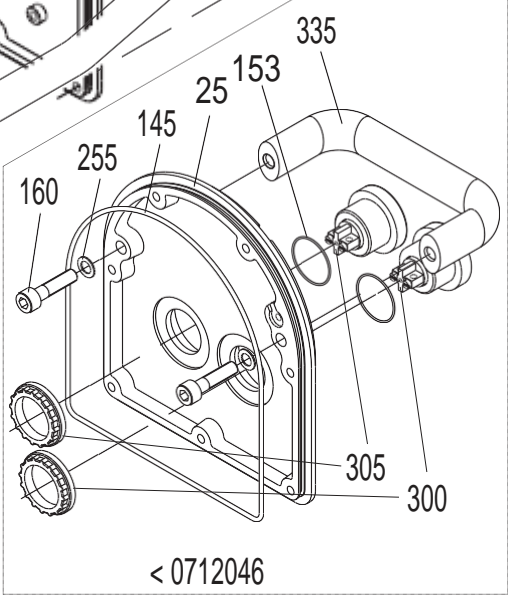
**CORE CUT
PARTS LIST**

**SR75S
WEKA DRILL MOTOR**

SR75S PARTS LIST



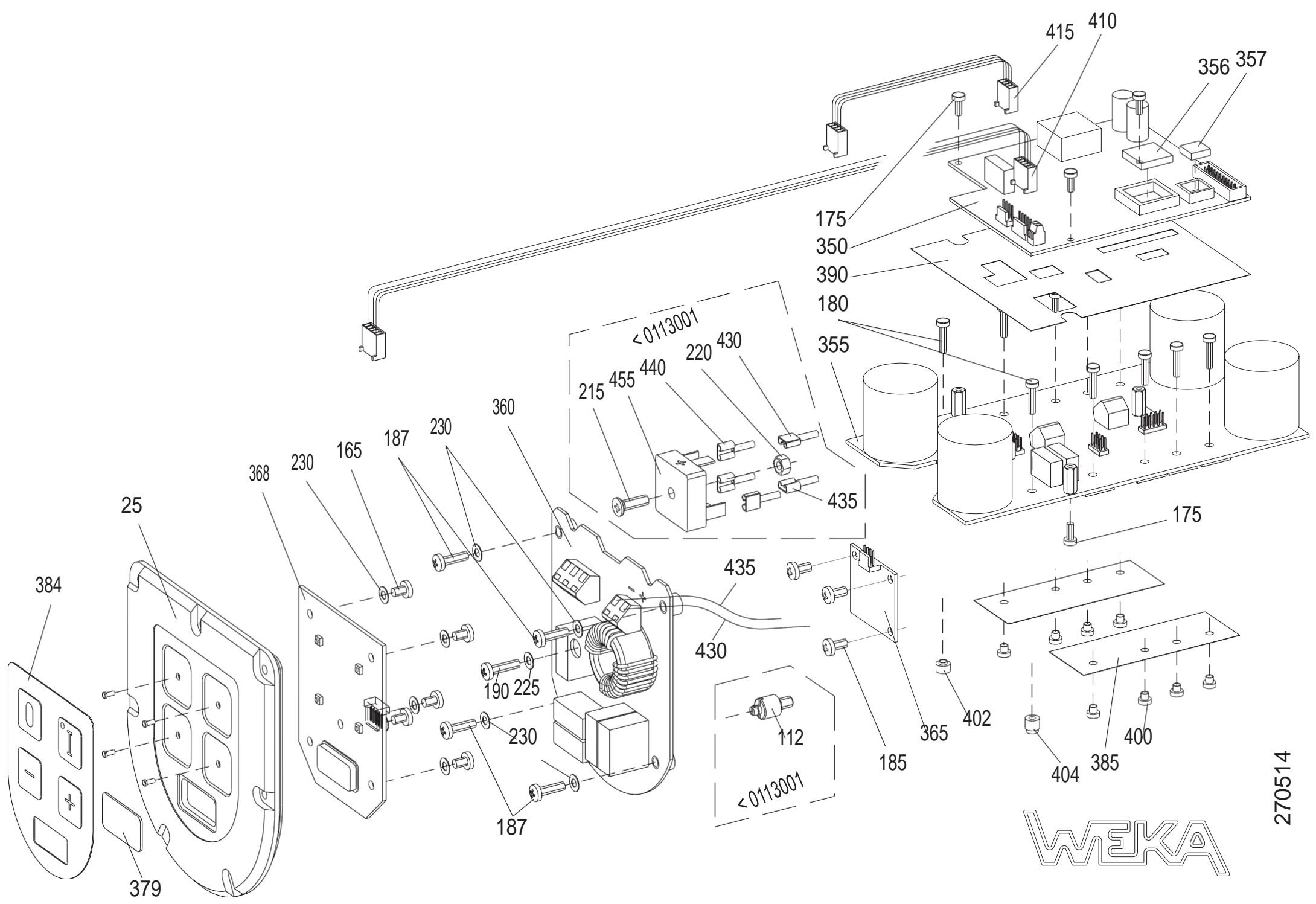
Isolation Film
Not Shown
see 865



< 0712046



251012



WEKA

270514

SR75S PARTS LIST

Fig	DP Part	Req	DESCRIPTION
10	2702552	1	Motorcase
15	2708553	1	Intermediate Flange cpl. with O-Ring
20	2708313	1	Case Sleeve
22	2708314	1	Carrying Holder
25	2707676	1	Switch Cover cpl. with keypad
30	2708315	1	Terminal Case Cover cpl.
35	2708554	1	Rotor compl.
41	2708555	1	Rotor pinion
55	2708317	1	Stator compl.
100	2702559	1	Terminal Case Sealing
105	2701071	1	Cable Angle M20x1,5
110	2702560	1	Sensor-Disc
112	2708556	1	Spacer
115	2701074	1	Hexagon Nut M20x1,5
120	2702561	1	Rotary Shaft Seal 14x24x7
130	2700846	1	Ball Bearing 6201 2Z
135	2702562	1	Ball Bearing 6002 2RS
140	2700848	1	Compensation Washer
145	2701046	1	O-Ring RDR135x2
150	2702563	3	O-Ring RDR110x4
153	2702504	2	O-Ring RDR20x1,5
155	2700712	1	O-Ring RDR11x2,5
160	2701049	2	Hex. Socket Head Screw M6x20
162	2702564	2	Hex. Socket Head Screw M6x25
170	2708319	1	Locking Screw R1/8"
175	2702371	6	Cheese head screw M3x8
180	2702567	10	Cheese head screw M3x14
185	2702568	4	Cheese head screw M4x8
186	2701388	2	Cheese head screw M4x12
187	2706659	4	Cheese head screw M4x14
190	2702570	6	Cheese head screw M4x16
195	2702571	5	Cheese head screw M4x40
200	2702572	2	Cheese head screw M4x45
205	2702573	8	Cheese head screw M4x60
210	2700674	1	Slot. Pan Head Screw M4x6
215	2702242	1	Slot. Count. Head Screw M5x16

SR75S PARTS LIST

220	2700858	1	Hexagon Nut M5
225	2700680	3	Curved Spring Washer A4
230	2702575	6	Locking Washer SM4
232	2700826	2	Locking Washer SM6
240	2700681	1	Medium Washer 4,3x8 Ms
247	2705399	1	Retaining Ring 15x1
250	2702577	18	Sealing Washer M4
255	2708321	2	Sealing Ring 6x1
260	2700706	1	Quick Connect Nipple
265	2701939	1	Hose Piece cpl. w. nipples
285	2700715	1	Ball Valve
290	2701094	1	Angle Screwing G1/4"
295	2700717	5	Sealing Ring G1/4"
300	2702579	1	On-Button
305	2702580	1	Off-Button
310	2702581	1	Thermal Switch
315	2701042	1	Cord
320	2701451	1	Cord Gland M20x1,5
325	N/A	1	Mains Plug
335	2708323	1	Carrying Handle
340	2708324	2	Desiccation Bag glued
350	2705736	1	Control Board
355	2707902	1	Power Board cpl. with Thermo Film
356	2708557	1	Microcontroller
357	2708558	1	GAL
360	2707904	1	Power Supply Board
365	2702606	1	Sensor Board
368	2707990	1	I/O - Board
379	2708559	1	Display Cover
384	2708560	1	Keypad
385	2705746	2	Thermo Film
390	2708233	1	Insulation Film
395	2708327	1	Lid Insulation
400	2702609	8	Insulation Bush
402	2708561	1	Distance Bush
404	2708562	1	Distance Bush
410	2708594	1	Strand Kit - I/O Board

SR75S PARTS LIST

415	2702611	1	Strand Kit - Sensor 4 green
430	2708595	1	Strand PS-PB+ 2,52x105 red
435	2708596	1	Strand PS-PB- 2,5x85 black
440	2708332	3	Strand - Cross Rectifier -1 2,52x125 blue
445	2708333	1	PE Strand gn/ye
455	2707975	1	Cross Rectifier
500	2708563	1	Gear Box
505	2708564	1	Bearing Case
510	2708453	1	Gear Change Grip with Pin and O-Ring
520	2708406	1	Drill Spindle cpl. with fig. 615, 1 1/4" UNC
525	2708341	1	Sleeve
530	2708340	1	Pressure Ring
535	2708565	1	Gear Change Shaft Type S
540	2708312	1	Pinion Shaft
545	2702585	1	Spur Wheel
550	2702586	1	Bearing Bush
555	2701930	1	Gear Wheel 1
560	2701931	1	Gear Wheel 3
565	2701932	1	Slide Gear Wheel
570	2708566	1	Spindle Wheel Type S
575	2702588	2	Brake Disk
580	2702589	2	Pressure Disk
585	2708337	1	Hexagon Nut
590	2708567	4	Planet Wheel
595	2708568	1	Sun Shaft
600	2708569	1	Hollow Wheel
605	2708570	1	Planet-Wheel Carrier cpl. w. pins
610	2708571	1	Carrier Disk
615	2708572	2	Shaft Wearing Sleeve
620	2706123	1	Feed Worm
625	2700791	1	Ball Bearing 6302
630	2708597	1	Ball Bearing 6201Z
	2700792	1*	Ball Bearing 6201
635	2708573	1	Needle Bearing NKS43
640	2708574	1	Needle Bearing NKS45
645	2701370	1	Needle Bearing
650	2700794	1	Needle Bush HK1412

SR75S PARTS LIST

655	2700795	1	Needle Bush HK2016
660	2708575	1	Needle Bush HK3512
665	2708576	4	Needle Cage K14x18x17
670	2708577	1	Thrust Needle Bearing AXK5070
675	2708578	1	Thrust Needle Bearing AXK4060
680	2702481	1	Thrust Needle Bearing AXK2035
685	2708579	2	Thrust Bearing Washer AS5070
690	2708580	1	Thrust Bearing Washer AS4060
695	2702482	2	Thrust Bearing Washer AS2035
700	2708581	1	Washer disc LS4060
705	2700799	1	O-Ring RDR102x3
710	2702497	2	O-Ring RDR96x3
715	2708582	1	O-Ring RDR42x1,5
720	2708583	1	O-Ring RDR36x3
730	2700850	1	O-Ring RDR28x1,5
735	2708338	1	O-Ring RDR9x3
740	2708584	2	Damper D5x5
745	2708435	1	Rotary Shaft Seal AS45x60x7
750	2708436	4	Rotary Shaft Seal A45x60x7
755	2702594	2	Quick Connect Nipple G1/4"/8
760	2702595	1	Junction Hose 5/8x110
765	2700810	1	Pressure Spring
770	2700720	2	Ball RB4
775	2702596	1	Disk Spring 31,5x16,3x2
780	2700813	1	Parallel Key A6x6x45
785	2708585	1	Parallel Key A6x6x20
790	2700815	1	Parallel Key A4x4x10
795	2708586	4	Parallel Pin 14m6x36
800	2708587	2	Parallel Pin 6m6x20
805	2708588	1	Parallel Pin 5m6x25
810	2700819	2	Shim Ring PS14x20x1
	2708589	1*	Shim Ring after Serialno.: 0313030 14x35x1
815	2708590	3	Retaining Ring J60x2,0
820	2708591	1	Retaining Ring 42x1,75
825	2708592	1	Retaining Ring 26x1,2
830	2700820	1	Retaining Ring 16x1
835	2700821	1	Retaining Ring SW20

SR75S PARTS LIST

840	2700852	3	Hex. Soc. Head Screw M6x35
850	2702535	6	Hex. Soc. Head Screw M5x20
855	2702528	4	Hex. Sock. Count. Head Screw M5x12
860	2700826	10	Locking Washer SM6
865	2709674	1	Isolation Film
N/A	N/A	1	Gear Oil 500ml
905	2708593	1	O-Ring 33x1,5
	2704103	1	36mm Spanner Wrench

EQUIPMENT AND PARTS WARRANTY

Diamond Products warrants all equipment manufactured by it against defects in workmanship or materials for a period of one (1) year from the date of shipment to Customer.

The responsibility of Diamond Products under this Warranty is limited to replacement or repair of defective parts at Diamond Products' Elyria, Ohio factory, or at a point designated by it, of such parts as shall appear to us upon inspection at such parts, to have been defective in material or workmanship, with expense for transportation and labor borne by Customer.

In no event shall Diamond Products be liable for consequential or incidental damages arising out of the failure of any Product to operate properly.

Integral units such as engines, electric motors, batteries, transmissions, etc., are excluded from this Warranty and are subject to the prime manufacturer's warranty.

THIS WARRANTY IS IN LIEU OF ALL OTHER WARRANTIES, EXPRESSED OR IMPLIED, AND ALL SUCH OTHER WARRANTIES ARE HEREBY DISCLAIMED.



333 Prospect Street, Elyria, Ohio 44035
(440) 323-4616 • (800) 321-5336 • Fax (800) 634-4035

www.diamondproducts.com