



**HYDROSTRESS  
PARTS LIST**

**WCU14 WCE17 WCH17  
WIRE SAW**

**APRIL, 2024**



## **Table of Contents**

### **Chassis**

Overview.....	5-7
Chassis.....	8
Exit Swivel Pulley.....	10
Entry Swivel Pulley .....	12
Pulleys.....	14
Water Distributor.....	16
Drive Unit.....	18
Top Pulley.....	20
Feed Unit.....	22
Feed Gear .....	24
Deflect Pulley.....	26
Hood.....	28
Draw Roll .....	30
Wire Protector.....	32

### **WSE1217**

WSE1217 Feed Motor .....	34
Mounting.....	36

### **WSE1621**

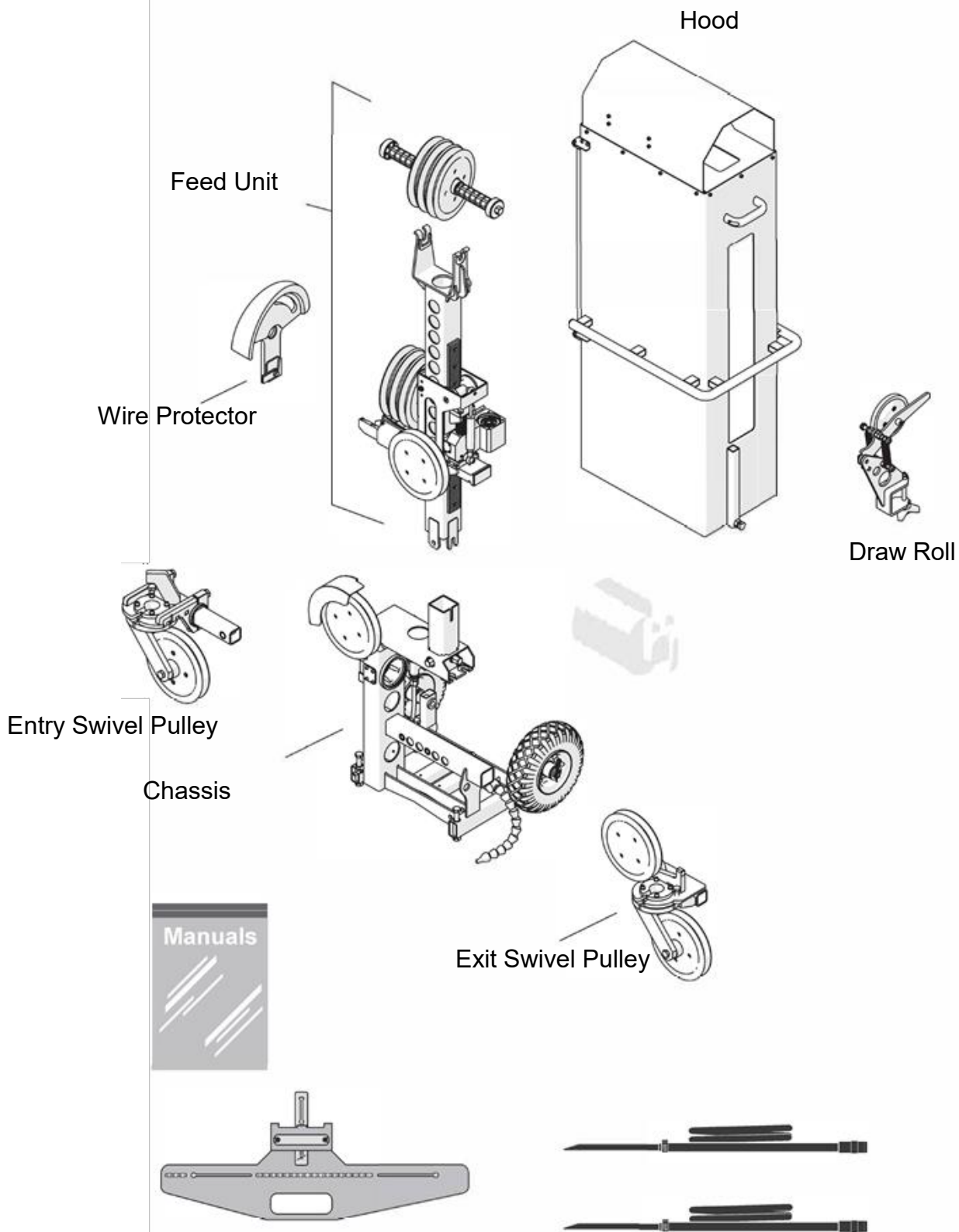
WSE1621 Feed Motor .....	38
WSE1621 Gearbox.....	40
Mounting.....	42

### **Hydraulic**

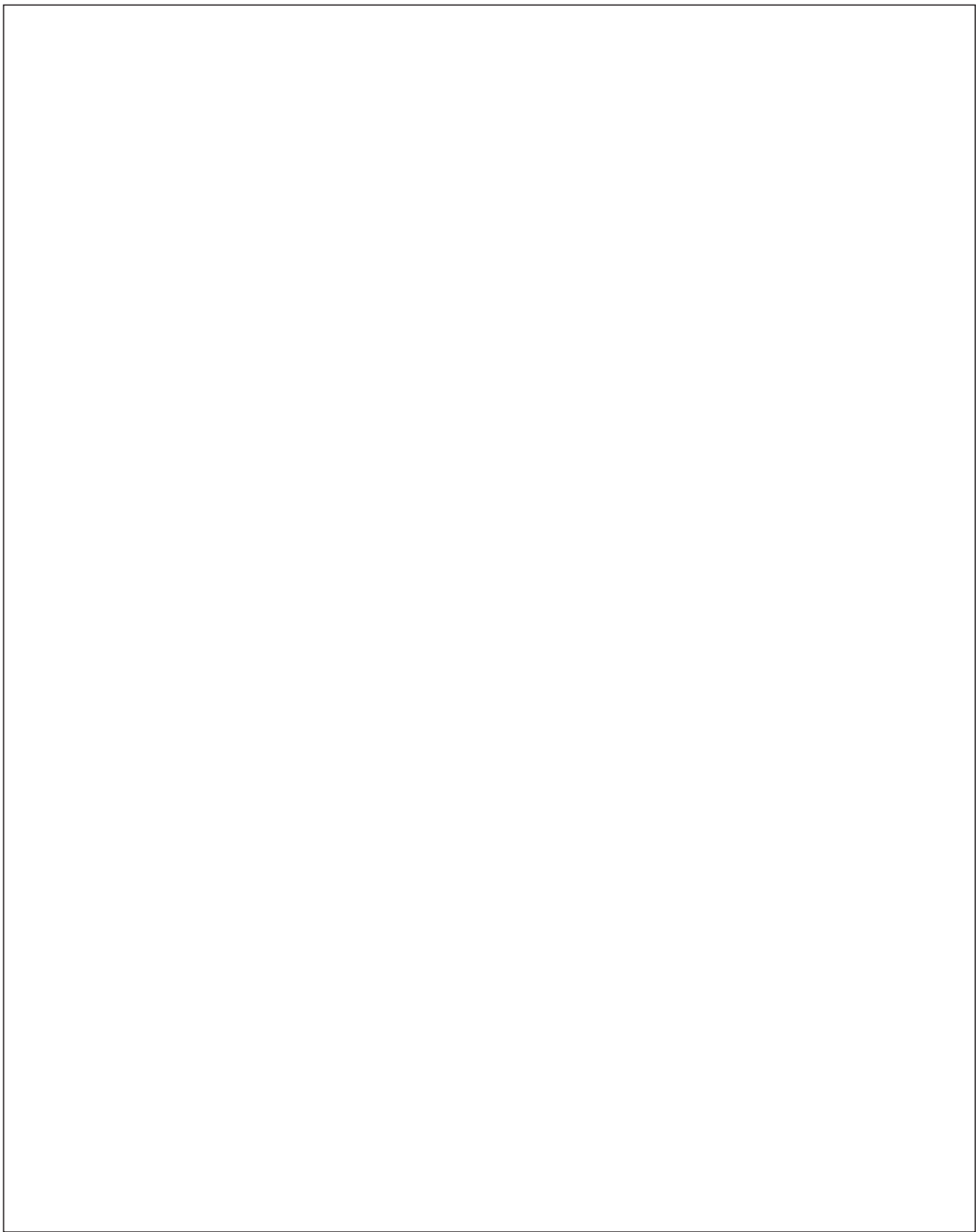
Hydraulic Motor Mounting Plate .....	44
Hydraulic Feed Motor.....	46
Mounting.....	48



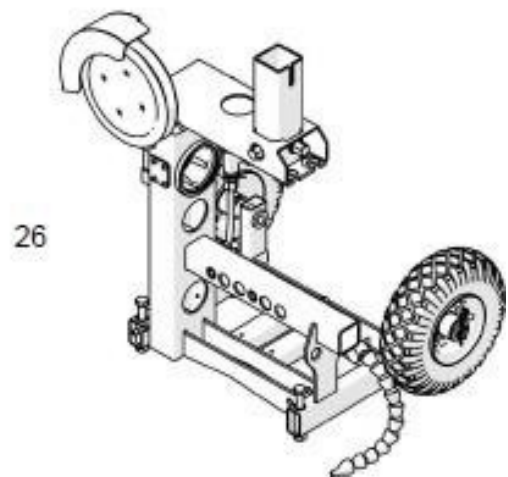
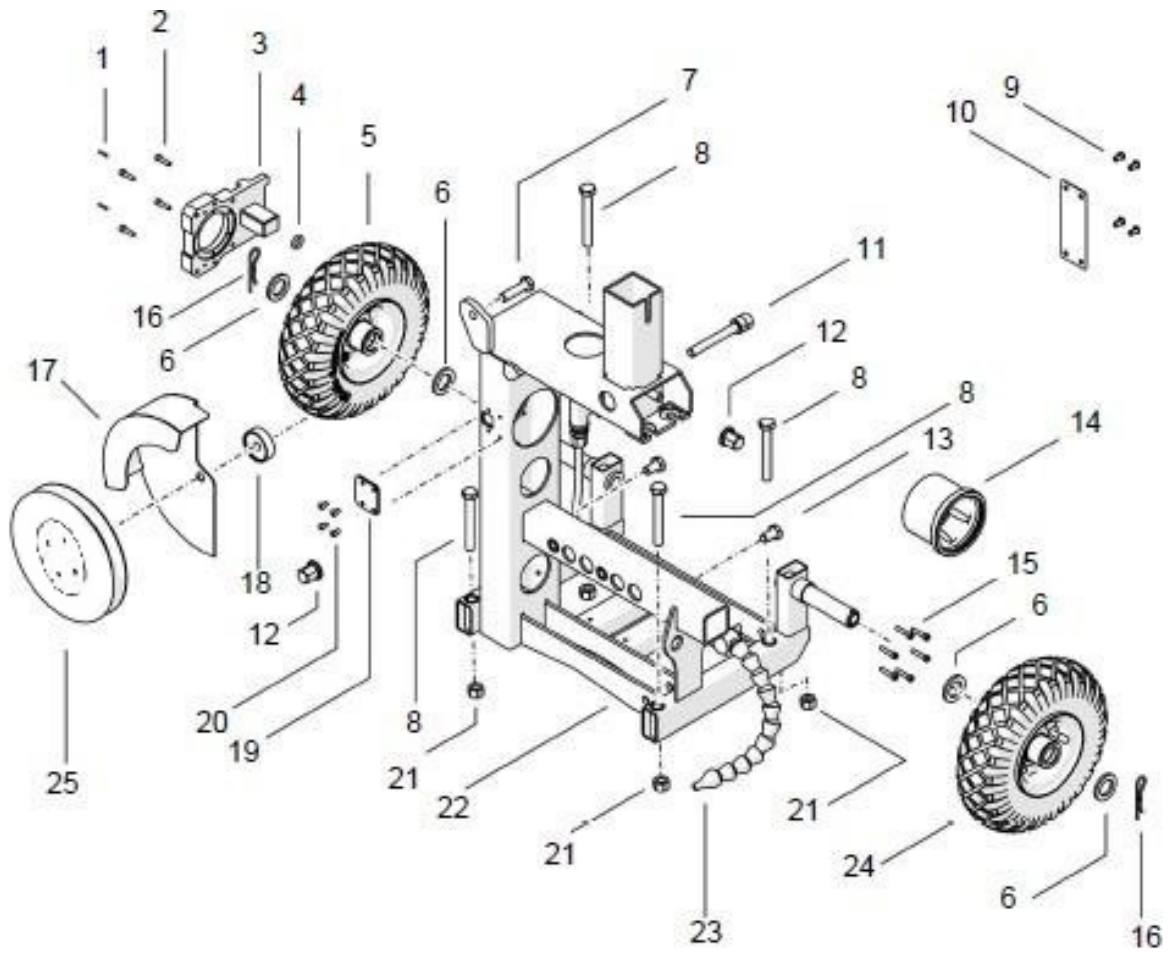
**Overview**







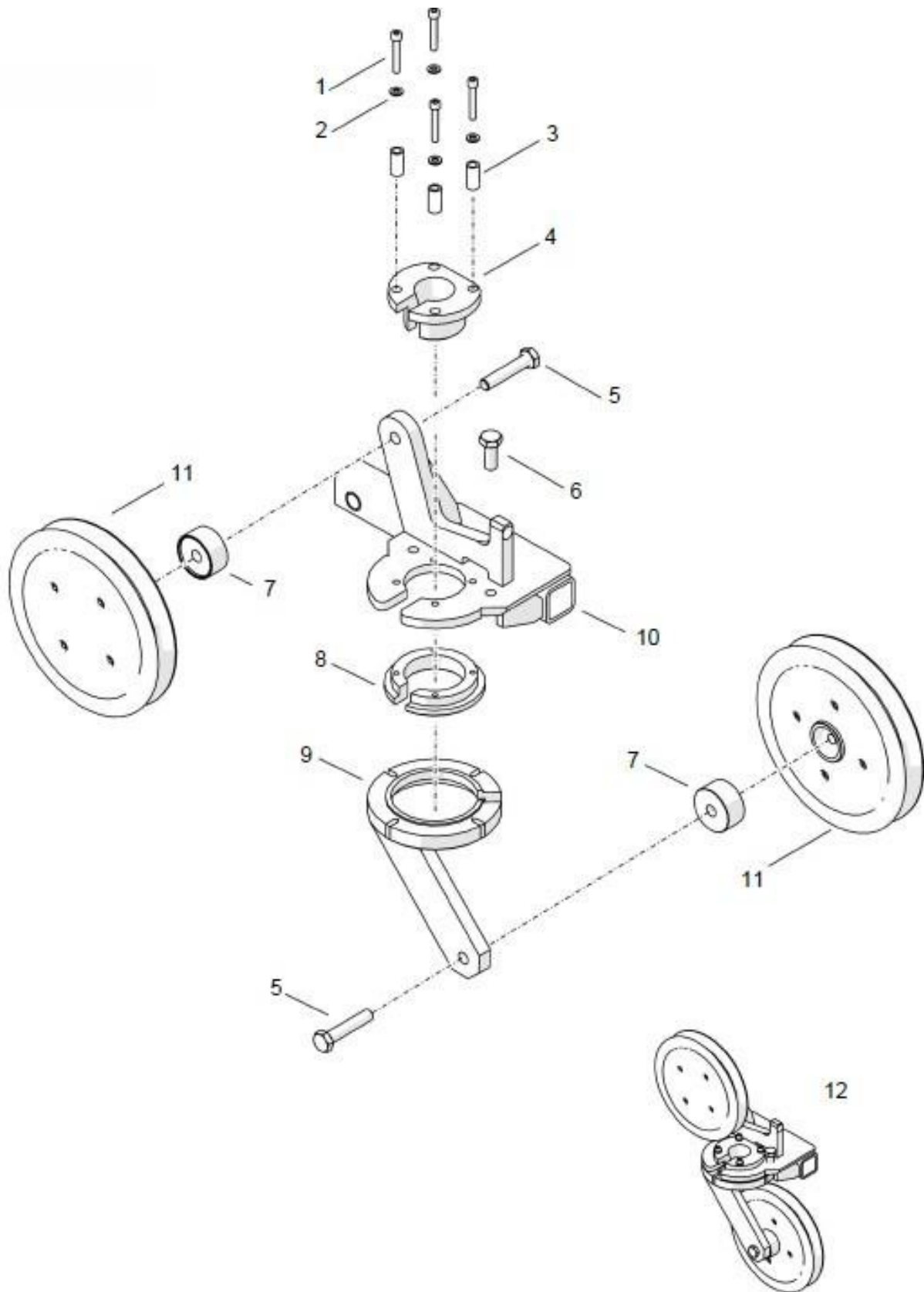
## Chassis





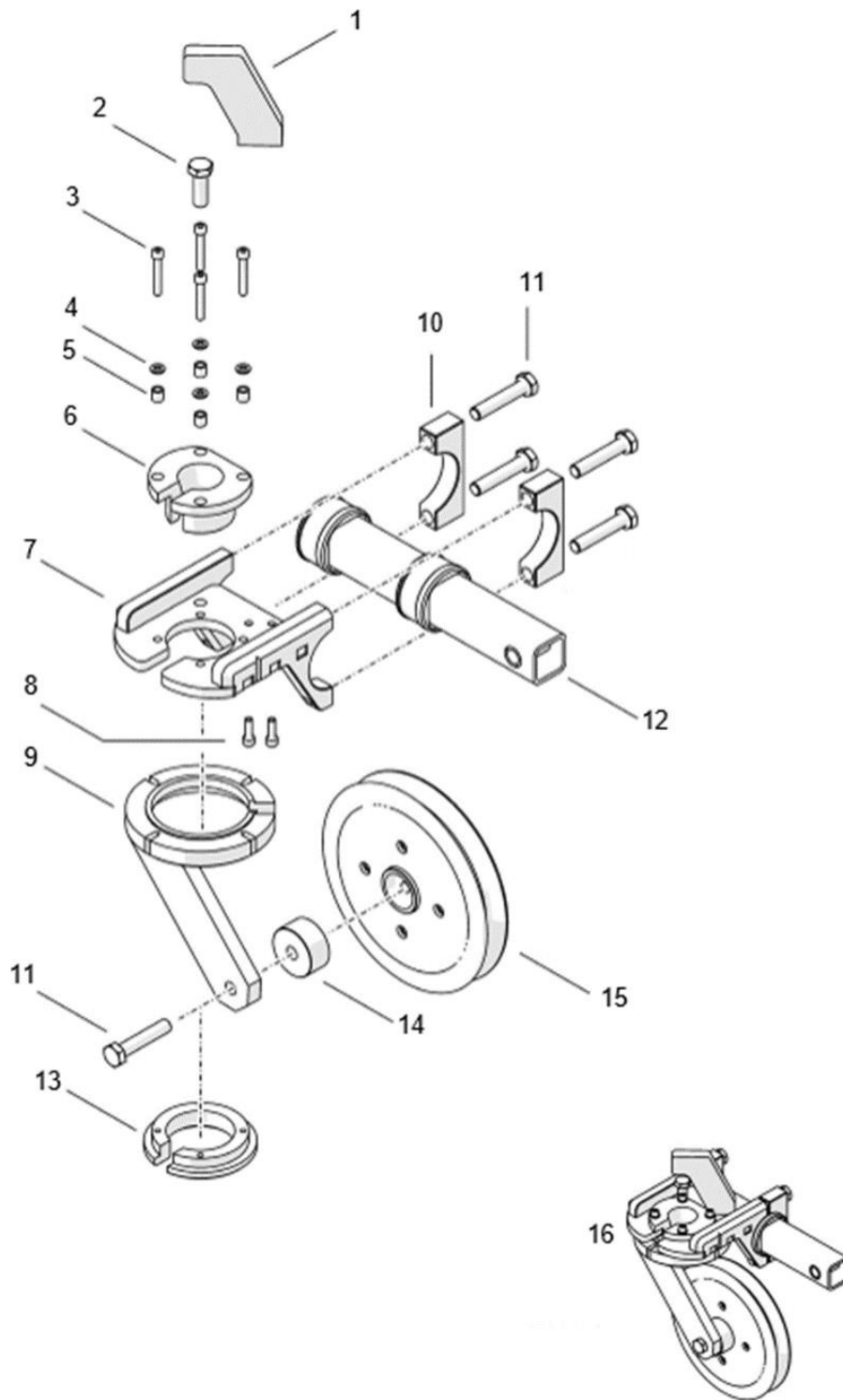
ITEM	DP #		DESCRIPTION
1	3403982		Straight Pin 3H6 X 16
2	3403669		Socket Screw M5X20
3	3401605		Mounting Flange Wcu17
4	3404206		O-Ring 12.00X4.00 N 70
5	3401510		Wheel 260/85/25 Hub 75
6	3401505		Washer Dia25X40X4
7	3401502		Hex. Screw M12X45
8	3401504		Hex.-Screw M12X90
9	3401506		Grooved Nail 4X8
10	3402010		Ty-Hs Type Plate 80X30
11	3404544		Clamping Screw
12	3403143		Long Nut M12
13	3401501		Hex. Screw M12X25
14	3401604		Center Sleeve
15	3403993		Socket Screw M5X25
16	3401516		Cotter Bolt Dia 3.0X60
17	3401603		Guard Deflection Pulley
18	3401561		Distance Bushing Short
19	3401606		Cover
20	3403975		Socket Screw Flhd M5X8
21	4600275		Cap Nut Hex M12
22	3401540		Chassis
23	3401655		Water Distributor
24	3401510		Wheel 260/85/25 Hub 75
25	3401615		Def. Pulley Ø200Mm Pa
26	3401625		Chassis Assembly

### Exit Swivel Pulley



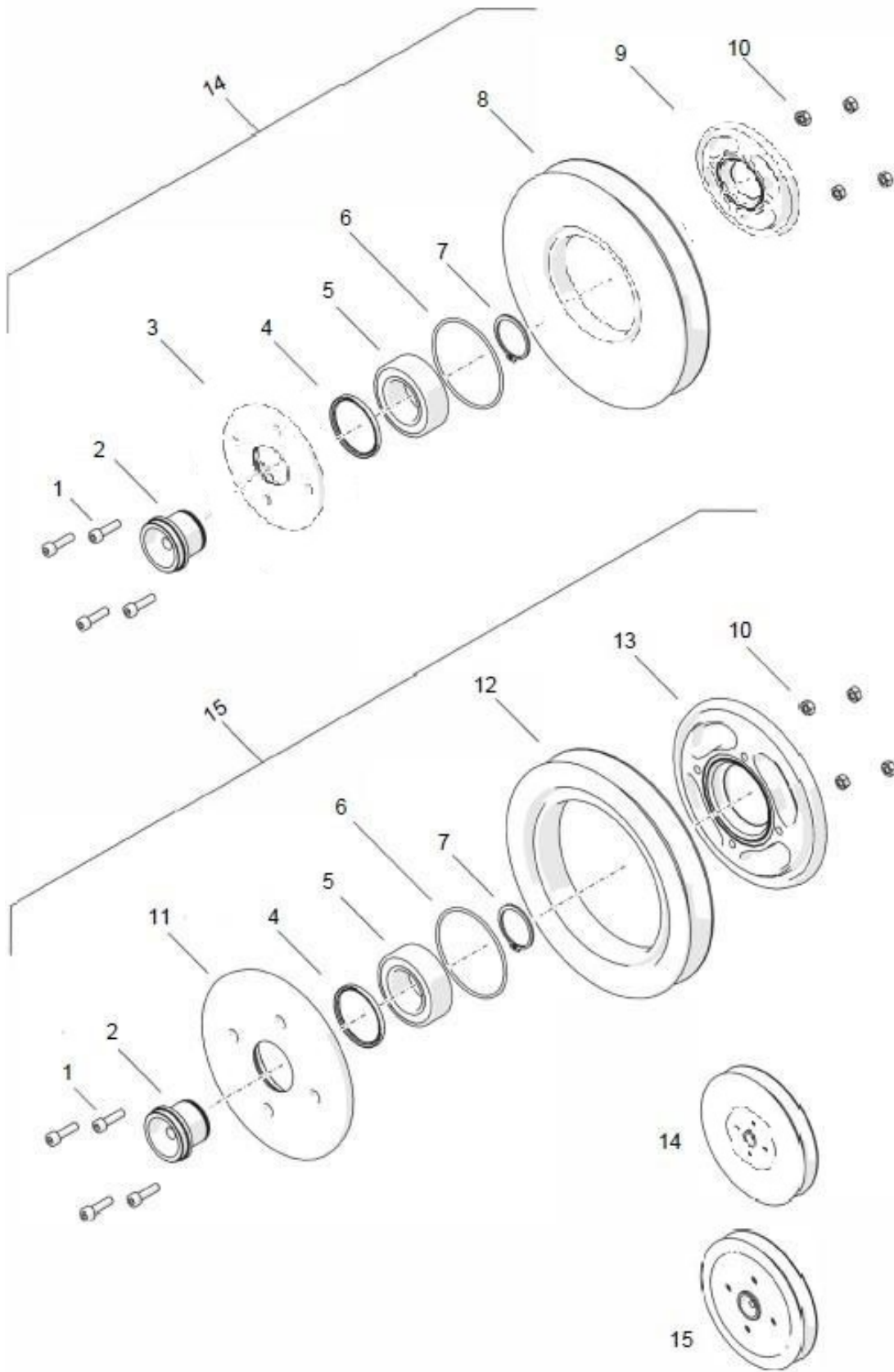
<b>ITEM</b>	<b>DP #</b>		<b>DESCRIPTION</b>
1	3400087		Socket Screw M6X40
2	3401389		Washer M6 6.4/12/1.6
3	3401228		Sleeve
4	3403571		Protection Sleeve
5	3401503		Hex.-Screw M12X60
6	3403479		Hex. Screw M12X30
7	3401560		Distance Bushing, Long
8	3401089		Ring
9	3401088		Swivelling Support
10	3401545		Pulley Support Exit
11	3401554		Def. Pulley Ø200 Standard
12	3401626		Exit Swivel Pulley Assembly

## Entry Swivel Pulley



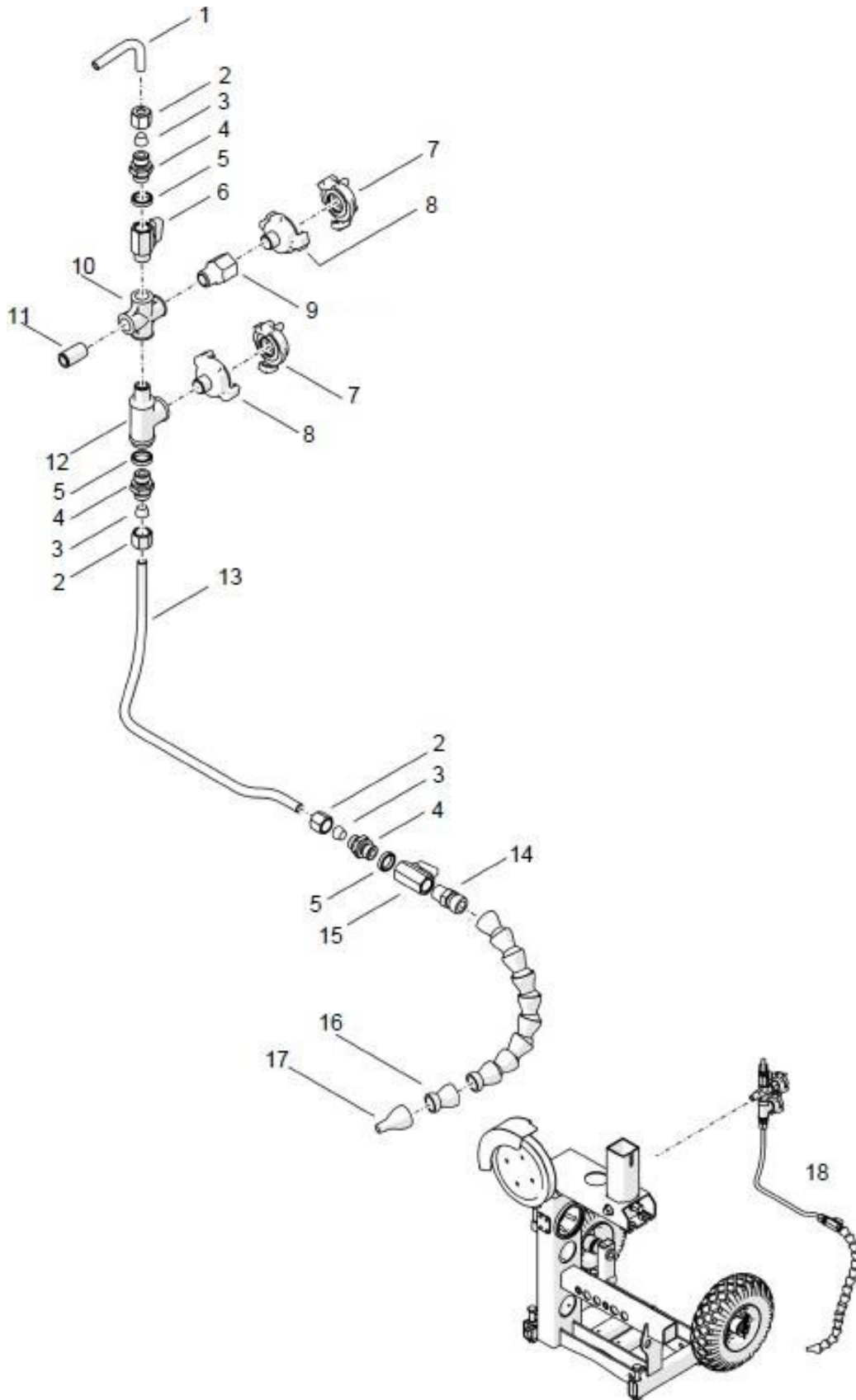
<b>ITEM</b>	<b>DP #</b>		<b>DESCRIPTION</b>
1	3401553		Protection Water Filter
2	3403663		Hex. Screw M12X35
3	3400087		Socket Screw M6X40
4	3401389		Washer M6 6.4/12/1.6
5	3401228		Sleeve
6	3400576		Protection Sleeve
7	3401637		Pulley Support Entry
8	3403487		Socket Screw M6X20
9	3401088		Swivelling Support
10	3401639		Bracket
11	3401503		Hex.-Screw M12X60
12	3401638		Pulley Support Tube Entry
13	3401089		Ring
14	3401560		Distance Bushing Long
15	3401554		Def. Pulley Ø200 Standard
16	3401636		Swivel Pulley Entry Assy

# Pulleys



<b>ITEM</b>	<b>DP #</b>		<b>DESCRIPTION</b>
1	3401591		Socket Screw M6X22
2	3401557		Pulley Shaft
3	3401631		Rim Open Ø200Mm
4	3401866		Sealing Ring Dia 45X52X4
5	3400507		Ang. Ball Bear. 3007-2Rs
6	3401518		O-Ring 72.00X2.50 N 70
7	3400857		Circlip Shaft Dia 35
8	3401614		Black Plastic Lining Ø200
9	3401632		Rim Closed Ø200Mm
10	2900305		Hexagon Nut M6
11	3401555		Rim Open Ø200Mm
12	3408075		Standard Rubber Lining (Black)
	3401819		Alternative Rubber Lining (Brown)
	3401831		Alternative Rubber Lining (Grey)
13	3401556		Rim Closed Ø200Mm
14	3401615		Def. Pulley Ø200Mm Pa
15	3401554		Def. Pulley Ø200 Standard

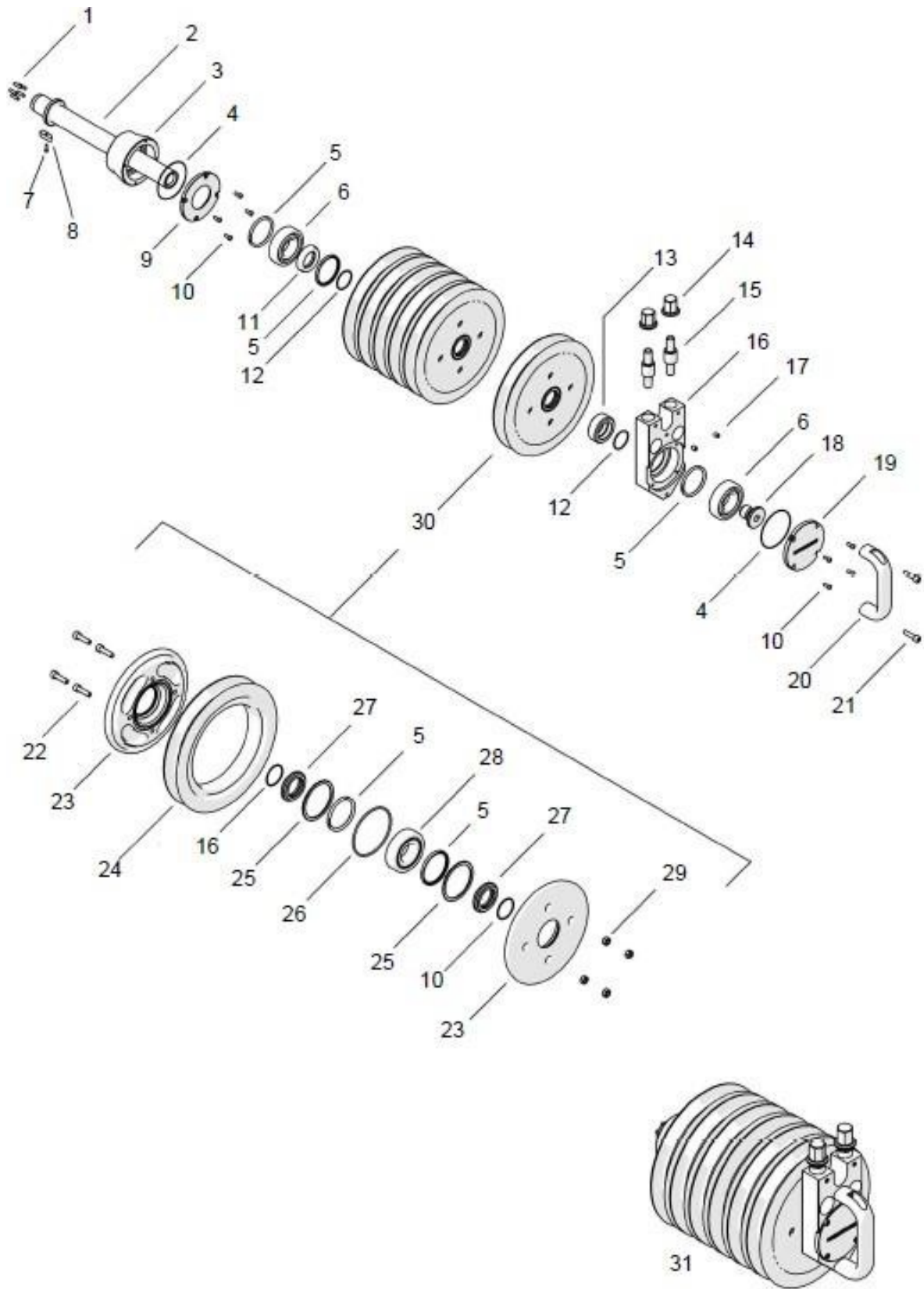
## Water Distributor





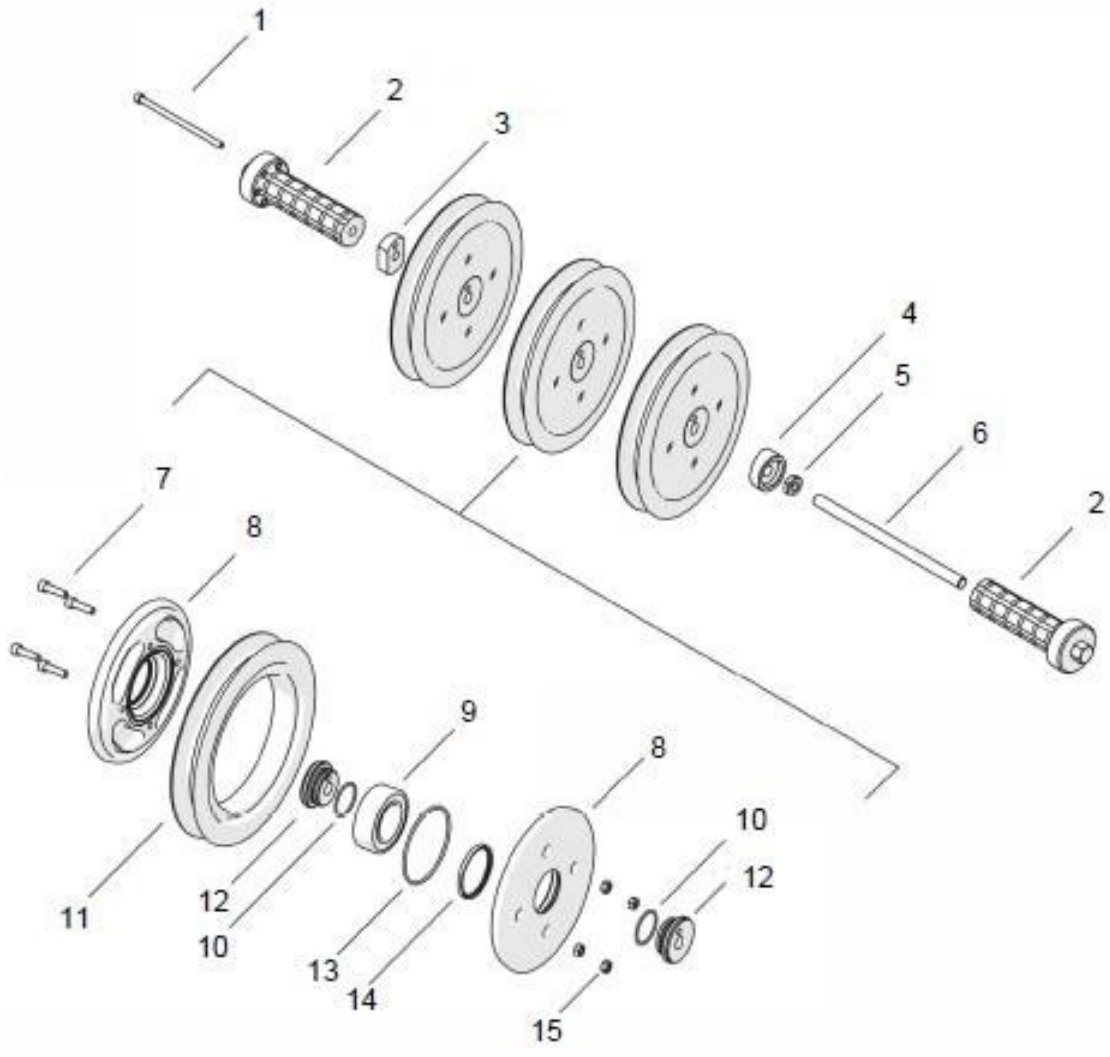
<b>ITEM</b>	<b>DP #</b>		<b>DESCRIPTION</b>
1	3401578		Tube Water Distribution
2	3402135		Swivel Nut 10L
3	3402134		Cutting Ring Pipe 10
4	3400627		Straight Fitting 3/8-10L
5	3401138		Edge Sealing Ring G3/8
6	3403577		Ball Valve F3/8" M3/8"
7	3401524		Dummy Coupling Geka
8	3401704		Hose Coupling Geka 3/8 A
9	3401616		Toothed Extension Gf 529A 3/8"
10	3403576		Distributor Gf180 3/8"
11	3403575		Pipe Nipple Gf530 3/8X30
12	3404009		F-T Connector 130 3/8'
13	3401539		Tube Water Distr. Bottom
14	3403016		Loc-Line Thread Nipple 3/8"
15	3401633		Ballvalve 3/8"
16	3401175		Loc-Line Link Large
17	3400769		Loc-Line Nozzle 6 Mm 1/2
18	3401655		Water Distributor

## Drive Unit



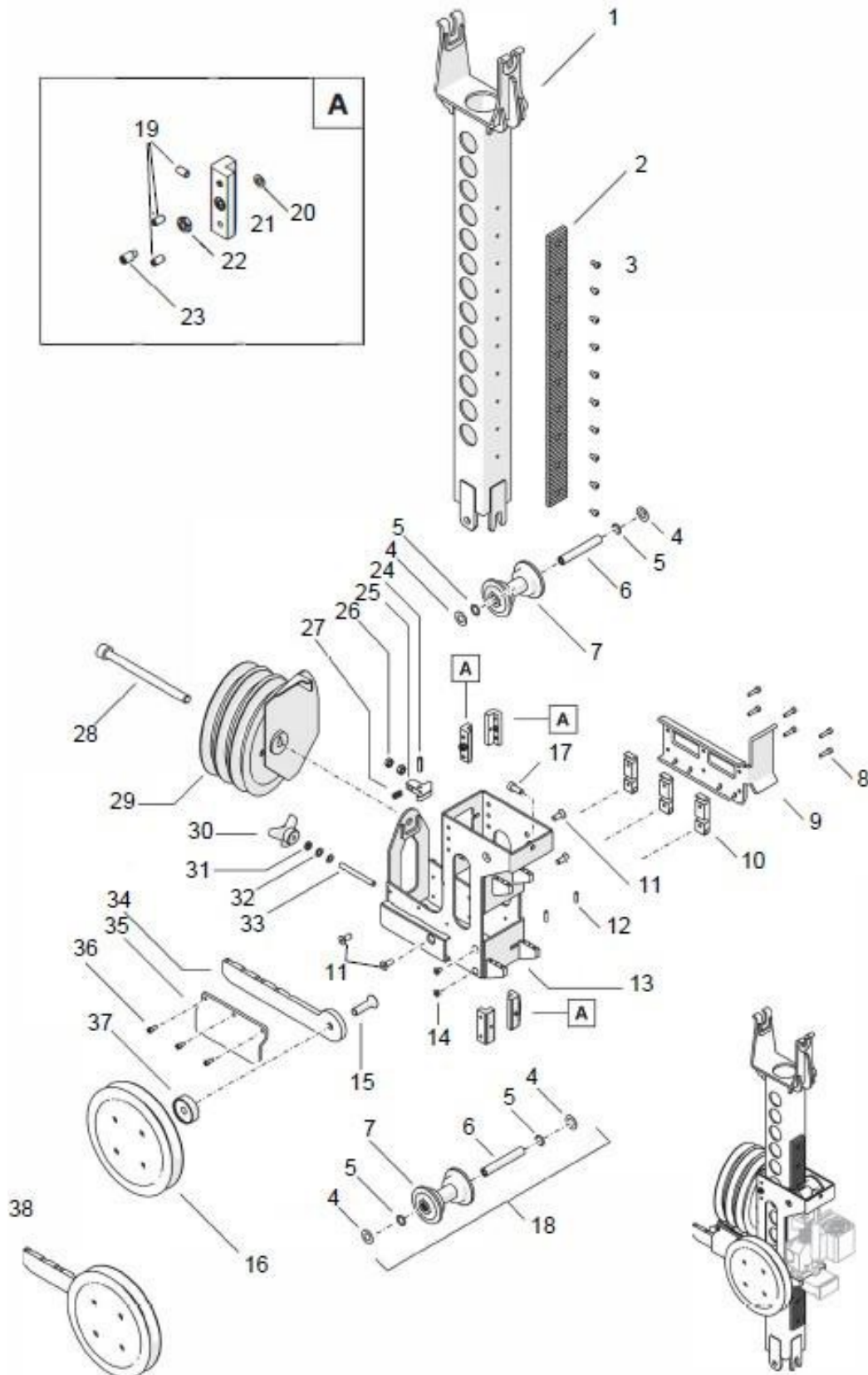
ITEM	DP #		DESCRIPTION
1	3401515		Straight Pin 4M6 X 16
2	3401544		Drive Shaft
3	3401547		Bearing Bush
4	2702791		O-Ring 62.00X1.50 N 70
5	3401866		Sealing Ring Dia 45X52X4
6	3401508		Gr. Ball Bear. 6206-2Rs
7	3402582		Socket Screw M3X10
8	3401599		Shaft Key 8X7X25 Shape C
9	2702792		Cover Rear
10	3403508		Socket Screw Flhd M4X10
11	3401243		Sealing Ring Sk-B
12	3404222		O-Ring 30.00X1.50 N 70
13	3401563		Spacer Ring
14	3403143		Long Nut M12
15	3401593		Bolt
16	3401545		Bearing Support
17	3401519		Threaded Pin M6X8
18	3401245		Screw
19	3402156		Cover Front
20	3400642		Bow-T. Handle Gn-565.1/M6
21	3404404		Socket Screw M6X25
22	3401591		Socket Screw M6X22
23	3401555		Rim Open Ø200Mm
24	3408075		Standard Rubber Lining (Black)
	3401819		Alternative Rubber Lining (Brown)
	3401831		Alternative Rubber Lining (Grey)
25	3401559		Spacer Ring
26	3401518		O-Ring 72.00X2.50 N 70
27	3401558		Sealing Ring
28	3402056		Free-Wheel Csk 30 W/O Key
29	2900305		Hexagon Nut M6
30	3401627		Drive Pulley
31	3401533		Drive Unit Assy

## Top Pulley



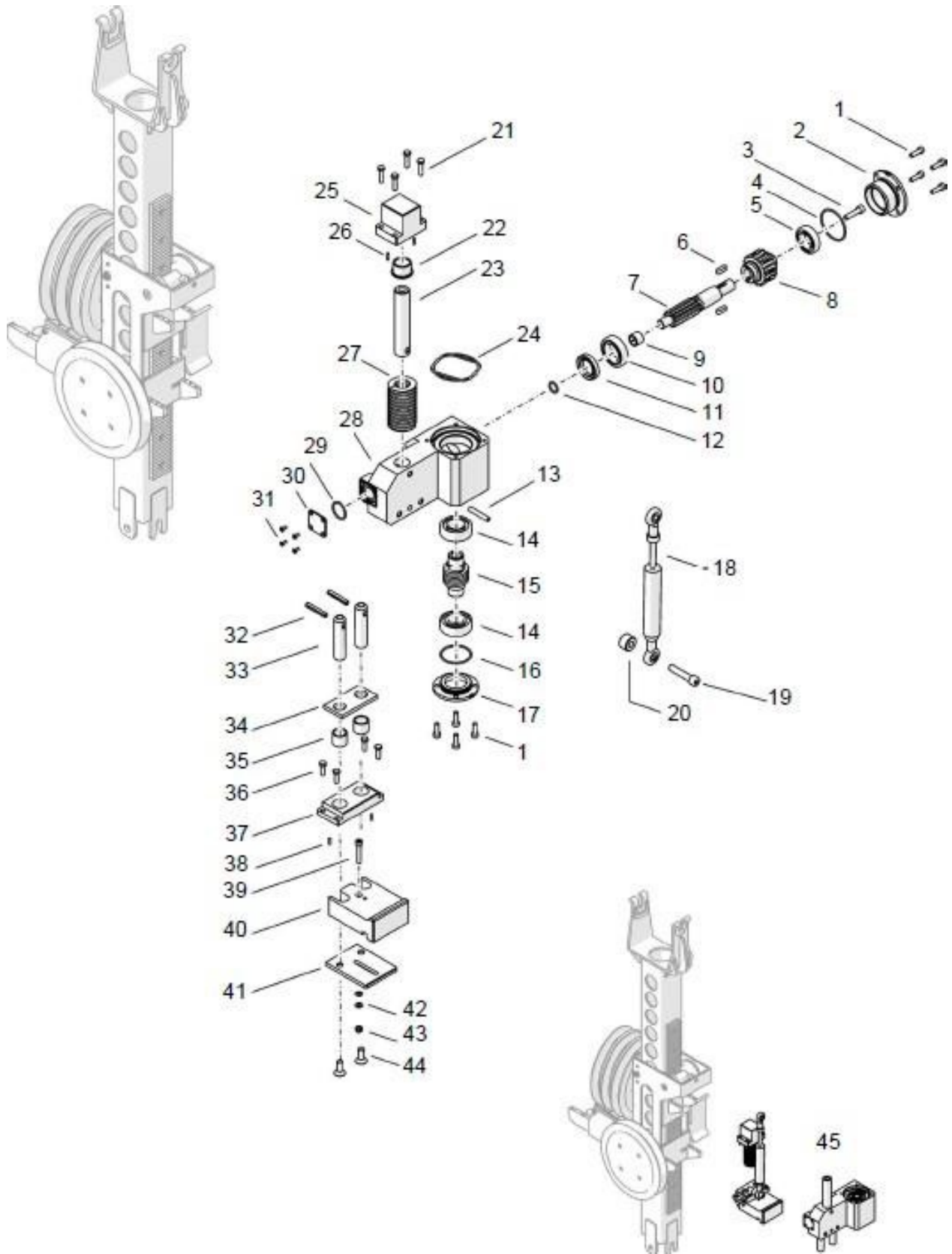
ITEM	DP #		DESCRIPTION
1	3401587		Socket Screw M6X116 Sp.
2	3401568		Handle
3	3401552		Spacer Inclined B
4	3401594		Spacer Inclined D
5	2901386		Hexagon Nut M12 X0.5D
6	3401569		Threaded Rod
7	3401591		Socket Screw M6X22
8	3401555		Rim Open Ø200Mm
9	3400507		Ang. Ball Bear. 3007-2Rs
10	3401600		O-Ring 31.00X2.00 N 70
11	3408075		Standard Rubber Lining (Black)
	3401819		Alternative Rubber Lining (Brown)
	3401831		Alternative Rubber Lining (Grey)
12	3401576		Sleeve Inclined
13	3401518		O-Ring 72.00X2.50 N 70
14	3401866		Sealing Ring Dia 45X52X4
15	2900305		Hexagon Nut M6
16	3401629		Defl. Pulley Assy Top

## Feed Unit



ITEM	DP #		DESCRIPTION
1	3401541		Guide Tube
2	3401570		Toothed Rack
3	3403564		Socket Screw Flhd M6X10
4	3401522		Dist. Washer Dm 14/26X0.5
5	3401532		O-Ring 14.00X2.50 N 70
6	3401549		Shaft
7	3401551		Guide Roller
8	3403669		Socket Screw M5X20
9	3401573		Tube Protection Plate
10	3401572		Bracket
11	3401499		Countersunk Screw M8X20
12	3401517		Rollpin Tooth.Slot 2.5X10
13	3401542		Carriage
14	3401620		Countersunk Screw M6X10
15	3401530		Countersunk Screw M12X45
16	3401554		Def. Pulley Ø200 Standard
17	3401917		Socket Screw M8X20
18	3401550		Guide Roller Assy
19	3401609		Set Screw M6X12
20	3401523		Shim Ring Dia 6/12X1.0
21	3401543		Sliding Block
22	3403736		Hexagon Nut M8 X0.5D
23	3401513		Threaded Pin M8X16
24	3403477		Rollpin Tooth.Slot 5X20
25	3401607		Clamping Lever Wcu17
26	3403021		Hexagon Nut M8
27	3401611		Pr. Spring Dm6.3/1.0X14.5
28	3401562		Socket Screw M12X140
29	3401628		Defl. Pulley Assy Ø200
30	4600257		Star Knob M8
31	3403736		Hexagon Nut M8 X0.5D
32	3401507		Disk Spring Dia15/8,2/0,8
33	3401610		Threaded Bolt M8X80
34	3401548		Adjustable Holder
35	3401602		Guard Sheet
36	3401858		Socket Screw M5X12
37	3401561		Distance Bush Short
38	3401652		Adjustment Pulley

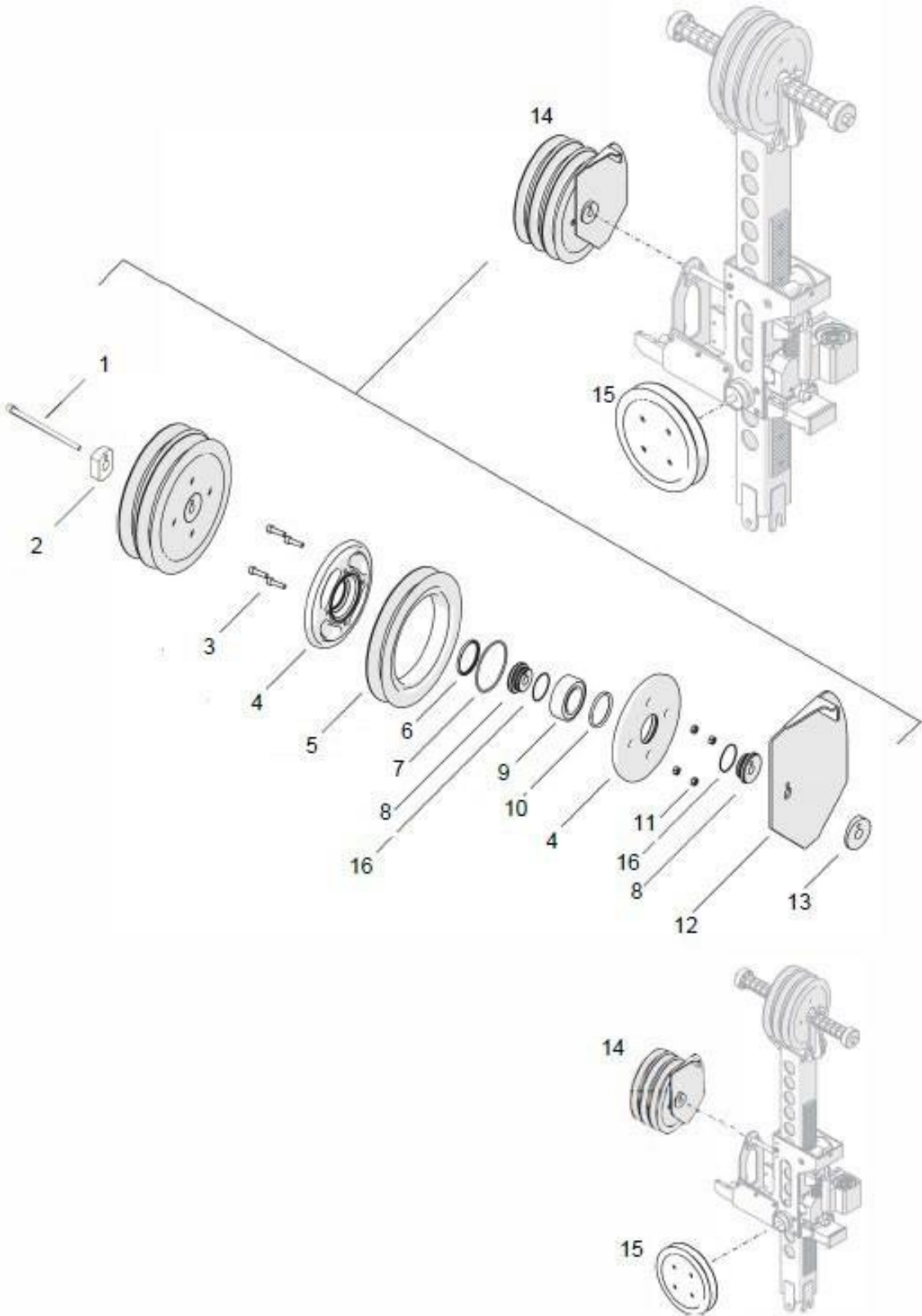
# Feed Gear





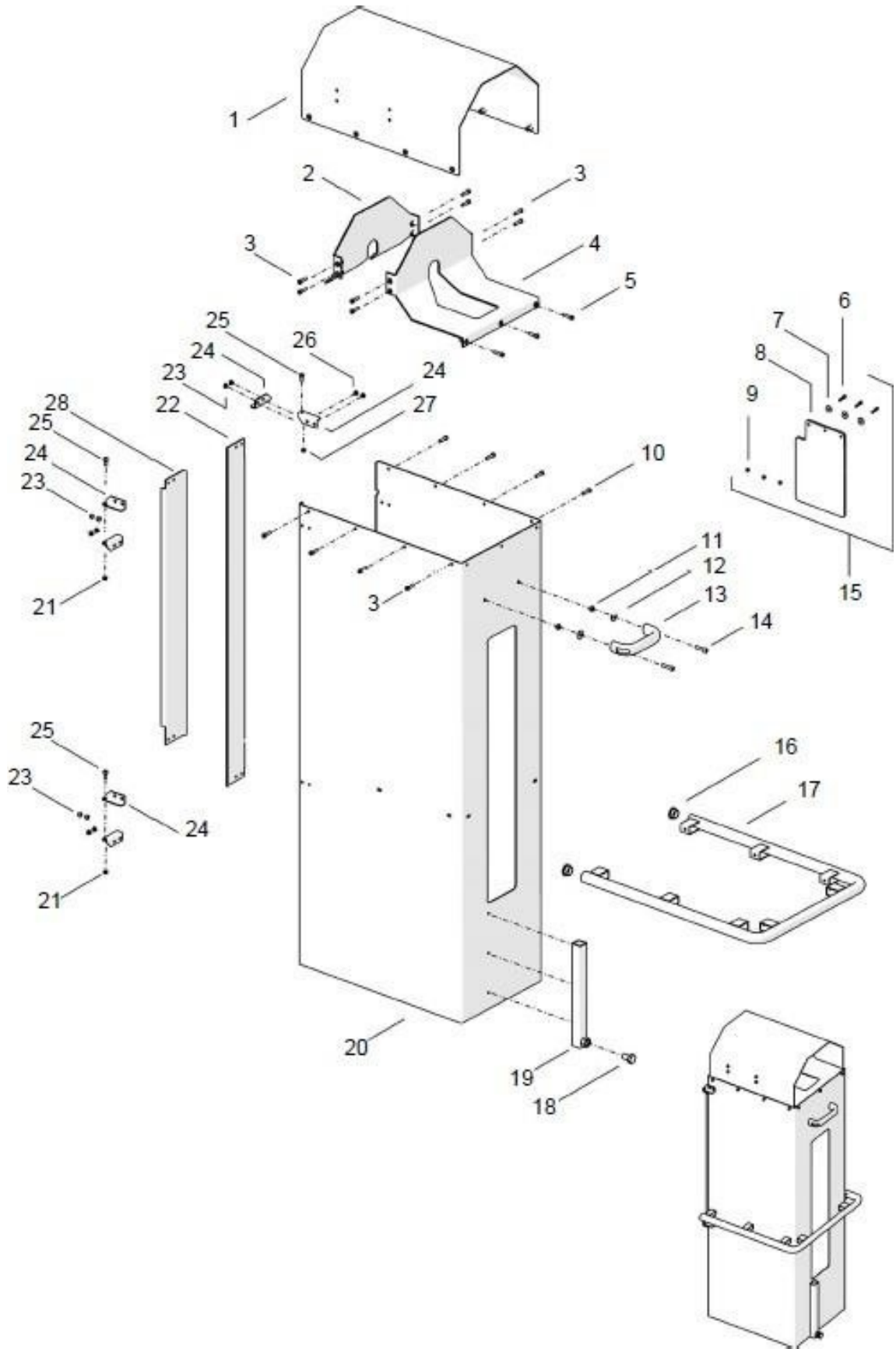
ITEM	DP #	DESCRIPTION
1	3400347	Socket Screw M5X16
2	3401579	Bearing Cover
3	3404404	Socket Screw M6X25
4	3404257	O-Ring 42.00X2.00 N 70
5	3401525	Grooved Ball Bearing 6904
6	3401511	Shaft Key 5X5X16
7	3401535	Drive Pinion
8	3401621	Worm Wheel
9	3404242	Bear. Bush Bp25 12/16X12
10	3401526	Grooved Ball Bearing 6905
11	3401529	Sh.Seal A 20/35/6 Nbr Rf
12	3401509	O-Ring 12.00X2.00 N 70
13	3401521	Rollpin Tooth.Slot 6X35
14	3401528	Angular Ball Bearing 7004
15	3401622	Worm Gear
16	3404201	O-Ring 38.00X2.00 N 70
17	3401580	Bearing Cover Bottom
18	3401588	Brake Cyl Cn-22-40 50N
19	3401497	Socket Screw M8X40
20	3401575	Distance Bush
21	3401520	Hex. Screw M5X20
22	3401581	Fl. Slide Bear. 20/24X16
23	3401537	Guidance Long
24	3401619	O-Ring 57.00X2.00 N 70
25	3401534	Spring Support Top
26	3401517	Rollpin Tooth.Slot 2.5X10
27	3401574	Spring Heavy 40/20X64
28	3401538	Gear Housing
29	3403373	O-Ring 22.00X2.00 N 70
30	3401601	Bearing Cover
31	3404357	Countersunk Screw M3X8
32	3401521	Rollpin Tooth.Slot 6X35
33	3401536	Guidance Short
34	3401564	Damping Plate
35	3401582	Slide Bearing 16/20X16
36	3404221	Hex. screw M5x16
37	3401571	Bottom Bearing Plate
38	3401517	Rollpin tooth.slot 2.5x10
39	3403670	Socket screw M5x30
40	3401597	Slider
41	3401598	Slider guidance
42	3401527	Disc spring Ø10/5.2x0.5
43	3403673	Lock nut M5 thin head
44	3401499	Countersunk screw M8x20
45	3401654	Feed gear

## Deflect Pulley



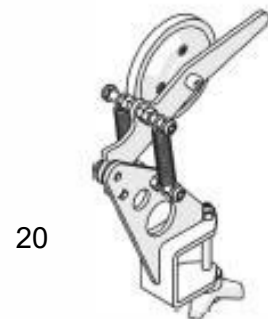
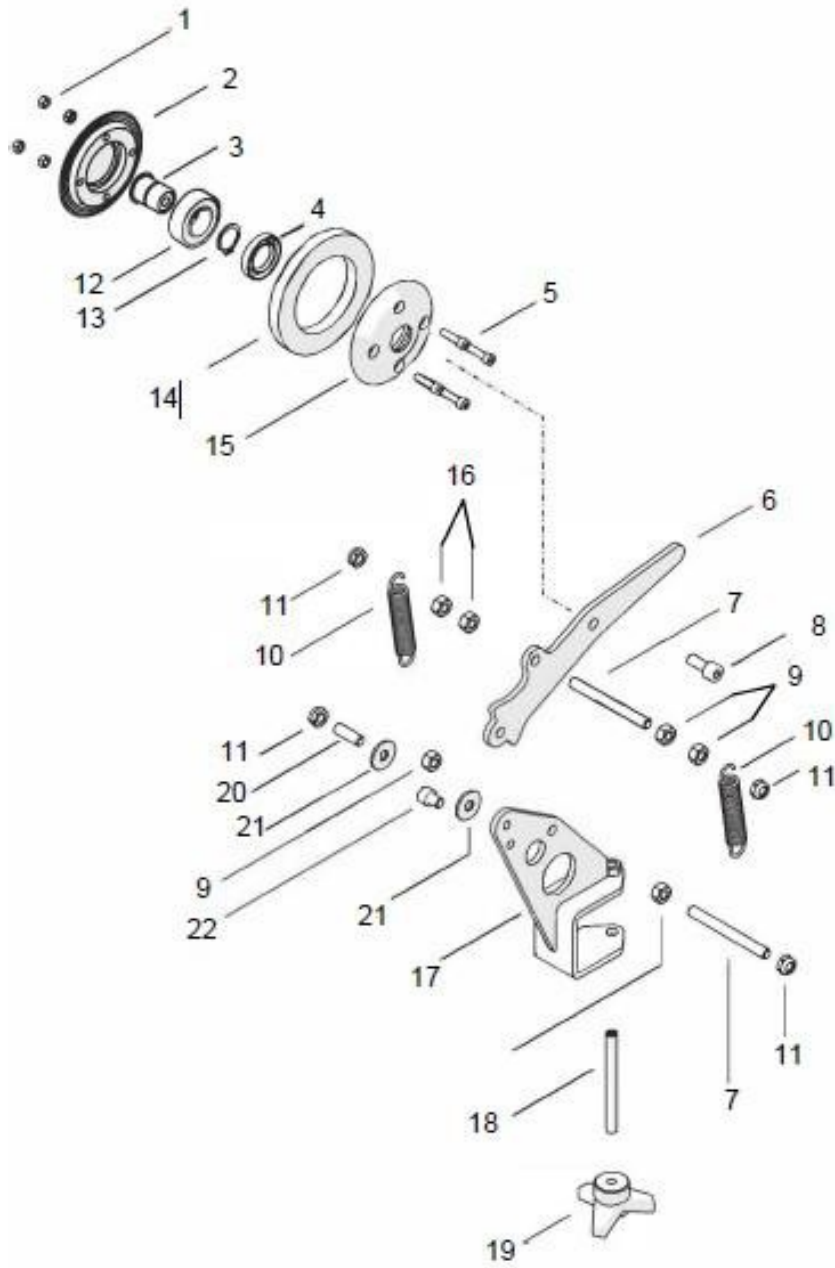
<b>ITEM</b>	<b>DP #</b>		<b>DESCRIPTION</b>
1	3401587		Socket Screw M6X116 Sp.
2	3401592		Spacer Inclined C
3	3401591		Socket Screw M6X22
4	3401555		Rim Open Ø200Mm
5	3401630		Rubber Lining 200 Pur70
6	3401866		Sealing Ring Dia 45X52X4
7	3401518		O-Ring 72.00X2.50 N 70
8	3401576		Sleeve Inclined
9	3400507		Ang. Ball Bear. 3007-2Rs
10	3401866		Sealing Ring Dia 45X52X4
11	2900305		Hexagon Nut M6
12	3401612		Guard Plate
13	3401613		Spacer Inclined A
14	3401628		Defl. Pulley Assy Ø200
15	3401554		Def. Pulley Ø200 Standard

# Hood



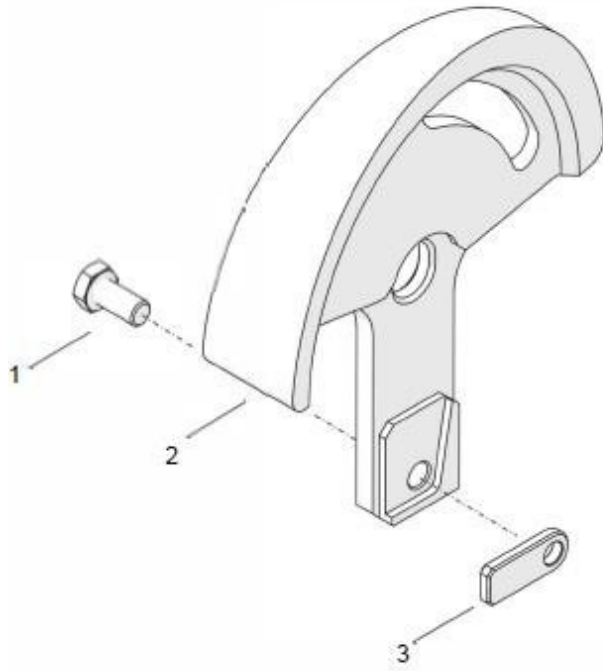
<b>ITEM</b>	<b>DP #</b>		<b>DESCRIPTION</b>
1	3401566		Hood Cover
2	3401567		Prot. Support
3	3401635		Lensh.Screw Inex+FI M5X12
4	3401656		Guard Sheet
5	3401635		Lensh.Screw Inex+FI M5X12
6	3400347		Socket Screw M5X16
7	3401623		Washer 5.3/20/1.5
8	3401649		Rubber Flap
9	3403673		Lock Nut M5 Thin Head
10	3401635		Lensh.Screw Inex+FI M5X12
11	2900305		Hexagon Nut M6
12	3401514		Washer M6 6.4/18/1.6
13	3400642		Bow-T. Handle Gn-565.1/M6
14	3404404		Socket Screw M6X25
15	3401708		Rework Proteck Flap Cpl.
16	3401589		Sealing Plug Dia 25
17	3401595		Handrail
18	3404012		Hex. Screw M12X20
19	3401584		Support
20	3401565		Hood
21	3403673		Lock Nut M5 Thin Head
22	3401585		Cover Sheet Rear Left
23	3401531		Blind Rivet Dia 4.8/L10.5
24	3401583		Hinge
25	3401858		Socket Screw M5X12
26	3401531		Blind Rivet Dia 4.8/L10.5
27	3403673		Lock Nut M5 Thin Head

## Draw Roll



ITEM	DP #		DESCRIPTION
1	3401500		Hexagon Nut M5
2	3401643		Rim Closed
3	3401641		Shaft
4	3401529		Sh.Seal A 20/35/6 Nbr Rf
5	3403669		Socket Screw M5X20
6	3401640		Lever
7	3401610		Threaded Bolt M8X80
8	3401917		Socket Screw M8X20
9	3403021		Hexagon Nut M8
10	3401648		Tension Spring Ø15X74X2.2
11	3401956		Lock Nut M8 Thin Head
12	3401512		Gr. Ball Bear. 6004-2Rs
13	3401188		Circlip Shaft Dia 20
14	3401644		Rubber Lining
15	3401647		Rim Open
16	3403021		Hexagon Nut M8
17	3401642		Support
18	3401645		Threaded Bolt M8X90
19	4600257		Star Knob M8
20	3401712		Draw Roll Assembly

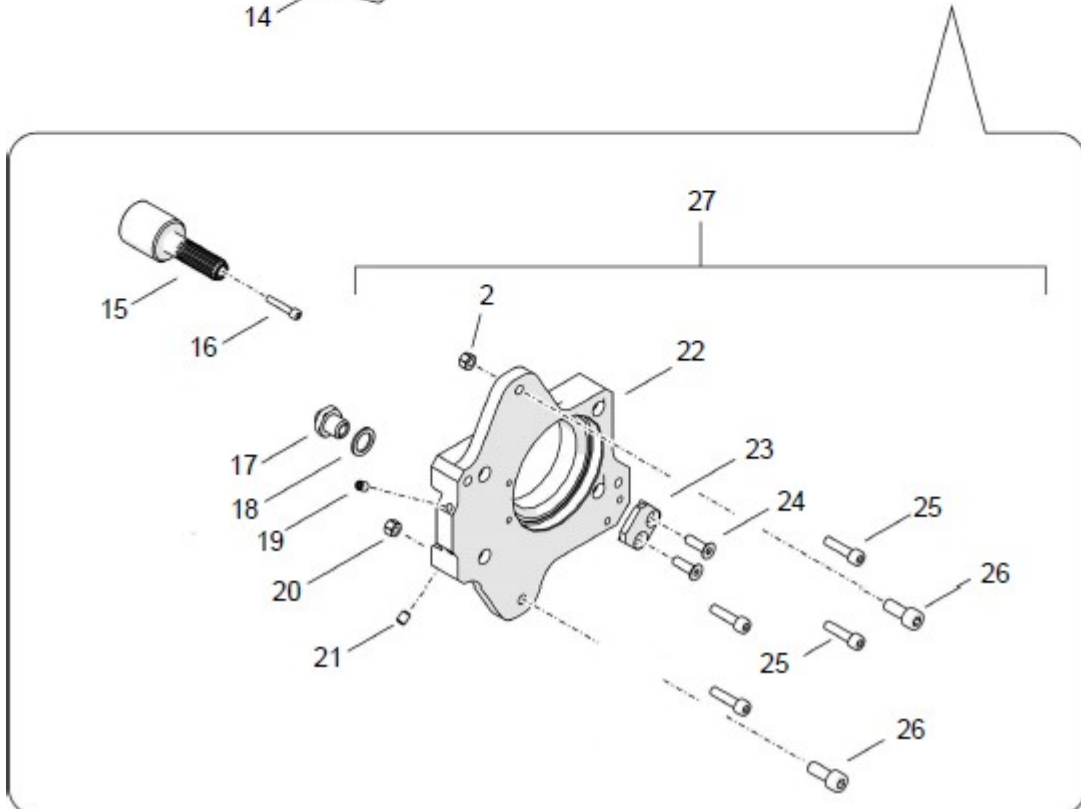
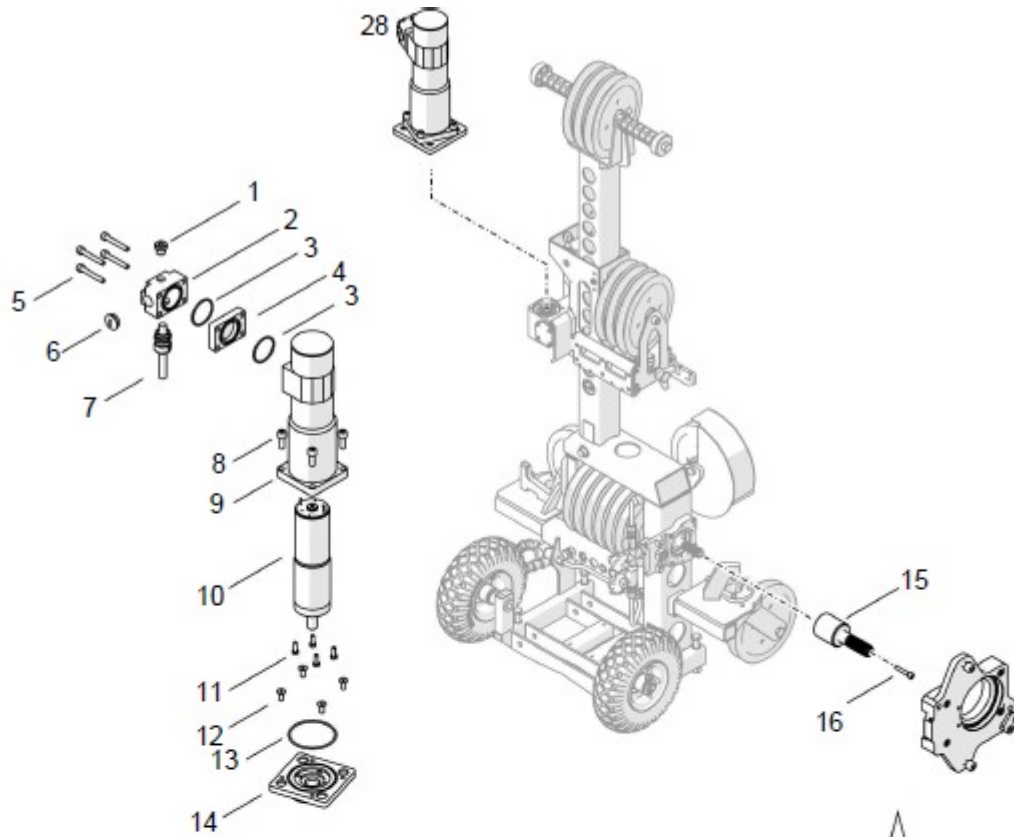
## Wire Protector





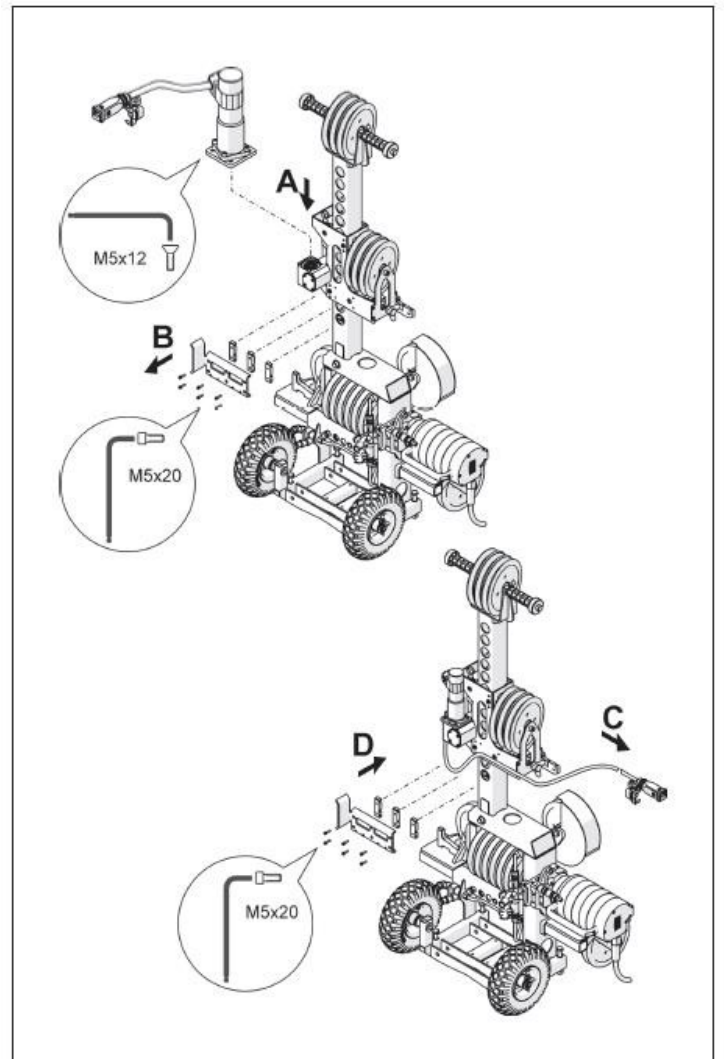
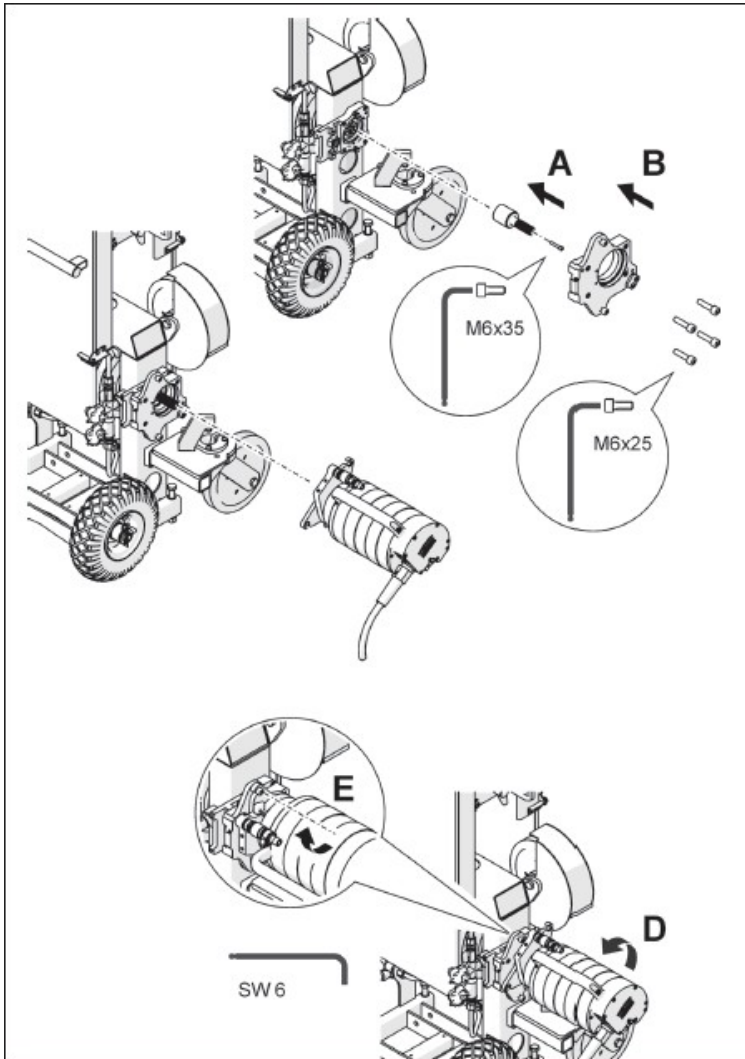
<b>ITEM</b>	<b>DP #</b>		<b>DESCRIPTION</b>
1	3401501		Hex. Screw M12X25
2	3401657		Wire Protection Pulley
3	3401658		Strap Wire Protection

### WSE1217 Motor



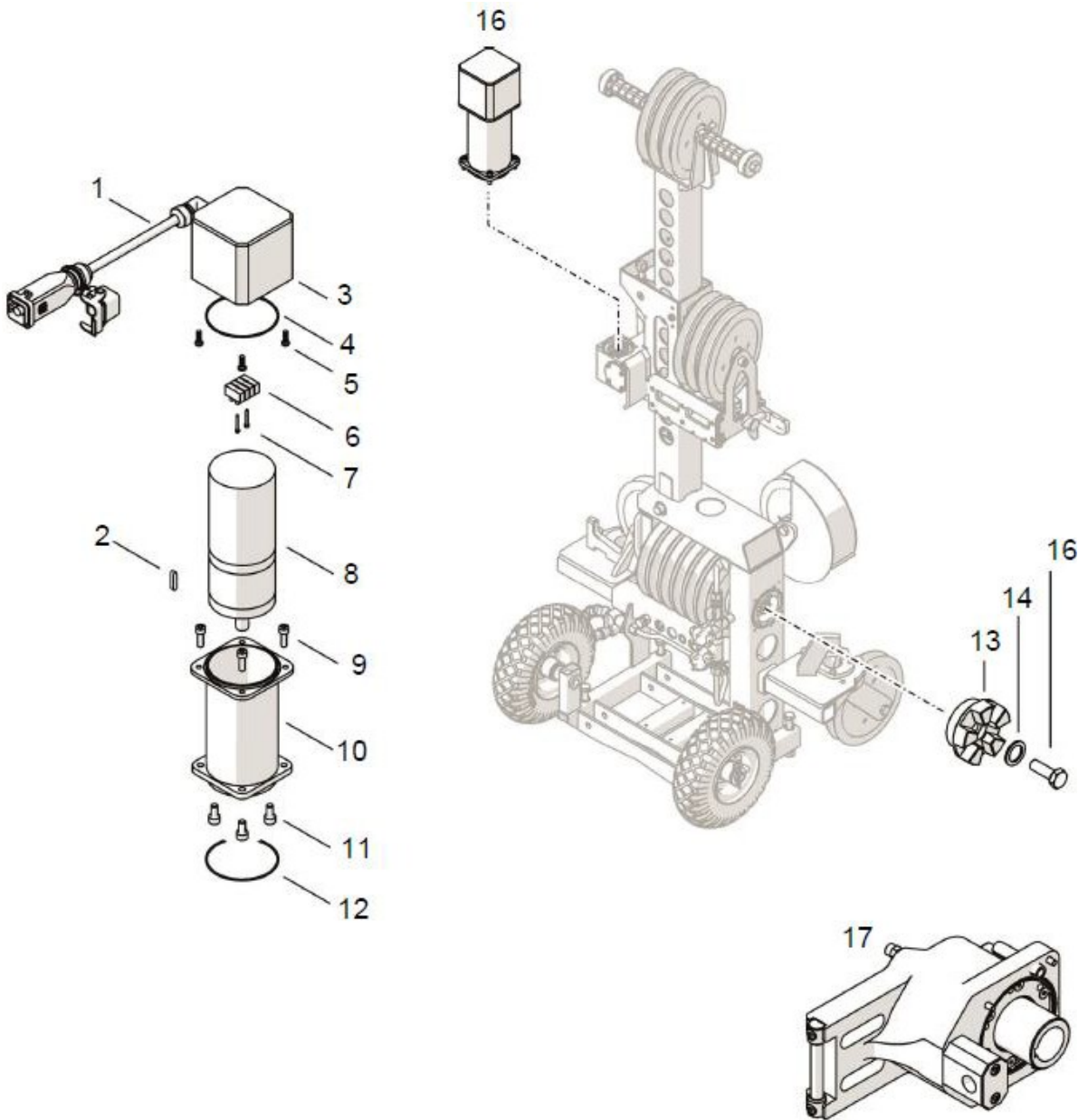
ITEM	DP #		DESCRIPTION
1	3401685		Plug screw M10x1
2	3401681		Cover feed motor WX
3	3403309		O-Ring 30.00x2.00 N 70
4	3401683		Sealing cover
5	3404022		Socket screw M5x35
6	3403724		Drain plug M16x1.5
7	3401691		Motor cab.feed WCU17/1217
8	3400693		Socket screw M6x16
9	3401686		Feed housing SK-B WX
10	3401684		Motor/gearbox 150W i=36
11	3403919		Socket screw flhd M4x12
12	3403838		Countersunk screw M5x12
13	3403301		O-Ring 52.00x2.00 N 70
14	3401690		Flange feed motor
15	3401689		Coupling shaft
16	3400579		Socket screw M6x35
17	3401682		Water nozzle
18	3402099		Copper seal G1/4
19	3401519		Threaded pin M6x8
20	3401956		Lock nut M8 thin head
21	3401519		Threaded pin M6x8
22	3401688		Motor plate
23	3401687		Motor arrestor rework
24	3403839		Countersunk screw M6x20
25	3404404		Socket screw M6x25
26	3403672		Socket screw M8x30
27	3401707		Mounting plate WSE1217
28	3401706		Feed motor 1217 WCU17

## Mounting 1217 Main Motor and Electric Feed Motor



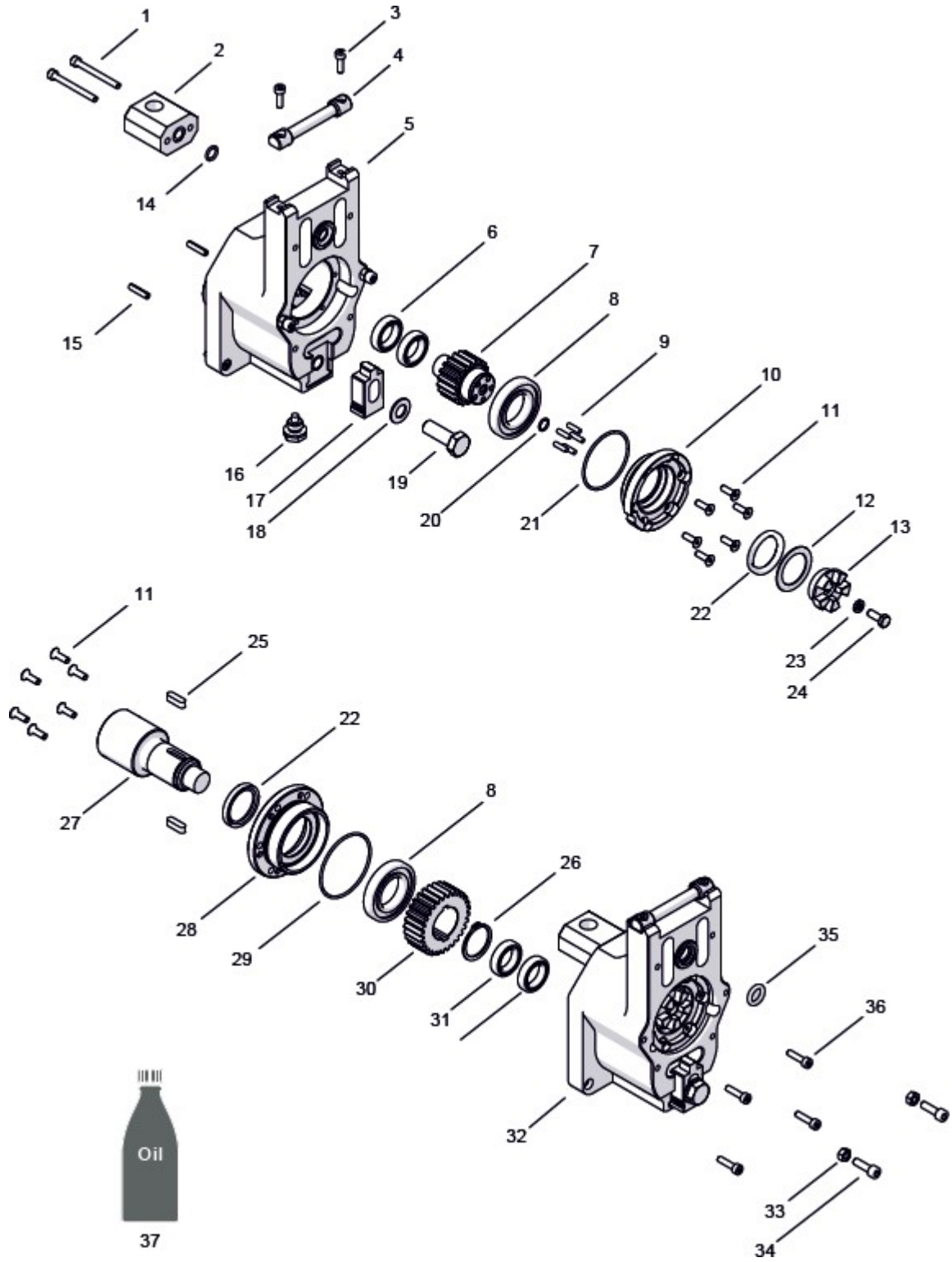


**WSE1621 Motor**





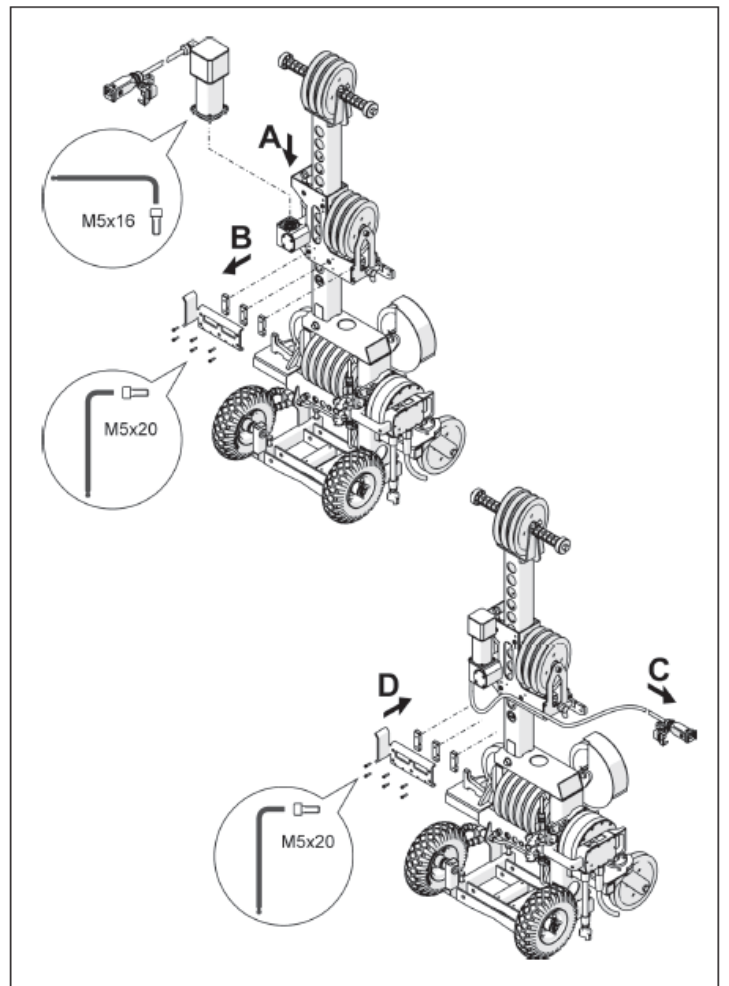
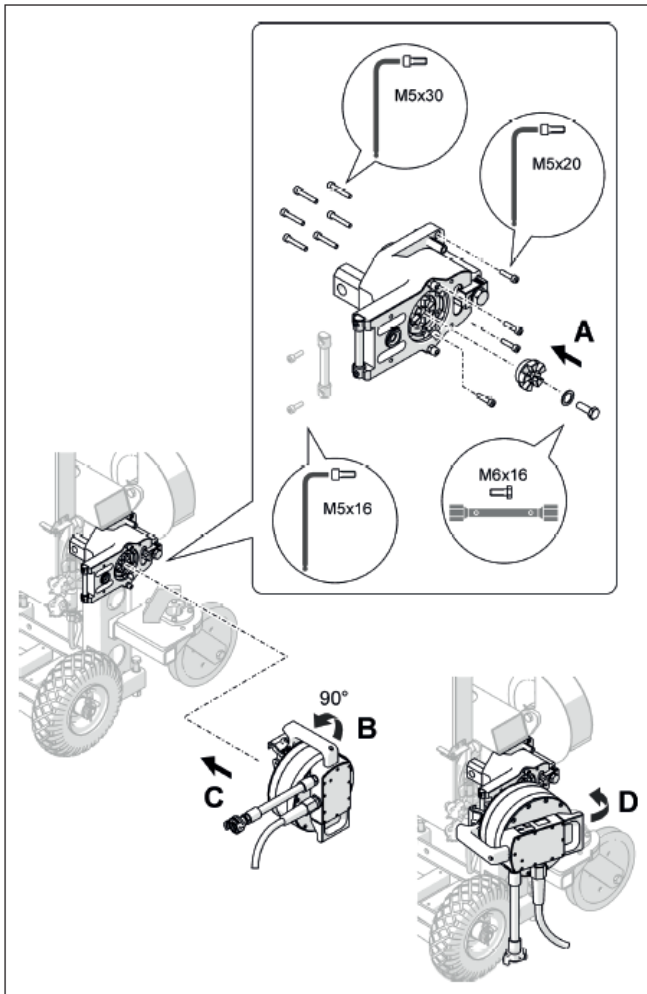
# WSE1621 Gearbox







**Mounting 1621 Main Motor and Electric Feed Motor**

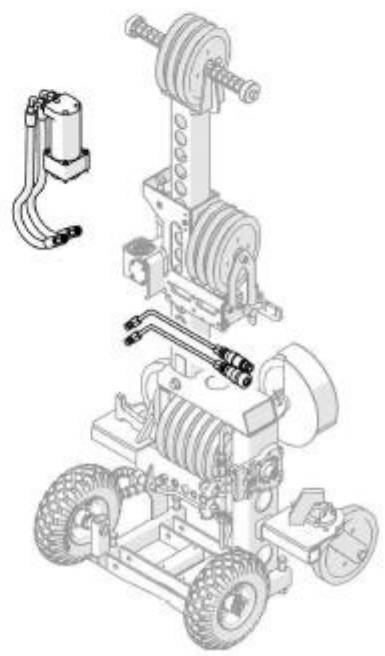
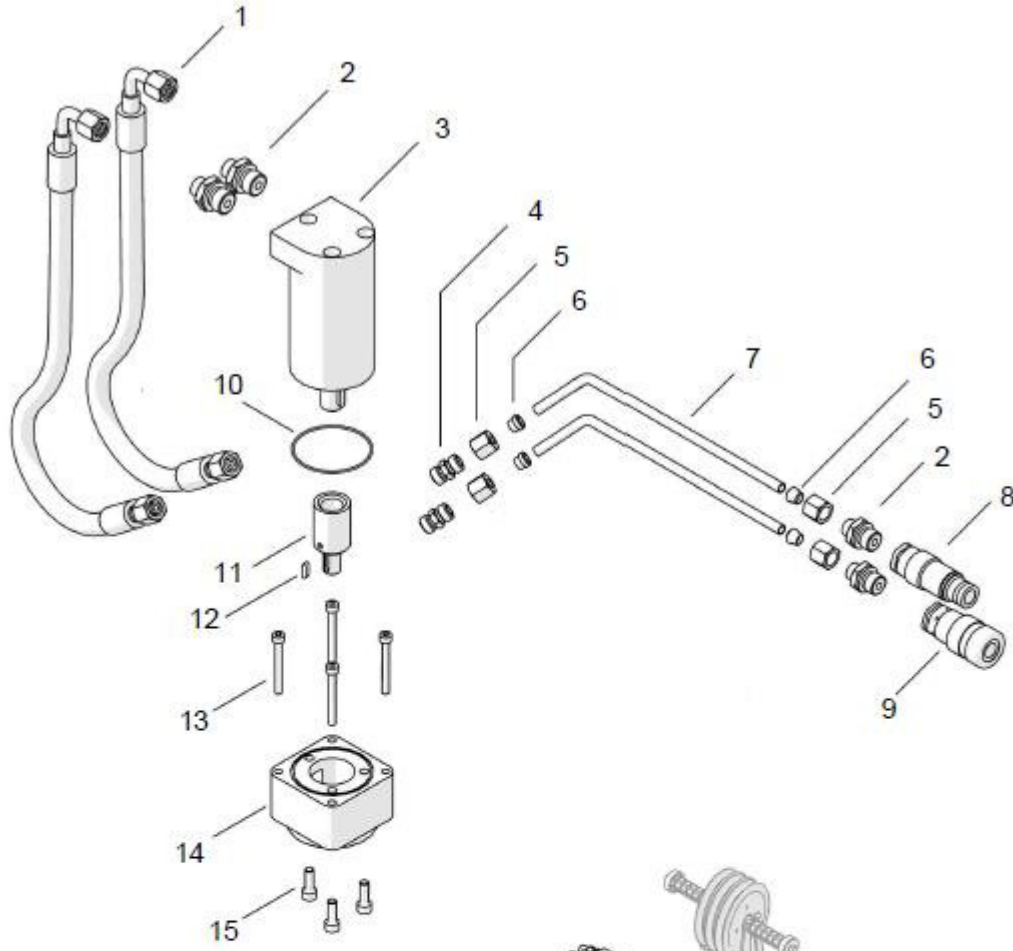






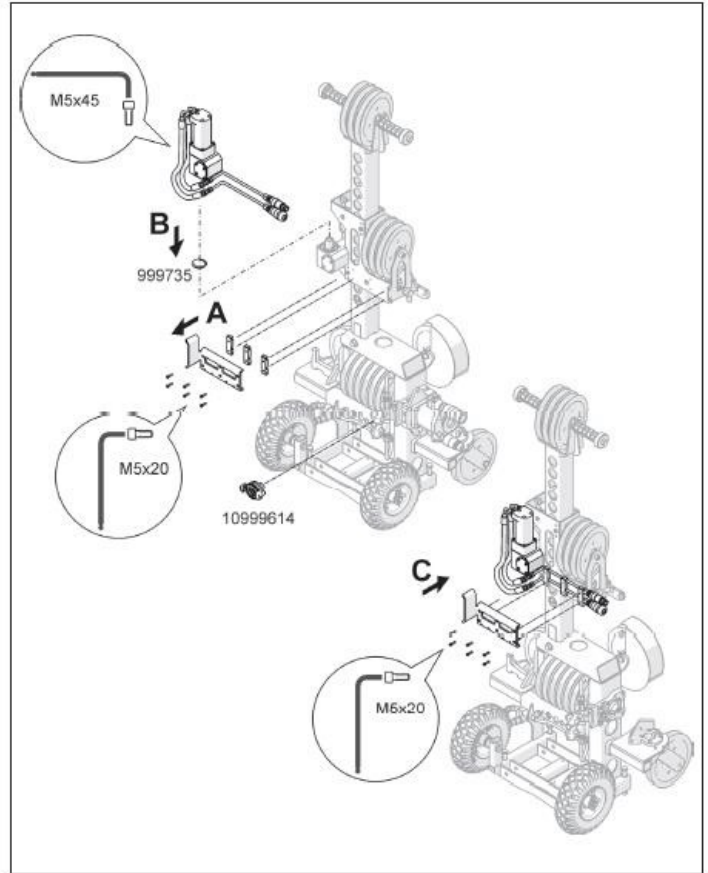
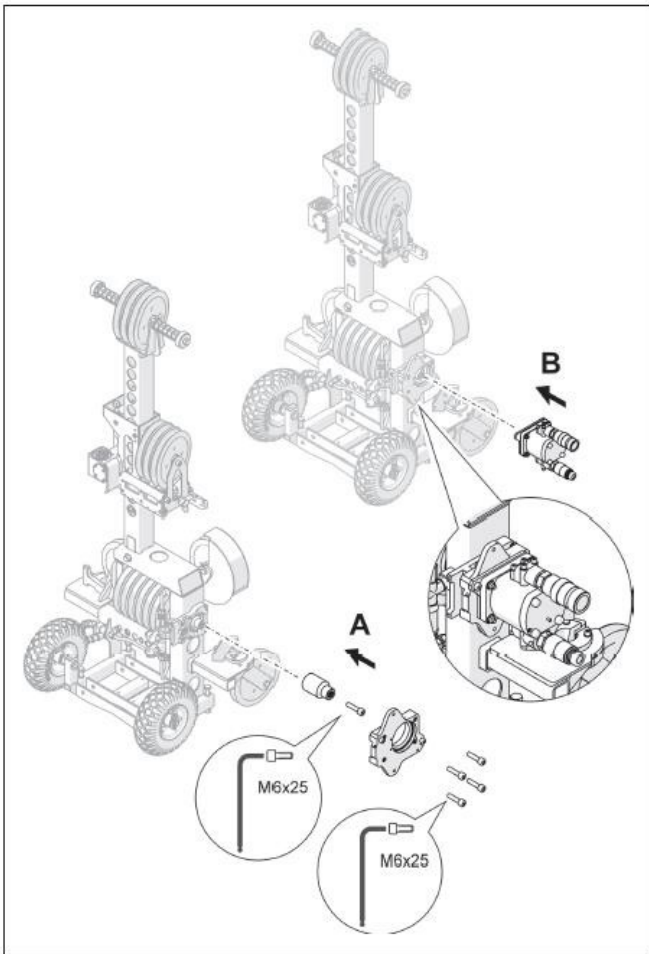


## Hydraulic Motor





**Mounting Hydraulic Drive Motor and Hydraulic Feed Motor**







INTENTIONALLY BLANK



## **EQUIPMENT AND PARTS WARRANTY**

Diamond Products warrants all equipment manufactured by it against defects in workmanship or materials for a period of one (1) year from the date of shipment to Customer.

The responsibility of Diamond Products under this Warranty is limited to replacement or repair of defective parts at Diamond Products' Elyria, Ohio factory, or at a point designated by it, of such parts as shall appear to us upon inspection at such parts, to have been defective in material or workmanship, with expense for transportation and labor borne by Customer.

In no event shall Diamond Products be liable for consequential or incidental damages arising out of the failure of any Product to operate properly.

Integral units such as engines, electric motors, batteries, transmissions, etc., are excluded from this Warranty and are subject to the prime manufacturer's warranty.

**THIS WARRANTY IS IN LIEU OF ALL OTHER WARRANTIES, EXPRESSED OR IMPLIED, AND ALL SUCH OTHER WARRANTIES ARE HEREBY DISCLAIMED.**



333 Prospect Street, Elyria, Ohio 44035  
(440) 323-4616 • (800) 321-5336 • Fax (800) 634-4035  
[www.diamondproducts.com](http://www.diamondproducts.com)