



**SPARE PARTS LIST**  
**WALL SAW WSE1621**

Index 000

**EN** Spare Parts List



## How to use the spare parts list

The spare parts list is not intended as instructions for assembly or dismantling work. It is exclusively intended to help you to quickly and easily find spare parts, which can then be ordered at the address below.

### Safety regulations



#### Danger

The assembling or dismantling of modules can involve risks which are not identified in this spare parts list.

The use of this spare parts list for assembly or dismantling purposes is strictly forbidden. For assembly or dismantling tasks it is essential to only follow the corresponding descriptions in the operating manual.

If this regulation is not heeded injuries may be incurred which in the worst case can also be fatal.

### Ordering



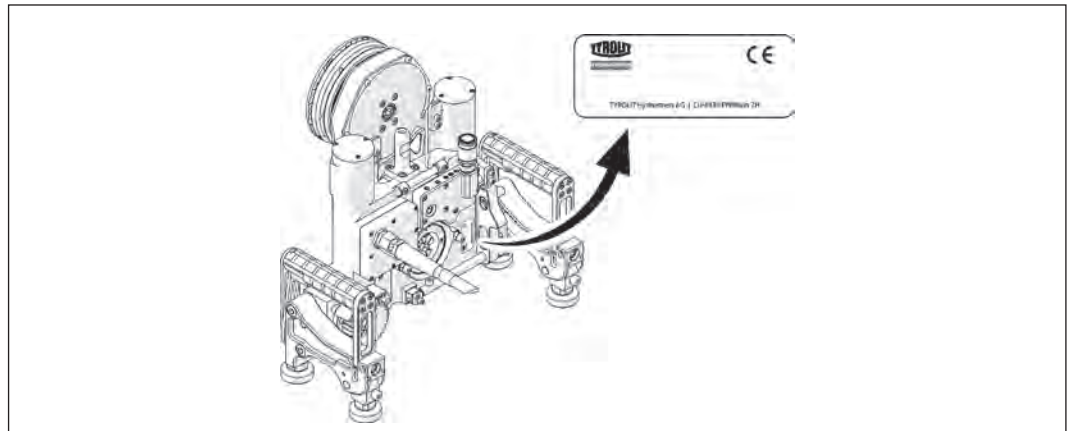
#### Information

To avoid incorrect deliveries you should check the order details for correctness and completeness (see under ordering details) prior shipment.

You should ensure that the delivery address is given in full.

## Spare Parts List

### Ordering details

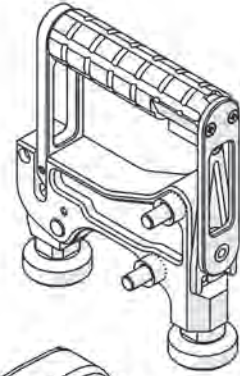


When spare parts are ordered we need the following details:

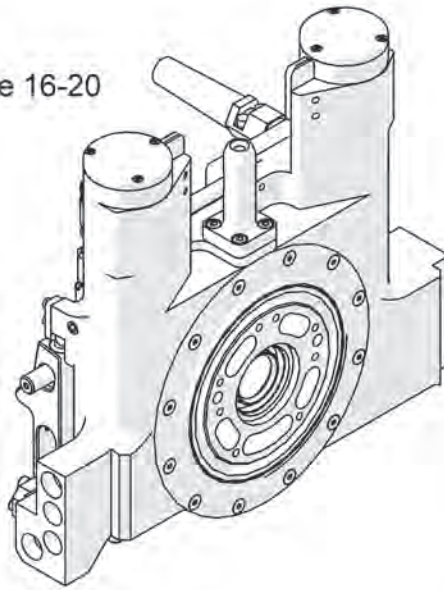
- Machine type according to nameplate (e.g. WSE1621 ★ ★ ★)
- Machine number according to nameplate (e.g. 10990000)
- Machine index according to nameplate (e.g. 000)
- Spare part number according to the spare parts list (e.g. 961901)

For orders, questions and information please contact your responsible branch office.

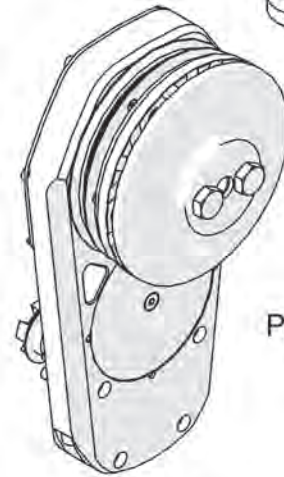
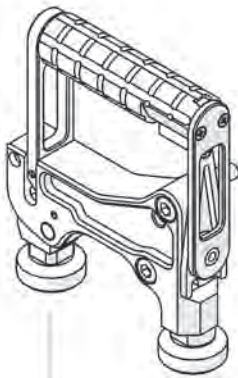
Page 12



Page 16-20



Page 11



Page 13-15

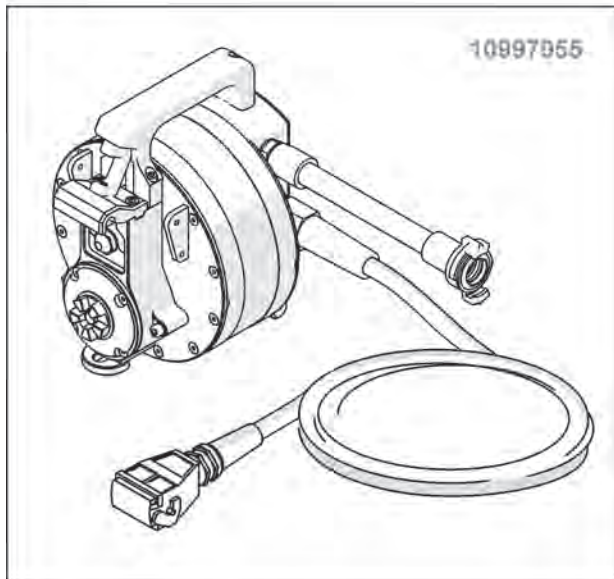
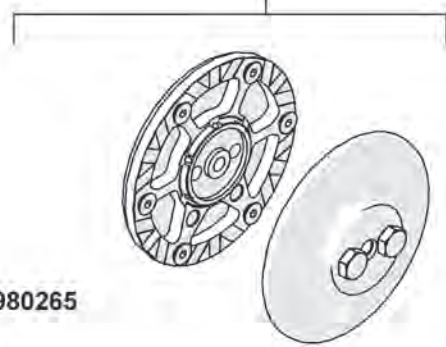


10996593



10979735

Page 15



10997055

10980265



10982724

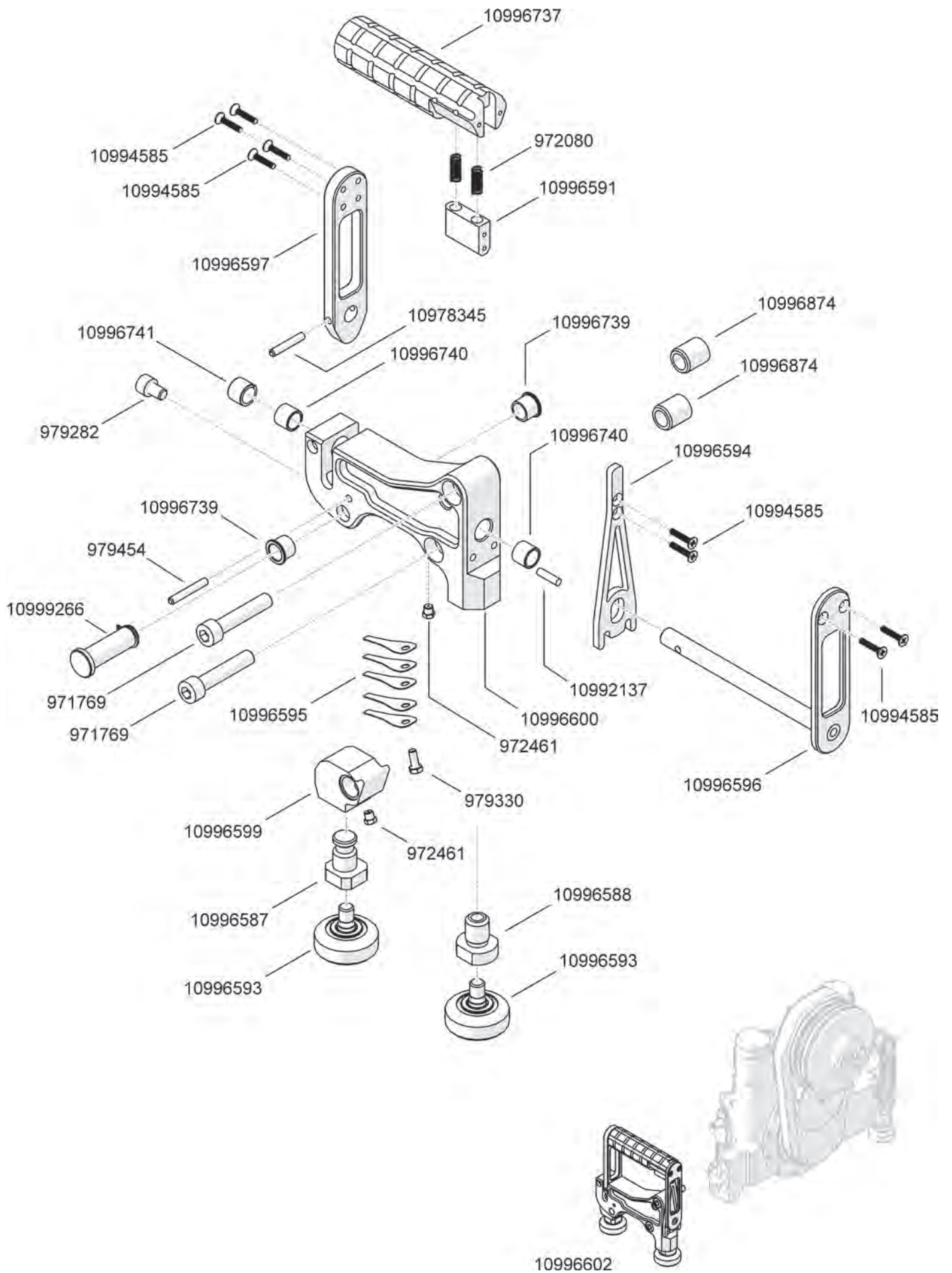


973773

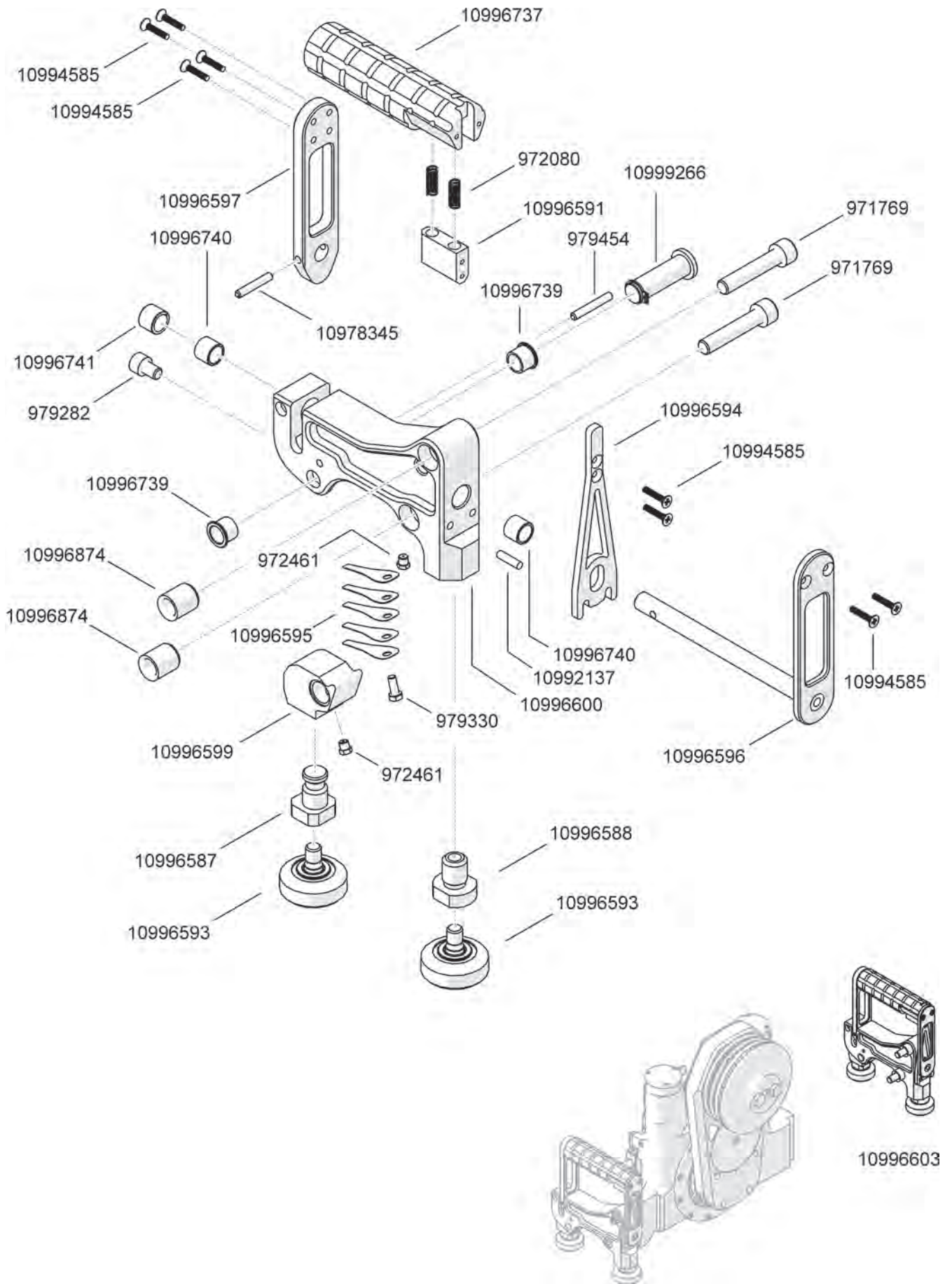


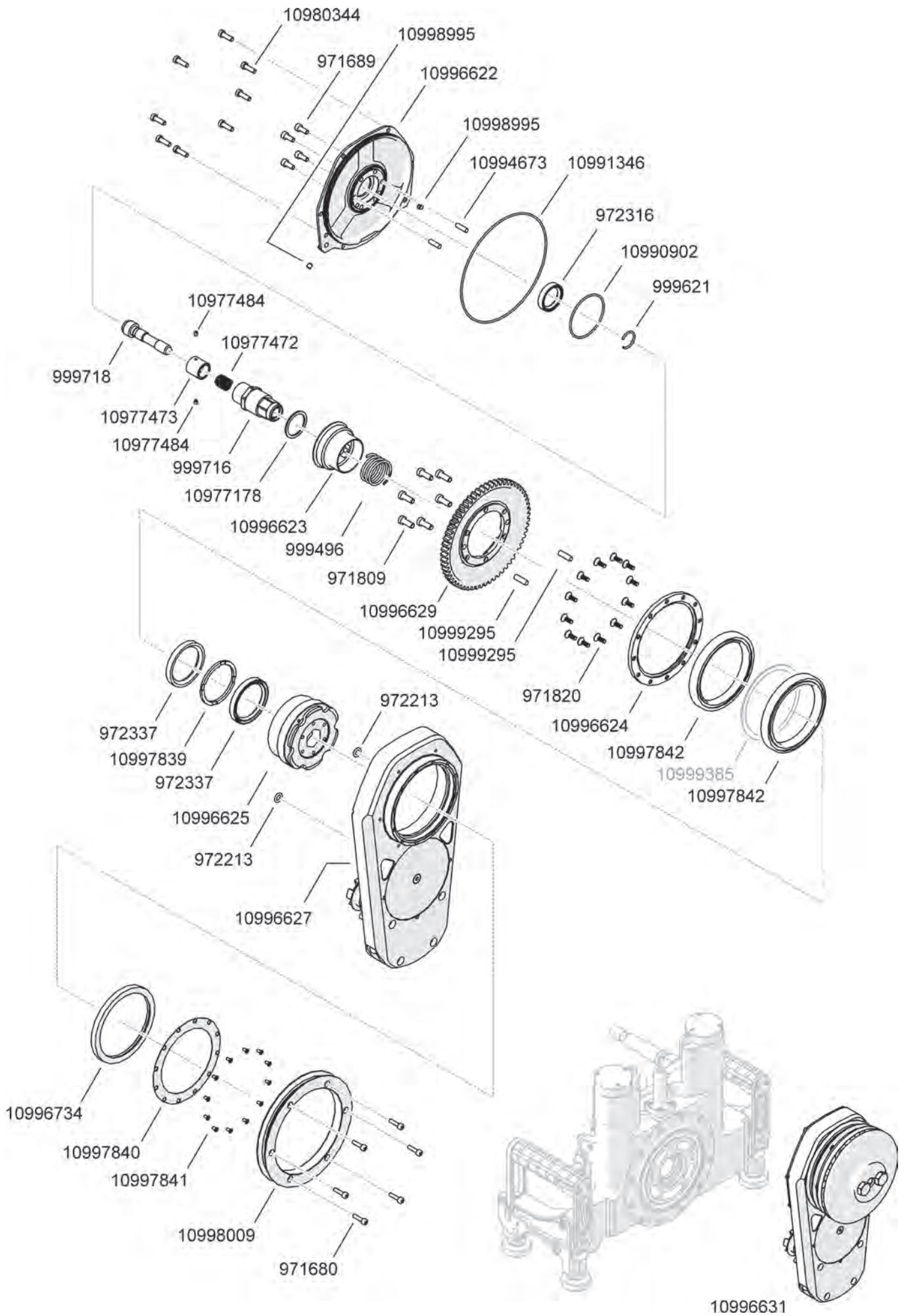
973792

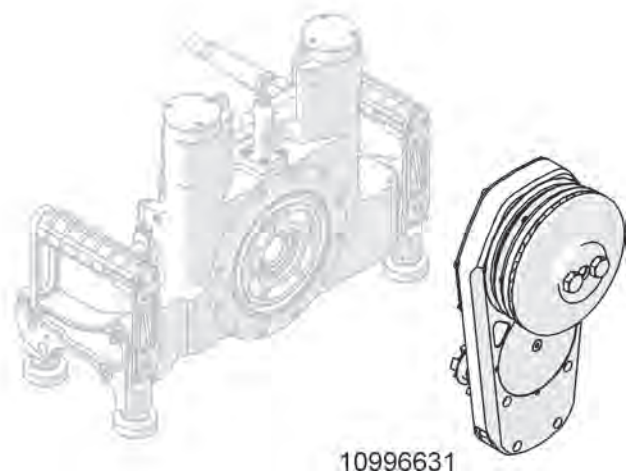
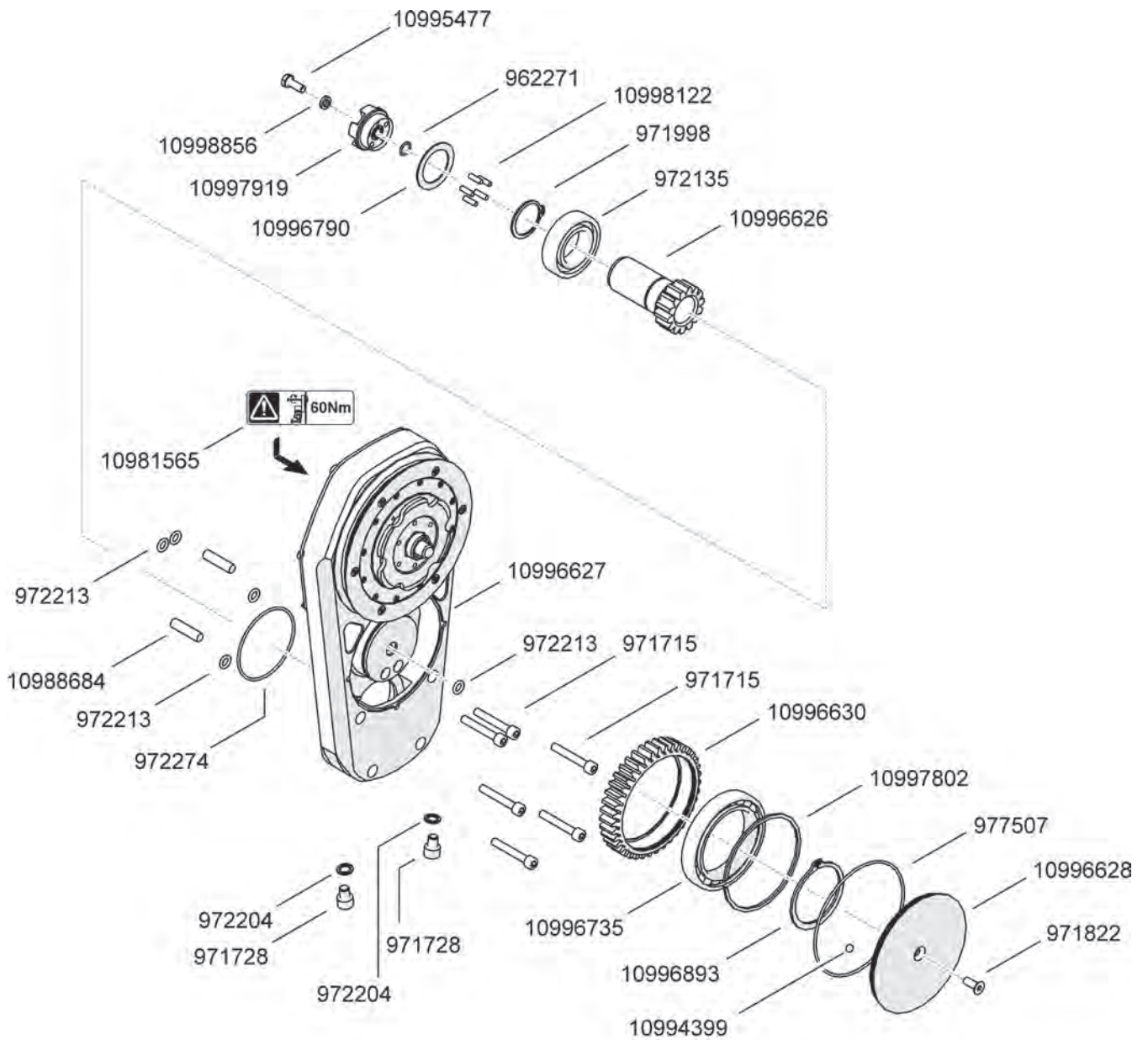




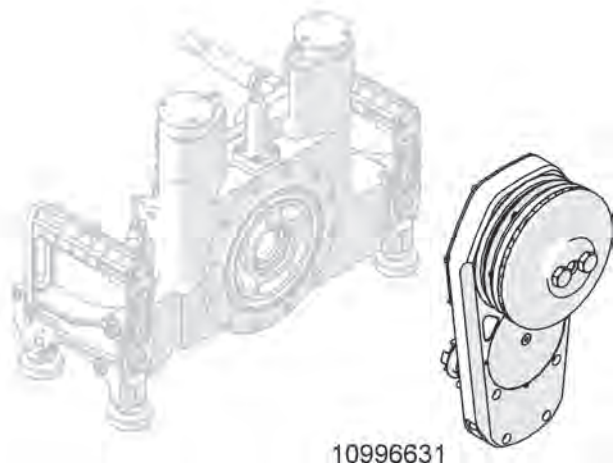
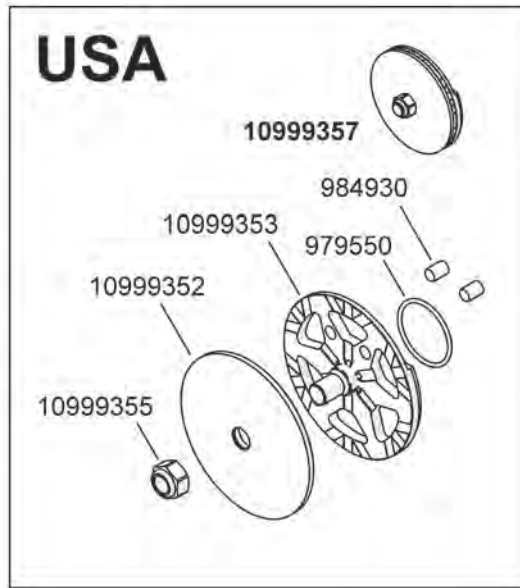
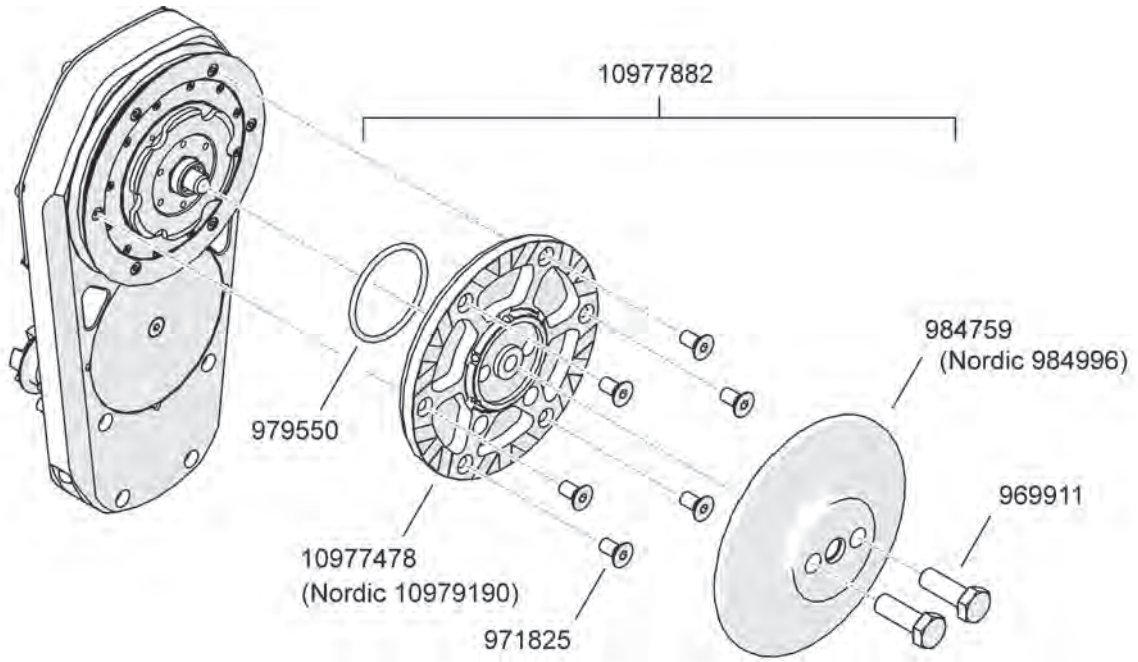


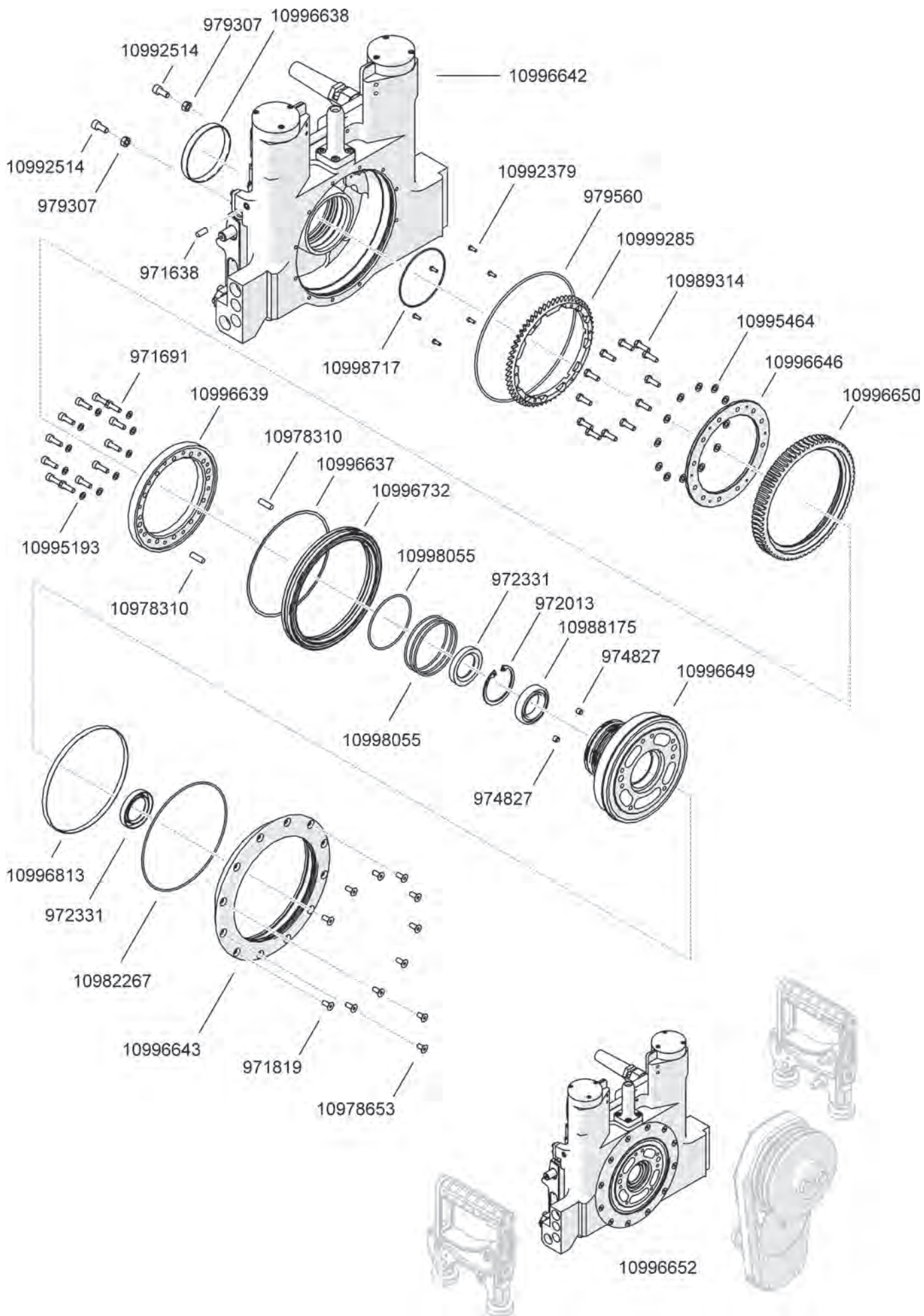


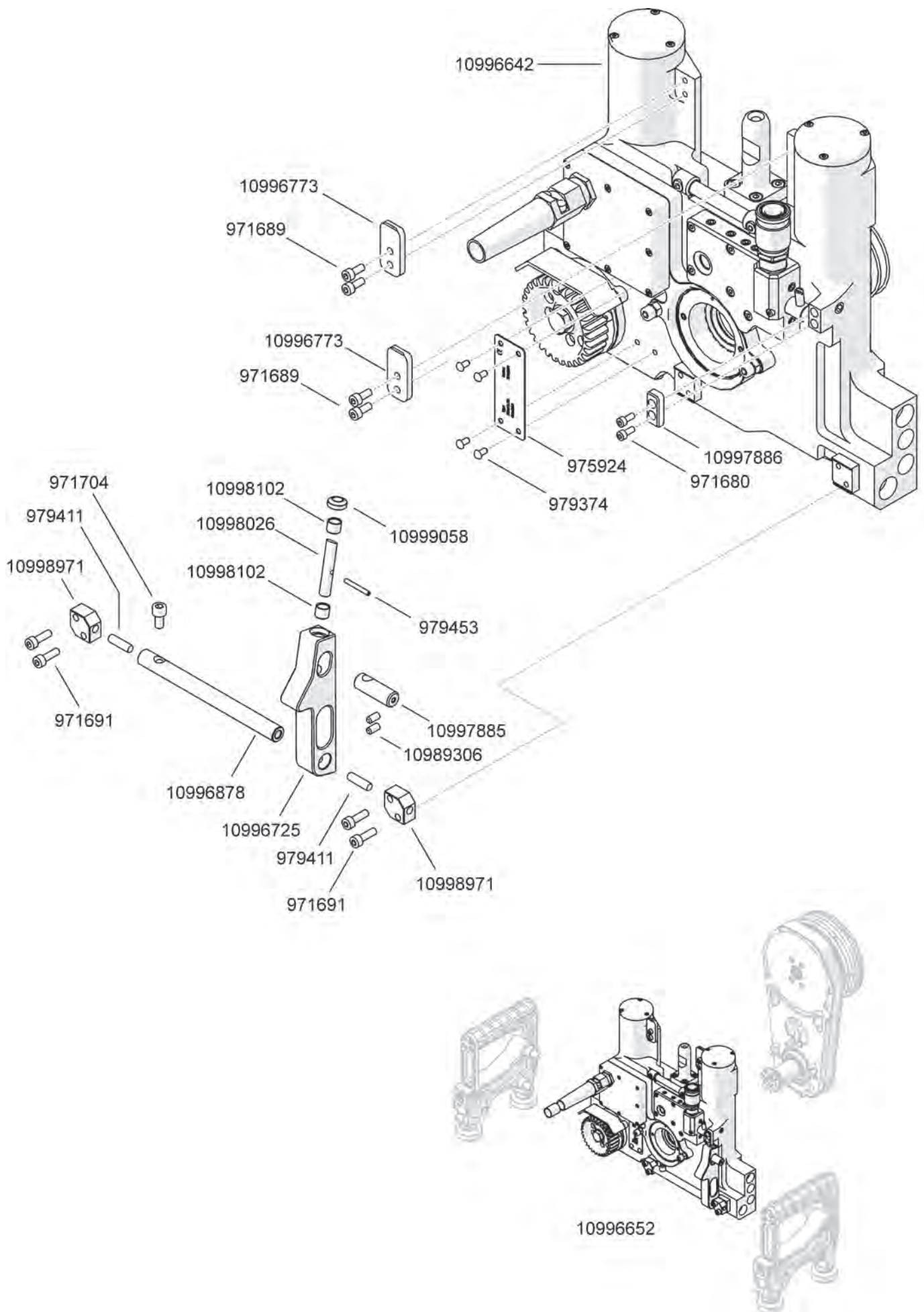




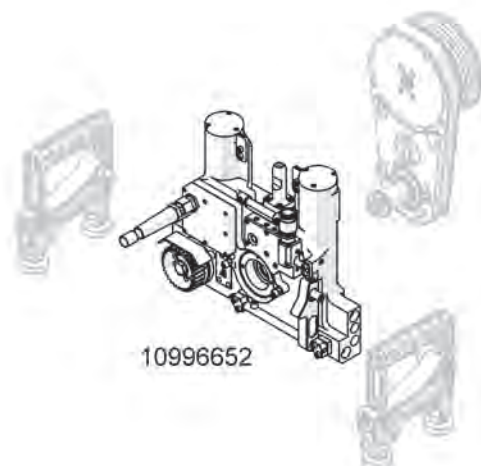
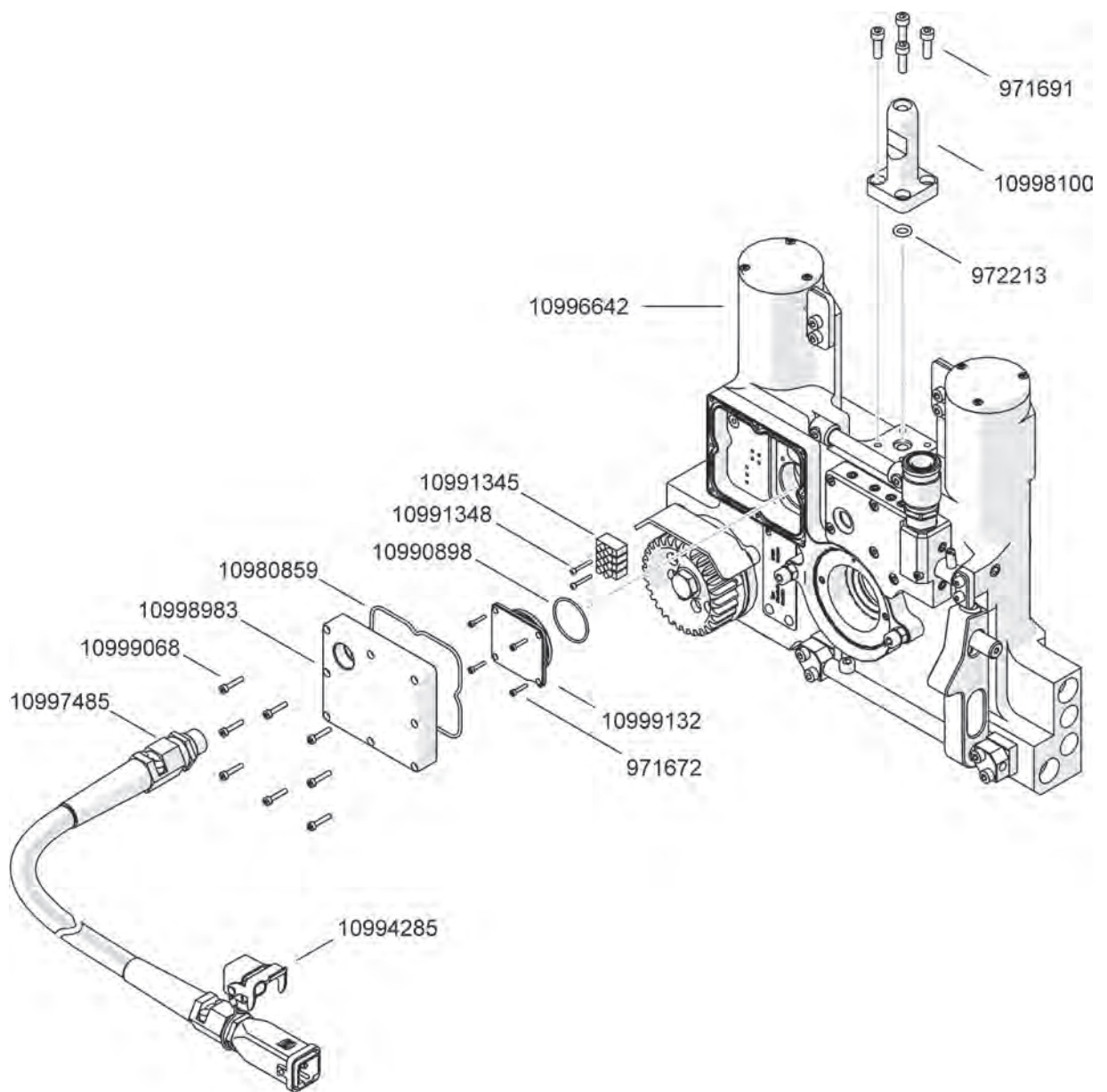




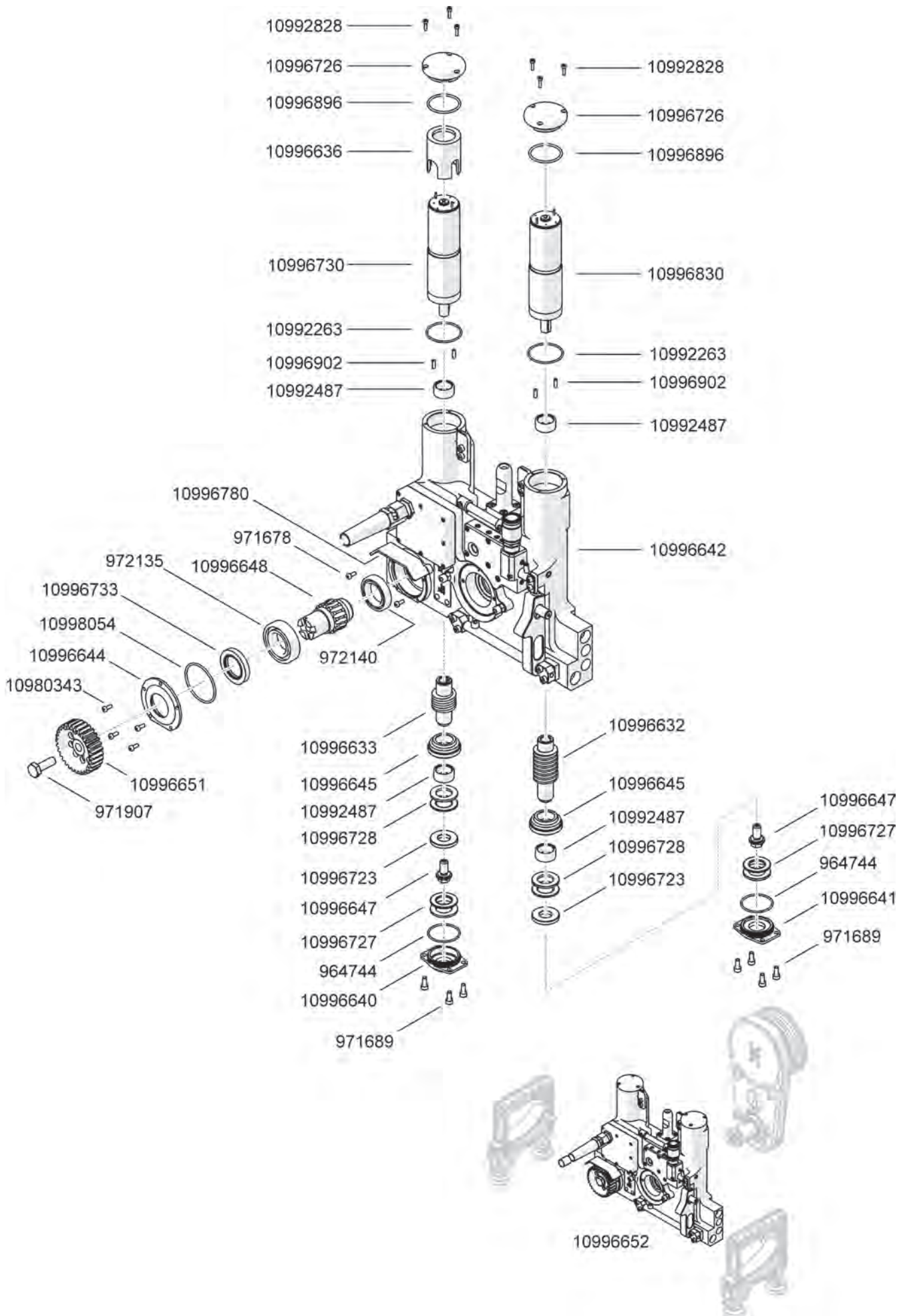


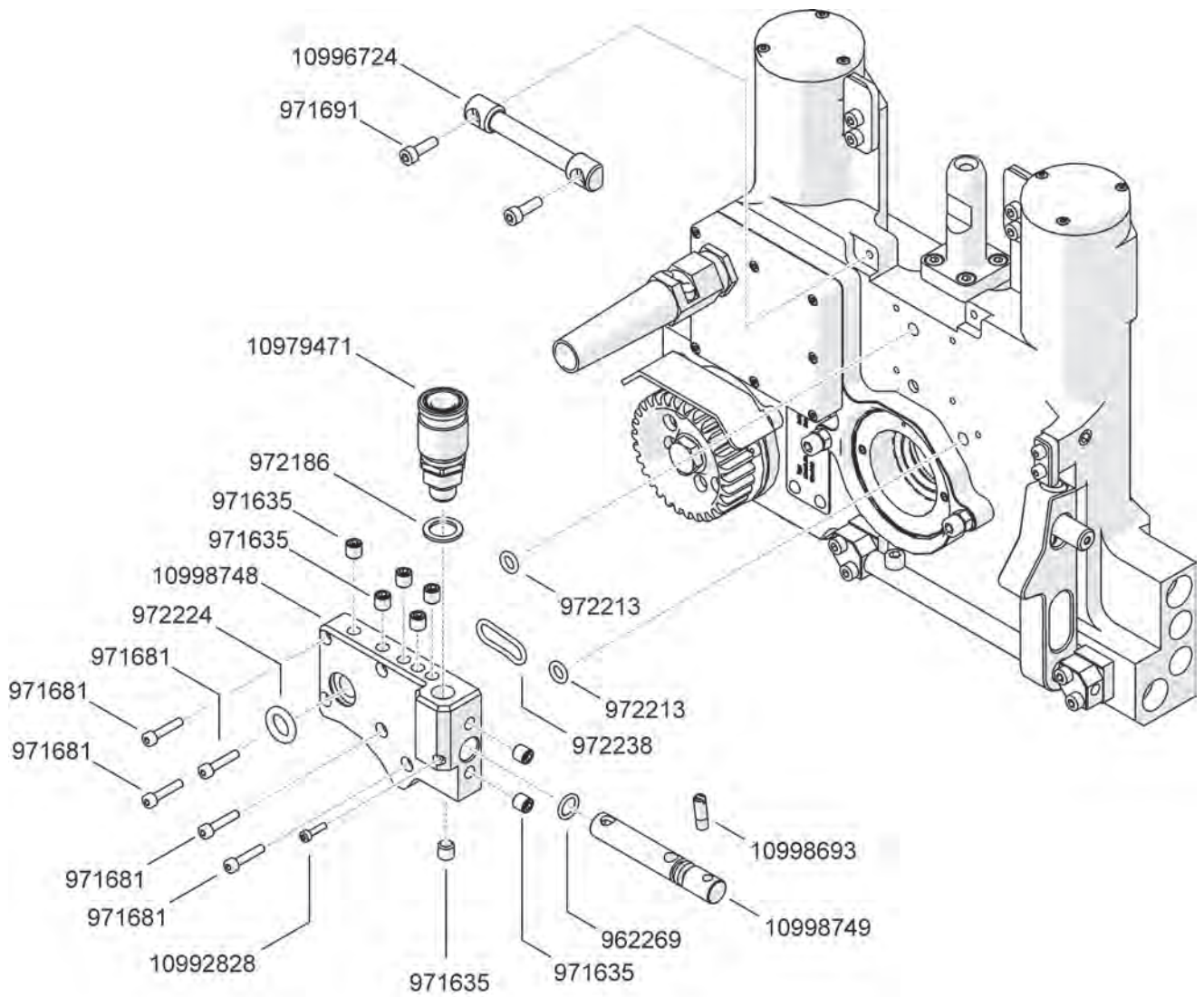












TYROLIT SAP	DP PART #	DESCRIPTION
962269	3404337	O-ring 10.00x2.00 N 70
962271	3404200	O-ring 9.00x1.50 N 70
964744	3404201	O-ring 38.00x2.00 N 70
965991	3404350	O-Ring 17.00x2.00 N 70
968573	3403661	Grooved nail 3x4
969911	3403663	Hex. screw M12x35
971634	3401301	Threaded pin M8x6
971635	3401264	Threaded pin M8x8
971638	3404202	Threaded pin M10x12
971672	3403829	Socket screw M3x6
971675	3404338	Socket screw M4x 5
971676	3404339	Socket screw M4x6
971678	3401361	Socket screw M4x10
971680	3403666	Socket screw M4x16
971681	3403667	Socket screw M4x20
971689	3401858	Socket screw M5x12
971691	3400347	Socket screw M5x16
971693	3403669	Socket screw M5x20
971695	3403670	Socket screw M5x30
971698	3404340	Socket screw M5x45
971702	3400204	Socket screw M6x8
971704	3402011	Socket screw M6x12
971711	3400865	Socket screw M6x25
971715	3400087	Socket screw M6x40
971728	3402018	Socket screw M8x10
971769	3404203	Socket screw M10x50
971809	3400709	Socket screw flhd M6x16
971819	3404006	Countersunk screw M5x12
971820	3402111	Countersunk screw M5x16
971822	3404204	Countersunk screw M6x16
971825	3401900	Countersunk screw M8x16
971907	3404205	Hex. screw M10x30
971998	3402040	Circlip shaft dia 30
972013	3400514	Circlip bore dia 47
972080	3401135	Pr. spring 6.3/0.8x23
972135	3400016	Grooved ball bearing 6006
972140	3404333	Gr. ball bearing 6906
972186	3402099	Copper seal G1/4
972187	3404341	Copper seal G3/8

TYROLIT SAP	DP PART #	DESCRIPTION
972204	3401999	MEGU seal 8.5/13.4x1.00
972213	3401037	O-ring 7.00x2.50 N 70
972224	3404206	O-ring 12.00x4.00 N 70
972238	3400303	O-ring 22.00x2.50 N 70
972283	3404342	O-ring 80.00x2.50 N 70
972316	3401145	Sh.seal A 25/35/7 NBR RF
972331	3400719	Sh.seal A 30/47/7 NBR RF
972337	3400375	Sh. seal A 45/58/7 NBR RF
972461	4600263	Grease nipple D1 M6
973773	3404207	Fork wrench SW 24
973792	3404208	Hex-wrench 6mm
974827	3404335	Threaded pin M6X6
975924	3402010	TY-HS type plate 80x30
977507	3403849	O-ring 100.00x2.00 N 70
979282	3404334	Socket screw M8x12 12.9
979307	2900305	Hexagon nut M6
979330	3404209	Hex. screw M5x12
979374	3403484	Grooved nail 4x6
979411	3403678	Straight pin 6h6 x20 A1
979453	3404210	Rollpin tooth.slot 3x24
979454	3404211	Rollpin tooth.slot 5x34
979550	3401157	O-ring 54.00x4.00 N 70
979560	3404212	O-ring 160.00x2.50 N 70
984759	3403994	Blade cover
984930	3404360	Straight Pin
999496	3401258	Pr. spring 32/2.5x71.5
999621	3403272	Circlip int Ø22 round
999716	3403271	Clamping sleeve
999718	3403270	Hub screw M12x60
10977178	3401260	Spring washer
10977472	3403207	Pr. spring 13.5/0.9x56.7
10977473	3403610	Hub ring
10977478	3403688	Blade flange N-type
10977484	3404213	Threaded pin M4x5
10977882	3401123	Blade flange cpl.
10978345	3403697	Rollpin tooth.slot 5x30
10978647	3403621	Drain plug w.magnet 1/4
10978653	3404214	Countersunk screw M5x10
10978702	3404343	Countersunk screw M3x10



TYROLIT SAP	DP PART #	DESCRIPTION
10979471	3403707	Coupling LP-006-0-WR013
10979735	3403722	Hose nip. LP-006-1-SL01
10980265	3403217	Hex-wrench 10mm
10980343	3403508	Socket screw flhd M4x10
10980344	3404215	Allen screw flat h. M5x16
10980763	3403726	Curved spring washer M4
10980859	3404216	O-Ring 92.00x2.00 N 70
10981565	3404217	Safety sign ST
10982267	3404218	O-ring 135.00x2.50 N 70
10982724	3401307	Torque wrench cpl.
10987286	3403744	O-ring 5.00x1.50 N 70
10988170	3403746	Socket screw M3x20 12.9
10988684	3404219	Straight pin 8m6 x 32
10988768	3403747	Serrated washer M4
10988872	3403749	TY-HS type plate 38x30
10989306	3404220	Threaded pin M5x10
10989314	3404221	Hex. screw M5x16
10989493	3404344	O-ring 28.00x1.00 N 70
10990898	3404222	O-ring 30.00x1.50 N 70
10990902	3404223	O-ring 54.00x2.00 N 70
10991344	3404345	Terminal block 3pole/4mm <sup>2</sup>
10991345	3403816	Terminal block 4pole/1mm <sup>2</sup>
10991346	3403657	O-ring 140.00x2.00 N 70
10991348	3403794	Socket screw M2x16 12.9
10992137	3404224	Straight pin 5m6 x 20
10992263	3404257	O-ring 42.00x2.00 N 70
10992281	3404346	O-ring 120.00x1.50 N 70
10992487	3404225	Needle bush HK 2012
10992514	3404226	Socket screw M6x14
10992828	3404227	Socket screw M3x12
10994071	3404347	Grooved ball bear. 16006
10994285	3401447	Cover cap pin insert
10994306	3404348	Cover cap
10994399	3404228	Magnet dia6x2.5
10994585	3404229	PT screw K40x20 counters.
10994673	3404230	Straight pin 5h6 x 18
10995193	3404148	Washer Nord-Lock M5
10995464	3404259	Washer M5 5.3/10/1.0
10995477	3404260	Hex. screw M6x16

TYROLIT SAP	DP PART #	DESCRIPTION
10995815	3404351	Plug screw M16x1.5
10996587	3404231	Excentric bolt
10996588	3404232	Roller bolt
10996591	3404261	Finger handle
10996593	3404233	Roller assy
10996594	3404234	Latch
10996595	3404235	Flat spring
10996596	3404236	Lever front
10996597	3404262	Lever rear
10996599	3404263	Swivel bearing
10996600	3404264	Roller support
10996602	3404265	Roll holder right assy
10996603	3404266	Roll holder left assy
10996604	3404352	Pressure disc
10996606	3404353	Brake disc outside
10996608	3404349	Sliding ring
10996610	3404354	Clutch disc inside
10996611	3404355	Brake disc
10996614	3404356	Clutch disc outside
10996622	3404267	Cover
10996623	3404268	Sealing sleeve
10996624	3404269	Bearing clamping ring
10996625	3404270	Blade hub
10996626	3404271	Pinion shaft
10996627	3404272	Housing
10996628	3404273	Side cover
10996629	3404274	Gear wheel blade hub
10996630	3404275	Intermediate gear
10996631	3404276	Swivel arm assy
10996632	3404277	Worm gear swivel drive
10996633	3404278	Worm gear feed drive
10996636	3404279	Spacer tube
10996638	3404237	Slide bearing
10996639	3404280	Clamping ring
10996640	3404281	Bearing cover feed drive
10996641	3404282	Bearing cover swiv. drive
10996642	3404283	Base body
10996643	3404284	Bearing cover large
10996644	3404285	Bearing cover small

TYROLIT SAP	DP PART #	DESCRIPTION
10996645	3404286	Bearing bush
10996646	3404287	Clamping ring
10996647	3404288	Screw
10996648	3404289	Worm wheel feed drive
10996649	3404290	Swivel flange
10996650	3404291	Worm wheel swivel drive
10996651	3404238	Drive pinion z26
10996652	3404292	Feed drives assy
10996723	3404293	Shaft washer
10996724	3404294	Crossbar
10996725	3404295	Lever
10996726	3404296	Cover
10996727	3404297	Needle cage AXK 2035
10996728	3404298	Housing disk GS81104
10996730	3404239	Gear motor 150W 36V i=53
10996732	3404299	Four point bear.LER3-0140
10996733	3404300	Shaft seal 30/47/7 NBR AS
10996734	3404301	Sim.ring 85/100/7-8 FKM
10996735	3404302	Gr. ball bearing 61912
10996737	3404303	Handle
10996739	3404240	Bear. bush BP25 12/15x12
10996740	3404241	Bear. bush BP25 12/15x12
10996741	3404242	Bear. bush BP25 12/16x12
10996773	3404304	Holder top
10996780	3404305	Protecting sheet
10996790	3404306	Protecting ring
10996813	3404243	Sliding ring
10996830	3404244	Gear motor 150W 36V i=66
10996874	3404245	Drill socket 12/18x20
10996878	3404246	Clamping shaft
10996893	3404307	Circlip shaft dia 60
10996896	3404308	O-ring 38.00x2.50 N 70
10996902	3404309	Shaft screw M4x12
10997485	3404247	Feed wire assy external
10997839	3404311	Spacer ring
10997840	3404312	Protecting ring
10997841	3404313	Counters.scr.cros.sl.M3x6
10997842	3404314	Ang. ball bear. 71816
10997885	3404248	Release knob

TYROLIT SAP	DP PART #	DESCRIPTION
10997886	3404315	Fixing plate
10997919	3404316	Claw coupling
10998009	3404249	Sliding ring
10998026	3404250	Latch
10998054	3404317	O-ring 55.00x2.00 N 70
10998055	3404318	O-ring 66.00x2.00 N 70
10998100	3404251	Pin
10998102	3404252	Slide bush W300 8/10x8
10998122	3404319	Staight pin 4h6 x 14
10998303	3404320	Countersunk screw M3x12
10998693	3404321	Shaft screw M6x20
10998717	3404322	O-ring 72.00x1.50 N 70
10998748	3404323	Valve housing
10998749	3404324	Valve spool
10998856	3404325	Washer Nord-Lock M6
10998971	3404326	Bearing block
10998983	3404253	Electrics cover S
10998995	3404327	Plug screw M5x0.5
10999058	3404254	Scraper ring dia 08/14/05
10999068	3404255	Socket screw M3x20
10999132	3404328	Cover
10999261	3404329	Socket screw M2.5x16 12.9
10999266	3404256	Swivel pin 12g6x35/se.r.
10999285	3404330	Sensor Gear wheel z60
10999295	3404331	Straight pin 6h6 x 18
10999352	3404366	Blade Cap
10999353	3404365	Blade Flange USA
10999355	3404367	Locking nut 3/4 UNC
10999357	3404361	Blade Flange ST USA CPL.
10999385	3404332	Bearing spacer ring



## NOTES