



**HYDROSTRESS
PARTS LIST**

**WSE2226
WALL SAW**

SEPTEMBER, 2024

Table of Contents

<u>Description</u>	<u>Page No.</u>
1. Breakdown	4-24
2. Notes	26
3. Warranty.....	28

10991969-3403338

10999292

3403930-10991251

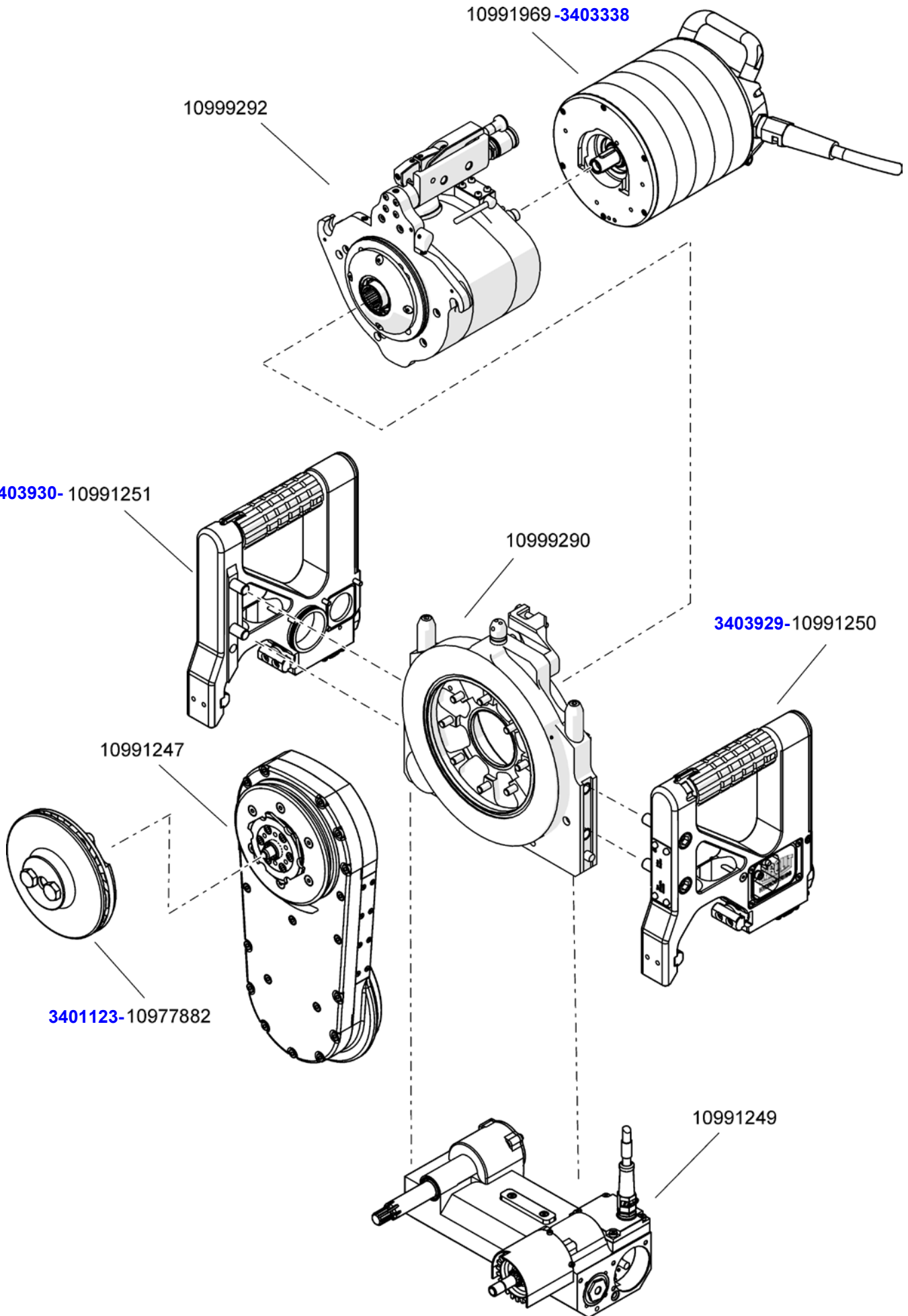
10999290

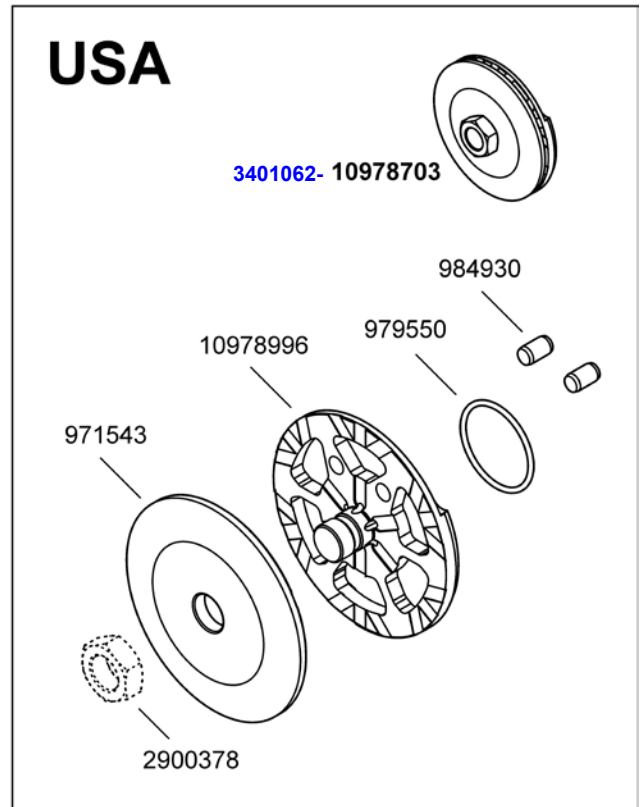
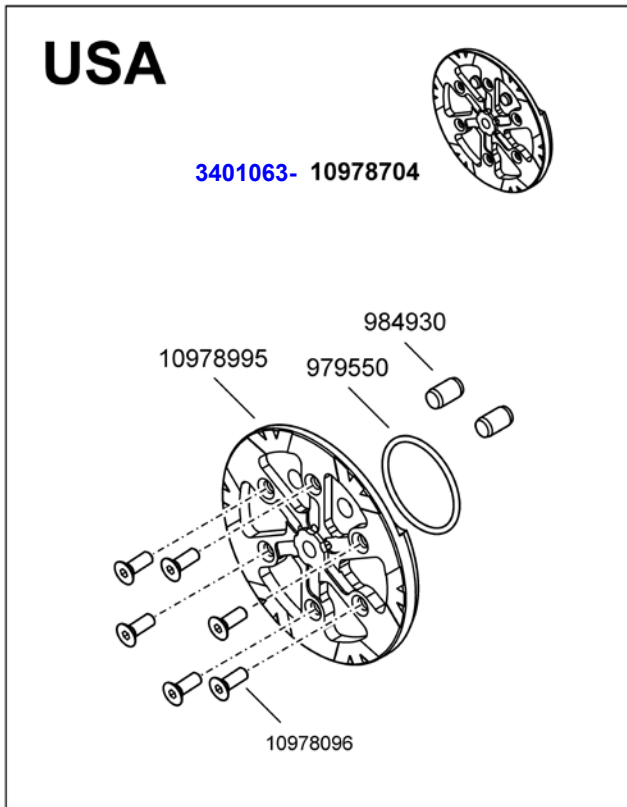
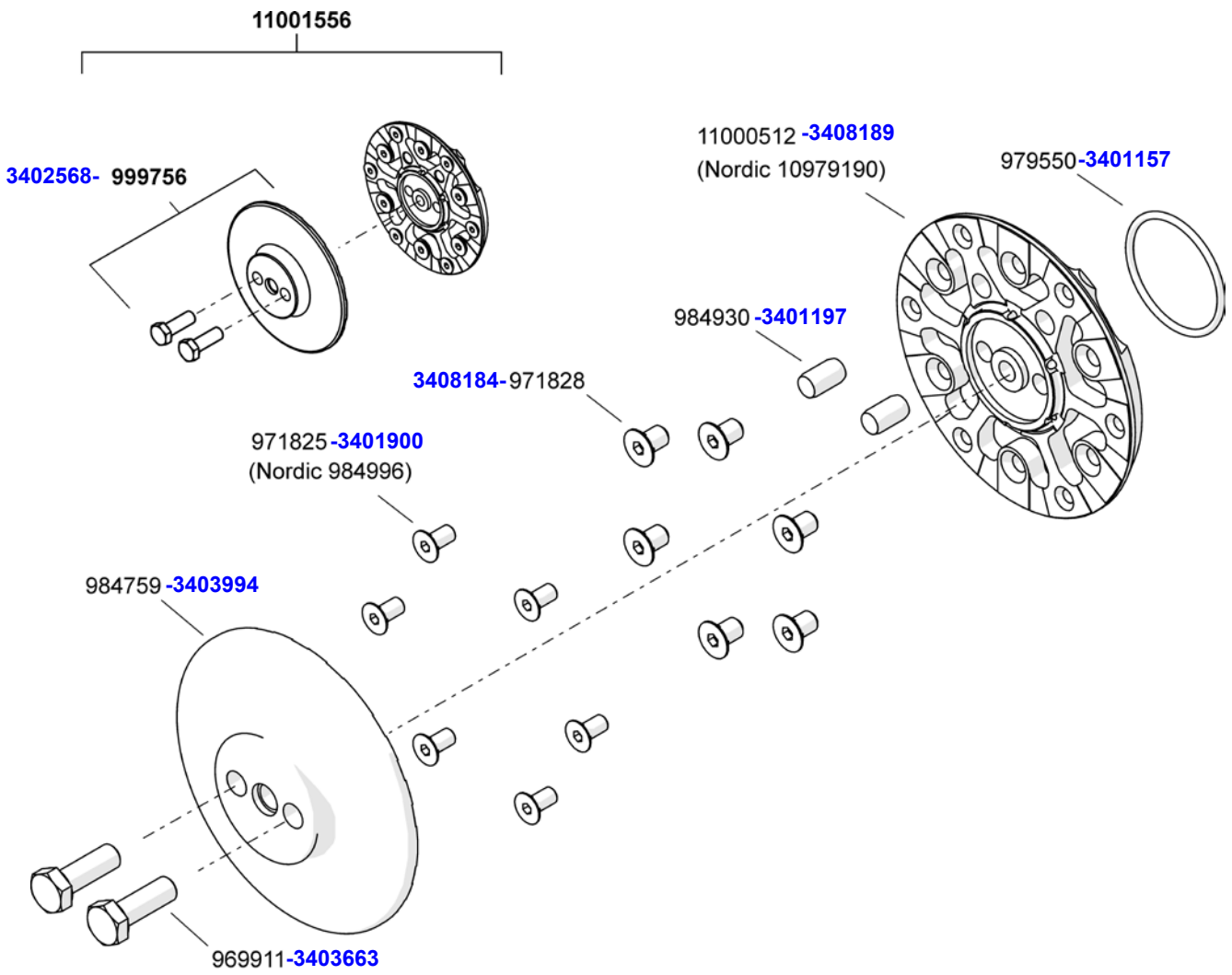
3403929-10991250

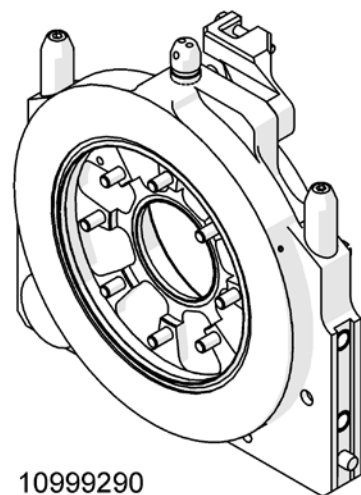
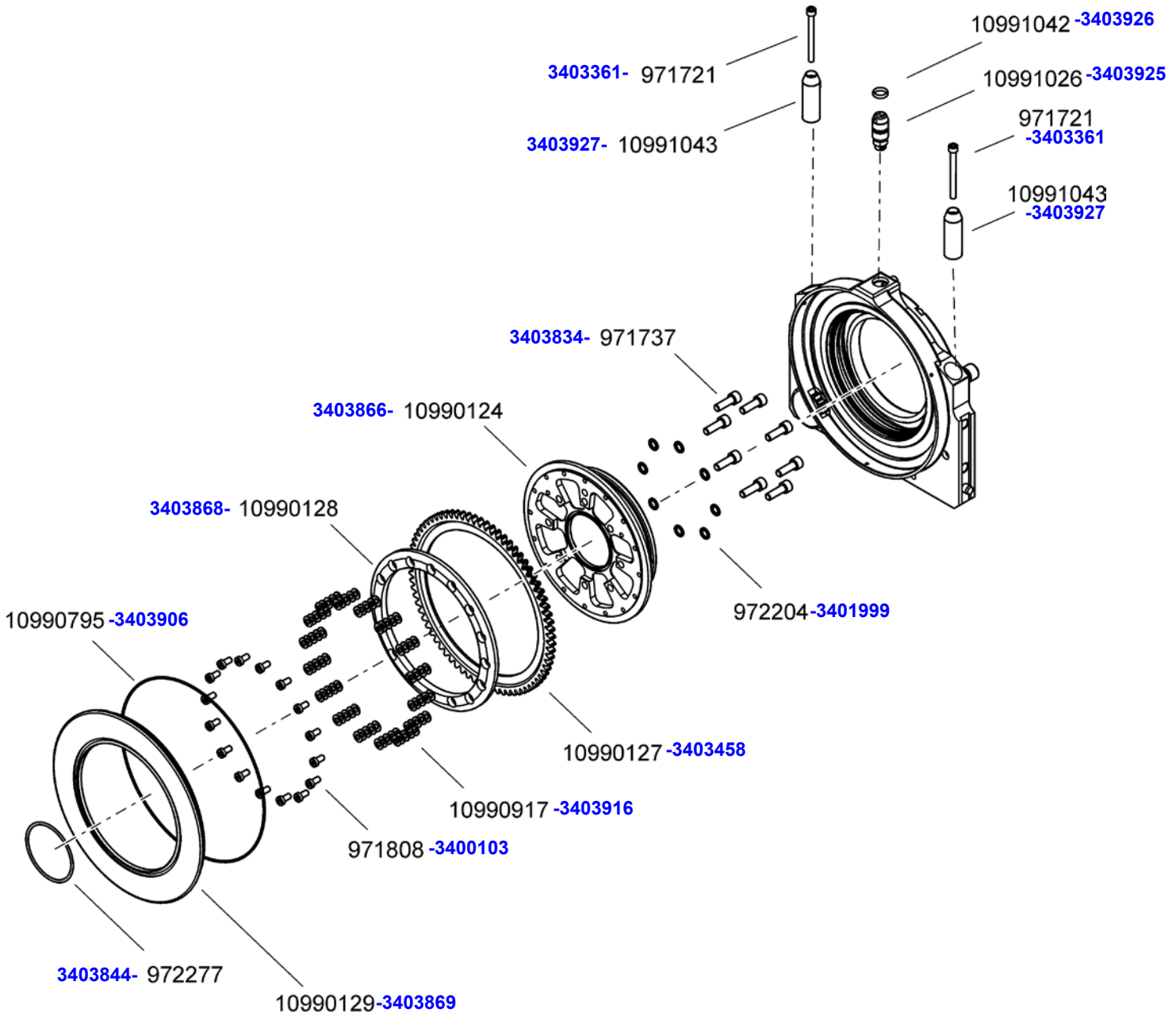
10991247

3401123-10977882

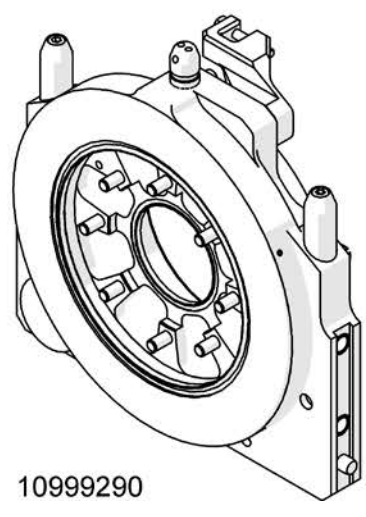
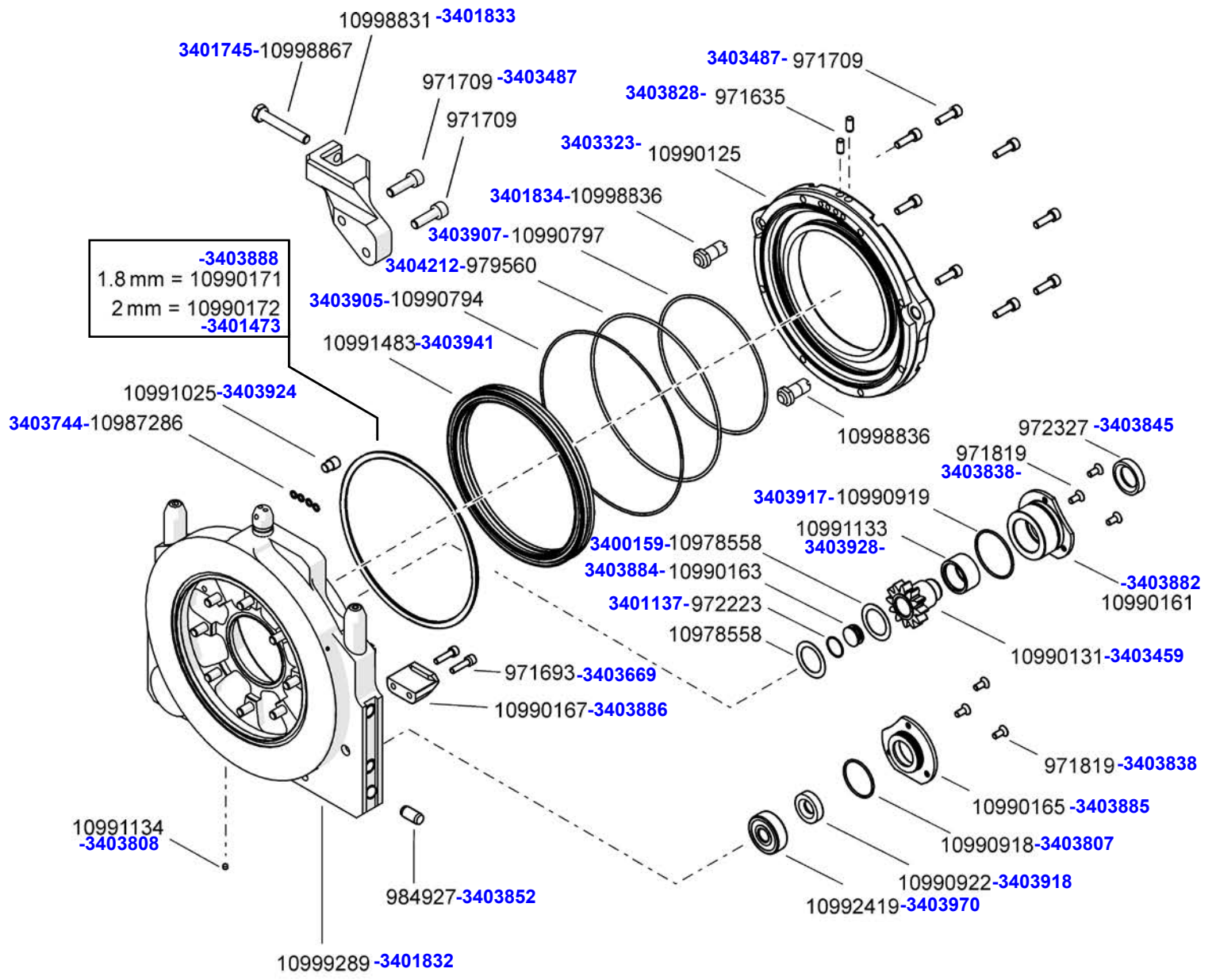
10991249







10999290



3408188-11000240



3403593-10990915

3403593-10990915

3403819-10990859

3403820-10990912

3403839-971823

3403605-10990851

10978876-3403307

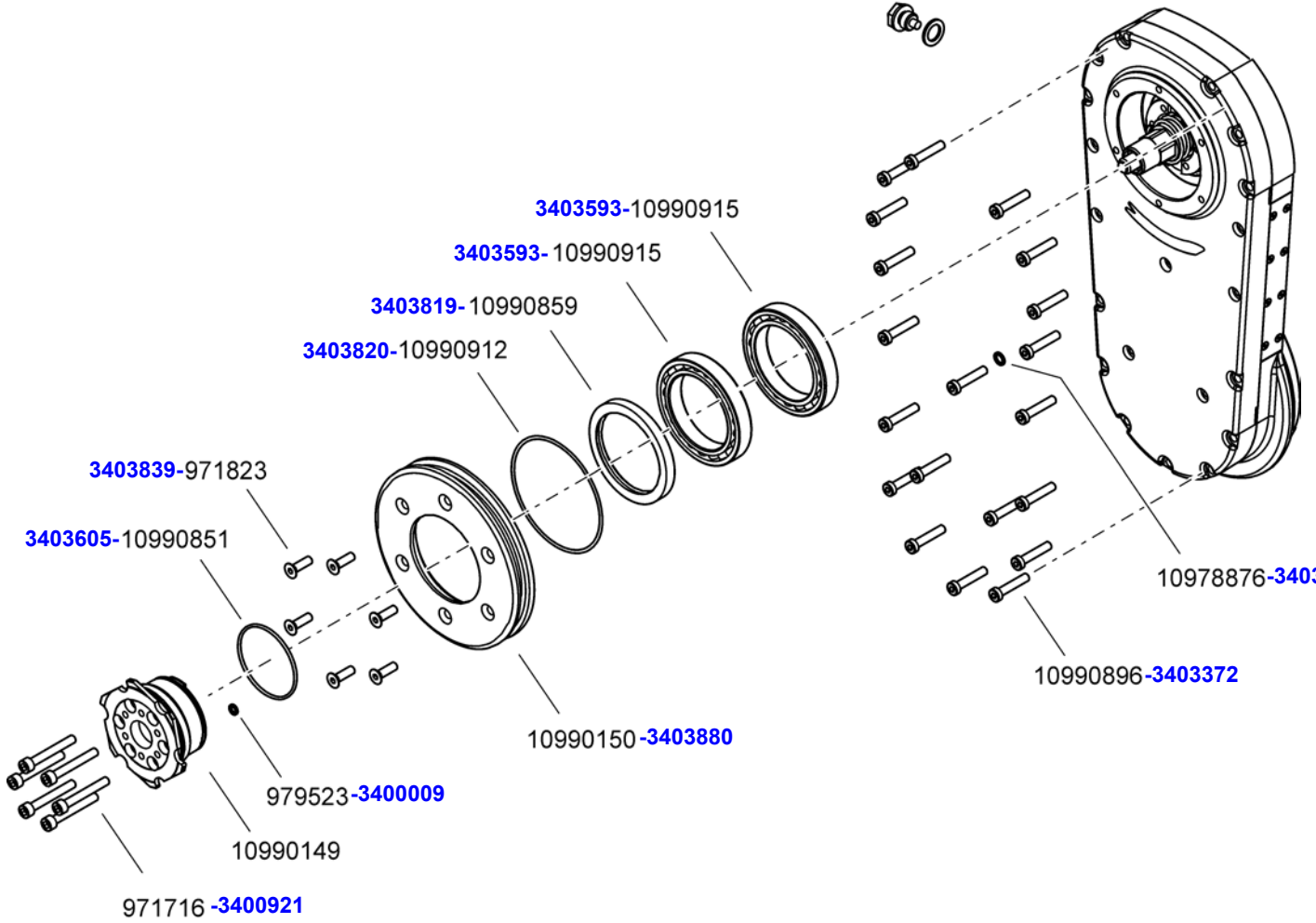
10990896-3403372

10990150-3403880

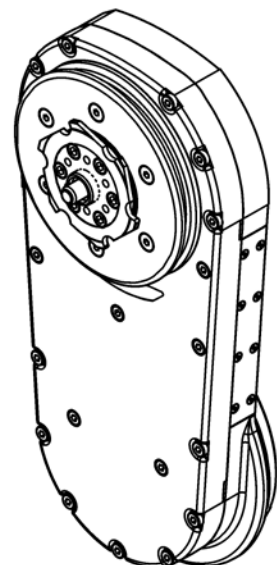
979523-3400009

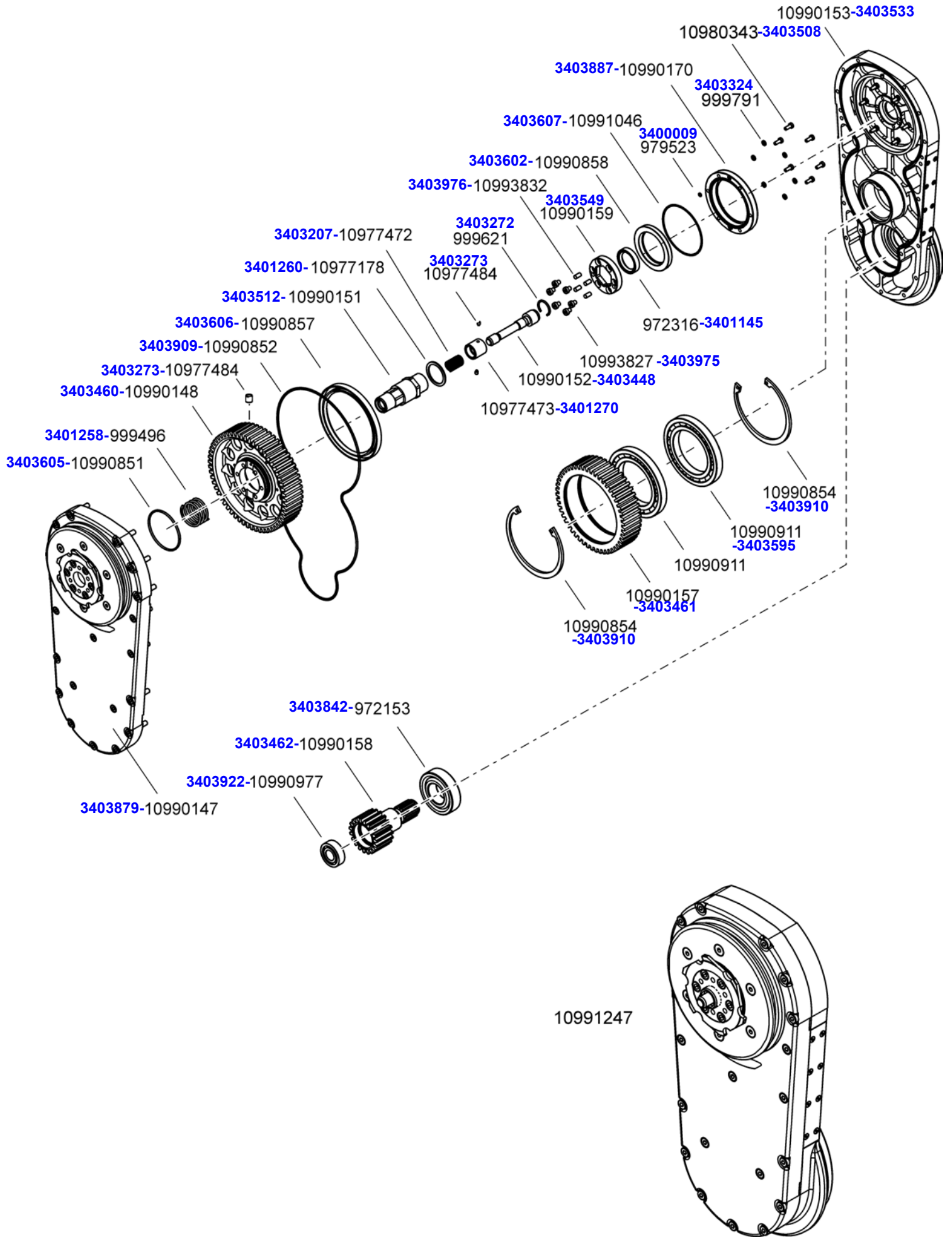
10990149

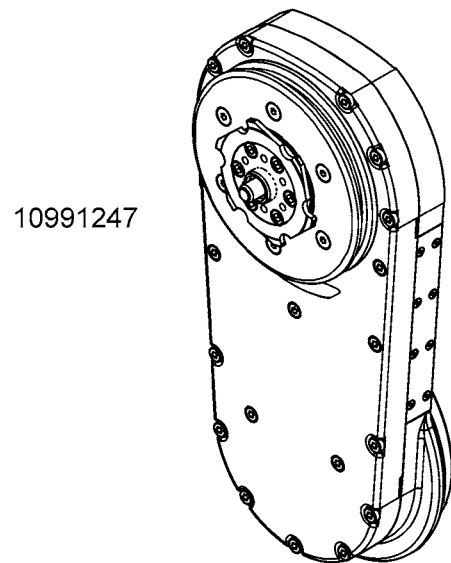
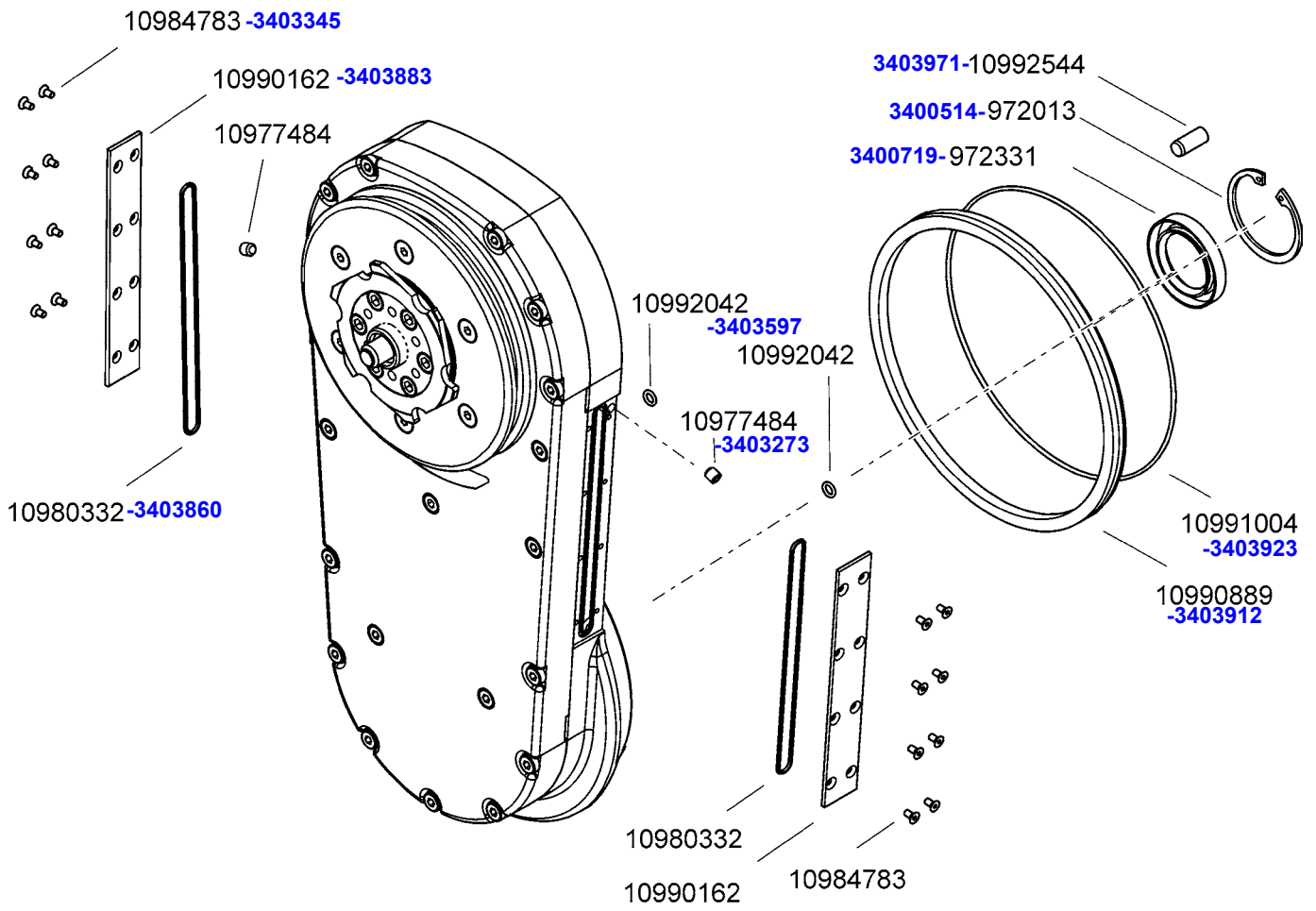
971716-3400921

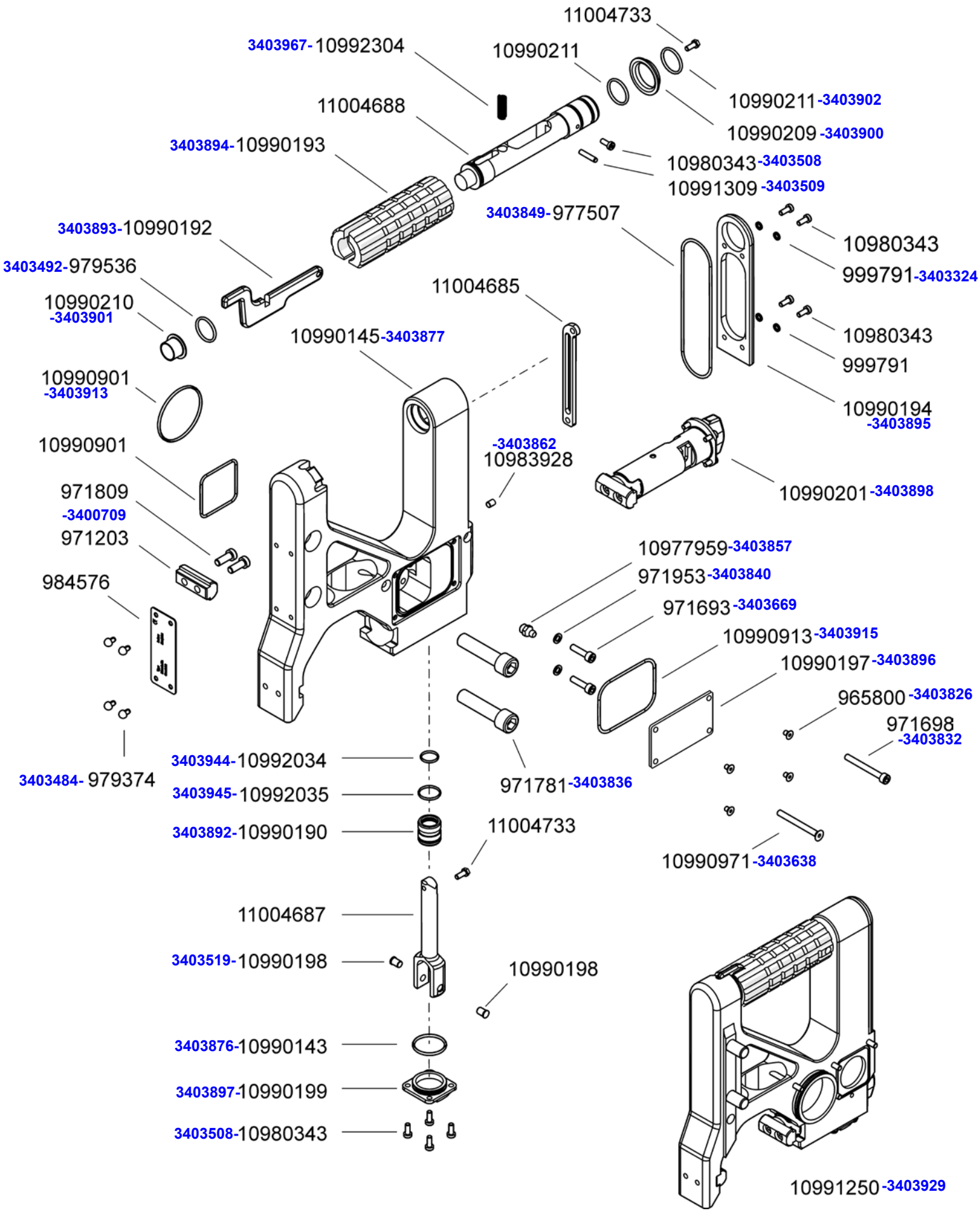


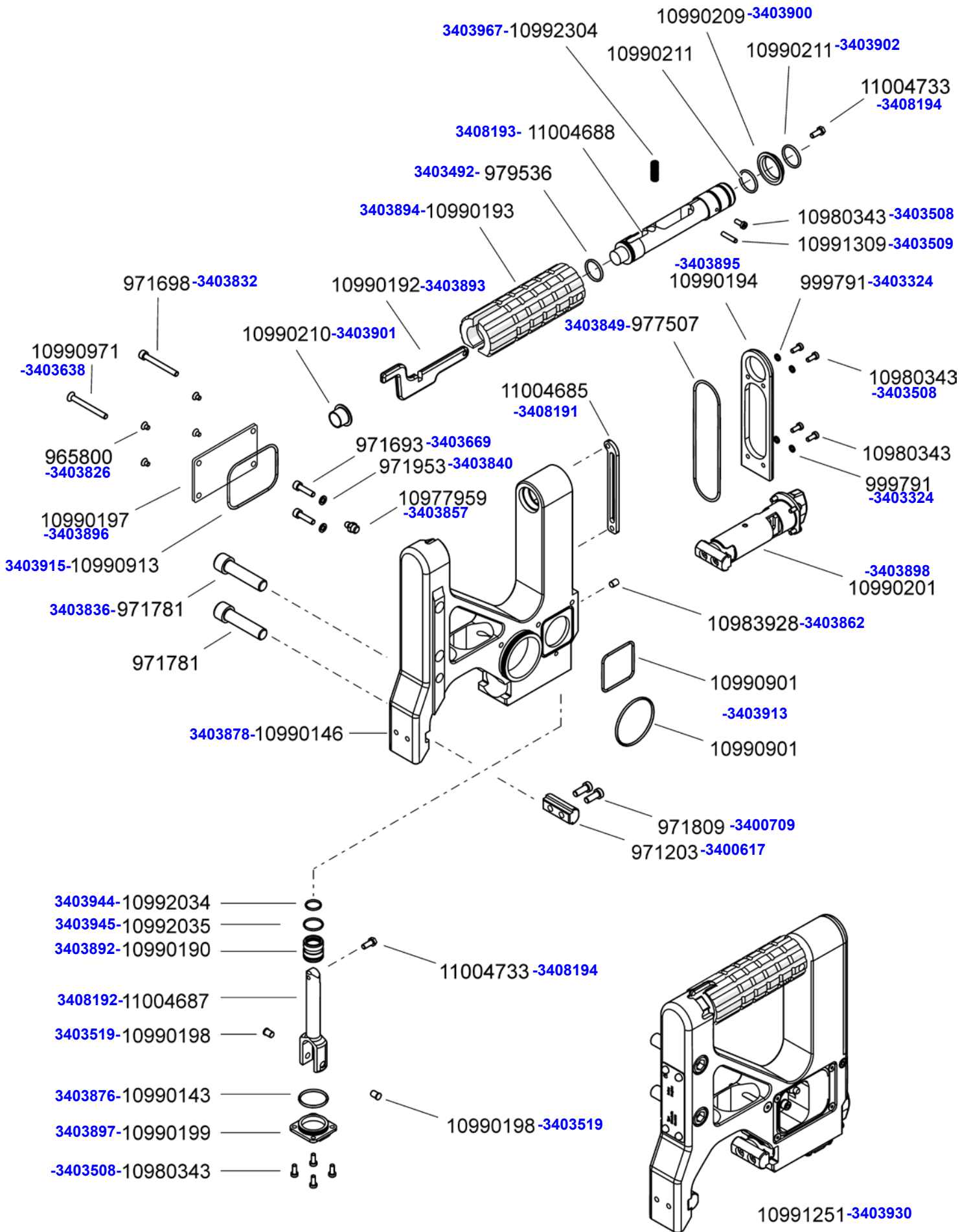
10991247

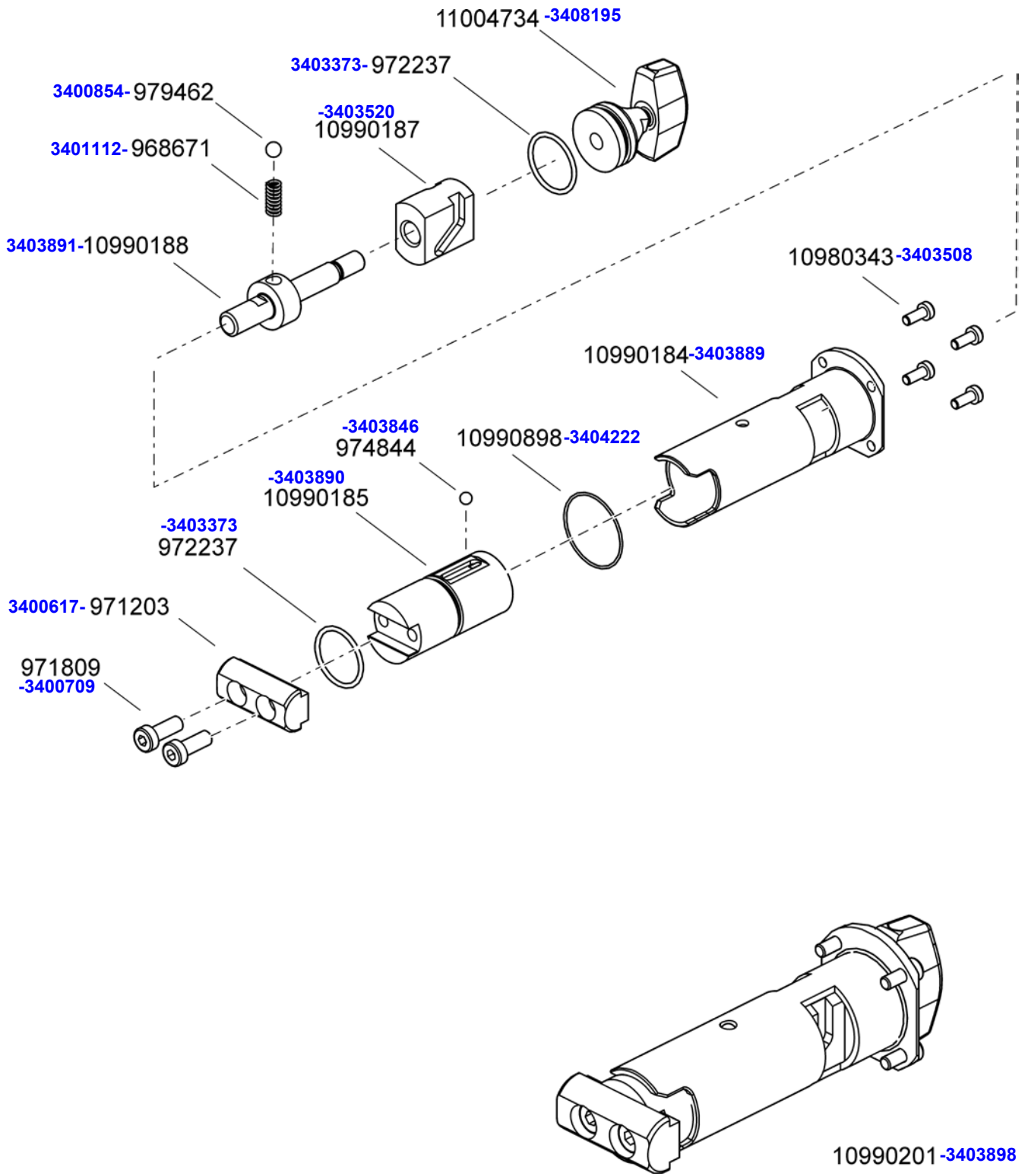


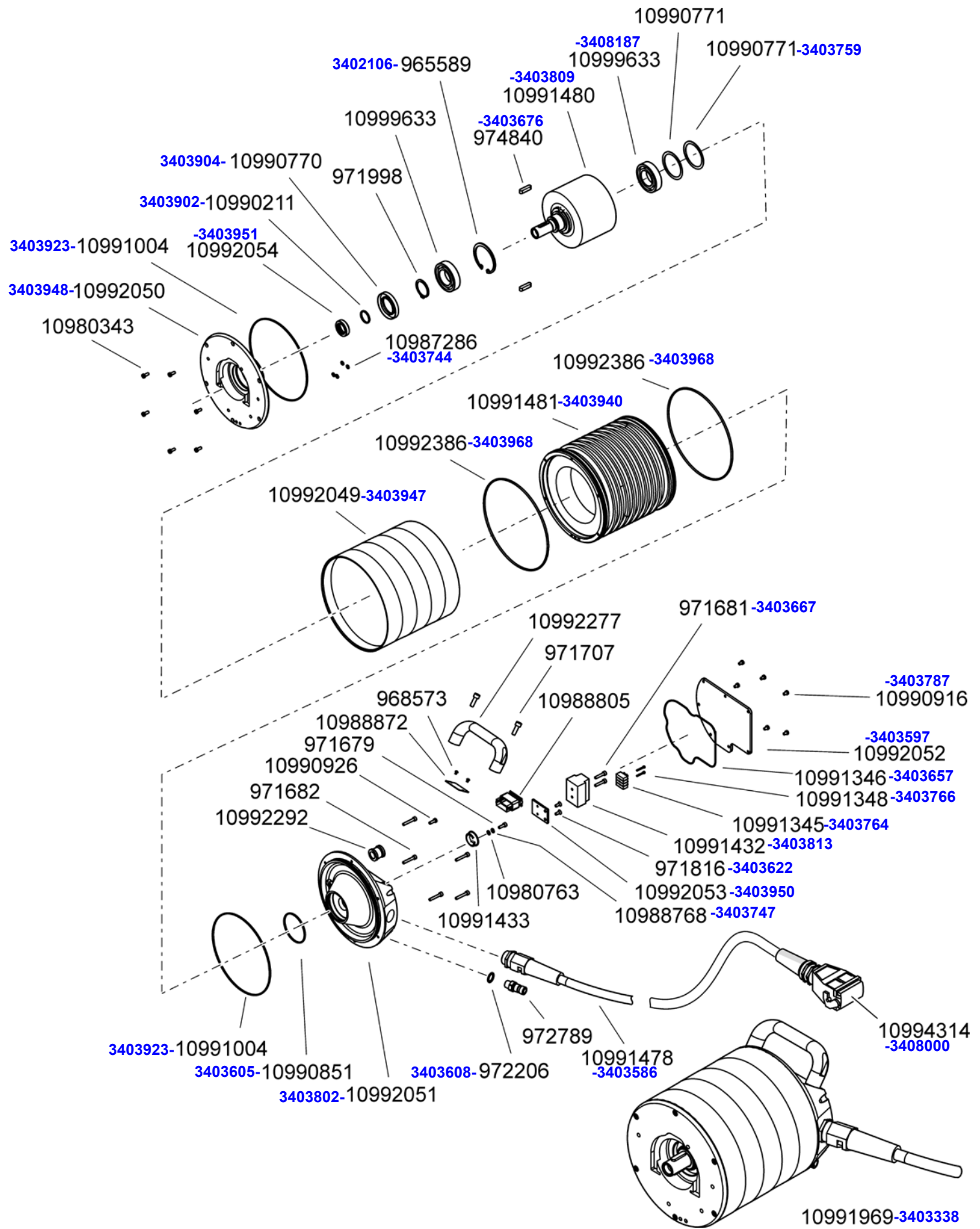


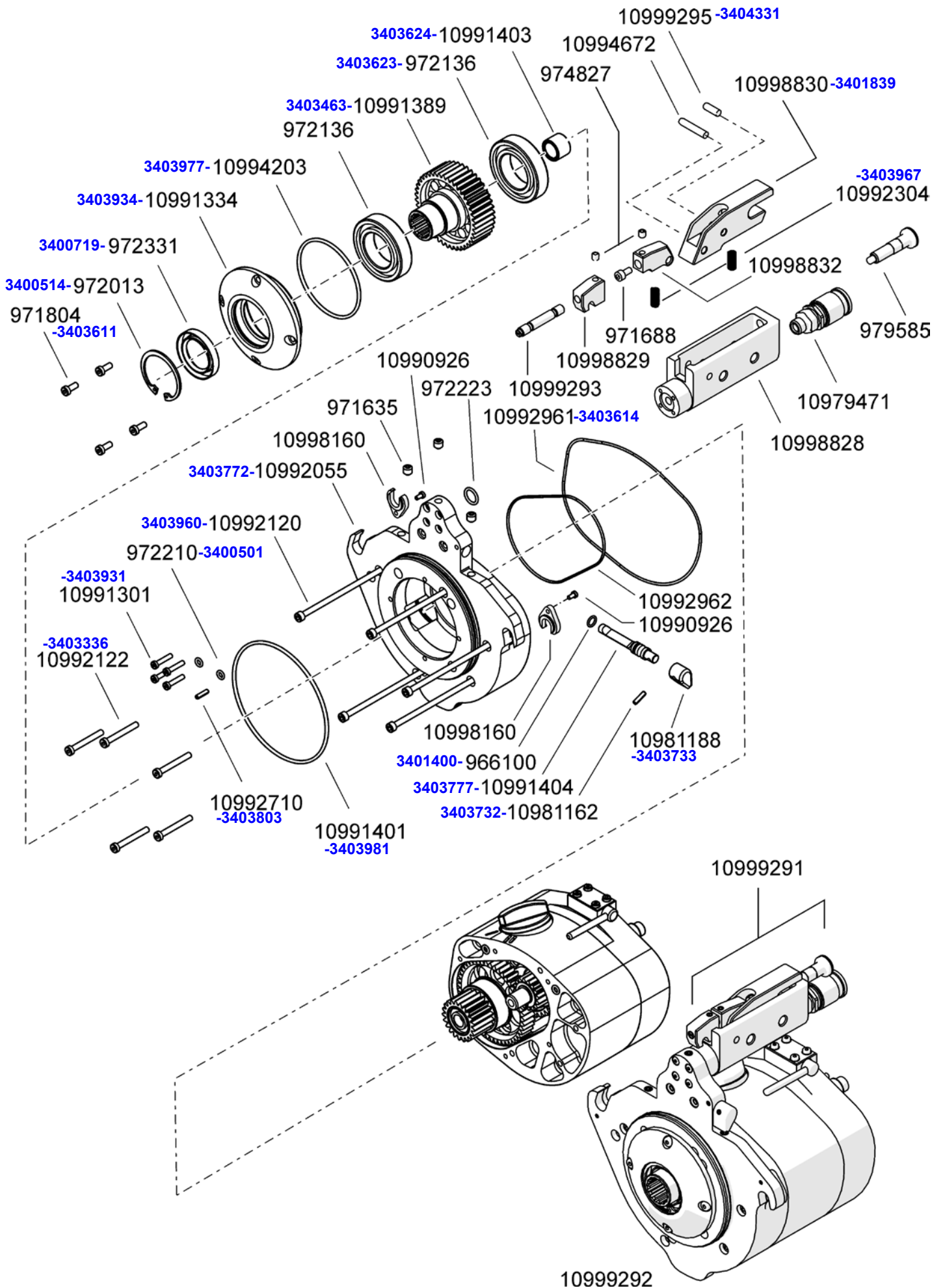


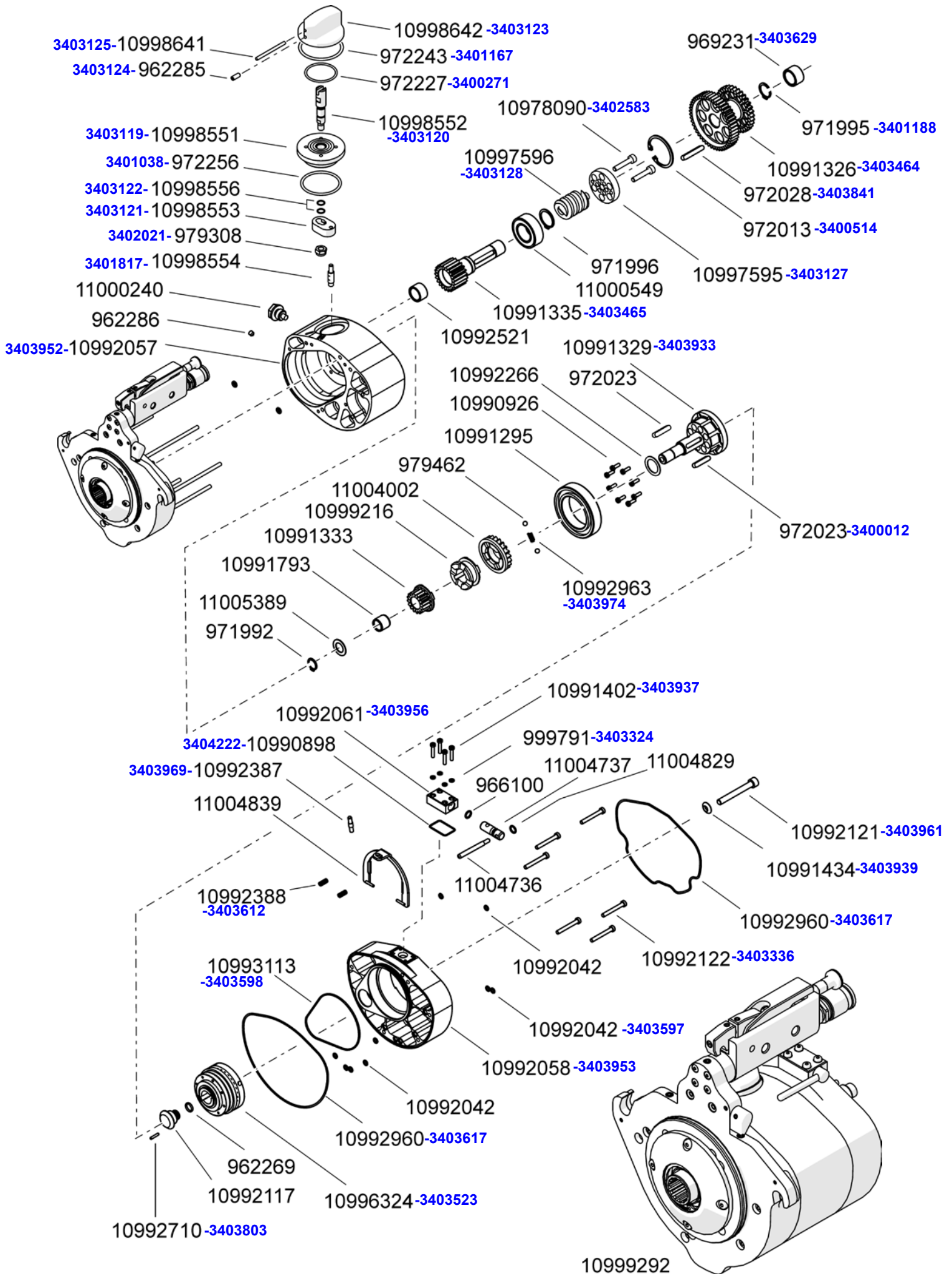












TYROLIT #	DP #	DESCRIPTION
962269	3404337	O-ring 10.00x2.00 N 70
962285	3403124	Threaded pin M4x10
965589	3402106	bore dia 55
965643	3403825	Bag PE 115x155/0.075
965800	3403826	Countersunk screw M4x6
966100	3401400	O-ring 8.00x2.00 N 70
968573	3403661	Grooved nail 3x4
968671	3401112	Pr. Spring 5/1.0x17
969231	3403629	Needle bush HK 2016
969911	3403663	Hex. screw M12x35
971203	3400617	Guiding prism bronze
971635	3403828	Threadedpin M8x8
971672	3403829	Socket screw M3x6
971679	3403830	Socket screw M4x12
971681	3403667	Socket screw M4x20
971682	3403831	Socket screw M4x25
971688	3403668	Allen head screw M5x10
971693	3403669	Socket screw M5x20
971698	3403832	Socket screw M5x45
971707	3403833	Socket screw M6x18
971709	3403487	Socket screw M6x20
971716	3400921	Socket screw M6x45
971721	3403361	Socket screw M6x65
971737	3403834	Socket screw M8x25
971779	3403835	Socket screw M12x35
971781	3403836	Socket screw M12x45
971804	3403611	Socket screw flhd M5x12
971805	3403837	Socket screw flhd M5x20
971808	3400103	Socket screw flhd M6x12
971809	3400709	Socket screw flhd M6x16
971816	3403622	Countersunk screw M4x10
971819	3403838	Countersunk screw M5x12
971823	3403839	Countersunk screw M6x20
971825	3401900	Countersunk screw M8x16
971828	3408184	Countersunk screw M10x16
971953	3403840	Washer M5
971992	4600241	Circlip shaft dia 15
971993	3403159	Circlip shaft dia 16
971995	3401188	Circlip shaft dia 20
971996	3400807	Circlip shaft dia 25
971998	3402040	Circlip shaft dia 30
972006	3400515	Circlip bore dia 21
972013	3400514	Circlip bore dia 47
972023	3400012	Shaft key 5x5x25
972028	3403841	Shaft key 6x6x40
972136	3403623	Gr. ball bearing 6007
972140	3400269	Gr. ball bearing 6906
972153	3403842	Gr. ball bear. 6206-2RS
972179	3400516	Ang.b.bear. 3203/5203-2RS

TYROLIT #	DP #	DESCRIPTION
972204	3401999	MEGU seal 8.5/13.4x1.00
972206	3403608	MEGU seal 13.8/18.7x1.25
972210	3400501	O-ring 5.00x2.50 N 70
972213	3401037	O-ring 7.00x2.50 N 70
972223	3401137	O-ring 12.00x2.50 N 70
972227	3400271	O-ring 16.00x2.50 N 70
972237	3403373	O-ring 22.00x2.00 N 70
972243	3401167	O-ring 25.00x2.50 N 70
972256	3401038	O-ring 36.00x2.50 N 70
972277	3403844	O-ring 68.00x2.50 N 70
972316	3401145	Sh.seal A 25/35/7 NBR RF
972327	3403845	Sh.seal A 20/32/7 NBR RF
972331	3400719	Sh.seal A 30/47/7 NBR RF
972789	3400257	Plug nipple 1/4" A1-WRO13
974827	3401301	Slotted set screw M6x6
974840	3403676	Shaft key 6x6x25
974844	3403846	Ball dia 4.762
975924	3402010	TY-HS type plate 80x30 HS
976086	3403847	brand sign 90x20 Circlip
976426	3403848	shaft dia 14
977507	3403849	O-ring 100.00x2.00 N 70
979308	3402021	Lock nut M6 thin head
979374	3403484	Grooved nail 4x6
979378	3403851	Circlip shaft dia 12
979462	3400854	Ball dia 6
979523	3400009	O-ring 3.00x1.50 N 70
979536	3403492	O-ring 20.00x2.00 N 70
979550	3401157	O-ring 54.00x4.00 N 70
979560	3404212	O-ring 158.42x2.62 N 70
979585	3408139	Locking bolt M10 Dm6
980225	3403681	Cable tie TY24MX140x3.6
984759	3403994	Blade cover
984927	3403852	Str. pin 10h8 x 20 RF
984930	3401197	Straight pin 12m6 x 20
999496	3401258	Pr. spring dia32/2.5x71.5
999621	3403272	Circlip int Ø22
999756	3402568	Blade Cover Flange
999791	3403324	MEGU seal 4.5/7.0x1.00
10977101	3403855	Transparent case A6
10977178	3401260	Spring washer
10977472	3403207	Pr. spring 13.5/0.9x56.7
10977473	3401270	Hub ring
10977478	3403688	Blade Flange N-type
10977484	3403273	Threaded pin M4x5
10977882	3401123	Flange, 60mm Arbor, Complete
10977959	3403857	Grease nipple H1 M8
10978090	3402583	Socket screw M3x16
10978096	3408198	Counter Sunk Screw 5/16-18x1"
10978558	3400159	Distance washer 25/35/0.5

TYROLIT #	DP #	DESCRIPTION
10978876	3403307	MEGU seal 6.7/10.0x1.00
10979011	3403858	Gear oil Klüber EG 4-150
10979471	3403707	Coupling LP-006-0-WR013
10980332	3403860	O-ring 90.00x1.50 N 70
10980343	3403508	Socket screw lhd M4x10
10980763	3403726	Curved spring washer M4
10981162	3403732	Coiled spring pin 4x14
10981188	3403733	Turning knob
10981565	3404217	Safety sign ST
10982722	3403979	Torque wrench 60Nm 1/2"
10982724	3401307	Torque wrench cpl.
10983316	3403741	Slotted screw M2x14
10983928	3403862	Threaded pin M6x8
10984783	3403345	Countersunk screw M3x6
10987286	3403744	O-ring 5.00x1.50 N 70
10988720	3403864	Packaging bottle 200ccm
10988768	3403747	Serrated washer M4
10988805	3403748	Operating hour meter
10988872	3403749	TY-HS type plate 38x30
10990123	3403865	Cable fitting M6 brass
10990124	3403866	Swivelling ring
10990125	3403323	Motor Flange
10990126	3403867	Screw
10990127	3403458	Swivelling gear
10990128	3403868	Pressure ring
10990129	3403869	Cover ring
10990130	3403870	Motor ring
10990131	3403459	Swivelling pinion
10990132	3403455	Swivelling shaft
10990134	3403872	Feed unit housing
10990135	3403456	Worm gear
10990136	3403457	Worm gear
10990137	3403873	Cover cable box
10990138	3403874	Bearing cover
10990139	3403875	Sealing cover
10990142	3403454	Drive pinion
10990143	3403876	O-ring 26x2.00 N 70
10990145	3403877	Side part left
10990146	3403878	Side part right
10990147	3403879	Swivelling arm cover
10990148	3403460	Hub gear
10990149	3403603	Blade flange
10990150	3403880	Blade guard guidance
10990151	3403512	Clamping sleeve
10990152	3403448	Hub screw
10990153	3403533	Swivelling arm
10990157	3403461	Intermediate gear
10990158	3403462	Main drive pinion
10990159	3403549	Lock

TYROLIT #	DP #	DESCRIPTION
10990161	3403882	Swivel bearing cover
10990162	3403883	Water cover
10990163	3403884	Sealing cover
10990165	3403885	Feed bearing cover
10990167	3403886	Motor arrestor
10990168	3403453	Drive shaft
10990170	3403887	Sealing ring
10990171	3403888	Distance washer 1.8mm
10990184	3403889	Lining bush
10990185	3403890	Rest bush
10990187	3403520	Slotted gate
10990188	3403891	Spindle
10990190	3403892	Pusher bearing
10990192	3403893	Lock lever
10990193	3403894	Handle
10990194	3403895	Cover
10990197	3403896	Lateral cover
10990198	3403519	Bolt
10990199	3403897	End cover
10990201	3403898	Carriage guide
10990208	3403899	O-ring 48.00x2.00 N 70
10990209	3403900	Fl. Bushing JFM-2528-06
10990210	3403901	Fl. Bushing JFM-1517-12
10990211	3403902	O-ring 21x2.00 N 70
10990212	3403903	Slotted screw M1.6x5
10990770	3403904	Sh. seal A 30/50/7 FPM
10990771	3403759	Spacer disc dia 45
10990794	3403905	O-ring 175.00x2.00 N 70
10990795	3403906	O-ring 224.00x2.00 N 70
10990797	3403907	O-ring 130.00x2.50 N 70
10990818	3403908	Gr. ball bear. 6804-2RS
10990851	3403605	O-ring 56.00x2.00 N 70
10990852	3403909	O-ring 270.00x2.00 N 70
10990854	3403910	Circlip bore dia 100
10990857	3403606	Shaft seal A 90/110/8 NBR
10990858	3403602	Shaft seal A 52/68/8 NBR
10990859	3403819	Shaft seal A 65/80/8 NBR
10990889	3403912	V-seal TWVA 155-165
10990896	3403372	Socket screw flhd M6x30
10990898	3404222	O-ring 30.00x1.50 N 70
10990899	3403502	Circlip shaft dia 5
10990901	3403913	O-ring 50.00x2.00 N 70
10990911	3403595	Gr. ball bearing 16013
10990912	3403820	O-ring 88.00x2.0 N 70
10990913	3403915	O-ring 68.00x2.00 N 70
10990915	3403593	Angular ball bearing 7912
10990916	3403787	Socket screw flhd M4x6
10990917	3403916	Disc spring Ø12.5/6.2x0.7
10990918	3403807	O-ring 34.00x2.00 N 70

TYROLIT #	DP #	DESCRIPTION
10990919	3403917	O-ring 44.00x2.00 N 70
10990922	3403918	Sh. seal A 12/28/7 NBR RF
10990926	3403919	Socket screw flhd M4x12
10990927	3403920	Socket screw flhd M4x8
10990934	3403585	Cable assy drive motor
10990971	3403638	Countersunk screw M5x50
10990977	3403922	Cyl. roller bear. NJ202
10991004	3403923	O-ring 150.0x2.00 N 70
10991025	3403924	Lock pin
10991026	3403925	Center bolt
10991042	3403926	O-ring 12.00x3.00 N 70
10991043	3403927	Pintle
10991046	3403607	O-ring 71.00x1.50 N 70
10991133	3403928	Needle bush HK 2516
10991134	3403808	Treaded pin M4x5
10991250	3403929	Side part l. assy WSE2226
10991251	3403930	Side part r. assy WSE2226
10991295	3403630	Grooved ball bearing 6010
10991301	3403931	Socket screw flhd M4x16
10991309	3403509	Straight pin 4h6 x 20
10991326	3403464	Intermed. gear z33 / z48
10991329	3403933	Drive shaft
10991333	3403467	Drive gear z16
10991334	3403934	Bearing flange
10991335	3403465	Drive gear z21
10991345	3403764	Terminal block 4pole/1mm ²
10991346	3403657	O-ring 140.00x2.00 N 70
10991348	3403766	Socket screw M2x16
10991389	3403463	Driven gear z42
10991401	3403981	O-ring 115.00x3.00 N 70
10991402	3403937	Socket screw flhd M4x20
10991403	3403624	Needle sleeve HK 1516
10991404	3403777	Rotary valve
10991432	3403813	Terminal block 3pole/6mm ²
10991433	3403938	Drain plug M25x1.5
10991434	3403939	Rounded washer M8
10991478	3403586	Mot.cable assy WSE2226 8m
10991480	3403809	Rotor WSE2226 motor
10991481	3403940	Stator WSE2226 motor
10991483	3403941	Four point bearing 74062A
10991793	3403596	Needle cage K15x19x17
10991969	3403338	P2-Motor WSE2226
10991990	3403942	Gear wheel cover
10991991	3403943	Motor rest
10992033	3403823	Geared motor 200W i=32
10992034	3403944	O-ring 14.00x1.50 N 70
10992035	3403945	O-ring 17.00x1.50 N 70
10992036	3403946	Nut M12 special
10992042	3403597	O-ring 5.00x2.0 N 70

TYROLIT #	DP #	DESCRIPTION
10992049	3403947	Sleeve
10992050	3403948	A-flange
10992051	3403802	B-flange
10992052	3403597	Cover
10992053	3403950	Clamp support
10992054	3403951	Sealing ring
10992055	3403772	Gearbox flange
10992057	3403952	Intermediate housing
10992058	3403953	Clutch housing
10992061	3403956	Clutch cover
10992062	3403957	Clutch shaft
10992117	3403522	Pulling bolt
10992118	3403548	Lever
10992120	3403960	Socket screw M5x140
10992121	3403961	Socket screw M8x65 12.9
10992122	3403336	Socket screw flhd M5x40
10992194	3403962	Sh. seal A 20/28/7 NBR RF
10992266	3403129	Shimring dia 20 / 28x1.0
10992277	3403963	Bow-type handle
10992292	3403964	Cable sleeve 12x20x3 DA
10992295	3403965	Sh. seal A 17/32/7 NBR RF
10992297	3403966	Spacer disc dia 26
10992304	3403967	Pr. spring 6.3/1.0x30.5
10992386	3403968	O-ring 175.00x2.50 N 70
10992387	3403969	Pin
10992388	3403812	Pr. spring 5.0/0.63x26
10992406	3403822	Geared motor 200W i=21
10992419	3403970	Gr. ball bear. 6301-2RS
10992521	3403628	Needle bearing NA 4902
10992544	3403971	Straight pin 8h6 x 20
10992710	3403803	Coiled spring pin 4x10 hy
10992711	3403972	Shim ring dia 45/57x0.5
10992960	3403617	O-ring 155.00x2.00 N 70
10992961	3403614	O-ring 160.00x2.00 N 70
10992962	3403625	O-ring 110.00x2.00 N 70
10992963	3403974	Pr. spring 5.8/0.8x17.5
10993113	3403598	O-ring 97.00x2.00 N 70
10993827	3403975	Socket screw flhd M5x8
10993832	3403976	Straight pin 5h6 x 14
10994203	3403977	O-ring 74.00x3.00 N 70
10994314	3408000	Cover cap
10994672	3408185	Straight pin 6h6 x 32
10996324	3403523	Overload clutch EAS-6.01
10997595	3403127	Oil-ring
10997596	3403128	Oil-spindle
10998160	3403126	Protective plate
10998551	3403119	Shifting collar
10998552	3403120	Selector shaft
10998553	3403121	Selector arm

TYROLIT #	DP #	DESCRIPTION
10998554	3401817	Indexing pin
10998556	3403122	O-ring 6.00x1.00 N 70
10998641	3403125	Zyl.Stift RF 3H8 X 40
10998642	3403123	Control button
10998828	3401837	Handle
10998829	3401838	Hook
10998830	3401839	Pawl
10998831	3401833	Counterhold
10998832	3408137	Joint lever
10998836	3401834	Bolt
10998867	3401745	Screw M6x40
10999216	3408186	Shaft collar
10999289	3401832	Support QC
10999291	3408141	Quick tensioner
10999293	3408140	Shaft
10999295	3404331	Straight pin 6h6 x 18
10999633	3408187	Gr. ball bear. 6006-2Z
11000240	3408188	Drain plug w/magnet 1/4
11000512	3408189	Blade Flange univ.
11000549	3403130	Ang. ball bear. 3005
11004002	3408190	Gearshift wheel z22
11004685	3408191	Lever
11004687	3408192	Fork pusher
11004688	3408193	Handle core
11004733	3408194	Screw
11004734	3408195	Rotary handle
11004736	3402253	Lever
11004737	3402254	Clutch shaft
11004829	3402255	Circlip dia 5
11004839	3401829	Reset fork
11005389	3408196	Washer dia 22/15x0.8mm
11007401	3408197	Terminal block 5 pole plug

EQUIPMENT AND PARTS WARRANTY

Diamond Products warrants all equipment manufactured by it against defects in workmanship or materials for a period of 1 year from the date of shipment to Customer. The responsibility of Diamond Products under this Warranty is limited to replacement or repair of defective parts at Diamond Products' Elyria, Ohio factory, or at a point designated by it, of such parts as shall appear to us upon inspection at such parts, to have been defective in material or workmanship, with expense for transportation and labor borne by Customer. In no event shall Diamond Products be liable for consequential or incidental damages arising out of the failure of any Product to operate properly.

THIS WARRANTY IS IN LIEU OF ALL OTHER WARRANTIES, EXPRESSED OR IMPLIED, AND ALL SUCH OTHER WARRANTIES ARE HEREBY DISCLAIMED.



333 Prospect Street, Elyria, Ohio 44035
(440) 323-4616 • (800) 321-5336 • Fax (800) 634-4035
www.diamondproducts.com